

IBM i
Version 7.2

Networking
File Transfer Protocol



Note

Before using this information and the product it supports, read the information in [“Notices” on page 157.](#)

This document may contain references to Licensed Internal Code. Licensed Internal Code is Machine Code and is licensed to you under the terms of the IBM License Agreement for Machine Code.

© **Copyright International Business Machines Corporation 1998, 2013.**

US Government Users Restricted Rights – Use, duplication or disclosure restricted by GSA ADP Schedule Contract with IBM Corp.

Contents

FTP on IBM® i.....	1
What's new for IBM i 7.2.....	1
PDF file for File Transfer Protocol.....	1
Scenarios: FTP.....	1
Scenario: Transferring a file from a remote host.....	2
Scenario: Securing FTP with SSL.....	3
Configuration details.....	4
Creating and operating a local CA on the MyCo system.....	4
IBM i FTP: Enabling SSL for MyCo's FTP server.....	5
Exporting a copy of MyCo's local CA certificate to a file.....	6
Creating an *SYSTEM certificate store on TheirCo's system.....	6
Importing MyCo's local CA certificate into TheirCo's *SYSTEM certificate store.....	6
Specifying MyCo's local CA as a trusted CA for TheirCo's FTP client.....	7
Configuring the FTP server on IBM i.....	7
Configuring FTP server in System i Navigator.....	8
Configuring FTP servers for graphical FTP clients and Web tools.....	8
File and directory entries in IBM i format.....	9
File and directory entries in UNIX-style format.....	9
Configuring anonymous FTP.....	11
Preparing for anonymous FTP.....	12
Writing exit programs for anonymous FTP.....	13
Creating an IBM i user profile: ANONYMOUS.....	14
Creating a public library or directory.....	14
Installing and registering exit programs.....	14
Installing exit programs.....	15
Registering exit programs.....	15
Securing FTP on IBM i.....	15
Preventing FTP server access on IBM i.....	16
Preventing the FTP server from starting automatically on IBM i.....	16
Preventing access to FTP ports on IBM i.....	16
Controlling FTP access on IBM i.....	17
Using SSL to secure the FTP server on IBM i.....	18
Creating a local CA on IBM i.....	19
Associating a certificate with the FTP server on IBM i.....	19
Requiring client authentication for the FTP server.....	20
Enabling SSL on the FTP server.....	21
Securing FTP clients with TLS or SSL.....	21
Securing FTP with Kerberos authentication.....	23
Managing access using FTP exit programs.....	25
Managing access using System i Navigator.....	26
Monitoring incoming FTP users.....	26
Managing the FTP server.....	27
Starting and stopping the FTP server.....	27
Setting the number of available FTP servers.....	27
Improving FTP server performance with configurable subsystem support.....	28
Using the FTP client on the IBM i platform.....	28
Starting and stopping a client session.....	28
Server timeout considerations.....	32
Transferring files with FTP.....	32
Running FTP in unattended mode using a batch job on IBM i.....	33
Simple example: Batch FTP.....	33

Complex example: Batch FTP.....	35
Example: Creating a CL program to start FTP.....	35
Example: Creating the FTP input file (FTCPDMS).....	36
Example: CL program for submitting the FTPBATCH job.....	38
Example: Checking the FTP output file for errors.....	38
FTP reference information.....	41
FTP server subcommands on i5/OS.....	41
FTP client subcommands on IBM i.....	60
FTP exit programs.....	95
Request validation exit point: client and server.....	96
Example: FTP client or server Request Validation exit program in CL code.....	97
Example: FTP Server Request Validation exit program in ILE RPG code.....	99
VLRQ0100 exit point format.....	103
FTP server logon exit point.....	107
Example: FTP Server Logon exit program in CL code.....	109
Example: FTP Server Logon exit program in C code.....	110
Example: FTP Server Logon exit program in ILE RPG code.....	117
TCPL0100 exit point format.....	119
TCPL0200 exit point format.....	123
TCPL0300 exit point format.....	127
Removing exit programs.....	130
Data transfer methods.....	131
Transferring files that contain packed decimal data between IBM i platforms.....	131
Transferring *SAVF files.....	132
Transferring QDLS documents.....	133
Transferring root, QOpenSys, QDLS, and QOPT files.....	133
Transferring files using QfileSvr.400.....	133
Transferring QSYS.LIB files.....	134
Receiving text files to QSYS.LIB.....	137
Considerations for creating files before transferring them into QSYS.LIB.....	137
CCSID conversions.....	137
Specifying mapping tables.....	137
CCSID code page tagging for IBM i files.....	138
NLS considerations for FTP.....	139
File systems and naming conventions.....	140
IBM i file systems that are supported by FTP.....	141
Status messages from the FTP server.....	141
FTP server syntax conventions.....	143
FTP client syntax conventions.....	144
Enclosing subcommand parameters.....	144
File names for client-transfer subcommands.....	145
Naming files for transfer.....	147
Troubleshooting File Transfer Protocol.....	149
Determining problems with FTP.....	149
Materials required for reporting FTP problems.....	151
Tracing the FTP server.....	151
Tracing the FTP client.....	154
Working with FTP server jobs and job log.....	155
Notices.....	157
Programming interface information.....	158
Trademarks.....	158
Terms and conditions.....	159

File Transfer Protocol

You can set up your IBM i system to send, receive, and share files across networks by using File Transfer Protocol (FTP). You can also rename, add, and delete files across a network using FTP. Before you set up your system to transfer files, you must have TCP/IP configured and started on your system.

Note: By using the code examples, you agree to the terms of the [Code license and disclaimer information](#).

What's new for IBM i 7.2

This topic highlights changes to the File Transfer Protocol for IBM i 7.2

Kerberos is implemented for both FTP server and client

New security mechanism Kerberos is introduced for both FTP server and client which allows FTP support Single Sign-On (SSO)

[“Securing FTP with Kerberos authentication” on page 23](#)

Some few Kerberos related arguments are introduced for CL STRTCPFTP

PDF file for File Transfer Protocol

You can view and print a PDF file of this information.


To view or download the PDF version of this document, select [FTP](#) (about 1636 KB).

Saving PDF files

To save a PDF on your workstation for viewing or printing:

1. Right-click the PDF link in your browser.
2. Click the option that saves the PDF locally.
3. Navigate to the directory in which you want to save the PDF.
4. Click **Save**.

Downloading Adobe Reader

You need Adobe Reader installed on your system to view or print these PDFs. You can download a free copy from the [Adobe Web site](http://www.adobe.com/products/acrobat/readstep.html) (www.adobe.com/products/acrobat/readstep.html) .

Scenarios: File Transfer Protocol

The File Transfer Protocol (FTP) scenarios demonstrate how FTP is configured and used in the IBM i environment. The scenarios help you understand how FTP works and how you can use an FTP environment in your network.

These scenarios introduce fundamental FTP concepts from which beginners and experienced users can benefit before they proceed to the planning and configuration tasks.

Scenario: Transferring a file from a remote host

The scenario shows how to use basic functions of File Transfer Protocol (FTP) to get files from a remote host. In this scenario, the client and the server are both using i5/OS FTP.

Situation

Suppose that a colleague developed Java™ files on a remote system. As a system engineer, you need to transfer the `example.jar` file from the remote system to your local test system.

Objectives

Use FTP to transfer the file across a TCP/IP network.

Details

To transfer the file, two connections are used: the control connection and the data connection. The control connection is used to send subcommands from the client to the server and receive responses to those commands from the server to the client. The client initiates FTP commands to the FTP server. The data connection is used to transfer the actual files. Both the client and the server interface with the IBM i file system.

To transfer files, you need a user ID on both systems. Here are the system requirements:

- System running IBM i
- IBM TCP/IP Connectivity Utilities for IBM i (5770-TC1)
- FTP server configured

To transfer files, you also need to know the following information:

- Host name of the remote system
- Your user name and password on the remote system
- Name of the file to transfer
- Location of the file to transfer
- File format (format that you must transfer the file in, such as binary or ASCII)

Configuration tasks

You need to complete the following tasks to perform a simple file transfer:

Note: You can also transfer files automatically by using FTP as a batch job.

1. Start your FTP client session. For this scenario, in the character-based interface, type `STRTCPFTP` and press Enter.
2. Specify the name of the remote system to which you want to send the file.
For this scenario: `theirco.com`.
3. Specify your user name for the remote system.

```
Enter login ID (yourid):  
===>yourid
```

4. Specify your password for the remote system.

```
Enter password:  
===>yourpassword
```

5. Locate the directory on the TheirCo system from which you want to transfer the file. For this scenario:
===>`cd /qibm/userdata/os400/dirserv/usertools/windows`

6. Navigate to the directory on the local system to which you want to transfer the file. For this scenario:

```
===>lcd /qibm/userdata/os400/dirserv/usrtools/windows
```

7. Specify file type, ASCII or BINARY. Default file type is ASCII. For a .jar file, you must switch the file transfer type to binary.

```
For this scenario: ===> BINARY
```

8. Request a file transfer from the remote server system to the client system.

```
For this scenario: ===> get example.jar
```

9. When finished, Exit from FTP.

```
For this scenario: ===> QUIT
```

Related tasks

Transferring files with File Transfer Protocol

You can send and receive files with File Transfer Protocol (FTP).

Related reference

Running File Transfer Protocol in unattended mode using a batch job

In addition to running the FTP client interactively, you can run the FTP client in an unattended mode. This topic provides a simple example and a complex example of the batch FTP method.

Starting and stopping a client session

After you obtain a logon ID and password to a remote File Transfer Protocol (FTP) server, you can start a client session with that FTP server. You can end the client session using the QUIT FTP subcommand.

ASCII (Change File Type to ASCII)

The ASCII IBM i FTP client subcommand sets the file transfer type to ASCII format.

BINARY (Set Transfer Type to Image)

The BINARY IBM i FTP client subcommand sets the file transfer type to BINARY format.

Scenario: Securing File Transfer Protocol with Secure Sockets Layer

The scenario shows how to transfer data to your partner company by using Secure Sockets Layer (SSL).

With SSL, the File Transfer Protocol (FTP) client and server on IBM i platforms can communicate in a way that is designed to prevent eavesdropping, tampering, and message forgery.

Situation

Suppose that you work for MyCo, a company that researches startup companies and sells the research to companies in the investment planning industry. One such company, TheirCo, needs the services that MyCo provides, and would like to receive research reports through FTP. MyCo always ensures the privacy and security of the data it disperses to its customers--whatever the format. In this case, MyCo needs SSL-secured FTP sessions with TheirCo.

Objectives

The following items are your objectives in this scenario:

- Create and operate a local certificate authority (CA) on the MyCo system.
- Enable SSL for MyCo's FTP server.
- Export a copy of MyCo's local CA certificate to a file.
- Create an *SYSTEM certificate store on TheirCo's system.
- Import MyCo's local CA certificate into TheirCo's *SYSTEM certificate store.
- Specify MyCo's local CA as a trusted CA for TheirCo's FTP client.

Prerequisites

MyCo

- A IBM i product is running the IBM i operating system.
- The IBM TCP/IP Connectivity Utilities for IBM i (5770-TC1) is installed on the system.
- The IBM Digital Certificate Manager (DCM) (5770-SS1 option 34) is installed on the system.
- The IBM HTTP Server (5770-DG1) is installed on the system.
- The system uses certificates to protect access to public applications and resources.

TheirCo

- A IBM i product is running the IBM i operating system.
- The TCP/IP Connectivity Utilities for i5/OS (5770-TC1) is installed on the system.
- The IBM Digital Certificate Manager (5770-SS1 option 34) is installed on the system.
- The IBM HTTP Server (5770-DG1) is installed on the system.
- The system uses an IBM i operating system with a TCP/IP FTP client for FTP sessions.

Details

TheirCo uses an i5/OS operating system with an FTP client to request a secure FTP file transfer from MyCo's FTP server. The server is authenticated. TheirCo receives financial reports from MyCo by using an SSL-secured FTP session.

Related concepts

[Securing FTP clients with Transport Layer Security or Secure Sockets Layer](#)

You can use Transport Layer Security (TLS) or Secure Sockets Layer (SSL) connections to encrypt data transferred over File Transfer Protocol (FTP) control and data connections.

Related tasks

[Managing public Internet certificates for SSL communications sessions](#)

[Starting Digital Certificate Manager](#)

Related information

[Scenario: Using certificates for external authentication](#)

Configuration details

In order to secure File Transfer Protocol (FTP) with Secure Sockets Layer (SSL), you need to configure the systems using FTP, including working with the certificate authority (CA), enabling SSL, and so on.

In this scenario, both MyCo and TheirCo need to complete a series of tasks to secure their FTP sessions with SSL.

Creating and operating a local certificate authority on the MyCo system

This scenario assumes that MyCo has not used Digital Certificate Manager (DCM) previously to set up certificates for its system. Based on the objectives for this scenario, MyCo has chosen to create and operate a local certificate authority (CA) to issue a certificate to the File Transfer Protocol (FTP) server.

Note: Instead of creating and operating a local CA, MyCo can also use DCM to configure the FTP server to use a public certificate for SSL.

When using DCM to create a local CA, you are guided through a process that ensures you configure everything needed to enable Secure Sockets Layer (SSL).

MyCo uses the following steps to create and operate a local CA on its system, using the DCM:

1. Start IBM DCM. If you need to obtain or create certificates, or set up or change your certificate system, do so now.

2. In the navigation frame of DCM, select **Create a Certificate Authority (CA)** to display a series of forms. These forms guide you through the process of creating a local CA and completing other tasks needed to begin using digital certificates for SSL, object signing, and signature verification.
3. Complete all the forms that display. There is a form for each of the tasks required to create and operate a local CA on the system.
 - a) Choose how to store the private key for the local CA certificate. This step is included only if you have an IBM 4758-023 PCI Cryptographic Coprocessor installed on your system. If your system does not have a cryptographic coprocessor, DCM automatically stores the certificate and its private key in the local CA certificate store.
 - b) Provide identifying information for the local CA.
 - c) Install the local CA certificate on your PC or in your browser. This enables software to recognize the local CA and validate certificates that the CA issues.
 - d) Choose the policy data for your local CA.
 - e) Use the new local CA to issue a server or client certificate that applications can use for SSL connections. If you have an IBM 4758-023 PCI Cryptographic Coprocessor installed in the system, you can select how to store the private key for the server or client certificate. If your system does not have a coprocessor, DCM automatically places the certificate and its private key in the *SYSTEM certificate store. DCM creates the *SYSTEM certificate store as part of this task.
 - f) Select the applications that can use the server or client certificate for SSL connections.

Note: Be sure to select the application ID for the IBM i TCP/IP FTP server (QIBM_QTMF_FTP_SERVER).
 - g) Use the new local CA to issue an object signing certificate that applications can use to digitally sign objects. This creates the *OBJECTSIGNING certificate store, which you use to manage object signing certificates.

Note: Although this scenario does not use object signing certificates, be sure to complete this step. If you cancel at this point in the task, the task ends and you need to perform separate tasks to complete your SSL certificate configuration.
 - h) Select the applications that you want to trust the local CA.

Note: Be sure to select the application ID for the IBM i TCP/IP FTP server (QIBM_QTMF_FTP_SERVER).

Enabling Secure Sockets Layer for MyCo's FTP server

Now that the File Transfer Protocol (FTP) server has a certificate assigned to it, MyCo needs to configure the FTP server to use Secure Sockets Layer (SSL).

To use System i® Navigator to configure the FTP server, follow these steps:

1. In System i Navigator, expand **your system** > **Network** > **Servers** > **TCP/IP**.
2. Right-click **FTP**.
3. Select **Properties**.
4. Select the **General** tab.
5. Choose the following option for SSL support: **Secure only**.

Select this to allow only SSL sessions with the FTP server. Connections can be made to the non-secure FTP port, but the FTP client must negotiate an SSL session before the user is allowed to log in.

With this task complete, MyCo's FTP server can now use SSL to encrypt communication sessions and protect the privacy of the data transmitted during these sessions. However, to configure the FTP client to participate in an SSL session with the FTP server, MyCo must provide their client, TheirCo, with a copy of the local CA certificate. To do this, MyCo needs to export a copy of the local CA certificate to a file and make the file available to TheirCo. After TheirCo has this file, they can use DCM to import the Local CA certificate into the *SYSTEM certificate store, and configure the IBM i FTP client to use SSL.

Exporting a copy of MyCo's local certificate authority certificate to a file

To enable secure FTP connection between the two systems, MyCo must provide TheirCo with a copy of the local certificate authority (CA) certificate. TheirCo's client application must be configured to trust the CA certificate before it can participate in a Secure Sockets Layer (SSL) session.

MyCo uses the following steps to export a copy of the local CA certificate to a file:

1. Start IBM Digital Certificate Manager (DCM).
If you need to obtain or create certificates, or set up or change your certificate system, do so now.
2. Click **Select a Certificate Store**.
3. Select ***SYSTEM** as the certificate store to open and click **Continue**.
4. When the Certificate Store and Password page displays, provide the password that was specified for the certificate store when it was created, and click **Continue**.
5. After the navigation frame refreshes, select **Manage Certificates**, and then select the **Export certificate** task.
6. Select **Certificate Authority (CA)** and click **Continue** to display a list of CA certificates.
7. Select the MyCo local CA certificate from the list and click **Export**.
8. Specify **File** as the export destination and click **Continue**.
9. Specify a fully qualified path and file name for the exported Local CA certificate and click **Continue** to export the certificate.
10. Click **OK** to exit the Export confirmation page.

Now you can transfer these files to the endpoint systems on which you intend to verify signatures that you created with the certificate. You can use e-mail or FTP to transfer the files because they do not need to be sent securely.

Creating an *SYSTEM certificate store on TheirCo's system

To participate in a Secure Sockets Layer (SSL) session, TheirCo's File Transfer Protocol (FTP) client must be able to recognize and accept the certificate that MyCo's FTP server presents. To authenticate the certificate, TheirCo's FTP client must have a copy of the certificate authority (CA) certificate in the *SYSTEM certificate store.

This scenario assumes that Digital Certificate Manager (DCM) has not been previously used to create or manage certificates. Consequently, TheirCo must create the *SYSTEM certificate store by following these steps:

1. Start IBM DCM.
If you need to obtain or create certificates, or set up or change your certificate system, do so now.
2. In the DCM navigation frame, select **Create New Certificate Store** and select ***SYSTEM** as the certificate store to create and click **Continue**.
3. Select **No** to create a certificate as part of creating the *SYSTEM certificate store and click **Continue**.
4. Specify a password for the new certificate store and click **Continue** to display a confirmation page.
5. Click **OK**.

Importing MyCo's local CA certificate into TheirCo's *SYSTEM certificate store

TheirCo's *SYSTEM certificate store contains a copy of most public certificate authority (CA) certificates. However, because MyCo's File Transfer Protocol (FTP) server uses a certificate from a local CA, TheirCo's FTP client must obtain a copy of the local CA certificate and import it into the *SYSTEM certificate store.

TheirCo uses these steps to import the local certificate authority certificate into the *SYSTEM certificate store and specify that it is a trusted source for certificates:

1. In the DCM navigation frame, click **Select a Certificate Store** and select ***SYSTEM** as the certificate store to open.
2. When the Certificate Store and Password page displays, provide the password that was specified for the certificate store when it was created, and click **Continue**.
3. After the navigation frame refreshes, select **Manage Certificates** to display a list of tasks.

4. From the task list, select **Import certificate**.
5. Select **Certificate Authority (CA)** as the certificate type and click **Continue**.
6. Specify the fully qualified path and file name for the CA certificate file and click **Continue**. A message displays that either confirms that the import process succeeded or provide error information if the process failed.

Specifying MyCo's local CA as a trusted CA for TheirCo's FTP client

Before TheirCo can use the File Transfer Protocol (FTP) client to make secure connections to the MyCo FTP server, TheirCo must use Digital Certificate Manager (DCM) to specify which certificate authorities (CA) the client should trust. This means that TheirCo must specify that the local CA certificate that was imported previously is to be trusted.

TheirCo uses the following steps to specify that their FTP client should trust MyCo's local CA certificate:

1. Start DCM.
2. Click **Select a Certificate Store** and select *SYSTEM as the certificate store to open.
3. When the Certificate Store and Password page displays, provide the password that was specified for the certificate store when it was created, and click **Continue**.
4. In the navigation frame, select **Manage Applications** to display a list of tasks.
5. From the task list, select **Define CA trust list**.
6. Select **Client** as the type of application for which you want to define the list and click **Continue**.
7. Select the i5/OS TCP/IP FTP client application (QIBM_QTMF_FTP_CLIENT) from the list and click **Continue** to display a list of CA certificates.
8. Select MyCo's local CA certificate that was imported previously and click **OK**. DCM displays a message to confirm the trust list selection.

With these steps complete, MyCo's FTP server can establish an SSL session with TheirCo's FTP client and server.

Related information

[Securing FTP clients with TLS or SSL](#)

Configuring the File Transfer Protocol server

You can configure your File Transfer Protocol (FTP) server to work with graphical FTP clients, Web browsers, and Web tools.

The TCP/IP Connectivity Utilities licensed program comes with TCP/IP FTP servers configured. When you start TCP/IP, the FTP server starts simultaneously. Before you configure an FTP server on the Internet, you need to review these safeguards to protect your data:

- Use a firewall between your system and the Internet.
- Use a nonproduction system for your FTP server.
- Do not attach the FTP server to the rest of your company's Local Area Networks (LANs) or Wide Area Network (WANs).
- Use FTP exit programs to secure access to the FTP server.
- Test FTP exit programs once a month to ensure that they do not contain security loopholes.
- Do not allow anonymous FTP users to have read and write access to the same directory. This permits the anonymous user to be untraceable on the Internet.
- Log all access to your FTP server and review the logs daily or weekly for possible attacks.
- Verify that the correct exit programs are registered for the FTP server once a month.
- Review the Secure FTP topic for information about securing your FTP server.

Related reference

[Securing File Transfer Protocol](#)

You can protect your data by securing FTP with Secure Sockets Layer (SSL), monitoring File Transfer Protocol (FTP) users, and managing user access to FTP functions.

Configuring File Transfer Protocol server in System i Navigator

System i Navigator provides a graphical user interface (GUI) from which you can configure and manage the IBM i File Transfer Protocol (FTP) server.

To access the GUI for FTP in System i Navigator, follow these steps:

1. From System i Navigator, expand **your system** > **Network** > **Servers** > **TCP/IP**.
2. In the right pane, right-click **FTP** and select **Properties**.
3. From here, you can change the properties for your FTP server. You can view the online help by clicking the help button. To obtain help for a specific field, click the question mark button, and then click that field.

Related tasks

[Starting and stopping the File Transfer Protocol server](#)

You can start and stop the File Transfer Protocol (FTP) server by using System i Navigator.

Configuring FTP servers for graphical FTP clients and Web tools

File Transfer Protocol (FTP) servers on the IBM i operating system support graphical FTP clients, Web browsers, and other Web tools. Because most graphical FTP clients use the UNIX-style format as their list format and path file as their file name format, you need to configure your FTP server to support these formats.

To use the supported formats, follow these instructions to set the FTP server properties

1. From System i Navigator, expand **your system** > **Network** > **Servers** > **TCP/IP**.
2. In the right pane, right-click **FTP** and select **Properties**.
3. On the **Properties** page, click the **Initial Formats** tab.
 - Enable **Path** as the File Naming Format.
 - Enable **UNIX list format** as the File List Format.

Note: You can control the LISTFMT and NAMEFMT settings for specific FTP sessions using an exit program for the TCPL0200 format or TCPL0300 format of the FTP server logon exit point.

You can also change the list format *after* an FTP session is in progress with options for the FTP server SITE (Send Information Used by a Server System) subcommand. These settings control the results returned by the LIST (File List) and NLST (Name List) FTP server subcommands.

Related reference

[TCPL0200 exit point format](#)

The exit point for File Transfer Protocol (FTP) Server Logon is QIBM_QTMF_SVR_LOGON. TCPL0200 is one of the interfaces that controls the parameter format for these exit points. This topic discusses the parameters of the TCPL0200 exit point format.

[TCPL0300 exit point format](#)

The exit point for File Transfer Protocol (FTP) Server Logon is QIBM_QTMF_SVR_LOGON. The exit point for Remote Execution Protocol (REXEC) Server Logon is QIBM_QTMX_SVR_LOGON. TCPL0300 is one of the interfaces that controls the parameter format for these exit points. This topic discusses the parameters of the TCPL0300 exit point format.

[SITE \(Send Information Used by a Server System\)](#)

The SITE IBM i FTP server subcommand sends information or provides services that are used by the FTP server.

[LIST \(File List\)](#)

The LIST IBM i FTP server subcommand displays a list of directory entries, library contents, or files in a file group.

[NLST \(Name List\)](#)

The NLST IBM i FTP server subcommand displays names of multiple files, a file group, a directory, or a library.

File and directory entries in IBM i format

System i clients support listing the files on a File Transfer Protocol (FTP) server in both the IBM i format and the format specific to UNIX. This topic discusses the IBM i format.

Here is the original IBM i style format for the LIST subcommand (when LISTFMT=0):

```
owner size date time type name
```

A blank space separates each field.

This is a description of each field:

owner

The 10-character string that represents the user profile which owns the subject. This string is left-aligned, and includes blanks. This field is blank for anonymous FTP sessions.

size

The 10-character number that represents the size of the object. This number is right-aligned, and includes blanks. This field is blank when an object has no size associated with it.

date

The 8-character modification date in the format that is defined for the server job. It uses date separators that are defined for the server job. This modification date is left-aligned, and it includes blanks.

time

The 8-character modification time that uses the time separator, which the server job defines.

type

The 10-character i5/OS object type.

name

The variable length name of the object that follows a CRLF (carriage return, line feed pair). This name can include blanks.

Here is an example of the original IBM i style format:

```
BAILEYSE      5263360 06/11/97 12:27:39 *FILE      BPTFSAVF
```

Related reference

[File and directory entries in UNIX-style format](#)

When listing files and directories on a File Transfer Protocol (FTP) server, IBM i clients list the files in both the IBM i format and the UNIX-style format. This topic discusses the UNIX format.

[SITE \(Send Information Used by a Server System\)](#)

The SITE IBM i FTP server subcommand sends information or provides services that are used by the FTP server.

[LIST \(File List\)](#)

The LIST IBM i FTP server subcommand displays a list of directory entries, library contents, or files in a file group.

[NLST \(Name List\)](#)

The NLST IBM i FTP server subcommand displays names of multiple files, a file group, a directory, or a library.

File and directory entries in UNIX-style format

When listing files and directories on a File Transfer Protocol (FTP) server, IBM i clients list the files in both the IBM i format and the UNIX-style format. This topic discusses the UNIX format.

Here is the UNIX-style format for the LIST subcommand (when LISTFMT=1):

```
mode links owner group size date time name
```

A blank space separates each field.

This is a description of each field in the UNIX-style format:

mode

You can use 10 characters. Each character has a specific meaning.

The first character	Meaning
d	The entry is a directory.
b	The entry is a block special file.
c	The entry is a character special file.
l	The entry is a symbolic link. Either the -N flag was specified, or the symbolic link did not point to an existing file.
p	The entry is a first-in, first-out (FIFO) special file.
s	The entry is a local socket.
-	The entry is an ordinary file.

The next nine characters divide into three sets of three characters each. The three characters in each set indicate, respectively, read, write, and execute permission of the file. With execute permission of a directory, you can search a directory for a specified file. Indicate permissions like this: The first set of three characters show the owner's permission. The next set of three characters show the permission of the other users in the group. The last set of three characters shows the permission of anyone else with access to the file.

The first character	Function
r	read
w	write (edit)
x	execute (search)
-	corresponding permission not granted

links

The number of links to the object. The minimum number of characters is 3. The maximum number of characters is 5. The characters are right justified, and they include blanks.

owner

The owner of the object. The minimum number of characters is 8. The maximum number of characters is 10. The characters are left justified, and they include blanks. This field contains the user profile name of the object owner. However, for anonymous FTP sessions, this field contains the owner ID number.

group

The owner of the object. The minimum number of characters is 8. The maximum number of characters is 10. The characters are left justified, and they include blanks. This field contains the user profile name of the group. However, if there is no group, this field contains the group ID number. The field also contains the group ID number for an anonymous FTP session.

size

The size of the object. The minimum number of characters is 7. The maximum number of characters is 10. The characters are right-aligned, and they include blanks. When there is no size for the object, the default is zero.

datetime

The 12 character modification time. The characters are left-aligned, and they include blanks. This is the format of this field when the modification time is within the previous 180 days:

```
Mmm dd hh:mm
```

This is the format of this field when the modification time is not within the previous 180 days:

```
Mmm dd yyyy
```

Here is the description of each field.

Characters	Meaning
Mmm	Abbreviated month.
dd	Two character day of the month. The characters are right justified and padded with blanks.
hh	Two-digit hour (00-23). The digits are right justified and padded with zeros.
mm	Two-digit minute (00-59). The digits are right justified and padded with zeros.
yyyy	Four-digit year.

name

The variable length name of the object, which precedes a CRLF (carriage return, line feed pair). The name may include blanks.

Here is an example of the UNIX style format:

```
d1wx1wx1wx 4 QSYS 0 51200 Feb 9 21:28 home
```

Consider this information as you work with UNIX format data that is returned by the LIST subcommand: When LISTFMT=1, the LIST content varies for QSYS.LIB files depending on the NAMEFMT setting:

- When NAMEFMT=1, you will see only the QSYS.LIB file names.
- When NAMEFMT=0, you will see both the QSYS.LIB file names and the names of the members in the file or files.

Related reference

[File and directory entries in IBM i format](#)

System i clients support listing the files on a File Transfer Protocol (FTP) server in both the IBM i format and the format specific to UNIX. This topic discusses the IBM i format.

[SITE \(Send Information Used by a Server System\)](#)

The SITE IBM i FTP server subcommand sends information or provides services that are used by the FTP server.

[LIST \(File List\)](#)

The LIST IBM i FTP server subcommand displays a list of directory entries, library contents, or files in a file group.

[NLST \(Name List\)](#)

The NLST IBM i FTP server subcommand displays names of multiple files, a file group, a directory, or a library.

Configuring anonymous File Transfer Protocol

Anonymous File Transfer Protocol (FTP) enables remote users to use the FTP server without an assigned user ID and password.

Anonymous FTP enables unprotected access (no password required) to selected information about a remote system. The remote site determines what information is made available for general access. Such information is considered to be publicly accessible and can be read by anyone. It is the responsibility of

the person who owns the information and the system to assure that only appropriate information is made available.

To access this information, a user logs on to the hosts using the user ID ANONYMOUS. The user ANONYMOUS has limited access rights to the files on the FTP server and has some operating restrictions. Typically, the following operations are only operations allowed.

- Logging on using FTP
- Listing the contents of a limited set of directories
- Retrieving files from these directories.

Typically, anonymous users are not allowed to transfer files to the FTP server. Some systems do provide an incoming directory for anonymous users to send data to. Traditionally, the special anonymous user account accepts a string as a password, although it is common to use either the password *guest* or one's e-mail address. Some archive sites explicitly ask for the user's e-mail address and do not allow logon with the guest password. Providing an e-mail address is a courtesy that allows the archive site operators to get some idea of who is using their services.

Anonymous FTP on the IBM i operating system

The File Transfer Protocol (FTP) server does not use anonymous FTP. To set up anonymous FTP on the IBM i operating system, you need to provide exit programs for the FTP server logon exit point and the FTP Request Validation exit point.

You might want to provide anonymous FTP because it is a convenient and often necessary service. However, using anonymous FTP raises security concerns for the system.

Related concepts

Managing access using File Transfer Protocol exit programs

You can provide additional security by adding FTP exit programs to the File Transfer Protocol (FTP) server and client exit points so that you can further restrict FTP access to your system.

Controlling File Transfer Protocol access

If you are using File Transfer Protocol (FTP), you need to control users to protect your data and network. This topic offers tips and security considerations.

Related reference

FTP server logon exit point

You can control the authentication to a TCP/IP application server with the TCP/IP Application Server Logon exit point. This exit point allows FTP server access based on the originating session's address. It also allows you to specify an initial working directory that is different from those that are in the user profile.

Preparing for anonymous File Transfer Protocol

To set up your anonymous File Transfer Protocol (FTP), you need to be aware of certain security considerations.

Skill requirements

To set up anonymous FTP, you need the following skills:

- Familiarity with the IBM i character-based interface and commands with multiple parameters and keywords.
- Ability to create libraries, members, and source physical files on your system (you should have at least *SECOFR authority).
- Ability to assign authorities to libraries, files, members, and programs.
- Ability to write, change, compile, and test programs on your system.

Security considerations

The first step in implementing anonymous FTP is to define your anonymous FTP server site policy. This plan defines the FTP site security and determines how to code your exit programs. Because the FTP server will allow anyone to access your data, you must carefully consider how you want it to be used, and what data must be protected.

Review the following guidelines for your FTP site policy plan:

- Use a firewall between your system and the Internet.
- Use a nonproduction system for your FTP server.
- Do not attach the FTP server to the rest of your company's LANs or WANs.
- Use FTP exit programs to secure access to the FTP server.
- Test FTP exit programs to ensure that they do not contain security loopholes.
- Do not allow anonymous FTP users to have read and write access to the same directory. This permits the anonymous user to be untraceable on the Internet.
- Allow ANONYMOUS access only. Do not allow any other user IDs and do not authenticate passwords.
- Restrict ANONYMOUS access to one public library or directory only. (Where will it be? What will you call it?)
- Place only public access files in the public library or directory.
- Restrict ANONYMOUS users to 'view' and 'retrieve' subcommands only (get, mget). **Do not under any circumstances allow ANONYMOUS users to use CL commands.**
- Log all access to your FTP server.
- Review FTP server logs daily or weekly for possible attacks.
- Verify that the FTP server registers the correct exit programs once a month.
- Test the FTP server for security holes once a month.

Writing exit programs for anonymous File Transfer Protocol

To use anonymous File Transfer Protocol (FTP) on the IBM i operating system, you need to write two exit programs: FTP Server Logon exit program and FTP Server Request Validation exit program.

The FTP Server Logon exit program enables the ANONYMOUS user ID and forces the ANONYMOUS user to the public library or directory. The FTP Server Request Validation exit program restricts the commands, files, and directories or libraries that the ANONYMOUS user can use.

Exit points and exit point formats

The FTP server communicates with each exit program through a specific exit point. Parameters are passed between the server and the exit program. The format of the exchanged information is specified by an exit point format.

Program	Exit Point	Format
Server logon	QIBM_QTMF_SVR_LOGON	TCPL0100, TCPL0200, or TCPL0300. ¹
Request validation	QIBM_QTMF_SERVER_REQ	VLRQ0100
1 An exit point might have more than one format, but an exit program can only be registered for one of the exit point formats. Examine each of these formats, then choose the one most appropriate for your system.		

Example programs

Example programs are available to help you set up anonymous FTP on your system. You can use these examples as a starting point to build your own programs. By copying portions of the code from the

examples, you can add them to programs that you write yourself. It is suggested that you run the example programs on a system other than your production system.

Note: These examples are for illustration purposes only. They do not contain enough features to run on a production machine as is. Feel free to use them as a starting point, or to use sections of code as you write your own programs.

Related concepts

Request validation exit point: client and server

The request validation exit points can be used to restrict operations which can be performed by FTP users.

Related reference

File Transfer Protocol exit programs

You can use File Transfer Protocol (FTP) exit programs to secure FTP. The FTP server communicates with each exit program through a specific exit point. This topic includes parameter descriptions and code examples.

FTP server logon exit point

You can control the authentication to a TCP/IP application server with the TCP/IP Application Server Logon exit point. This exit point allows FTP server access based on the originating session's address. It also allows you to specify an initial working directory that is different from those that are in the user profile.

Creating an IBM i user profile: ANONYMOUS

To prevent anyone from signing on to the IBM i operating system with the user profile ANONYMOUS directly, you need to create a user profile of ANONYMOUS and assign it a password of *NONE.

To create this profile using System i Navigator, follow these steps:

1. In **System i Navigator**, expand **Users and Groups**.
2. Right-click **All Users** and select **New Users**.
3. On the New Users panel, enter the following information:
 - User name** = ANONYMOUS and
 - Password** = No password.
4. Click the **Jobs** button and select the General tab.
5. On the General tab, assign the current library and home directory that the anonymous user should use.
6. Click **OK** and complete any other settings.
7. Click **Add** to create the profile.

Creating a public library or directory

After creating anonymous users, you might want to create a public library or directory for them to use. Typically anonymous users should only be able to access public files.

It is suggested that you restrict anonymous users to a single library or a single directory tree, which only contain "public" files.

1. Create the public libraries or directories that will contain files accessible through anonymous File Transfer Protocol (FTP).
2. Load your public libraries or directories with the public access files.
3. Set the public libraries or directories and file authorities to PUBLIC *USE.

Installing and registering exit programs

You can create a library to contain your exit programs and their log files, compile the programs, and register them for use by the File Transfer Protocol (FTP) server.

Related concepts

Managing access using File Transfer Protocol exit programs

You can provide additional security by adding FTP exit programs to the File Transfer Protocol (FTP) server and client exit points so that you can further restrict FTP access to your system.

Related tasks

Removing exit programs

When you no longer need an exit program, you can remove it from the Work with Exit Program display.

Related reference

File Transfer Protocol exit programs

You can use File Transfer Protocol (FTP) exit programs to secure FTP. The FTP server communicates with each exit program through a specific exit point. This topic includes parameter descriptions and code examples.

Installing exit programs

To install exit programs for your IBM i File Transfer Protocol (FTP), you need to create a library to contain the exit programs and their log files, compile your exit programs in the library, and grant PUBLIC *EXCLUDE authority to the library, program, and file objects.

The FTP server application adopts authority when necessary to resolve and call the exit program.

Registering exit programs

You must register your exit programs before the exit programs take effect. Use the Work with Registration Information (WRKREGINF) command to register your exit programs on your IBM i FTP server.

To register your exit programs, follow these steps:

1. At the character-based interface, enter WRKREGINF.
2. Page down to an FTP Server Logon exit point:

```
QIBM_QTMF_SVR_LOGON  TCPL0100
QIBM_QTMF_SVR_LOGON  TCPL0200
QIBM_QTMF_SVR_LOGON  TCPL0300
QIBM_QTMF_SERVER_REQ  VLRQ0100
```

3. Enter 8 in the Opt field to the left of the exit point entry and press Enter.
4. At the Work with Exit Programs display, enter a 1(add).
5. Enter the name of the exit program in the Exit Program field.
6. Enter the name of the library that contains the exit program in the Library field.
7. Press Enter.
8. End and restart the FTP server to ensure that all FTP server instances use the exit programs.
9. Test your exit programs thoroughly.

Note: Exit programs take effect as soon as the FTP server requests a new FTP session. Sessions that are already running are not affected.

Securing File Transfer Protocol

You can protect your data by securing FTP with Secure Sockets Layer (SSL), monitoring File Transfer Protocol (FTP) users, and managing user access to FTP functions.

If you use your system as an FTP server on the Internet, it is accessible to the entire world. Therefore, attention to FTP security is necessary to ensure that vital business data stored on your system is not compromised.

Related concepts

Configuring the File Transfer Protocol server

You can configure your File Transfer Protocol (FTP) server to work with graphical FTP clients, Web browsers, and Web tools.

Preventing File Transfer Protocol server access

You can block the File Transfer Protocol (FTP) port to disable any FTP access to your system. If you do not want anyone to use FTP to access your system, you should prevent the FTP server from running.

Preventing the File Transfer Protocol server from starting automatically

One way to secure your File Transfer Protocol (FTP) is to prevent the FTP server from starting automatically.

To prevent FTP server jobs from starting automatically when you start TCP/IP, follow these steps:

1. In System i Navigator, expand **your system** > **Network** > **Servers** > **TCP/IP**.
2. Right-click **FTP** and select **Properties**.
3. Deselect **Start when TCP/IP starts**.

Preventing access to File Transfer Protocol ports

One way to secure your File Transfer Protocol (FTP) is to prevent access to FTP ports.

To prevent FTP from starting, and to prevent someone from associating a user application (such as a socket application) with the port that the system normally uses for FTP, follow these steps:

1. In System i Navigator, expand **your system** > **Network** > **Servers** > **TCP/IP**.
2. Right-click **TCP/IP Configuration** and select **Properties**.
3. In the **TCP/IP Configuration Properties** window, click the **Port Restrictions** tab.
4. On the **Port Restrictions** page, click **Add**.
5. On the **Add Port Restriction** page, specify the following information:
 - **User name:** Specify a user profile name that is protected on your system. (A *protected user profile* is a user profile that does not own programs that adopt authority and does not have a password that is known by other users.) By restricting the port to a specific user, you automatically exclude all other users.
 - **Starting port:** 20
 - **Ending port:** 21
 - **Protocol:** TCP
6. Click **OK** to add the restriction.
7. On the **Port Restrictions** page, click **Add** and repeat the procedure for the UDP protocol.
8. Click **OK** to save your port restrictions and close the **TCP/IP Configuration Properties** window.

Notes:

- The port restriction takes effect the next time that you start TCP/IP. If TCP/IP is active when you set the port restrictions, you should end TCP/IP and start it again.
- The Internet Assigned Numbers Authority (IANA) Web site provides information about assigned port numbers at <http://www.iana.org>.
- If ports 20 or 21 are restricted to a user profile other than QTCP, attempting to start the FTP server will cause it to immediately end with errors.
- This method works only for completely restricting an application such as the FTP server. It does not work for restricting specific users. When a user connects to the FTP server, the request uses the QTCP profile initially. The system changes to the individual user profile after the connection is successful. Every user of the FTP server uses QTCP's authority to the port.

Controlling File Transfer Protocol access

If you are using File Transfer Protocol (FTP), you need to control users to protect your data and network. This topic offers tips and security considerations.

If you want to allow FTP clients to access your system, be aware of the following security concerns:

- Your object authority scheme might not provide detailed enough protection when you allow FTP on your system. For example, when a user has the authority to view a file (*USE authority), the user can also copy the file to a PC or to another system. You might want to protect some files from being copied to another system.
- You can use FTP exit programs to restrict the FTP operations that users can perform. You can use the FTP request validation exit to control what operations you allow. For example, you can reject GET requests for specific database files.
- You can use the server logon exit point to authenticate users who log on to the FTP server. Configure anonymous FTP describes how to use exit programs to set up support for anonymous FTP on your system.
- Unless you use Transport Layer Security (TLS) or Secure Sockets Layer (SSL), FTP passwords are not encrypted when they are sent between the client system and the server system. Depending on your connection methods, your system might be vulnerable to password theft through line sniffing.
- If the QMAXSGNACN system value is set to 1, the QMAXSIGN system value applies to TELNET but not to FTP. If QMAXSGNACN is set to 2 or 3 (values which disable the profile if the maximum sign on count is reached), FTP logon attempts are counted. In this case, a hacker can mount a denial of service attack through FTP by repeatedly attempting to log on with an incorrect password until the user profile is disabled.
- For each unsuccessful attempt, the system writes message CPF2234 to the QHST log. You can write a program to monitor the QHST log for the message. If the program detects repeated attempts, it can end the FTP servers.
- You can use the Inactivity timeout (INACTTIMO) parameter on the FTP configuration to reduce the exposure when a user leaves an FTP session unattended. Be sure to read the documentation or online help to understand how the INACTTIMO parameter and the connection timer (for system startup) work together.

Note: The Time-out interval for inactive jobs (QINACTITV) system value does not affect FTP sessions.

- When you use FTP batch support, the program must send both the user ID and the password to the system. Either the user ID and password must be coded in the program, or the program must retrieve them from a file. Both of these options for storing passwords and user IDs represent a potential security exposure. If you use FTP batch, you must ensure that you use object security to protect the user ID and password information. You should also use a single user ID that has limited authority on the target system. It should have only enough authority to perform the function that you want, such as file transfer.
- FTP provides remote-command capability, just as advanced program-to-program communications (APPC) and IBM i Access for Windows do. The RCMD (Remote Command) FTP-server subcommand is the equivalent of having a command line on the system. Before you allow FTP, you must ensure that your object security scheme is adequate. You can also use the FTP exit program to limit or reject attempts to use the RCMD subcommand. FTP exit programs describes this exit point and provides sample programs.
- A user can access objects in the integrated file system with FTP. Therefore, you need to ensure that your authority scheme for the integrated file system is adequate when you run the FTP server on your system.
- A popular hacker activity is to set up an unsuspecting site as a repository for information. Sometimes, the information might be illegal or pornographic. If a hacker gains access to your site through FTP, the hacker uploads this undesirable information to your system. The hacker then informs other hackers of your FTP address. They, in turn, access your system with FTP and download the undesirable information.

You can use the FTP exit programs to protect against this type of attack. For example, you might direct all requests to upload information to a directory that is write-only. This defeats the hacker's objective, because the hacker's friends will not be able to download the information in the directory.

Related concepts

[Configuring anonymous File Transfer Protocol](#)

Anonymous File Transfer Protocol (FTP) enables remote users to use the FTP server without an assigned user ID and password.

Related reference

[FTP server logon exit point](#)

You can control the authentication to a TCP/IP application server with the TCP/IP Application Server Logon exit point. This exit point allows FTP server access based on the originating session's address. It also allows you to specify an initial working directory that is different from those that are in the user profile.

[Running File Transfer Protocol in unattended mode using a batch job](#)

In addition to running the FTP client interactively, you can run the FTP client in an unattended mode. This topic provides a simple example and a complex example of the batch FTP method.

[File Transfer Protocol exit programs](#)

You can use File Transfer Protocol (FTP) exit programs to secure FTP. The FTP server communicates with each exit program through a specific exit point. This topic includes parameter descriptions and code examples.

Related information

[AS/400 Internet Security: Protecting Your AS/400 from HARM in the Internet](#)

Using Secure Sockets Layer to secure the File Transfer Protocol server

With Secure Sockets Layer (SSL) you can eliminate the exposure of transmitting passwords and data in the clear when using the File Transfer Protocol (FTP) server with an FTP client that also uses SSL.

The FTP server provides enhanced security while sending and receiving files over a untrusted network. FTP server uses SSL to secure passwords and other sensitive data during an information exchange. The FTP server supports either SSL or TLS protected sessions, including client authentication and automatic sign-on.

Most SSL-enabled applications connect a client to separate TCP ports, one port for unprotected sessions and the other for secure sessions. However, secure FTP is a bit more flexible. A client can connect to a nonencrypted TCP port (typically TCP port 21), and then negotiate authentication and encryption options. A client can also choose a secure FTP port (typically TCP port 990), where connections are assumed to be SSL. The FTP server provides both of these options.

Before you configure the FTP server to use SSL, you must install the prerequisite programs and set up digital certificates on your system.

Note: Create a local certificate authority (CA) or use Digital Certificate Manager (DCM) to configure the FTP server to use a public certificate for SSL.

Related concepts

[Secure Sockets Layer \(SSL\)](#)

[SSL concepts](#)

[Prerequisite programs](#)

[Securing FTP clients with Transport Layer Security or Secure Sockets Layer](#)

You can use Transport Layer Security (TLS) or Secure Sockets Layer (SSL) connections to encrypt data transferred over File Transfer Protocol (FTP) control and data connections.

Related tasks

[Setting up digital certificates](#)

[Using a public certificate](#)

Creating a local certificate authority

You can use the IBM Digital Certificate Manager (DCM) to create and operate a local certificate authority (CA) on your system. A local CA enables you to issue private certificates for applications that run on your system.

To use DCM to create and operate a local CA on the system, follow these steps:

1. Start IBM Digital Certificate Manager. If you need to obtain or create certificates, or set up or change your certificate system, do so now.
2. In the navigation frame of DCM, select **Create a Certificate Authority (CA)** to display a series of forms. These forms guide you through the process of creating a local CA and completing other tasks needed to begin using digital certificates for SSL, object signing, and signature verification.
3. Complete all the forms that are displayed. There is a form for each of the tasks that you need to perform to create and operate a local CA on the system. By completing these forms, you can do the following actions:
 - a) Choose how to store the private key for the local CA certificate. This step is included only if you have an IBM 4758-023 PCI Cryptographic Coprocessor installed on your system. If your system does not have a cryptographic coprocessor, DCM automatically stores the certificate and its private key in the local CA certificate store.
 - b) Provide identifying information for the local CA.
 - c) Install the local CA certificate on your PC or in your browser. This enables software to recognize the local CA and validate certificates that the CA issues.
 - d) Choose the policy data for your local CA.
 - e) Use the new local CA to issue a server or client certificate that applications can use for SSL connections. If you have an IBM 4758-023 PCI Cryptographic Coprocessor installed on the system, this step allows you to select how to store the private key for the server or client certificate. If your system does not have a coprocessor, DCM automatically places the certificate and its private key in the *SYSTEM certificate store. DCM creates the *SYSTEM certificate store as part of this task.
 - f) Select the applications that can use the server or client certificate for SSL connections.

Note: Be sure to select the application ID for the IBM i FTP Server (QIBM_QTMF_SERVER).
 - g) Use the new local CA to issue an object signing certificate that applications can use to digitally sign objects. This creates the *OBJECTSIGNING certificate store, which you use to manage object signing certificates.

Note: Although this scenario does not use object signing certificates, be sure to complete this step. If you cancel at this point in the task, the task ends and you must perform separate tasks to complete your SSL certificate configuration.
 - h) Select the applications that you want to trust the local CA.

Note: Be sure to select the application ID for the IBM i FTP Server (QIBM_QTMF_SERVER).

Related tasks

[Starting Digital Certificate Manager](#)

[Managing user certificates](#)

[Using APIs to programmatically issue certificates to non-System i users](#)

[Obtaining a copy of the private CA certificate](#)

Associating a certificate with the File Transfer Protocol server

If you did not assign a certificate to the File Transfer Protocol (FTP) server application during the creation of the local certificate authority (CA), or if you have configured your system to request a certificate from a public CA, you need to associate the certificate with the FTP server.

To associate a certificate with your FTP server, follow these steps:

1. Start IBM Digital Certificate Manager. If you need to obtain or create certificates, or otherwise set up or change your certificate system, do so now. See [Configuring DCM](#) for information about setting up a certificate system.

2. Click the **Select a Certificate Store** button.
3. Select ***SYSTEM**. Click **Continue**.
4. Enter the appropriate password for *SYSTEM certificate store. Click **Continue**.
5. When the left navigational menu reloads, expand **Manage Applications**.
6. Click **Update certificate assignment**.
7. On the next screen, select **Server** application. Click **Continue**.
8. Click **i5/OS TCP/IP FTP Server**.
9. Click **Update Certificate Assignment** to assign a certificate to this FTP Server.
10. Select a certificate from the list to assign to the server.
11. Click **Assign New Certificate**.
12. DCM reloads to the **Update Certificate Assignment** page with a confirmation message. When you are finished setting up the certificates for the FTP server, click **Done**.

Related tasks

[Starting Digital Certificate Manager](#)

[Enabling Secure Sockets Layer on the File Transfer Protocol server](#)

Enabling Secure Sockets Layer (SSL) on the File Transfer Protocol (FTP) server provides more security features for your FTP server.

Requiring client authentication for the File Transfer Protocol server

If you need the File Transfer Protocol (FTP) server to authenticate clients, you can change the application specifications in IBM Digital Certificate Manager (DCM). This step is optional.

Note: With the FTP server you can authenticate clients, but you cannot do so with the i5/OS FTP client. You can require client authentication, but it will exclude connections that are for i5/OS FTP clients.

If an FTP client connects and client authentication is enabled for the FTP server, the client must still send a USER subcommand. After the USER subcommand information is sent, the FTP server will check that the user matches the profile associated with the client certificate sent during the SSL handshake. If the user matches the client certificate, no password is needed and the FTP server will log the user onto the system. The USER subcommand is needed because there is no mechanism in the FTP protocol to inform the client that it is logged on without the command.

1. Start IBM Digital Certificate Manager. If you need to obtain or create certificates, or otherwise set up or change your certificate system, do so now. See [Configure DCM](#) for information about setting up a certificate system.
2. Click the **Select a Certificate Store** button.
3. Select ***SYSTEM**. Click **Continue**.
4. Enter the appropriate password for *SYSTEM certificate store. Click **Continue**.
5. When the left navigational menu reloads, expand **Manage Applications**.
6. Click **Update application definition**.
7. On the next screen, select **Server** application. Click **Continue**.
8. Click **i5/OS TCP/IP FTP Server**.
9. Click **Update Application Definition**.
10. In the table that displays, select **Yes** to require client authentication.
11. Click **Apply**.
12. DCM reloads to the **Update Application Definition** page with a confirmation message. When you are finished updating the application definition for the FTP server, click **Done**.

Related tasks

[Starting Digital Certificate Manager](#)

Enabling Secure Sockets Layer on the File Transfer Protocol server

Enabling Secure Sockets Layer (SSL) on the File Transfer Protocol (FTP) server provides more security features for your FTP server.

To enable SSL on the FTP server, follow these steps:

1. In System i Navigator, expand **your system** > **Network** > **Servers** > **TCP/IP**.
2. Right-click **FTP**.
3. Select **Properties**.
4. Select the **General** tab.
5. Choose one of these options for SSL support:

- **Secure only**

Select this option to allow only SSL sessions with the FTP server. Connections can be made to the nonsecure FTP port, but the FTP client must negotiate an SSL session before the user is allowed to log in.

- **Non-secure only**

Select this to prohibit secure sessions with the FTP server. Attempts to connect to an SSL port will not connect.

- **Both secure and non-secure**

Allows both secure and non-secure sessions with the FTP server.

Note: You do not need to restart the FTP server. It dynamically detects that a certificate has been assigned to it. If it does not dynamically detect this change, verify that you have the latest PTFs applied to your system.

Related tasks

[Associating a certificate with the File Transfer Protocol server](#)

If you did not assign a certificate to the File Transfer Protocol (FTP) server application during the creation of the local certificate authority (CA), or if you have configured your system to request a certificate from a public CA, you need to associate the certificate with the FTP server.

Securing FTP clients with Transport Layer Security or Secure Sockets Layer

You can use Transport Layer Security (TLS) or Secure Sockets Layer (SSL) connections to encrypt data transferred over File Transfer Protocol (FTP) control and data connections.

The primary reason for encryption on the control connection is to conceal the password when logging on to the FTP server.

Before using the FTP client to make secure connections to FTP servers, you must use DCM to configure trusted certificate authorities for the FTP client. Any certificate authorities that were used to create certificates assigned to FTP servers that you want to connect to must be added. Exporting or importing certificate authority (CA) certificates might be required depending on the CAs used.

If you choose TLS or SSL encryption for the control connection, the FTP client will also encrypt the data sent on the FTP data connection by default. FTP protocol does not allow you to have a secure data connection without a secure control connection.

Encryption can have a significant performance cost and can be bypassed on the data connection. This allows you to transfer non-sensitive files without decreasing performance and still protect the system's security by not exposing passwords.

The FTP client has parameters for the STRTCPFTP CL command and subcommands which are used as part of the TLS or SSL support (SECOpen and SECData).

Specifying Transport Layer Security or Secure Sockets Layer protection for the IBM i FTP client

Control connection

TLS/SSL protection can be specified on the STRTCPFTP command and the SECOPEN subcommand.

For the STRTCPFTP (FTP) command, specify *SSL for the SECCNN secure connection parameter to request a secure control connection. Also, you might be able to specify *IMPLICIT to obtain a secure connection on a pre-defined server port number.

Within your FTP client session, the SECOPEN subcommand can be used to obtain a secure control connection.

Data connection

For the STRTCPFTP (FTP) command, enter *PRIVATE for the DTAPROT data protection parameter to specify a secure data connection. Enter *CLEAR for the DTAPROT data protection parameter to specify data to be sent without encryption.

When you have a secure control connection, you can use the SECDATA subcommand to change the data connection protection level.

Implicit SSL connection

Some FTP servers support what is called an implicit SSL connection. This connection provides the same encryption protection as the *SSL option, but can only be done on a pre-determined server port, typically 990, for which the server must be configured to expect an SSL or TLS connection negotiation.

This method is provided to allow secure connections to those FTP implementations that cannot support the standard protocol for providing TLS or SSL protection.

Many early implementations of SSL support used the implicit approach, but now it has been deprecated by the IETF.

Note:

The standard protocol for setting up a TLS or SSL connection requires that the AUTH (Authorization) server subcommand be used when the FTP server is being connected. Also, the server subcommands PBSZ and PROT are used to specify the data protection level.

However, for an implicit SSL connection, the AUTH, PBSZ, and PROT server subcommands are not sent to the FTP server. Instead, the server acts as if the client has sent these subcommands with the parameters shown as follows:

- AUTH SSL
- PBSZ 0
- PROT P

Related concepts

[Using Secure Sockets Layer to secure the File Transfer Protocol server](#)

With Secure Sockets Layer (SSL) you can eliminate the exposure of transmitting passwords and data in the clear when using the File Transfer Protocol (FTP) server with an FTP client that also uses SSL.

Related tasks

[Defining a CA trust list for an application](#)

Related reference

[Scenario: Securing File Transfer Protocol with Secure Sockets Layer](#)

The scenario shows how to transfer data to your partner company by using Secure Sockets Layer (SSL). With SSL, the File Transfer Protocol (FTP) client and server on IBM i platforms can communicate in a way that is designed to prevent eavesdropping, tampering, and message forgery.

[Starting and stopping a client session](#)

After you obtain a logon ID and password to a remote File Transfer Protocol (FTP) server, you can start a client session with that FTP server. You can end the client session using the QUIT FTP subcommand.

[SECOpen \(Setting Data Security Protection\)](#)

The SECOpen IBM i FTP client subcommand opens a secure control connection to an FTP server using the specified security option.

[SECData \(Setting Data Security Protection\)](#)

The SECData IBM i FTP client subcommand specifies the protection level to be used for the data connection when a secure control connection is already established with the remote system.

Securing FTP with Kerberos authentication

With Kerberos authentication you can eliminate the exposure of transmitting passwords and data in the clear when using the File Transfer Protocol (FTP) server with an FTP client that also uses Kerberos authentication. Besides the “Kerberized” FTP server, with Enterprise Identity Mapping, is able to support a single sign on environment.

For more information on EIM, See [EIM concepts](#)

For more information on creating a single sign on environment, See [Scenario: Creating a single sign-on test environment](#)

Assuming testsvr.myco.com is the system running IBM i FTP server, testcli.myco.com is the system running IBM i FTP client. KDC is kdc.myco.com, realm is MYCO.COM

To set up a FTP Kerberos environment, you need configure KDC, FTP server system and FTP client system.

Here are the steps to enable FTP Kerberos on KDC:

1. Add service principal “ftp/hostname@realm”

In this case, testsvr.myco.com is the system running IBM i FTP server, you need to add ftp/testsvr.myco.com@MYCO.COM in KDC.

2. Add a user principal

In this case, ibmer/MYCO.COM is added as a new user principal.

Here are the steps to enable FTP Kerberos on the FTP server side:

1. Configure Kerberos using IBM Navigator for i on the FTP server system.

From IBM Navigator for i , expand **Security > All Tasks > Network Authentication Service**, and click the **Configure** task.

In this case, MYCO.COM is added as the default realm, kdc.myco.com is added as the KDC.

Note: Currently, IBM Navigator for i does not support adding FTP key table, the key table has to be added from qshell environment.

2. Add the key table from the qshell environment

- a. enter qshell environment

```
>qsh
```

- b. add key table

```
>keytab add ftp/ testsvr.myco.com@MYCO.COM
```

- c. enter key table password The password must be same as the password of the service principal which you added in KDC.

3. Configure Enterprise Identity Mapping using IBM Navigator for i to enable the mapping between Kerberos user principal and IBM i user account.

From IBM Navigator for i , expand **Network > All Tasks > Enterprise Identity Mapping > Configuration**, and click the **Configure** task.

- a. Choose **create and join a new domain**

- b. Choose **On the local Directory server**

- c. Use the default directory server instance (QUSRDIR)

- d. Select user type **User profile and password**, enter the user name and related password. In this case, we enter an existing user account ibmiuser and related password

- e. Enter the name of Domain and description. In this case, we use EIM_TEST as the domain name

- f. Enter the local system and Kerberos. In this case, local system is testsvr.cn.ibm.com, Kerberos realm is MYCO.COM
- g. Select user type “Distinguished name and password”. In this case, distinguished name and password will be generated automatically.
- h. Create new identifiers

From IBM Navigator for i, expand **Network > All Tasks > Enterprise Identity Mapping**, and click **Domain Management**. Select the Domain (EIM_TEST) and open it. Right click **Identifiers** and choose **New Identifier**. In this case, we create a new identifier named FTP_TEST

- i. Add the source association

After finish the previous step, right click the **Identifiers** and open it. Then right click the new identifier (FTP_TEST) choose **Properties**. Switch to **Associations** tab click **Add**. Select Association type “source user”, in this case, the source user is ibmer and the registry is MYCO.COM

- j. Add the target association

In the **Associations** tab click **Add**.

Select Association type “target user”, in this case, the target user is ibmiuser and the registry is testsvr.myco.com.

For more information on EIM configuration, please refer to [Configuring Enterprise Identity Mapping](#)

Here are the steps to enable FTP Kerberos on the FTP client side:

1. Configure Kerberos using IBM Navigator for i on the FTP server system.

From IBM Navigator for i, expand Security, expand All Tasks, expand Network Authentication Service, and click the Configure task.

In this case, MYCO.COM is added as the default realm, KDC is kdc.myco.com

Note: Currently, IBM Navigator for i does not support adding FTP key table.

2. Add the key table from the qshell environment

- a. enter qshell environment

```
>qsh
```

- b. add key table

```
>keytab add ftp/ testsvr.myco.com@MYCO.COM
```

- c. enter key table password

Note: The password must be the same as the password of the service principal which you added in KDC.

3. Acquire Ticket Granting Ticket (TGT) from KDC

Running the Add Kerberos Ticket (ADDKRBTKT) command.
Explicitly run a Qshell KINIT command.

4. Connect to FTP server with Kerberos authentication

```
FTP RMTSYS(TESTSVR.MYCO.COM) SECCNN(*KERBEROS)
```

Note:

1. FTP Kerberos only support IPv4 due to the limitation of IBM i Kerberos
2. FTP server supports both Kerberos and TLS/SSL, but unlike TLS/SSL, FTP server does not provide a CL parameter to enable or disable it. The Kerberos authentication is always enabled.

Managing access using File Transfer Protocol exit programs

You can provide additional security by adding FTP exit programs to the File Transfer Protocol (FTP) server and client exit points so that you can further restrict FTP access to your system.

You can write an FTP Server Request Validation exit program to restrict the CL commands and FTP subcommands that users can access.

You can control the authentication of users to a TCP/IP application server with an exit program for the server logon exit point.

You can write an FTP Client Request Validation exit program for the client exit point: request validation. This controls which FTP client functions a user can perform.

Depending on your situation, you might consider limiting access to FTP subcommands using Application Administration Limit Access as an alternative to writing exit programs for the FTP server request validation and FTP client request validation exit points.

To allow the exit programs to work properly, you must install and register your exit point programs. If your programs are no longer needed, you must properly remove the exit point programs to prevent their future functioning.

Related concepts

[Configuring anonymous File Transfer Protocol](#)

Anonymous File Transfer Protocol (FTP) enables remote users to use the FTP server without an assigned user ID and password.

[Request validation exit point: client and server](#)

The request validation exit points can be used to restrict operations which can be performed by FTP users.

Related tasks

[Managing access using System i Navigator](#)

You can limit access to the File Transfer Protocol (FTP) server or client by using Application Administration in System i Navigator. Application Administration is a component of System i Navigator that you can choose to install.

[Installing and registering exit programs](#)

You can create a library to contain your exit programs and their log files, compile the programs, and register them for use by the File Transfer Protocol (FTP) server.

[Removing exit programs](#)

When you no longer need an exit program, you can remove it from the Work with Exit Program display.

Related reference

[File Transfer Protocol exit programs](#)

You can use File Transfer Protocol (FTP) exit programs to secure FTP. The FTP server communicates with each exit program through a specific exit point. This topic includes parameter descriptions and code examples.

[FTP server logon exit point](#)

You can control the authentication to a TCP/IP application server with the TCP/IP Application Server Logon exit point. This exit point allows FTP server access based on the originating session's address. It also allows you to specify an initial working directory that is different from those that are in the user profile.

[VLRQ0100 exit point format](#)

The exit point for FTP server application request validation is QIBM_QTMF_SERVER_REQ. The exit point for FTP client application request validation is QIBM_QTMF_CLIENT_REQ. The interface that controls the

parameter format for these exit points is VLRQ0100. The VLRQ0100 exit point interface contains certain parameters.

Managing access using System i Navigator

You can limit access to the File Transfer Protocol (FTP) server or client by using Application Administration in System i Navigator. Application Administration is a component of System i Navigator that you can choose to install.

You can use System i Navigator to limit user access to FTP server and client functions. You can use Application Administration to grant or deny access to the functions for individual users or for groups of users. Alternatively, you can manage access to FTP functions by writing FTP exit programs for the FTP request validation exit points.

To manage user access to functions using System i Navigator, follow these steps:

1. In System i Navigator, right-click **your system** and select **Application Administration**.
2. Select the **Host Applications** tab.
3. Expand **TCP/IP Utilities for i5/OS > File Transfer Protocol (FTP)**.
4. Expand **FTP Client** or **FTP Server**.
5. Select the function that you want to allow or deny access to.
6. Click **Customize**.
7. Use the **Customize Usage** dialog to change the list of users and groups that are allowed or denied access to the function.
8. Click **OK** to save changes to the **Customize Access** page.
9. Click **OK** to exit the **Application Administration** page.

Alternatively, you can manage the access that a specific user or group has to the registered FTP functions through the Users and Groups management tool of System i Navigator. To do this, follow these steps:

1. In System i Navigator, expand **your system > Users and Groups**.
2. Select **All Users** or **Groups**.
3. Right-click a user or group, and then select **Properties**.
4. Click **Capabilities**.
5. Click **Applications**.

From here, you can change the settings of the user or group for the listed function. You can also change the settings for all functions in a hierarchy grouping by changing the settings of the next higher-level function.

Related concepts

[Managing access using File Transfer Protocol exit programs](#)

You can provide additional security by adding FTP exit programs to the File Transfer Protocol (FTP) server and client exit points so that you can further restrict FTP access to your system.

Monitoring incoming File Transfer Protocol users

By logging and reviewing File Transfer Protocol (FTP) usage, you can monitor activity and check for outside attacks.

To monitor for incoming FTP users, follow these steps:

1. In System i Navigator, expand **your server > Network > Servers > TCP/IP**.
2. In the right pane, right-click **FTP** and select **Server Jobs**.
3. The FTP server job panel opens. The Current user column displays the user that is logged on to the server job. If no user is logged on, Qtcp is displayed. Press F5 or select **View > Refresh** to update the display.

The format for the names of these jobs is *QTFPnnnnn*. The *nnnnn* is a randomly-generated number.

Related tasks

Starting and stopping the File Transfer Protocol server

You can start and stop the File Transfer Protocol (FTP) server by using System i Navigator.

Managing the File Transfer Protocol server

You can manage the File Transfer Protocol (FTP) server to start and stop the server, administer FTP security, and use Secure Socket Layer (SSL).

You can set up your system to send, receive, and share files across networks by using FTP. FTP consists of two parts: the FTP client and the FTP server. You interact with the FTP client. The FTP client interacts with the FTP server. You do not typically interact directly with the FTP server.

Starting and stopping the File Transfer Protocol server

You can start and stop the File Transfer Protocol (FTP) server by using System i Navigator.

For instructions on how to access FTP, see [“Configuring File Transfer Protocol server in System i Navigator”](#) on page 8.

To start the FTP server, complete the following steps:

1. In System i Navigator, expand **your system** > **Network** > **Servers** > **TCP/IP**.
2. In the right pane, right-click **FTP** and select **Start**.

To stop the File Transfer Protocol (FTP) server, complete the following steps:

1. In System i Navigator, expand **your system** > **Network** > **Servers** > **TCP/IP**.
2. In the right pane, right-click **FTP** and select **Stop**.

Related concepts

Determining problems with File Transfer Protocol

If you detect a problem when using File Transfer Protocol (FTP), use the flow chart and cause lists in this topic to identify the cause of the problem.

Related tasks

Monitoring incoming File Transfer Protocol users

By logging and reviewing File Transfer Protocol (FTP) usage, you can monitor activity and check for outside attacks.

Configuring File Transfer Protocol server in System i Navigator

System i Navigator provides a graphical user interface (GUI) from which you can configure and manage the IBM i File Transfer Protocol (FTP) server.

Removing exit programs

When you no longer need an exit program, you can remove it from the Work with Exit Program display.

Setting the number of available File Transfer Protocol servers

You can specify the minimum number of available servers for future client connections.

Specifying a value of 1 delays incoming connections to the File Transfer Protocol (FTP) server. The recommended value is 3.

To set this value, go to the **FTP Properties** page and specify a number from 1 to 20 for the **Initial number of servers to start**.

When a client connects to an IBM i FTP server, the FTP server examines the number of active FTP servers that are not connected to a client and the value specified for the initial number of FTP servers to start. If the initial FTP server value is greater than the number of available FTP servers, additional FTP servers are started so that the two numbers are equal. If the initial FTP server value is less than the number of available FTP servers, no action is taken. Changes to the initial FTP server value take effect at the time of the next client connection, when the above process is activated.

For example, if there are five FTP client sessions established at the same time and the initial FTP server value is set at 10, there will be 15 FTP servers running. The 15 servers include five FTP servers for the five active client sessions and ten available FTP servers. The number of available servers can be larger than the initial server value. In this same example, if the five clients end their sessions and no other sessions are started, there will be 15 available FTP servers.

Improving FTP server performance with configurable subsystem support

The default subsystem (QSYS/QSYSWRK) is used for many IBM-supplied server jobs. Using a different subsystem than the default subsystem might result in improved File Transfer Protocol (FTP) performance because the need to share resources is eliminated.

To configure a subsystem for the FTP server, follow these steps:

1. In System i Navigator, expand **your system** > **Network** > **Servers** > **TCP/IP**.
2. Right-click **FTP** and select **Properties**.
3. On the **FTP Properties** page, select **Subsystem description**.
4. Specify a subsystem description and a predefined library.

If the specified subsystem does not exist, then FTP will create it along with routing table entries and job descriptions. When the startup job for the FTP server is started, it will specify the parameters for the newly created subsystem and then submit the server jobs for batch startup in that subsystem.

Using the File Transfer Protocol client on the System i platform

With the File Transfer Protocol (FTP) client on your system, you can start and stop client sessions, transfer and receive files, and set up FTP batch jobs.

With the FTP client, you can transfer files that are found on your system, including those in the Root, QSYS.Lib, QOpenSys, QOPT, and QFileSvr.400 file systems. You can also transfer folders and documents in the document library services (QDLS) file system. The FTP client can be run interactively in an unattended batch mode where client subcommands are read from a file and the responses to these subcommands are written to a file. It also includes other features for manipulating files on your system.

The client has a user interface from which you can enter client subcommands for making requests to an FTP server. The results of these requests are then displayed.

To transfer files between the client and the server, two connections are established. The control connection is used to request services from the server with FTP server commands. The server sends replies back to the client to indicate how the request was handled. The second connection, called the data connection, is used for transferring lists of files and the actual file data.

Both the client and the server have a data transfer function that interfaces to the resident file systems. These functions read or write data to the local file systems and to and from the data connection.

Starting and stopping a client session

After you obtain a logon ID and password to a remote File Transfer Protocol (FTP) server, you can start a client session with that FTP server. You can end the client session using the QUIT FTP subcommand.

This topic provides details for using the FTP client on the IBM i operating system.

[“Starting an FTP client session” on page 28](#)

[“Stopping the FTP client session” on page 31](#)

Starting an FTP client session

Before starting the FTP client function, you must have the following information:

- The name or Internet address of the system to which files are sent or obtained.

- A logon ID and password (if required) for the remote system where the file transfers are to occur.
- The name of the file or files with which you want to work (send and receive, for example).

The Start TCP/IP File Transfer Protocol (STRTCPFTP *remotesystem*) command starts a client session on the local system, and then opens a connection to the FTP server on the specified remote system. For example, entering the command `FTP myserver.com` starts a client session on the local system, and then opens a connection to the FTP server on the remote `myserver.com` system. You can specify additional parameters, or wait to be prompted for the parameters by typing STRTCPFTP without specifying a remote system.

```

Start TCP/IP File Transfer (FTP)

Type choices, press Enter.

Remote system . . . . . > MYSERVER.COM

Coded character set identifier *DFT 1-65533, *DFT
Port . . . . . > *SECURE 1-65535, *DFT, *SECURE
Secure connection . . . . . *DFT *DFT, *NONE, *SSL, *IMPLICIT
Data protection . . . . . *DFT *DFT, *CLEAR, *PRIVATE

```

After you specify a remote system name, you are prompted to specify additional information. The following content summarizes the options available, and additional details that are available in the field help:

Remote system (RMTSYS)

Specifies the remote system name to which or from which the files are transferred. The following items are possible values:

***INTNETADR**

The Internet address (INTNETADR) parameter is prompted. The Internet address is specified in the form, `nnn.nnn.nnn.nnn`, where `nnn` is a decimal number ranging from 0 through 255

remote-system

Specify the remote system name to which or from which the file transfer takes place.

Coded character set identifier (CCSID)

Specifies the ASCII coded character set identifier (CCSID) that is used for single-byte character set (SBCS) ASCII file transfers when the FTP TYPE mode is set to ASCII. The possible values are:

***DFT**

The CCSID value 00819 (ISO 8859-1 8-bit ASCII) is used.

CCSID-value

The requested CCSID value is used. This value is validated to ensure a valid ASCII SBCS CCSID was requested.

Port (PORT)

Specifies the port number used for connecting to the FTP server. Normally, the common port value of 21 is used to connect to the FTP server. Under some circumstances, the FTP server can be contacted at a port other than port 21. In those situations, the port parameter can be used to specify the server port to connect to. The possible values are:

***DFT**

The value 00021 is used.

***SECURE**

The value 00990 is used. Port 990 is reserved for secure FTP servers which immediately use Transport Layer Security (TLS) or Secure Sockets Layer (SSL) protocols to encrypt data.

port_value

The requested port value is used. This value is validated to ensure it is in the proper range.

Note: If 990 is specified, the FTP client will perform the same functions as if *SECURE were specified.

Secure connection (SECCNN)

Specifies the type of security mechanism to be used for protecting information transferred on the FTP control connection (which includes the password used to authenticate the session with the FTP server). Transport Layer Security (TLS) and Secure Sockets Layer (SSL) are compatible protocols which use encryption to protect data from being viewed during transmission and verify that data loss or corruption does not occur.

Note: The FTP client subcommand SECOPEN can be used to open a protected FTP connection during an FTP client session.

The possible values are:

***DFT**

If the PORT parameter specifies *SECURE or 990, *IMPLICIT is used; otherwise, *NONE is used.

***IMPLICIT**

The FTP client immediately attempts to use TLS or SSL when connecting to the specified FTP server (without sending an AUTH subcommand to the server). If the FTP server does not use implicit TLS or SSL on the specified port, or the TLS or SSL negotiation fails for any reason, the connection is closed.

***SSL**

After connecting to the specified FTP server, the FTP client sends an AUTH (authorization) subcommand requesting a TLS-protected or an SSL-protected session. If the FTP server supports TLS or SSL, a TLS or SSL negotiation is performed. If the FTP server does not support TLS or SSL, or the TLS or SSL negotiation fails, the connection is closed.

***NONE**

The FTP client does not use encryption for the control connection to the specified FTP server.

Data protection (DTAPROT)

Specifies the type of data protection to be used for information transferred on the FTP data connection. This connection is used to transfer file data and directory listings. The FTP protocol does not allow protection of the data connection if the control connection is not protected.

Note: The FTP client subcommand SECData can be used subsequently to change the data protection level. The FTP client uses the FTP server subcommand PROT to request the specified data protection after a secure control connection has been established.

The possible values are:

***DFT**

If the SECCNN parameter specifies a protected control connection, *PRIVATE is used; otherwise, *CLEAR is used.

***PRIVATE**

Information sent on the FTP data connection is encrypted. If the SECCNN parameter specifies that the FTP control connection is not encrypted, *PRIVATE cannot be specified.

***CLEAR**

Information sent on the FTP data connection is not encrypted.

Outgoing ASCII/EBCDIC table (TBLFTPOUT)

Specifies the table object that is to be used to map all outgoing data in the FTP client. Outgoing data is mapped from EBCDIC to ASCII. If no table object is specified for TBLFTPOUT, the CCSID parameter is used to determine outgoing mapping. The possible values are:

***CCSID**

The CCSID parameter is used to determine outgoing mapping.

***DFT**

The CCSID parameter is used to determine outgoing mapping.

The name of the outgoing mapping table can be qualified by one of the following library values:

***LIBL**

All libraries in the user and system portions of the job's library list are searched until the first match is found.

***CURLIB**

The current library for the job is searched. If no library is specified as the current library for the job, the QGPL library is used.

library-name

Specify the name of the library to be searched.

outgoing-mapping-table

Specify the table object to be used by the FTP client for mapping outgoing data.

Incoming ASCII/EBCDIC table (TBLFTPIN)

Specifies the table object that is to be used to map all incoming data in the FTP client. Incoming data is mapped from ASCII to EBCDIC. If no table object is specified for TBLFTPIN, the CCSID parameter is used to determine incoming mapping. The following items are possible values:

***CCSID**

The CCSID parameter is used to determine incoming mapping.

***DFT**

The CCSID parameter is used to determine incoming mapping.

The name of the incoming mapping table can be qualified by one of the following library values:

***LIBL**

All libraries in the user and system portions of the job's library list are searched until the first match is found.

***CURLIB**

The current library for the job is searched. If no library is specified as the current library for the job, the QGPL library is used.

library-name

Specify the name of the library to be searched.

incoming-mapping-table

Specify the table object to be used by the FTP client for mapping incoming data.

Stopping the FTP client session

Use the QUIT subcommand to stop an FTP session.

The QUIT subcommand closes the connection with the remote host and ends the FTP session on the system. Alternatively, you can press F3 (Exit), and then confirm to end the FTP client session.

Related concepts

[Securing FTP clients with Transport Layer Security or Secure Sockets Layer](#)

You can use Transport Layer Security (TLS) or Secure Sockets Layer (SSL) connections to encrypt data transferred over File Transfer Protocol (FTP) control and data connections.

Related tasks

[Transferring files with File Transfer Protocol](#)

You can send and receive files with File Transfer Protocol (FTP).

Related reference

[Scenario: Transferring a file from a remote host](#)

The scenario shows how to use basic functions of File Transfer Protocol (FTP) to get files from a remote host. In this scenario, the client and the server are both using i5/OS FTP.

Server timeout considerations

The inactivity timeout value is the time in seconds without File Transfer Protocol (FTP) server activities that cause the FTP server to close the session. You can keep your FTP connection from timing out.

Certain remote servers allow the client to change this value. For example, the IBM i platform supports the FTP server TIME subcommand, which can be sent to the FTP server with the FTP client QUOTE subcommand. UNIX servers often support the SITE IDLE subcommand.

When using local IBM i FTP subcommands with either the SYSCMD subcommand or F21, there is no interaction between the client and the FTP server. Therefore, if the running of these local FTP commands exceeds the server inactivity timeout period, the server will close the connection. If you lose your connection, you must log on to the FTP server again using the OPEN command (OPEN <*remote system name*>) and the USER command.

Related reference

[QUOTE \(Send a Subcommand to an FTP Server\)](#)

The QUOTE IBM i FTP client subcommand sends a subcommand to an FTP server.

Transferring files with File Transfer Protocol

You can send and receive files with File Transfer Protocol (FTP).

Follow these steps to transfer files with i5/OS FTP:

1. Collect the following information:

- The TCP/IP name or IP address of the remote computer
- A logon name and password for the remote computer (unless the remote computer supports anonymous FTP)
- The name and location of the file you want to transfer
- The location of the destination
- The file transfer type that you use: ASCII, EBCDIC, or BINARY
- Whether you want to use a connection secured with Transport Layer Security (TLS) or Secure Sockets Layer (SSL).

2. At the command line, type FTP and press Enter.

3. At the prompt, enter the TCP/IP name or IP address of the remote computer system and press Enter. You can use either the name or the IP address, such as:

```
remote.systemname.com  
or  
110.25.9.13
```

4. Enter the Coded Character Set Identifier (CCSID). Use the default (*DFT) value unless you know that you need a specific CCSID.

5. If you want to use a secure connection to protect passwords and data, specify a port value of *SECURE.

6. Press Enter to initiate the connection. The FTP client displays messages that indicate a successful connection with the remote system.

Note: If you specify a port of *SECURE and the FTP server does not support implicit TLS or SSL on the specified port, or the TLS or SSL negotiation fails for any reason, the connection is closed.

7. To change the file transfer type, complete the following steps:

- a) To switch to EBCDIC, enter EBCDIC and press Enter before you transfer the file.
- b) To switch to BINARY, enter BINARY and press Enter before you transfer the file.
- c) To switch back to the default type, ASCII, enter ASCII and press Enter before you transfer the file.

8. Now you are ready to transfer files:

- a) Enter CD and the name of the directory. Press Enter.
- b) Do one of the following steps:

- To transfer a file from the server system to the client system, enter GET followed by the name of the file:

```
GET myfile.txt
```

- To send a file that is on the client system to the server system, enter PUT followed by the name of the file:

```
PUT myfile.txt
```

9. Enter the FTP subcommand QUIT to end the FTP client session and return to the command line.

Related concepts

Data transfer methods

Before you begin to transfer files, you must choose the appropriate file transfer type. You can use the default type, ASCII, or specify a different type such as EBCDIC or BINARY.

Related reference

Scenario: Transferring a file from a remote host

The scenario shows how to use basic functions of File Transfer Protocol (FTP) to get files from a remote host. In this scenario, the client and the server are both using i5/OS FTP.

Starting and stopping a client session

After you obtain a logon ID and password to a remote File Transfer Protocol (FTP) server, you can start a client session with that FTP server. You can end the client session using the QUIT FTP subcommand.

Running File Transfer Protocol in unattended mode using a batch job

In addition to running the FTP client interactively, you can run the FTP client in an unattended mode. This topic provides a simple example and a complex example of the batch FTP method.

Related concepts

Controlling File Transfer Protocol access

If you are using File Transfer Protocol (FTP), you need to control users to protect your data and network. This topic offers tips and security considerations.

Related reference

Scenario: Transferring a file from a remote host

The scenario shows how to use basic functions of File Transfer Protocol (FTP) to get files from a remote host. In this scenario, the client and the server are both using i5/OS FTP.

Related information

V4 TCP/IP for AS/400: More Cool Things Than Ever

Simple example: Batch FTP

This simple example shows a batch file transfer that involves the successful transfer of one file from a remote system.

The components are as follows:

- A CL program
- An input file of FTP commands

- An output file of FTP messages

The CL program

```
*****
ITSOLIB1/QCLSRC BATCHFTP:
-----
PGM
OVRDBF FILE(INPUT) TOFILE(ITSOLIB1/QCLSRC) MBR(FTPCMDS)
OVRDBF FILE(OUTPUT) TOFILE(ITSOLIB1/QCLSRC) MBR(OUT)
FTP RMTSYS(SYSxxx)
ENDPGM
*****
```

Note: To make this sample work when written with ILECL, you must add OVRSCOPE(*CALLLVL) to the OVRDBF commands.

The BATCHFTP program overrides the INPUT parameter to the source physical file ITSOLIB1/QCLSRC MBR(FTPCMDS). The output is sent to MBR(OUT).

The input commands file

```
*****
ITSOLIB1/QCLSRC FTPCMDS:
-----
ITSO ITSO
CD ITSOLIB1
SYSCMD CHGCURLIB ITSOLIB2
GET QCLSRC.BATCHFTP QCLSRC.BATCHFTP (REPLACE
QUIT
*****
```

The FTP subcommands required are shown in the FTPCMDS file.

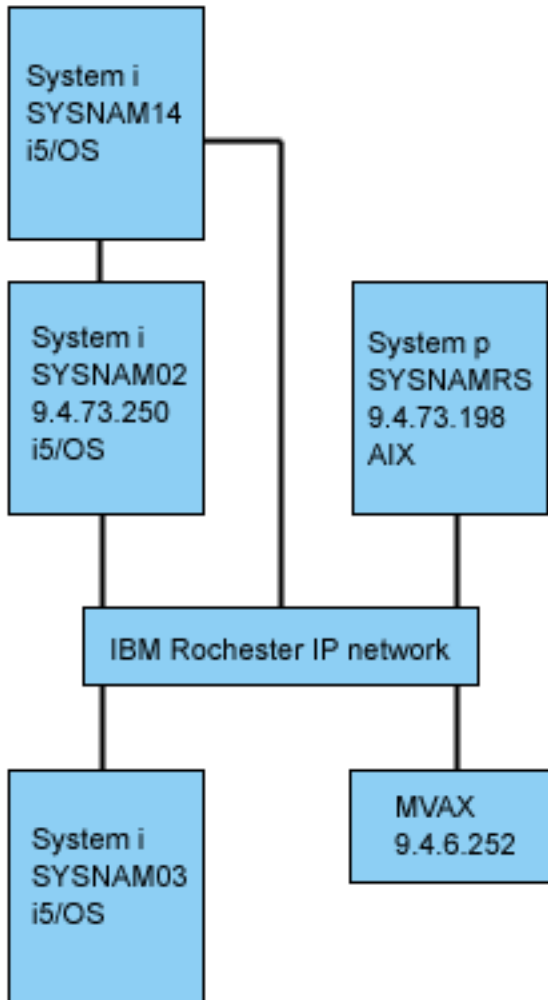
The output messages file

```
*****
FTP Output Redirected to a File
FTP Input from Overridden File
Connecting to host name SYSxxx
at address x.xxx.xx.xxx using port 21.
220-QTCP at SYSxxx.sysnam123.ibm.com.
220 Connection will close if idle more than 5 minutes.
Enter login ID (itso):
> ITSO ITSO
331 Enter password.
230 ITSO logged on.
i5/OS is the remote operating system. The TCP/IP version is "V3R1M0".
250 Now using naming format "0".
257 "QGPL" is current library.
Enter an FTP subcommand.
> CD ITSOLIB1
Enter an FTP subcommand.
250 Current library changed to ITSOLIB1.
> SYSCMD CHGCURLIB ITSOLIB2
Enter an FTP subcommand.
> GET QCLSRC.BATCHFTP QCLSRC.BATCHFTP (REPLACE
200 PORT subcommand request successful.
150 Retrieving member BATCHFTP in file QCLSRC in library ITSOLIB1.
250 File transfer completed successfully.
147 bytes transferred in 0.487 seconds. Transfer rate 0.302 KB/sec.
Enter an FTP subcommand.
> QUIT
221 QUIT subcommand received.
*****
```

The output file is shown. It is a straightforward matter to write a program to process this file and display an error message on QSYSOPR if there are any error messages. FTP error messages have numbers that start with a 4 or 5.

Complex example: Batch FTP

This example shows how to retrieve files from several remote hosts to a central system in batch mode.



User GWIL on SYSNAM03 wants to do the following steps:

1. Retrieve files from hosts SYSNAMRS (RS/6000®) and MVAX (VAX).
2. After retrieving the file from SYSNAMRS, transfer the file to SYSNAM02 (another system) using FTP.
3. From SYSNAM02, send the file to SYSNAM14 using TCP/IP.

Example: Creating a CL program to start FTP

This is an example CL program to start File Transfer Protocol (FTP) in batch mode. The CL program contains commands to override the command input and message output, start the FTP, and delete the overrides when the FTP is closed.

1. As shown in the simple example, FTP uses the display station for command INPUT and message OUTPUT, and this needs to be overridden for use in batch mode. In this example, the OVRDBF command is used to overwrite these files with the ones to be used in batch:

```
OVRDBF FILE(INPUT) TOFILE(GERRYLIB/QCLSRC) MBR(FTPCMDS)
OVRDBF FILE(OUTPUT) TOFILE(GERRYLIB/QCLSRC) MBR(FTPLOG)
```

2. A host name or an Internet address is a required parameter for the STRTCPFTP command that is included in the CL program file. However, if you want to specify the remote systems in the input commands file instead of the CL program file, you must specify a dummy host name for the STRTCPFTP command to satisfy the required syntax. This dummy name can be a fictitious host name or a real host name. If it is a real name, then the first entry in the input commands file must be a user

ID and a password, and the second entry must be the CLOSE subcommand. If it is not a real host name, these entries are not required, and the first entry must be an OPEN subcommand to connect to the required FTP server.

```
FTP RMTSYS(LOOPBACK)
```

FTP processes the input file and writes messages to the output file (FTPLOG).

3. After the FTP application ends, delete the overrides:

```
DLTOVR FILE(INPUT OUTPUT)
```

The CL program for batch FTP will look like the following example, in Figure 1, on system SYSNAM01:

Note: By using the code examples, you agree to the terms of the [“Code license and disclaimer information”](#) on page 156.

```

Columns . . . :   1 71          Browse          GERRYLIB/QCLSRC
SEU==>
FMT **  ...+... 1 ...+... 2 ...+... 3 ...+... 4 ...+... 5 ...+... 6 ...+... 7
***** Beginning of data *****
0001.00 PGM
0002.00          OVRDBF  FILE(INPUT) TOFILE(GERRYLIB/QCLSRC) +
0003.00          MBR(FTPCMDS)
0004.00          OVRDBF  FILE(OUTPUT) TOFILE(GERRYLIB/QCLSRC) +
0005.00          MBR(FTPLOG)
0006.00          FTP    RMTSYS(LOOPBACK) /* (FTP CL Program) */
0007.00          DLTOVR  FILE(INPUT OUTPUT)
0008.00 ENDPGM
***** End of data *****

F3=Exit  F5=Refresh  F9=Retrieve  F10=Cursor  F12=Cance
F16=Repeat find  F24=More keys
(C) COPYRIGHT IBM CORP. 1981, 1994.

```

Figure 1. CL program FTPBATCH for batch FTP

Example: Creating the FTP input file (FTCPDMS)

The FTP input file must contain all the FTP client subcommands necessary to connect and log on to the FTP server, set up and complete the file transfers, close the connection, and end the client session. This example shows the subcommands used for transferring files to two different remote systems.

Note: By using the code examples, you agree to the terms of the [“Code license and disclaimer information”](#) on page 156.


```

Columns . . . :   1  71           Browse           GERRYLIB/QCLSRC
SEU==>                                     FTPCMDS
FMT **  ...+... 1 ...+... 2 ...+... 3 ...+... 4 ...+... 5...+... 6 ...+... 7
          ***** Beginning of data*****
0001.00 gwil ****
0002.00 close
0003.00 open sysnamrs
0004.00 user root root
0005.00 ascii
0006.00 syscmd dltf file(gerrylib/rs6)
0007.00 get /Itsotest gerrylib/rs6.rs6
0008.00 close
0009.00 open mvax
0010.00 user tester tester
0011.00 get screen1.file gerrylib/vax.vax (replace
0012.00 close
0013.00 open sysnam02
0014.00 user gwil ****
0015.00 ebcdic
0016.00 put gerrylib/rs6.rs6 gerrylib/rs6.rs6
0017.00 quote rcmd sndnetf file(gerrylib/rs6) tousrid((gwilsysnam14))
0018.00 close
0019.00 quit
          ***** End of data*****
F3=Exit   F5=Refresh  F9=Retrieve  F10=Cursor  F12=Cancel
F16=Repeat find      F24=More keys

```

Figure 2. Transferring files to two remote systems

The following explanation can help you to understand the FTP client subcommands shown in [Figure 2 on page 37](#). The line numbers on the display correspond to the numbers that follow.

0001

User ID and password for dummy connection within client system SYSNAM03.

0002

Close dummy connection on system SYSNAM03.

0003

Open control connection to RISC System/6000 SYSNAMRS.

0004

USER subcommand with user ID and password for SYSNAMRS.

Note: When running FTP in batch mode, the USER subcommand must follow an OPEN subcommand. Both the logon user ID and password parameters for the USER subcommand should be provided. This is different when operating FTP interactively online. When FTP is run interactively online, and then the client will automatically initiate a USER subcommand and prompt you for a logon ID. There is no automatic USER subcommand when running FTP in batch mode.

0005

Transfer ASCII data (will be converted on the system to/from EBCDIC).

0006

CL command to be run on the client system to delete the file. (You could instead use the REPLACE parameter with the next statement, the get.)

0007

Retrieve file from RISC System/6000 system.

0008

Close control connection to RISC System/6000 SYSNAMRS.

0009

Open connection to VAX MVAX.

0010

USER subcommand with user ID and password for MVAX.

0011

Retrieve file from VAX replacing existing IBM i file.

0012

Close control connection to VAX MVAX.

0013

Open control connection to remote system SYSNAM02.

0014

USER subcommand with user ID and password for SYSNAM02.

0015

Transfer EBCDIC data (as it is from a IBM i platform to a IBM i platform).

0016

Send IBM i files to system SYSNAM02 with TCP/IP.

0017

Send this file from system SYSNAM03 to remote system SYSNAM14 through TCP/IP network.

0018

Close control connection to system SYSNAM02.

0019

End FTP application.

Example: CL program for submitting the FTPBATCH job

To schedule the file transfers and run them in unattended mode, create a CL program that submits the FTPBATCH job. In this example, the file transfers are to run the next Friday, 17:00 hour, in unattended mode.

Note: By using the code examples, you agree to the terms of the [“Code license and disclaimer information”](#) on page 156.

```

Columns . . . : 1 71          Browse          GERRYLIB/QCLSRC
SEU==>          FTPSUBMIT
FMT **  ...+... 1 ...+... 2 ...+... 3 ...+... 4 ...+... 5...+... 6 ...+... 7
***** Beginning of data*****
0001.00 PGM
0002.00          SBMJOB      CMD(CALLPGM(GERRYLIB/FTPBATCH)) +
0003.00          JOB(FTPFRIDAY)OUTQ(QUSRSYS/GERRYQ)      +
0004.00          SCDDATE(*FRI)SCDTIME(170000) /* FTP for +
0005.00          Friday, 5:00 in theafternoon */
0006.00 ENDPGM
***** End of data*****

F3=Exit  F5=Refresh  F9=Retrieve  F10=Cursor  F12=Cancel
F16=Repeat find  F24=More keys

(C) COPYRIGHT IBMCORP. 1981, 1994.

```

Figure 3. CL program for submitting batch FTP job

Example: Checking the FTP output file for errors

While running at the scheduled time, FTP creates data in file member FTPLOG. The data in file member FTPLOG corresponds to original statements found in both examples. Check the output (FTPLOG) for errors that might have occurred during the FTP processing.

Here is an example of the output file:

Note: By using the code examples, you agree to the terms of the [“Code license and disclaimer information”](#) on page 156.

```

    Connecting to host name LOOPBACK at address 127.0.0.1 using port 21.
220-QTCP at localhost.
220 Connection will close if idle more than 5 minutes.
Enter login ID (gwil):

>>>GWIL ****
331 Enter password.
230 GWIL logged on.
i5/OS is the remote operating system. The TCP/IP version is "V4R2M0".
250 Now using naming format "0".
257 "QGPL" is current library.
Enter an FTP subcommand.

> CLOSE
221 QUIT subcommand received.
Enter an FTP subcommand.

> OPEN SYSNAMRS
Connecting to host name SYSNAMRS at address 9.4.73.198 using port 21.
220 sysnamrs.sysnam123.ibm.com FTP server (Version 4.9 ThuSep 2 20:35:07 CDT
    1993) ready.
Enter an FTP subcommand.

```

Figure 4. FTP output (FTPLOG) after running FTPBATCH program (Part 1 of 5)

```

> USER root ****
331 Password required for root.
230 User root logged in.
UNIX Type: L8 Version: BSD-44
Enter an FTP subcommand.

> ASCII
200 Type set to A; form set to N.
Enter an FTP subcommand.

> SYSCMD DLTF FILE(GERRYLIB/RS6)
Enter an FTP subcommand.

> GET /Itsotest GERRYLIB/RS6/RS7
200 PORT command successful.
150 Opening data connection for /Itsotest (467 bytes).
226 Transfer complete.
467 bytes transferred in 2.845 seconds. Transfer rate 0.167KB/sec.
Enter an FTP subcommand.

```

Figure 5. FTP output (FTPLOG) after running FTPBATCH program (Part 2 of 5)

```

|
> CLOSE
221 Goodbye.
Enter an FTP subcommand.

> OPEN MVAX
Connecting to host system mvax at address 9.4.6.252 using port 21.
220 FTP Service Ready
Enter an FTP subcommand.

> USER TESTER *****
331 User name TESTER received, please send password
230 TESTER logged in, directory $DISK1:[TESTER]
Enter an FTP subcommand.

GET SCREEN1.FILE GERRYLIB/VAX.VAX (REPLACE
200 PORT Command OK.
125 ASCII transfer started for $DISK1:[TESTERSCREEN1.FILE;1(266586 bytes)
226 File transfer completed ok.
265037 bytes transferred in 8.635 seconds. Transfer rate30.694 KB/sec.
Enter an FTP subcommand.

> CLOSE
221 Goodbye.
Enter an FTP subcommand.

OPEN SYSNAM02
Connecting to host system SYSNAM02 at address 9.4.73.250 using port 21.
220-QTCP at SYSNAM02.sysnam123.ibm.com.
220 Connection will close if idle more than 5 minutes.
Enter an FTP subcommand.

```

Figure 6. FTP output (FTPLOG) after running FTPBATCH program (Part 3 of 5)

```

|
> USER GWIL ****
331 Enter password.
230 GWIL logged on.
i5/OS is the remote operating system. The TCP/IP version is "V4R2M0".
250 Now using naming format "0".
257 "QGPL" is current library.
Enter an FTP subcommand.

> EBCDIC
200 Representation type is EBCDIC nonprint.
Enter an FTP subcommand.

> PUT GERRYLIB/RS6.RS6 GERRYLIB/RS6.RS6
200 PORT subcommand request successful.
150 Sending file to member RS6 in file RS6 in library GERRYLIB.
250 File transfer completed successfully.
467 bytes transferred in 0.148 seconds. Transfer rate 3.146 KB/sec.
Enter an FTP subcommand.

> RCMD SNDNETF FILE(GERRYLIB/RS6) TOUSRID((GERRYLIB SYSNAM14))
250 Command SNDNETF FILE(GERRYLIB/RS6) TOUSRID((GWIL SYSNAM14))
successful.
Enter an FTP subcommand.

```

Figure 7. FTP output (FTPLOG) after running FTPBATCH program (Part 4 of 5)

```

> CLOSE
221 QUIT subcommand received.
Enter an FTP subcommand.
> QUIT
(This ends the FTP application)

```

Figure 8. FTP output (FTPLOG) after running FTPBATCH program (Part 5 of 5)

You can either check visually or run a program that tests for error reply codes. Three-digit FTP error reply codes start with 4 or 5. Be careful to avoid messages, such as '467 bytes transferred...'.

Sample procedure: A sample REXX procedure and a sample physical file member are shipped as part of the TCP/IP product. File QATMPINC in library QTCP includes the following two members:

- BATCHFTP that contains REXX source code to specify the input and output batch files, and start FTP.
- BFTPFIL that contains the subcommands and data required for logon and running FTP.

File Transfer Protocol reference information

File Transfer Protocol (FTP) reference information includes information about IBM i FTP server and client subcommands, FTP exit programs, and a data transfer method.

File Transfer Protocol server subcommands

These subcommands represent communication between the File Transfer Protocol (FTP) client and the FTP server. This topic includes descriptions for IBM i CL-equivalent subcommands that are unique to the IBM i FTP server.

The FTP client communicates with the server using server subcommands. This topic provides the server subcommands, descriptions of what they do, their syntax conventions, and FTP reply status messages.

IBM i FTP server uses the subcommands listed in the following table.

Subcommand	What It Does
ABOR	Cancels the Previous Subcommand
ADDM	Adds a Member to a Physical File
ADDV	Adds a Member to a Variable-Length Member to a Physical File
APPE	Appends Data to a Specified File
AUTH	Defines the authentication mechanism used for the current FTP session.
“CCC (Clear Command Channel)” on page 45	Changes the transmission mode in a control connection from the encrypted mode to the clear text mode
CDUP	Changes Directory to the Parent Directory
CRTL	Creates a Library
CRTP	Creates a Physical File
CRTS	Creates a Source Physical File
CWD	Changes the Working Directory or Library
DEBUG	Starts or Ends a Server Trace

Subcommand	What It Does
<u>DELE</u>	Deletes a File, a Member, or a Document
<u>DLTF</u>	Deletes a File
<u>DLTL</u>	Deletes a Library
<u>HELP</u>	Gets Information about FTP Server Subcommands
<u>LIST</u>	Lists Files or Directory Entries
<u>MKD</u>	Makes a Directory
<u>MODE</u>	Specifies a Format for Data Transmission
<u>NLST</u>	Lists the Names of Files or Directories
<u>NOOP</u>	Checks if Server is Responding
<u>PASS</u>	Sends a Password to the Server
<u>PASV</u>	Tells the Server to Passively Open the Next Data Connection
<u>PBSZ</u>	Defines the largest buffer protection buffer size to be used for application-level encoded data sent or received on the data connection.
<u>PORT</u>	Identifies the Data Port on which the Client Will Listen for a Connection
<u>PROT</u>	Defines the protection used for FTP data connections
<u>PWD</u>	Displays the Current Working Directory
<u>QUIT</u>	Logs Off the User; Closes the Connection
<u>RCMD</u>	Sends a CL Command to an FTP Server
<u>REIN</u>	Re-starts a Session on a Server
<u>RETR</u>	Retrieves Data from a Server
<u>RMD</u>	Removes a Directory
<u>RNFR</u>	Specifies a File to be Renamed
<u>RNTO</u>	Specifies a New File Name
<u>SITE</u>	Sends Information for a Server to Use
<u>STAT</u>	Gets Status Information from a Server
<u>STOR</u>	Saves Data on a Server and Replaces an Existing File
<u>STOU</u>	Saves Data on a Server But Does Not Replace an Existing File
<u>STRU</u>	Specifies the Structure of a File
<u>SYST</u>	Prints the Name of the OS on the Server
<u>TIME</u>	Sets the Time-Out Value for the FTP Server
<u>TYPE</u>	Specifies the File Transfer Type
<u>USER</u>	Sends a User Logon ID to the Server

Subcommand	What It Does
XCUP	Changes to the Parent Directory
XCWD	Changes to the Working Directory
XMKD	Creates a Directory
XPWD	Displays the Current Directory or Library
XRMD	Removes a Directory

Subcommands unique to IBM i FTP server

IBM i FTP server subcommands include a special set of commands that are abbreviated names of equivalent but longer IBM i control language (CL) commands.

The names of these special server subcommands must be 4 characters in length to comply with the FTP limits. When the FTP server receives these subcommands, the name are interpreted in this way:

- ADDM = ADDPFM (Add Physical File Member)
- ADDV = ADDPVL (Add Physical File Variable Length Member)
- CRTL = CRTLIB (Create Library)
- CRTP = CRTPF (Create Physical File)
- CRTS = CRTSRCPF (Create Source Physical File)
- DLTF = DLTF (Delete File)
- DLTL = DLTLIB (Delete Library)

In addition to these specific subcommands, you can use the FTP server subcommand RCMD to send any CL command to the FTP server.

Related reference

[File Transfer Protocol server syntax conventions](#)

Follow these syntax conventions when you use the File Transfer Protocol (FTP) server subcommands.

[Status messages from the File Transfer Protocol server](#)

When you enter subcommands during a File Transfer Protocol (FTP) client session, status messages return to your display in a 3-digit code: xyz. Each digit has certain values that indicate a different status.

[File Transfer Protocol client subcommands](#)

You use File Transfer Protocol (FTP) client subcommands to establish a connection with a remote FTP server, navigate libraries and directories, create and delete files, and transfer files.

ADDM (Add Physical File Member)

The ADDM IBM i FTP server subcommand adds a member to a physical file.

FTP server subcommand

ADDM parameters

parameters

The parameters for this subcommand are the same as for the ADDPFM CL command.

For example, to add member BANANA to physical file GEORGE in library RLKAYS, enter this:

```
ADDM FILE(RLKAYS/GEORGE) MBR(BANANA)
```

Related reference

[File Transfer Protocol server syntax conventions](#)

Follow these syntax conventions when you use the File Transfer Protocol (FTP) server subcommands.

ADDV (Add Physical File Variable Length Member)

The ADDV IBM i FTP server subcommand adds a variable-length member to a physical file.

FTP server subcommand

ADDV parameters

parameters

The parameters for this subcommand are the same as for the ADDPVLM CL command.

For example, to add member POLEBEAN to physical file GEORGE in library RLKAYS, enter this:

```
ADDV FILE(RLKAYS/GEORGE) MBR(POLEBEAN)
```

Related reference

[File Transfer Protocol server syntax conventions](#)

Follow these syntax conventions when you use the File Transfer Protocol (FTP) server subcommands.

APPE (Append to Existing File)

The APPE FTP server subcommand accepts the transferred data and stores it in a file on the FTP server. If the file that is specified exists, the subcommand appends the data to that file; otherwise, the subcommand creates the specified file.

FTP server subcommand

APPE <i>filename</i>

filename

The file that will receive your data on the FTP server.

Related reference

[File Transfer Protocol server syntax conventions](#)

Follow these syntax conventions when you use the File Transfer Protocol (FTP) server subcommands.

AUTH (Authorization)

The AUTH IBM i FTP server subcommand defines the authentication and security mechanism that is used for the current FTP session.

FTP server subcommand

The syntax of this subcommand is:

```
AUTH [ TLS-C | TLS-P | TLS | SSL ]
```

<i>Table 1. Parameter values:</i>	
Parameter value	Definition
TLS-C	Utilize the Transport Layer Security (TLS) protocol as the security mechanism. The security settings for the data connection use the RFC2228 defaults; that is, there is no implicit protection of the data connection.

Table 1. Parameter values: (continued)

Parameter value	Definition
TLS-P	Utilize the TLS protocol as the security mechanism. Also, implicitly protect the data connection (which is equivalent to the command sequence AUTH TLC-C, PBSZ 0, PROT P).
TLS	Synonym for TLS-C.
SSL	Synonym for TLS-P.

TLS-C	Utilize the Transport Layer Security (TLS) protocol as the security mechanism. The security settings for the data connection use the RFC2228 defaults; that is, there is no implicit protection of the data connection.
TLS-P	Utilize the TLS protocol as the security mechanism. Also, implicitly protect the data connection (which is equivalent to the command sequence AUTH TLC-C, PBSZ 0, PROT P)
TLS	Synonym for TLS-C.
SSL	Synonym for TLS-P.

Note: The TLS protocol is compatible with the Secure Sockets Layer (SSL) protocol.

Related reference

File Transfer Protocol server syntax conventions

Follow these syntax conventions when you use the File Transfer Protocol (FTP) server subcommands.

CCC (Clear Command Channel)

The CCC IBM i FTP server subcommand changes the transmission mode in a control connection from the encrypted mode to the clear text mode.

FTP server subcommand

CCC

When the FTP server receives a Clear Command Channel (CCC) subcommand, it first checks whether the current user has the authority to perform the CCC command. If the user has the authority, it then accepts the command by sending a confirmation message back to the FTP client side. Then the FTP server changes the transmission mode in a control connection from the encrypted mode to the clear text mode.

You can secure sensitive information including your user name and password by sending them in the encrypted mode in the control connection. Then, you can use the CCC subcommand to change the transmission mode to the clear text mode, and then send the port and IP information.

Compared with the full encryption of the control connection, some potential security and integrity exposures exist when you use the CCC subcommand:

- This might result in file and directory names on the FTP server to be subject to interception. It is possible that such names themselves contain sensitive or confidential information.
- IP address and port information transferred in the control connection can be easily intercepted by hackers.

- Other direct TCP attacks on an FTP server or using an FTP server to attack other systems are completely eliminated when TLS is used. Some of those attacks are now again possible when the control connection reverts to the clear-text mode.

Because of these concerns, the use of the CCC subcommand is controlled using the i5/OS Function Usage interface. The default setting for the CCC subcommand is *DENIED for the FTP server.

You must specify *ALLOWED for the QIBM_QTMF_SERVER_REQ_10 function through the Application Administration folder in System i Navigator or by using the Change Function Usage (CHGFCNUSG) command. By doing so, you can allow an individual user that is logged on to the FTP server to use the CCC subcommand to end the protection of the control connection.

Here is an example of using the CHGFCNUSG command:

```
CHGFCNUSG FCNID(QIBM_QTMF_SERVER_REQ_10) USER(user1) USAGE(*ALLOWED)
```

Related information

[Securing FTP with TLS](#)

CRTL (Create Library)

The CRTL IBM i FTP server subcommand creates a library.

FTP server subcommand

CRTL parameters

parameters

The parameters for this subcommand are the same as for the CRTLIB CL command.

For example, to create a library that is called TESTTCP, enter this:

```
CRTL TESTTCP
```

Related reference

[File Transfer Protocol server syntax conventions](#)

Follow these syntax conventions when you use the File Transfer Protocol (FTP) server subcommands.

CRTP (Create Physical File)

The CRTP IBM i FTP server subcommand creates a physical file.

FTP server subcommand

CRTP parameters

parameters

The parameters for this subcommand are the same as for the CRTPF CL command.

For example, to create a physical file that is called MYFILE with a record length of 80 and no restrictions on the number of members, enter this:

```
CRTP FILE(RLKAYS/MYFILE) RCDLEN(80) MAXMBS(*NOMAX)
```

Related reference

[File Transfer Protocol server syntax conventions](#)

Follow these syntax conventions when you use the File Transfer Protocol (FTP) server subcommands.

CRTS (Create Source Physical File)

The CRTS IBM i FTP server subcommand creates a source physical file.

FTP server subcommand

CRTS parameters

parameters

The parameters for this subcommand are the same as for the CRTSRCPF CL command.

For example, to create a source physical file that is called GEORGE in library RLKAYS, enter this:

```
CRTS FILE(RLKAYS/GEORGE)
```

Related reference

[File Transfer Protocol server syntax conventions](#)

Follow these syntax conventions when you use the File Transfer Protocol (FTP) server subcommands.

CWD (Change Working Directory or Library)

The CWD IBM i FTP server subcommand changes the working directory, library, or file group.

FTP server subcommand

CWD *directory*

Related reference

[File Transfer Protocol server syntax conventions](#)

Follow these syntax conventions when you use the File Transfer Protocol (FTP) server subcommands.

DEBUG (Turn on the FTP Server Trace)

The DEBUG IBM i FTP server subcommand starts or ends a server trace.

FTP server subcommand

Note: Use the FTP server trace only for reporting software problems to IBM. You might affect system performance by using this function.

DEBUG

If the FTP server trace is not active, the FTP server starts a trace. The FTP server continues to run a trace until it receives another DEBUG subcommand or a QUIT subcommand. When the FTP server ends the trace, there might be a significant delay while the DEBUG subcommand is formatting the trace data.

Related concepts

[Tracing the FTP server](#)

The FTP server can be traced from any system that runs TCP/IP.

Related reference

[File Transfer Protocol server syntax conventions](#)

Follow these syntax conventions when you use the File Transfer Protocol (FTP) server subcommands.

DELE (Delete File or Document)

The DELE IBM i FTP server subcommand deletes a file, a member, or a document.

FTP server subcommand

```
DELE remotefile
```

Related reference

[File Transfer Protocol server syntax conventions](#)

Follow these syntax conventions when you use the File Transfer Protocol (FTP) server subcommands.

DLTF (Delete File)

The DLTF IBM i FTP server subcommand deletes a file.

FTP server subcommand

```
DLTF parameters
```

parameters

The parameters for this subcommand are the same as for the DLTF CL command.

For example, to delete file MYFILE in library RLKAYS, enter this:

```
DLTF FILE(RLKAYS/MYFILE)
```

Related reference

[File Transfer Protocol server syntax conventions](#)

Follow these syntax conventions when you use the File Transfer Protocol (FTP) server subcommands.

DLTL (Delete Library)

The DLTL IBM i FTP server subcommand deletes a library.

FTP server subcommand

```
DLTL parameters
```

parameters

The parameters for this subcommand are the same as for the DLTLIB CL command.

For example, to delete a library, enter this:

```
DLTL libname
```

Related reference

[File Transfer Protocol server syntax conventions](#)

Follow these syntax conventions when you use the File Transfer Protocol (FTP) server subcommands.

HELP (Getting Help from a Remote System)

The HELP IBM i FTP server subcommand displays information about FTP server subcommands.

FTP server subcommand

```
HELP [subcommand]
```

subcommand

The name of the server subcommand that you want information about. For example, `HELP ADDM` provides help information about how to add a member to a physical file on the IBM i operating system.

To determine the syntax of the `ADDV` subcommand that is used by the system, use the server subcommand:

```
HELP ADDV
```

Related reference

[File Transfer Protocol server syntax conventions](#)

Follow these syntax conventions when you use the File Transfer Protocol (FTP) server subcommands.

LIST (File List)

The `LIST` IBM i FTP server subcommand displays a list of directory entries, library contents, or files in a file group.

FTP server subcommand

```
LIST [directory | name]
```

It lists only those files that FTP can transfer

Related tasks

[Configuring FTP servers for graphical FTP clients and Web tools](#)

File Transfer Protocol (FTP) servers on the IBM i operating system support graphical FTP clients, Web browsers, and other Web tools. Because most graphical FTP clients use the UNIX-style format as their list format and path file as their file name format, you need to configure your FTP server to support these formats.

Related reference

[File and directory entries in IBM i format](#)

System i clients support listing the files on a File Transfer Protocol (FTP) server in both the IBM i format and the format specific to UNIX. This topic discusses the IBM i format.

[File and directory entries in UNIX-style format](#)

When listing files and directories on a File Transfer Protocol (FTP) server, IBM i clients list the files in both the IBM i format and the UNIX-style format. This topic discusses the UNIX format.

[File Transfer Protocol server syntax conventions](#)

Follow these syntax conventions when you use the File Transfer Protocol (FTP) server subcommands.

[SITE \(Send Information Used by a Server System\)](#)

The `SITE` IBM i FTP server subcommand sends information or provides services that are used by the FTP server.

MKD (Make Directory)

The `MKD` IBM i FTP server subcommand creates a directory.

FTP server subcommand

```
MKD directoryname
```

Related reference

[File Transfer Protocol server syntax conventions](#)

Follow these syntax conventions when you use the File Transfer Protocol (FTP) server subcommands.

MODE (Set Transfer Mode)

The MODE IBM i FTP server subcommand specifies the mode or data format in which you want transmit data.

FTP server subcommand

```
MODE [B | S]
```

B

Specifies block mode. In this mode, data is a series of data blocks, preceded by one or more header bytes.

S

Specifies stream mode. In this mode, data is a stream of bytes. You can use any representation type with stream mode. This transfer mode is more efficient because the FTP server does not transfer any data block information.

Notes:

1. Stream mode is the default transfer mode that the system uses. It is the preferred mode.
2. If there is no parameter, the FTP server returns a reply that indicates the present setting for MODE.

Related reference

[File Transfer Protocol server syntax conventions](#)

Follow these syntax conventions when you use the File Transfer Protocol (FTP) server subcommands.

NLST (Name List)

The NLST IBM i FTP server subcommand displays names of multiple files, a file group, a directory, or a library.

FTP server subcommand

```
NLST [directory | name]
```

It lists only those files that FTP can transfer.

Related tasks

[Configuring FTP servers for graphical FTP clients and Web tools](#)

File Transfer Protocol (FTP) servers on the IBM i operating system support graphical FTP clients, Web browsers, and other Web tools. Because most graphical FTP clients use the UNIX-style format as their list format and path file as their file name format, you need to configure your FTP server to support these formats.

Related reference

[File and directory entries in IBM i format](#)

System i clients support listing the files on a File Transfer Protocol (FTP) server in both the IBM i format and the format specific to UNIX. This topic discusses the IBM i format.

[File and directory entries in UNIX-style format](#)

When listing files and directories on a File Transfer Protocol (FTP) server, IBM i clients list the files in both the IBM i format and the UNIX-style format. This topic discusses the UNIX format.

[File Transfer Protocol server syntax conventions](#)

Follow these syntax conventions when you use the File Transfer Protocol (FTP) server subcommands.

NOOP (Obtain Server Response)

The NOOP IBM i FTP server subcommand checks if the FTP server is connected and responding. If the server is responding, the server sends an OK reply to the client. The subcommand does not affect server processing in any other way.

FTP server subcommand

NOOP

Related reference

[File Transfer Protocol server syntax conventions](#)

Follow these syntax conventions when you use the File Transfer Protocol (FTP) server subcommands.

PASS (Password)

The PASS IBM i FTP server subcommand sends a password to the FTP server.

FTP server subcommand

PASS <i>password</i>

password

A string that specifies your password for the server system.

Note: The USER server subcommand must immediately precede the server subcommand PASS immediately.

Related reference

[File Transfer Protocol server syntax conventions](#)

Follow these syntax conventions when you use the File Transfer Protocol (FTP) server subcommands.

PASV (Use Passive Data Connection)

The PASV IBM i FTP server subcommand tells the FTP server to passively open the next data connection.

FTP server subcommand

PASV

Related reference

[File Transfer Protocol server syntax conventions](#)

Follow these syntax conventions when you use the File Transfer Protocol (FTP) server subcommands.

PBSZ (Protection Buffer Size)

The PBSZ IBM i FTP server subcommand defines the largest buffer size to be used for application-level encoded data sent or received on the data connection.

FTP server subcommand

PBSZ <i>value</i>

where *value* is an ASCII character string representing a decimal integer.

Note: You must specify a value of '0' for this parameter.

Related reference

[File Transfer Protocol server syntax conventions](#)

Follow these syntax conventions when you use the File Transfer Protocol (FTP) server subcommands.

PORT (Data Port)

The PORT IBM i FTP server subcommand identifies the data port on which the client will listen for a connection.

FTP server subcommand

```
PORT h1,h2,h3,h4,p1,p2
```

h n

Represents the system IP address and is a character string that is a decimal value between 0 and 255.

p n

Represents the TCP port number and is a character string that is a decimal value between 0 and 255.

To convert the p1 and p2 values to a TCP port number, use this formula:

$$\text{port} = (\text{p1} * 256) + \text{p2}$$

For example, in this PORT subcommand:

```
PORT 9,180,128,180,4,8
```

the port number is 1032 and the IP address is 9.180.128.180.

Note: After it closes the connection, the FTP server cannot connect to the same client IP address and port number until a two-minute time delay has occurred as specified in TCP/IP Request for Comments (RFC) 1122. The FTP server can make a connection to the same client IP address on a different port number without this restriction.

Related reference

[File Transfer Protocol server syntax conventions](#)

Follow these syntax conventions when you use the File Transfer Protocol (FTP) server subcommands.

PROT (Data Channel Protection Level)

The PROT IBM i FTP server subcommand defines the protection used for FTP data connections, which are used to transmit directory listings and file data.

FTP server subcommand

```
PROT [ C | P ]
```

Table 2. Parameter values:

Parameter value	Definition
C	Clear. The data connection carries "raw data" of the file transfer with no security applied.
P	Private. The data connection will use Transport Layer Security (TLS) or Secure Sockets Layer (SSL), which provides Integrity and Confidentiality protection.

Related reference

[File Transfer Protocol server syntax conventions](#)

Follow these syntax conventions when you use the File Transfer Protocol (FTP) server subcommands.

PWD (Display Working Directory or Library)

The PWD IBM i FTP server subcommand displays the name of the current directory or library.

FTP server subcommand

```
PWD
```

Related reference

[File Transfer Protocol server syntax conventions](#)

Follow these syntax conventions when you use the File Transfer Protocol (FTP) server subcommands.

QUIT (End an FTP Server Session)

The QUIT IBM i FTP server subcommand logs off from the client user and closes the control connection. If a file transfer is in progress, the connection remains open until the file transfer is complete, and then the server closes the connection.

FTP server subcommand

```
QUIT
```

Related reference

[File Transfer Protocol server syntax conventions](#)

Follow these syntax conventions when you use the File Transfer Protocol (FTP) server subcommands.

RCMD (Send a CL Command to an FTP Server System)

The server subcommand RCMD runs IBM i control language (CL) commands on the FTP server. The length of the RCMD subcommand string is up to 1000 characters. Because no prompting is available for the RCMD subcommand, the RCMD subcommand string must include all necessary parameters to run the CL command.

FTP server subcommand

If the CL command called through the RCMD subcommand runs successfully, a message stating that the subcommand is successful is displayed. If an error occurs, it displays a message that states there was an error. The message does not include what the error was unless the error occurred because a library, file, or member name was not valid.

This is an example of using RCMD to run a Delete File (DLTF) command:

```
QUOTE RCMD DLTF FILE(mylib/myfile)
```

`mylib` is the name of the library from which the file is to be deleted. `myfile` is the name of the file to be deleted.

You might also be interested in reading about the REXEC server, which provides an alternative method for executing CL commands on a remote system.

Related concepts

[REXEC server](#)

Related reference

[File Transfer Protocol server syntax conventions](#)

Follow these syntax conventions when you use the File Transfer Protocol (FTP) server subcommands.

[QUOTE \(Send a Subcommand to an FTP Server\)](#)

The QUOTE IBM i FTP client subcommand sends a subcommand to an FTP server.

REIN (Reinitialize Session between Systems)

The REIN IBM i FTP server subcommand restarts a session on an FTP server.

FTP server subcommand

REIN

The REINITIALIZE subcommand:

1. Allows the completion of any transfer in progress
2. Ends the USER session and removes all input/output and account information
3. Resets all FTP server parameters to the default settings
4. Leaves the control connection open

Related reference

[File Transfer Protocol server syntax conventions](#)

Follow these syntax conventions when you use the File Transfer Protocol (FTP) server subcommands.

RETR (Retrieve File)

The RETR IBM i FTP server subcommand retrieves data from the FTP server.

FTP server subcommand

RETR *remotefile*

Related reference

[File Transfer Protocol server syntax conventions](#)

Follow these syntax conventions when you use the File Transfer Protocol (FTP) server subcommands.

RMD (Remove Directory)

The RMD IBM i FTP server subcommand removes a directory.

FTP server subcommand

RMD *directoryname*

Related reference

[File Transfer Protocol server syntax conventions](#)

Follow these syntax conventions when you use the File Transfer Protocol (FTP) server subcommands.

RNFR (Rename From)

The RNFR IBM i FTP server subcommand renames files. It must be immediately followed by an RNTO (Rename To) server subcommand.

FTP server subcommand

RNFR filename

filename

The name of the file you want renamed.

Note: The IBM i operating system cannot rename a file to a different file system.

Related reference

File Transfer Protocol server syntax conventions

Follow these syntax conventions when you use the File Transfer Protocol (FTP) server subcommands.

RNTO (Rename To)

The RNTO IBM i FTP server subcommand specifies the new file name when renaming files on the FTP server. It must immediately follow an RNFR subcommand, which specified the file name to be changed.

FTP server subcommand

RNTO filename

filename

The name to which the file you want renamed.

Note: The IBM i operating system cannot rename a file to a different file system.

Related reference

File Transfer Protocol server syntax conventions

Follow these syntax conventions when you use the File Transfer Protocol (FTP) server subcommands.

SITE (Send Information Used by a Server System)

The SITE IBM i FTP server subcommand sends information or provides services that are used by the FTP server.

FTP server subcommand

SITE [<i>parameters</i>]

IBM i FTP server supports these parameters for the SITE subcommand:

LISTFMT 0

The FTP server returns information for the LIST subcommand in the IBM i list format. The client on the IBM i platform supports both the IBM i format and the UNIX format.

LISTFMT 1

The FTP server returns information for the LIST subcommand in the UNIX style list format. The name of the file is the last item of each line returned. The client on the System i platform supports both the i5/OS format and the UNIX style format.

LISTFMT

Return a message that indicates the current FTP server LISTFMT setting.

Notes:

If you want to change the LISTFMT default on the server, use the LISTFMT option of the Change FTP attributes (CHGFTPA) command. You can also use System i Navigator to set this FTP server property:

1. From System i Navigator, expand ***your system*** > **Network** > **Servers** > **TCP/IP**.
2. In the right pane, right-click **FTP** and select **Properties**.
3. Click the **Initial Formats** tab.
4. Under the **File List** heading, click **i5/OS** or **UNIX** as the LISTFMT default on the FTP server.
5. Click **OK** to accept the changes.

NAMEFMT 0

Use the LIBRARY/FILE.MEMBER name format. This name format is only for library file system database files.

NAMEFMT 1

Use the path name format. This name format is for all file systems that are supported by FTP that include the library file system. Name format 1 must be used to work with all IBM i file systems other than the library file system.

NAMEFMT

Return a message that contains the current server file name format.

Note: You can configure the IBM i FTP server to the default NAMEFMT setting with the NAMEFMT option of the CHGFTPA command.

CRTCCSID *CALC

New database files created during ASCII file transfers use the related default EBCDIC CCSID of the ASCII file transfer CCSID.

CRTCCSID *USER

New database files created during ASCII file transfers use the current job CCSID. If this CCSID is 65535, the default CCSID is determined by the language id that specifies the current job.

CRTCCSID *SYSVAL

New database files created during ASCII file transfers use the CCSID that was specified by the QCCSID system value.

CRTCCSID [CCSID-number]

Specify the CCSID when creating database files on the client during ASCII file transfers. The server validates this value.

CRTCCSID

Display a message that contains the current FTP client CRTCCSID setting.

NULLFLDS 0

The FTP server does not allow transfer of database files that contain NULL fields. This is the default.

NULLFLDS 1

The FTP server allows the transfer of database files that contain NULL fields.

Note: The transfer of files that contain NULL fields requires both the client and server to have this setting enabled. If the server transfers a file that contains NULL fields to an FTP server that is not on the IBM i platform, or if the transfer type results in codepage conversion of the data, then results are unpredictable.

NULLFLDS

Return a message that indicates the current FTP server NULLFLDS setting.

TRIM 0

Set Trim option to OFF. The FTP server sends trailing blanks of database records.

TRIM 1

Set Trim option to ON. The FTP server does not send trailing blanks of database records when transferring database files that use file structure and stream mode. This is the default.

TRIM 2

The FTP server does not send trailing blanks of database records for all transfers, including record structure and block mode.

TRIM

Returns a message that indicates the current setting of the FTP server Trim option.

Notes:

1. Before this subcommand becomes available, trailing blanks of QSYS.LIB file system records are always removed before transferring the file to the FTP server.
2. TRIM settings do not apply to TYPE I (binary) file transfers. Blanks are never trimmed for TYPE I file transfers, regardless of the TRIM setting.

Related tasks

[Configuring FTP servers for graphical FTP clients and Web tools](#)

File Transfer Protocol (FTP) servers on the IBM i operating system support graphical FTP clients, Web browsers, and other Web tools. Because most graphical FTP clients use the UNIX-style format as their list format and path file as their file name format, you need to configure your FTP server to support these formats.

Related reference

[File and directory entries in IBM i format](#)

System i clients support listing the files on a File Transfer Protocol (FTP) server in both the IBM i format and the format specific to UNIX. This topic discusses the IBM i format.

[File and directory entries in UNIX-style format](#)

When listing files and directories on a File Transfer Protocol (FTP) server, IBM i clients list the files in both the IBM i format and the UNIX-style format. This topic discusses the UNIX format.

[LIST \(File List\)](#)

The LIST IBM i FTP server subcommand displays a list of directory entries, library contents, or files in a file group.

[File Transfer Protocol server syntax conventions](#)

Follow these syntax conventions when you use the File Transfer Protocol (FTP) server subcommands.

STOR (Store File)

The STOR IBM i FTP server subcommand saves data on a server and replaces an existing file.

FTP server subcommand

```
STOR remotefile
```

Related reference

[File Transfer Protocol server syntax conventions](#)

Follow these syntax conventions when you use the File Transfer Protocol (FTP) server subcommands.

STOU (Store Unique)

The STOU IBM i FTP server subcommand saves data on the FTP server and does not replace an existing file. The server generates a unique file name. The name assigned to the file appears in the reply that is sent back to the client.

FTP server subcommand

```
STOU remotefile
```

Related reference

[File Transfer Protocol server syntax conventions](#)

Follow these syntax conventions when you use the File Transfer Protocol (FTP) server subcommands.

STRU (Specify File Structure)

The STRU IBM i FTP server subcommand specifies the structure of a file as a continuous sequence of data bytes.

FTP server subcommand

```
STRU [F | R]
```

F

A file structure. The file structure is a continuous sequence of data bytes.

R

A record structure. The file is a sequence of sequential records.

Notes:

1. The file structure affects the transfer mode and the interpretation and storage of a file.
2. If there is no parameter, the server returns a reply that indicates the present specification for file structure.

Related reference

[File Transfer Protocol server syntax conventions](#)

Follow these syntax conventions when you use the File Transfer Protocol (FTP) server subcommands.

SYST (Identify the Name of the Operating System)

The SYST IBM i FTP server subcommand displays the name of the operating system that the FTP server is running on.

FTP server subcommand

```
SYST
```

The returned information is system dependent.

The FTP server reply includes the version of TCP/IP. Here is an example server reply:

```
i5/OS is the remote operating system. The TCP/IP version is "V4R4M0".
```

Related reference

[File Transfer Protocol server syntax conventions](#)

Follow these syntax conventions when you use the File Transfer Protocol (FTP) server subcommands.

TIME (Set Timeout Values for FTP Server)

The TIME IBM i FTP server subcommand sets the inactivity and transmit timeout value for the FTP server.

FTP server subcommand

After the FTP control connection is established between the FTP client and the FTP server, the FTP server controls the timeout for this connection. This is the inactivity timeout value.

There is also a timeout value for the data connection, known as the transfer timeout.

The format of the TIME FTP server subcommand is:

```
TIME inactivity [transfer]
```

inactivity

The number of seconds the server waits before ending the connection with the client. Inactivity timeout values can range from 1-9,999,999 seconds. The default inactivity timeout value is 300 seconds.

transfer

The file transfer timeout in seconds. This parameter is optional. If you do not specify this parameter, then the server does not change the current value. Transfer timeout values can range from 1-9,999,999 seconds. The default transfer timeout value is 420 seconds.

For example, to set the inactivity timeout value of the FTP server to 1000 seconds, and keep the current value of the transfer timeout, enter this:

```
QUOTE TIME 1000
```

The TIME subcommand is not a standard FTP subcommand. It is IBM i FTP server specific.

Related reference

File Transfer Protocol server syntax conventions

Follow these syntax conventions when you use the File Transfer Protocol (FTP) server subcommands.

TYPE (Specify Representation Type)

The TYPE IBM i FTP server subcommand specifies the file-transfer type or the representation in which the transfer is to take place.

FTP server subcommand

```
TYPE [ A
      | B [ 1 | 2 | 3 [A|R] | 4 [A|R ] | 5 | 6 | 7]
      | C ccsid#
      | E
      | F [ 1 ]
      | I ]
```

A

Specifies the transfer type as the default (ASCII) transfer type. The server does not associate any vertical format control with the file. The server only supports the default format NON PRINT for ASCII. The ASCII transfer type is for the transfer of text files, except when both systems use the EBCDIC type.

Note: The CCSID for TYPE A is the CCSID value of the FTP server configuration attributes. You can change these attributes with the CHGFTP command.

B

Shift JIS Kanji (CCSID 932)

B 1

Shift JIS Kanji (CCSID 932)

B 2

Extended UNIX Code Kanji (CCSID 5050)

B 3

JIS 1983 using ASCII shift-in escape sequence (CCSID 5054)

B 3 A

JIS 1983 using ASCII shift-in escape sequence (CCSID 5054)

B 3 R

JIS 1983 using JISROMAN shift-in escape sequence (CCSID 5052)

B 4

JIS 1978 using ASCII shift-in escape sequence (CCSID 5055)

B 4 A

JIS 1978 using ASCII shift-in escape sequence (CCSID 5055)

B 4 R

JIS 1978 using JISROMAN shift-in escape sequence (CCSID 5053)

B 5

Hangeul (CCSID 934)

B 6

Korean Standard Code KSC-5601, 1989 version (CCSID 949)

B 7

Traditional Chinese (5550) (CCSID 938)

C

Specifies the transfer type to any CCSID (coded character set identifier) that is installed on the system. The CCSID number must follow C.

E

Specifies the transfer type as EBCDIC. The server does not associate any vertical format control with the file. The server supports only the default format NON PRINT for EBCDIC. The EBCDIC transfer type is for efficient transfer between systems that use EBCDIC for their internal character representation.

F

IBM EBCDIC Kanji (CCSID 5035)

F 1

IBM EBCDIC Kanji (CCSID 5035)

I

Specifies the transfer type as image. With the image transfer type, data is a string of bits, packed into 8-bit bytes. The image transfer type efficiently stores and retrieves files and transfers binary data such as object code.

Related reference

[File Transfer Protocol server syntax conventions](#)

Follow these syntax conventions when you use the File Transfer Protocol (FTP) server subcommands.

USER (Send a User Logon ID to the Server)

The USER IBM i FTP server subcommand sends a user logon ID to the FTP server. If the USER subcommand is successful and the system is configured for password security, the FTP server sends a reply to the client and requests a password.

FTP server subcommand

USER username

username

The user profile on an IBM i operating system.

Note: When requested by the FTP server, the client sends the password to the FTP server with the server subcommand PASS. No password prompt occurs when the FTP server is running at security level 10.

Related reference

[File Transfer Protocol server syntax conventions](#)

Follow these syntax conventions when you use the File Transfer Protocol (FTP) server subcommands.

File Transfer Protocol client subcommands

You use File Transfer Protocol (FTP) client subcommands to establish a connection with a remote FTP server, navigate libraries and directories, create and delete files, and transfer files.

File Transfer Protocol (FTP) subcommands instruct the FTP client to transfer files from one computer to another.

You can access descriptions about client subcommands and their syntax from the following topics.

The IBM i FTP client uses these subcommands. The following table identifies client subcommands, the abbreviations, and a description of each subcommand.

Subcommand	What It Does
?	Describes How to Use FTP
ACCT	Sends a User's Account Information to a Remote System
APPEND	Adds a Local File Member to File on a Remote System
ASCII	Sets the File Transfer Type to ASCII Format

Subcommand	What It Does
<u>BINARY</u>	Sets the File Transfer Type to BINARY format
<u>“CCC (Clear Command Channel)” on page 65</u>	Changes the transmission mode in a control connection from the encrypted mode to the clear text mode
<u>CD</u>	Changes the Working Directory on Remote System
<u>CDUP</u>	Changes to the Parent Directory on Remote System
<u>CLOSE</u>	Ends a Session with the Remote System
<u>DEBUG</u>	Turns Debugging On or Off
<u>DEBUG</u>	Changes Client Time-out Values
<u>DELETE</u>	Deletes a File on the Remote System
<u>DIR</u>	Displays Directories and Files on the Remote System
<u>EBCDIC</u>	Sets the File Transfer Type to EBCDIC Format
<u>GET</u>	Copies a File from the Remote to a Local System
<u>HELP</u>	Gets Information about FTP Client Subcommands
<u>LCD</u>	Changes the Working Directory on Local System
<u>LOCSITE</u>	Specifies Local Site Information
<u>LOCSTAT</u>	Displays Local Status Information
<u>LPWD</u>	Displays the Working Directory on Local System
<u>LS</u>	Lists the Names of Files in a File Set on Remote System
<u>LTYPE</u>	Specifies the File Transfer Type on the Local System
<u>MDELETE</u>	Deletes Multiple Files on the Server System
<u>MGET</u>	Copies File or Files from the Remote System
<u>MKDIR</u>	Creates a Directory or Subdirectory
<u>MODE</u>	Specifies a Data Format for File Transfer
<u>MPUT</u>	Sends Local File or Files to the Remote System
<u>NAMEFMT</u>	Specifies a File Naming Format to Use
<u>NOOP</u>	Checks for a Response
<u>NULLFLDS</u>	Allows for NULL Fields
<u>OPEN</u>	Connects to an FTP Server
<u>PASS</u>	Sends a User's Password
<u>PUT</u>	Copies a Local File Member to Remote System
<u>PWD</u>	Displays the Current Directory of Remote System
<u>QUIT</u>	Ends an FTP Session
<u>QUOTE</u>	Sends a Subcommand to an FTP Server

Subcommand	What It Does
REINITIALIZE	Re-starts a Session on a Remote System
RENAME	Renames a File on a Remote System
RESET	Clears the Server Reply Queue
RMDIR	Removes a Directory on the Remote System
SECDATA	Specifies the protection level used for the data connection when there is a secure connection established with an FTP server.
SECOPEN	Opens a secure control connection to an FTP server using the specified security protocol.
SENDEPRT	Specifies Whether an EPRT Subcommand is Sent
SENDEPSV	Specifies Whether an EPSV Subcommand is Sent
SENDPASV	Specifies Whether a PASV Subcommand is Sent
SENDPORT	Specifies Whether a PORT Subcommand is Sent
SENDSITE	Specifies Whether a SITE Subcommand is Sent
SITE	Sends Information for Use by a Remote System
STATUS	Gets Status Information from a Remote System
STRUCT	Specifies the File Structure of Data Being Sent
SUNIQUE	Controls File Replacement
SYSCMD	Runs a CL Command on a Local System Without Quitting FTP
SYSTEM	Displays the OS on the Remote System
TYPE	Specifies the File Transfer Type
USER	Sends a User ID to a Remote System
VERBOSE	Controls the Display of FTP Server Replies

Related reference

[File Transfer Protocol server subcommands](#)

These subcommands represent communication between the File Transfer Protocol (FTP) client and the FTP server. This topic includes descriptions for IBM i CL-equivalent subcommands that are unique to the IBM i FTP server.

[File Transfer Protocol client syntax conventions](#)

Follow these syntax conventions when you use the File Transfer Protocol (FTP) client subcommands.

[Status messages from the File Transfer Protocol server](#)

When you enter subcommands during a File Transfer Protocol (FTP) client session, status messages return to your display in a 3-digit code: xyz. Each digit has certain values that indicate a different status.

ACCT (Send Account Information)

Some systems require account information to enable certain system functions. The remote system prompts you for such information. The ACCT IBM i FTP client subcommand sends the user's account information to a remote system.

FTP client subcommand

ACCT *account-information*

account-information

A string that identifies the user's account. Account information can take the form of a password that the host system uses to grant privileges. This password is not your user password, but rather it is a password on the remote system.

For example, TCP/IP on the IBM Virtual Machine (VM) operating system might require a password for read and write access to minidisks. Use the ACCT subcommand to supply a password for the minidisk of the current directory. If the remote system is a IBM i product, the ACCT subcommand performs no operation.

Related reference

[File Transfer Protocol client syntax conventions](#)

Follow these syntax conventions when you use the File Transfer Protocol (FTP) client subcommands.

[APPEND \(Append a Local File Member to a Remote File\)](#)

The APPEND IBM i FTP client subcommand adds a local file member, document, or other file system file to a remote file.

[DELETE \(Delete a File on a Remote System\)](#)

The DELETE IBM i FTP client subcommand deletes a file or database file member on a remote system. The remote system might prompt you for authorization to delete a file. Use the ACCT (Send Account Information) subcommand to respond to that request.

APPEND (Append a Local File Member to a Remote File)

The APPEND IBM i FTP client subcommand adds a local file member, document, or other file system file to a remote file.

FTP client subcommand

Append *localfile* [*remotefile*]

localfile

The name of the local file member, document, or other IBM i file. The name of the hierarchical file system (HFS) file added to a directory on the remote system.

remotefile

The file on the remote system. If you do not enter a remote file, the FTP client creates a default name.

If the remote file does not exist on the system, the FTP server creates it.

To add a file on the remote system, you must have write privileges to it. You can supply the appropriate account information by using the ACCT subcommand (see ACCT (Send Account Information)).

The default file copy mode is stream. You can change this by using the MODE subcommand. In the case of a fixed-record format in the remote file, the FTP server preserves the file format and record length of the remote file. Records from the local file member shorten or include blanks when necessary.

Related reference

[NAMEFMT \(Select File Naming Format\)](#)

The NAMEFMT IBM i FTP client subcommand selects which file name format to use on the local system and the remote system.

File names for client-transfer subcommands

You can use default source and target file names for some subcommands; however, you must specify a file name for other subcommands.

ACCT (Send Account Information)

Some systems require account information to enable certain system functions. The remote system prompts you for such information. The ACCT IBM i FTP client subcommand sends the user's account information to a remote system.

File Transfer Protocol client syntax conventions

Follow these syntax conventions when you use the File Transfer Protocol (FTP) client subcommands.

Naming files for transfer

The FTP client subcommands that you use for transferring data can have a **localfile** parameter, a **remotefile** parameter, or both. You can use these parameters to name the data you want to transfer.

ASCII (Change File Type to ASCII)

The ASCII IBM i FTP client subcommand sets the file transfer type to ASCII format.

FTP client subcommand

AScii

There are two basic file types you can use when transferring files with FTP: ASCII and BINARY. ASCII files are plain text files. They can have extensions like .txt or have no extension at all. BINARY files are programs or other non-text files saved in the file format of the application that created them or archived or compressed file formats.

Use the ASCII transfer type when transferring text files to or from an ASCII system that does not support EBCDIC representation. ASCII is the default transfer type. The FTP server does not associate a vertical format control to the file. ASCII only supports the default format NON PRINT.

Related concepts

Data transfer methods

Before you begin to transfer files, you must choose the appropriate file transfer type. You can use the default type, ASCII, or specify a different type such as EBCDIC or BINARY.

Related reference

Scenario: Transferring a file from a remote host

The scenario shows how to use basic functions of File Transfer Protocol (FTP) to get files from a remote host. In this scenario, the client and the server are both using i5/OS FTP.

BINARY (Set Transfer Type to Image)

The BINARY IBM i FTP client subcommand sets the file transfer type to BINARY format.

File Transfer Protocol client syntax conventions

Follow these syntax conventions when you use the File Transfer Protocol (FTP) client subcommands.

BINARY (Set Transfer Type to Image)

The BINARY IBM i FTP client subcommand sets the file transfer type to BINARY format.

FTP client subcommand

Binary

There are two basic file types you can use when transferring files with FTP: ASCII and BINARY. ASCII files are plain text files. They can have extensions like .txt or have no extension at all. BINARY files are

programs or other non-text files saved in the file format of the application that created them or archived or compressed file formats.

If you are transferring binary data to an existing IBM i file, the record length is the record length of the existing IBM i file. For example, the existing file size should accommodate the new data. If the file does not exist on the system, FTP chooses a record length for you.

Certain files, such as save files, require binary image transfer. If TYPE is not binary when attempting to transfer such files, you receive a message that tells you to use binary.

Related concepts

Data transfer methods

Before you begin to transfer files, you must choose the appropriate file transfer type. You can use the default type, ASCII, or specify a different type such as EBDCIC or BINARY.

Related reference

Scenario: Transferring a file from a remote host

The scenario shows how to use basic functions of File Transfer Protocol (FTP) to get files from a remote host. In this scenario, the client and the server are both using i5/OS FTP.

ASCII (Change File Type to ASCII)

The ASCII IBM i FTP client subcommand sets the file transfer type to ASCII format.

File Transfer Protocol client syntax conventions

Follow these syntax conventions when you use the File Transfer Protocol (FTP) client subcommands.

CCC (Clear Command Channel)

The CCC IBM i FTP client subcommand changes the transmission mode in a control connection from the encrypted mode to the clear-text mode.

FTP client subcommand

CCC

FTP supports two kinds of transmission modes: the clear text mode and the encrypted mode. If you use the clear text mode in an FTP control connection, you take the risk of exposing your sensitive information to an intruder. If you use the encrypted mode, the firewall is not able to monitor or change the information sent within the FTP control connection. Thus the firewall cannot perform some functions such as network address translation.

The Clear Command Channel (CCC) subcommand changes the transmission mode in a control connection from the encrypted mode to the clear text mode. Thus, you can secure sensitive information including your user name and password by sending them in the encrypted mode. Then you can use the CCC subcommand to change the transmission mode to the clear text mode and send the port and IP information.

Note:

After using the CCC subcommand, you send all your information in the clear text mode in the control connection. If the names of files or directories on your system contain sensitive information, be aware that any names sent on the control connection after running the CCC subcommand are not protected. However, the data connection transmission mode remains intact and the data transfer that happens afterward is still secure.

Customers can either allow or disallow an individual user to use CCC by granting the private authority to QIBM_QTMF_CLIENT_REQ_10 through System i Navigator Application Administration support or through the Change Function Usage (CHGFCNUSG) command; for example,

```
CHGFCNUSG FCNID(QIBM_QTMF_CLIENT_CCC) USER(user) USAGE(*ALLOWED)
```

Related reference

File Transfer Protocol client syntax conventions

Follow these syntax conventions when you use the File Transfer Protocol (FTP) client subcommands.

Related information

[Securing FTP with TLS](#)

CD (Change Working Directory or Library)

The CD IBM i FTP client subcommand changes the working directory, library, or file group on the remote system.

FTP client subcommand

<i>CD directory</i>

directory

The name of a file directory, library, or other system-dependent file-group designator on the remote system.

If the remote system is a IBM i product, this subcommand changes the current library or directory. To find out what directories are on the remote system, use the Directory (DIR) subcommand to get a listing.

Use the DIR subcommand with caution.

Note: When using the subcommand CD (or LCD) to change from one IBM i file system to another, you must specify the root directory of the file system that contains the new current directory.

Related reference

[DIR \(List Directory Entries, Libraries, or Files\)](#)

The DIR IBM i FTP client subcommand displays libraries and their contents or the remote system's list of directories and directory entries.

[File Transfer Protocol client syntax conventions](#)

Follow these syntax conventions when you use the File Transfer Protocol (FTP) client subcommands.

[LS \(List Remote File Names\)](#)

The LS IBM i FTP client subcommand lists the names of files in a file set on a remote system.

[File names for client-transfer subcommands](#)

You can use default source and target file names for some subcommands; however, you must specify a file name for other subcommands.

[Naming files for transfer](#)

The FTP client subcommands that you use for transferring data can have a **localfile** parameter, a **remotefile** parameter, or both. You can use these parameters to name the data you want to transfer.

CLOSE (End an FTP Session with the Remote System)

The CLOSE IBM i FTP client subcommand ends your session with the remote system and keeps FTP active on your local system.

FTP client subcommand

<i>CLOSE</i>

The CLOSE subcommand allows you to remain in the FTP environment to open another FTP session on another system. Use the OPEN subcommand to establish a new connection with the same remote system or another remote system. Use the QUIT subcommand to end FTP service and return to the IBM i environment from which FTP was started.

Related reference

[File Transfer Protocol client syntax conventions](#)

Follow these syntax conventions when you use the File Transfer Protocol (FTP) client subcommands.

DEBUG (Create Client Trace and Control Display of Server Subcommands Sent to Remote System)

The DEBUG IBM i FTP client subcommand turns debugging on or off.

Note: Only use the FTP client trace to report software problems to IBM. System performance might be affected by this function.

FTP client subcommand

The DEBUG FTP client subcommand produces an FTP client trace or display. The DEBUG subcommand toggles the debugging mode. If the client specifies an optional debug-value, it will use it to set the debugging level. When debugging is on, the client displays with the string '>>>'. You must set the debug-value to 100 to produce an FTP client trace.

```
DEBUg [debug value]
```

debug value

If the debug-value is 0, debugging is off. If the debug-value is a positive integer, debugging is on. If you don't specify a value, the debug value toggles from zero to one or from a positive integer to zero.

100

Initiate an FTP client trace. The client continues running the trace until the DEBUG is off or until the FTP server ends the FTP client. When the FTP server ends the trace, there might be a significant delay while it is formatting the trace data.

To initiate a trace immediately when the FTP client starts, you need to create the QTMFTPD100 data area in the QTEMP library by using this command:

```
CRTDTAARA DTAARA(QTEMP/QTMFTPD100) TYPE(*LGL) AUT(*USE)
```

If the QTMFTPD100 data area exists, then it will set the debug value to 100 and start an FTP client trace. The purpose of this capability is to enable the FTP client debug traces in those situations when an FTP client trace *cannot* start with the DEBUG 100 subcommand.

Related reference

[File Transfer Protocol client syntax conventions](#)

Follow these syntax conventions when you use the File Transfer Protocol (FTP) client subcommands.

DEBUG (Change Client Time-Out Limit Values)

The DEBUG IBM i FTP client subcommand changes the client timeout limits when the default timeout values are not long enough for a data transfer to be completed successfully. You only need to change these values in situations where network traffic or other conditions cause transfer times to become quite large.

FTP client subcommand

```
DEBUg T1 | T2 [ value ]
```

T1

Change or display the FTP client time-out limit for reading server replies. If the FTP client does not receive an expected server reply within this time limit, the client will close the control connection to the server.

T2

Change or display the FTP client time-out limit for transferring data. If the FTP client does not receive an expected data connection response within this time limit, the client will close the data connection to the server.

value

The time-out limit in seconds. This value must be a positive number greater than zero. When you omit this value, the client displays the current value of the time-out limit.

For example:

```
DEBUG T1 900
```

This value sets the client time-out value for server replies to 900 seconds.

Related reference

[File Transfer Protocol client syntax conventions](#)

Follow these syntax conventions when you use the File Transfer Protocol (FTP) client subcommands.

[File names for client-transfer subcommands](#)

You can use default source and target file names for some subcommands; however, you must specify a file name for other subcommands.

DELETE (Delete a File on a Remote System)

The DELETE IBM i FTP client subcommand deletes a file or database file member on a remote system. The remote system might prompt you for authorization to delete a file. Use the ACCT (Send Account Information) subcommand to respond to that request.

FTP client subcommand

```
DELEte remotefile
```

remotefile

The file you want to delete on the remote system.

Related reference

[NAMEFMT \(Select File Naming Format\)](#)

The NAMEFMT IBM i FTP client subcommand selects which file name format to use on the local system and the remote system.

[ACCT \(Send Account Information\)](#)

Some systems require account information to enable certain system functions. The remote system prompts you for such information. The ACCT IBM i FTP client subcommand sends the user's account information to a remote system.

[MDELETE \(Delete Multiple Files on a Remote System\)](#)

The MDELETE IBM i FTP client subcommand deletes multiple files on the FTP server.

[File Transfer Protocol client syntax conventions](#)

Follow these syntax conventions when you use the File Transfer Protocol (FTP) client subcommands.

[File names for client-transfer subcommands](#)

You can use default source and target file names for some subcommands; however, you must specify a file name for other subcommands.

[Naming files for transfer](#)

The FTP client subcommands that you use for transferring data can have a **localfile** parameter, a **remotefile** parameter, or both. You can use these parameters to name the data you want to transfer.

DIR (List Directory Entries, Libraries, or Files)

The DIR IBM i FTP client subcommand displays libraries and their contents or the remote system's list of directories and directory entries.

FTP client subcommand

```
DIr [ name ] [(Disk)]
```


name

The name of the directory or library. The default is the entire current directory or library. To make a library or directory current, use the Change Working Directory (CD) subcommand. How you specify a set of remote files depends on the system. Most systems allow a generic asterisk, (*). For example, if the remote system is a IBM i product, DIR MYLIB/MYFILE.* produces a list of all members of MYFILE in library MYLIB.

There are two possible file name formats you can use. The example shown here uses NAMEFMT 0. For information about FTP file naming, see [“NAMEFMT \(Select File Naming Format\)”](#) on page 78.

(Disk

Stores the results of the DIR subcommand in the file *CURLIB/DIROUTPUT.DIROUTPUT, instead of showing the results on the display.

If the remote system is a IBM i product, the information includes:

- For database files, the *FILE objects, and members.
- For hierarchical file system (HFS) files:
 - All document library services (QDLS) folders and their contents, which can be other folders or documents.
 - All optical volumes (QOPT) and their contents, which can be directories or files.

Use the DIR subcommand with caution. If you enter the DIR subcommand without any parameters, the server produces a listing of all the current directory files. This might be a much longer list than you want.

To get a list of the file names in a directory, use the List (LS) subcommand.

Related reference

[CD \(Change Working Directory or Library\)](#)

The CD IBM i FTP client subcommand changes the working directory, library, or file group on the remote system.

[LS \(List Remote File Names\)](#)

The LS IBM i FTP client subcommand lists the names of files in a file set on a remote system.

[File Transfer Protocol client syntax conventions](#)

Follow these syntax conventions when you use the File Transfer Protocol (FTP) client subcommands.

EBCDIC (Change File Type to EBCDIC)

The EBCDIC IBM i FTP client subcommand sets the file transfer type to EBCDIC format. The EBCDIC transfer type is useful when you transfer files to or from another EBCDIC system, because it avoids the need to convert between ASCII and EBCDIC on both systems.

FTP client subcommand

EBcdic

Related concepts

[Data transfer methods](#)

Before you begin to transfer files, you must choose the appropriate file transfer type. You can use the default type, ASCII, or specify a different type such as EBCDIC or BINARY.

Related reference

[File Transfer Protocol client syntax conventions](#)

Follow these syntax conventions when you use the File Transfer Protocol (FTP) client subcommands.

GET (Copy a File from a Remote System to the Local System)

The GET IBM i FTP client subcommand copies a file from the remote system to the local system.

FTP client subcommand

```
Get remotefile [localfile]  
[(Replace)]
```

remotefile

The file that you want to retrieve from the remote system.

localfile

The local file member, document, or other file you want to create. If you do not specify a local file name, the FTP client provides a default name. For information about the default names, see Default file names for client transfer subcommands.

(Replace

Writes over the localfile if it already exists. The server does not overwrite the localfile unless you specify (Replace).

The file system in which the file resides determines which file name format you use with the GET subcommand.

- If the file does not reside in the library file system (QSYS.LIB), you must use the GET subcommand in name format (NAMEFMT) 1:

```
GET /QDLS/QIWSOS2/PCSMENU.EXE
```

- If the file resides in the library file system, use the GET subcommand and the name format (NAMEFMT) set to 0:

```
GET YOURLIB/YOURFILE.YOURMBR (REPLACE
```

Assuming that the remote system is a IBM i product, this command gets the YOURMBR member of YOURFILE file in YOURLIB library and places it in YOURMBR member of YOURFILE file in your current directory on your local system.

Note: If the remote file name requires apostrophes as part of the file name, then enclose the file name within two more sets of apostrophes. The following example gets 'MEMBER.ONE' from the remote host.

```
GET LIBRARY/FILE.MEMBER 'MEMBER.ONE'
```

Related tasks

Enclosing subcommand parameters

You can use either a single quotation mark (') or quotation marks (") to enclose parameters.

Related reference

File names for client-transfer subcommands

You can use default source and target file names for some subcommands; however, you must specify a file name for other subcommands.

LCD (Change Working Library or Directory on Local System)

The LCD IBM i FTP client subcommand changes the working directory on the local system.

File Transfer Protocol client syntax conventions

Follow these syntax conventions when you use the File Transfer Protocol (FTP) client subcommands.

MGET (Copy Multiple Files from a Remote System to the Local System)

The MGET IBM i FTP client subcommand copies multiple files from the remote system.

PUT (Copy a File Member from the Local System to a File on a Remote System)

The PUT IBM i FTP client subcommand copies a local file member to the remote system.

MPUT (Send Multiple File Members from the Local System to a Remote System)

The MPUT IBM i FTP client subcommand copies multiple local files to the remote system.

Naming files for transfer

The FTP client subcommands that you use for transferring data can have a **localfile** parameter, a **remotefile** parameter, or both. You can use these parameters to name the data you want to transfer.

HELP (Getting Help for FTP Subcommands)

The HELP IBM i FTP client subcommand provides information about the FTP subcommands that the local system and the remote system use.

Help for FTP client subcommands

To get information about FTP subcommands used by the local system, use the HELP subcommand in this format:

```
Help [* | ALL | subcommand ]
```

*** or ALL**

Displays a list of the FTP client subcommands.

subcommand

Provides detailed help for the specified client subcommand. For example, HELP GET tells you how to transfer a file from a remote system to your local system. You may abbreviate the subcommand to a meaningful prefix.

If you use the HELP subcommand without a parameter, you see a list of subcommands and a general description of the help information available. Context-sensitive help is available by positioning the cursor over a command on the help display and then pressing the Enter key.

To get the list of local subcommands on your system, enter the following command:

```
HELP
```

Help information can be obtained with the ? subcommand.

Help for FTP server subcommands

To obtain help for FTP subcommands on the remote system, use the HELP subcommand in this format:

```
Help SERVER [subcommand]
```

SERVER

Gives the help the remote system offers for FTP server subcommands. This is similar to using QUOTE with the HELP parameter. QUOTE HELP lists the FTP subcommands supported by the remote system.

subcommand

The name of the server subcommand that you want the information. For example, HELP SERVER STOR will request the server to provide help on the STOR subcommand.

Note: RHELP is a synonym for HELP SERVER. For example, HELP SERVER SITE and RHELP SITE are equivalent.

Related reference

QUOTE (Send a Subcommand to an FTP Server)

The QUOTE IBM i FTP client subcommand sends a subcommand to an FTP server.

File Transfer Protocol client syntax conventions

Follow these syntax conventions when you use the File Transfer Protocol (FTP) client subcommands.

LCD (Change Working Library or Directory on Local System)

The LCD IBM i FTP client subcommand changes the working directory on the local system.

FTP client subcommand

LCd pathname

pathname

The name of a library, folder, or directory on the local system.

Notes:

1. The LCD subcommand does not change the current library entry of the library list.
2. When using the subcommand CD (or LCD) to change from one file system to another file system, you must specify the "root" directory, for example, /QDLS or /QOPT.

Related reference

[GET \(Copy a File from a Remote System to the Local System\)](#)

The GET IBM i FTP client subcommand copies a file from the remote system to the local system.

[File Transfer Protocol client syntax conventions](#)

Follow these syntax conventions when you use the File Transfer Protocol (FTP) client subcommands.

[File names for client-transfer subcommands](#)

You can use default source and target file names for some subcommands; however, you must specify a file name for other subcommands.

[Naming files for transfer](#)

The FTP client subcommands that you use for transferring data can have a **localfile** parameter, a **remotefile** parameter, or both. You can use these parameters to name the data you want to transfer.

LOCSITE (Specify Local Site Information)

The LOCSITE IBM i FTP client subcommand specifies information that is used by the FTP client to provide services specific to the client system.

FTP client subcommand

LOCSITE [parameters]

The IBM i FTP client supports these parameters and parameter options for the LOCSITE subcommand:

CRTCCSID *CALC

New database files created during ASCII file transfers use the related default EBCDIC CCSID of the ASCII file transfer CCSID. This is the default value.

CRTCCSID *USER

New database files created during ASCII file transfers use the current job CCSID. However, if this CCSID is 65535, the default CCSID determined by the language id in the current job specification.

CRTCCSID *SYSVAL

New database files created during ASCII file transfers use the CCSID that the QCCSID system value specifies.

CRTCCSID [CCSID-number]

Specify the CCSID you want to use when creating database files on the client during ASCII file transfers. The FTP server validates this value.

CRTCCSID

Display a message that contains the current FTP client CRTCCSID setting.

TRIM 0

Set Trim option to OFF. The FTP server sends trailing blanks of database records.

TRIM 1

Set Trim option to ON. The FTP server does not send trailing blanks of database records when transferring database files that use file structure and stream mode. This is the default.

TRIM 2

Set Trim option so the server does not send trailing blanks of database records for all transfers, including record structure and block mode.

TRIM

Display a message that contains the current setting of the FTP client TRIM option.

Notes:

1. Prior to the availability of this subcommand, trailing blanks of QSYS.LIB file system records were always removed before transferring the file to the FTP server.
2. TRIM settings do not apply to TYPE I (binary) file transfers. Blanks are never trimmed for TYPE I file transfers, regardless of the TRIM setting.

DTAPROT C

Set the data protection variable to C (Clear). This variable is used to set the data protection level when opening a secure control connection. For more details about setting data protection security, refer to the following subcommands: SECData and SECOpen.

DTAPROT P

Set the data protection variable to P (Private). This variable is used to set the data protection level when opening a secure control connection.

DTAPROT

Display a message that contains the current value of the data protection variable.

Related reference**SECData (Setting Data Security Protection)**

The SECData IBM i FTP client subcommand specifies the protection level to be used for the data connection when a secure control connection is already established with the remote system.

SECOpen (Setting Data Security Protection)

The SECOpen IBM i FTP client subcommand opens a secure control connection to an FTP server using the specified security option.

File Transfer Protocol client syntax conventions

Follow these syntax conventions when you use the File Transfer Protocol (FTP) client subcommands.

LOCSTAT (Display Local Status Information)

The LOCSTAT IBM i FTP client subcommand displays local status information.

FTP client subcommand

LOCStat

Displays Local status information, including:

- The current setting of the SENDSITE subcommand
- The current setting of the SENDPORT subcommand
- Remote system name, port number, and logon status
- Data type and transfer mode
- Name format value for both the client and the server
- Setting for the VERBOSE mode
- Setting for the DEBUG mode

Related reference

[File Transfer Protocol client syntax conventions](#)

Follow these syntax conventions when you use the File Transfer Protocol (FTP) client subcommands.

LS (List Remote File Names)

The LS IBM i FTP client subcommand lists the names of files in a file set on a remote system.

FTP client subcommand

```
LS [ name] [(Disk]
```

name

The remote directory, file, or library that you want to list. If the remote system is a IBM i product, the FTP server lists the file names and its members. The default is to list the entire current directory, library, or folder. To change the current directory, library, or folder, use the CD subcommand. The remote file specification is system dependent.

(Disk

Stores the results of the LS subcommand in the file *CURLIB/LSOUTPUT .LSOUTPUT, instead of showing the results on the display. Each time you specify the (Disk parameter with the same *CURLIB, the FTP server changes the contents of the LSOUTPUT.LSOUTPUT member file.

Note: If the FTP server returns a negative reply code (550), then there will be no LSOUTPUT member. If the FTP server returns a positive reply code (150) without any file names, then an LSOUTPUT member with no records will result.

The LS subcommand lists the file names only. To get a list of complete directory entries with additional information about the files, see [“DIR \(List Directory Entries, Libraries, or Files\)”](#) on page 68.

Related reference

[DIR \(List Directory Entries, Libraries, or Files\)](#)

The DIR IBM i FTP client subcommand displays libraries and their contents or the remote system's list of directories and directory entries.

[CD \(Change Working Directory or Library\)](#)

The CD IBM i FTP client subcommand changes the working directory, library, or file group on the remote system.

[File Transfer Protocol client syntax conventions](#)

Follow these syntax conventions when you use the File Transfer Protocol (FTP) client subcommands.

LTYPE (Local Type)

The LTYPE IBM i FTP client subcommand specifies the file transfer type or the representation in which the transfer is to take place on the local system.

FTP client subcommand

```
LType C ccsid#
```

C

The CCSID type. Code this value as C.

ccsid#

The CCSID value. Code this value as a CCSID number 1-65533.

Note: The LTYPE subcommand is similar to the TYPE subcommand. The LTYPE subcommand changes only the representation type on the client side. The TYPE subcommand changes the representation type on both the client and the server.

Related reference

[TYPE \(Specify File Transfer Type\)](#)

The TYPE IBM i FTP client subcommand specifies the file-transfer type, or the representation in which the transfer is to take place.

[File Transfer Protocol client syntax conventions](#)

Follow these syntax conventions when you use the File Transfer Protocol (FTP) client subcommands.

MDELETE (Delete Multiple Files on a Remote System)

The MDELETE IBM i FTP client subcommand deletes multiple files on the FTP server.

FTP client subcommand

```
MDelete { remotefile [remotefile...]}
```

remotefile

The files that you want to delete on the FTP server.

Note: When the remote file is a QSYS.LIB file, the FTP server deletes all members of the physical file. The file itself remains.

The following is an example of a library file system in NAMEFMT 0:

```
MDELETE MYLIB/FILE1.MBRA YOURLIB/FILE2.MBRB
```

The previous example deletes member MBRA in file FILE1 in library MYLIB and member MBRB in file FILE2 in library YOURLIB on a remote system. The following is the same example in NAMEFMT 1:

```
MDELETE /QSYS.LIB/MYLIB.LIB/FILE1.FILE/MBRA.MBR  
/QSYS.LIB/YOURLIB.LIB/FILE2.FILE./MBRB.MBR
```

The following is an example of a document library system in NAMEFMT 1:

```
MDELETE /QDLS/QIWSOS2/PCSMENU.EXE /QDLS/PCSDIR/PCSFIL.EXE
```

The previous example deletes document PCSMENU.EXE in folder QIWSOS2 in the document library services library, and also deletes PCSFILE.EXE in folder PCSDIR in the QDLS library.

You can use an asterisk (*) to delete the files generically. For example, with NAMEFMT 0, if the remote system is a IBM i product, type:

```
MDELETE MYLIB/MYFILE.*
```

This example would delete all members of file MYFILE in library MYLIB. Use of the asterisk is only valid at the end of a character string.

Related reference

[DELETE \(Delete a File on a Remote System\)](#)

The DELETE IBM i FTP client subcommand deletes a file or database file member on a remote system. The remote system might prompt you for authorization to delete a file. Use the ACCT (Send Account Information) subcommand to respond to that request.

[File Transfer Protocol client syntax conventions](#)

Follow these syntax conventions when you use the File Transfer Protocol (FTP) client subcommands.

[File names for client-transfer subcommands](#)

You can use default source and target file names for some subcommands; however, you must specify a file name for other subcommands.

[Naming files for transfer](#)

The FTP client subcommands that you use for transferring data can have a **localfile** parameter, a **remotefile** parameter, or both. You can use these parameters to name the data you want to transfer.

MGET (Copy Multiple Files from a Remote System to the Local System)

The MGET IBM i FTP client subcommand copies multiple files from the remote system.

FTP client subcommand

How MGET transfers files:

When you enter the MGET subcommand, a separate GET subcommand is run for each remote file that you want to transfer. The FTP server creates the name of the corresponding local file automatically as determined by the default naming rules.

The MGET FTP client subcommand uses the following process to determine where to put files.

- The MGET subcommand always places files in the current library or directory.
- If the user has issued the LCD subcommand, the FTP server uses this library or directory.
- If the user has not issued the LCD subcommand, the FTP server sets the current directory as follows
 - If the user's job has a current library set, this library is the current directory for FTP.
 - If the user's job does not have a current library set, the FTP server uses QGPL as the current directory.

```
MGet {remotefile  
[remotefile...]}{(Replace)}
```

remotefile

The file or files you want to retrieve from the remote system.

(Replace

Overwrites an existing file on your local system. If the file already exists on your local system and you do not use the Replace option, the existing file is not overwritten. The name of the local file where the remotefile is copied is created automatically.

You can use an asterisk (*) to copy all members in a file to your current library or directory. For example, if the remote system is a IBM i product, the following examples apply:

- MGET MYLIB/MYFILE . * copies all the members of file MYFILE in library MYLIB on the remote system to your current library on the local system.
- MGET /QSYS.LIB/MYLIB.LIB/MYFILE.FILE/ * .MBR would be the NAMEFMT 1 version of this command.
- MGET /QOPT/PICTURES/IMAGES/ . * copies all the files of directory IMAGES from optical volume PICTURES to your current library (or directory) on the local system.
- MGET TESTFILE.A * copies all members that start with the letter A in file TESTFILE.
- MGET /QDLS/QISSOS2/A * copies all documents that start with the letter A in folder QISSOS2.

Related reference

[GET \(Copy a File from a Remote System to the Local System\)](#)

The GET IBM i FTP client subcommand copies a file from the remote system to the local system.

[File Transfer Protocol client syntax conventions](#)

Follow these syntax conventions when you use the File Transfer Protocol (FTP) client subcommands.

[MPUT \(Send Multiple File Members from the Local System to a Remote System\)](#)

The MPUT IBM i FTP client subcommand copies multiple local files to the remote system.

[PUT \(Copy a File Member from the Local System to a File on a Remote System\)](#)

The PUT IBM i FTP client subcommand copies a local file member to the remote system.

[File names for client-transfer subcommands](#)

You can use default source and target file names for some subcommands; however, you must specify a file name for other subcommands.

Naming files for transfer

The FTP client subcommands that you use for transferring data can have a **localfile** parameter, a **remotefile** parameter, or both. You can use these parameters to name the data you want to transfer.

MKDIR (Make Directory)

The MKDIR IBM i FTP client subcommand creates a directory or subdirectory.

FTP client subcommand

```
MKdir pathname
```

pathname

The name of a file directory, library, or other system-dependent file-group designator on the remote system.

Related reference

File Transfer Protocol client syntax conventions

Follow these syntax conventions when you use the File Transfer Protocol (FTP) client subcommands.

MODE (Specify Transmission Mode of Data)

The MODE IBM i FTP client subcommand specifies a data format for file transfer.

FTP client subcommand

```
MODE [ B | S ]
```

B

Specifies block mode. In this mode, the FTP server transmits data as a series of data blocks, preceded by one or more header bytes. If you are transferring data in block mode, the type must be EBCDIC.

S

Specifies stream mode. In this mode, the FTP server transmits data as a stream of bytes. You can use any representation type with stream mode.

Notes:

1. Stream mode is the default transfer mode that is used in FTP. Some systems do not support block mode.
2. If you omit the optional parameter, the client displays the present MODE value.

Related reference

File Transfer Protocol client syntax conventions

Follow these syntax conventions when you use the File Transfer Protocol (FTP) client subcommands.

MPUT (Send Multiple File Members from the Local System to a Remote System)

The MPUT IBM i FTP client subcommand copies multiple local files to the remote system.

FTP client subcommand

When you enter the MPUT subcommand, the client runs a separate PUT subcommand for each local file that you want to transfer. The default naming rules create the name of the corresponding remote file.

```
MPut { localfile [localfile...]}
```

localfile

Specify one or more local library file system file members or other FTP supported file system files you want transferred to the remote system. The client automatically generates the name given to the file on the remote system.

Note: If the remote file already exists, the contents are replaced by the contents of *localfile* unless Store Unique (SUNIQUE) is on.

For information as to how to specify the file if the remote system is a IBM i product, see [“NAMEFMT \(Select File Naming Format\)”](#) on page 78.

The following example uses NAMEFMT 0:

```
MPUT MYLIB/FILE1.MBR1 MYLIB/FILE1.MBR2
```

The previous example sends members MBR1 and MBR2 of file FILE1 in library MYLIB to the remote system.

The following example uses NAMEFMT 1:

```
MPUT /QDLS/QIWSOS2/PCSMENU.EXE /QDLS/QIWSOS2/PCSMENU2.EXE
```

The previous example sends document PCSMENU.EXE and document PCSMENU2.EXE from folder QIWSOS2 to the remote system.

You can use an asterisk (*) to send all the members in a file. For example, MPUT MYLIB/MYFILE.* transfers all the members of file MYFILE in library MYLIB.

Related reference

[GET \(Copy a File from a Remote System to the Local System\)](#)

The GET IBM i FTP client subcommand copies a file from the remote system to the local system.

[SUNIQUE \(Control Overwriting of Files\)](#)

The SUNIQUE IBM i FTP client subcommand controls file replacement. SUNIQUE is a separate command that has to be issued before the PUT or MPUT subcommands.

[MGET \(Copy Multiple Files from a Remote System to the Local System\)](#)

The MGET IBM i FTP client subcommand copies multiple files from the remote system.

[File Transfer Protocol client syntax conventions](#)

Follow these syntax conventions when you use the File Transfer Protocol (FTP) client subcommands.

[PUT \(Copy a File Member from the Local System to a File on a Remote System\)](#)

The PUT IBM i FTP client subcommand copies a local file member to the remote system.

[File names for client-transfer subcommands](#)

You can use default source and target file names for some subcommands; however, you must specify a file name for other subcommands.

[Naming files for transfer](#)

The FTP client subcommands that you use for transferring data can have a **localfile** parameter, a **remotefile** parameter, or both. You can use these parameters to name the data you want to transfer.

NAMEFMT (Select File Naming Format)

The NAMEFMT IBM i FTP client subcommand selects which file name format to use on the local system and the remote system.

FTP client subcommand

NAmefmt [0 1]

0

A name format only for library file system database files. The general format is:

```
[libname/]filename[.mbiname]
```

1

A name format for all file systems that FTP supports, including the library file system. You must set the name format to 1 to work with all IBM i file systems.

Library file system files in this name format are:

```
[/QSYS.LIB/][libname.LIB/]filename.FILE[/mbiname.MBR]
```

For save files, you can also use the format:

```
/QSYS.LIB/libname.LIB/filename.SAVF
```

Files in the document library services file system are in this format:

```
[/QDLS/][{foldername[.ext]/}]filename[.ext]
```

For optical, the format is:

```
/QOPT/volname/dirname/filename.ext
```

Notes:

1. You can set the name format to 0 only when the working directory is a database library.
2. If you specify the NAMEFMT subcommand without a parameter, the client displays the current name format.

Related reference

[APPEND \(Append a Local File Member to a Remote File\)](#)

The APPEND IBM i FTP client subcommand adds a local file member, document, or other file system file to a remote file.

[DELETE \(Delete a File on a Remote System\)](#)

The DELETE IBM i FTP client subcommand deletes a file or database file member on a remote system. The remote system might prompt you for authorization to delete a file. Use the ACCT (Send Account Information) subcommand to respond to that request.

[File systems and naming conventions](#)

The File Transfer Protocol (FTP) server arranges the information units of a file system in a multiple-level tree-like structure.

[File Transfer Protocol client syntax conventions](#)

Follow these syntax conventions when you use the File Transfer Protocol (FTP) client subcommands.

NULLFLDS (Allow Transfer of Files with NULL Fields)

The NULLFLDS IBM i FTP client subcommand determines whether to allow the transfer of database files that contain NULL field values on the local system and the remote system.

FTP client subcommand

```
NULLflds [ 0 | 1 ]
```

When you enter a parameter the valid values are:

0

Do not allow the transfer of database files that contain NULL fields. This is the default.

1

Allow the transfer of database files that contain NULL fields.

Notes:

1. The transfer of files that contain NULL fields requires both the client and server to have this setting enabled. The target file must exist prior to the file transfer. Also, the target file must have the same file definition as the source file.
2. Results are not predictable if you transfer a file that contains NULL fields to a system that is not a IBM i product, or if the transfer type results in codepage conversion of the data.
3. If you specify the NULLFLDS subcommand without a parameter, the client displays the current setting.

Related reference

[File Transfer Protocol client syntax conventions](#)

Follow these syntax conventions when you use the File Transfer Protocol (FTP) client subcommands.

OPEN (Connect to FTP Server on a Remote System)

The OPEN IBM i FTP client subcommand connects your FTP client to an FTP server.

FTP client subcommand

```
Open systemname [portnumber]
```

systemname

The name or Internet address of the remote system.

portnumber

The port number to use for this session until the FTP server closes the connection. This is optional. If you do not specify a port number, the FTP server chooses one.

After you have opened a connection to a remote system, you cannot connect to another system until you close the current session.

Related reference

[File Transfer Protocol client syntax conventions](#)

Follow these syntax conventions when you use the File Transfer Protocol (FTP) client subcommands.

PASS (Send Your Password)

The PASS IBM i FTP client subcommand sends a user's password to the FTP server.

FTP client subcommand

```
PAss password
```

password

A string that specifies your password.

The OPEN and USER subcommands must precede this subcommand. For some systems, this completes your identification for access control. This subcommand is not necessary when the FTP server requests you to type a password when connecting or logging on to the FTP server.

Related reference

[File Transfer Protocol client syntax conventions](#)

Follow these syntax conventions when you use the File Transfer Protocol (FTP) client subcommands.

PUT (Copy a File Member from the Local System to a File on a Remote System)

The PUT IBM i FTP client subcommand copies a local file member to the remote system.

FTP client subcommand

```
PUT localfile [remotefile]
```

localfile

The name of a local library system file member, save file, document, or other file.

remotefile

The name of the delivered file on the remote system. If you do not specify the remote file name, the FTP server provides a default name. If a remote file with the same name already exists, then the FTP server replaces the contents of the remote file with the contents of the local file unless the Store Unique (SUNIQUE) value is on.

To send a file to the remote system, you must have a defined current working directory with write privileges.

The following example uses the PUT subcommand to transfer a file member:

```
PUT MYLIB/MYFILE.MYMBR (NAMEFMT = 0)
```

The previous example sends member MYMBR of file MYFILE in library MYLIB to the remote system.

The following example sends the document PCSMENU.EXE of folder QIWSOS2 in the document library services file system to the remote system.

```
PUT /QDLS/QIWSOS2/PCSMENU.EXE (NAMEFMT = 1)
```

Note: If the remote file name requires apostrophes as part of the file name, then you must enclose the file name within two more sets of apostrophes. The following example sends 'MEMBER.ONE' as the file name to the remote host.

```
PUT LIBRARY/FILE.MEMBER 'MEMBER.ONE'
```

Related tasksEnclosing subcommand parameters

You can use either a single quotation mark (') or quotation marks (") to enclose parameters.

Related referenceGET (Copy a File from a Remote System to the Local System)

The GET IBM i FTP client subcommand copies a file from the remote system to the local system.

MPUT (Send Multiple File Members from the Local System to a Remote System)

The MPUT IBM i FTP client subcommand copies multiple local files to the remote system.

File names for client-transfer subcommands

You can use default source and target file names for some subcommands; however, you must specify a file name for other subcommands.

SUNIQUE (Control Overwriting of Files)

The SUNIQUE IBM i FTP client subcommand controls file replacement. SUNIQUE is a separate command that has to be issued before the PUT or MPUT subcommands.

File Transfer Protocol client syntax conventions

Follow these syntax conventions when you use the File Transfer Protocol (FTP) client subcommands.

MGET (Copy Multiple Files from a Remote System to the Local System)

The MGET IBM i FTP client subcommand copies multiple files from the remote system.

Naming files for transfer

The FTP client subcommands that you use for transferring data can have a **localfile** parameter, a **remotefile** parameter, or both. You can use these parameters to name the data you want to transfer.

PWD (Display Current Directory, Folder, or Library)

The PWD IBM i FTP client subcommand displays the current directory of the remote system.

FTP client subcommand

To display the current directory or library of the remote system, use the PWD FTP client subcommand:

```
PWd
```

If the remote server is an i5/OS operating system, the server displays your current library or file system directory on the remote system. Also, the server displays the working directory in quotation marks. To change the current library or directory of the remote system, use the Change Working Directory (CD) subcommand.

Related reference

[File Transfer Protocol client syntax conventions](#)

Follow these syntax conventions when you use the File Transfer Protocol (FTP) client subcommands.

QUOTE (Send a Subcommand to an FTP Server)

The QUOTE IBM i FTP client subcommand sends a subcommand to an FTP server.

FTP client subcommand

```
QUOTE string
```

string

The server subcommand you want sent to and interpreted by the remote FTP server. The FTP server sends the string verbatim to the remote FTP server.

Notes:

1. The client requires the QUOTE subcommand to run the special IBM i FTP server subcommand RCMD (Send a CL Command to an FTP Server System). For example, to write the FTP server job log to a spooled file, enter this:

```
QUOTE RCMD DSPJOBLOG
```

You can use the Work with Spooled Files (WRKSPLF) command to access the job log. If the WRKSPLF is run from a different user profile, you will need to specify the user profile of the user who logged in to the FTP server.

2. IBM i FTP server limits the string to 1000 characters.
3. For the QUOTE subcommand, whatever you enter passes on to the FTP server. For example, if you enter:

```
QUOTE CWD 'SYS1'
```

The FTP server receives

```
CWD 'SYS1'
```

You can get help information from the FTP server by typing this:

```
QUOTE HELP
```

The FTP server sends the HELP subcommand to the remote host, which returns a display of all subcommands it supports. The information displayed varies depending on the type of remote host.

It should be noted that FTP server subcommands entered with the QUOTE subcommand only affect the FTP server, but similar client subcommands might affect both the client and the server. For example, the REIN client subcommand sends the FTP server a REIN server subcommand plus reinitializes certain client state variables. QUOTE REIN sends only REIN to the FTP server, but does not change any client state variables.

Note: Be careful when you use the QUOTE subcommand to directly enter server subcommands so that unintended results do not occur. Typically, use the QUOTE subcommand for special situations that cannot

use other client subcommands. An example of this is when you want to use one of the special IBM i FTP server subcommands like CTRL.

Related concepts

Server timeout considerations

The inactivity timeout value is the time in seconds without File Transfer Protocol (FTP) server activities that cause the FTP server to close the session. You can keep your FTP connection from timing out.

Related reference

HELP (Getting Help for FTP Subcommands)

The HELP IBM i FTP client subcommand provides information about the FTP subcommands that the local system and the remote system use.

RCMD (Send a CL Command to an FTP Server System)

The server subcommand RCMD runs IBM i control language (CL) commands on the FTP server. The length of the RCMD subcommand string is up to 1000 characters. Because no prompting is available for the RCMD subcommand, the RCMD subcommand string must include all necessary parameters to run the CL command.

Work with Spooled Files (WRKSPLF)

File Transfer Protocol client syntax conventions

Follow these syntax conventions when you use the File Transfer Protocol (FTP) client subcommands.

File systems and naming conventions

The File Transfer Protocol (FTP) server arranges the information units of a file system in a multiple-level tree-like structure.

REINITIALIZE (Reinitialize Session between Systems)

The REINITIALIZE IBM i FTP client subcommand restarts a session on a remote system.

FTP client subcommand

REInitialize

If the FTP server supports the REINITIALIZE subcommand, the USER session with the FTP server is ended. The FTP server is in the same state as when the connection is re-established, and the user needs to log on again to continue.

Any file transfers already in progress can complete before the USER session ends.

Related reference

File Transfer Protocol client syntax conventions

Follow these syntax conventions when you use the File Transfer Protocol (FTP) client subcommands.

RENAME (Rename a File on a Remote System)

The RENAME IBM i FTP client subcommand renames a file on a remote system.

FTP client subcommand

REname <i>originalname newname</i>

originalname

The present name of the remote file.

newname

The new name of the remote file. If the file specified by *newname* already exists, the new file replaces it.

This example renames the file SPORTSCAR.BMP in directory IMAGES on optical volume PICTURES to CAR.BMP:

```
REN /QOPT/PICTURES/IMAGES/SPORTSCAR.BMP  
/QOPT/PICTURES/IMAGES/CAR.BMP
```

Note: On the IBM i operating system, you cannot rename a file to a different file system.

Related reference

[File Transfer Protocol client syntax conventions](#)

Follow these syntax conventions when you use the File Transfer Protocol (FTP) client subcommands.

RESET (Reset)

The RESET IBM i FTP client subcommand clears the server reply queue. This subcommand resynchronizes the sequencing of the server subcommands and replies with the remote FTP server. Resynchronization might be necessary after a violation of the FTP protocol by the remote system.

FTP client subcommand

To clear the FTP server reply queue, use the RESET FTP client subcommand:

```
REset
```

Related reference

[File Transfer Protocol client syntax conventions](#)

Follow these syntax conventions when you use the File Transfer Protocol (FTP) client subcommands.

RMDIR (Remove Directory)

The RMDIR IBM i FTP client subcommand removes a directory on the remote system.

FTP client subcommand

```
RMdir pathname
```

pathname

The name of a file directory, library, or other system-dependent file-group designator on the remote system. For hierarchical file system (HFS) directories, you can only delete empty directories. The FTP server deletes Libraries unconditionally.

Related reference

[File Transfer Protocol client syntax conventions](#)

Follow these syntax conventions when you use the File Transfer Protocol (FTP) client subcommands.

SECData (Setting Data Security Protection)

The SECData IBM i FTP client subcommand specifies the protection level to be used for the data connection when a secure control connection is already established with the remote system.

FTP client subcommand

```
SECData [ C | S | P ]
```

Note: SData is a synonym for this subcommand.

C

Data channel protection level is set to clear. This connection is **not** secure. This might be used for preencrypted data or nonsensitive data.

S

Data channel protection level is set to safe. When Kerberos is set, this connection is integrity protected.

Note: This is only used for data connection when Kerberos is set to the security authentication.

P

The data channel protection level is set to private. This connection is secure. When Transport Layer Security (TLS) authentication is set, a TLS negotiation between the client and the FTP server must take place before any data is transmitted over the connection. When Kerberos is set, this connection is integrity and confidentiality protected.

1. When no parameter is specified, SECData displays the present value used for setting data security protection.
2. The data protection level is initially set to the value specified by the DTAPROT parameter of the STRTCPFTP CL command when a secure control connection is established with an FTP server.
3. A secure control connection is required to use the SECData subcommand.
4. A PROT server subcommand is issued to the FTP server each time the SECDATA subcommand successfully sets the data protection level.
5. The SECData subcommand sends a PBSZ and a PROT subcommand to the FTP server when setting the data protection level. Also, the SECData subcommand sets a client variable for each successful PROT subcommand. This variable represents the last data protection level (C S or P) accepted by the FTP server. This variable is used to set the data protection level when the SECOpen subcommand opens a secure control connection. This variable can be changed using the LOCSITE DTAPROT option.
6. The parameters 'C' 'S' and 'P' for the SECData subcommand are the same as used by the PROT server subcommand.

Related concepts

[Securing FTP clients with Transport Layer Security or Secure Sockets Layer](#)

You can use Transport Layer Security (TLS) or Secure Sockets Layer (SSL) connections to encrypt data transferred over File Transfer Protocol (FTP) control and data connections.

Related reference

[LOCSITE \(Specify Local Site Information\)](#)

The LOCSITE IBM i FTP client subcommand specifies information that is used by the FTP client to provide services specific to the client system.

[File Transfer Protocol client syntax conventions](#)

Follow these syntax conventions when you use the File Transfer Protocol (FTP) client subcommands.

SECOpen (Setting Data Security Protection)

The SECOpen IBM i FTP client subcommand opens a secure control connection to an FTP server using the specified security option.

FTP client subcommand

```
SECOpen systemname [portnumber] [security_option ]
```

Note: SOpen is a synonym for SECOPEN.

systemname

Enter the name or Internet address of the remote system.

portnumber

Enter the port number for this connection.

Notes:

- If this parameter is omitted and either (SSL or (Kerberos is specified, the port number 21 will be used.
- If this parameter is omitted and (IMPLICIT is specified, then port number 990 is used.

- If both the port number and the security_option are omitted, then port number 21 and (SSL are assumed.

security_option

Specify the type of security to be used.

(SSL

Uses a secure SSL connection to the FTP server. The AUTH (Authorization) server subcommand is used when making the connection.

(IMPLICIT

Uses an implicit SSL or TLS secure connection to the FTP server. An implicit SSL connection is made without sending the AUTH, PBSZ, and PROT server subcommands to the FTP server. In this case, the FTP server must be configured to expect an SSL/TLS connection negotiation to occur for the specified port number.

For the implicit SSL case, the FTP server acts in the same way as if the client has sent these subcommands with the parameters shown as follows:

- AUTH SSL
- PBSZ 0
- PROT P

(KERBEROS

Uses a secure connection to FTP server with Kerberos authentication. The FTP control channel/ FTP data channel can be protected by setting different protection levels. The AUTH GSSAPI subcommand is sent to the server when making this connection. In this case, the parameter "portnumber" should be omitted.

Note: If the security option parameter is not specified, then "(SSL" will be assumed EXCEPT when the port number is 990. "(IMPLICIT" is assumed for port number 990. If the security option parameter is specified to "(KERBEROS", the parameter "portnumber" can be omitted, do not specified port number other than 21. If the security option parameter is specified to "(KERBEROS", protection level will be specified to CLEAR by default. User can change the protection level then by using secdata after the Kerberos authentication is accepted.

Related concepts

Securing FTP clients with Transport Layer Security or Secure Sockets Layer

You can use Transport Layer Security (TLS) or Secure Sockets Layer (SSL) connections to encrypt data transferred over File Transfer Protocol (FTP) control and data connections.

Related reference

LOCSITE (Specify Local Site Information)

The LOCSITE IBM i FTP client subcommand specifies information that is used by the FTP client to provide services specific to the client system.

File Transfer Protocol client syntax conventions

Follow these syntax conventions when you use the File Transfer Protocol (FTP) client subcommands.

SENDEPRT (Specify Whether to Send an EPRT Subcommand)

The SENDEPRT IBM i FTP client subcommand specifies whether to send an EPRT subcommand to the FTP server when transferring data, or issuing the DIR and LS subcommands.

FTP client subcommand

SENDEPRT [0 1]

If there is no parameter, SENDEPRT works like a toggle switch. The SENDEPRT value toggles from 1 (ON) to 0 (OFF) or from 0 to 1.

When there is a parameter, the valid values are:

0

Do not send an EPRT subcommand.

1

Send an EPRT subcommand. This value is the default.

The default (on) is to send the EPRT subcommand. When SENDEPRT is off, the FTP client does not send the EPRT subcommand.

Notes:

1. For systems that ignore EPRT subcommands and incorrectly indicate that they accepted the command, it might be useful to not send the EPRT subcommand to those systems.
2. Some FTP servers do not support the EPRT subcommand. If SENDEPRT is set to ON and the FTP client attempts a data transfer with a server that does not support EPRT, the FTP client displays a message to indicate that the server does not support EPRT. The FTP client then attempts to establish the data transfer connection by sending the PORT subcommand.
3. When SENDEPRT is set to OFF or disabled, the PORT subcommand is sent to the server when SENDPORT is ON.

Related reference

SENDEPSV (Specify Whether to Send an EPSV Subcommand)

The SENDEPSV IBM i FTP client subcommand specifies whether to send an EPSV subcommand to the FTP server when transferring data or issuing the DIR and LS subcommands.

SENDPASV (Specify whether to send a PASV Subcommand)

The SENDPASV IBM i FTP client subcommand specifies whether to send a PASV subcommand to the FTP server when you transfer data or issue the DIR and LS subcommands.

SENDPORT (Specify Whether to Sends a PORT Subcommand)

The SENDPORT IBM i FTP client subcommand specifies whether to send a PORT subcommand to the FTP server when you transfer data or issue the DIR and LS subcommands.

File Transfer Protocol client syntax conventions

Follow these syntax conventions when you use the File Transfer Protocol (FTP) client subcommands.

SENDEPSV (Specify Whether to Send an EPSV Subcommand)

The SENDEPSV IBM i FTP client subcommand specifies whether to send an EPSV subcommand to the FTP server when transferring data or issuing the DIR and LS subcommands.

FTP client subcommand

SENDEPSV [0 1]

If there is no parameter, SENDEPSV works like a toggle switch. The SENDEPSV value toggles from 1 (ON) to 0 (OFF) or from 0 to 1.

When there is a parameter, the valid values are:

0

Do not send an EPSV subcommand.

1

Send an EPSV subcommand. This value is the default.

The default (on) is to send the EPSV subcommand. When SENDEPSV is off, the FTP client does not send the EPSV subcommand.

Notes:

1. Use of the EPSV subcommand to establish a data transfer connection is recommended when establishing a connection through a firewall. In some cases, data transfer through a firewall is not possible without the EPSV subcommand.

2. Some FTP servers do not support the EPSV subcommand. If SENDEPSV is set to ON and the FTP client attempts a data transfer with a server that does not support EPSV, the FTP client displays a message to indicate that the server does not support EPSV. The FTP client then attempts to establish the data transfer connection by sending the PASV subcommand.
3. When SENDEPSV is set to OFF or disabled, the PASV subcommand is sent to the server when SENDPASV is ON.

Related reference

SENDEPRT (Specify Whether to Send an EPRT Subcommand)

The SENDEPRT IBM i FTP client subcommand specifies whether to send an EPRT subcommand to the FTP server when transferring data, or issuing the DIR and LS subcommands.

SENDPASV (Specify whether to send a PASV Subcommand)

The SENDPASV IBM i FTP client subcommand specifies whether to send a PASV subcommand to the FTP server when you transfer data or issue the DIR and LS subcommands.

SENDPORT (Specify Whether to Sends a PORT Subcommand)

The SENDPORT IBM i FTP client subcommand specifies whether to send a PORT subcommand to the FTP server when you transfer data or issue the DIR and LS subcommands.

File Transfer Protocol client syntax conventions

Follow these syntax conventions when you use the File Transfer Protocol (FTP) client subcommands.

SENDPASV (Specify whether to send a PASV Subcommand)

The SENDPASV IBM i FTP client subcommand specifies whether to send a PASV subcommand to the FTP server when you transfer data or issue the DIR and LS subcommands.

FTP client subcommand

SENDPASV [0 1]

If there is no parameter SENDPASV works like a toggle switch. The SENDPASV value toggles from 1 (ON) to 0 (OFF) or from 0 to 1.

When there is a parameter, the valid values are:

0

Do not send a PASV subcommand.

1

Send a PASV subcommand. This is the default.

The default (on) is to send the PASV subcommand. When SENDPASV is off, the FTP client does not send the PASV subcommand.

Notes:

1. This subcommand supports RFC 1579, "Firewall-Friendly FTP." Use of the PASV subcommand to establish a data connection is a better method when a data transfer must go through a firewall. In some scenarios, a data transfer through a firewall might not be possible without use of PASV.
2. Some FTP servers might not support the PASV subcommand. When this is the situation and SENDPASV is ON, then the FTP client will display a message that indicates that the server does not support PASV. The system will attempt to establish the data connection without sending the PASV subcommand.
3. When SENDPASV is OFF or disabled, the FTP client sends the PORT subcommand when SENDPORT is ON.
4. FTP servers that do not support PASV are not compliant with RFC 1123.

Restriction:

When connected to an FTP server through a SOCKS server, you can only use the SENDPASV subcommand before you issue a data transfer subcommand or a list directory subcommand. If you use SENDPASV after one of these subcommands, then the client is not able to establish a data connection to the FTP server.

After the client has issued a data transfer or list directory subcommand, close the connection to the FTP server through a SOCKS server before you issue SENDPASV again.

You can use the SENDPASV subcommand when the FTP client is disconnected from an FTP server.

Related reference

[SENDEPRT \(Specify Whether to Send an EPRT Subcommand\)](#)

The SENDEPRT IBM i FTP client subcommand specifies whether to send an EPRT subcommand to the FTP server when transferring data, or issuing the DIR and LS subcommands.

[SENDEPSV \(Specify Whether to Send an EPSV Subcommand\)](#)

The SENDEPSV IBM i FTP client subcommand specifies whether to send an EPSV subcommand to the FTP server when transferring data or issuing the DIR and LS subcommands.

[SENDPORT \(Specify Whether to Sends a PORT Subcommand\)](#)

The SENDPORT IBM i FTP client subcommand specifies whether to send a PORT subcommand to the FTP server when you transfer data or issue the DIR and LS subcommands.

[File Transfer Protocol client syntax conventions](#)

Follow these syntax conventions when you use the File Transfer Protocol (FTP) client subcommands.

Related information

[RFC index search engine](#)

[RFC editor](#)

SENDPORT (Specify Whether to Sends a PORT Subcommand)

The SENDPORT IBM i FTP client subcommand specifies whether to send a PORT subcommand to the FTP server when you transfer data or issue the DIR and LS subcommands.

FTP client subcommand

SENDPOrt [0 1]

If there is no parameter, SENDPORT works like a toggle switch. The SENDPORT value changes from 1 (ON) to 0 (OFF) or from 0 to 1.

When there is a parameter, the valid values are:

0

Do not send a PORT subcommand.

1

Send a PORT subcommand. This is the default.

Notes:

1. Use SENDPORT only when you cannot establish a connection to the FTP server without it. The indiscriminate use of SENDPORT might result in errors.
2. You might find it useful to not send the PORT subcommand to those systems that ignore PORT subcommands because they indicate that they have accepted the command.
3. The FTP client does not send the PORT subcommand when the SENDPASV option is ON.

Related reference

[SENDEPRT \(Specify Whether to Send an EPRT Subcommand\)](#)

The SENDEPRT IBM i FTP client subcommand specifies whether to send an EPRT subcommand to the FTP server when transferring data, or issuing the DIR and LS subcommands.

[SENDEPSV \(Specify Whether to Send an EPSV Subcommand\)](#)

The SENDEPSV IBM i FTP client subcommand specifies whether to send an EPSV subcommand to the FTP server when transferring data or issuing the DIR and LS subcommands.

[SENDPASV \(Specify whether to send a PASV Subcommand\)](#)

The SENDPASV IBM i FTP client subcommand specifies whether to send a PASV subcommand to the FTP server when you transfer data or issue the DIR and LS subcommands.

[File Transfer Protocol client syntax conventions](#)

Follow these syntax conventions when you use the File Transfer Protocol (FTP) client subcommands.

SENDSITE (Specify Whether to Send a SITE Subcommand)

The SENDSITE IBM i FTP client subcommand specifies whether a SITE subcommand with record format information is automatically sent when you do a PUT or an MPUT operation.

FTP client subcommand

SENDSite [0 1]

If there is no parameter, SENDSITE works like a toggle switch. The SENDSITE value changes from 0 (OFF) to 1 (ON) or from 1 to 0.

When there is a parameter, the valid values are:

0

Do not send a SITE subcommand. This is the default.

1

Send a SITE subcommand (containing record format information) before sending PUT and MPUT subcommands. Use this setting when transferring files to an IBM Virtual Machine server that uses the record format information that sends with the SITE subcommand.

Related reference

[File Transfer Protocol client syntax conventions](#)

Follow these syntax conventions when you use the File Transfer Protocol (FTP) client subcommands.

[SITE \(Send Information Used by a Remote System\)](#)

The SITE IBM i FTP client subcommand sends information that is used by the remote system to provide services specific to the remote system.

SITE (Send Information Used by a Remote System)

The SITE IBM i FTP client subcommand sends information that is used by the remote system to provide services specific to the remote system.

FTP client subcommand

SIte [<i>parameters</i>]

parameters

Dependent on the remote system.

To find the nature of these parameters and their syntax specifications, issue the HELP SERVER SITE subcommand. Some FTP servers do not support the SITE subcommand.

Note: The SITE subcommand is used by the PUT and MPUT subcommands to indicate the format and length of the records. By default, the PUT subcommand sends a SITE subcommand automatically. The NAMEFMT subcommand uses the SITE subcommand to indicate to the FTP server whether names are in NAMEFMT 0 or NAMEFMT 1.

Related reference

[SENDSITE \(Specify Whether to Send a SITE Subcommand\)](#)

The SENDSITE IBM i FTP client subcommand specifies whether a SITE subcommand with record format information is automatically sent when you do a PUT or an MPUT operation.

[File Transfer Protocol client syntax conventions](#)

Follow these syntax conventions when you use the File Transfer Protocol (FTP) client subcommands.

STATUS (Retrieve Status Information from a Remote System)

The STATUS IBM i FTP client subcommand displays status information of a remote system.

FTP client subcommand

```
STAtus [name]
```

name

The name of the remote directory or file for which you request the status information. It is not a required parameter.

Note: The IBM i FTP server application does not support this name parameter.

If there is no parameter, the FTP server returns general status information about the FTP server process. This includes current values of all transfer parameters and the status of connections. The status information that is returned depends on the specific FTP server implementation.

Related reference

[File Transfer Protocol client syntax conventions](#)

Follow these syntax conventions when you use the File Transfer Protocol (FTP) client subcommands.

STRUCT (Specify File Structure)

The STRUCT IBM i FTP client subcommand specifies the structure of the data sent for a file.

FTP client subcommand

```
STRuct [F | R]
```

F

A file structure. The structure of a file is a continuous sequence of data bytes.

R

A record structure. The file transfers as a sequence of sequential records.

The structure of a file affects the transfer mode and the interpretation and storage of a file.

Related reference

[File Transfer Protocol client syntax conventions](#)

Follow these syntax conventions when you use the File Transfer Protocol (FTP) client subcommands.

SUNIQUE (Control Overwriting of Files)

The SUNIQUE IBM i FTP client subcommand controls file replacement. SUNIQUE is a separate command that has to be issued before the PUT or MPUT subcommands.

FTP server subcommand

SUNIQUE sets a "mode" (in the same manner as NAMEFMT, LISTFMT, and so on.), so that every PUT/MPUT after it uses the setting entered on the SUNIQUE subcommand. For example:

```
FTP> SUNIQUE 1
FTP> MPUT *.FILES
```

If there is no parameter, SUNIQUE acts like a toggle switch. The SUNIQUE value changes from 0 (OFF) to 1 (ON) or from 1 to 0.

When there is a parameter, the valid values are:

0

Overwrite the file if it exists. This is the default.

1

Create a new file with a unique name on the remote system instead of overwriting an existing file. The FTP server on the remote system sends the name of the created file back to the user.

Note: If the remote system is an IBM i product, the FTP server forms File.Mbr names by adding numbers to the end of the *localfile* that you specified in the PUT or MPUT subcommand. Thus, if the name *NEWFILE.NEWMBR* already exists on the remote system, the FTP server creates *NEWFILE.NEWMBR1* and writes the data to it.

File names for other file systems, like hierarchical file system (HFS), work in a similar way. If the name already exists, a new file is created that consists of the specified file name and a number suffix. Thus, if the name *xfsname* already exists on the remote system, the remote system creates *xfsname1*.

Related reference

[MPUT \(Send Multiple File Members from the Local System to a Remote System\)](#)

The MPUT IBM i FTP client subcommand copies multiple local files to the remote system.

[PUT \(Copy a File Member from the Local System to a File on a Remote System\)](#)

The PUT IBM i FTP client subcommand copies a local file member to the remote system.

[File Transfer Protocol client syntax conventions](#)

Follow these syntax conventions when you use the File Transfer Protocol (FTP) client subcommands.

SYSCMD (Pass a CL Command to Your Local System)

The SYSCMD IBM i FTP client subcommand enables you to run a control language (CL) command on your local system without leaving the FTP environment.

FTP client subcommand

```
SYSCmd commandline
```

commandline

A CL command. You can precede the command name with a ? to get the prompt for the CL command. For example, if you enter:

```
SYSCMD ? SNDBRKMSG
```

you get the display for the Send Break Message (SNDBRKMSG) command.

If you want to see low-level messages that result from your CL command, or if you want to enter multiple CL commands before returning to the FTP environment, use the IBM i CALL QCMD command.

To get to a Command Entry display, enter the following example:

```
SYSCMD CALL QCMD
```

From the Command Entry display, you can then call your application programs or enter CL commands. At the completion of your application program or the CL command, you return to the Command Entry display. From there you can display messages, start additional work on the system, or press F3 (Exit) or F12 (Cancel) to return to FTP.

You can enter CL commands when you press F21 (CL command line) from the main FTP display. The FTP server does not allow the use of the F21 key when an exit program is an addition to the FTP client request validation exit point.

Notes:

1. Most FTP servers have a timeout period that ends the session if no activity occurs within a specific time period. If the command runs for longer than the timeout period, the FTP server ends the connection with the client.
2. The IBM i operating system supports the exclamation mark (!) as a synonym for the SYSCMD subcommand.

3. The SYSCMD subcommand passes to the system, as a CL command, exactly what the user enters.

Related reference

File Transfer Protocol client syntax conventions

Follow these syntax conventions when you use the File Transfer Protocol (FTP) client subcommands.

TYPE (Specify File Transfer Type)

The TYPE IBM i FTP client subcommand specifies the file-transfer type, or the representation in which the transfer is to take place.

FTP client subcommand

```
TYpe [ A
      | B [ 1 | 2 | 3 [A|R] | 4 [A|R] | 5 | 6 | 7]
      | C CCSID number
      | E
      | F [ 1 ]
      | I ]
```

A

Specifies the transfer type as the default (ASCII) transfer type. This has the same effect as the ASCII subcommand. The FTP server does not associate any vertical format control with the file. It only supports the default format NON PRINT for ASCII. Use the ASCII transfer type or the transfer of text files, except when both systems use the EBCDIC type.

The default CCSID for TYPE A (ASCII) is the CCSID that is specified on the CCSID parameter of the STRTCPFTP command or FTP subcommand.

B

Shift JIS Kanji (CCSID 932)

B 1

Shift JIS Kanji (CCSID 932)

B 2

Extended UNIX Code Kanji (CCSID 5050)

B 3

JIS 1983 using ASCII shift-in escape sequence (CCSID 5054)

B 3 A

JIS 1983 using ASCII shift-in escape sequence (CCSID 5054)

B 3 R

JIS 1983 using JISROMAN shift-in escape sequence (CCSID 5052)

B 4

JIS 1978 using ASCII shift-in escape sequence (CCSID 5055)

B 4 A

JIS 1978 using ASCII shift-in escape sequence (CCSID 5055)

B 4 R

JIS 1978 using JISROMAN shift-in escape sequence (CCSID 5053)

B 5

Hangeul (CCSID 934)

B 6

Korean Standard Code KSC-5601, 1989 version (CCSID 949)

B 7

Traditional Chinese (5550) (CCSID 938)

C CCSID number

Specifies the transfer type to any CCSID (coded character set identifier) that is installed on the system. The CCSID number must follow C.

E

Specifies the transfer type as EBCDIC. This has the same effect as the EBCDIC subcommand. The FTP server does not associate any vertical format control with the file. It only supports the default format NON PRINT for EBCDIC. Use the EBCDIC transfer type for the efficient transfer between systems that use EBCDIC as their internal character representation.

F

IBM EBCDIC Kanji (CCSID 5035)

F 1

IBM EBCDIC Kanji (CCSID 5035)

I

Specifies the transfer type as image. This has the same effect as the BINARY subcommand. With the image transfer type, data is a string of bits, packed into 8-bit bytes. The image transfer type is an efficient at storing and retrieving files and for transferring binary data such as object code. Data is transferred as is; there is no conversion.

If there are no parameters, the FTP server displays the present setting for the TYPE subcommand.

Related referenceLTYPE (Local Type)

The LTYPE IBM i FTP client subcommand specifies the file transfer type or the representation in which the transfer is to take place on the local system.

File Transfer Protocol client syntax conventions

Follow these syntax conventions when you use the File Transfer Protocol (FTP) client subcommands.

Specifying mapping tables

For File Transfer Protocol (FTP) client, the ASCII mapping tables are specified in the FTP command. For FTP server this is done in the Change FTP Attributes (CHGFTPA) command.

USER (Send Your User ID to the Remote System)

The USER IBM i FTP client subcommand sends a user ID to a remote system. You can also send the password together with the user ID.

FTP client subcommand

User <i>userid</i> [<i>password</i>]
--

userid

Your logon name on the remote system.

password

Your password on the remote system. Specifying your password is optional. If you do not supply your password when calling the USER subcommand, you receive a prompt to do so if the remote system requires a logon password.

Related referenceFile Transfer Protocol client syntax conventions

Follow these syntax conventions when you use the File Transfer Protocol (FTP) client subcommands.

VERBOSE (Control of Text Display of Error Reply Messages)

The VERBOSE IBM i FTP client subcommand controls the display of FTP server replies. When verbose is on, all FTP server replies, including their reply codes, are displayed. When verbose is off, certain FTP server replies and reply codes are discarded and are not displayed.

FTP client subcommand

The VERBOSE subcommand toggles the verbose switch on and off.

Verbose

Related reference

[File Transfer Protocol client syntax conventions](#)

Follow these syntax conventions when you use the File Transfer Protocol (FTP) client subcommands.

File Transfer Protocol exit programs

You can use File Transfer Protocol (FTP) exit programs to secure FTP. The FTP server communicates with each exit program through a specific exit point. This topic includes parameter descriptions and code examples.

The FTP client and the FTP server communicate with each exit program through a specific exit point. Parameters are passed between the FTP server and the exit program. The format of the exchanged information is specified by an exit point format.

FTP uses the following exit points. Refer to these topics for more information, including parameter descriptions and code examples:

- Request validation exit point: client and server
- Server logon exit point

To allow the exit programs to work properly, you must install and register your exit point programs. If your programs are no longer needed, you must properly remove the exit point programs to prevent their future functioning.

TCP/IP exit points and exit point formats

The following table provides information about exit points for various TCP/IP applications and their related exit point formats.

TCP/IP Exit Points	Application	<u>VLRQ010</u> 0	<u>TCPL010</u> 0	<u>TCPL020</u> 0	<u>TCPL030</u> 0	<u>RXCS010</u> 0
QIBM_QTMF_CLIENT_REQ	FTP	X				
QIBM_QTMF_SERVER_REQ	FTP	X				
QIBM_QTMF_SVR_LOGON ¹	FTP		X	X	X ²	
QIBM_QTMX_SERVER_REQ	REXEC	X				
QIBM_QTMX_SVR_LOGON ¹	REXEC		X		X ²	
QIBM_QTMX_SVR_SELECT	REXEC					X
QIBM_QTOD_SERVER_REQ	TFTP	X				

¹ - An exit point can have more than one format, but an exit program can only be registered for one of the exit point formats. Examine each of these formats, then choose the one most appropriate for your system.

² - This format is available starting with V5R1.

Related concepts

[Controlling File Transfer Protocol access](#)

If you are using File Transfer Protocol (FTP), you need to control users to protect your data and network. This topic offers tips and security considerations.

[Managing access using File Transfer Protocol exit programs](#)

You can provide additional security by adding FTP exit programs to the File Transfer Protocol (FTP) server and client exit points so that you can further restrict FTP access to your system.

Related tasks

Installing and registering exit programs

You can create a library to contain your exit programs and their log files, compile the programs, and register them for use by the File Transfer Protocol (FTP) server.

Related reference

Writing exit programs for anonymous File Transfer Protocol

To use anonymous File Transfer Protocol (FTP) on the IBM i operating system, you need to write two exit programs: FTP Server Logon exit program and FTP Server Request Validation exit program.

Request validation exit point: client and server

The request validation exit points can be used to restrict operations which can be performed by FTP users.

Request validation exit points are provided by both the FTP client and server; to restrict both FTP client and FTP server access, exit programs must be added to both exit points.

Tip: Because both the FTP client and server exit points share the same exit point format, you can write a single program to handle both.

If you implement anonymous FTP, write your FTP Server Request Validation exit program to restrict anonymous FTP users to retrieve subcommands only, and never allow anonymous users to run CL commands.

What your program should include

- Exception handling
- Debugging
- Logging

Allowed and rejected commands

The FTP Request Validation exit program gives you control over whether to accept or reject an operation. Decisions made by exit programs are in addition to any validation that is performed by the FTP client or FTP server application. The FTP client or server application calls the exit program registered for that application each time it processes one of these requests:

- Directory or library creation
- Directory or library deletion
- Setting current directory
- Listing file names
- File deletion
- Sending a file
- Receiving a file
- Renaming a file
- Running a CL command

You might want to set value -1 of parameter 8 (Allow operation) in the VRLQ0100 exit point format to always and unconditionally reject a command.

Is there an exit program timeout feature?

There is no time-out for FTP exit programs. If the exit program has an error or exception that it cannot handle, the FTP server will stop the session.

Example programs

Example programs are available to help you set up anonymous FTP on your system. These examples are for illustration purposes. They do not contain all the features to run on a production system. Use these examples as a starting point to build your own programs. By copying portions of the code from the examples, you can add them to programs that you write yourself. Run the example programs on a system other than your production system.

Related concepts

Managing access using File Transfer Protocol exit programs

You can provide additional security by adding FTP exit programs to the File Transfer Protocol (FTP) server and client exit points so that you can further restrict FTP access to your system.

Related reference

Writing exit programs for anonymous File Transfer Protocol

To use anonymous File Transfer Protocol (FTP) on the IBM i operating system, you need to write two exit programs: FTP Server Logon exit program and FTP Server Request Validation exit program.

Example: FTP client or server Request Validation exit program in CL code

This is an example of a simple File Transfer Protocol (FTP) Request Validation exit program. It is written in control language (CL). This code is not complete, but provides a starting point to help you create your own program for the client or server exit point.

Note: By using the code examples, you agree to the terms of the [“Code license and disclaimer information”](#) on page 156.

(Preformatted text in the following example will flow outside the frame.)

```
/*
/*****
/*
/* Sample FTP Server Request Validation exit program for anonymous FTP.
/* Note: This program is a sample only and has NOT undergone any formal
/* review or testing.
/*
/* Additional notes:
/* 1. When the application ID is 1 (FTP server) AND the operation ID is
/* 0 (session initialization), the job is running under the QTCP
/* user profile when the exit program is called. In ALL other cases,
/* the job is running under the user's profile.
/* 2. It is highly recommended that the exit program be created in a library
/* with *PUBLIC authority set to *EXCLUDE, and the exit program itself
/* be given a *PUBLIC authority of *EXCLUDE. The FTP server adopts
/* authority necessary to call the exit program.
/* 3. It is possible to use the same exit program for both the FTP client
/* and server request validation exit points. However, this program
/* does not take the client case into account.
/*
/*****
/

TSTREQCL: PGM PARM(&APPIDIN &OPIDIN &USRPRF&IPADDRIN +
&IPLLENIN &OPINFOIN &OPLLENIN &ALLOWOP)

/* Declare input parameters */
DCL VAR(&APPIDIN) TYPE(*CHAR) LEN(4) /* Application
ID
DCL VAR(&OPIDIN) TYPE(*CHAR) LEN(4) /* Operation
ID
DCL VAR(&USRPRF) TYPE(*CHAR) LEN(10) /* User
profile
DCL VAR(&IPADDRIN) TYPE(*CHAR) /* Remote IP
address
DCL VAR(&IPLLENIN) TYPE(*CHAR) LEN(4) /* Length of IP
address
DCL VAR(&OPLLENIN) TYPE(*CHAR) LEN(4) /* Length of operation-specific
info. */
DCL VAR(&OPINFOIN) TYPE(*CHAR) +
LEN(9999) /* Operation-specific
information */
DCL VAR(&ALLOWOP) TYPE(*CHAR) LEN(4) /* allow (output) */

/* Declare local copies of parameters (in format usable by CL) */
DCL VAR(&APPID) TYPE(*DEC) LEN(1 0)
```

```

DCL      VAR(&OPID) TYPE(*DEC) LEN(1 0)
DCL      VAR(&IPLLEN) TYPE(*DEC) LEN(5 0)
DCL      VAR(&IPADDR) TYPE(*CHAR)
DCL      VAR(&OPLLEN) TYPE(*DEC) LEN(5 0)
DCL      VAR(&OPINFO) TYPE(*CHAR) LEN(9999)
DCL      VAR(&PATHNAME) TYPE(*CHAR) LEN(9999) /* Uppercased path
name      */

/* Declare values for allow(1) and noallow(0) */
DCL      VAR(&ALLOW) TYPE(*DEC) LEN(1 0) VALUE(1)
DCL      VAR(&NOALLOW) TYPE(*DEC) LEN(1 0) VALUE(0)

/* Declare request control block for QLGCNVCS (convert case) API:*/
/* convert to uppercase based on job CCSID */
DCL      VAR(&CASEREQ) TYPE(*CHAR) LEN(22) +
          VALUE(X'0000000100000000000000000000000000000000')
DCL      VAR(&ERROR) TYPE(*CHAR) LEN(4) +
          VALUE(X'00000000')

/* Assign input parameters to local copies */
CHGVAR   VAR(&APPID) VALUE(%BINARY(&APPIDIN))
CHGVAR   VAR(&OPID) VALUE(%BINARY(&OPIDIN))
CHGVAR   VAR(&IPLLEN) VALUE(%BINARY(&IPLLENIN))
CHGVAR   VAR(&IPADDR) VALUE(%SUBSTRING(&IPADDRIN 1 &IPLLEN))
CHGVAR   VAR(&OPLLEN) VALUE(%BINARY(&OPLLENIN))

/* Handle operation specific info field (which is variable length) */
IF       COND(&OPLLEN = 0) THEN(CHGVAR VAR(&OPINFO) +
          VALUE(' '))
ELSE     CMD(CHGVAR VAR(&OPINFO) VALUE(%SST(&OPINFOIN +
          1 &OPLLEN)))

/* Operation id 0 (incoming connection): reject if connection is coming
/* through interface 9.8.7.6, accept otherwise. (The address is just an
/* example.) This capability could be used to only allow incoming connections
/* from an internal network and reject them from the "real" Internet, if
/* the connection to the Internet were through a separate IP interface.
/* NOTE: For FTP server, operation 0 is ALWAYS under QTCP profile.
IF       COND(&OPID = 0) THEN(DO)
  IF     COND(&OPINFO = '9.8.7.6') THEN(CHGVAR +
    VAR(%BINARY(&ALLOWOP)) VALUE(&NOALLOW))
  ELSE   CMD(CHGVAR VAR(%BINARY(&ALLOWOP)) +
    VALUE(&ALLOW))
  GOTO   CMDLBL(END)
ENDDO

/* Check for ANONYMOUS user */
IF       COND(&USRPRF = 'ANONYMOUS ') THEN(DO)
/* Don't allow the following operations for ANONYMOUS user:
/* 1 (Directory/library creation); 2 (Directory/library deletion);
/* 5 (File deletion); 7 (Receive file); 8 (Rename file); 9 (Execute CL cmd)
IF       COND(&OPID = 1 | &OPID = 2 | +
  &OPID = 5 | &OPID = 7 | &OPID = 8 | +
  &OPID = 9) THEN(CHGVAR +
  VAR(%BINARY(&ALLOWOP)) VALUE(&NOALLOW))
ELSE     CMD(DO)
/* For operations 3 (change directory), 4 (list directory) and 6 (send file),
/* only allow if in PUBLIC library OR "/public" directory. Note that all
/* path names use the Integrated File System naming format.
IF       COND(&OPID = 3 | &OPID = 4 | &OPID = 6) THEN(DO)
/* First, convert path name to uppercase (since names in "root" and library
/* file systems are not case sensitive).
CALL PGM(QLGCNVCS) PARM(&CASEREQ &OPINFO &PATHNAME +
  &OPLLENIN &ERROR)
/* Note: must check for "/public" directory by itself and path names starting
/* with "/public/".
IF       COND((%SUBSTRING(&PATHNAME 1 20) *NE +
  '/QSYS.LIB/PUBLIC.LIB') *AND +
  (&PATHNAME *NE '/PUBLIC') *AND +
  (%SUBSTRING(&PATHNAME 1 8) *NE '/PUBLIC/')) +
  THEN(CHGVAR +
  VAR(%BINARY(&ALLOWOP)) VALUE(&NOALLOW))
ELSE     CMD(CHGVAR VAR(%BINARY(&ALLOWOP)) +
  VALUE(&ALLOW))
ENDDO
ENDDO
ENDDO
/* Not ANONYMOUS user: allow everything */
ELSE     CMD(CHGVAR VAR(%BINARY(&ALLOWOP)) +
  VALUE(&ALLOW))

```

END: ENDPGM

Example: FTP Server Request Validation exit program in ILE RPG code

This example demonstrates a simple File Transfer Protocol (FTP) Request Validation exit program used between the client and the server. It is written in ILE RPG programming language. This code is not complete, but provides a starting point to help you create your own program.

Note: By using the code examples, you agree to the terms of the [“Code license and disclaimer information”](#) on page 156.

(Pre formatted text in the following example will flow outside the frame.)

```
* Module Description *****
*
*           PROGRAM FUNCTION
*
* This program demonstrates some of the abilities an FTP client
* and server Request Validation exit program can have.
*
* Note: This program is a sample only and has NOT undergone any
*       formal review or testing.
*
*****
F/SPACE 3
*****
*
*           INDICATOR USAGE
*
* IND.  DESCRIPTION
*
* LR - CLOSE FILES ON EXIT
*
*****
F/EJECT
*****
* DATA STRUCTURES USED BY THIS PROGRAM
*****
*
* Define constants
*
D Anonym          C          CONST('ANONYMOUS ')
D PublicLib       C          CONST('/QSYS.LIB/ITS0IC400.LIB')
D PublicDir       C          CONST('//ITS0IC.400')
*
* Some CL commands to used later on in the program
*
D ClearSavf       C          CONST('CLRSAVF ITS0IC400/TURVIS')
D SaveLib         C          CONST('SAVLIB LIB(ITS0IC400) -
D                  DEV(*SAVF) -
D                  SAVF(ITS0IC400/TURVIS)')
*
* A value to be used to trigger a benevolent 'Trojan Horse'
*
D Savetti         C          CONST('ITS0IC400.LIB/TURVIS.FILE')
is FILE
*
*                               Extension
it is a
*                               although
*                               SAVF (and
entered as
*                               SAVF by
*                               the user)
*
* Some nice fields to help us through from lower to upper case character conversion
* 1
D LW              C          CONST('abcdefghijklmnopqrstuvwxyz')
D UP              C          CONST('ABCDEFGHIJKLMNOPQRSTUVWXYZ')
*
D NeverAllow      C          CONST(-1)
D DontAllow       C          CONST(0)
D Allow           C          CONST(1)
D AlwaysAllw      C          CONST(2)
C/EJECT
*****
* VARIABLE DEFINITIONS AND LISTS USED BY THIS PROGRAM
*****
C/SPACE 2
```

```

*
* Define binary parameters
*
D          DS
D APPIDds      1      4B 0
D OPIDds       5      8B 0
D IPLEndds     9     12B 0
D OPLEndds    13     16B 0
D ALLOWOPds   17     20B 0
*
C *LIKE      DEFINE  APPIDds      APPIDIN
C *LIKE      DEFINE  OPIDds       OPIDIN
C *LIKE      DEFINE  IPLEndds     IPLENIN
C *LIKE      DEFINE  OPLEndds     OPLENIN
C *LIKE      DEFINE  ALLOWOPds    ALLOWOP
*
C *LIKE      DEFINE  OPINFOIN     OPINFO
*
* Define parameter list
*
C *Entry     PLIST
* Input parameters:
C          PARM          APPIDIN
Application ID
*
* possible values: 0 = FTP
Client Program
*
* 1 = FTP
Server Program
C          PARM          OPIDIN          Operation
ID
*
* possible values: 0 =
Initialize Session
*
* 1 = Create
Dir/Lib
*
* 2 = Delete
Dir/Lib
*
* 3 = Set
Current Dir
*
* 4 = List Dir/
Lib
*
* 5 = Delete
Files
*
* 6 = Send
Files
*
* 7 = Receive
Files
*
* 8 = Rename
Files
*
* 9 = Execute
CL cmd
C          PARM          USRPRF          10          User
Profile
C          PARM          IPADDRIN          15          Remote IP
Address
C          PARM          IPLENIN          Length of
IP Address
C          PARM          OPINFOIN          999          Operation-
spec. Info
C          PARM          OPLENIN          Length of
Oper. Spec
* Return parameter:
C          PARM          ALLOWOP          Allow
Operation (Out
*
* possible values: -1 = Never
Allow
*
* (And
don't bother
*
* me with
this ops
*
* in this
session)
*
* 0 = Reject
Operation
*
* 1 = Allow
Operation
*
* 2 = Always
Allow Oper.
*
* (And
don't bother
*
* me with
this ops
*
* in this

```


session)

```
C/EJECT
*****
* The Main Program *
*****
*
C          SELECT
C  APPIDIN  WHENEQ    0
C          EXSR      ClientRqs
C  APPIDIN  WHENEQ    1
C          EXSR      ServerRqs
C          ENDSL
*
C          EVAL      *INLR = *ON
C          RETURN
C/EJECT
*****
* S U B R O U T I N E S *
*****
* Here we handle all the FTP client request validation *
*****
C  ClientRqs  BEGSR
*
* Check user profile
*
C          SELECT
*
* Check for 'bad' users who are not allowed to do anything ever
*
C  USRPRF    WHENEQ   'JOEBAD  '
*
C          Z-ADD     NeverAllow  ALLOWOP                Ops not
allowed
*
* Check for 'normal' users who are not allowed to do some things
*
C  USRPRF    WHENEQ   'JOENORMAL '
*
C          SELECT
*
C  OPIDIN    WHENEQ    0                                New
Connection
C          Z-ADD     Allow        ALLOWOP
*
C  OPIDIN    WHENEQ    1                                Create
Directory/Lib
C  OPIDIN    OREQ     2                                Delete
Directory/Lib
C  OPIDIN    OREQ     5                                Delete
Files
C  OPIDIN    OREQ     7                                Receive
Files from S
C  OPIDIN    OREQ     8                                Rename
files
C  OPIDIN    OREQ     9                                Execute CL
Commands
*
C          Z-ADD     NeverAllow  ALLOWOP                Ops never
allowed
*
C  OPIDIN    WHENEQ    3                                Set
Current Dir
C  OPIDIN    OREQ     4                                List
Directory/Lib
C  OPIDIN    OREQ     6                                Send Files
to Server
*
* Extract library and directory names for comparison with allowed areas
*
C  OPLENIN   IFGE     11
C  11        SUBST    OPINFOIN:1  Directory    11
C          ELSE
C  OPLENIN   SUBST(P) OPINFOIN:1  Directory
C          ENDIF
C  1 LW:UP   XLATE    Directory   Directory
*
C  OPLENIN   IFGE     23
C  23        SUBST    OPINFOIN:1  Library     23
C          ELSE
C  OPLENIN   SUBST(P) OPINFOIN:1  Library
```

```

*
C      Directory      IFEQ      PublicDir      Allowed
Directory
C      Library      OREQ      PublicLib      or Library
C      Z-ADD      Allow      ALLOWOP
C      ELSE
C      Z-ADD      DontAllow      ALLOWOP
C      ENDF
*
C      OTHER
C      Z-ADD      DontAllow      ALLOWOP
C      ENDSL
*
* Check for 'cool' users who are allowed to do everything
*
C      USRPRF      WHENEQ      'JOEGOOD      '
C      USRPRF      OREQ      'A960101B      '
C      USRPRF      OREQ      'A960101C      '
C      USRPRF      OREQ      'A960101D      '
C      USRPRF      OREQ      'A960101E      '
C      USRPRF      OREQ      'A960101F      '
C      USRPRF      OREQ      'A960101Z      '
* Allow All FTP Operations
C      Z-ADD      AlwaysAllw      ALLOWOP
*
2 * Any Other User: To be secure, you would use NeverAllow.
* If you want to allow all other users, change the NeverAllow
* to AlwaysAllw.
*
C      OTHER
C      Z-ADD      NeverAllow      ALLOWOP
*****
* Here we handle all the FTP server request validation *
*****
C      ServerRqs      BEGSR
*
* Check for ANONYMOUS user
*
C      USRPRF      IFEQ      Anonym
*
C      SELECT
*
C      OPIDIN      WHENEQ      1      Create
Directory/Lib
C      OPIDIN      OREQ      2      Delete
Directory/Lib
C      OPIDIN      OREQ      5      Delete
Files
C      OPIDIN      OREQ      7      Receive
Files from C
C      OPIDIN      OREQ      8      Rename
files
C      OPIDIN      OREQ      9      Execute CL
Commands
*
C      Z-ADD      NeverAllow      ALLOWOP      Ops never
allowed
*
C      OPIDIN      WHENEQ      3      Set
Current Dir
C      OPIDIN      OREQ      4      List
Directory/Lib
C      OPIDIN      OREQ      6      Send Files
to Client
*
* Extract library and directory names for comparison with allowed areas
*
C      OPLENIN      IFGE      11
C      11      SUBST      OPINFOIN:1      Directory      11
C      ELSE
C      OPLENIN      SUBST(P)      OPINFOIN:1      Directory
C      ENDF
C      1 LW:UP      XLATE      Directory      Directory
*
C      OPLENIN      IFGE      23
C      23      SUBST      OPINFOIN:1      Library      23
C      ELSE
C      OPLENIN      SUBST(P)      OPINFOIN:1      Library
C      ENDF
*
C      Directory      IFEQ      PublicDir      Allowed
Directory

```

```

C      Library      OREQ      PublicLib      or Library
C      Z-ADD      Allow      ALLOWOP
C      ELSE
C      Z-ADD      DontAllow      ALLOWOP
C      ENDIF
*
C      OTHER
C      Z-ADD      DontAllow      ALLOWOP
C      ENDSL
*
C      ELSE
*
* Any Other User: Allow All FTP Operations
*
to Client C      OPIDIN      IFEQ      6      Send Files
*
contents * If client issued GET for save file HESSU in library HESSU then we refresh the
*
*
C      LW:UP      XLATE      OPINFOIN      OPINFO
C      Z-ADD      0      i      3 0
C      Savetti      SCAN      OPINFO:1      i
*
C      i      IFGT      0
*
* We assume that the save file exists and here clear the save file
*
C      MOVEL(p)      ClearSavf      Cmd      80
C      Z-ADD      19      Len      15 5
C      CALL      'QCMDEXC'      9999
C      PARM
C      PARM
*
* and here we save the library to the save file
*
C      MOVEL(p)      SaveLib      Cmd
C      Z-ADD      46      Len
C      CALL      'QCMDEXC'      9999
C      PARM
C      PARM
C      ENDIF
C      ENDIF
*
C      Z-ADD      Allow      ALLOWOP
C      ENDIF
*
C      ENDSR

```

VLRQ0100 exit point format

The exit point for FTP server application request validation is QIBM_QTMF_SERVER_REQ. The exit point for FTP client application request validation is QIBM_QTMF_CLIENT_REQ. The interface that controls the parameter format for these exit points is VLRQ0100. The VLRQ0100 exit point interface contains certain parameters.

The following table shows the parameters and parameter format for the VLRQ0100 interface.

Required parameter format for the VLRQ0100 exit point interface

Parameter	Description	Input or output	Type and length
1	Application identifier	Input	Binary (4)
2	Operation identifier	Input	Binary (4)
3	User profile	Input	Char (10)
4	Remote IP address	Input	Char (*)
5	Length of remote IP address	Input	Binary (4)

Parameter	Description	Input or output	Type and length
6	Operation-specific information	Input	Char (*)
7	Length of operation-specific information	Input	Binary (4)
8	Allow operation	Output	Binary (4)

Here are the parameter descriptions:

VLRQ0100 Parameter 1:

Application identifier

INPUT; BINARY(4)

Identifies the TCP/IP application program that is making the request. Four different TCP/IP applications share the VLRQ0100 interface. The first parameter identifies which application is calling the exit program. The following table demonstrates the possible values.

Value	Application
0	FTP client program
1	FTP server program
2	REXEC server program
3	TFTP server program

VLRQ0100 Parameter 2:

Operation identifier

Input; Binary(4)

Indicates the operation (command) that the FTP user wants (requests) to perform.

The following table demonstrates the possible values when the application identifier (parameter 1) indicates the FTP client or FTP server program.

Value	Operation ID	Client subcommand	Server subcommand
0	Start session	Open, SECOpen	New connection
1	Create directory/library	*	MKD, XMDK
2	Delete directory/library	*	RMD, XRMD
3	Set current directory/library	LCD	CWD, CDUP, XCWD, XCUP
4	List files	*	LIST, NLIST
5	Delete file	*	DELE
6	Send file	APPEND, PUT, MPUT	RETR
7	Receive file	GET, MGET	APPE, STOR, STOU
8	Rename file	*	RNFR, RNT0
9	Execute CL command	SYSCMD	RCMD, ADDm, ADDV, CRTL, CRTP, CRTS, DLTF, DLTl

Note: The asterisk symbol (*) represents control operations that the FTP client exit does not recognize. The only way a client can use these operations is with CL commands using the FTP client subcommand SYSCMD. Operation identifier 9 controls the execution of CL commands.

VLRQ0100 Parameter 3:

User profile

INPUT; Char(10)

The user profile for the FTP session.

VLRQ0100 Parameter 4:

Remote IP address

INPUT; CHAR(*)

The Internet Protocol (IP) address of the remote host system. For IPv4 connections, this string is in dotted decimal format (123.45.67.89); for IPv6 connections, this string is in colon delimited format (FE80::204:ACFF:FE7C:C84C). The remote host can be a client or a server that is based on the setting of the application identifier parameter.

VLRQ0100 Parameter 5:

Length (in bytes) of the remote IP address (parameter 4)

INPUT; BINARY(4)

The length of the remote IP address (parameter 4).

VLRQ0100 Parameter 6:

Operation-specific information

INPUT; CHAR(*)

Information that describes the requested operation. The contents of this field depend on the values of the operation identifier (parameter 2), and the application identifier (parameter 1). For example:

For operation identifier 0 and application identifier 0

There is no operation-specific information. This field is blank.

For operation identifier 0 and application identifier 1

The operation-specific information contains the IP address of the TCP/IP interface that connects to the local host (FTP server) for this session. The format for this string is dotted decimal (123.45.67.89), left-aligned.

For operation identifiers 1 through 3

The operation-specific information contains the name of the directory or library in which to perform the operation. The format for the directory or library name is an absolute path name.

For operation identifiers 4 through 8

The operation-specific information contains the name of the file on which to perform the operation. The format for the file name is an absolute path name.

For operation identifier 9

The operation-specific information contains the Control Language (CL) command the user requests.

VLRQ0100 Parameter 7:

Length of operation-specific information.

INPUT; BINARY(4)

Indicates the length of the operation-specific information (parameter 6). Length is 0 when the exit point does not provide operation-specific information.

VLRQ0100 Parameter 8:

Allow operation.

OUTPUT; BINARY(4)

Indicates whether to allow or reject the requested operation. The following table demonstrates the possible values.

Value	Description
-1	Never allow this operation identifier: Reject this operation identifier unconditionally for the remainder of the current session. This operation identifier will not call the exit program again.
0	Reject the operation
1	Allow the operation
2	Always allow this operation identifier: Allow this operation identifier unconditionally for the remainder of the current session. This operation identifier will not call the exit program again.

Related concepts

Managing access using File Transfer Protocol exit programs

You can provide additional security by adding FTP exit programs to the File Transfer Protocol (FTP) server and client exit points so that you can further restrict FTP access to your system.

VLRQ0100 exit point format usage notes

VLRQ0100 is the exit point format that is used for both the File Transfer Protocol (FTP) client request validation exit point and the FTP server request validation exit point. You need to be aware of the usage notes in this topic when using the VLRQ0100 exit point format.

Incorrect output parameters

If the output returned for the Allow Operation parameter (parameter 8) is not valid, then the FTP server rejects the requested operation and posts this message to the job log:

Data from exit program for exit point &1 is missing or not valid

Exceptions

If the FTP server encounters any exception when calling the exit program, it posts this message to the job log:

Exception encountered for FTP exit program &1 in library &2 for exit point &3

Summary: Operation-specific information

This table summarizes the Operation-specific information (VLRQ0100 parameter 6) that is required for each Operation identifier (VLRQ0100 parameter 2).

Operation identifier (VLRQ0100 Parm 2)	Operation-specific information (VLRQ0100 parameter 6)
0	NONE if application ID=0 (parameter 1)
0	Dotted decimal format IP address of client host when application ID=1 or 2 (parameter 1)

Operation identifier (VLRQ0100 Parm 2)	Operation-specific information (VLRQ0100 parameter 6)
1-3	Absolute path name of library or directory. Examples: /QSYS.LIB/QGPL.LIB ^(a) /QOpenSys/DirA/DirAB/DirABC ^(b)
4-8	Absolute path name of file. Examples: /QSYS.LIB/MYLIB.LIB/MYFILE.FILE/ MYMEMB.MBR ^(a) /QOpenSys/DirA/DirAB/DirABC/FileA1 ^(b)

Notes:

(a) - QSYS.LIB file system path names are always in uppercase

(b) - QOpenSys file system path names are case sensitive and might include upper and lower case letters.

FTP server logon exit point

You can control the authentication to a TCP/IP application server with the TCP/IP Application Server Logon exit point. This exit point allows FTP server access based on the originating session's address. It also allows you to specify an initial working directory that is different from those that are in the user profile.

When you add an exit program to the exit point, the FTP server calls the Logon exit program each time a user attempts to log on. The exit program sets the return code output parameter to indicate whether the FTP server will continue the logon operation. Alternate return code settings are available for processing the logon, and initializing directory information.

The IBM i exit point for FTP server logon is:

QIBM_QTMF_SVR_LOGON

These are three exit point formats available:

- The TCPL0100 exit point format allows this basic logon control:
 - Ability to accept or reject a logon
 - Control of the user profile, password, and current library
- The TCPL0200 exit point format provides additional parameters to control the logon process, including:
 - Ability to set the working directory to any directory on the system.
 - Ability to return application-specific information
 - Ability to control encryption of FTP data sent to and received from the FTP client.
- The TCPL0300 exit point format extends the TCPL0200 format, so you can use i5/OS enhanced password support and the additional parameters to enable CCSID processing for password and directory name fields. In addition, when the user for the session has been authenticated with a client certificate, the exit program receives the client certificate.

Notes:

1. There can be only one exit program registered for the FTP server logon exit point. You must decide which of the three exit point formats you want to use.
2. For the FTP application, this exit point provides the capability to implement anonymous FTP, including the information required to log and control access.
3. For all character parameters in exit point formats TCPL0100 and TCPL0200, and all character parameters without an associated CCSID in exit point format TCPL0200: Character data passed to the exit program is in the CCSID of the job. If the job CCSID is 65535, the character data is in the default

CCSID of the job. Any character data that is returned by the exit program in these parameters is expected to be in this same CCSID.

Server Logon exit program for anonymous FTP

For anonymous FTP, write the FTP server logon program to perform the following functions:

- Accept logons from user ID ANONYMOUS.
- Request an e-mail address as a password. It is customary to require a valid e-mail address for the password. The valid e-mail address is misleading because the exit program only verifies if there is an @ symbol in the middle of a string of alphanumeric characters. This is why it is important to log the user's IP address.
- Check for the @ symbol in the password string.
- Force ANONYMOUS users to your public access library only. See return code 3 of parameter 8 for TCPL0200 Format).

What your program should include:

- Exception handling
- Debugging
- Logging
 - Log the IP address and e-mail address (sent as a password) of the FTP requester.

Is there an exit program timeout feature?

There is no time-out for FTP exit programs. If the exit program has an error or exception that it cannot handle, the FTP server will abort the session.

QTCP needs authority

When the application calls the FTP Server Logon exit program, the FTP server job is running under the QTCP user profile.

Make sure that QTCP has sufficient authority to access and write to any log files or other satellite files associated with the exit programs.

Example programs

Example programs are available to help you set up anonymous FTP on your system. These examples are for illustration purposes. They do not contain enough features to run on a production machine as is. You can use these examples as a starting point to build your own programs. By copying portions of the code from the examples, you can add them to programs that you write yourself. It is suggested that you run the example programs on a system other than your production system.

Related concepts

[Controlling File Transfer Protocol access](#)

If you are using File Transfer Protocol (FTP), you need to control users to protect your data and network. This topic offers tips and security considerations.

[Managing access using File Transfer Protocol exit programs](#)

You can provide additional security by adding FTP exit programs to the File Transfer Protocol (FTP) server and client exit points so that you can further restrict FTP access to your system.

[Configuring anonymous File Transfer Protocol](#)

Anonymous File Transfer Protocol (FTP) enables remote users to use the FTP server without an assigned user ID and password.

[Determining problems with File Transfer Protocol](#)

If you detect a problem when using File Transfer Protocol (FTP), use the flow chart and cause lists in this topic to identify the cause of the problem.

Related reference

[Writing exit programs for anonymous File Transfer Protocol](#)

To use anonymous File Transfer Protocol (FTP) on the IBM i operating system, you need to write two exit programs: FTP Server Logon exit program and FTP Server Request Validation exit program.

Example: FTP Server Logon exit program in CL code

This is an example of a simple File Transfer Protocol (FTP) Server Logon exit program. It is written in control language (CL).

The following code is not complete, but provides a starting point to help you create your own program.

Note: By using the code examples, you agree to the terms of the [“Code license and disclaimer information”](#) on page 156.

(Preformatted text in the following example will flow outside the frame.)

```

/*****
/*
/* Example FTP Server Logon exit program.
/* Note: This program is only an example and has not undergone any formal
/* review or testing.
/*
/* Additional notes:
/* 1. When the FTP server logon exit is called, the FTP server job is
/* running under the QTCP user profile.
/* 2. For the ANONYMOUS case, users can add logging capability (for
/* example, write the E-mail address entered for the password and
/* the client IP address to a log file).
/* 3. IBM strongly recommends that you create the exit program in a library
/* with *PUBLIC authority set to *EXCLUDE, and give the exit program
/* itself a *PUBLIC authority of *EXCLUDE. The FTP server adopts
/* authority when it is necessary to resolve and call the exit program.
/*
/*****
TSTLOGCL: PGM PARM(&APPIDIN &USRIN &USRLENIN &AUTIN &AUTLENIN +
&IPADDRIN &IPLLENIN &RETCDOU &USRPRFOU &PASSWDOUT +
&CURLIBOUT)

/* Declare input parameters */
DCL VAR(&APPIDIN) TYPE(*CHAR) LEN(4) /* Application identifier */
DCL VAR(&USRIN) TYPE(*CHAR) LEN(999) /* User ID */
DCL VAR(&USRLENIN) TYPE(*CHAR) LEN(4) /* Length of user ID */
DCL VAR(&AUTIN) TYPE(*CHAR) LEN(999) /* Authentication string */
DCL VAR(&AUTLENIN) TYPE(*CHAR) LEN(4) /* Length of auth. string */
DCL VAR(&IPADDRIN) TYPE(*CHAR) LEN(15) /* Client IP address */
DCL VAR(&IPLLENIN) TYPE(*CHAR) LEN(4) /* IP address length */
DCL VAR(&RETCDOU) TYPE(*CHAR) LEN(4) /* return code (out) */
DCL VAR(&USRPRFOU) TYPE(*CHAR) LEN(10) /* user profile (out) */
DCL VAR(&PASSWDOUT) TYPE(*CHAR) LEN(10) /* password (out) */
DCL VAR(&CURLIBOUT) TYPE(*CHAR) LEN(10) /* current library (out) */

/* Declare local copies of parameters (in format usable by CL) */
DCL VAR(&APPID) TYPE(*DEC) LEN(1 0)
DCL VAR(&USRLEN) TYPE(*DEC) LEN(5 0)
DCL VAR(&AUTLEN) TYPE(*DEC) LEN(5 0)
DCL VAR(&IPLLEN) TYPE(*DEC) LEN(5 0)

/* Assign input parameters to local copies */
CHGVAR VAR(&APPID) VALUE(%BINARY(&APPIDIN))
CHGVAR VAR(&USRLEN) VALUE(%BINARY(&USRLENIN))
CHGVAR VAR(&AUTLEN) VALUE(%BINARY(&AUTLENIN))
CHGVAR VAR(&IPLLEN) VALUE(%BINARY(&IPLLENIN))

/* Check for ANONYMOUS user. Allow for ANONYMOUSA, etc. as "regular" */
/* user profile. */
IF COND(&USRLEN = 9) THEN(DO)
IF COND(%SST(&USRIN 1 9) = 'ANONYMOUS')
THEN(DO)
/* For anonymous user: want to force user profile ANONYMOUS current library to PUBLIC. */
CHGVAR VAR(%BINARY(&RETCDOU)) VALUE(6)
CHGVAR VAR(&USRPRFOU) VALUE('ANONYMOUS ')
CHGVAR VAR(&CURLIBOUT) VALUE('PUBLIC ')

```

```

                ENDDO
/* Any other user: proceed with normal logon processing. */
                ELSE      CMD(CHGVAR VAR(%BINARY(&RETCDOUT))  VALUE(1))
                ENDDO
                ELSE      CMD(CHGVAR VAR(%BINARY(&RETCDOUT))  VALUE(1))

END:           ENDPGM

```

Example: FTP Server Logon exit program in C code

This is an example of a simple File Transfer Protocol (FTP) Server Logon exit program. It is written in C programming language.

This code is not complete, but provides a starting point to help you create your own program.

Note: By using the code examples, you agree to the terms of the [“Code license and disclaimer information”](#) on page 156.

(Preformatted text in the following example will flow outside the frame.)

```

/* Module Description *****/
/*
/*****
/* Note: This program is only an example and has NOT undergone any
/      formal review or testing.
/*
/*****
/* Source File Name: qtmfsvrlgn.c
/*
/* Module Name: FTP Server Logon exit program.
/*
/* Service Program Name: n/a
/*
/* Source File Description:
/* This example exit program provides additional control over the
/* process of authenticating a user to a TCP/IP application server.
/* When installed, this example exit program would be called each
/* time a user attempts to log on to the server.
/*
/*****
/* Function List: main          - FTP Server Logon exit program main.
/*                   qtmfsvrlgn - FTP Server Logon exit function.
/*                   CheckClientAddress - Check originating sessions IP
/*                                     address.
/*
/* End Module Description *****/
#define _QTMFSVRLGN_C

/*****
/* All file scoped includes go here
/*****
#ifndef __stdio_h
#include <stdio.h>
#endif

#ifndef __ctype_h
#include <ctype.h>
#endif

#ifndef __string_h
#include <string.h>
#endif

#ifndef __stdlib_h
#include <stdlib.h>
#endif

#include "qusec.h"          /* Include for API error code structure */
#include "qsysrri.h"       /* Include for User Information API   */

/*****
/* All file scoped Constants go here
/*****

```

```

#define EQ      ==
#define NEQ    !=
#define BLANK   ' '
#define FWIDTH 128      /* Width of one database file record */
#define FNAME   21      /* Qualified database file name width */

/* Valid characters for Client IP address. The CheckClientAddress() */
/* function will check the Client IP address input argument      */
/* (ClientIPAddr_p) to ensure it is in valid dotted-decimal format.*/
/* This is one example of an input validity check.                */
const char ValidChars[] = "0123456789.";
/*****
/* All file scoped type declarations go here
*****/

/*****
/* All file-scoped macro calls go here
*****/

/*****
/* All internal function prototypes go here
*****/

static void qtmfsvrlgn
    (int,char *,int,char *,int,char *,int,int *,char *,char *,char *);

static int CheckClientAddress(char *, int);

/*****
/* All file scoped variable declarations go here
*****/

/*****
/*      ** NOTE **
/* The following client IP address are for example purposes only. Any */
/* resemblance to actual system IP addresses is purely coincidental. */
*****/

/* EXCLUSIVE system lists, ie - Logon attempts from any client IP */
/* addresses NOT in one of these lists */
/* are allowed to continue. */
/* Reject server logon attempts of users attempting to log in from */
/* these client systems (return code = 0) */
char Reject[] = "1.2.3.4 5.6.7.8";
/* Limit logon abilities of users attempting to log in as ANONYMOUS */
/* from these client systems (return code = 6). */
/* In this example program, the initial current library is set and */
/* returned as an output parameter for users attempting to log in */
/* as ANONYMOUS from these specific client systems. */
char Limit[] = "9.8.7.6 4.3.2.1 8.7.6.5";

/* Function Specification *****/
/*
/* Function Name: Main
/*
/* Descriptive Name: FTP Server Logon exit program main.
/*
/* This example exit program allows access to a TCP/IP server to
/* be controlled by the address of the originating session, gives
/* additional control over the initial current library to a user,
/* and provides the capability to implement "anonymous" FTP.
/*
/* Notes:
/*
/* Dependencies:
/* FTP Server Logon exit point QIBM_QTMF_SVR_LOGON was registered
/* during FTP product installation.
/*
/* Restrictions:
/*
/* None
/*
/* Messages:
/*
/* None
/*
/* Side Effects:
/*

```

```

/*      None                                                                    */
/*      Functions/Macros called:                                                */
/*      qtmfsvrlgn - Server Logon exit function.                               */
/*      */
/* Input:                                                                       */
/* int * argv[1] - Identifies requesting application (FTP Client =0, FTP Server = 1). */
/* char * argv[2] - User identifier from client program. (For FTP server, this is user CMD data) */
/* int * argv[3] - Length (in bytes) of User ID string. */
/* char * argv[4] - Authentication string from client. (For FTP server, this is the password) */
/* int * argv[5] - Length (bytes) Authentication string. */
/* char * argv[6] - Internet Protocol address from which the session originates. */
/* int * argv[7] - Length (in bytes) of IP address. */
/* int * argv[8] - Return code (received as 0). */
/* char * argv[9] - User profile (received as blanks). */
/* char * argv[10] - Password (received as blanks). */
/* char * argv[11] - Initial current library (received as blanks) */
/* Exit Normal: Return Return Code, User Profile, Password, Initial Current Library to server application. */
/* Exit Error: None */
/* End Function Specification *****/
void main(int argc, char *argv[])
{
  /* Code */
  /* Collect input arguments and call function to determine if client should be allowed to log in to an FTP server application. */
  /* Application Identifier (Input) */
  argv[2], /* User Identifier (Input) */
  *((int *)argv[3]), /* Length User of Identifier (Input) */
  argv[4], /* Authentication String (Input) */
  *((int *)argv[5]), /* Length of Authentication string (Input) */
  argv[6], /* Client IP Address (Input) */
  *((int *)argv[7]), /* Length of Client IP Address (Input) */
  (int *)argv[8], /* Return Code (Output) */
  argv[9], /* User Profile (Output) */
  argv[10], /* Password (Output) */
  argv[11]; /* Initial Current Library (Output) */
  return;
}

/* Function Specification *****/
/* Function Name: qtmfsvrlgn */
/* Descriptive Name: Server Logon exit function. */
/* This exit function provides control over user authentication to an FTP server. */
/* Notes: */
/* Dependencies: */
/* FTP Server Logon exit point QIBM_QTMF_SVR_LOGON was registered during FTP product installation. */
/* Restrictions: */
/* None */
/* Messages: */

```

```

/*
/*      None
/*
/*      Side Effects:
/*
/*      None
/*
/*      Functions/Macros called:
/*
/*      CheckClientAddress - Check the ClientIPAddr_p input argument.*/
/*      memcpy - Copy bytes from source to destination.
/*      memset - Set bytes to value.
/*      strstr - Locate first occurrence of substring.
/*      sprintf - Formatted print to buffer.
/*
/* Input:
/*      int      ApplId          - Application Identifier (Server = 1).
/*      char *   UserId_p        - User identifier from client program.
/*                                     (For FTP server, USER subcommand data)*/
/*      int      Lgth_UserId     - Length (in bytes) of user ID string.
/*      char *   AuthStr_p       - Authentication string from client.
/*                                     (For FTP server, this is the password)*/
/*      int      Lgth_AuthStr    - Length (bytes) Authentication string.
/*      char *   ClientIPAddr_p  - Internet Protocol address from which
/*                                     the session originates.
/*      int *    Lgth_ClientIPAddr - Length (in bytes) of IP address.
/*
/* Output:
/*      int * ReturnCode: Indicates degree of success of operation:
/*          ReturnCode = 0 - Reject logon.
/*          ReturnCode = 1 - Continue logon; use initial current library*/
/*          ReturnCode = 2 - Continue logon; override initial current
/*                          library
/*          ReturnCode = 3 - Continue logon; override user, password
/*          ReturnCode = 4 - Continue logon; override user, password,
/*                          current library
/*          ReturnCode = 5 - Accept logon; override user profile
/*          ReturnCode = 6 - Accept logon; override user profile,
/*                          current library
/*      char * UserProfile - User profile to use for this session
/*      char * Password    - Password to use for this session
/*      char * Init_Cur_Lib - Initial current library for this session
/*
/* Exit Normal: (See OUTPUT)
/*
/* Exit Error: None
/*
/* End Function Specification *****/
static void qtmfsvrln(int ApplId, /* Entry point */
                    char *UserId_p,
                    int Lgth_UserId,
                    char *AuthStr_p,
                    int Lgth_AuthStr,
                    char *ClientIPAddr_p,
                    int Lgth_ClientIPAddr,
                    int *ReturnCode,
                    char *UserProfile_p,
                    char *Password_p,
                    char *InitCurrLib_p)
{
/* *****
/* Local Variables
/* *****
/* The following lists serve as an example of an additional layer
/* of control over user authentication to an application server.
/* Here, logon operations using the following user identifiers
/* will be allowed to continue, but the output parameters returned
/* by this example exit program will vary depending on which list
/* a user identifier (UserId_p) is found in.
/* For example, attempts to logon as FTPUSR11 or FTPUSR2 will be
/* allowed, and this example exit will return the initial current
/* library as an output parameter along with a return code of 2.
/* *****
/* Continue the logon operation, Return Code = 1
char Return1[] = "FTPUSR10 ";
/* Continue the logon operation, Return Code = 2
char Return2[] = "FTPUSR11 FTPUSR2 ";
/* Continue the logon operation, Return Code = 3
char Return3[] = "FTPUSR12 FTPUSR3 FTPUSR23 ";
/* Continue the logon operation, Return Code = 4

```

```

char Return4[] = "FTPUSER  FTPUSR4  FTPUSR24  FTPUSR94  ";
int rc; /* Results of server logon request */
Qsy_USRI0300_T Receiver_var; /* QSYRUSRI API Receiver variable */
int Lgth_Receiver_var; /* Receiver variable length */
char Format_Name[8]; /* Format name buffer */
char User_Id[10]; /* User Identifier buffer */
Qus_EC_t error_code = /* QSYRUSRI API error code structure: */
{
    sizeof(Qus_EC_t), /* Set bytes provided */
    0, /* Initialize bytes available */
    ' ', ' ', ' ', ' ', ' ', ' ', ' ', ' ', ' ', ' ' /* Initialize Exception Id */
};
char *pcTest_p; /* Upper-case User Identifier pointer*/
int i; /* "For" loop counter variable */

/*****
/* Code
*****/

/* Test validity of application ID input argument. */
if(1 NEQ ApplId)
{
    /* ERROR - Not FTP server application. */
    /* Return Code of 0 is used here to indicate */
    /* that an incorrect input argument was received. */
    /* The server logon operation will be rejected. */
    rc = 0; /* Application ID not valid */
} /* End If the application identifier is NOT for FTP server */
else /* FTP server application identifier */
{
    /* Validate the client IP address input argument. */
    rc = CheckClientAddress(ClientIPAddr_p,
        Lgth_ClientIPAddr);
    if(0 NEQ rc) /* Valid, acceptable client address */
    {
        /* Initialize User_Id; used to hold upper-cased user identifier */
        memset(User_Id, BLANK, sizeof(User_Id));

        /* Initialize pcTest_p to point to UserId_p input argument. */
        pcTest_p = UserId_p;

        /* Uppercase all of the user ID to compare for ANONYMOUS user. */
        for(i = 0; i < Lgth_UserId; i++)
        {
            User_Id[i] = (char)toupper(*pcTest_p);
            pcTest_p += 1;
        }

        /* If user has logged in as ANONYMOUS. */
        if(0 == memcmp("ANONYMOUS ", User_Id, 10))
        {
            /* Determine how to continue with ANONYMOUS logon attempt. */
            if(NULL NEQ strstr(Limit, ClientIPAddr_p))
            {
                /* If users system IP address is found in the "Limit" list, */
                /* return ReturnCode of 6, user profile and initial */
                /* current library values as output parameters. */
                memcpy(UserProfile_p, "USERA1 ", 10);
                memcpy(InitCurrLib_p, "PUBLIC ", 10);
                rc = 6;
            }
            else
            {
                /* Users system IP address is NOT found in the "Limit" list,*/
                /* return ReturnCode of 5, user profile output parameter; */
                /* use the initial current library that is specified by the */
                /* user profile information. */
                memcpy(UserProfile_p, "USERA1 ", 10);
                rc = 5;
            }
        } /* End If USER is ANONYMOUS */
    }

    else /* Else USER is not ANONYMOUS */
    {
        /* Set receiver variable length. */
        Lgth_Receiver_var = sizeof(Qsy_USRI0300_T);
        /* Set return information format. */
        memcpy(Format_Name, "USRI0300", sizeof(Format_Name));
        /* Set user identifier passed in. */
    }
}

```

```

memset(User_Id, BLANK, sizeof(User_Id));
memcpy(User_Id, UserId_p, Lgth_UserId);
/* Call QSYRUSRI - Retrieve User Information API */
QSYRUSRI(&Receiver_var, /* Return Information receiver var */
        Lgth_Receiver_var, /* Receiver variable length */
        Format_Name, /* Return information format name */
        User_Id, /* User ID seeking information */
        &error_code); /* Error return information */
/* Check if an error occurred (byte_available not equal 0) */
if(0 NEQ error_code.Bytes_Available)
{
    /* Return ReturnCode of 0 only (Reject logon); */
    rc = 0; /* Reject the logon operation */
    *ReturnCode = rc; /* Assign result to ReturnCode */
}
else /* No error occurred from Retrieve User Info */
{
    /* (Bytes_Available = 0) */
    /* Set current library for user profile. */
    memcpy(InitCurrLib_p, Receiver_var.Current_Library, 10);
    if(NULL NEQ strstr("CRTDFT ",
                    Receiver_var.Current_Library))
    {
        memcpy(InitCurrLib_p, "FTPDEFAULT", 10);
    }
}
else
{
    if(NULL NEQ strstr(Return1, UserId_p))
    {
        /* Return ReturnCode of 1 (Continue logon); */
        /* Also return user profile and password output */
        /* parameters to endure they are ignored by the server.*/
        memcpy(UserProfile_p, UserId_p, Lgth_UserId);
        memcpy>Password_p, AuthStr_p, Lgth_AuthStr);
        rc = 1; /* Continue the logon operation */
    }
}
else
{
    if(NULL NEQ strstr(Return2, UserId_p))
    {
        /* Return ReturnCode of 2, and initial current library*/
        /* Also return user profile and password values */
        /* even though they will be ignored by the server. */
        memcpy(UserProfile_p, UserId_p, Lgth_UserId);
        memcpy>Password_p, AuthStr_p, Lgth_AuthStr);
        memcpy(InitCurrLib_p, "FTPEXT2",
                strlen("FTPEXT2"));
        rc = 2; /* Continue logon; return InitCurLib */
    }
}
else
{
    if(NULL NEQ strstr(Return3, UserId_p))
    {
        /* Return ReturnCode of 3, user profile, password. */
        /* Also return initial current library value, */
        /* even though it will be ignored. */
        memcpy(UserProfile_p, UserId_p, Lgth_UserId);
        memcpy>Password_p, AuthStr_p, Lgth_AuthStr);

        memcpy(InitCurrLib_p, "FTPEXT3",
                strlen("FTPEXT3")); /* Server ignores */
        rc = 3;
    }
}
else
{
    if(NULL NEQ strstr(Return4, UserId_p))
    {
        /*Return ReturnCode of 4, user profile, */
        /* password, and initial current library values */
        memcpy(UserProfile_p, UserId_p, Lgth_UserId);
        memcpy>Password_p, AuthStr_p, Lgth_AuthStr);
        memcpy(InitCurrLib_p, "FTPEXT4",
                strlen("FTPEXT4"));

        rc = 4;
    }
}
else
    /* This is the default return code for logon */
    /* attempts using any user identifier not */
    /* explicitly found in one of the four lists in */

```



```

/* format of minimum length, with no leading blanks or periods, */
/* and contains only valid characters. */
if((Lgth_ClientIPAddr < 7) || /* Minimum IP address size */
   (strspn(ClientIPAddr_p, ValidChars) < Lgth_ClientIPAddr)||
   (strspn(ClientIPAddr_p, ".") EQ 1)|| /* Leading '.' in IP */
   (strspn(ClientIPAddr_p, " ") EQ 1)) /* Leading blank in IP */
  {
  /* Client's IP address not valid, or contains an incorrect character */
  rc = 0; /* Client IP address input argument not valid */
  }
else
  {
  /* Is client system allowed to log in to FTP server? */
  if(NULL NEQ strstr(Reject, ClientIPAddr_p))
    {
    /* Return code = 0 - Reject the server logon operation, as the */
    /* client IP address is found in the global */
    /* "Reject" list. */
    rc = 0; /* Reject the logon operation */
    }
  else
    {
    /* Continue the server logon operation checks. */
    rc = 1; /* Continue the logon operation */
    }
  }
return(rc);
}

#undef _QTMFSVRLGN_C

```

Example: FTP Server Logon exit program in ILE RPG code

This is an example of a simple File Transfer Protocol (FTP) Server Logon exit program. It is written in ILE RPG.

This code is not complete, but provides a starting point to help you create your own program.

Note: By using the code examples, you agree to the terms of the [“Code license and disclaimer information”](#) on page 156.

(Preformatted text in the following example will flow outside the frame.)

```

*Module Description *****
*
*****
*
* Note: This program is only an example and has NOT undergone any *
*       formal review or testing. *
*
*****
*
*           PROGRAM FUNCTION *
*
* This program demonstrates some of the abilities an FTP Server *
* Logon Exit Program can have. *
*
*****
F/SPACE 3
*****
*
*           INDICATOR USAGE *
*
* IND.  DESCRIPTION *
*
* LR - CLOSE FILES ON EXIT *
*
*****
F/EJECT
*****
* DATA STRUCTURES USED BY THIS PROGRAM *
*****
*
* Define constants
*
1 D Anonym          C          CONST('ANONYMOUS ')
  D Text1           C          CONST('Anonymous (')
  D Text2           C          CONST(') FTP logon')
  D InvalidNet      C          CONST('10.')

```

```

C/EJECT
*****
* VARIABLE DEFINITIONS AND LISTS USED BY THIS PROGRAM *
*****
C/SPACE 2
*
* Define binary parameters
*
D          DS
D APPIDds      1      4B 0
D USRLEnds     5      8B 0
D AUTLEnds     9     12B 0
D IPLEnds     13     16B 0
D RETCDds     17     20B 0
*
C *LIKE      DEFINE  APPIDds      APPIDIN
C *LIKE      DEFINE  USRLEnds     USRLENIN
C *LIKE      DEFINE  AUTLEnds     AUTLENIN
C *LIKE      DEFINE  IPLEnds     IPLENIN
C *LIKE      DEFINE  RETCDds     RETCDOUT
*
* Define parameter list
*
C *Entry     PLIST
* Input parameters:
C          PARM          APPIDIN          possible values: 1 = FTP Server
Program
C          PARM          USRIN           999          User ID
C          PARM          USRLENIN        Length of User
ID
C          PARM          AUTIN           999          Authentication
Strg
C          PARM          AUTLENIN        Length of
Auth. Strg
C          PARM          IPADDRIN        15          Client IP
Address
C          PARM          IPLENIN        Length of IP
Address
* Return parameters:
C          PARM          RETCDOUT        Return Code
(Out)
*          possible values: 0 = Reject Logon
*          1 = Continue
Logon
*          2 = Continue
Logon,
*          override
current
*          library
*          3 = Continue
Logon,
*          override
user prf,
*          password
*          4 = Continue
Logon,
*          override
user prf,
*          password,
current
*          library
*          5 = Accept logon
with
*          user prf
returned
*          6 = Accept logon
with
*          user prf
returned,
*          override
current
*          library
C          PARM          USRPRFOUT      10          User Profile
(Out)
C          PARM          PASSWDOUT      10          Password (Out)
C          PARM          CURLIBOUT      10          Current Lib.
(Out)
C/EJECT
*****
* THE MAIN PROGRAM *
*****

```

```

*
* Check for ANONYMOUS user
*
C      1
C      USRLENIN      SUBST(P)  USRIN:1      User      10
C      User          IFEQ      Anonym
C      MOVEL         Anonym      USRPRFOUT
*
* Check if the user entered something as a e-mail address
*
C      AUTLENIN      IFGT      *ZERO
C      E-mail addr. entered
*
* Check if the E-mail address is a valid one
*
C      Z-ADD         0          i          3 0
C      '@'          SCAN      AUTIN:1      i
address
*
* contains @
character
*
C      i            IFGT      0
C      AUTLENIN     SUBST(P)  AUTIN:1      Email     30
C      Z-ADD        5          RETCDOUT
*
* Log Anonymous FTP Logon to message queue QSYSOPR
* (The logging should be done to a secure physical file!!!!!!)
*
C      Text1        CAT(p)    Email:0      Message   43
C      Message      CAT(p)    Text2:0     Message
C      Message      DSPLY     'QSYSOPR'
*
C      ELSE
addr
*
C      Z-ADD         0          RETCDOUT
attempt
*
C      ENDIF
*
C      ELSE
address
*
C      Z-ADD         0          RETCDOUT
attempt
*
C      ENDIF
*
C      ELSE
*
* Any Other User: Proceed with Normal Logon Processing, but the Client address must not
belong
*
* to network 10.xxx.xxx.xxx
*
C      3            SUBST     IPADDRIN:1   TheNet    3
C      TheNet       IFEQ      InvalidNet
C      Z-ADD        0          RETCDOUT
attempt
*
C      ELSE
C      Z-ADD        1          RETCDOUT
Logon
*
C      ENDIF
*
C      ENDIF
*
C      EVAL         *INLR = *ON
C      RETURN

```

TCPL0100 exit point format

The exit point for File Transfer Protocol (FTP) Server Logon is QIBM_QTMF_SVR_LOGON. The exit point for Remote Execution Protocol (REXEC) Server Logon is QIBM_QTMX_SVR_LOGON. TCPL0100 is one of the interfaces that controls the parameter format for these exit points. This topic discusses the parameters of the TCPL0100 exit point format.

This is the required parameter group for the TCPL0100 exit point format.

Parameter	Description	Input or output	Type and length
1	Application identifier	Input	Binary(4)
2	User identifier	Input	Char(*)

Parameter	Description	Input or output	Type and length
3	Length of user identifier	Input	Binary(4)
4	Authentication string	Input	Char(*)
5	Length of authentication string	Input	Binary(4)
6	Client IP address	Input	Char(*)
7	Length of client IP address	Input	Binary(4)
8	Return code	Output	Binary(4)
9	User profile	Output	Char(10)
10	Password	Output	Char(10)
11	Initial current library	Output	Char(10)

Parameter descriptions

Application identifier

INPUT; BINARY(4) Identifies the requested application server. The valid values are:

- 1**
FTP server program
- 2**
REXEC server program

User identifier

INPUT; CHAR(*) The user identification supplied by the client program. For the FTP server, this parameter contains the data field from the USER subcommand.

Length of user identifier

INPUT; BINARY(4) The length (in bytes) of the user identifier string.

Authentication string

INPUT; CHAR(*) The string (such as a password) supplied by the client program.

For the FTP server, this parameter contains the data field from the PASS (password) subcommand. Beginning with V5R1, if the user is authenticated by a client certificate, no data is provided for this parameter.

Length of authentication string

INPUT; BINARY(4) The length (in bytes) of the authentication string.

Note: For the FTP server: When the user is authenticated by a client certificate, this parameter is set to 0.

Client IP address

INPUT; CHAR(*) The Internet Protocol (IP) address from which the session originates. This string is in dotted decimal format, left justified.

Length of client IP address

INPUT; BINARY(4) Indicates the length (in bytes) of the client IP address.

Return code

OUTPUT; BINARY(4) Indicates whether to accept or reject the logon operation, to perform password authentication, and whether or not to override the initial current library. The valid values are:

- 0**
Reject the logon operation. Ignore the user profile, password, and initial current library output parameters.

1

Continue the logon operation with the specified user identifier and authentication string, and the user-specified the initial current library. The user identifier becomes the user profile, and the authentication string becomes the password. The program ignores the user profile, password, and initial current library output parameters.

Note: For the logon to succeed, the authentication string must match the user profile-specified password.

2

Continue the logon operation with the specified user identifier and authentication string, and override the initial current library with the one specified by the initial current library parameter. The user identifier is the user profile. The authentication string is the password. Provide the initial current library output parameter. The program ignores the user profile and password output parameters.

Note: For the logon to succeed, the authentication string must match the user profile-specified password.

3

Continue the logon operation. Override the user profile and password with those values you received from the output parameters of this exit program. Use the user profile-specified initial current library that the exit program returns. The program ignores the initial current library output parameter.

Note: For the logon to succeed, the password output parameter must match the user profile-specified password.

Attention! IBM strongly recommends that you **never** code passwords directly in an exit program. Encryption, for example, allows algorithmic password determination.

4

Continue the logon operation, which will override the user profile, password, and initial current library with output parameters of this exit program.

Note: For the logon to succeed, the password output parameter must match the user profile-specified password.

Attention! IBM strongly recommends that you **never** code passwords directly in an exit program. Encryption, for example, allows algorithmic password determination.

5

Accept the logon operation. Override the user profile is returned in the user profile output parameter of this exit program. Use the initial current library specified by the user profile, returned by this exit program. The program ignores the output parameters for the initial current library and password.

Note: Specifying this value overrides normal i5/OS password processing. It is the only password authentication.

6

Accept the logon operation. Override the user profile and initial current library with those that are returned in the output parameters of this exit program. Ignore the output parameter for password.

Note: Specifying this value overrides normal i5/OS password processing. It is the only password authentication.

User profile

OUTPUT; CHAR(10) The user profile to use for this session. This parameter must be left justified and padded with blanks.

Password

OUTPUT; CHAR(10) The password to use for this session. This parameter must be left justified and padded with blanks.

Initial current library

OUTPUT; CHAR(10) The initial current library to be established for this session. This parameter must be left justified and padded with blanks.

Related reference

TCPL0200 exit point format

The exit point for File Transfer Protocol (FTP) Server Logon is QIBM_QTMF_SVR_LOGON. TCPL0200 is one of the interfaces that controls the parameter format for these exit points. This topic discusses the parameters of the TCPL0200 exit point format.

TCPL0300 exit point format

The exit point for File Transfer Protocol (FTP) Server Logon is QIBM_QTMF_SVR_LOGON. The exit point for Remote Execution Protocol (REXEC) Server Logon is QIBM_QTMX_SVR_LOGON. TCPL0300 is one of the interfaces that controls the parameter format for these exit points. This topic discusses the parameters of the TCPL0300 exit point format.

TCPL0100 format usage notes

TCPL0100 is one of the exit point formats that is used for both the File Transfer Protocol (FTP) Server Logon exit point and the Remote Execution Protocol (REXEC) Server Logon Validation exit point.

For File Transfer Protocol (FTP), if any of the returned output parameters are not valid, the FTP server will not allow the operation. In this case, the FTP server issues the message `Data from exit program for exit point &1 is missing or not valid` to the job log.

For FTP, if you encounter any exception when you call the exit program, the FTP server issues this message: `Exception encountered for FTP exit program &1 in library &2 for exit point &3`

This table summarizes what the FTP server will do, depending on the value of the return code (parameter 8) that is returned to the FTP server by the exit program.

Note: A value of 'Return value' indicates that the exit program must return the appropriate value for that output parameter. The value will then be used by the FTP server to complete the logon request process.

Return code	User profile (9)	Password (10)	Initial lib (11)
0	Ignored	Ignored	Ignored
1	(User identifier, parameter 2)	(Password, parameter 4)	(From user profile)
2	(User identifier, parameter 2)	(Password, parameter 4)	Return value
3	Return value	Return value	(From user profile)
4	Return value	Return value	Return value
5	Return value	Ignored	(From user profile)
6	Return value	Ignored	Return value

In the table above, the values in parentheses indicate what the TCP/IP application uses for information when it ignores the output value. The entry Ignored means that it used no value; therefore return nothing for that return code value.

For the FTP server (exit point QIBM_QTMF_SVR_LOGON, application identifier 1): when the user identifier is ANONYMOUS and this exit point adds the exit program, the FTP server issues this special reply when requesting the password: `331 Guest logon in process, send complete e-mail address as password`. The application issues this message before calling the exit program.

After the application accepts the FTP server logon, the FTP server issues this reply: `230 Guest logon accepted, access restrictions apply`

REXEC server (application identifier 2):

1. If the return allow operation output parameter is not valid, the REXEC server will not allow the operation. The REXEC server issues the message "Data from exit program for exit point &1 is missing or not valid" to the job log.
2. If the REXEC server encounters any exception when calling the exit program, the REXEC server will not allow the operation. It issues the message "Exception encountered for REXEC exit program &1 in library &2 for exit point &3," to the job log.

TCPL0200 exit point format

The exit point for File Transfer Protocol (FTP) Server Logon is QIBM_QTMF_SVR_LOGON. TCPL0200 is one of the interfaces that controls the parameter format for these exit points. This topic discusses the parameters of the TCPL0200 exit point format.

This is the required parameter group.

Parameter	Description	Input or output	Type and length
1	Application identifier	Input	Binary(4)
2	User identifier	Input	Char(*)
3	Length of user identifier	Input	Binary(4)
4	Authentication string	Input	Char(*)
5	Length of authentication string	Input	Binary(4)
6	Client IP address	Input	Char(*)
7	Length of client IP address	Input	Binary(4)
8	Allow logon	Output	Binary(4)
9	User profile	Output	Char(10)
10	Password	Output	Char(10)
11	Initial current library	Input/Output	Char(10)
12	Initial home directory	Output	Char(*)
13	Length of initial home directory	Input/Output	Binary(4)
14	Application-specific information	Input/Output	Char(*)
15	Length of application-specific information	Input	Binary(4)

Parameter descriptions

Application identifier

INPUT; BINARY(4) Identifies the application server from which the request is being made. The valid values are:

1

FTP server program

User identifier

INPUT; CHAR(*) The user identification supplied by the client program. For the FTP server, this parameter contains the data field from the USER subcommand.

Length of user identifier

INPUT; BINARY(4) The length (in bytes) of the user identifier string.

Authentication string

INPUT; CHAR(*) The string (such as a password) supplied by the client program.

For the FTP server, this parameter contains the data field from the PASS (password) subcommand. Beginning with V5R1, if the user is authenticated by a client certificate, no data is provided for this parameter.

Length of authentication string

INPUT; BINARY(4) The length (in bytes) of the authentication string.

Note: For the FTP server: When the user is authenticated by a client certificate, this parameter is set to 0.

Client IP address

INPUT; CHAR(*) The Internet Protocol (IP) address from which the session originates. This string is in dotted-decimal format, left justified.

Length of client IP address

INPUT; BINARY(4) Indicates the length (in bytes) of the client IP address.

Allow logon

OUTPUT; BINARY(4) Indicates whether the logon operation should be accepted or rejected, and how password authentication is performed. The valid values are:

0

Reject the logon operation. Ignores all other output parameters.

1

Continue the logon operation with the specified user identifier and authentication string. The user identifier is the user profile, and the authentication string is the password. The current library and working directory is based on the settings of those output parameters. The application ignores the user profile and password output parameters.

Note: For the logon to succeed, the authentication string must match the user profile-specified password.

2

Continue the logon operation. Override the user profile and password with the returned values in the output parameters of this exit program. The application initializes the current library and working directory based on the settings of those output parameters.

Note: For the logon to succeed, the password output parameter must match the user profile-specified password.

Attention! IBM strongly recommends that you **never** code passwords directly in an exit program. Encryption, for example, allows algorithmic password determination.

3

Accept the logon operation. Override the user profile with the profile returned in the user profile output parameter of this exit program. The program initializes the current library and working directory based on the settings of the output parameters. It ignores the password output parameter.

Note: If the system is running at a security level of 20 or higher, specifying this value overrides normal i5/OS password processing. This is the only password authentication.

User profile

OUTPUT; CHAR(10) The user profile to use for this session. When required, this parameter must be left justified and padded with blanks.

Password

OUTPUT; CHAR(10) The password to use for this session. When required, this parameter must be left justified and padded with blanks.

Initial current library

OUTPUT; CHAR(10) The initial current library to use for this session. When required, this parameter must be left justified and padded with blanks. This parameter is set to the following special value when the exit program is called:

***CURLIB**

Use the current library that the user profile specifies.

Initial home directory

OUTPUT; CHAR(*) The initial setting of the home directory to use for this session. When specified, this parameter must be a valid absolute path name, and the length of initial home directory parameter set to the proper value.

Length of initial home directory

INPUT/OUTPUT; BINARY(4) The length of the initial home directory parameter returned by the exit program. This parameter initializes at zero when the application calls the exit program. If the exit program does not change the value of the parameter, the home directory is initialized to the home directory that the user's profile specifies.

Application-specific information

INPUT/OUTPUT; CHAR(*) Information that is used to communicate application-specific logon settings. For the correct format, see [Format of application-specific information parameter](#).

Length of application-specific information

INPUT; BINARY(4) The length (in bytes) of the application-specific information.

Related tasks

[Configuring FTP servers for graphical FTP clients and Web tools](#)

File Transfer Protocol (FTP) servers on the IBM i operating system support graphical FTP clients, Web browsers, and other Web tools. Because most graphical FTP clients use the UNIX-style format as their list format and path file as their file name format, you need to configure your FTP server to support these formats.

Related reference

[TCPL0100 exit point format](#)

The exit point for File Transfer Protocol (FTP) Server Logon is QIBM_QTMF_SVR_LOGON. The exit point for Remote Execution Protocol (REXEC) Server Logon is QIBM_QTMX_SVR_LOGON. TCPL0100 is one of the interfaces that controls the parameter format for these exit points. This topic discusses the parameters of the TCPL0100 exit point format.

Format of application-specific information parameter

When the application identifier indicates the FTP server program, the application-specific information parameter has these field.

Offset Dec	Offset Hex	Type	Field
0	0	BINARY(4)	Initial name format
4	4	BINARY(4)	Initial current working directory
8	8	BINARY(4)	Initial file listing format
12	C	BINARY(4)	Control connection security mechanism
16	10	BINARY(4)	Data connection encryption option
20	14	BINARY(2)	Control connection ciphersuite
22	16	BINARY(2)	Data connection cyphersuite

Field descriptions

Initial name format

Identifies the initial setting of the file name format for this session. When the exit program is called, the value of this field is set to correspond to the FTP server configuration file value specified by the NAMEFMT parameter. Valid values are:

0

Use the LIBRARY/FILE.MEMBER name format. This setting corresponds to the NAMEFMT(*LIB) option of the CHGFTP command and is equivalent to specifying the SITE NAMEFMT 0 subcommand to the FTP server.

1

Use the path name format. This setting corresponds to the NAMEFMT(*PATH) option of the CHGFTP command and is equivalent to specifying the SITE NAMEFMT 1 subcommand to the FTP server.

Initial current working directory

Identifies the initial setting of the FTP server current working directory, which is the default directory that is used for file and list operations. When the exit program is called, the value of this field is set to correspond to the FTP server configuration values specified by the CURDIR. Valid values are:

0

Use the current library as the initial FTP server current working directory. This setting corresponds to the CURDIR(*CURLIB) option of the CHGFTP command.

1

Use the home directory as the initial FTP server current working directory. This setting corresponds to the CURDIR(*HOMEDIR) option of the CHGFTP command.

Note: If you set this field to 1, you must also set the initial name format field to 1.

Initial file list format

Identifies the initial setting of the file list format for this session. When the exit program is called, the value of this field is set to correspond to the FTP server configuration value that you specify with the LISTFMT parameter. Valid values are:

0

Use i5/OS file list format. This setting corresponds to the LISTFMT(*DFT) option of the CHGFTP command and is equivalent to specifying the SITE LISTFMT 0 subcommand to the FTP Server.

1

Use the UNIX file list format. This setting corresponds to the LISTFMT(*UNIX) option of the CHGFTP command and is equivalent to specifying the SITE LISTFMT 1 subcommand to the FTP server.

Control connection security mechanism

Identifies the security mechanism used on to control connection for this FTP session. Valid values are:

0

The control connection is not secured.

1

The control connection is secured using Secure Sockets Layer (SSL); the mechanism specified by the FTP client on the AUTH subcommand is TLS-P or SSL.

2

The control connection is secured using SSL; the mechanism specified by the client on the AUTH subcommand is TLS-C or TLS.

Notes:

- This field is input only to the exit program. Changes made by the exit program are ignored.
- For sessions connecting to the secure FTP port, the value is set to 1. Connections to the secure FTP port act as if an implicit AUTH SSL subcommand has been sent to the FTP server.

Data connection encryption option

Specifies whether FTP data connections for this FTP session are to be encrypted. Valid values are:

-1

Encryption of FTP data connections is not allowed for this FTP session.

0

Encryption of FTP data connections is allowed (but not required) for this FTP session.

1

Encryption of FTP data connections is required for this FTP session.

Notes:

- If the control connection security mechanism value is 1, setting the data connection encryption option to -1 will require additional FTP subcommands from the client to successfully transfer data. (The TLS-P or SSL security mechanism encrypts data connections by default.)
- If the control connection security mechanism value is 2, setting the data connection encryption option to 1 will require additional FTP subcommands from the client to successfully transfer data. (The TLS-C or TLS security mechanism does not encrypt data connections by default.)

Control connection ciphersuite

Identifies the SSL ciphersuite used to encrypt on the control connection for this FTP session. Ciphersuite values are defined in the Secure Sockets Layer (SSL) APIs.

Notes:

- This field is input only to the exit program. Changes made by the exit program are ignored.
- This value is valid only when the control connection security mechanism value is 1 or 2.

Data connection ciphersuite

Identifies the SSL ciphersuite used to encrypt data on data connection for this FTP session. When the exit program is called, this value is set to 0, which means to allow the secure sockets layer support negotiate the ciphersuite to be used. If the exit program changes this field, a valid ciphersuite value must be specified. Ciphersuite values are defined in the Secure Sockets Layer (SSL) APIs.

Notes:

- This field ignored if the control connection security mechanism is 0 or the data connection encryption option is -1.
- Setting this field to a value other than 0 or the value specified in the control connection ciphersuite field might result in failure to perform an SSL handshake between the FTP server and the FTP client, because the specified ciphersuite might not be supported by the FTP client.

Related reference

[Secure Sockets Layer \(SSL\) APIs](#)

TCPL0300 exit point format

The exit point for File Transfer Protocol (FTP) Server Logon is QIBM_QTMF_SVR_LOGON. The exit point for Remote Execution Protocol (REXEC) Server Logon is QIBM_QTMX_SVR_LOGON. TCPL0300 is one of the interfaces that controls the parameter format for these exit points. This topic discusses the parameters of the TCPL0300 exit point format.

This is the required parameter group.

Parameter	Description	Input or output	Type and length
1	Application identifier	Input	Binary(4)
2	User identifier	Input	Char(*)
3	Length of user identifier	Input	Binary(4)
4	Authentication string	Input	Char(*)

Parameter	Description	Input or output	Type and length
5	Length of authentication string	Input	Binary(4)
6	CCSID of authentication string	Input	Binary(4)
7	Client IP address	Input	Char(*)
8	Length of client IP address	Input	Binary(4)
9	Allow logon	Output	Binary(4)
10	User profile	Output	Char(10)
11	Password	Output	Char(*)
12	Length of password	Output	Binary(4)
13	CCSID of password	Output	Binary(4)
14	Initial current library	Input/Output	Char(10)
15	Initial home directory	Output	Char(*)
16	Length of initial home directory	Input/Output	Binary(4)
17	CCSID of initial home directory	Input/Output	Binary(4)
18	Application-specific information	Input/Output	Char(*)
19	Length of application-specific information	Input	Binary(4)

Parameter descriptions

Application identifier

INPUT; BINARY(4) Identifies the application server from which the request is being made. The valid values are:

- 1**
FTP server program
- 2**
REXEC server program

User identifier

INPUT; CHAR(*) The user identification supplied by the client program.

For the FTP server, this parameter contains the data field from the USER subcommand.

Length of user identifier

INPUT; BINARY(4) The length (in bytes) of the user identifier string.

Authentication string

INPUT; CHAR(*) The string (such as a password) supplied by the client program.

For the FTP server, this parameter contains the data field from the PASS (password) subcommand (unless the user is authenticated by a client certificate, in which case the client certificate is provided for this parameter).

Length of authentication string

INPUT; BINARY(4) The length (in bytes) of the authentication string.

CCSID of authentication string

INPUT; BINARY(4) The CCSID of the authentication string parameter. For the FTP server: When the user is authenticated by a client certificate, this parameter is set to -2.

Client IP address

INPUT; CHAR(*) The Internet Protocol (IP) address from which the session originates. This string is in dotted-decimal format, left-aligned.

Length of client IP address

INPUT; BINARY(4) Indicates the length (in bytes) of the client IP address.

Allow logon

OUTPUT; BINARY(4) Indicates whether the logon operation should be accepted or rejected, and how password authentication is performed. The valid values are:

0

Reject the logon operation. Ignores all other output parameters.

1

Continue the logon operation with the specified user identifier and authentication string. The user identifier is the user profile, and the authentication string is the password. The current library and working directory is based on the settings of those output parameters. The application ignores the user profile and password output parameters.

Note: For the logon to succeed, the authentication string must match the user profile-specified password.

2

Continue the logon operation. Override the user profile and password with the returned values in the output parameters of this exit program. The application initializes the current library and working directory based on the settings of those output parameters.

Note: For the logon to succeed, the password output parameter must match the user profile-specified password.

Attention! IBM strongly recommends that you **never** code passwords directly in an exit program. Encryption, for example, allows algorithmic password determination.

3

Accept the logon operation. Override the user profile with the profile returned in the user profile output parameter of this exit program. The program initializes the current library and working directory based on the settings of the output parameters. It ignores the password output parameter.

Note: If the system is running at a security level of 20 or higher, specifying this value overrides normal i5/OS password processing. This is the only password authentication.

User profile

OUTPUT; CHAR(10) The user profile to use for this session. When required, this parameter must be left-aligned and padded with blanks.

Password

OUTPUT; CHAR(*) The password to use for this session. When required, the Length of password and CCSID of password parameters must also be specified, and this parameter must be left-justified. When the QPWDLVL system value is set to 0 or 1, up to 10 characters can be specified; when the QPWDLVL system value is set to 2 or 3, up to 128 characters can be specified.

Length of password

OUTPUT; BINARY(4) The length (in bytes) of the password. When required, the valid range is 1 to 512 bytes.

CCSID of password

OUTPUT; BINARY(4) The CCSID of the password. This parameter must be set by the exit program when the password parameter is specified. The valid values are:

0

The CCSID of the job is used to determine the CCSID of the data to be converted. If the job CCSID is 65535, the CCSID from the default CCSID (DFTCCSID) job attribute is used.

1-65533

A valid CCSID in this range.

Initial current library

OUTPUT; CHAR(10) The initial current library to use for this session. When required, this parameter must be left-aligned and padded with blanks. This parameter is set to the following special value when the exit program is called:*CURLIB- Use the current library that the user profile specifies.

Initial home directory

OUTPUT; CHAR(*) The initial setting of the home directory to use for this session. When specified, this parameter must be a valid absolute path name, and the length of initial home directory and CCSID of initial home directory parameters set to the proper values.

Length of initial home directory

INPUT/OUTPUT; BINARY(4) The length of the initial home directory parameter returned by the exit program. This parameter initializes at zero when the application calls the exit program. If the exit program does not change the value of the parameter, the home directory is initialized to the home directory that the user's profile specifies.

CCSID of initial home directory

OUTPUT; BINARY(4) The CCSID of the initial home directory. This parameter must be set by the exit program when the initial home directory is specified. The valid values are:

0

The CCSID of the job is used to determine the CCSID of the data to be converted. If the job CCSID is 65535, the CCSID from the default CCSID (DFTCCSID) job attribute is used.

1-65533

A valid CCSID in this range.

Application-specific information

INPUT/OUTPUT; CHAR(*) Information that is used to communicate application-specific logon settings. For the correct format, see [“Format of application-specific information parameter” on page 125.](#)

Length of application-specific information

INPUT; BINARY(4) The length (in bytes) of the application-specific information.

Related tasks

[Configuring FTP servers for graphical FTP clients and Web tools](#)

File Transfer Protocol (FTP) servers on the IBM i operating system support graphical FTP clients, Web browsers, and other Web tools. Because most graphical FTP clients use the UNIX-style format as their list format and path file as their file name format, you need to configure your FTP server to support these formats.

Related reference

[TCPL0100 exit point format](#)

The exit point for File Transfer Protocol (FTP) Server Logon is QIBM_QTMF_SVR_LOGON. The exit point for Remote Execution Protocol (REXEC) Server Logon is QIBM_QTMX_SVR_LOGON. TCPL0100 is one of the interfaces that controls the parameter format for these exit points. This topic discusses the parameters of the TCPL0100 exit point format.

Removing exit programs

When you no longer need an exit program, you can remove it from the Work with Exit Program display.

To remove an installed exit program, follow these steps:

1. Enter WRKREGINF at a command line.
2. Page down to an FTP Server Logon exit point:

```
QIBM_QTMF_SERVER_REQ VLRQ0100
```

```
QIBM_QTMF_SVR_LOGON TCPL0100
QIBM_QTMF_SVR_LOGON TCPL0200
QIBM_QTMF_SVR_LOGON TCPL0300
```

3. Enter 8 in the Opt field to the left of the exit point entry and press Enter.
4. At the Work with Exit Program display, enter a 4 (Remove).
5. Enter the name of the exit program in **Exit Program** field.
6. Enter the name of the library that contains the exit program in the Library field.
7. Press Enter.
8. After you finish removing exit points, stop and restart the FTP server.

Related concepts

Managing access using File Transfer Protocol exit programs

You can provide additional security by adding FTP exit programs to the File Transfer Protocol (FTP) server and client exit points so that you can further restrict FTP access to your system.

Related tasks

Installing and registering exit programs

You can create a library to contain your exit programs and their log files, compile the programs, and register them for use by the File Transfer Protocol (FTP) server.

Starting and stopping the File Transfer Protocol server

You can start and stop the File Transfer Protocol (FTP) server by using System i Navigator.

Data transfer methods

Before you begin to transfer files, you must choose the appropriate file transfer type. You can use the default type, ASCII, or specify a different type such as EBCDIC or BINARY.

ASCII is the Internet standard for character encoding. EBCDIC is the standard for the IBM i operating system. Select the appropriate type according to the following descriptions:

- Use ASCII for transfers of files that only contain text ("text-only" files).
- Use EBCDIC to transfer EBCDIC data between systems that both support EBCDIC. This will avoid the need to convert data between EBCDIC and ASCII on both systems.
- Use BINARY for transfers of nontext files, such as binary numeric data, graphics files, and IBM i save files.

After you have chosen a file transfer format, you are ready to Transfer a file with FTP.

Related tasks

Transferring files with File Transfer Protocol

You can send and receive files with File Transfer Protocol (FTP).

Related reference

ASCII (Change File Type to ASCII)

The ASCII IBM i FTP client subcommand sets the file transfer type to ASCII format.

EBCDIC (Change File Type to EBCDIC)

The EBCDIC IBM i FTP client subcommand sets the file transfer type to EBCDIC format. The EBCDIC transfer type is useful when you transfer files to or from another EBCDIC system, because it avoids the need to convert between ASCII and EBCDIC on both systems.

BINARY (Set Transfer Type to Image)

The BINARY IBM i FTP client subcommand sets the file transfer type to BINARY format.

Transferring files that contain packed decimal data between IBM i platforms

The transfer of packed decimal or zoned decimal data is supported between IBM i platforms. To complete such a transfer, you need to use either a transfer type of TYPE I (BINARY) or TYPE E (EBCDIC) with a transmission mode of BLOCK.

The BINARY transfer type and the EBCDIC transfer type send the data as is without any conversion. The results of any other transfer type are unpredictable.

When transferring packed or zoned data in an externally-described QSYS.LIB file, the target file should be created in advance in the same manner as the source file. This restriction applies to data containing any special numeric format or when keyed access is required.

When transferring data with a transfer type of binary, the record length of the target file must be the same as the record length of the source file.

Before packed decimal or zoned decimal data can be transferred to or from other system architectures (such as S/390® or UNIX), you must convert the data to printable form.

Transferring *SAVF files

Because *SAVF files must be sent as images, you must issue FTP BINARY subcommand before transferring these types of files.

When transferring a *SAVF file using name format 0, the save file on the receiving system must be created in advance. It is suggested that files are created in advance in other situations as well for reasons of performance and integrity.

The transfer of a save file can only be made usable if the sending and receiving servers are both on IBM i platforms because it is a file format specific to the IBM i operating system. However, a save file can be sent to a system other than IBM i platform and stored there for backup purposes. The save file can be transferred later to the IBM i platform with FTP.

Example: Transferring a *SAVF file from virtual machine to a IBM i platform

The following example shows how to transfer a *SAVF file from a virtual machine to a IBM i platform for both NAMEFMT 0 and 1.

The FTP session has already been initiated, the BINARY subcommand has been issued, and NAMEFMT 0 has been specified.

First, transfer the file P162484 SAVF310L from the virtual machine. A disk to the IBM i platform. Virtual machine FTP requires that you insert a period between its file name and file type. Give it the file name P162484 in library P162484 on the IBM i platform, and specify REPLACE as it has been created in advance even if it has not been used before. You will recall that precreation is mandatory with NAMEFMT 0.

Change the NAMEFMT to 1, and repeat the file transfer using the new name format. Once again, specify REPLACE, because the file exists from the previous step.

Notes:

- If you had not already created the file on the IBM i platform before performing the transfer operation with NAMEFMT 0, the transfer would have appeared to have completed satisfactorily. However, on inspection of the file on the IBM i platform, you would see that a physical file (*PF) was created and not a save file (*SAVF).
- Some preprocessing might be necessary on the virtual machine system depending on how the *SAVF file was sent to the virtual machine:
 - If FTP was used to send the *SAVF file to a virtual machine, you can just issue a GET subcommand to transfer it back to the IBM i platform.
 - If the Send Network File (SNDNETF) command was used to send the *SAVF file to a virtual machine, it is first necessary to convert the file on the virtual machine system from a variable record format (RECFM) to a fixed RECFM of fixed before using FTP to transfer it back to the IBM i platform. To do this, use the COPYFILE command on the virtual machine. For example:

```
COPYFILE P162484 SAVF310L A = = = (RECFM F REPLACE
```



```

|
> GET P162484.SAVF310L P162484/P162484 (REPLACE
200 Port request OK.
150 Sending file 'P162484.SAVF310L'
250 Transfer completed successfully.
384912 bytes transferred in 3.625 seconds. Transfer rate106.183 KB/sec

> namefmt 1
202 SITE not necessary; you may proceed
Client NAMEFMT is 1.
> GET P162484.SAVF310L/QSYS.LIB/P162484.LIB/P162484.savf(REPLACE
200 Port request OK.
150 Sending file 'P162484.SAVF310L'
250 Transfer completed successfully.
384912 bytes transferred in 3.569 seconds. Transfer rate107.839 KB/sec
Enter an FTP subcommand.
===>

```

Figure 9. Transferring a *SAVF from virtual machine to a IBM i platform using NAMEFMT 0 and NAMEFMT 1

Transferring QDLS documents

When a QDLS document is transferred, the QDLS directory entry attribute that indicates the default type of document is set to the document type PCFILE on the receiving system for all document types except revisable-form text (RFT) documents.

RFT documents are defaulted to the document type RFTDCA. RFTDCA type documents can be viewed and edited using the WRKDOC CL command. PCFILE type documents cannot be viewed or edited using the WRKDOC CL command.

Transferring root, QOpenSys, QDLS, and QOPT files

You must use stream mode (MODE S) and file structure (STRUCT F) when transferring files in the root, QOpenSys, QDLS, and QOPT file systems.

Root, QOpenSys, QDLS, and QOPT files can exist in any valid code page.

Data conversion and CCSID assignments vary depending on the transfer TYPE used. You might want to refer to the CCSID code page tagging for IBM i files.

When appending data to an existing file, the CCSID tag of that file is not changed. When appending data to an existing file using TYPE A, the data is converted to the code page of that file.

Related reference

[CCSID code page tagging for IBM i files](#)

New files created by File Transfer Protocol (FTP) on the IBM i operating system are tagged with a coded character set identifier (CCSID) or the code page of that CCSID. The CCSID code page tagging identifies the character data in the files.

Transferring files using QfileSvr.400

The QFileSvr.400 file system provides access to other file systems on a remote system.

The transfer of files in the "root", QOpenSys, QDLS, and QOPT file systems is supported. The transfer of files in the QSYS.LIB file systems is not supported.

You must use stream mode (MODE S) and file structure (STRUCT F). For example, in [Figure 10 on page 134](#), FILE.ABC is transferred to and from two different files systems on system AS012 using the QFileSvr.400 file system on system AS009.

After connecting to system AS009, the FTP client subcommands shown in [Figure 11 on page 134](#) perform the data transfers.

Note: The user ID and password on systems AS009 and AS012 must be the same.

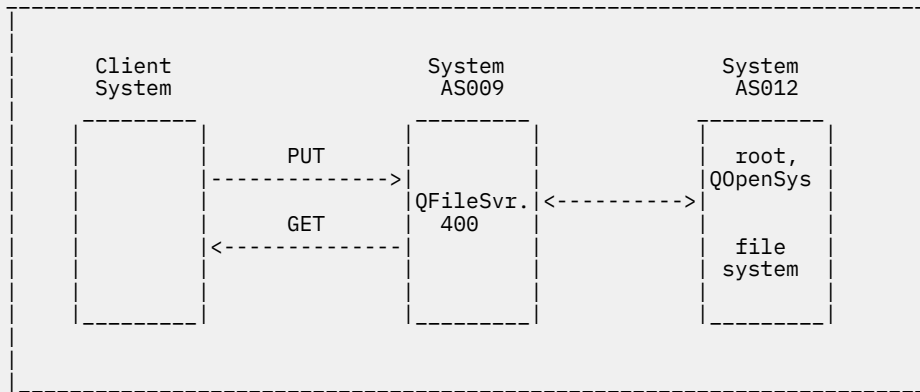


Figure 10. QFileSvr.400 file system example

```

NAMEFMT 1
LCD /CLIENTDIR1
CD /QFileSvr.400/AS012/FLSDIR
PUT FILE.ABC
GET FILE.ABC /CLIENTDIR2/FILE.ABC
CD /QFileSvr.400/AS012/QOpenSys/FLSDIR
PUT FILE.ABC
GET FILE.ABC /CLIENTDIR2/FILE.ABC (REPLACE
SYSCMD RMVLNK '/CLIENTDIR2/FILE.ABC'
DELETE /QFileSvr.400/AS012/FLSDIR/FILE.ABC
DELETE /QFileSvr.400/AS012/QOpenSys/FLSDIR/FILE.ABC
QUIT
  
```

Figure 11. Subcommands to transfer files using QFileSvr.400

Transferring QSYS.LIB files

This topic discusses the FTP operations in the stream transfer mode and the image transfer mode for the QSYS.LIB file system.

Table 3 on page 135 and Table 4 on page 136 summarize FTP operations in stream transfer mode and in image transfer type for the QSYS.LIB file system. Keep the following points in mind when using these tables:

Compatible record length and file size

When you send data to a file that already exists, the record and file size of the receiving file must be compatible with the file being sent or a transfer error will occur. Both the record and file size of the receiving file must be greater than or equal to the source file record and file size. To determine if the existing file size is compatible, you need to consider the current number of records, the number of extensions allowed, and the maximum record size allowed. You can view this information by entering the Display File Description (DSPFD) command.

Automatic file creation on the IBM i operating system

When receiving a file, the system automatically creates a physical file, if one does not already exist. However, it is suggested that you create the file in advance on the system.

Data type

When transferring data using TYPE I, the data is not converted. If the file does not exist, it is tagged with CCSID 65535 when it is created.

Note: File pre-creation is advised when using the MGET and MPUT subcommands to transfer files with multiple members. When a file is not created in advance, FTP creates a file with a maximum record length equal to the longest record of the first member processed. If the record length of any other file member is longer, a data truncation error will occur when transferring that member. Pre-creating a file with a record size to accommodate all members will prevent this error.

<i>Table 3. Stream transfer mode for QSYS.LIB file system</i>						
Library exists	File exists	Member exists	Replace selected	Compatible record length	Compatible file size	Result
Yes	Yes	Yes	Yes	Yes	Yes	Data written to member.
Yes	Yes	Yes	No			Transfer rejected and message sent.
Yes	Yes	No		No	Yes	File transfer completed, records truncated, and message returned.
Yes	Yes	No	Yes	No	Yes	File transfer completed, records truncated, and message returned.
Yes	Yes	No		Yes	Yes	Member created and data written to it.
Yes	Yes	No	No		No	Transfer rejected and message sent.

Table 3. Stream transfer mode for QSYS.LIB file system (continued)

Library exists	File exists	Member exists	Replace selected	Compatible record length	Compatible file size	Result
Yes	No					File created with record length equal to the maximum record length of the incoming file. Member created and data written to member.
No						Transfer rejected and message sent. Use the Create Library (CRTLIB) command to create a library on the remote system.

Table 4. Image transfer type for QSYS.LIB file system

Library exists	File exists	Member exists	Replace selected	Result
Yes	Yes	Yes	Yes	Data written to member.
Yes	Yes	Yes	No	Transfer rejected and message sent.
Yes	Yes	No		Member created and data
Yes	No			
No				

Related reference

[Considerations for creating files before transferring them into QSYS.LIB](#)

It is suggested that you create any files before transferring them into the QSYS.LIB file system. This is the best method of ensuring that your data is transferred reliably and effectively with optimal performance and integrity.

Receiving text files to QSYS.LIB

The QSYS.LIB file system internally supports a record structure. Therefore, the IBM i File Transfer Protocol (FTP) converts files received on the IBM i platform into a record structure and converts files sent from the IBM i platform into the FTP file structure.

Text files received on the IBM i platform by FTP are converted into a record structure in the following manner:

- When FTP receives a file and that file already exists on the system, the record length of the existing file is used.
- When FTP creates a new file on the system, it uses the length (excluding trailing spaces) of the longest line or record in the file as the record length of the file.

Text files sent from the IBM i platform by FTP are converted into a file structure by removing the trailing blanks from each line or record and sending the truncated record.

Considerations for creating files before transferring them into QSYS.LIB

It is suggested that you create any files before transferring them into the QSYS.LIB file system. This is the best method of ensuring that your data is transferred reliably and effectively with optimal performance and integrity.

Be sure to allocate enough records to accommodate the entire file. On the IBM i operating system, use the SIZE parameter of the Create Physical File (CRTPF) command.

Ensure that the RCDLEN parameter of the Create Physical File (CRTPF) command is adequate to accommodate the maximum record length expected.

Note: You can create files on the FTP server system using the QUOTE subcommand. You can create files on the FTP client system using the SYSCMD subcommand.

Related reference

Transferring QSYS.LIB files

This topic discusses the FTP operations in the stream transfer mode and the image transfer mode for the QSYS.LIB file system.

Coded character set identifier conversions

The IBM i operating system uses coded character set identifier (CCSID) information to interpret the input data and to provide the output data in the correct format for display. The input might be American Standard Code for Information Interchange (ASCII) or Extended Binary Coded Decimal Interchange Code (EBCDIC).

The following topics provide detailed information about CCSID conversions.

Specifying mapping tables

For File Transfer Protocol (FTP) client, the ASCII mapping tables are specified in the FTP command. For FTP server this is done in the Change FTP Attributes (CHGFTP) command.

To specify the FTP client mapping tables:

1. Enter the command FTP.
2. Press F4. The **Start TCP/IP FTP** display is shown.
3. Press F10. The prompts for outgoing and incoming ASCII/EBCDIC tables are displayed.

```

Start TCP/IP File Transfer (FTP)

Type choices, press Enter.

Remote system . . . . .

Internet address . . . . .
Coded character set identifier *DFT 1-65533, *DFT

Additional Parameters

Outgoing EBCDIC/ASCII table . . *CCSID Name, *CCSID,*DFT
Library . . . . . Name, *LIBL,*CURLIB
Incoming ASCII/EBCDIC table . . *CCSID Name, *CCSID,*DFT
Library . . . . . Name, *LIBL,*CURLIB

Bottom
F3=Exit F4=Prompt F5=Refresh F12=Cancel F13=How touse this display
F24=More keys

```

Figure 12. Specifying ASCII mapping tables with the *CCSID value

Specify the CCSID (and hence the mapping tables) to be used for the FTP client. When the *DFT value is not changed, the CCSID value 00819 (ISO 8859-1 8 bit ASCII) is used. You might also specify a specific CCSID for both inbound and outbound transfers. The use of CCSIDs is discussed in National Language Support considerations for FTP.

Notes:

- Double-byte character set (DBCS) CCSID values are not permitted for the CCSID parameter on the CHGFTP command. The DBCS CCSID values can be specified using the TYPE (Specify File Transfer Type) subcommand.
- IBM includes mapping support in FTP to ensure compatibility with releases before V3R1. Use of mapping tables for incoming TYPE A file transfers results in the loss of CCSID tagging if the target file must be created. IBM strongly recommends that you use CCSID support for normal operations.

Related reference

National language support considerations for FTP

This topic provides several points that you need to be aware of when using File Transfer Protocol (FTP) in an environment with different primary languages.

TYPE (Specify File Transfer Type)

The TYPE IBM i FTP client subcommand specifies the file-transfer type, or the representation in which the transfer is to take place.

CCSID code page tagging for IBM i files

New files created by File Transfer Protocol (FTP) on the IBM i operating system are tagged with a coded character set identifier (CCSID) or the code page of that CCSID. The CCSID code page tagging identifies the character data in the files.

When replacing or appending data to an existing file, the tag of the file is not changed.

The following table summarizes how FTP assigns these values for different file systems and transfer types.

Table 5. CCSID code page tagging for IBM i files

Receiving file system	Transfer type A (ASCII)	Transfer transfer type C ('ccsid')	Transfer type E (EBCDIC)	Transfer type I (Image/Binary)
QSYS.LIB	CCSID specified by the EBCDIC coded character set identifier for new database files (CRTCCSID) setting.	'ccsid' if EBCDIC CCSID. If ccid is ASCII, then related default EBCDIC CCSID.	65535	65535
"root", QOpenSys, QDLS, QOPT	Default ASCII CCSID.	'ccsid' value specified in TYPE C ccid# subcommand.	Job CCSID if it is not 65535. If Job CCSID is 65535, assign Default Job CCSID.	Default ASCII CCSID.
<p>Note: The default ASCII CCSID is defined when the FTP job is started: For the client, the CCSID parameter of the STRTCPFTP (and FTP) command. For the server, the CCSID parameter of the FTP Configuration attributes which can be changed using the CHGFTP command. QFileSvr.400 file assignments depend on the file system receiving the file.</p>				

Related reference

[Transferring root, QOpenSys, QDLS, and QOPT files](#)

You must use stream mode (MODE S) and file structure (STRUCT F) when transferring files in the root, QOpenSys, QDLS, and QOPT file systems.

National language support considerations for FTP

This topic provides several points that you need to be aware of when using File Transfer Protocol (FTP) in an environment with different primary languages.

- When data is transferred using TYPE E (or EBCDIC), the data is stored as is and therefore will be in the EBCDIC code page of the file that it came from. This can result in the stored file being tagged with an inappropriate CCSID value when the primary language of the two systems is different.

For example, when data in code page 237 is sent using TYPE E to the QSYS.LIB file system on a machine where the file does not exist, the data is stored as is in a new file tagged with CCSID 65535. If the receiving file already exists, then the data will be received as is and tagged with the existing file CCSID, which cannot be 237.

To avoid incorrect CCSID tagging, you can use the TYPE C CCSID subcommand (for example, TYPE C 237) to specify the CCSID of the data being transferred. When a CCSID is specified on a transfer and the data is written to an existing file, the data is converted to the CCSID of the existing file. If no target file exists before the transfer, a file is created and tagged with the specified CCSID.

In the preceding example, if the target file does not exist, a file with a CCSID of 237 is created on the receiving system. When the target file already exists, the data is converted from CCSID 237 to the CCSID of the target file.

- When starting the FTP client, message TCP3C14: Unable to convert data from CCSID &1 to CCSID &2, may be displayed. This occurs if no character conversion is available between the EBCDIC CCSID specified by your job and the ASCII CCSID specified for the this FTP session.

You can change the ASCII CCSID by specifying a value for the coded character set identifier parameter of the STRTCPFTP CL command. CCSID 850, which contains the IBM Personal Computer Latin-1 coded character set, is an ASCII CCSID for which character conversions are available to all valid job CCSID values.

- When using FTP in ASCII mode between two EBCDIC systems, the data on the system sending the file is converted from its stored EBCDIC code page to ASCII, and then from ASCII to the EBCDIC code page

of the receiving system. Typically this does not present a problem because the 7-bit ASCII code page used by the two systems is the same unless the EBCDIC characters on the sending system are not defined in the ASCII code page. Also, some characters in the ASCII code page might be mapped differently between the two different EBCDIC code pages. This might occur if some of the ASCII characters are variant (the character occupies a different hexadecimal code point in an EBCDIC code page). The variant character might be interpreted differently on the receiving system if the EBCDIC code page is different from that of the system sending the file.

Related reference

Specifying mapping tables

For File Transfer Protocol (FTP) client, the ASCII mapping tables are specified in the FTP command. For FTP server this is done in the Change FTP Attributes (CHGFTPA) command.

File systems and naming conventions

The File Transfer Protocol (FTP) server arranges the information units of a file system in a multiple-level tree-like structure.

The IBM i file systems that you can use with FTP vary depending on the release level of the operating system. File systems on the IBM i operating system can use different terms for data and the hierarchical grouping of data.

Naming conventions

Each IBM i file system has its own set of rules for naming files. The format you use to name any file must adhere to the naming conventions of the file system in which it resides. Formats and examples of file names for IBM i file systems that are FTP enabled are described in the Integrated file system topic collection. The system can provide naming information for files on any operating systems when you use the QUOTE HELP subcommand.

FTP server NAMEFMT

When an FTP server session is started, NAMEFMT is set to a value of 0. You can change the NAMEFMT value by using the SITE subcommand.

The FTP server automatically switches from the default of NAMEFMT 0 to NAMEFMT 1 when the 'first' file or pathname parameter received in a subcommand either:

- Starts with a slash (/) or a tilde (~) character
- or
- Is blank (except for the LIST and NLST subcommands)

Any subsequent server subcommands with a file or path name parameter will not affect the NAMEFMT value. In addition to changing the NAMEFMT, the FTP server reply for the subcommand will include a statement saying that the NAMEFMT value has been changed.

For example, the FTP server NAMEFMT value will be changed to "1" if the first server subcommand with a file or path name is:

```
CWD /DIR1/DIR2A
```

The FTP server reply will be:

```
250-NAMEFMT set to 1.  
250 Current directory changed to /DIR1/DIR2A.
```

Note: This capability enables the typical Web browser, which requires NAMEFMT 1, to interact with IBM i FTP servers without issuing a SITE NAMEFMT 1 subcommand.

Related concepts

[Integrated file system](#)

[Files and file systems](#)

Related reference

[NAMEFMT \(Select File Naming Format\)](#)

The NAMEFMT IBM i FTP client subcommand selects which file name format to use on the local system and the remote system.

[QUOTE \(Send a Subcommand to an FTP Server\)](#)

The QUOTE IBM i FTP client subcommand sends a subcommand to an FTP server.

IBM i file systems that are supported by File Transfer Protocol

The file systems you can use with File Transfer Protocol (FTP) vary depending on the release level of the operating system.

QSYS.LIB Library file system - libraries, files, members

FTP supports the transfer of save files and members in physical files, logical files, DDM files, and source physical files. For QSYS.LIB file system physical files, the data transferred is a member of a file which resides in a library.

QDLS Document library services - folders and documents

For the Document Library Services (QDLS) file system the data transferred is a document. QDLS documents reside in directories called folders.

"root"

The / file system. This file system takes full advantage of the stream file support and hierarchical directory structure of the integrated file system. It has the characteristics of the DOS and OS/2 file systems.

QOpenSys

The open systems file system. This file system is compatible with UNIX-based open system standards, such as POSIX and XPG. Like the root file system, it takes advantage of stream file and directory support that are provided by the integrated file system. It supports case-sensitive names.

QOPT

The QOPT optical file system. This file system provides access to stream data that is stored on optical media.

QFileSvr.400

The IBM i file server file system. This file system provides access to other file systems that reside on remote systems. With FTP you do not have access to QSY.LIB, QDLS, and QOPT that uses QFileSvr.400.

Related concepts

[Integrated file system](#)

Status messages from the File Transfer Protocol server

When you enter subcommands during a File Transfer Protocol (FTP) client session, status messages return to your display in a 3-digit code: xyz. Each digit has certain values that indicate a different status.

The first digit (x) tells you whether the response is good, bad, or incomplete. There are five values for the first digit:

- 1yz = Good. The requested action is being initiated; another reply should follow.
- 2yz = Good. The requested action was successfully completed; a new request may be initiated.
- 3yz = Incomplete. The subcommand was accepted, but the requested action is being held pending receipt of more information.
- 4yz = Incomplete. The FTP server did not accept the subcommand. The requested action did not take place. The error is temporary and you can request the action again.
- 5yz = Bad. The subcommand was not accepted, and the requested action did not take place.

The second digit (y) tells you the functional category of the response.

- x0z=Syntax. Refers to syntax errors, commands that aren't appropriate for what you're trying to do, and unnecessary commands.

- x1z=Information. Refers to requests for information, such as status or help.
- x2z=Connections. Refers to the control or data connections.
- x3z=Authentication. Refers to the login process.
- x5z=File system. Refers to the status of the FTP server in relation to the file transfer request.

The third digit (z) tells you a finer level of detail about the functional category.

The following table describes the common reply codes and what they indicate. The message text might vary for different systems.

Code	Meaning
110	Restart the marker reply
120	Service is ready in nnn minutes
125	Data connection is already open; transfer is starting
150	File starting OK; about to open the data connection
200	Command OK
202	Command was not implemented; it is not used on this system
211	System status, or system help reply
212	Directory status
213	File status
214	Help message
220	Service is ready for a new user
226	Closing the data connection; the requested file action was successful
230	User is logged in
250	Requested file action was okay; action is completed
257	Path name was created
331	Password is required
332	Account is required
425	Cannot open the data connection
426	Connection is closed; the transfer ended abnormally
450	Requested file action was not taken; file busy
451	Requested action ended abnormally; local error in processing
452	Requested action was not taken; insufficient storage exists in system
500	Syntax error; command was unrecognized
501	Syntax error in the parameters or arguments
502	Command was not implemented

Code	Meaning
503	Bad sequence of commands
504	Command was not implemented for that parameter
530	Logon attempt was rejected
532	Need an account for storing files
550	Requested action was not taken; the file was not found (or no access)
551	Requested action ended abnormally; the page type is unknown
552	Requested file action ended abnormally; storage allocation was exceeded
553	Requested action was not taken; the file name is not allowed

Related reference

File Transfer Protocol server subcommands

These subcommands represent communication between the File Transfer Protocol (FTP) client and the FTP server. This topic includes descriptions for IBM i CL-equivalent subcommands that are unique to the IBM i FTP server.

File Transfer Protocol client subcommands

You use File Transfer Protocol (FTP) client subcommands to establish a connection with a remote FTP server, navigate libraries and directories, create and delete files, and transfer files.

File Transfer Protocol server syntax conventions

Follow these syntax conventions when you use the File Transfer Protocol (FTP) server subcommands.

Uppercase Letters

You must enter letters in uppercase exactly as shown in the syntax definitions for subcommands. You can enter these letters in either uppercase or lowercase.

Lowercase Words or Hyphenated Terms

Lowercase words or hyphenated terms, such as remotefile and account-information, represent variables for which you must substitute specific information.

Brackets []

You can consider words, symbols, or phrases placed within brackets to be optional.

Left Parentheses (and Asterisks *

You must enter left parentheses and asterisks exactly as shown in the syntax definitions.

Braces { }

Braces indicate a group of parameters, values, or variables that you can repeat.

Ellipsis ...

Ellipses indicate that you can include zero or more repetitions of the preceding variable enclosed within brackets.

Vertical Bar |

A vertical bar between parameters or values indicates that you can specify one or the other, but not both, at one time. You can see the vertical bars placed within sets of brackets or braces.

File Transfer Protocol client syntax conventions

Follow these syntax conventions when you use the File Transfer Protocol (FTP) client subcommands.

Uppercase Letters

Letters printed in uppercase in the syntax definitions for client subcommands are the minimum number of letters that you must enter. You can enter FTP client subcommands in either uppercase or lowercase.

Lowercase Words or Hyphenated Terms

Lowercase words or hyphenated terms, like `remotefile` and `account-information`, represent variables that you must substitute specific information.

Brackets[]

You can consider words, symbols, or phrases placed within brackets to be optional.

Left Parentheses (and Asterisks *

You must enter left parentheses and asterisks exactly as they appear in the syntax definitions.

Braces { }

Braces indicate a group of parameters, values, or variables that you may repeat.

Ellipsis ...

Ellipses indicate that you can include zero or more repetitions of the preceding variable enclosed within brackets.

Vertical Bar |

A vertical bar between parameters or values indicates that you can specify one or the other, but not both, at one time. The vertical bars are within sets of brackets or braces.

Enclosing subcommand parameters

You can use either a single quotation mark (') or quotation marks (") to enclose parameters.

To enclose a single quotation mark within a parameter, you must enter it either as two consecutive single quotation marks (') in a parameter that is enclosed by a single quotation mark, or you must enter it as a single quotation mark in a parameter that is enclosed by quotation marks (").

Similarly, if a quotation mark (") is to be contained within a parameter, you must enter it in one of these ways:

- A quotation mark (") in a parameter that is enclosed by apostrophes.
- As two consecutive quotation marks ("" in a parameter that is enclosed by quotation marks.

You can use the apostrophe or quotation marks as follows:

1. If the apostrophe or quotation marks within the parameter are the same as the starting and ending delimiter, you must repeat the mark within the parameter. For example:

```
'ABCD'12345'  
  results in  ABCD'12345  
"ABCD"12345"  
  results in  ABCD"12345
```

2. If the starting and ending marks are not the same as the mark within the parameter, you do not repeat the mark. For example:

```
"ABCD'12345"  
  results in  ABCD'12345  
'ABCD"12345'  
  results in  ABCD"12345
```

3. If both the apostrophe and quotation marks are within the parameter, you must choose one mark symbol as the delimiter. For example:

```
"ABC'12"345" or 'ABC'12"345'  
  results in  ABC'12"345
```

Related reference

[GET \(Copy a File from a Remote System to the Local System\)](#)

The GET IBM i FTP client subcommand copies a file from the remote system to the local system.

PUT (Copy a File Member from the Local System to a File on a Remote System)

The PUT IBM i FTP client subcommand copies a local file member to the remote system.

File names for client-transfer subcommands

You can use default source and target file names for some subcommands; however, you must specify a file name for other subcommands.

Naming files for transfer

The FTP client subcommands that you use for transferring data can have a **localfile** parameter, a **remotefile** parameter, or both. You can use these parameters to name the data you want to transfer.

File names for client-transfer subcommands

You can use default source and target file names for some subcommands; however, you must specify a file name for other subcommands.

The FTP client provides a default file name if the target file name for the PUT, APPEND, and GET subcommands is omitted. Because you can specify source file names for the MPUT and MGET subcommands, the FTP server also generates target file names for MPUT and MGET. See the following Data Transfer Subcommands table for the syntax of these subcommands. The table column labeled *Target* is the parameter for which a default name is provided.

Subcommand	Source	Target	Other
APPEND	local filename	[server filename]	
PUT	local filename	[server filename]	
GET	server filename	[local file name]	[(Replace)]
MPUT	local filename		
MGET	server filename		[(Replace)]

PUT and APPEND subcommands

For the PUT and APPEND subcommands, the rules for forming default names are divided into two categories:

- If you use a IBM i platform, consider the following rules:
 - If the target file system is a library file system or a document library system, the default name complies with the naming rules for these systems, including their name format.
 - If the target file system is neither a library file system nor a document file system, the default name is one of the following names:
 - The default name is the name after the last slash in the source file name
 - The default name is the same as the source file name if there is no slash.
- If you use a system other than IBM i, consider the following rules:
 - If the source file is a library file system file, then the default name consists of the *file_name.member_name*. If there is no member name, the file name is the default name.
 - If the source file is a document library services file, the default name is the file name and the extension.
 - If the source file is neither a library file system nor a document library services file, the name after the last slash in the source name is the default name. If there is no slash, the default name is the same as the source name.

For IBM i platforms, the system generates the default name in these subcommands using the same rules as applied for the PUT subcommand.

GET and MGET subcommand

For systems other than IBM i platforms, it bases the default name for the GET and MGET subcommands on the part of the source name that follows the last slash. If there is no slash, the entire source name is the default name. Here are the rules for forming default names.

- If the client file system is the *library file system* (IBM i database), these rules apply:
 - If the remote file name contains a period (.), the characters preceding the period are truncated to 10 characters to form the local file name. The characters after the period are truncated to 10 characters to form the member name.
 - If the remote file name does not contain a period, both file and member names are set to the remote file name truncated to 10 characters to form the local file name.
 - If the name format is 1, the system adds the appropriate extensions to the file and member parts of the name.
- If the client file system is *document library services*, these rules apply:
 - If the remote name contains a period, the characters preceding the period are truncated to 8 characters. The characters after the period are truncated to 3 characters.
 - If the remote name does not contain a period, the name is truncated to 8 characters without an extension.
- For other file systems, the name after the last slash in the remote name is the default name.

Notes:

1. Save files do not have members, so default names for save files do not have a member part.
2. The system displays the default names when the DEBUG mode is on.

More details on syntax:

FTP client syntax conventions

Naming files for transfer

The FTP client subcommands that you use for transferring data can have a **localfile** or a **remotefile** parameter or both. You can use these parameters to name the data you want to transfer. The transfer subcommands are:

```
APPEND localfile [remotefile]
DELETE remotefile
GET remotefile [localfile]
MDELETE remotefiles
MGET remotefiles
MPUT localfiles
PUT localfile [remotefile]
```

The names for the localfile and remotefile parameters can be either partially qualified or fully qualified. A partially-qualified name includes the name of the data itself as well as one or more names in the hierarchical sequence above the data. A fully-qualified name includes all names in the hierarchical sequence above the data.

When the name is partially qualified, the current working directory identifies the file to be processed. You can set the working directory on the local client system with the LCD subcommand. You can set the working directory on the remote system with the CD subcommand.

The format of the localfile parameter names must conform to IBM i file naming rules. The remotefile parameter names must adhere to the file naming rules of the remote system.

More details on syntax:

- Enclosing subcommand parameters: You can use either a single quotation mark (') or quotation marks (") to enclose parameters.

- FTP client syntax conventions: FTP client subcommands make use of these syntax conventions.

Related tasks

Enclosing subcommand parameters

You can use either a single quotation mark (') or quotation marks (") to enclose parameters.

Related reference

APPEND (Append a Local File Member to a Remote File)

The APPEND IBM i FTP client subcommand adds a local file member, document, or other file system file to a remote file.

GET (Copy a File from a Remote System to the Local System)

The GET IBM i FTP client subcommand copies a file from the remote system to the local system.

PUT (Copy a File Member from the Local System to a File on a Remote System)

The PUT IBM i FTP client subcommand copies a local file member to the remote system.

MPUT (Send Multiple File Members from the Local System to a Remote System)

The MPUT IBM i FTP client subcommand copies multiple local files to the remote system.

MGET (Copy Multiple Files from a Remote System to the Local System)

The MGET IBM i FTP client subcommand copies multiple files from the remote system.

DEBUG (Change Client Time-Out Limit Values)

The DEBUG IBM i FTP client subcommand changes the client timeout limits when the default timeout values are not long enough for a data transfer to be completed successfully. You only need to change these values in situations where network traffic or other conditions cause transfer times to become quite large.

LCD (Change Working Library or Directory on Local System)

The LCD IBM i FTP client subcommand changes the working directory on the local system.

CD (Change Working Directory or Library)

The CD IBM i FTP client subcommand changes the working directory, library, or file group on the remote system.

DELETE (Delete a File on a Remote System)

The DELETE IBM i FTP client subcommand deletes a file or database file member on a remote system. The remote system might prompt you for authorization to delete a file. Use the ACCT (Send Account Information) subcommand to respond to that request.

MDELETE (Delete Multiple Files on a Remote System)

The MDELETE IBM i FTP client subcommand deletes multiple files on the FTP server.

Naming files for transfer

The FTP client subcommands that you use for transferring data can have a **localfile** parameter, a **remotefile** parameter, or both. You can use these parameters to name the data you want to transfer.

Naming files for transfer

The FTP client subcommands that you use for transferring data can have a **localfile** parameter, a **remotefile** parameter, or both. You can use these parameters to name the data you want to transfer.

The transfer subcommands are:

```
APPEND localfile [remotefile]
DELETE remotefile
GET remotefile [localfile]
MDELETE remotefiles
MGET remotefiles
MPUT localfiles
PUT localfile [remotefile]
```

The names for the localfile and remotefile parameters can be either partially qualified or fully qualified. A partially-qualified name includes the name of the data itself as well as one or more names in the

hierarchical sequence above the data. A fully-qualified name includes all names in the hierarchical sequence above the data.

When the name is partially qualified, the current working directory identifies the file to be processed. You can set the working directory on the local client system with the LCD subcommand. You can set the working directory on the remote server system with the CD subcommand.

The format of the localfile parameter names must conform to IBM i file naming rules. The remotefile parameter names must adhere to the file naming rules of the remote system.

More details on syntax:

- Enclosing subcommand parameters: You can use either a single quotation mark (') or quotation marks (") to enclose parameters.
- Default file names for client transfer subcommands: [Link to this information about default file names for client transfer subcommands.](#)
- FTP client syntax conventions: FTP client subcommands make use of these syntax conventions.

Related tasks

Enclosing subcommand parameters

You can use either a single quotation mark (') or quotation marks (") to enclose parameters.

Related reference

APPEND (Append a Local File Member to a Remote File)

The APPEND IBM i FTP client subcommand adds a local file member, document, or other file system file to a remote file.

DELETE (Delete a File on a Remote System)

The DELETE IBM i FTP client subcommand deletes a file or database file member on a remote system. The remote system might prompt you for authorization to delete a file. Use the ACCT (Send Account Information) subcommand to respond to that request.

GET (Copy a File from a Remote System to the Local System)

The GET IBM i FTP client subcommand copies a file from the remote system to the local system.

MDELETE (Delete Multiple Files on a Remote System)

The MDELETE IBM i FTP client subcommand deletes multiple files on the FTP server.

MGET (Copy Multiple Files from a Remote System to the Local System)

The MGET IBM i FTP client subcommand copies multiple files from the remote system.

MPUT (Send Multiple File Members from the Local System to a Remote System)

The MPUT IBM i FTP client subcommand copies multiple local files to the remote system.

PUT (Copy a File Member from the Local System to a File on a Remote System)

The PUT IBM i FTP client subcommand copies a local file member to the remote system.

LCD (Change Working Library or Directory on Local System)

The LCD IBM i FTP client subcommand changes the working directory on the local system.

CD (Change Working Directory or Library)

The CD IBM i FTP client subcommand changes the working directory, library, or file group on the remote system.

File names for client-transfer subcommands

You can use default source and target file names for some subcommands; however, you must specify a file name for other subcommands.

Troubleshooting File Transfer Protocol

This topic provides basic troubleshooting techniques for problems that occur with the File Transfer Protocol (FTP) server or FTP client.

Determining problems with File Transfer Protocol

If you detect a problem when using File Transfer Protocol (FTP), use the flow chart and cause lists in this topic to identify the cause of the problem.

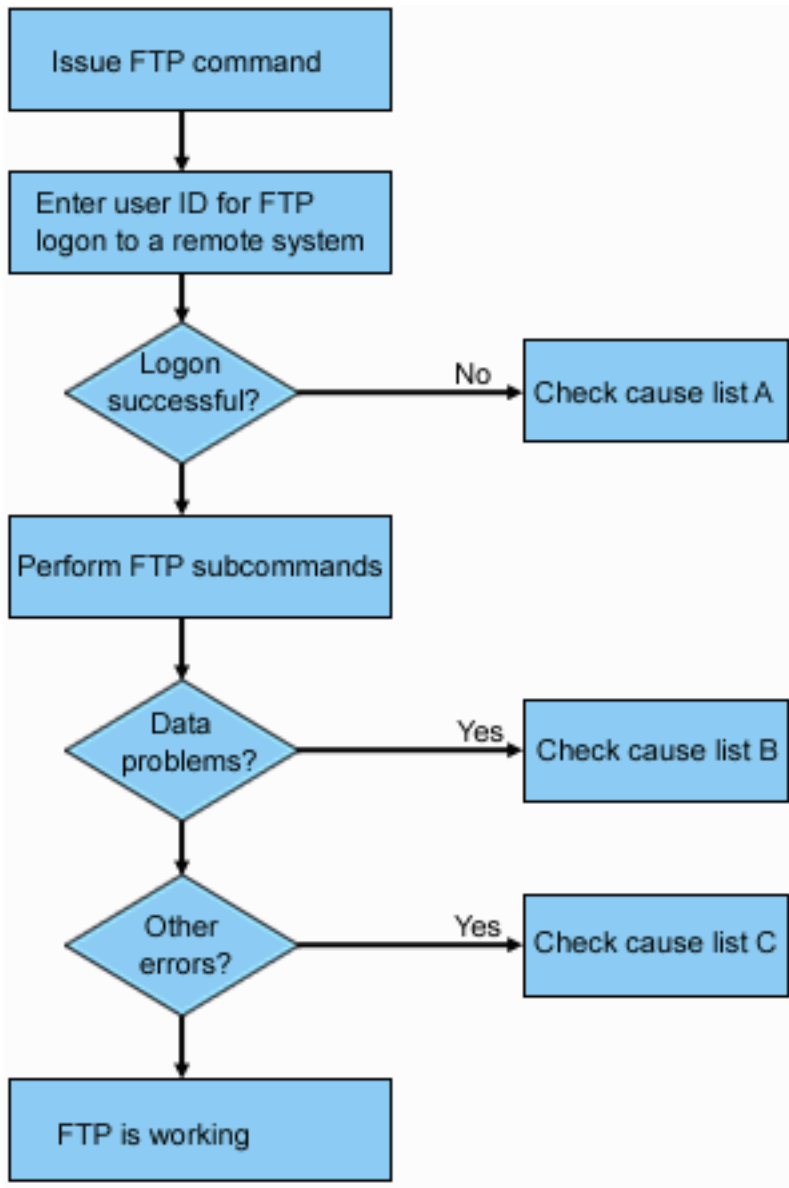


Figure 13. FTP problem analysis

Cause list A

1. Is there a long delay between connecting to the IBM i FTP server and receiving a prompt for a user ID? If so, check the configuration of the Domain Name System (DNS) on your system. The FTP server

performs a DNS query as soon as a new connection is received. DNS problems can cause the system to hang for several minutes before a response is received.

2. Check to see if an exit program has been added to the FTP Server Logon exit point. If yes, then check if the logon that is unsuccessful is allowed by the exit program.
3. Check to see if the remote logon requires a password if a password was requested. Some systems request a password, but the connection can fail because it is not required.
4. Set up a password on the remote system if required. You might need to restart if you change the security information about the system.
5. Check your user ID and password by attempting to sign on to your remote system. If you are unable to do so, contact the system owner to verify that your user ID and password are correct.

Cause list B

1. Make sure binary mode is in effect if you are transferring binary files.
2. Check to be sure the mapping tables on both the client and server are compatible. You need only to do this if you are using your own mapping tables.
3. Check to see that the correct CCSID has been specified for the transfer. If not, use the TYPE or LTYPE subcommand to set the correct CCSID value before the transfer is performed.
4. Create a file on the system that you are planning to store data into. Set the proper record length, number of members, and number of increments. Try the data transfer again and verify that it was successful.
5. Make sure that you are authorized to use the file and the file members.
6. Check to see if the transfer file contains packed decimal or zoned decimal data.
7. If you are transferring a Save file, verify that the appropriate method was used.

Cause list C

1. Check file size limits on the remote system.
2. Check to see if the FTP server timer ended. The system timeout value can be set using the QUOTE TIME command.
3. Use the NETSTAT command to verify that the *LOOPBACK interface is active. Then re-create the problem doing FTP LOOPBACK (IBM i platform to IBM i platform internally).
 - If you *cannot re-create* the problem, it is probably a remote system problem.
 - If you *can re-create* the problem, complete the following steps:
 - a. If the problem is an FTP server problem, then start the FTP server trace using the Trace TCP/IP Application (TRCTCPAPP) command.
 - b. Create the problem again.
 - c. End the FTP connection. Refer to the Starting and stopping the FTP server topic.
 - d. End the FTP server trace using the TRCTCPAPP command.
 - e. Find a spooled file with the following characteristics:
 - The file name is QTMFFTRC
 - The user name associated with the file is the name of the user who issued the TRCTCPAPP command.
 - f. Send in that spooled file.

- g. If the problem is on the FTP client, a trace can be obtained using the DEBUG 100 client subcommand.
- h. When running the FTP client interactively, use the F6 (Print) key to create a spooled file that contains a history of the FTP client subcommands entered, and the associated FTP server replies. When the FTP client is run in batch unattended mode, then this history of subcommands and FTP server replies are written to the specified OUTPUT file.

Related tasks

Starting and stopping the File Transfer Protocol server

You can start and stop the File Transfer Protocol (FTP) server by using System i Navigator.

Related reference

FTP server logon exit point

You can control the authentication to a TCP/IP application server with the TCP/IP Application Server Logon exit point. This exit point allows FTP server access based on the originating session's address. It also allows you to specify an initial working directory that is different from those that are in the user profile.

Materials required for reporting FTP problems

This topic describes the information that the IBM service representative might require to resolve an FTP problem.

Any FTP problem reported to IBM should include the following information:

- A communications trace from the time of the failure (Request TCP/IP data only) that is formatted twice: once for ASCII and once for EBCDIC.
- If the FTP client or server has logged software error data, submit the data.

Note: The system value QSFWERRLOG must be set to *LOG for software error logging to take place. If an error occurs while QSFWERRLOG is set to *NOLOG, change the value to *LOG, try to re-create the error, and submit the logged software error data. If logged software error data is submitted, there is no need to perform a trace of FTP.

- The QTCPIP job and any FTP server or FTP client job logs.
- The FTP client and FTP server debug traces.
- For FTP client problems, a spooled file containing the FTP client session (which can be obtained by pressing the print (F6) key in the FTP session).
- If data integrity is the problem, then the file, member, or library causing the problem should be sent along with a copy of the description of the file, member, or library.

Related concepts

Tracing the FTP client

To produce an FTP client trace or display the subcommands sent to the FTP server, use the DEBUG FTP client subcommand.

Tracing the FTP server

The FTP server can be traced from any system that runs TCP/IP.

Tracing the FTP server

The FTP server can be traced from any system that runs TCP/IP.

You can trace the FTP server in the following ways:

- The FTP server DEBUG subcommand traces within an FTP server session.
- The Trace TCP/IP Application (TRCTCPAPP) command allows system-wide tracing of all the FTP servers.

Tracing the FTP server with the DBUG subcommand

To trace the FTP server, follow these steps:

1. Type QUOTE DBUG to start the trace.

```
File Transfer Protocol

Previous FTP subcommands and messages:
Connecting to host name xxxxxnnn.xxxxxxxx.xxx.xxx at address
n.nnn.nn.nnn using port 21.
220-QTCP at xxxxxnnn.xxxxxxxx.xxx.xxx.
220 Connection will close if idle more than 5 minutes.
215 i5/OS is the remote operating system. The TCP/IPversion is
"V4R4M0".
>
> 331 Enter password.
230 TEST logged on.
250 Now using naming format "0".
257 "QGPL" is current library.
> quote debug
250 Debug mode is now ON.
Enter an FTP subcommand.
===> quote debug

F3=Exit      F6=Print      F9=Retrieve
F17=Top      F18=Bottom    F21=CL command line
```

2. Perform the FTP operation that you want to trace.
3. Type QUOTE DBUG again to end the trace. The trace creates a spooled file called QTMFFTRC. The default output queue contains the spooled file. The user is always the name of the user who was logged on to the FTP server when the trace was ended.
4. Type QUIT to end the FTP session.
5. Enter the following command to find the output queue.

```
DSPSYSVAL QPRTDEV
```

For example, the following display appears:

```
Display System Value
System value . . . . . : QPRTDEV
Description . . . . . : Printer device description
Printer device . . . . . : PRT01      Name
```

The printer device is also the name of the default system output queue.

6. Record the name of the printer device. In this example, PRT01 is the printer device.
7. Press F12 (Cancel) to return to the display where you entered the DSPSYSVAL command.
8. Type the following command:

```
WRKOUTQ OUTQ(printer-device)
```

Replace printer-device with the printer device recorded in the previous display. PRT01 is the output queue in this example. For example, the following display appears:

```

                                Work with Output Queue
Queue:  PRT01                    Library:  QGPL                    Status:  RLS
Type options, press Enter.
  1=Send  2=Change  3=Hold  4=Delete  5=Display  6=Release  7=Messages
  8=Attributes  9=Work with printing status
Opt  File      User      User Data  Sts  Pages  Copies  Form  Type  Pty
-   QTCPPRT   QTCP      QTMSMTP    HLD   46    1       *STD   5
-   QTMFFTRC  QSECOFR   HLD      44    1       *STD   5

```

9. Press F18 (Bottom) to get to the bottom of the spooled file list if More appears on the display.
10. Find the last file named QTMFFTRC with the same user as the user who was logged on the FTP server when the trace was created.
11. Press F11 (View 2) to view the date and time of the file you want to work with.
12. Verify that you are working with the most recent spooled file, QTMFFTRC.

Indicate in the problem report that the trace was tried and it failed. Send whatever trace information there is with the problem report.

The following example uses the FTP server DEBUG subcommand:

```

                                File Transfer Protocol

Previous FTP subcommands and messages:
Connecting to host name xxxxxxxx.xxxxxxx.xxx.xxx at address
n.nnn.nn.nnn using port 21.
220-QTCP at xxxxxxxx.nnnnnnnn.nnn.nnn.
220 Connection will close if idle more than 5 minutes.
215 i5/OS is the remote operating system. The TCP/IP version is
"V4R4M0".
>
331 Enter password.
230 TEST logged on.
250 Now using naming format "0".
257 "QGPL" is current library.

Enter an FTP subcommand.
===> quote debug

F3=Exit      F6=Print      F9=Retrieve
F17=Top      F18=Bottom    F21=CL command line

```

Tracing the FTP server with the Trace TCP/IP Application (TRCTCPAPP) command

The Trace TCP/IP Application (TRCTCPAPP) command allows *system-wide* tracing of *all* the FTP servers.

The TRCTCPAPP command is provided specifically for trained service and development personnel.

*SERVICE special authority is required to use this command. Use the TRCTCPAPP command in situations that require the capturing of trace data for service and development use. This command allows experienced personnel to dynamically start and stop tracing for applications.

With the use of the TRCTCPAPP command, trace information can be captured for the FTP TCP/IP application. Internal trace information can be captured for the IBM i FTP server. The information that can be captured for the FTP server can be filtered using the remote IP address and port, or by using the IBM i user profile. Only one trace can be active at a time on the system.

Here are two examples of the use of the TRCTCPAPP command:

Example 1:

```
TRCTCPAPP APP(*FTP) SET(*ON)
```

This will start tracing for all FTP servers. Tracing for all other TCP applications is not affected.

Example 2:

```
TRCTCPAPP APP(*FTP) SET(*CHK)
```

This command is used to check the status of the tracing for the FTP server jobs. Assume that the last command entered was:

```
TRCTCPAPP APP(*FTP) SET(*ON) USER(JOEC00L)
```

The format of the response to this command would be a set of messages that would look similar to the following commands:

```
TCP45B7 TRCTCPAPP APP(*FTP) SET(*ON) USER(JOEC00L)
      MAXSTG(*DFT) TRCFULL(*WRAP)
TCP45B1 Tracing active for *FTP.
TCP45B2 Data capture begun for *FTP.
TCP45B3 Data buffer wrapped for *FTP.
```

Related concepts

[Materials required for reporting FTP problems](#)

This topic describes the information that the IBM service representative might require to resolve an FTP problem.

Related reference

[DEBUG \(Turn on the FTP Server Trace\)](#)

The DEBUG IBM i FTP server subcommand starts or ends a server trace.

Tracing the FTP client

To produce an FTP client trace or display the subcommands sent to the FTP server, use the DEBUG FTP client subcommand.

The DEBUG subcommand toggles the debugging mode. If an optional debug-value is specified, it is used to set the debugging level. When debugging is on, each subcommand sent to the FTP server is displayed and preceded by the string '>>>'. The debug-value must be set to 100 to produce an FTP client trace.

```
DEBUg [debug value]
```

debug value

If the debug-value is 0, debugging is off. If the debug-value is a positive integer, debugging is on.

If no value is specified, the debug-value is toggled from zero to one or from a positive integer to zero.

100

Initiate an FTP client trace. The client continues running the trace until DEBUG is turned off or until the FTP client is ended. (When the trace is ended, there might be a significant delay while the trace data is formatted.)

Note: The FTP client trace should only be used for reporting software problems to IBM. System performance can be adversely affected by this function.

A new capability has been added to the FTP client for debugging for V4R4. This function is similar to the DEBUG 100 described above. When the client is started, it first checks for the existence of a data area named QTMFTPD100.

You need to create the dataarea QTMFTPD100 in the QTEMP library using this command:

```
CRTDTAARA DTAARA(QTEMP/QTMFTPD100) TYPE(*LGL)AUT(*USE)
```

If the QTMFTPD100 dataarea exists, then it will set the debug value to 100 and start an FTP client trace. The purpose of this capability is to enable FTP client debug traces to be done in those situations when an FTP client trace *cannot* be started by issuing the DEBUG 100 subcommand.

Related concepts

[Materials required for reporting FTP problems](#)

This topic describes the information that the IBM service representative might require to resolve an FTP problem.

Working with FTP server jobs and job log

You can research FTP errors by obtaining a spooled file of the FTP server job log. The FTP server automatically writes a server job log to a spooled file when it ends with an error.

A server job log can be written to a spooled file without ending the connection by issuing the following subcommand from an FTP client:

```
QUOTE RCMD DSPJOBLOG
```

To obtain a copy of error messages written to the FTP server job log, this subcommand must be issued after the error has occurred. You can then inspect the job log using the Work with Spooled Files (WRKSPLF) command.

This technique is suggested in those cases where the reply message that is returned to the client from the FTP server only provides minimal information about an error that is occurring on the FTP server. For example, this method is useful for obtaining details about I/O errors that occur on the system that the FTP server is on.

If the error prevents the FTP server job log from being obtained by the method described here, enter the following command to force a spooled job log to be created for each FTP session:

```
CHGJOB JOB(QUSRSYS/QTMFTPS) LOG(4 00 *SECLVL)
```

Then recreate the scenario which causes the error. To restore the original job log behavior after obtaining the required data, enter the following command:

```
CHGJOB JOB(QUSRSYS/QTMFTPS) LOG(4 00 *NOLOG)
```

To have a spooled job log produced at the end of each FTP session and each time an FTP server ends (with or without an error), use the Change Job Description (CHGJOB) command as follows:

```
CHGJOB JOB(QUSRSYS/QTMFTPS) LOG(4 00 *SECLVL)
```

To get a spooled job log only when a connection ends, use the CHGJOB command as follows:

```
CHGJOB JOB(QUSRSYS/QTMFTPS) LOG(4 00 *NOLIST)
```

FTP server jobs and job names

The FTP server jobs are started when the Start TCP/IP (STRTCP) command is run and with the FTP AUTOSTART parameter is set to *YES, or when the Start TCP/IP Server (STRTCP) command is run with a SERVER parameter value of *FTP or *ALL. These jobs run in the QSYSWRK subsystem and their purpose is to monitor for incoming FTP users. The format for the names of these jobs is QTFTPnnnnn, where nnnnn is the job number of the FTP server job submitting to this FTP server.

To work with FTP server jobs, enter the following CL command:

```
WRKACTJOB JOB(QTFTP*)
```

Related reference

[Work with Spooled Files \(WRKSPLF\)](#)

Code license and disclaimer information

IBM grants you a nonexclusive copyright license to use all programming code examples from which you can generate similar function tailored to your own specific needs.

SUBJECT TO ANY STATUTORY WARRANTIES WHICH CANNOT BE EXCLUDED, IBM, ITS PROGRAM DEVELOPERS AND SUPPLIERS MAKE NO WARRANTIES OR CONDITIONS EITHER EXPRESS OR IMPLIED, INCLUDING BUT NOT LIMITED TO, THE IMPLIED WARRANTIES OR CONDITIONS OF MERCHANTABILITY, FITNESS FOR A PARTICULAR PURPOSE, AND NON-INFRINGEMENT, REGARDING THE PROGRAM OR TECHNICAL SUPPORT, IF ANY.

UNDER NO CIRCUMSTANCES IS IBM, ITS PROGRAM DEVELOPERS OR SUPPLIERS LIABLE FOR ANY OF THE FOLLOWING, EVEN IF INFORMED OF THEIR POSSIBILITY:

1. LOSS OF, OR DAMAGE TO, DATA;
2. DIRECT, SPECIAL, INCIDENTAL, OR INDIRECT DAMAGES, OR FOR ANY ECONOMIC CONSEQUENTIAL DAMAGES; OR
3. LOST PROFITS, BUSINESS, REVENUE, GOODWILL, OR ANTICIPATED SAVINGS.

SOME JURISDICTIONS DO NOT ALLOW THE EXCLUSION OR LIMITATION OF DIRECT, INCIDENTAL, OR CONSEQUENTIAL DAMAGES, SO SOME OR ALL OF THE ABOVE LIMITATIONS OR EXCLUSIONS MAY NOT APPLY TO YOU.

Notices

This information was developed for products and services offered in the U.S.A.

IBM may not offer the products, services, or features discussed in this document in other countries. Consult your local IBM representative for information on the products and services currently available in your area. Any reference to an IBM product, program, or service is not intended to state or imply that only that IBM product, program, or service may be used. Any functionally equivalent product, program, or service that does not infringe any IBM intellectual property right may be used instead. However, it is the user's responsibility to evaluate and verify the operation of any non-IBM product, program, or service.

IBM may have patents or pending patent applications covering subject matter described in this document. The furnishing of this document does not grant you any license to these patents. You can send license inquiries, in writing, to:

IBM Director of Licensing
IBM Corporation
North Castle Drive
Armonk, NY 10504-1785
U.S.A.

For license inquiries regarding double-byte (DBCS) information, contact the IBM Intellectual Property Department in your country or send inquiries, in writing, to:

Intellectual Property Licensing
Legal and Intellectual Property Law
IBM Japan Ltd.
1623-14, Shimotsuruma, Yamato-shi
Kanagawa 242-8502 Japan

The following paragraph does not apply to the United Kingdom or any other country where such provisions are inconsistent with local law: INTERNATIONAL BUSINESS MACHINES CORPORATION PROVIDES THIS PUBLICATION "AS IS" WITHOUT WARRANTY OF ANY KIND, EITHER EXPRESS OR IMPLIED, INCLUDING, BUT NOT LIMITED TO, THE IMPLIED WARRANTIES OF NON-INFRINGEMENT, MERCHANTABILITY OR FITNESS FOR A PARTICULAR PURPOSE. Some states do not allow disclaimer of express or implied warranties in certain transactions, therefore, this statement may not apply to you.

This information could include technical inaccuracies or typographical errors. Changes are periodically made to the information herein; these changes will be incorporated in new editions of the publication. IBM may make improvements and/or changes in the product(s) and/or the program(s) described in this publication at any time without notice.

Any references in this information to non-IBM Web sites are provided for convenience only and do not in any manner serve as an endorsement of those Web sites. The materials at those Web sites are not part of the materials for this IBM product and use of those Web sites is at your own risk.

IBM may use or distribute any of the information you supply in any way it believes appropriate without incurring any obligation to you.

Licensees of this program who wish to have information about it for the purpose of enabling: (i) the exchange of information between independently created programs and other programs (including this one) and (ii) the mutual use of the information which has been exchanged, should contact:

IBM Corporation
Software Interoperability Coordinator, Department YBWA
3605 Highway 52 N
Rochester, MN 55901
U.S.A.

Such information may be available, subject to appropriate terms and conditions, including in some cases, payment of a fee.

The licensed program described in this document and all licensed material available for it are provided by IBM under terms of the IBM Customer Agreement, IBM International Program License Agreement or any equivalent agreement between us.

Any performance data contained herein was determined in a controlled environment. Therefore, the results obtained in other operating environments may vary significantly. Some measurements may have been made on development-level systems and there is no guarantee that these measurements will be the same on generally available systems. Furthermore, some measurements may have been estimated through extrapolation. Actual results may vary. Users of this document should verify the applicable data for their specific environment.

Information concerning non-IBM products was obtained from the suppliers of those products, their published announcements or other publicly available sources. IBM has not tested those products and cannot confirm the accuracy of performance, compatibility or any other claims related to non-IBM products. Questions on the capabilities of non-IBM products should be addressed to the suppliers of those products.

All statements regarding IBM's future direction or intent are subject to change or withdrawal without notice, and represent goals and objectives only.

This information is for planning purposes only. The information herein is subject to change before the products described become available.

This information contains examples of data and reports used in daily business operations. To illustrate them as completely as possible, the examples include the names of individuals, companies, brands, and products. All of these names are fictitious and any similarity to the names and addresses used by an actual business enterprise is entirely coincidental.

COPYRIGHT LICENSE:

This information contains sample application programs in source language, which illustrate programming techniques on various operating platforms. You may copy, modify, and distribute these sample programs in any form without payment to IBM, for the purposes of developing, using, marketing or distributing application programs conforming to the application programming interface for the operating platform for which the sample programs are written. These examples have not been thoroughly tested under all conditions. IBM, therefore, cannot guarantee or imply reliability, serviceability, or function of these programs. The sample programs are provided "AS IS", without warranty of any kind. IBM shall not be liable for any damages arising out of your use of the sample programs.

Each copy or any portion of these sample programs or any derivative work, must include a copyright notice as follows:

© (your company name) (year). Portions of this code are derived from IBM Corp. Sample Programs.

© Copyright IBM Corp. _enter the year or years_.

Programming interface information

This File Transfer Protocol publication documents intended Programming Interfaces that allow the customer to write programs to obtain the services of IBM i.

Trademarks

IBM, the IBM logo, and ibm.com are trademarks or registered trademarks of International Business Machines Corp., registered in many jurisdictions worldwide. Other product and service names might be trademarks of IBM or other companies. A current list of IBM trademarks is available on the Web at "[Copyright and trademark information](http://www.ibm.com/legal/copytrade.shtml)" at www.ibm.com/legal/copytrade.shtml.

Adobe, the Adobe logo, PostScript, and the PostScript logo are either registered trademarks or trademarks of Adobe Systems Incorporated in the United States, and/or other countries.

Microsoft, Windows, Windows NT, and the Windows logo are trademarks of Microsoft Corporation in the United States, other countries, or both.

UNIX is a registered trademark of The Open Group in the United States and other countries.

Java and all Java-based trademarks and logos are trademarks of Oracle, Inc. in the United States, other countries, or both.

Other product and service names might be trademarks of IBM or other companies.

Terms and conditions

Permissions for the use of these publications is granted subject to the following terms and conditions.

Personal Use: You may reproduce these publications for your personal, noncommercial use provided that all proprietary notices are preserved. You may not distribute, display or make derivative works of these publications, or any portion thereof, without the express consent of IBM.

Commercial Use: You may reproduce, distribute and display these publications solely within your enterprise provided that all proprietary notices are preserved. You may not make derivative works of these publications, or reproduce, distribute or display these publications or any portion thereof outside your enterprise, without the express consent of IBM.

Except as expressly granted in this permission, no other permissions, licenses or rights are granted, either express or implied, to the publications or any information, data, software or other intellectual property contained therein.

IBM reserves the right to withdraw the permissions granted herein whenever, in its discretion, the use of the publications is detrimental to its interest or, as determined by IBM, the above instructions are not being properly followed.

You may not download, export or re-export this information except in full compliance with all applicable laws and regulations, including all United States export laws and regulations.

IBM MAKES NO GUARANTEE ABOUT THE CONTENT OF THESE PUBLICATIONS. THE PUBLICATIONS ARE PROVIDED "AS-IS" AND WITHOUT WARRANTY OF ANY KIND, EITHER EXPRESSED OR IMPLIED, INCLUDING BUT NOT LIMITED TO IMPLIED WARRANTIES OF MERCHANTABILITY, NON-INFRINGEMENT, AND FITNESS FOR A PARTICULAR PURPOSE.

