

Personal Communications for Windows, Version 6.0



Administrator's Guide and Reference

Personal Communications for Windows, Version 6.0



Administrator's Guide and Reference

Note

Before using this information and the product it supports, read the information in Appendix C, "Notices," on page 263.

Sixth Edition (September 2009)

This edition applies to Version 6.0 of IBM Personal Communications (program number: 5639-I70) and to all subsequent releases and modifications until otherwise indicated in new editions.

© Copyright International Business Machines Corporation 1989, 2009.

US Government Users Restricted Rights – Use, duplication or disclosure restricted by GSA ADP Schedule Contract with IBM Corp.

Contents

Figures	vii
--------------------------	------------

Tables	ix
-------------------------	-----------

About This Book. **xi**

Who Should Read This Book.	xi
How to Use This Book.	xi
Command Syntax Symbols	xi
Where to Find More Information	xii
Information Center.	xii
Online Help	xii
Messages and Alerts	xii
Personal Communications Library	xiii

Part 1. General Information **1**

Chapter 1. Personal Communications Highlights	3
--	----------

Chapter 2. Problem Analysis **7**

Log Viewer	7
Trace Facility	8
Information Bundler.	9
Internet Service	9
Checking for APARs and Manufacturing Refreshes	10
Fix Packs	10
Manufacturing Refreshes (MRs)	10

Part 2. Advanced Configuration, Management, and Operations **11**

Chapter 3. Advanced Configuration **13**

Configuration Files	13
Initial Configuration Definitions	13
Using Template and Update Files	14
Configuring Multiple Links	17
Configuring a Second 3270 Emulation Link.	17
Configuring a Second 5250 Emulation Link.	18
Configuring a Second Link of a Different Kind	18
Configuring to Perform 3270 and 5250 Emulation to Multiple Hosts	19
Automatic Device Name Generation (5250 Only)	22
Substitution Characters	22
Client Naming Function	23
Device Name Collision Processing.	24
Commands for Emulator Functions	24
Start a Personal Communications Session	24
Stop a Personal Communications Session	25
Query Personal Communications Sessions	25

Chapter 4. Attachment Considerations and Adapter Setup Information **27**

Attachment Information	27
IBM-EEDLC	27
TCP/IP Connection.	28
SDLC MPA Attachment	29
IBM Global Network - SNA over Async Attachment	30
IBM Global Network Connection Attachment	30
Home3270 Attachment	31
3270 Attachment via the iSeries System	32
IBM PC720 Modem Initialization (Japan only)	32
5250 Asynchronous Console	32
Adapter Setup Information	33
Creating and Updating Devices in Windows XP	33
MPA Adapters	33
OEM Adapters	35

Chapter 5. System Policy Support **37**

Configuration Policy	37
Communication	37
Menu	38
Toolbar	38
Multiple Sessions	39
Keyboard	40
Mouse	40
Change Directory	41
Import	41
Execution Policy.	41
Start Session	41
Product Update	42
Detect and Repair	42
File Transfer	42
Installation Policy	42
View Policy	42

Chapter 6. Configuring and Using Security for Personal Communications. **45**

Certificates	45
Certificate Migration	46
Managing Certificates in the Microsoft Certificate Stores	46
Configuring and Using Secure Sockets Layer	46
Preparation for TLS/SSL Communication	47
Establishing a Secure Session	48
Configuring Personal Communications Session Security	49
Pop-up Messages	51
Changing the Password of a Client's Key Database	52
Connecting to a Server Using a Certificate from a Well-Known CA.	52
Connecting to a Server Using a Certificate from an Unknown CA	53
Connecting to a Server Using a Self-Signed Certificate	55
Problem Determination	56

Smart Card Support in GSKit	56
Using the IKEYCMD Command-Line Interface	57
Using Transport Layer Security	68
Configuring for TLS	69
Negotiated Telnet Security	69

Chapter 7. Using Windows Terminal

Services	71
Session IDs	71
SNA Node Options	71
Configuration Preferences	71
User ID (Local LU 6.2)	72
Trace Facility	73

Chapter 8. ODBC Drivers and Database

Access Utility	75
Overview of Open Database Connectivity (ODBC)	75
Components of ODBC	75
Database Access	77
Accessing an ODBC Data Source	77
Database Size Limit	79

Chapter 9. Express Logon 81

Bypass Signon Using Password Substitute (5250)	81
Kerberos Services Ticket Auto-Signon	81
Certificate Express Logon	81
Using Certificate Express Logon	81
Preparing to Configure Certificate Express Logon	82
Configuring Certificate Express Logon	83
Problem Determination	83

Chapter 10. Log Viewer Functions 85

Viewing Message and Trace Logs	85
Changing Message Log Size and Location	85
Merging Message and Trace Logs	85
Sorting Message and Trace Logs	86
Searching Personal Communications Logs	86
Filtering Personal Communications Logs	86

Part 3. SNA and AnyNet Topics 87

Chapter 11. SNA Client/Server

Concepts	89
Terminology	89
APPC Concepts	89
Introducing APPC and CPI-C	90
What Is a Transaction Program?	90
What Is the Difference between APPC and APPN?	91
Side Information Definitions	91
Improving Productivity Using APPC	92
Improving Productivity Using CPI-C	92
What Is a Logical Unit?	92
LU Types	93
Dependent and Independent LUs	93
What Is a Session?	93
What Is a Conversation?	94
A Conversation between Two TPs	95
Parallel Sessions between LUs	95

SNA Communications	95
SNA Node Operations	96

Chapter 12. AnyNet SNA over TCP/IP 97

What Does AnyNet SNA over TCP/IP Do?	97
Running APPC or CPI-C Applications over a TCP/IP Network	97
Using AnyNet to Connect SNA Applications on Different Platforms	97
Chaining Gateways to Connect Multiple SNA and IP Networks	98
5250 Emulation over a TCP/IP Network	99
APPC3270 Emulation over a TCP/IP Network	99
3270 Emulation via DLUR over a TCP/IP Network	100
3270 Emulation over a TCP/IP Network via an SNA Gateway to a VTAM Host on an SNA Network	100
3270 Emulation over a TCP/IP Network via an SNA Gateway to a VTAM Host on an APPN Network	101
3270 Emulation via an SNA Gateway over a TCP/IP Network	101
How Does SNA over TCP/IP Work?	102
Mapping SNA Resources to IP Addresses	103
Defining Domain Names and IP Addresses	104
Defining Unique CP Names and Connection Network Names	105
Setting and Modifying the Routing Preference Protocol	106
Helpful Hints	107
Tuning	107
Connecting to iSeries, eServer i5, or System i5	107
Dynamic IP Addresses	107
AnyNet Configuration Examples	108
Example 1. 5250 Emulation Over a TCP/IP Network	108
Example 2. Running APPC or CPI-C Applications over a TCP/IP Network	109
Example 3. APPC3270 Emulation over a TCP/IP Network	110
Example 4. 3270 Emulation via DLUR over a TCP/IP Network	111
Example 5. 3270 Emulation over a TCP/IP Network via a SNA Gateway to a VTAM Host on a SNA Network	113
Example 6. 3270 Emulation via an SNA Gateway over a TCP/IP Network	114
Example 7. 3270 Emulation over a TCP/IP Network via an AnyNet SNA/IP Gateway to a VTAM Host on an APPN Network	115
Example 8. 3270 Emulation from a Windows XP Workstation on Different IP Networks	116

Chapter 13. SNA Node Operations 119

Starting Node Operations	121
Using the Menu Bar	121
Displaying a Resource	122
Starting a Resource	122
Stopping a Resource	122

Deleting a Resource	122
Changing an HPR Path Switch	122
Updating SNA Resources Dynamically	123
Command-Line Utilities	123

Chapter 14. SNA Cryptography Support 127

Enabling and Using Session-Level Encryption	127
Configuring Proper Key-Encrypting Keys	127
Naming Labels for KEKs	128
Enabling Cryptography in SNA Node Configuration	129

Part 4. National Language Support 131

Chapter 15. Multiple-Language Support 133

Overview	133
System Locale	133
Language Groups	133
Personal Communications User Interface Languages	134
Multiple Sessions	135
Other Considerations	135

Chapter 16. Country Codes and Character Sets 137

Keyboard Country ID and Shift Support	138
IBM Japanese Character Set (2-Byte Codes)	140
Character Types	140
Character Size	140
IBM Kanji Codes	140
IBM Traditional Chinese Character Set	141
IBM Simplified Chinese Character Set, GBK Code	142
IBM Hangeul Character Set	142
Thai Language Support	143

Chapter 17. Bidirectional Language Support (Arabic and Hebrew) 145

Considerations for Printing	145
Printing in Arabic	145
DAT File for 5250 Arabic	146
Bidirectional Arabic Support	147
Limitations	147
Installation Tips	147
Bidirectional Keyboard Functions for 3270	147
Arabic Character Shape Selection Functions	149
Personal Communications iSeries	150
Bidirectional Hebrew Support	151
Bidirectional Functions for 3270	151
Keyboard Layout	153
Configuration	153
Font	154
File Transfer with 862 Code Page	154
Bidirectional Functions for 5250	154
Bidirectional Support for VT	155
Configuring VT Emulation for Arabic or Hebrew	155

File Transfer	155
Copy and Paste	156
Print Screen	156
Remapping BiDi Keys	156
Bidirectional Functions for VT	156
Arabic Support for ASMO 449 7-bit Code Page	157

Chapter 18. Unicode Support 159

1390/1399 Code Pages	159
Hindi Support	160

Part 5. Building a Printer Definition Table (PDT) 161

Chapter 19. Building a Printer Definition Table (PDT) for PC/3270 163

ASCII_PASSTHRU? and EBCDIC_PASSTHRU?	163
Supplemental Explanation of PDF Statements for PC/3270	163
SCS TAB Setting	165
Printer Color Mixing	165
Printer Session Data Stream Support	165
3270 Data Stream	165
SCS Data Stream	167
Delimiting Print Jobs	168
Structured Fields	169
Begin/End of File Query Reply	169
Begin/End of File Structured Fields	169

Chapter 20. Building a Printer Definition Table (PDT) for PC400 173

Using the Printer Definition Table (PDT) File	173
Printer Definition File (PDF File) Format	173
Macro Definitions	173
Formatting Controls	175
Printing More than One Screen on a Page	177
Transparent Print Capability	178
ASCII_PASSTHRU? Keyword Support	178
EBCDIC_PASSTHRU? Keyword Support	178
EBCDIC_xx Keyword Support	179
Printer Definition Tables	179
Example Printer Definition Files	179
IBM4019.PDF File Contents	180
IBM5577.PDF File Contents	188
Field Names of Printer Definition Files	190
Symbols of Printer Definition Files	196
Using Printer Control Codes	201
Printer Control Code Format	201
Parameter Definition of Printer Control Codes	202
Supported Control Codes	202
Supported SCS Commands	202
Programming Notes	205
Restrictions and Notes for iSeries, eServer i5, or System i5 Commands and Printer Setup	205
PFT Migration Utility	211
Using the PFT Migration Utility	211
Details of Migration	212

Part 6. Appendixes 237

Appendix A. iSeries, eServer i5, or System i5 Configuration Examples . . .	239
iSeries Device Description	240
5250 Sessions through One Link	240
System i5, iSeries, eServer i5, or System Mode Description	241
iSeries, eServer i5, or System i5 Device Description for Twinaxial Attachments (APPC) Example	242
iSeries, eServer i5, or System i5 Device Description for Asynchronous Attachment Example.	243
iSeries, eServer i5, or System i5 VT Asynchronous Attachment Example	247
iSeries, eServer i5, or System i5 Configuration for SDLC Example	249
Network Attributes	249
SDLC Leased Configuration	250

Creating an SDLC Line Description	250
SDLC Controller Description	252
SDLC Switched Configuration.	253
SDLC Line Description	253
SDLC Controller Description	255
LAN Configuration Example	256
LAN Controller Description	257

Appendix B. Alerts 259

Appendix C. Notices 263

Trademarks	264
----------------------	-----

Index 267

Figures

1. Database Access Overview	75	15. Structure of SNA over TCP/IP for Personal Communications	103
2. ODBC Components	76	16. Formats of the Domain Names That SNA over TCP/IP Builds	104
3. A Session between Two LUs	94	17. Defining a CP Name and a Connection Network Name	106
4. A Conversation between Two TPs	95	18. 5250 Emulation Over a TCP/IP Network	108
5. Parallel Sessions between LUs	95	19. Running APPC or CPI-C Applications over a TCP/IP Network	109
6. Running APPC or CPI-C Applications over a TCP/IP Network.	97	20. APPC3270 Emulation over a TCP/IP Network	111
7. Using AnyNet to Connect SNA Applications on Different Platforms	98	21. 3270 Emulation via DLUR over a TCP/IP Network	112
8. Chaining Multiple Gateways to Connect Multiple IP Networks	99	22. 3270 Emulation over a TCP/IP Network via a SNA Gateway to a VTAM Host on an SNA Network	113
9. 5250 Emulation over a TCP/IP Network	99	23. 3270 Emulation via an SNA Gateway over a TCP/IP Network	114
10. APPC3270 Emulation over a TCP/IP Network	100	24. 3270 Emulation over a TCP/IP Network via an AnyNet SNA/IP Gateway to a VTAM Host on an APPN Network	115
11. 3270 Emulation via DLUR over a TCP/IP Network	100	25. 3270 Emulation on Different IP Networks	116
12. 3270 Emulation over a TCP/IP Network via an SNA Gateway to a VTAM Host on an SNA Network	101	26. LAN Attachment via IEEE 802.2	239
13. 3270 Emulation over a TCP/IP Network via an SNA Gateway to a VTAM Host on an APPN Network.	101		
14. 3270 Emulation via an SNA Gateway over a TCP/IP Network	102		

Tables

1. Supported Netscape PKCS#11-compatible Smart Card Drivers	56	17. 3270 Data Stream Commands	166
2. Object–Action Pairs for IKEYCMD	59	18. 3270 Data Stream Orders.	166
3. Command-Line Options for IKEYCMD	60	19. 3270 Data Stream Format Control Codes	167
4. Supported Keyboard Types	137	20. Supported SCS Control Codes	167
5. Keyboard Country ID and Shift Support	138	21. Begin/End of File Query Reply Format	169
6. IBM Japanese Character Set and IBM Kanji Codes	140	22. Begin/End of File Structured Field Format	169
7. IBM Japanese Character Set and IBM Kanji Codes (Extended for Unicode Subset)	141	23. Field Names of PDF Files	190
8. IBM Traditional Chinese Host Code	141	24. Effective Values for PDF File Field Names	195
9. IBM Simplified Chinese Character Set, GBK Code	142	25. Printer Symbol Definitions	196
10. IBM Hangeul Host Code (833)	142	26. Printer Control Code Parameter Types	202
11. IBM Hangeul Host Code (1364)	143	27. Supported SCS Commands	202
12. Bidirectional Key-Combinations for 3270	151	28. Printer Control Codes.	206
13. Bidirectional Key-Combinations for 5250	154	29. SCD Parameter Values	206
14. Bidirectional Key-Combinations for VT	156	30. Commonly Used SFG GFID Values	207
15. Control Sequences for Arabic VT Support	157	31. iSeries, eServer i5, or System i5 Font Parameters	207
16. Color Mixes	165	32. PDF File Name	211
		33. Migration from the Printer Function Table to the Printer Definition File	212

About This Book

IBM® Personal Communications for Windows® reference books are comprised of this Administrator's Guide and Reference and an Emulator User's Reference. These volumes provide information for using IBM Personal Communications iSeries for Windows operating systems (hereafter called PC400) and IBM Personal Communications for Windows operating systems.

Notes:

1. *PC/3270* refers to the 3270 portion of the combined package.
2. *Workstation* refers to all supported personal computers.
3. *Windows* refers to Windows XP, Windows Server 2003, Windows Vista, Windows 7, and Windows Server 2008. When information applies only to a specific operating system, this is indicated in the text.

Who Should Read This Book

This book is intended for administrators of Personal Communications.

How to Use This Book

This book contains reference information that you might need to refer to when installing or operating Personal Communications.

Personal Communications is designed to use various communication adapters and to work with other workstation and host system software. Refer to the appropriate documentation for the products you use.

Command Syntax Symbols

Parentheses, brackets, ellipses, and slashes have the following meanings or uses:

- () Parentheses enclose operands that govern the action of certain command options.
- [] Brackets indicate an optional command argument. If you do not use the optional item, the program selects a default.
- ... Ellipsis after an argument indicates that you can repeat the preceding item any number of times.
- / For 3270, a slash must precede the Time Sharing Option Extensions (TSO/E) password. A slash must also precede parameters of DOS commands entered from the command line. For 5250, a slash must precede parameters of IBM DOS commands entered from the command line.
- \ A backslash is included as part of any directory name. An initial backslash indicates the first-level directory, and an additional backslash is inserted in the directory name to indicate another level.

All directives, operands, and other syntax can be typed in either uppercase or lowercase, unless otherwise indicated.

Where to Find More Information

The following sections discuss getting help when you are installing, configuring, or using Personal Communications.

Information Center

You can find documentation and links to other resources at the Personal Communications Information Center, at the following address:

<http://publib.boulder.ibm.com/infocenter/pcomhelp>

The Information Center contains reference material that is not found in this book, such as keyboard layouts and host code page tables. The Japanese Information Center also contains FAQs and troubleshooting tips.

The Personal Communications Information Center provides information in English and Japanese.

Online Help

The help facility describes how to install, configure, and use Personal Communications. Online help is very extensive and includes information about every aspect of configuring and using Personal Communications.

Use help to obtain the following information:

- Menu choices
- Operation procedures
- Operations in windows
- Meanings of the terms displayed in windows
- Causes of errors and the corresponding actions to take
- Mouse-based operations
- Operation without a mouse
- Detailed explanations of specific terms
- Further technical information about Personal Communications
- Detailed explanations of operator information area (OIA) messages

To display online help, select choices from the **Help** menu or press **F1**.

You can use Personal Communications online help just as you use the online help for Windows.

Messages and Alerts

Online messages are displayed by Personal Communications, but a message does not always mean an error occurred. For example, a message might tell you that an operation is in progress or has been completed. A message can also prompt you to wait for the completion of an operation.

Messages That Appear in Pop-Up Windows

While using Personal Communications, you may see messages appear in popup windows, but not necessarily as a direct result of your actions. These messages can appear for a number of reasons, outlined in the following sections.

System-Fault Messages: If a message does appear in a pop-up window, you can paste its contents into the Windows clipboard. To do this:

1. Click **Details** on the pop-up window.

2. Mark the text that you want to copy.
3. Click the marked text with the right mouse button and then click **Copy**.
4. Start an editor, such as Notepad, and click **Paste** from the **Edit** menu.
5. Save the file in case an IBM Service Representative needs this information to diagnose your problem.

Security-Related Messages: Personal Communications optionally utilizes Secure Sockets Layer (SSL) or Transport Layer Security (TLS) to establish sessions with servers; this may require input from you (for example, a password). See Chapter 6, “Configuring and Using Security for Personal Communications,” on page 45 for details.

System-Policy-Related Messages: Your Personal Communications workstation configuration can be controlled centrally using facilities for managing system policies. See Chapter 5, “System Policy Support,” on page 37 for details.

OIA Messages

Personal Communications displays messages in the operator information area (OIA) or in a pop-up window. Messages from Personal Communications are displayed in the message window; messages from the host system regarding the condition of the session are displayed in the OIA of the session window.

The OIA is the bottom line of the session window. An OIA message indicates the status of Personal Communications as well as information about the workstation, host system, and attachment method.

All of the OIA indicators, reminders, and messages are described in the online help. To view this information:

1. Click **Index** from the **Help** menu.
2. Select **The operator information area messages**.
To look up a specific OIA message, select **Search**. When the Search window appears, type the letters that appear in the OIA. For example, MACH or PROG. If a lightning bolt appears, type COMM.
3. Double-click the index entry that matches your search.
4. Scroll through the window until you find the number that appears in your OIA.

Alerts

Alerts may be generated which correspond to specific Personal Communications messages. See Appendix B, “Alerts,” on page 259 for more information.

Personal Communications Library

The Personal Communications library includes the following publications:

- *Installation Guide*
- *Quick Beginnings*
- *Emulator User's Reference*
- *Administrator's Guide and Reference*
- *Emulator Programming*
- *Client/Server Communications Programming*
- *System Management Programming*
- *CM Mouse Support User's Guide and Reference*
- *Host Access Class Library*
- *Configuration File Reference*

These books are also available (except in DBCS versions) in PDF format and are optionally installed or viewed from the Installation Image.

In addition to the printed books, there are HTML documents provided with Personal Communications:

Host Access Class Library for Java

This HTML document describes how to write an ActiveX/OLE 2.0-compliant application to use Personal Communications as an embedded object.

Part 1. General Information

Chapter 1. Personal Communications Highlights

Personal Communications brings the power of personal networking to your workstation by providing a variety of connectivity options supporting local area network (LAN) and wide area network (WAN) environments. Whether you need host terminal emulation, client/server applications, or connectivity, Personal Communications offers a robust set of communications, networking, and administrative features.

Personal Communications is a full-function emulator package with an easy-to-use graphical interface, which includes many useful features such as file transfer and dynamic configuration, and emulator APIs including the IBM Host Access Class Library.

Personal Communications also provides a variety of SNA-based client application programming interfaces (APIs). You can create applications that use the peer-to-peer client APIs, which are based on LU 6.2 (and provided by Personal Communications). Using these APIs you can simultaneously access and process information on peer workstations.

With Personal Communications, you can participate in Advanced Peer-to-Peer Networking[®] (APPN) as an end node, and use the advanced network features, high-performance routing (HPR), and dependent LU requester (DLUR).

Personal Communications provides the following functions:

- **zSeries Connections**

- LAN** LAN via IEEE 802.2
Communications Server for Windows
Telnet3270
3270 via iSeries[®]
APPC 3270 via LAN
Microsoft[®] SNA client over FMI
Dependent Logical Unit Requester (DLUR)
VT-over-Telnet (TCP/IP)
3174 Peer Communication

- COM port**

- Telnet 3270
SNA-over-Async
IBM Global Network[®] (not in Japan)
Home3270
IBM Global Network - SNA-over-Async
Dependent Logical Unit Requester (DLUR) via
SNA-over-Async
Hayes AutoSync
APPC 3270 via SNA-over-Async
APPC 3270 via Hayes AutoSync
VT-over-Async
VT-over-Telnet (TCP/IP)
X.25 Hayes AutoSync
X.25 DLUR via Hayes AutoSync
X.25 APPC 3270 via Hayes AutoSync

- SDLC** Synchronous Data Link Control

- 3270 via iSeries (passthru)
- APPC 3270 via SDLC
- Dependent Logical Unit Requester (DLUR)
- SNA/IP**
 - LU 0, 1, 2, 3
 - APPC 3270
 - LU 0, 1, 2, 3 via DLUR
- IBM-EEDLC**
 - LU (0, 1, 2, 3) via DLUR
 - APPC 3270
- OEM**
 - LU (0, 1, 2, 3)
 - 3270 via iSeries (passthru)
 - APPC 3270
 - Dependent LU Requester (DLUR)
- **iSeries Connections**
 - LAN**
 - LAN via IEEE 802.2
 - Telnet5250 over TCP/IP
 - VT over Telnet
 - Telnet5250 over IPX/SPX
 - COM port**
 - SNA-over-Async
 - Hayes AutoSync
 - SNA-over-Async (Console)
 - VT over Async
 - VT over Telnet
 - Telnet 5250
 - X.25 Hayes AutoSync
 - SDLC** Synchronous Data Link Control
 - SNA/IP**
 - 5250
 - IBM ISA/MCA WAC**
 - Synchronous Data Link Control (WAC)
 - X.25 Qualified Logical Link Control
 - IBM-EEDLC**
 - 5250
 - OEM**
 - APPC 5250
- **ASCII Emulator Connections**
 - LAN**
 - VT over Telnet
 - COM port**
 - VT-over-Async
 - VT over Telnet
- **Client/Server Connections**
 - LAN**
 - LAN via IEEE 802.2
 - COM port**
 - SNA-over-Async
 - Hayes AutoSync
 - X.25
 - SDLC** Synchronous Data Link Control
 - AnyNet[®] SNA over TCP/IP**
 - APPC
 - Enterprise Extender**
 - HPR over IP
- **Configuration of SNA Node (APPN) Sessions**
 - Emulator
 - Client/server applications

- **SNA Node Operations**
 - Starting and stopping resources
 - Deleting resources
 - Displaying resource information
 - Changing session limits
 - Initiation of path switches
- **Log Viewer**
 - View Message Log, Trace Log, and Merged Log files
 - Summary and Detail views
 - Set default Message Log size and location
 - Filter and search Log files
 - Message Log entries Help
- **Trace Capability**
 - 3270/5250 emulator data
 - APPN and APPC API data
 - Connectivity data, such as LAN or SDLC
 - User services data, such as node initialization
- **APPC Applets**
 - Display SNA sense data (GETSENSE)
 - Check connection (APING)
- **Sample Programs**
 - Located in \Personal Communications\samples subdirectory
- **Installation and Configuration**
 - Partial installation option
 - Program sharing on a network server
 - Automatic detection of installed communication adapters
 - Dynamic change of communication configurations
 - Automatic Dial Facility (Async (IGN), SDLC, Home3270, SNA-A)
 - Silent Installation
 - ASCII SNA-node configuration
 - Verification of ASCII configuration
- **OEM Adaptor Cards**

An open API enables vendors and other equipment manufacturers (OEMs) to provide adapter cards that allow for additional connectivity options, for example, additional X.25, ISDN, or SDLC support.
- **Host Session Function**
 - Up to 52 sessions
 - Variable screen size and automatic font scaling
 - Function settings (of the host code page, for example) for each session
- **Host Graphics Support**
 - Built-in vector graphics support for GDDM[®] and other graphics applications
- **File Transfer Function**
 - Easy operation through graphical user interface (GUI) windows
 - Batch transfer of multiple files
 - Concurrent file transfer through multiple sessions
 - Background file transfer
 - File transfer invocation by macro
 - OfficeVision/MVS[™] Import/Export functions
 - VT File Transfer (XModem and YModem)
- **Edit (Cut and Paste) Function**

You can use the clipboard to cut, copy, and paste a selected area. In addition, you can paste data in other applications, such as spreadsheet programs, that support the PasteLink function.

- Support of spreadsheet data format (Sylk, Biff3, Wk3 formats)
- Copy Append
- Paste Next
- Paste to Trim Rectangle
- Paste Stop at Protected Line
- **Graphical User Interface (GUI)**
 - Customizable 3D iconic tool bar
 - 3D-button hotspots
 - Pop-up keypad
 - Macro function, including record and play
 - VBScripts, including record and play
 - Keyboard-function setup and remapping
 - Mouse-button-function setup and remapping
 - Display setup (cursor type, graphics, sound, colors, for example)
 - Automatic font size adjustment or fixed font size
 - Window-appearance setup
 - Menu-bar customization
 - 3270 Light Pen emulation by using a mouse
 - Status bar with history
 - Page Setup
 - Revised Configuration Dialog
 - Online help
- **Print Function**
 - Printer session (for PC/3270: SCS, LU 3, or non-SNA)
 - Graphics local print
 - Printing with the Windows printer drivers
 - Print function by printer definition table (PDT)
 - Multiple host-print functions in multiple sessions
 - Print-job control by SNA bracket timeout
 - PDF-to-PDT conversion tool
 - PC400 print function by OS/400® and i5/OS Host Print Transform (HPT)
 - PC400 printing supported by the iSeries, eServer™ i5, and System i5 Advanced Print Support Utility
 - ZipPrint
- **Programming Interfaces**
 - 16/32-bit Emulator High-Level Language Application Programming Interface (EHLLAPI)
 - 16/32-bit Dynamic Data Exchange (DDE)
 - 32-bit Node Operations Facility (NOF)
 - 16/32-bit Personal Communications API (PCSAPI)
 - 32-bit Advanced Program-to-Program Communication (APPC)
 - 32-bit Common Programming Interface for Communications (CPI-C)
 - 32-bit Automation Object API
 - 32-bit ActiveX/OLE 2.0
 - ActiveX Controls
- **PC400 Client Function**
 - Data transfer
 - PC Organizer
 - Text Assist
 - Enhanced Programmable Terminal User Interface (ENPTUI)

Chapter 2. Problem Analysis

This chapter describes the information that will help you analyze problems with Personal Communications, and ways to report a problem to IBM. For detailed information about contacting IBM, refer to *Quick Beginnings*.

For information about Personal Communications and support, refer to the following Web sites:

- The Personal Communications home page provides access to general product information, and download services. To view this page, go to the following Internet address:
<http://www.ibm.com/software/network/pcomm>
- The Personal Communications support page provides links to code fixes, tips, newsgroups, support options, and services. To view this page or to submit a software defect report, go to the following Internet address:
<http://www.ibm.com/software/network/pcomm/support>

Personal Communications provides several utilities to help you with problem analysis. They can be invoked by selecting their icons from the **Programs** → **IBM Personal Communications** → **Administrative and PD Aids** subfolder on the Windows **Start** menu.

The following sections describe these utilities and how to use them.

Log Viewer

The Personal Communications log viewer utility enables you to view, merge, sort, search, and filter information contained in message and trace logs. Use the log viewer during problem analysis to work with message and trace log entries. The default name of the message log output file is PCSMSG.MLG; its file extension must be .mlg. The file extension for trace logs must be .tlg.

To view message or trace logs:

1. From the **Administrative and PD Aids** subfolder, click **Log Viewer**; or, from an active session, click **Launch** → **Log Viewer** from the **Actions** menu.
2. From the list of logged messages, double-click a message to display the message text.

Note: Only one message log is created per machine. In simultaneous user environments such as WTS, all user messages are logged into that single instance of the log file. See Chapter 7, “Using Windows Terminal Services,” on page 71 for more information about terminal services.

For more information about log viewer functions, see Chapter 10, “Log Viewer Functions,” on page 85.

Trace Facility

The Personal Communications trace facility enables you to log trace information for certain Personal Communications functions.

To start a trace, perform the following steps:

1. From the **Administrative and PD Aids** folder, click **Trace Facility**; or, from an active session, select **Launch → Trace Facility** from the **Actions** menu. The trace status on the title bar displays the current state:

Active Trace data is being collected by the trace facility.

Inactive No trace data is being collected.

2. From the main dialog box, click **Set Up** to set the desired trace system parameters.
3. Click **OK** to return to the main trace dialog box.
4. From the main trace dialog box, select the type of data you want to trace from the **Function Name**, **Component Name**, and **Trace Option** list boxes.

Function Name

A specific set of Personal Communications features, such as 3270/5250 Emulator or User Services.

Component Name

The name of a specific part of a function, such as API data (for the 3270/5250 Emulator function) or Node Initialization (for the User Services function).

Trace Options

The options associated with a particular component, such as EHLLAPI (for the API component) or API trace (for the Node Initialization component).

5. Start tracing data by clicking **Start**, or apply changes to the trace options by clicking **Apply**.
6. Run the operation that you want to trace.
7. Optionally, stop the trace by clicking **Stop**.
8. Save the trace data to your hard disk by clicking **Save**.
9. Click **Format** to specify a formatted trace file name and to format the trace data. The Information Bundler utility should be used immediately after the trace is complete to ensure that the correct information is gathered.

Note: If you have changed the default path setting for the formatted trace file, the Information Bundler will not find the trace information. Copy the trace files to the system-class application data directory.

10. Click **OK**.
11. Click **Clear** to clear the trace buffer where you saved a trace.
12. Use the log viewer to view the formatted trace log.

Note: Trace facility can capture only the application level (Ring 3) tracing, when logged on WTS environment, where the conso session ID is non-zero. If you want to trace the kernel level tracing (Ring 0), use the command line tracing options.

Information Bundler

The Personal Communications Information Bundler utility gathers system files, trace and log files, and registry information into a .ZIP file. This file can be sent to support personnel, using the Internet Service utility. The Information Bundler should be executed immediately after the trace is complete to ensure that the correct information is gathered.

Start Information Bundler using one of the following methods:

- Click **Administrative and PD Aids** → **Information Bundler** from the Personal Communications program menu.
- In an active emulator session, click **Actions** → **Launch** → **Information Bundler** from the menu bar.

The X12345.ZIP file is created in the Personal Communications system-class application data directory. This file contains system and Personal Communications information. Refer to the installation documentation for the location of the system-class application data directory for each Windows operating system.

Internet Service

The Internet Service utility enables you to send the diagnostic data output file generated by the Information Bundler to an FTP server. This utility will not work unless TCP/IP is configured and you have a direct connection to the internet. To use Internet Service, do the following:

1. Double-click the **Internet Service** icon located in the Personal Communications program group; or, from an active session, click **Actions** → **Launch** → **Internet Service**.

The Internet Service window contains four data fields that must have valid values before you can submit your problem report.

2. If IBM Service directs you to add an FTP address, type it in the **FTP Address** field. The default server is indicated by the (Default) prefix.
3. Type your e-mail address in the field provided.
4. In the **Problem Determination Filename** field, type the file name and path of the Information Bundler output file. This file is usually located in the Personal Communications application data directory specified during installation. You can also browse to the file by clicking the ... button.
5. In the **PMR Number** field, type the data file name, including the PMR number that you received from IBM Service. The format of the data file name is *xxxxx.bbb.ccc.yyy.yyy*, where the variables are as follows:
 - *xxxxx* is the PMR number
 - *bbb* is the Branch Office (if known)
 - *ccc* is the IBM Country Code
 - *yyy.yyy* is a short description for the file type, such as *exe*, *exe.Z*, *zip*, *tar.Z*, or *restore.Z*

Refer to the following file name examples:

```
99999.999.000.exe
88888.777.764.zip
11111.222.760.tar.Z
```

6. Click **Transmit** to submit your problem determination information.

Checking for APARs and Manufacturing Refreshes

Service updates (Manufacturing Refreshes and Fix Packs) can be found for Personal Communications on Fixcentral at <http://www.ibm.com/support/fixcentral/>.

Fix Packs

A fix pack is a cumulative APAR package containing all currently available APAR fixes. Fix packs are tested to ensure that the included APARs function well together. You can obtain fix packs using the APAR commit option in the Product Update Tool or by downloading the .msp file.

When you check for APARs, any available fix packs are also displayed. The corresponding .msp file is located in the same application data directory as APARs, with the specific fix pack name. You might be prompted to reboot the system.

To download fix pack files, go to the manufacturing refresh site—you will find a link to the latest fix pack, a list of included APARs, and installation instructions.

Refer to *Installation Guide* for information about applying fix packs to administrative installation images and local client installations.

Manufacturing Refreshes (MRs)

Manufacturing refreshes are packages containing a bundle of APARs and possibly new product options and improvements. For Personal Communications, new manufacturing refreshes are cumulative. To check for manufacturing refreshes, click **Check for MRs** in the Product Update Tool.

Installing a manufacturing refresh is similar to a reinstallation of the product (removing old product files and installing new files); therefore, there is no test and commit process available for manufacturing refreshes. To remove a manufacturing refresh, your only option is to uninstall the current Personal Communications product level, then reinstall the prior level.

You can obtain manufacturing refreshes only if you have purchased a full version of the product. This is validated by entering a service key, which is included in the original package of Personal Communications. When you check for manufacturing refreshes, your Internet browser opens to the manufacturing refresh site, where you are prompted to enter your registration data and service key. When registration is complete and the service key is entered, you can select the product, version, and language for which you need the manufacturing refresh update.

Note: A manufacturing refresh file is usually larger than 100 MB.

Part 2. Advanced Configuration, Management, and Operations

Chapter 3. Advanced Configuration

This chapter describes facilities useful for deploying Personal Communications in large networks. Some of these facilities are handled by features of Personal Communications itself, while others are provided by external products, augmented with facilities provided by Personal Communications.

Configuration Files

The following sections describe the advanced configurations that you can make with the built-in files of Personal Communications. Advanced configurations enable you to easily configure and distribute common keywords and parameters to your client base, and include the following:

- Initial Configuration Definitions
- Configuration with Template and Update Files

Initial Configuration Definitions

Personal Communications enables network administrators to create an initial configuration definitions file that contains common configuration definitions for their clients. By using an initial configurations file, the administrator can distribute preconfigured definitions and have them automatically preloaded whenever a new configuration is created on a client.

The first step is to create a configuration using SNA node configuration, Start or Configure Sessions, or an ASCII editor. For detailed information on configuring sessions, refer to *Quick Beginnings*.

After you create the configurations file, rename the file to the appropriate reserved name. For SNA node configuration files (*.ACG), the file name is PCSINIT.AC\$. For workstation profiles (*.WS), the file name is PCSINIT.WS\$. For emulator configurations using SNA communication, you should use both a PCSINIT.WS\$ and a PCSINIT.AC\$ file.

After you rename the files, they can be distributed to client workstations. Put the files in the configuration files directory. The definitions in the files will be preloaded whenever a user creates a new configuration.

Note: The initial configuration file does not override parameter defaults for new definitions in new configurations, but preloads complete definitions into new configurations. Users can modify these definitions to get custom parameter values; however, the original initial configuration file remains unchanged.

Configuration File and Emulator Profile Directories

The default directory for configuration files is specified during installation. Configuration files can be used for all users or a specific user. Refer to *Installation Guide* for details on specifying the initial default directory.

By default, Personal Communications searches for emulator profiles in the configuration files directory. You can use the **User Preference Manager** utility to indicate a different location for profiles.

Using Template and Update Files

When creating configurations for a large number of clients to implement, you can create a template configuration file that represents the common configuration elements for all clients. Using an update file with only those changes necessary for each client, you can distribute the template and update file and merge the two to create the target configuration.

The Personal Communications Server template and update files enable you to create or modify a configuration using an ASCII editor. You can configure all of the Personal Communications configuration keywords and parameters with update files. Both the template and update files have the same format as Personal Communications configuration (.ACG) files.

Template files can ease the mass distribution of configurations to remote clients. A template file can specify the keywords which are common to several clients. For example, if you have multiple clients to configure as SNA clients, many of the keywords will be identical. You can create a template configuration file that reflects those common keywords.

You can use update files to add, modify, or delete keywords in a template file. The original template configuration file is left unchanged. An update file is merged into a template file by specifying the INCLUDE keyword at the end of the template file. For example, if an update file is named myconfig.chg, the last line of the template file that will use the update file is INCLUDE=myconfig.chg. When the template file and the update file are merged, you can give the resulting configuration file a name with the .ACG extension that distinguishes it from other .ACG files.

When you create configurations using template and update files, the verification utility searches directories in the following order:

1. The local directory where the verification utility is being invoked
2. The system-class application data directory

To ensure that the verification utility can locate the template and update files, you should store them in the system-class application data directory, which is also where the configuration (.ACG) files are stored.

Key Fields

The key field is the parameter in a keyword that names the keyword and uniquely identifies it from other keywords of the same type.

Some keywords do not have key fields because they can only be specified once in a configuration file. An example of a keyword that can only be specified once is the NODE keyword.

Adding Keywords to a Template File

When using an update file to add a new keyword definition, you must provide the entire keyword. The key field must be provided along with a unique value. If any subfields are omitted from the keyword, the defaults for those fields are used. For example, to add a MODE keyword to the configuration, the update file might contain the following keyword:

```
MODE=(
  MODE_NAME=MYMODE
  COS_NAME=#INTER
  CRYPTOGRAPHY=NONE
  DEFAULT_RU_SIZE=1
```

```

MAX_NEGOTIABLE_SESSION_LIMIT=128
MAX_RU_SIZE_UPPER_BOUND=4096
MIN_CONWINNERS_SOURCE=15
)

```

The content of the update file assumes that a MODE keyword with the parameter of MODE_NAME=MYMODE does not exist in the template. If it does, the parameters will be updated with the values provided in the update file.

If the MODE_NAME parameter is omitted from the update file, an error will occur during the configuration verification because the MODE_NAME parameter cannot be uniquely identified. Not all parameters available for the MODE keyword are specified in the update file. The remaining parameters use the defaults as specified in *Configuration File Reference*. The resulting addition to the configuration will look like this:

```

MODE=(
  MODE_NAME=MYMODE
  AUTO_ACT=0
  COMPRESSION=PROHIBITED
  COS_NAME=#INTER
  CRYPTOGRAPHY=NONE
  DEFAULT_RU_SIZE=1
  MAX_NEGOTIABLE_SESSION_LIMIT=128
  MAX_RU_SIZE_UPPER_BOUND=4096
  MIN_CONWINNERS_SOURCE=15
  PLU_MODE_SESSION_LIMIT=32
  RECEIVE_PACING_WINDOW=1
)

```

Modifying a Keyword in a Template File

When using the update file to modify an existing keyword definition, the original keyword should exist in the template file. If it does not exist in the template file, the update file adds an entry to the new configuration. You must specify the key parameter in the update file to identify the target keyword. Only those parameters specified in the update file keyword are updated in the template file's keyword. Parameters not specified in the update file are left unchanged. For example, if the following MODE keyword is in the template file:

```

MODE=(
  MODE_NAME=#INTER
  AUTO_ACT=0
  COMPRESSION=PROHIBITED
  COS_NAME=#INTER
  CRYPTOGRAPHY=NONE
  DEFAULT_RU_SIZE=1
  MAX_NEGOTIABLE_SESSION_LIMIT=256
  MAX_RU_SIZE_UPPER_BOUND=4096
  MIN_CONWINNERS_SOURCE=128
  PLU_MODE_SESSION_LIMIT=256
  RECEIVE_PACING_WINDOW=20
)

```

and the following keyword is specified in the update file:

```

MODE=(
  MODE_NAME=#INTER
  AUTO_ACT=10
)

```

the resulting configuration would have the following MODE keyword definition:

```

MODE=(
  MODE_NAME=#INTER
  AUTO_ACT=10
)

```

```

    COMPRESSION=PROHIBITED
    COS_NAME=#INTER
    CRYPTOGRAPHY=NONE
    DEFAULT_RU_SIZE=1
    MAX_NEGOTIABLE_SESSION_LIMIT=256
    MAX_RU_SIZE_UPPER_BOUND=4096
    MIN_CONWINNERS_SOURCE=128
    PLU_MODE_SESSION_LIMIT=256
    RECEIVE_PACING_WINDOW=20
)

```

Deleting a Keyword from a Template File

When using the update file to delete a keyword from the template, you must specify the key parameter and value that identify the keyword, along with the keyword DELETE. For example, if the template file specifies the following keyword:

```

MODE=(
    MODE_NAME=#INTER
    AUTO_ACT=0
    COMPRESSION=PROHIBITED
    COS_NAME=#INTER
    CRYPTOGRAPHY=NONE
    DEFAULT_RU_SIZE=1
    MAX_NEGOTIABLE_SESSION_LIMIT=256
    MAX_RU_SIZE_UPPER_BOUND=4096
    MIN_CONWINNERS_SOURCE=128
    PLU_MODE_SESSION_LIMIT=256
    RECEIVE_PACING_WINDOW=20
)

```

and the response file contains the following keyword:

```

MODE=(
    MODE_NAME=#INTER
    DELETE
)

```

the resulting configuration does not contain the #INTER mode definition.

The DELETE keyword can appear after a *parameter=value* specification or on a line by itself, either preceding or following the parameter. For example, the following uses of the DELETE keyword are valid:

```

MODE=(
    MODE_NAME=#INTER
    DELETE
)
MODE=(
    DELETE
    MODE_NAME=#INTER
)

```

The DELETE keyword cannot appear in front of a *parameter=value* specification on the same line. For example, the following uses of the DELETE keyword are not valid:

```

MODE=(
    DELETE MODE_NAME=#INTER
)

MODE=(
    MODE_NAME=#INTER DELETE
)

```


To delete all keywords of a particular type, or to delete one keyword that does not have a key field, only the keyword and the DELETE keyword are necessary. For example,

```
MODE=(  
    DELETE  
)
```

Note: Not all keywords can be deleted; only those which are not listed as required can be deleted—refer to *Configuration File Reference* for details.

Applying Updates to Configuration Files

To update or change an existing SNA configuration file using an update file, do the following:

1. Using a text editor, create an update file that contains keywords to be added, deleted, or changed in an existing SNA node configuration file.
2. Add an include statement at the bottom of the existing SNA node configuration or template indicating the name of the update file.
3. Invoke the SNA Configuration Verification utility by typing the following on the command line:

```
vacgcon config.acg newconfig.chg
```

config.acg

The existing configuration file

newconfig.chg

The new configuration file

You must remove the include statement to reuse your template as a configuration file.

Note: When an update file does not contain a complete, usable configuration, it is recommended that you use an extension other than .ACG.

Configuring Multiple Links

Many customers must attach to multiple iSeries, eServer i5, System i5®, or zSeries® mainframe systems. Personal Communications allows this type of configuration. The following sections explain how to do this.

Note: You do not need to read this section if you want to create multiple sessions on the same host.

Configuring a Second 3270 Emulation Link

Recommendation

If you want a second SNA connection (link) to run concurrently, we strongly recommend that you configure it in the same .ACG file as the first one; this will avoid any possible conflict of settings.

Perform the following steps to configure a second 3270 emulation link. You can make the configuration even if the first link is active.

1. Double-click the **Start or Configure Sessions** icon to start a new session; or click **Configure** from the **Communication** menu.
2. Choose the host, interface, and attachment type, as usual.

3. Configure the session parameters, then click **Configure Link**.
4. In the Configure Local System panel, check that the default .ACG file is the one in which you saved the configuration for the first link. If not, click **Existing** and choose the correct file from the list.
5. Check that the settings for the PC Location Name are correct. Click **Next**.
6. The LAN Device Connection panel appears. Under Device Selection, be sure that the device used for the first link is displayed. Under Connection Selection, select **New Connection**. Notice that the connection name has changed to show a new link name. Click **Next**.
7. The Configure LAN Connection panel is displayed. The Destination Address field will show 400000000000. Enter the Destination Address for the second link, and change the additional parameters if needed.
8. Click **Advanced**.
9. The Advanced dialog panel shows the default values for block ID and PU ID. Change them as necessary to the values for the second link. Click **OK**.
10. Click **Next**, then **Finish**, and save the .ACG file (replace the existing file). Then click **OK** until you return to the session window. If you have done everything correctly, and if the gateway or controller is running, you should get a connection.

You can add further 3270 links in the same way.

Configuring a Second 5250 Emulation Link

The steps you should follow to configure a second 5250 emulation link are almost the same as for 3270. You can make the configuration even if the first link is active.

1. Double-click the **Start or Configure Sessions** icon to start a new session; or click **Configure** from the **Communication** menu.
2. Choose the host, interface, and attachment type, as usual.
3. Configure the session parameters, then click **Configure Link**.
4. In the Configure Local System panel, check that the default .ACG file is the one in which you saved the configuration for the first link. If not, click **Existing** and choose the correct file from the list.
5. Check that the settings for the first link are correct. Click **Next**.
6. The Configure Logical Connection panel appears, showing the settings for the first link. If you are going to connect to a different iSeries, eServer i5, or System i5, change the System Location Name. Click **Next**.
7. The Configure LAN Connection panel appears. If the Link Station Name has not changed, change it.
8. Change the Destination Address (and the other parameters if necessary). If you want to change the Local SAP number or the Receive Buffer Count, (which is unlikely), click **Advanced**. If not, click **Next**, then **Finish**, and save the .ACG file (replace the existing file), then click **OK** until you return to the session window.

You can add further 5250 links in the same way.

Configuring a Second Link of a Different Kind

The procedure for configuring other links is similar to those for the configurations for 3270 and 5250 link configurations. This procedure applies whether you are going to configure two (or more) links that use the same connection type, or links that use different connection types. In this example, assume that you have already

configured a 3270 connection and now want to add a 5250 connection. As before, you can make the configuration even if the first link is active.

1. Double-click the **Start or Configure Sessions** icon to start a new session; or click **Configure** from the **Communication** menu.
2. Choose iSeries, the LAN interface and the IEEE 802.2 attachment type.
3. Configure the session parameters, then click **Configure Link**.
4. In the Configure Local System panel, check that the default .ACG file is the one in which you saved the configuration for the 3270 link. If not, click **Existing** and choose the correct file from the list. Notice that the PC Location Name is already there. Click **Next**.
5. The Configure Logical Connection panel appears. Enter the System Location Name and click **Next**.
6. Notice that the Link Station Name has changed. Enter the Destination Address of the iSeries, eServer i5, or System i5. Click **Next**, then **Finish**, and save the .ACG file (replace the existing file); then click **OK** until you return to the session window.

Configuring to Perform 3270 and 5250 Emulation to Multiple Hosts

To configure Personal Communications to perform 3270 and 5250 emulation to multiple hosts, use the following procedure:

1. Click **Actions** → **Launch** → **SNA Node Configuration** of your active session; or click **SNA Node Configuration** from the **Program** → **IBM Personal Communications** folder on the Windows **Start** menu.
2. Configure the node information, as follows:
 - a. Click **Configure Node** from the list of **Configuration** options.
 - b. Click **New**.
 - c. In the **Fully qualified CP name** field, enter the Network ID and CP name that is defined for you on the iSeries, eServer i5, or System i5 (APPN.TEST, for example).

Note: If the iSeries, eServer i5, or System i5 is performing automatic configuration, the value you enter here is ignored. However, it is still necessary to enter a value in the field to close the panel.

- d. Click **OK**.
3. Configure the device information, as follows:
 - a. Click **Configure Devices** from the list of **Configuration** options.

Note: The dialog displays the device adapters that are installed and indicates whether each adapter is enabled or disabled.

- b. Click **LAN** from the list of available DLCs.

Note: These instructions are based on the LAN DLC; the field names and tabs might be slightly different if you are configuring another type of DLC.

- c. Click **New**.
 - d. Specify the adapter number for the connection.
 - e. Click **OK**.
4. Configure the connection information, as follows:
 - a. Click **Configure Connections** from the list of **Configuration** options.

- b. Click **LAN** from the list of available **DLCs**.
 - c. Click **New**.
 - d. Enter the Link station name (default is LINK0000) and click the LAN device (for example, LANX_04) that you selected from the list of available DLCs. This link will be defined for the 5250 session to the iSeries, eServer i5, or System i5.
 - e. Enter the LAN destination address of the iSeries, eServer i5, or System i5.
 - f. Click the **Advanced** tab.
 - g. Verify that **Activate at startup** is selected.
 - h. Verify that **APPN support** is selected.
 - i. If you plan to use 3270 passthrough on this connection, click **Solicit SSCP sessions**.
 - j. Click **OK** to save the information.
5. Configure the second link for the 3270 session, using the following procedure:
 - a. Click **New**.
 - b. Enter the Link station name (default is LINK0001) and select the same device you used to define the 5250 session (for example, LANX_04). This link will be defined for the 3270 session to the host.
 - c. Enter the LAN destination address of the host.
 - d. Click the **Advanced** tab.
 - e. Verify that **Activate at startup** is selected.
 - f. Verify that **APPN support** is selected.
 - g. Click **Solicit SSCP sessions**.
 - h. In the **Local Node ID** field, enter the Block ID and Physical Unit ID that identifies the device.
 - i. Click the **Adjacent Node** tab.
 - j. Click **HOST-XID3** from the list of **Adjacent CP** types.
 - k. Click **OK**.
 6. Configure the Partner LU 6.2 information, as follows:
 - a. Click **New**.
 - b. Enter the Partner LU name, such as APPN.S101010. This is the name of the iSeries, eServer i5, or System i5; this information can be obtained by running a DSPNETA on the iSeries, eServer i5, or System i5.
 - c. Click **OK**.
 7. Save the configuration information, as follows:
 - a. On the SNA Node Configuration window, click **Save As** from the **File** menu.
 - b. Enter a file name with a .ACG file extension, such as TEST.ACG. Click **Yes** to make this configuration the default.
 - c. Click **Exit** on the **File** menu.
 8. Start the 5250 emulator session, using the following procedure:
 - a. Click **Program** → **IBM Personal Communications** → **Start or Configure Sessions** from the Windows **Start** menu.
 - b. Click the **iSeries** host, the **LAN interface**, and the **IEEE 802.2 attachment**.
 - c. Click **Configure**.
 - d. Click **Configure Link**.
 - e. Click **Existing**.

- f. Click the configuration you saved in step 7 from the list and click **Open**.
 - g. Click **Next**.
 - h. Verify that the System location name matches the name you specified in step 6. Click **Next**.
 - i. In the **Device name** field, select the device name you defined in step 3. Click **Next**.
 - j. In the **Link station name** field, select the name you defined in step 4, such as LINK0000. Click **Next**.
 - k. Click **Finish**.
 - l. Click **Save** and then click **Yes** to overwrite the existing file.
 - m. Click **OK** to close the Customize Communication - 5250 Host window and then click **OK** to close the Customize Communication window and start the 5250 session.
9. Save the workstation profile for the 5250 session, as follows:
 - a. Click **Save As** from the **File** menu on the emulator window.
 - b. Enter a file name with a .WS extension and click **OK**.
 - c. If you want the ability to start this session separately, click **Yes** to create an icon; otherwise, click **No**.
 - d. Click **OK**.
 10. Start the 3270 emulator session, using the following procedure:
 - a. Click **Program** → **IBM Personal Communications** → **Start or Configure Sessions** from the Windows **Start** menu.
 - b. Click the **zSeries** host, the **LAN interface**, and the **IEEE 802.2 attachment**.
 - c. Click **Configure**.
 - d. Click **Configure Link**.
 - e. Click **Existing**.
 - f. Select the configuration you saved in step 7 from the list and click **Open**.
 - g. Click **Next**.
 - h. In the **Device name** field, select the device name you defined in step 3. Click **Next**.
 - i. In the **Link station name** field, select the name you defined in step 5, such as LINK0001.
 - j. Click **Advanced**.
 - k. Clear **APPN support** and click **OK**.
 - l. Click **Next**.
 - m. Click **Finish**.
 - n. Click **Save** and then click **Yes** to overwrite the existing file.
 - o. Click **OK** to close the Customize Communication - 3270 Host window and then click **OK** to close the Customize Communication window and start the 3270 session.
 11. Save the workstation profile for the 3270 session, as follows:
 - a. Click **Save As** from the **File** menu on the emulator window.
 - b. Enter a file name with a .WS extension and click **OK**.
 - c. If you want to start this session separately, click **Yes** to create an icon; otherwise, click **No**.
 - d. Click **OK**.

12. Create a batch file to start both the 5250 session and the 3270 session at the same time, using the following procedure:
 - a. Close both running emulator sessions.
 - b. Click **Utilities** → **Multiple Sessions** from the Personal Communications program menu.
 - c. From the list of workstation profile files, select the .WS file for the 5250 session (step 9). Click **Add**.
 - d. From the list of workstation profile files, select the .WS file for the 3270 session (step 11). Click **Add**.
 - e. Click **Save As** from the **File** menu and enter a file name with a .BCH extension to save the batch file. Click **OK**.
 - f. Click **Yes**. Verify that the folder is the DESKTOP and select both check boxes. Click **OK**.
 - g. Click **Exit** from the **File** menu.
13. To start the 5250 and 3270 emulator sessions together, double-click the **Batch File** icon on your Desktop.

Automatic Device Name Generation (5250 Only)

The Telnet 5250 client function can generate a new and non-arbitrary DEvIce NAME (DEVNAME) for a session without requiring per-session profile (.WS) customization or a user exit.

You can use keywords and special characters in the WorkStationID (WID) field (in the [5250] stanza of the Workstation profile) to cause some or all of the following information to be substituted into the DEvIce NAME value that is sent to the TN5250 server:

- Computer name or user name
- Short session ID
- Session type ID
- Collision avoidance ID

When specified, the Collision Avoidance ID enables the generation of a new DEvIce NAME if the Telnet server rejects a submitted name (which can occur when the old name is already in use on the iSeries, eServer i5, or System i5). The ability to have a variety of names generated allows multiple sessions to the same iSeries, eServer i5, or System i5 from one or more clients using just one WorkStation Profile (.WS) file. The definition of the existing .WS file parameter WorkStationID in the [5250] stanza is extended to accomplish this.

Substitution Characters

You can use special substitution characters in the WID field to control the placement of the generated information into the DEVNAME field. One substitution character is used in the WID for each generated character. This reserves space in the DEVNAME for each generated character and indicates where each generated character is to be placed. The three special substitution characters are:

Short Session ID

(value range: A-Z or a-z) The special character signifying this in the WID is the asterisk (*).

Example:

If the WorkstationID is configured as 123* and the short ID of the first session is A, then the device names generated for the first three sessions will be 123A, 123B, and 123C.

Session Type ID

(possible values: S for diSplay or P for Printer) The special character signifying this in the WID is the percent sign (%).

Example: If the Workstation ID is configured as %123* and the session type is Printer, then the first three device names generated would be P123A, P123B, and P123C.

Collision Avoidance ID

(value range: 1-9, A-Z or a-z) The Collision Avoidance ID (CAID) is used by the device name collision (DNC) function (see "Device Name Collision Processing" on page 24) to generate a new DEVice NAME when the old name is rejected by the Telnet server as already being in use. The special character signifying this in the WID is the equals sign (=).

Example: If the Workstation ID is configured as %ABC=, the session type is Display, and the device name SABC1 is already in use on the iSeries, eServer i5, or System i5, then the first generated device name (SABC1) will be rejected by the server, but the second name (SABC2) will be accepted.

Client Naming Function

If you specify a Client Naming (CN) substitution keyword in the Workstation ID (WID) field, then an external name is retrieved and used when generating the DEVice NAME.

The CN keywords are prefixed with the ampersand character (&), followed by a five character identifier. Two keywords are supported:

&COMPN

Windows COMPuter Name for the client

&USERN

USER Name specified during logon to the Windows computer where the emulator executes

A name whose length exceeds the space remaining in the 10 character long DEVNAME field will have that excess trimmed from the left side by default. Excess characters can alternatively be trimmed from the right side by prefixing the CN keyword with a plus sign (+) character (for example, +&COMPN).

Notes:

1. If the specified name cannot be obtained, then the message Unable to get the local "x" name (where "x" is COMPN or USERN) is displayed in the status bar.
2. If a client naming keyword is specified in the WID, then characters other than those defined for this feature are ignored.
3. A numeric character in the first position of a DEVNAME is invalid, and may be converted by the iSeries, eServer i5, or System i5 to the pound (or number) character (#).

Example A: If the Workstation ID is &COMPN* and the name of the local computer is `clientaccess1`, then the device names generated for the first three sessions would be `ntaccess1A`, `ntaccess1B`, and `ntaccess1C`.

Example B: If the Workstation ID is +&COMPN*% and the name of the USER logon for the local computer is `clientaccess1`, then the device names generated for the first three sessions would be `clientaccA`, `clientaccB`, and `clientaccC`.

Device Name Collision Processing

Device name collision occurs when a Telnet client sends the Telnet server a virtual device name, but that device name is already in use on the server. When this occurs, the Telnet server sends a request to the client asking it to send a different DEVNAME.

Device name collision (DNC) processing handles requests from the server for a different DEVNAME. If the collision avoidance ID (CAID) substitution character is present in the WID, the CAID is incremented and sent as part of the new DEVNAME to the server.

If the server requests a different DEVNAME and the CAID is not present in the WID, then the error message Device Name "x" is invalid or already in use on the server is displayed on the status bar and the session is disconnected.

Commands for Emulator Functions

Personal Communications provides the following commands for managing Personal Communications sessions:

PCOMSTRT

Start a Personal Communications session

PCOMSTOP

Stop a Personal Communications session

PCOMQRY

Query Personal Communications sessions

Start a Personal Communications Session

The command PCOMSTRT has the following parameters:

/p Name of workstation profile to start (required). The syntax is `/p=workstation-profile`. You can specify the workstation profile as either the path (drive, directory, and file name) or just the file name, in which case the location of the workstation profile file is the user-class application data directory.

Note: If multiple `/p` parameters are given, PCOMSTRT only uses the last one to start a profile (.WS file).

/s Session letter of the session to start. The syntax is `/s=session-letter`. This is optional. If omitted, the first available session letter is used.

/w Session window startup state. The syntax is `/w={0|1|2|3}`.

0 Hidden

1 Normal (default)

- 2 Minimized
- 3 Maximized
- /q** Quiet mode. In quiet mode, PCOMSTRT does not write any messages to stdout.
- /nowait**
Do not wait for session to start. The **/nowait** option tells PCOMSTRT to complete execution without waiting until the emulator session is started. There is no **/wait** option; the default is to wait until the session is started.
- /?** Displays help information.

Returns: DOS Error level is set for use when this command is invoked by a program. When the command is directly entered, a message indicating the session is starting is displayed.

Stop a Personal Communications Session

The command PCOMSTOP has the following parameters:

- /s** Session letter of session to stop. The syntax is **/s=session-letter**. This is optional. If omitted, the first available session letter is used.
- /all** Stops all sessions
- /NCE** Stops all or specific session without confirmation, even if the confirmation on exit or exit all option are set.
- /q** Quiet mode. In quiet mode, PCOMSTOP does not write any messages to stdout.
- /?** Displays help information.

Returns: DOS Error level is set for use when this command is invoked by a program. When the command is directly entered, a message is displayed indicating the session is stopping.

Query Personal Communications Sessions

The command PCOMQRY has the following parameters:

- /s** Session letter of session to query, The syntax is **/s=session-letter**. This is optional. If omitted, the first available session letter is used.
- /all** Queries all sessions.
- /q** Quiet mode. In quiet mode, PCOMQRY does not write any messages to stdout.
- /nowait**
Do not wait for session to query. The **/nowait** option tells PCOMQRY to complete execution without waiting until the emulator session is queried. There is no **/wait** option; the default is to wait until the session is queried.
- /?** Displays help information.

Chapter 4. Attachment Considerations and Adapter Setup Information

This chapter describes factors you should consider when configuring Personal Communications for the following attachment types:

- “IBM-EEDLC”
- “TCP/IP Connection” on page 28
- “SDLC MPA Attachment” on page 29
- “IBM Global Network - SNA over Async Attachment” on page 30
- “IBM Global Network Connection Attachment” on page 30
- “Home3270 Attachment” on page 31
- “3270 Attachment via the iSeries System” on page 32
- “IBM PC720 Modem Initialization (Japan only)” on page 32
- “5250 Asynchronous Console” on page 32

This chapter also contains information about setting up communications adapters (for example, MPA, SDLC). See the following topics:

- “Creating and Updating Devices in Windows XP” on page 33
- “MPA Adapters” on page 33
- “OEM Adapters” on page 35

Attachment Information

IBM-EEDLC

This section provides information, considerations, and restrictions for the Personal Communications IBM-EEDLC attachment.

TCP/IP Protocol Driver

You must set up your Windows environment for the TCP/IP network. To verify that the TCP/IP protocol is installed on your workstation, view the properties for your network connection. Confirm that TCP/IP appears in the list of components for the connection. You can modify the TCP/IP properties, such as the IP address.

Concurrent IPv4 and IPv6 connections

For EEDLC, you can configure the link either by IP address or host name and run IPv4 and IPv6 connections concurrently.

1. For Enterprise Extender (HPR/IP), the ports at both ends of a link must use the same addressing format (IPv4 or IPv6).
2. If Communications Server for Windows uses IPv4, it can connect only to remote systems that are configured to support IPv4.
3. If Communications Server for Windows uses IPv6, you can configure it to use either IPv4 or IPv6, provided you have configured the respective Enterprise Extender port on the server. The option you choose must match the configuration at the remote system.
4. All links on the same Enterprise Extender port must use the same addressing format (IPv4 or IPv6).

5. If you need to support links with different addressing formats, you must use separate ports. Similarly, all Enterprise Extender ports on the same connection network must use the same addressing format.

TCP/IP Connection

This section provides information, considerations, and restrictions for Personal Communications TCP/IP connections.

TCP/IP Protocol Driver

You must set up your Windows environment for the TCP/IP network. To verify that the TCP/IP protocol is installed on your workstation, double-click **Network** in your Control Panel and see if TCP/IP appears in the list of network components. Double-click **TCP/IP** to specify your IP address and other TCP/IP properties. You have to install IPv6 protocol to make use of IBM-EEDLC (IPv6) feature.

Screen Size

The following four screen sizes are supported for TN3270:

- 24x80
- 32x80
- 43x80
- 27x132

The following two screen sizes are supported for TN5250:

- 24x80
- 27x132

Screen sizes 48x80, 62x160, and 24x132 are supported if your server/host supports the TN3270E protocol.

Terminal Type to Be Negotiated with TN3270

The terminal type to be negotiated is set to IBM-3278-2-E, IBM-3278-3-E, IBM-3278-4-E, or IBM3278-5-E according to the screen size that is specified on the **Customize Communication** 3270 Host panel. If you need to specify IBM-3279-2-E or IBM-3279-3-E (for graphics), add the following line to the [Telnet3270] section in the workstation profile (.WS):

```
TerminalType=3279
```

TN3287 and TN3270E Connection

TN3287 (defined in RFC 1646) and TN3270E (defined in RFC 1647) were tested with following Telnet servers:

- Communications Server for Windows
- Communications Server for OS/2®
- TN3287 Brixton PU2.1 V3.0
 - SNA Client Access for AIX® Version 1 Release 2
 - IBM Communications Server for OS/2 Warp
- TN3270E Brixton PU2.1 V3.0
 - SNA Client Access for AIX Version 1 Release 2
 - IBM Communications Server for OS/2 Warp
- Microsoft SNA Server

Other TCP/IP Functions

Backup Server/Host with LU Name and Port Number: Personal Communications enables you to specify up to two backup host or server names to connect to. This

provides easier connections when the primary host or server cannot be reached. You can also specify a specific LU name or port number unique to that server or host.

Service Location Protocol: Personal Communications enables connection to SLP servers that are RFC 2165 compliant. This function eliminates the need for users to know the name of a network host supporting a specific service. SLP implementation for a Personal Communications client allows load balancing and dynamic location of a specific LU or LU pool across a group of servers. IBM Communications Server for Windows V6.1.x and V6.4 currently supports SLP. This support can be used in conjunction with SSL support.

SDLC MPA Attachment

This section describes factors you should consider when configuring Personal Communications with an SDLC attachment.

Line Speed

For the SDLC attachment, a line speed up to 28.8 Kbps is supported. However, actual line speed will vary depending on the carrier speed the modem supports.

V.25bis Autodial

Personal Communications only supports the bit-oriented protocol for V.25bis call control messages. Modems must support an ASCII-coded character set consisting of 7-bit coded ASCII characters with odd parity.

Personal Communications supports the following adapters:

- Multiprotocol (MPA) interface compatible adapters, for example:
 - IBM Multiprotocol Communications Adapter (73G7099)
 - IBM Multiprotocol Adapter/A (645114 or later)
 - IBM SDLC/Async Communications Adapter (ASCA) (42H4332)
- IBM SDLC PCMCIA adapter (Japan only)
- IBM SDLC PCMCIA modem (Japan only)
- IBM PCI Multiprotocol Adapter (12J2981)

Performance Considerations

If you use multiple sessions in a high-speed and high-load configuration with an SDLC attachment, the connection to the host might fail. In this case, set the host's timeout value to be greater than that of Personal Communications.

- To change the host timeout value, modify the following NCP parameters:

REPLYTO

The maximum duration in seconds that the host waits for a reply from the terminal. The default is 1 second.

RETRIES=(m,t,n)

The number of recovery attempts for errors occurring during transmission over the link. Repetitive retries are called a retry sequence. The maximum number of retries is specified as *m*, which can be from 0 to 128. NCP pause (the time between the retry sequences) is specified as *t* and can be from 1 to 255 seconds. The maximum number of retry sequences is specified by *n* and can be from 1 to 127. For example:

```
REPLYTO=1, RETRIES=(3,4,5)
(( 1(seconds) x 3(times) + 4(seconds)) x 5(times)
= 35 (seconds)
```

Note: In this example, the host waits 35 seconds for the terminal to reply.

For more details, ask your system personnel.

- To change the Personal Communications timeout value, type a new value in the Inactivity timer field on the Performance page of the Connections property sheet in SNA Node Configuration.

The value is in seconds and can be from 40 to 160. The default is 80.

PIU Size: This value is negotiated between your workstation and the host system, unless `XID=No` is defined on the PU, or the Adjacent CP type has been changed to `Host - XID0` in SNA Node Configuration. If this value is not negotiated, the Maximum PIU Size must match the `MAXDATA` value defined on the host system.

Receive Window Count: This value is negotiated between your workstation and the host system, unless `XID=No` is defined on the PU, or the Adjacent CP type has been changed to `Host - XID0` in SNA Node Configuration. If this value is not negotiated, the Receive Window Count must match the `MAXOUT` value defined on the host system.

IBM Global Network - SNA over Async Attachment

IBM Global Network - SNA over Async is supported using 8-bit no parity; SNA session-level compression and decompression is not supported.

Line Speed

Line speeds up to 115.2 Kbps are supported. However, the maximum usable line speed depends on the speed of the processor or communication port. If communication stops or becomes exceedingly slow, reduce the line speed.

Updating Phone List

To update the phone number list for IBM Global Network SNA over Async, do the following:

1. Click the **Use Phone Book** button on the **Define a Com Port Connection** panel.
2. Click the **Download Phone Numbers** button.

Personal Communications FTPs to the IGN server and downloads the phone number file and converts it to the correct format.

Note: A Proxy must be configured in order for this procedure to work.

IBM Global Network Connection Attachment

Note: This attachment type is not available in Japan.

IBM Global Network Connection supports only a single communication port.

Line Speed

IBM Global Network Connection supports up to 115.2 kbps as the line speed. However, the maximum usable line speed depends on the speed of the processor or communication port. If communication stops or becomes exceedingly slow, reduce the line speed.

Updating Phone List

To update the phone number list for IBM Global Network SNA over Async, click the **Download Phone Numbers** button from the **Configuration** panel. When this

button is selected, Personal Communications FTPs to the IGN server and downloads the phone number file and converts it to the correct format.

Note: A Proxy must be configured in order for this procedure to work.

Restrictions

You cannot use the following functions:

- Import/Export
- Host graphics
- Host print
- Server-Requester Programming Interface (SRPI)
- Concurrent multiple file transfers

Home3270 Attachment

Because Home3270 supports only a single COM port, only one session is available for use at a time.

Setting the Screen Colors in a Home3270 Session

Because protocol converters translate the 3270 (EBCDIC) data stream into an ASCII data stream, the original information about the 3270 fields is lost, and all the field attributes of the 3270 screen are treated as extended attributes. Because of this, you must select the **Extended Color** category in order to change the colors of characters on the screen. Changing base colors will have no effect.

For example, if you want to change the color of characters that appear in green on a black background, select **Extended Color - Green**, then click or drag-and-drop the color you want for the characters (and for the background if you wish). Do not change the appropriate **Base Color** because the change will have no effect.

Line Speed: Line speeds up to 115,200 bps are supported. However, characters might be lost on high-speed lines, depending on the processor speed. If communication stops or becomes exceedingly slow, reduce the line speed.

Unsupported Character Sequences: The following character sequences are valid for the Home3270 attachment. However, they perform no function.

- ESC P 1 (Block cursor command)
- ESC P 0 (Underline cursor command)
- DLE DC2 (Printer start command)
- DLE DC4 (Printer end command)

Conditions for Communication Check 50x: Home3270 requires both Data Set Ready (DSR) and Carrier Detect (CD) to determine the state of the attachment with the host system. If DSR is not recognized, communication check 501 appears in the operator information area. When DSR is recognized and CD is not recognized, communication check 504 appears in the operator information area.

When you select ROLMphone with DCM in the Home3270 configuration, communication check 504 does not appear.

Home3270 and OIA message COMM 504: If you run Home3270 sessions at a speed of 28.8 kbps or higher and the session disconnects with a COMM504 in the OIA, try lowering the port speed to equal the line speed of the Protocol Converter you are connecting to.

Note: DBCS is not available with this attachment.

Restrictions: The following functions are not available with this attachment:

- Host graphics
- Host print
- Server Requester Programming Interface

3270 Attachment via the iSeries System

This section provides information, considerations, and restrictions for PC/3270 connections through an iSeries, eServer i5, or System i5 system.

iSeries, eServer i5, or System i5 Setup

PC/3270 can connect to a host computer through one or more iSeries, eServer i5, or System i5 systems by using the passthrough function (usable with OS/400 Version 2.2.0 or later, or with i5/OS®).

To use this function, set the following communication configuration descriptions in the iSeries, eServer i5, or System i5 system to **on** (Vary On):

- Line description
- Controller description
- Printer description

Error Messages from the iSeries, eServer i5, or System i5

When the system is connected to a zSeries host system through an iSeries, eServer i5, or System i5, the following message might appear on the screen.

```
AS/400 CPI5xxx
```

The message might appear for the following reasons:

- Line error between the iSeries, eServer i5, or System i5 system and the host system
- Communication configuration description error in the iSeries, eServer i5, or System i5 system
- The communication configuration description in the iSeries, eServer i5, or System i5 system is set to off (Vary Off)

When this message appears, detailed error information is saved in the iSeries, eServer i5, or System i5 system operator message queue. Refer to the error message that corresponds to the number displayed on the screen and then correct the cause of the error.

IBM PC720 Modem Initialization (Japan only)

In the Japanese version of Personal Communications, if you use an IBM PC720 and connect it via a dial connection, the error message "COMDIA15 Unable to initialize modem" may appear at startup. To correct this condition, increase the value of **Retries** in **Initialization** to more than 1 by using the **Modem Information** panel.

5250 Asynchronous Console

For the asynchronous console attachment, you must have a 2609 or 2612 adapter for the Multiple Function I/O Processor (MFIOP) on the iSeries, eServer i5, or System i5 system. This connection also requires a special cable. The part numbers for the cables are 46G0450 (6m) and 46G0479 (2.5m).

Note: The iSeries Advanced Portable Model P02 does not support the asynchronous console attachment.

An asynchronous console has the following restrictions:

- Multiple console sessions cannot be used.
- APIs are not supported
- The session type cannot be set to the **Printer**.
- The file transfer functions is not supported.
- The PC Organizer cannot be used.

Adapter Setup Information

Creating and Updating Devices in Windows XP

In Windows XP and later operating system, Personal Communications does not install drivers for communications adapters (MPA and SDLC). You have to install the drivers and create devices using the Windows Hardware wizard or the Device Manager. You must use that process for both Plug-and-Play and non-Plug-and-Play adapters. The drivers and .INF files are located on the Personal Communications installation image in the \admin\drivers subdirectory.

If you are installing Personal Communications Version 6.0 on Windows XP or later operating system over a previous release of Personal Communications, and you are using a communications adapter, you should update the existing driver using the Windows Device Manager.

Not all communications adapters listed here are supported for Windows XP and later operating system.

Note: For more information about driver installation, updating drivers, and adapter setup, refer to the *Installation Guide*.

MPA Adapters

Preventing Conflicts with Non-PCI MPA Adapters

The multiprotocol adapters use system resources that, in some cases, cannot be shared. Therefore, you must make sure there are no conflicts with the following resources:

- DMA level
- I/O addresses (MPA0 uses X'380'–X'38F' and MPA1 uses X'3A0'–X'3AF')
- IRQ level (ISA bus only)

The IBM Multiprotocol interface adapters use the following system resources:

- The ISA-bus SDLC adapters require the use of IRQ3 and DMA channel 1 and only the MPA0 communication port is supported.
- The MPA for ISA can be supported using mode 4 (IRQ3 and DMA1 channel 1) or mode A (IRQ4 and DMA channel 1). IRQ level send/receive of 3 or 4 is supported. The ASCA can be supported using mode 4 (IRQ3 or IRQ5 or IRQ4 or IRQ7 and DMA channel 1) or mode A (IRQ4 or IRQ7 and DMA channel 1). IRQ level send/receive or 3, 4, 5, or 7 is supported. The interrupt level setting on the configuration panel in Personal Communications must match the value on the adapter card.

Note: When the MPA is configured for mode 4, the device is not allowed to use the other IRQ even though only one interrupt is claimed.

Personal Communications supports the MPA0 or MPA1 communication ports. Some sound cards use an I/O address within the range X'380'–X'38F'. MPA1 should be used to avoid a conflict.

- The MPA/A for a microchannel-bus workstation uses IRQ3, and the DMA level can be configured. Both the MPA0 and MPA1 communication ports can be active at the same time and the interrupt is claimed as sharable.

IBM SDLC PCMCIA Adapter and Modem (Japan Only)

Only one SDLC PCMCIA card can be used at a time. Because a common driver supports both SDLC PCMCIA and MPA interface cards, an MPA cannot be used concurrently with SDLC PCMCIA.

See “Creating and Updating Devices in Windows XP” on page 33.

IBM SDLC PCMCIA Adapter: The IBM SDLC PCMCIA adapter supports:

- Leased and switched connections
- Speeds up to 19.2 Kbps
- Switched and Constant Request To Send (RTS)
- NRZ and NRZI encoding schemes

The IRQ number on the device page’s adapter property sheet is ignored.

IBM SDLC PCMCIA Modem: The IBM SDLC PCMCIA modem supports:

- Switched V.26bis connections only
- Speeds up to 2400 baud
- Switched RTS only

The configured value on the constant RTS and IRQ level send/receive device page’s adapter property sheet are ignored.

IBM PCI Multiprotocol Adapter

Two IBM PCI Multiprotocol Adapters can operate concurrently. The configuration specifies one adapter with Communication Port MPA0 and the second adapter with Communication Port MPA1. When the link is activated, MPA0 is the first PCI Multiprotocol Adapter that the operating system finds and MPA1 is the second adapter found. If more than one PCI Multiprotocol adapter is installed on a machine and you are unsure which adapter the operating system will find first, you may want to perform an isolated test to determine which adapter is connected to which Communication Port. One suggestion is to disconnect the modems connected to the adapter from the telephone line and then try to start each link individually. By watching the modems, you should be able to determine which modem is connected to which Communication Port. Then the modems can be attached to the proper network. If a single PCI Multiprotocol Adapter is used, the configuration file must specify MPA0 as the Communication Port.

Note: If a Personal Communications configuration is using this adapter, and a PCI MPA adapter is added or removed from the system, Personal Communications may have to be reconfigured.

An ISA-bus MPA and IBM PCI Multiprotocol Adapter can be used concurrently, as long as the ISA-bus MPA adapter is configured as MPA1.

The IBM PCI Multiprotocol Adapter supports:

- Leased and switched connections
- Speeds up to 56 kbps

- Switched and Constant Request To Send (RTS)
- NRZ and NRZI encoding schemes

The IRQ number on the device page adapter property sheet is ignored.

The following sections provide additional information about configuring adapters, including PCMCIA and PCI cards.

OEM Adapters

Personal Communications has an open API that enables vendors and other equipment manufacturers (OEMs) to provide adapter cards that allow for additional connectivity options, for example, additional X.25, ISDN, or SDLC support. After installing the OEM adapter, you can begin to configure it in the usual manner described in *Quick Beginnings*. However, at some point in the configuration process you may need to provide information required by the manufacturer of the OEM adapter card.

Chapter 5. System Policy Support

System policies allow you to control the actions that a user is permitted to perform.

A policy can be defined by any application or component. The policy appears in the administrator user interface; information that you set about the policy migrates to the local computer's registry. The application or component that defines a policy must check the registry to enforce its own policy.

Policy information is typically added to a local registry in the following sequence:

1. Categories, policies, and parts are described in a policy template (*.ADM) file. The *Microsoft Resource Kit* includes three policy template files: WINNT.ADM, COMMON.ADM, and WINDOWS.ADM. Applications or components can also provide their own policy template files.

Note: Personal Communications supplies a policy template for each language currently supported. The templates are on the installation image in the admin directory. For example, the policy template for the US English language is named ENUPOL.ADM and the policy template for the French language is named FRAPOL.ADM.

2. You run the policy editor, which reads one or more policy templates and lists the available categories and policies. You set up the desired policies, and the policy editor uses registry functions to save the work to a policy (*.POL) file. A group policy editor is provided with Windows. Documentation about the use of Microsoft policy editors can be found at <http://www.microsoft.com>.
3. After the user logs on (and user profiles are reconciled if they are enabled), the policy downloader determines where to find the file on the network, opens the policy file, and merges the appropriate computer, user, and user group policies into the local registry.

Note: When using the group policy editor provided with Windows operating system, the **Not Configured** setting allows the same permission or access to features as the **Enabled** setting.

Configuration Policy

This category contains policy information related to configuration.

Communication

This policy category controls the user's ability to change configuration information pertaining to communication. This includes both emulator configuration (modified by selecting the **Communication** → **Configure** menu) and the SNA node configuration utility (PCSCFG.EXE).

The Communication Configuration drop-down list contains the following options.

No Access

The user has no access to communication information. However, this does not prevent the user from changing the communication configuration information by manually editing the .WS file, the .ACG file, or both. This is the most restrictive level of control.

Write The user can read preconfigured communication information, and can make temporary and permanent changes to the communication configuration information. This is the least restrictive, and is equivalent to the level of control in which users operate without policy support.

Menu

This policy controls the user's ability to read and change configuration information pertaining to the menu.

When the Menu Configuration policy is enabled, the drop-down list contains the following options.

No Access

The user has no access to menu configuration information; that is, the user cannot read preconfigured menu configuration information or change menu configuration information. This means that any menu configuration information contained in the .WS file (specifically, in the [Menu] stanza) or the PCSWIN.INI file (modified by selecting the **View → Show → Menu** menu) is ignored, and the user cannot execute the menu bar customization utility (PCSMENU.EXE).

The difference between this item and the **Read** item is that this item ignores updates to the menu configuration information that the user may have made while manually editing the .WS file or PCSWIN.INI file. This means that the user can use only the product default menu configuration, and that you cannot set up modified menu configurations to be used by users who have No Access. This is the most restrictive level of control.

Read The user can only read preconfigured menu information. This means that menu configuration information contained in the .WS file (specifically, in the [Menu] stanza) and the PCSWIN.INI file (modified by selecting the **View → Show → Menu** menu) is *not* ignored, but the user cannot update the menu by selecting **View → Show → Menu** or the menu bar customization utility (PCSMENU.EXE). The difference between this item and the **No Access** item is that this item does not prevent the user from updating the menu configuration information by hand editing the .WS file or the PCSWIN.INI file. However, unlike the **No Access** item, this item allows an administrator to set up modified menu configurations to be used by users who have *Read* access. This is less restrictive than **No Access**.

Write The user can read preconfigured menu information, and can make permanent changes to the menu configuration information. This is the least restrictive item, and is equivalent to the level of control in which users operate without policy support.

Toolbar

This policy controls the user's ability to read and change configuration information pertaining to the toolbar.

When the Toolbar Configuration policy is enabled, the drop-down list contains the following options.

No Access

The user has no access to toolbar configuration information; that is, the user cannot read preconfigured toolbar configuration information or change (temporarily or permanently) toolbar configuration information. This means that any toolbar configuration information contained in the

.WS file (specifically, in the [Toolbar] stanza) or the PCSWIN.INI file (modified by selecting the **View → Show → Tool Bar** menu) is ignored. The difference between this item and the **Read** item (described later) is that this item ignores updates to the toolbar configuration information that the user may have made while manually editing the .WS file or the PCSWIN.INI file. This means that the user can use only the product default toolbar configuration, and that you cannot set up modified toolbar configurations to be used by users who have **No Access**. This is the most restrictive level of control.

- Read** The user can only read preconfigured toolbar information. This means that toolbar configuration information contained in the .WS file (specifically, in the [Toolbar] stanza) and the PCSWIN.INI file (the results of manipulating the **View → Show → Tool Bar** menu) is *not* ignored, but the user cannot change (temporarily or permanently) the toolbar configuration information. The difference between this item and the **No Access** item is that this item does not prevent the user from updating the toolbar configuration information by hand editing the .WS file or the PCSWIN.INI file. However, unlike the **No Access** item, this item allows an administrator to set up modified toolbar configurations to be used by users who have **Read** access. This is less restrictive than **No Access**.
- Write** The user can read preconfigured toolbar information, and can make temporary or permanent changes to the toolbar configuration information. This is the least restrictive item, and is equivalent to the level of control in which users operate without policy support.

Multiple Sessions

This policy controls the user's ability to read, execute, and change configuration information pertaining to multiple sessions with the multiple sessions utility (PCSBAT.EXE).

When the Multiple Sessions policy is enabled, the drop-down list contains the following options.

No Access

The user has no access to multiple session configuration information; that is, the user cannot read or execute preconfigured multiple session configuration information or change multiple session configuration information. This means that the user cannot execute the multiple sessions utility (PCSBAT.EXE). This is the most restrictive level of control.

Read The user can only read and execute preconfigured multiple session information. This means that the user can execute the multiple sessions utility (PCSBAT.EXE) to read multiple session configuration information, or execute the multiple sessions utility (PCSBAT.EXE) to execute preconfigured multiple session information. However, the user cannot save any changes made to the multiple session configuration information. This is less restrictive than **No Access**.

Write The user can read and execute preconfigured multiple session information, and can make permanent changes to multiple session configuration information. This is the least restrictive item, and is equivalent to the level of control in which users operate without policy support. This setting allows the user access to the Modify function in the Session Manager window.

Keyboard

This policy controls the user's ability to read and change configuration information pertaining to the keyboard.

When the Keyboard Configuration policy is enabled, the drop-down list contains the following options.

No Access

The user has no access to keyboard configuration information; that is, the user cannot read preconfigured keyboard configuration information or change (temporarily or permanently) keyboard configuration information. This means that any keyboard configuration information contained in the .WS file (specifically, in the [Keyboard] stanza) is ignored. The difference between this item and the **Read** item is that this item ignores updates to the keyboard configuration information that the user may have made while manually editing the .WS file or the PCSWIN.INI file. This means that the user can only use the product default keyboard configuration, and that you cannot set up modified keyboard configurations to be used by users who have **No Access**. This is the most restrictive level of control.

Read The user can only read preconfigured keyboard information. This means that keyboard configuration information contained in the .WS file (specifically, in the [Keyboard] stanza) and the PCSWIN.INI file is *not* ignored, but the user cannot change (temporarily or permanently) the keyboard configuration information. The difference between this item and the **No Access** item is that this item does not prevent the user from updating the keyboard configuration information by manually editing the .WS file or the PCSWIN.INI file. However, unlike the **No Access** item, this item allows an administrator to set up modified keyboard configurations to be used by users who have **Read** access. This is less restrictive than **No Access**.

Write The user can read preconfigured keyboard information, and can make temporary or permanent changes to the keyboard configuration information. This is the least restrictive item, and is equivalent to the level of control in which users operate without policy support.

Mouse

This policy controls the user's ability to read and change configuration information pertaining to the mouse.

When the Mouse Configuration policy is enabled, the drop-down list contains the following options:

No Access

The user has no access to mouse configuration information; that is, the user cannot read preconfigured mouse configuration information or change (temporarily or permanently) mouse configuration information. This means that any mouse configuration information contained in the .WS file (specifically, in the [Mouse] stanza) is ignored. The difference between this item and the **Read** item is that this item ignores updates to the mouse configuration information that the user may have made while manually editing the .WS file or the PCSWIN.INI file. This means that the user can use only the product default mouse configuration, and that you cannot set up modified mouse configurations to be used by users who have **No Access**. This is the most restrictive level of control.

Read The user can only read preconfigured mouse information. This means that mouse configuration information contained in the .WS file (specifically, in the [Mouse] stanza) and the PCSWIN.INI file is not ignored, but the user cannot change (temporarily or permanently) the mouse configuration information. The difference between this item and the **No Access** item is that this item does not prevent the user from updating the mouse configuration information by hand editing the .WS file or the PCSWIN.INI file. However, unlike the **No Access** item, this item allows an administrator to set up modified mouse configurations to be used by users who have **Read** access. This is less restrictive than **No Access**.

Write The user can read preconfigured mouse information, and can make temporary or permanent changes to the mouse configuration information. This is the least restrictive item, and is equivalent to the level of control in which users operate without policy support.

Change Directory

This policy controls the user's ability to select sessions and batch files in directories other than the application data location, from the Session Manager window.

Import

This policy controls the user's ability to import .WS files from the Session Manager

Execution Policy

This category contains policy information related to execution.

Dynamic Menu Modification

This policy controls whether or not DDE applications executed by the user are permitted to dynamically add themselves to the menu of an active session.

Java™ Applet

This policy controls the user's ability to execute Java applets from the **Actions → Run Java Applet** menu.

Macro Play/Record

This policy controls the user's ability to play and record macros.

The Macro Play/Record drop-down list has the following options:

No Access

The user has no access to macros; that is, the user cannot play or record macros. This is the most restrictive level of control.

Play The user can play macros.

Record

The user can play and record macros.

Start Session

This policy controls the user's ability to minimize an emulator session window.

Minimize Session

This policy controls the user's ability to minimize an emulator session window.

Maximize Session

This policy controls the user's ability to maximize an emulator session window.

Close Session

This policy controls the user's ability to close an emulator session window.

Delete Session

This policy controls the user's ability to delete an emulator session from the Session Manager window.

Product Update

This policy controls the user's ability to start the Product Update Tool.

Detect and Repair

This policy controls the user's ability to utilize the Help Detect and Repair function.

File Transfer

This policy controls the user's ability to send or receive files from the host.

Installation Policy

This category contains policy information related to installing or removing Personal Communications.

Uninstall

This policy controls the user's ability to uninstall IBM Personal Communications.

View Policy

This category contains policy information related to changing the session window.

Menu Bar

This policy controls whether the user can view the menu bar.

Select Disable to hide the menu bar. The Not Configured or Enabled settings retain the menu bar in the session window.

Tool Bar

This policy controls whether the user can view the tool bar.

Select Disable to hide the tool bar. The Not Configured or Enabled settings retain the tool bar in the session window.

Status Bar

This policy controls whether the user can view the status bar.

Select Disable to hide the status bar. The Not Configured or Enabled settings retain the status bar in the session window.

Expanded OIA

This policy controls whether the user can view the expanded OIA.

Select Disable to hide the status bar. The Not Configured or Enabled settings retain the expanded OIA in the session window.

Quick Connect Bar

This policy controls whether the user can view the Quick Connect Bar.

Select Disable to hide the Quick Connect Bar. The Not Configured or Enabled settings retain the Quick Connect Bar in the session window.

Chapter 6. Configuring and Using Security for Personal Communications

Personal Communications provides session security using IBM Global Security Kit (GSKit) and Microsoft CryptoAPI (MSCAPI). These packages enable use of the Secure Sockets Layer (SSL) and Transport Layer Security (TLS) security protocols.

The configuration information in this chapter usually applies to both TLS and SSL. See “Using Transport Layer Security” on page 68 for more information about how TLS extends the SSL protocol.

You can display information about the security aspects of your session by clicking **Communication** → **Security Information** from the session menu bar. This provides details about the certificates exchanged during TLS/SSL negotiations between client and server.

A TLS/SSL session is established in the following sequence:

1. The client and the server exchange hello messages to negotiate the encryption algorithm and hashing function (for message integrity) to be used for the session.
2. The client requests an X.509 certificate from the server to verify the identity of the server. Optionally, the server can request a certificate from the client (known as *Client Authentication*).

The digital signature of the certificate authority (CA) is authenticated using a published *root* certificate of the issuing CA. The client automatically decrypts certain information on the presented certificate using a *public* key on the CA's root certificate. This step is successful only when the presented certificate was encrypted using a well-guarded, unique, and corresponding *private* key, known only to the CA. This process can detect (and reject) intentional alterations (forgeries) and the rare garbling that can occur over data circuits. Personal Communications also allows users to use self-signed certificates for this purpose.

3. Once the certificate-issuer authentication step succeeds, the client and server negotiate for an encryption key to be used during the ensuing data exchange session. The client randomly generates a set of keys to be used for encryption. The keys are encrypted with the server's public key and are securely communicated to the server.

When a secure connection is established, a padlock icon is displayed in the Personal Communications status bar. Depending on the level of encryption, the icon is accompanied by a number (0, 40, 56, 128, 168, 256). If the session is not TLS/SSL-based, the icon shows as unlocked.

Certificates

Security is controlled by digital certificates that act as electronic ID cards. The purpose of a certificate is to assure a program or a user that it is safe to allow the proposed connection and (if encryption is involved) to provide the necessary encryption/decryption keys. They are usually issued by Certificate Authorities (CAs), which are organizations that are trusted by the industry as a whole and

who are in the business of issuing of Internet certificates. A CA's certificate, which is also known as a root certificate, includes the CA's signature and a validity period, among other things.

Encryption and authentication are performed by means of a pair of keys, one public and one private. The public key is embedded in a certificate, known as a site or server certificate. The certificate contains several items of information, including the name of the Certificate Authority (CA) that issued the certificate, the name and public key of the server or client, the CA's signature, and the date and serial number of the certificate. The private key is created when you create a self-signed certificate or a CA certificate request and is used to decrypt messages from clients.

Certificate Migration

Personal Communications provides a utility for migrating personal or signer certificates from GSKit to MSCAPI. Click the **Certificate Migration** icon in the **IBM Personal Communications → Administrative and PD Aids** menu to start the utility. You will be required to enter the key database password.

The utility can be used to automatically migrate the selected certificate in the following paths:

- From GSKit Personal store to Windows Personal store
- From GSKit Signer store to Windows Trusted Root Certificate Authority store

You can also manually place certificates in each of the stores.

Managing Certificates in the Microsoft Certificate Stores

In order to connect secure sessions using the Microsoft CryptoAPI (MSCAPI) security package, the appropriate certificates must exist in the Microsoft Certificate Stores. To connect to a secure host, the root certificate of the host certificate's verification chain must be in the Trusted Root Certification Authorities store. To connect a secure client authentication session, the client certificate must be in the Personal store.

To add, remove, and view certificates in the Microsoft Certificate Stores, select **Internet Options** in the Windows Control Panel. On the **Content** tab, click **Certificates**. The tabs represent the different Microsoft Certificates Stores. Each tab shows the certificates that exist within each store.

To add a certificate to a store, click **Import**; the **Certificate Import** wizard helps you import certificates from a file. The Import wizard can import certificates from several types of certificate files, including the ARM, DER, and P12 formats that can be extracted or exported from the Certificate Management utility.

Configuring and Using Secure Sockets Layer

The purpose of basing communications on SSL is to provide privacy and integrity during communication over an unsecured TCP/IP connection between a client and a target server. This section briefly describes how to configure the Personal Communications client to use this mode.

Personal Communications provides two ways to manage certificates for use with the GSKit security package:

- "Using Certificate Management" on page 52

- “Using the IKEYCMD Command-Line Interface” on page 57

Preparation for TLS/SSL Communication

There is a division of labor for SSL configuration tasks. The configurations of the client and the server are coordinated to achieve the required compatibility. The following sections describe the preparation tasks required for client configuration and server configuration.

Server and Related Client Configuration

The administrator of a target server must have completed at least one of the following:

- **Equip the server with an appropriate class X.509 certificate from a well-known Certificate Authority (CA).** The administrator will have created a public/private key pair, submitted a request to the CA for a certificate, and received and activated that server certificate. By definition a *well-known CA* is one whose root certificates are already stored in the Personal Communications PCommClientKeyDb.kdb database file or Microsoft Certificate Store—see “Connecting to a Server Using a Certificate from a Well-Known CA” on page 52 for a list of these.

Note: You must also equip the client with an X.509 personal certificate from the same certificate authority (CA) to enable client authentication.

- **Equip the server with an appropriate class X.509 certificate from an unknown CA.** The procedure is the same as the step above with the added necessity of obtaining the root certificate from the *unknown CA*. Usually the administrator of the target server will distribute the appropriate root certificate which must then be added to the PCommClientKeyDb.kdb database file.

Note: You must also equip the client with an X.509 personal certificate from the same certificate authority (CA) to enable client authentication.

- **Equip the server with a self-signed X.509 certificate.** The administrator of the target server can do this as an interim measure while waiting for a CA’s certificate. A copy of that certificate must be added to the client PCommClientKeyDb.kdb database file. The distribution must be done in a secure manner to guard the privacy and integrity offered by SSL.

Notes:

1. You must also equip the client with an X.509 personal certificate from the same certificate authority (CA) to enable client authentication.
2. You must also add a copy of this certificate to the server’s key database.

Client Configuration

The following elements must be configured on the client side to enable TLS/SSL using the GSKit security package:

- **PCommClientKeyDb.kdb** is a certificate management database that is automatically created in the user-class application data directory when Personal Communications is installed. It is password protected. The default password is *pcomm* and is generated when PCommClientKeyDb.kdb is initially created by Personal Communications. To assure the continued integrity of PCommClientKeyDb.kdb, change the default password to a password or passphrase that is not easily guessed. See “Changing the Password of a Client’s Key Database” on page 52 for instructions on changing the password. As installed, this database contains a list of well-known CAs and their root certificates that will be sufficient for the majority of TLS/SSL client users for server-side authentication. If the target server uses a certificate from one of those

well-known CAs, the client user does not need to modify the PCommClientKeyDb.kdb other than to change the default password for server-side authentication. See the notes in “Server and Related Client Configuration” on page 47.

- **PCommClientKeyDb.sth** is a password stash file that is automatically created when Personal Communications is installed. By default, Personal Communications clients try to use the password stash file at runtime. The password or passphrase used to protect PCommClientKeyDb.kdb is encrypted and stored in this stash file for use by Personal Communications. Every time the password is changed on PCommClientKeyDb.kdb, this stash file must be regenerated. Otherwise, TLS/SSL mode will not operate. See “Changing the Password of a Client’s Key Database” on page 52 for instructions on changing the password.

Note: The use of a password stash file is strongly discouraged; the protection for these files is not strong.

Personal Communications allows the option to not use the PCommClientKeyDb.sth password stash file. In order to operate without the stash file, erase the PCommClientKeyDb.sth file from the user-class application data directory; then, during TLS/SSL session configuration, select the **Prompt for Password Once** radio button in the **Security Setup** → **Advanced** dialog. This option is available only for GSKit security.

- Security must be enabled in order to operate in TLS/SSL mode. A client operating in TLS/SSL mode cannot establish a connection with a server that is operating in ordinary Telnet mode. Likewise, a client operating in ordinary Telnet mode cannot establish a connection with a server operating in TLS/SSL mode. See “Configuring Personal Communications Session Security” on page 49 for information about enabling security.
- Select **Send Personal Certificate to Server if Requested** on the **Security Setup** property page for client authentication. If this option is not selected, only server-side authentication is performed. If the server requests a client certificate and this option is not selected, there will be no active connection. See “Opening a Key Database and Adding a Root Certificate” on page 53 for details.

To add, remove, and view certificates in the Microsoft Certificate Stores, select **Internet Options** in the Windows Control Panel. On the **Content** tab, click **Certificates**. The tabs represent the different Microsoft Certificates Stores. Each tab shows the certificates that exist within each store.

Establishing a Secure Session

Upon establishing a preliminary connection with a target server, the Personal Communications client is presented a certificate by that server; if you have enabled client certificate authentication, your certificate is likewise presented to the server. The digital signature of the CA is authenticated using a published *root* certificate of the issuing CA. The client automatically decrypts certain information on the presented certificate using a *public* key on the CA’s root certificate. This step is successful only when the presented certificate was encrypted using a well-guarded, unique, and corresponding *private* key, known only to the CA. This process can detect (and reject) intentional alterations (forgeries) and the rare garbling that can occur over data circuits.

Personal Communications also allows users to use self-signed certificates for this purpose.

Once this certificate-issuer authentication step succeeds, the client and server negotiate to agree on an encryption key to be used during the ensuing data exchange session.

Configuring Personal Communications Session Security

Whether you are configuring a TN3270, TN5250, or VT session, the underlying protocol must be TCP/IP. Use the following procedure to enable security:

1. Start a workstation profile from the Session Manager; or, from an active session, click **Configure** from the **Communication** menu. When the dialog box opens, click **Configure**.
2. In the Customize Communication panel, choose the appropriate Type of Host, Interface, and Attachment values for the desired Telnet host.
3. Click **Link Parameters**.
4. On the **Host Definition** property page, do the following:
 - a. Specify the normal host name and LU parameters under **Primary**.
 - b. Specify the **Port Number** under **Primary**. It is likely that it will not be the default port value for Telnet. The administrator of the destination server might have set up a specific port number to handle TLS/SSL service.
5. On the **Security Setup** property page, check **Enable Security**.
For server authentication only, no additional setup is required. For client authentication, proceed to the next step.
6. For 3270 sessions, select the **Telnet-negotiated** option to have Personal Communications negotiate security with the Telnet 3270 server. See “Negotiated Telnet Security” on page 69 for details. If Enable Security is unchecked, the Telnet-negotiated option cannot be selected.
7. On the **Security Setup** property page, select the **IBM Global Security Kit (GSKit)** or **Microsoft CryptoAPI (MSCAPI)** security package.

Note: To avoid the need of manually adding host certificate into the Microsoft Certificate Store, refer to **Pass Through Certificate Validation**.

8. For GSKit, you can click **Advanced** to control key ring access password options and Smart Card setup.

In the **Key Ring Access** group box, you can choose whether or not to use the key database password stash file. Select **Use Password Stash (STH) File** to use key database stash file and not be prompted for the key database file password. You can use this option with or without the Client Authentication function.

Select **Cryptographic Support** to enable Smart Card use. Click **Setup** to enter module and token information. See “Smart Card Support in GSKit” on page 56 for more information.

9. Use the **Security Protocol** drop-down list to choose TLS or SSL protocol for negotiation of the secure session.

If you select **TLS**, Personal Communications attempts to negotiate the secure session using the TLS protocol. If the server does not support TLS, Personal Communications steps down to the SSLv3 protocol.

If you select **SSL only**, Personal Communications attempts to negotiate the secure session utilizing the SSLv3 protocol. If the server side does not support SSLv3, Personal Communications steps down to the SSLv2 protocol.

10. For TLS security, you can select **FIPS** (Federal Information Processing Standard) mode. When this option is enabled, only FIPS-approved ciphers are used.

For GSKit, the following FIPS-approved cipher suites are available:

- TLS_RSA_WITH_DES_CBC_SHA
- TLS_RSA_WITH_3DES_EDE_CBC_SHA
- TLS_RSA_WITH_AES_128_CBC_SHA
- TLS_RSA_WITH_AES_256_CBC_SHA

For MSCAPI, the following FIPS-approved cipher suites are available:

- TLS_RSA_WITH_RC4_128_SHA
- TLS_RSA_WITH_DES_CBC_SHA
- TLS_RSA_WITH_3DES_EDE_CBC_SHA
- TLS_RSA_EXPORT1024_WITH_DES_CBC_SHA
- TLS_RSA_EXPORT1024_WITH_RC4_56_SHA

Notes:

Follow the below steps to enable AES support with MSCAPI on Windows Vista, Windows 7, and Windows Server 2008.

- a. From an administrator account, open **Group Policy Editor** (gpedit.msc).
- b. Choose **Computer Configuration->Administrative Templates->Network->SSL Configuration Settings**.
- c. Open **SSL Cipher Suite Order** and select **Enabled**.
- d. Alter the cipher order as per you organization's needs, save the changes, and REBOOT the system for the above changes to apply.

It is important to note that the client can only present the server a prioritized cipher list. The host has the final say on what gets selected as the cipher for the session. When choosing an algorithm with a specific a bit length, one important consideration is to remember that encryption and decryption are CPU intensive operations which take time depending upon the key size. In almost all cases, a 128-bit key is more than sufficient to protect the information you are exchanging over your telnet connections.

11. Enable **Check for Server Name and Certificate Name Match** to have the session authenticate the server by matching the server name to the host or server certificate name. The server and certificate names must match exactly. For MSCAPI sessions, if the certificate name and server name do not match, an error is returned. For GSKit sessions, if the host certificate name does not match the name of the host to which are connecting, the session is terminated.
12. In the **Client Authentication** group box, you determine when and how the client certificate will be chosen for sending to the server.

If you want to enable client authentication and have the personal client certificate from the key database file sent to the server when requested, check **Send Personal Certificate to Server if Requested**.

Send Personal Certificate Trusted by Server

Select this option if you do not want to be prompted to select a personal client certificate from a key database file. Personal Communications will send the personal client certificate trusted by the server.

Send Personal Certificate based on Key Usage

Use this option to select one or more key usages. Click **Key Usage** to select the defined Object ID (OID) key usages. Go to the **Extended Key Usage** panel to add a new OID and description to the list.

At authentication time, Personal Communications chooses certificates for client authentication, based on the key usage that you select. If a

certificate's Enhanced Key Usage attribute contains one or more of the OIDs that you specify, the certificate is eligible for use.

If no eligible certificates are found, the authentication fails. If one eligible certificate is found, it is automatically used. If two or more eligible certificates are found, you will be prompted to select a personal client certificate.

Select or Prompt for Personal Client Certificate

Use this option if you want to choose the personal client certificate. You will be prompted to select a personal client certificate during session establishment, when the server requests the client certificate.

To preselect a personal client certificate during configuration, click **Select now** and choose the **Personal Certificate Label**.

Pass Through Host Certificate Validation

Use this option to disable the default certificate validation process during SSL/TLS handshake. Applicable only for Microsoft schannel provider.

Note: By default, schannel (MSCAPI) is responsible for validating the host certificate chain received during SSL/TLS handshake. Schannel runs several checks on the received certificate chain one of which is verifying that the signature affixed to the certificate is valid, that is, the hash value computed on the certificate contents matches the value that results from decrypting the signature field using the public component of the issuer. In order to perform this operation, the user must possess the public component of the issuer either through some integrity-assured channel, or by extracting it from another (validated) certificate. The default certificate validation process is exhaustive and runs several checks on the host certificate chain in order to successfully validate it. By enabling this option the user would effectively suppress the default validation done by schannel and the identity of the host is not verified. The use of this option is not recommended.

Pop-up Messages

During session establishment, your workstation may display pop-up messages in order to solicit from you:

- The password for accessing the PCommClientKeyDb.kdb database
- The location of the PCommClientKeyDb.kdb

If you chose to be prompted for personal client certificate information, the Select Client Personal Certificate Label Name screen is displayed at connection time, when the server requests the client personal certificate. The **Server Certificate Information** list box displays the information about the certificate issued to the server, as well as the issuer. Information includes common name, organization, locality and e-mail. This is provided for information purpose only; none of the information can be selected. The **Server Trusted Root List** list box displays the information about the trusted root supported by the server. This is also provided for information purpose only; none of the information can be selected. Click the **Select Personal Certificate Label Name** drop-down list and select the personal certificate to be sent to the server for client authentication. Click **OK** after selection.

If you chose to be prompted once for the key database password, the Enter Key Database Password screen is displayed at connection time, when the server requests the client personal certificate. Enter the key database password and click **OK**.

Changing the Password of a Client's Key Database

The key database file created when Personal Communications is installed has a default set of root certificates that will handle a majority of server certificates without modification to the file. This initial file is accessible using certificate management. The default password *pcomm*.

Certificates can be managed using Certificate Manager or the IKEYCMD command-line interface.

Using Certificate Management

To change the password using Certificate Management, do the following:

1. From the **Start → Programs → IBM Personal Communications → Utilities** menu, select **Certificate Management**.
2. From the **Key Database File** menu, select **Open**.
3. Select the PCommClientKeyDb.kdb file from the user-class application data directory.
4. Click **Open**.
5. Type the current password for the file in the Password entry field.
6. From the **Key Database File** menu, select **Change Password**.
Follow the guidelines issued by your network manager for selecting a password or passphrase that is not easily guessed.
7. Type the new password in the New Password entry field.
8. Type the new password again in the Confirm New Password entry field.
9. To set a password expiration time, click **Set expiration time** and enter the number of days until expiration.
10. Click **Stash the password** to *stash* the password of the current database encrypted.

Note: Personal Communications cannot access the certificates in your file if this checkbox is not selected.

11. Click **OK**.

Connecting to a Server Using a Certificate from a Well-Known CA

The following CA signed root certificates are already stored in Personal Communication's key database and marked as trusted certificates:

Note: The updated list of CA certificates can be viewed by opening the default PCommClientKeyDb.kdb file.

- Thawte Personal Premium CA
- Thawte Personal Freemail CA
- Thawte Personal Basic CA
- Thawte Premium Server CA
- Thawte Server CA
- RSA Secure Server CA

- VeriSign Class 1 Public Primary CA
- VeriSign Class 2 Public Primary CA
- VeriSign Class 3 Public Primary CA
- VeriSign Test CA Root Certificate
- VeriSign Class 1 CA Individual Subscriber-Persona Not Validated
- VeriSign Class 2 CA Individual Subscriber-Persona Not Validated
- VeriSign Class 3 CA Individual Subscriber-Persona Not Validated

Following is a summary of the steps required for connecting to a server using a certificate issued by a well-known CA:

1. Confirm that the server you want to connect to has a certificate from a well-known CA.
2. Configure Personal Communications for TLS/SSL support. See “Configuring Personal Communications Session Security” on page 49 for details.

Connecting to a Server Using a Certificate from an Unknown CA

The procedures in this section explain how to configure security for connecting to a server using a certificate issued by an unknown CA; that is, a CA that is not already defined in the PCommClientKeyDb.kdb file.

Following is a summary of the steps required:

1. Confirm that the server you want to connect with has a certificate from an unknown CA.
2. Request the root certificate for the unknown CA from your server administrator.
3. Open the PCommClientKeyDb.kdb file and add the root certificate to it.
4. For client authentication, obtain a personal certificate from this unknown CA and add it to the PCommClientKeyDb.kdb file.

Opening a Key Database and Adding a Root Certificate

When you get the root certificate file from your server administrator, make sure that it is in one of the following formats, based on the normal file extensions:

.ARM Base64-encoded ASCII data (armored 64 format)

.DER Binary DER data

Only a certificate in one of these formats can be added to the keyring database.

Note: In many cases, instead of providing a root certificate file, the server administrator may create the key database file and password stash file at the server. After adding the root certificate, the server administrator can copy the files to each client. If you do this, it is important that the names and location match as follows:

- Key database file: PCommClientKeyDb.kdb
- Password stash file: PCommClientKeyDb.sth

These files are located in the user-class application data directory.

If the server administrator provided only a root certificate file, use the Certificate Management utility to open the key database file and add the root certificate.

Using Certificate Management: To use Certificate Management to open a key database and add a root certificate, do the following:

1. From the **Start → Programs → IBM Personal Communications → Utilities** menu, select **Certificate Management**.
2. From the **Key Database File** menu, click **Open**.
3. Select the PCommClientKeyDb.kdb file.
4. Click **Open**.
5. Type the password in the **Password** entry field and click **OK**.
6. Select **Signer Certificates** from the drop-down listbox.
7. Click **Add** to receive the certificate.
The Add CA's Certificate from a File panel appears.
8. Select the format dictated by your server administrator from the **Data Type** listbox.
9. Type the full path to the root certificate file in the **Certificate file name** entry field.
10. Click **Browse**, open the certificate file, and click **OK**.
11. Enter a label for the certificate and click **OK**.
12. Click **View/Edit**.
13. Activate the **Set the certificate as a trusted root**, and click **OK**.

Opening a Key Database and Adding a Personal Certificate

When you get the personal certificate file from your server administrator or a CA, make sure that it is in one of the following formats:

- PKCS#12 file
- CMS key database file
- Keyring file
- Base64-encoded ASCII data (armored 64 format)
- Binary DER data

A personal certificate can also be in a cryptographic device (such as a Smart Card or Fingerprint) or in a browser's keyring.

Using Certificate Management: To use Certificate Management to open a key database and add a personal certificate, do the following:

1. From the **Start → Programs → IBM Personal Communications → Utilities** menu, select **Certificate Management**.
2. From the **Key Database File** menu, click **Open**.
3. Select the PCommClientKeyDb.kdb file.
4. Click **Open**.
5. Type the password in the **Password** entry field and click **OK**.
6. Select **Personal Certificates** from the drop-down listbox.
7. Click **Import for KDB, DYR and P12 format files** to import the certificate.
The Import Key panel appears.
8. Select the format dictated by your server administrator from the **Key file Type** listbox.
9. Type the full path to the root certificate file in the **Certificate file name** entry field.
10. Click **Browse**, open the certificate file, and click **OK**.

11. Enter the **Key Label**, or accept the default, and click **OK**.
12. Click **Receive for ARM and DER format files**.
The Add CA's Certificate from a File panel appears.
13. Select the format dictated by your server administrator from the **Data Type** listbox.
14. Type the full path to the root certificate file in the **Certificate file name** entry field.
15. Click **Browse**, open the certificate file, and click **OK**.
16. Enter a label for the certificate and click **OK**.

Obtaining a Personal ID Certificate from a Known Certificate Authority (CA)

A personal ID certificate uniquely identifies you, and can be obtained from known certificate authorities. One such certificate authority is VeriSign. To obtain a Personal ID certificate from VeriSign:

1. Open the VeriSign web page at <http://digitalid.verisign.com/>.
2. Select **Personal IDs** from the page.
3. Follow the instructions on the next Web page to install a **Digital ID** (either **full-service** or **trial**) in your Web browser or on a cryptographic device, if the device has such capability.

After the certificate has been installed in your browser, you must store it in the key database. On Windows, you can use the Certificate Management utility to open the Microsoft Certificate Store. For other supported Windows operating systems, use the following procedure.

1. From the browser, export the certificate into a new key file.
2. Open the Personal Communications client key database file.
3. Click **Export/Import** to import the certificate. The **Export/Import Key** dialog appears.
4. Click the **Key** button.

Note: The key file type must be PKCS#12.

5. Enter the name of the file in the first field, the path to the file in the second field; click **OK**.
6. At the password prompt, enter your password and click **OK**.

Connecting to a Server Using a Self-Signed Certificate

Although using self-signed certificates is not recommended, a server administrator can use them while waiting for a purchased CA certificate. Once the CA certificate is available, the server and all clients should be reconfigured to switch from the self-signed certificate to the purchased one.

Following is a summary of the steps required:

1. Confirm that the server you want to connect with has a self-signed certificate.
2. Request from your server administrator the root certificate for the self-signed certificate.
3. Open the PCommClientKeyDb.kdb file and add the root certificate to it.

The steps required by a client in this scenario are the same as those for the Unknown CA scenario. See "Opening a Key Database and Adding a Root Certificate" on page 53 for the steps involved.

Problem Determination

Following is some information to help you avoid problems that might be related to TLS/SSL configuration.

- With server-side authentication, the common name in the sever's certificate is always compared to the name you type in the Host Name field on the client. These names must match exactly. You cannot:
 - Type the IP address in one place and the host name in the other
 - Type wrt05306 in one place and WTR5306 in the other
 - Type wtr05036 in one place and wtr05036.raleigh.ibm.com in the other

Note: This information is available only from the target server administrator.

- Make sure that TLS or SSL is enabled on both the Personal Communications client and the TLS/SSL server.
- Makes sure that the port number in the Advanced configuration panel on the client matches the port number defined in the server.
- For each different server using a self-signed certificate, you must add a copy of each of the server certificates to your keyring.
- Be sure there is a root certificate of the proper class to correspond with the class and issuer of the certificate on the server.
- Make sure that the password to your key database has not expired.

Note: Notify your server administrator of any problems prior to contacting IBM Service.

Smart Card Support in GSKit

The GSKit security package includes Smart Card support. A Smart Card is a small electronic device that contains electronic memory and can be used to store a certificate. You can keep the certificate in a local or network accessed file, in Netscape PKCS#11 format. You can specify the location of the certificate in the session preferences, or prompt for the personal client certificate. You can control the timing of prompts for client certificates.

You should have a Smart Card reader installed when working with certificates for Smart Card. Table 1 displays the supported Smart Card drivers and their filenames.

Table 1. Supported Netscape PKCS#11-compatible Smart Card Drivers

Smart Card Drivers	File names
IBM SecureWay™ Smartcard	w32pk2ig.dll
GemPlus/GemSoft Smartcard	w32pk2ig.dll
IBM Netfinity® PSG Chip ¹	ibmpkcss.dll
Rainbow Ikey 1000	Cryptoki22.dll
Schlumberger Cryptoflex	acpkcs.dll <i>or</i> slbck.dll
SCW PKCS 3GI 3-G International	3gp11csp.dll
Data Key	Dkck232.dll
Fortezza Module	fort32.dll

Table 1. Supported Netscape PKCS#11-compatible Smart Card Drivers (continued)

Smart Card Drivers	File names
<p>¹The system boards in some IBM systems are preconfigured with a Promise of Value (POV) card, a 256-bit encrypted security chip daughtercard attached to the motherboard. If an attempt is made to remove the POV card from the board and install it into another system, the cryptographic key material will be erased, rendering it unusable. This security feature is by design and prevents the cryptographic key migration from one system to another. Therefore, moving this security chip from one board to another is not a supported option. If an attempt is made to move the POV card from one system to another, it may hang on boot and display an error message referring to an invalid machine type and serial number.</p>	

Enabling Smart Card Support in GSKit

Smart Card is only used for the personal certificate—it can only hold one personal certificate and does not hold the signer certificates. The signer certificate or the root and any intermediate certificate of the personal certificate on the Smart Card should be added in the PCommClientKeyDb.kdb file.

To enable Smart Card security using the Certificate Management utility, do the following.

1. From the **Select Key Database File** menu, select **Open**.
2. From the **Key database type** drop-down, menu, select **Cryptographic Token**
3. Locate the appropriate file or enter the file name and location.

To enable Smart Card support when configuring a session, do the following:

1. Select **Enable Security** in the Security Setup panel.
2. Select **Send Personal Certificate to Server if Requested**.
3. Select **Cryptographic Support (PKCS#11)**.
4. In the Cryptographic Support Setup panel, choose the Netscape Compatible PKCS#11 driver name from the drop-down list. If a driver software provider was not found by Personal Communications, you must enter a Smart Card driver name.
5. If the driver loaded successfully, the **Cryptographic Token Label** list is displayed. There may be a delay while the certificate labels are loaded.
6. Enter the Cryptographic Token Password for the selected Cryptographic Token Label; this provides access to the PKCS#11 Cryptographic device. You can then access the PKCS#11 Certificate Label Names from the drop-down list. If there is only one Certificate, it will automatically be used.

If PKCS#11 Cryptographic support is enabled and a password for the PKCS#11 cryptographic module is not defined during configuration, you will be prompted for the password.

Using the IKEYCMD Command-Line Interface

IKEYCMD is a command-line tool that can be used to manage keys, certificates, and certificate requests. It is functionally similar to Certificate Management (IKEYMAN) and is intended to be run from the command line without a graphical interface.

Use IKEYCMD for configuration tasks related to public/private key creation and management. You can use IKEYCMD to create key database files for the same key database types that IKEYMAN currently supports. You can also create certificate requests, import CA signed certificates, and manage self-signed certificates.

You cannot use IKEYCMD for configuration options that update the server configuration file `httpd.conf`. To update the server configuration file, you must use the IBM Administration Server.

Environment Setup for IKEYCMD Command-Line Interface

Use the following procedure to set the environment variables to use the IKEYCMD command-line interface.

1. Set or modify the `PATH` variable to include the location of the Java executables. This can be done by using the UI, modifying `autoexec.bat`, or typing the following in a command window:

```
set PATH=c:\Program Files\IBM\Personal Communications\jre\bin;%PATH%;
```

where `C:\Program Files\IBM\Personal Communications` is the directory where is Personal Communications installed.

2. Set or modify the `CLASSPATH` variable to include the location of the Java executables. This can be done by using the UI, modifying `autoexec.bat`, or typing the following in a command window:

```
set CLASSPATH=c:\Program Files\ibm\gsk6\classes\cfwk.zip;C:\Program Files\IBM\gsk6\classes\gsk6cls.jar;%CLASSPATH%;
```

Once completed, IKEYCMD should run from any directory.

To run an IKEYCMD command, use the following syntax:

```
java com.ibm.gsk.ikeyman.ikeycmd <command>
```

IKEYCMD Syntax

The syntax of the IKEYCMD CLI is

```
java com.ibm.gsk.ikeyman.ikeycmd <object> <action> [options]
```

where `object` is one of the following:

-keydb

Actions taken on the key database (either a CMS key database file, a WebDB keyring file, or SSLight class).

-cert Indicates that the operation applies to a certificate.

-certreq

Actions taken on a certificate request.

-help Display help for the IKEYCMD invocations.

-version

Display version information for IKEYCMD.

Action is the specific action to be taken on the object, and *options* are the options (either required or optional) specified for the object and action pair. Some options may be required for certain object and action pairs.

Note: The object and action keywords are position-sensitive and must be in the order indicated in the example. However, options are not position-sensitive and can be typed in any order, provided that they are entered as an option and operand pair.

Object–Action Pairs: The following table describes each action that can be performed on a specified object.

Table 2. Object–Action Pairs for IKEYCMD

Object	Action	Description
-keydb	-changepw	Change the password for a key database.
	-convert	Convert the key database from one format to another.
	-create	Create a key database.
	-delete	Delete the key database.
	-stashpw	Stash the password of a key database into a file.
-cert	-add	Add a CA certificate from a file into a key database.
	-create	Create a self-signed certificate.
	-delete	Delete a CA certificate.
	-details	List the detailed information for a specific certificate.
	-export	Export a personal certificate and its associated private key from a key database into a PKCS#12 file, or to another key database.
	-extract	Extract a certificate from a key database.
	-getdefault	Get the default personal certificate.
	-import	Import a certificate from a key database or PKCS#12 file.
	-list	List all certificates.
	-modify	Modify a certificate. Note: Currently, the only field that can be modified is the Certificate Trust field
	-receive	Receive a certificate from a file into a key database.
	-setdefault	Set the default personal certificate.
-certreg	-sign	Sign a certificate stored in a file with a certificate stored in a key database and store the resulting signed certificate in a file.
	-create	Create a certificate request.
	-delete	Delete a certificate request from a certificate request database.
	-details	List the detailed information of a specific certificate request.
	-extract	Extract a certificate request from a certificate request database into a file.
-crypto	-list	List all certificate requests in the certificate request database.
	-recreate	Recreate a certificate request.
		Indicates a PKCS#11 cryptographic device operation. The value after -crypto is optional if it is already specified in the properties file.
-tokenlabel		Label of a PKCS#11 cryptographic device.
-help		Display help information for the IKEYCMD command.
-version		Display IKEYCMD version information.

Command-Line Options: The following table shows each option that can be present on the command line. The options are listed as a complete group. However, their use is dependent on the object and action specified on the

command line.

Table 3. Command-Line Options for IKEYCMD

Option	Description
-db	Fully qualified path name of a key database.
-default_cert	Sets a certificate to be used as the default certificate for client authentication (yes or no). Default is no.
-dn	X.500 distinguished name. This input is a quoted string of the following format: <ul style="list-style-type: none"> • C=country • CN=common_name • L=location • O=organization • OU=organization_unit • ST=state, province <p>Only CN, O, and C are required. See the following example: CN=weblinux.raleigh.ibm.com,O=ibm,OU=IBM HTTP Server, L=RTP,ST=NC,C=US</p>
-encryption	Strength of encryption used in certificate export command (strong or weak). Default is strong.
-expire	Expiration time of either a certificate or a database password (in days). Defaults are 365 days for a certificate and 60 days for a database password.
-file	File name of a certificate or certificate request (depending on specified object).
-format	Format of a certificate (either <code>ascii</code> for Base64_encoded ASCII or <code>binary</code> for Binary DER data). Default is ASCII.
-label	Label attached to a certificate or certificate request.
-new_format	New format of key database.
-new_pw	New database password.
-old_format	Old format of key database.
-pw	Password for the key database or PKCS#12 file. "Creating a New Key Database" on page 61 on page 27.
-size	Key size (512 or 1024). Default is 1024.
-stash	Trigger to stash the key database password to a stash file.
-target	Destination file or database.
-target_pw	Password for the key database if <code>-target</code> specifies a key database. See "Creating a New Key Database" on page 61.
-target_type	Type of database specified by <code>-target</code> operand (see <code>-type</code>).
-trust	Trust status of a CA certificate (<code>enable</code> or <code>disable</code>). Default is <code>enable</code> .
-type	Type of database. Allowable values are <code>cms</code> (CMS key database), <code>webdb</code> (keyring), <code>ssligh</code> (SSLight .class), or <code>pkcs12</code> (PKCS#12 file).
-x509version	Version of X.509 certificate to create (1, 2, or 3). Default is 3.

IKEYCMD Tasks for Personal Communications

IKEYCMD command-line interface tasks required for Personal Communications are summarized in the following sections.

- “Creating a New Key Database”
- “Storing the Encrypted Database Password in a Stash File” on page 62
- “Creating a New Key Pair and Certificate Request” on page 62
- “Creating a Self-Signed Certificate” on page 63
- “Exporting Keys” on page 63
- “Importing Keys” on page 64
- “Listing CAs” on page 64
- “Storing the CA Certificate” on page 64
- “Showing the Default Key in a Key Database” on page 65

See “Summary of Command-Line Invocations” on page 67 for a summary of command-line invocation syntax examples.

Creating a New Key Database

A key database is a file that the Personal Communications client uses to store one or more key pairs and certificates—this is required to enable secure connections between the Personal Communications client and the Telnet server. Before configuring TLS/SSL communication, you need to have the `PCommClientKeyDb.kdb` key database file in the Personal Communications application data directory. By default, this file is installed on your machine with Personal Communications and it has a default password of `pcomm`. It is recommended that you change this initial password the very first time you use Personal Communications. See “Changing the Database Password” on page 62 for instructions on how to change the key database password.

To open a key database using the `IKEYCMD` command-line interface, type the following command:

```
java com.ibm.gsk.ikeyman.ikeycmd -keydb -open -db
PCommClientKeyDb.kdb -pw <password> -type cms -expire <days> -stash
```

where:

<password>

Password is required for each key database operation. The initial password for `PCommClientKeyDb.kdb` is `pcomm`.

-type The `PCommClientKeyDb.kdb` used by the Personal Communications client is a CMS database type.

-expire

Number of days before password expires.

-stash Stashes password for key database.

When the `-stash` option is specified during the key database creation, the password is stashed in the `PCommClientKeyDb.sth` file.

The `PCommClientKeyDb.kdb` key database file holds all the security information needed by the Personal Communications client. Any additions or changes are made to the existing `PCommClientKeyDb.kdb` key database file.

Setting the Database Password: When you create a new key database, specify a key database password. This password protects the private key. The private key is the only key that can sign documents or decrypt messages encrypted with the public key. Change the key database password frequently.

Use the following guidelines when specifying the password:

- The password must be from the U.S. English character set.
- The password should be at least six characters and contain at least two nonconsecutive numbers. Make sure the password does not consist of publicly obtainable information about you, such as the initials and birth date for you, your spouse, or children.
- Stash the password.

Note: Keep track of expiration dates for the password. If the password expires, a message is written to the error log. The server will start, but there will not be a secure network connection if the password has expired.

Changing the Database Password: To change the database password, type the following command:

```
java com.ibm.gsk.ikeyman.ikeycmd -keydb -changePW -db PCommClientKeyDb.kdb  
-pw <password> -new_pw<new_password> -expire <days> -stash
```

where:

-new_pw

New key database password. This password must be different than the old password and cannot be a NULL string.

-expire

Number of days before the password expires.

-stash Stashes password for key database.

Storing the Encrypted Database Password in a Stash File: For a secure network connection, store the encrypted database password in a stash file.

To store the password while a database is created, type the following command:

```
java com.ibm.gsk.ikeyman.ikeycmd -keydb -create -db <path_to_db>/<db_name>.kdb  
-pw <password> -type cms -expire <days> -stash
```

To store the password after a database has been created, type the following command:

```
java com.ibm.gsk.ikeyman.ikeycmd -keydb -stashpw -db <db_name>.kdb -pw <password>
```

Registering a Key Database with the Server: The initial configuration setting for the default key database name is *key.kdb*. If you use *key.kdb* as your default key database name, you do not need to register the database with the server. The server uses the initial setting on the *KeyFile* directive in the configuration file. If you do not use *key.kdb* as your default key database name, or, if you create additional key databases, you must register those databases.

Creating a New Key Pair and Certificate Request

To create a public-private key pair and certificate request, do the following:

1. Type the following command:

```
java com.ibm.gsk.ikeyman.ikeycmd -certreq -create -db PCommClientKeyDb.kdb  
-pw <password> -size <1024 | 512>  
-dn<distinguished_name>-file <filename> -label <label>
```

where:

-size Key size of 512 or 1024.

-label Label attached to certificate or certificate request.

- dn** Enter an X.500 distinguished name. See Table 3 on page 60 for syntax.
 - file** Name of file where the certificate request will be stored. By default, Personal Communications uses the name certreq.arm and it should be stored in the application data directory, where the PCommClientKeyDb.kdb key database is located.
2. Verify that the certificate was successfully created.
 - a. View the contents of the certificate request file you created.
 - b. Make sure the key database recorded the certificate request by typing the following command:


```
java com.ibm.gsk.ikeyman.ikeycmd -certreq -list -db PCommClientKeyDb.kdb
-pw <password>
```

You should see the label that you just created in the list of certificates. Send the newly created file to a certificate authority.
 3. Send the newly created file to a certificate authority.

Creating a Self-Signed Certificate

It usually takes two to three weeks to get a certificate from a well-known certificate authority (CA). While waiting for an issued certificate, use IKEYCMD to create a self-signed server certificate to enable TLS/SSL sessions between clients and the server. Use this procedure if you are acting as your own CA for a private Web network.

To create a self-signed certificate, type the following command:

```
java com.ibm.gsk.ikeyman.ikeycmd -cert -create -db PCommClientKeyDb.kdb
-pw <password> -size <1024 | 512> -dn <distinguished name>
-label <label> -default_cert <yes or no>
```

where:

- size** Key size 512 or 1024.
- label** Enter a descriptive comment used to identify the key and certificate in the database.
- dn** Enter an X.500 distinguished name. See Table 3 on page 60 for syntax.
- default_cert**
Type yes if you want this certificate to be the default certificate in the key database. Otherwise, type no.

Exporting Keys

To export keys to another key database or to export keys to a PKCS#12 file, type the following command:

```
java com.ibm.gsk.ikeyman.ikeycmd -cert -export -db PCommClientKeyDb.kdb -pw
<password> -label <label>-type <cms | sslight> -target <filename>
-target_pw <password> -target_type <cms | sslight | pkcs12>
-encryption <strong | weak>
```

where:

- label** Label attached to the certificate.
- target** Destination file or database.
- target_pw**
Password for the target key database.

-target_type

Type of the database specified by -target operand.

-encryption

Strength of encryption. Default is strong.

Importing Keys

To import keys from another key database, type the following command:

```
java com.ibm.gsk.ikeyman.ikeycmd -cert -import -db <filename> -pw <password>
-label <label> -type <cms | sslight> -target <filename> -target_pw <password>
-target_type <cms | sslight>
```

To import keys from a PKCS#12 file, type the following command:

```
java com.ibm.gsk.ikeyman.ikeycmd -cert -import -file <filename> -pw <password>
-type pkcs12 -target <filename> -target_pw <password> -target_type <cms | sslight>
```

where:

-label Label attached to the certificate.

-target Destination database.

-target_pw

Password for the key database if -target specifies a key database.

-target_type

Type of database specified by -target operand.

Listing CAs

To display a list of trusted CAs in the PCommClientKeyDb.kdb key database, type the following command:

```
java com.ibm.gsk.ikeyman.ikeycmd -cert -list CA -db PCommClientKeyDb.kdb
-pw <password>-type cms
```

Storing the CA Certificate

Receiving a CA-Signed Certificate: Use this procedure to receive an electronically mailed certificate from a certificate authority (CA), designated as a trusted CA on your server. By default, the following CA certificates are stored in the PCommClientKeyDb.kdb key database and marked as trusted CA certificates:

- IBM World Registry™ CA
- Integrion CA Root (from IBM World Registry)
- VeriSign Class 1 Public Primary CA
- VeriSign Class 2 Public Primary CA
- VeriSign Class 3 Public Primary CA
- VeriSign Class 4 Public Primary C
- VeriSign Test CA
- RSA Secure Server CA (from VeriSign)
- Thawte Personal Basic CA
- Thawte Personal Freemail CA
- Thawte Personal Premium CA
- Thawte Premium Server CA
- Thawte Server CA

The CA may send more than one certificate. In addition to the certificate for your server, the CA may also send additional Signing certificates or Intermediate CA

Certificates. For example, Verisign includes an Intermediate CA Certificate when sending a Global Server ID certificate. Before receiving the server certificate, you must receive any additional Intermediate CA certificates. See “Storing a CA Certificate” for instructions on receiving Intermediate CA Certificates.

Note: If the CA who issues your CA-signed certificate is not a trusted CA in the key database, you must first store the CA certificate and designate the CA as a trusted CA. Then you can receive your CA-signed certificate into the database. You cannot receive a CA-signed certificate from a CA who is not a trusted CA. For instructions, see “Storing a CA Certificate.”

To receive the CA-signed certificate into a key database, type the following command:

```
java com.ibm.gsk.ikeyman.ikeycmd -cert -receive -file <filename>
-db PCommClientKeyDb.kdb -pw <password> -format
<ascii | binary> -default_cert <yes | no>
```

where:

-format

Certificate Authority might provide CA Certificate in either ASCII or binary format.

-label Label attached to CA certificate.

-trust Indicates whether this CA can be trusted. Use enable options when receiving a CA certificate.

-file File containing the CA certificate.

-default_cert

Type yes if you want to make this key your default key.

Storing a CA Certificate: To store a certificate from a CA who is not a trusted CA, type the following command:

```
java com.ibm.gsk.ikeyman.ikeycmd -cert -add -db PCommClientKeyDb.kdb
-pw <password>-label <label> -format <ascii> -trust <enable> -file <file>
```

where:

-label Label attached to certificate or certificate request.

-format

Certificate Authorities might supply a binary ASCII file.

-trust Indicate whether this CA can be trusted (should be yes).

Opening a Key Database

Explicit opening of a key database is not supported. For each command, database and password options are given—these options are sufficient to operate in a key database.

Showing the Default Key in a Key Database

To display the default key entry, type the following command:

```
java com.ibm.gsk.ikeyman.ikeycmd -cert -getdefault -db PCommClientKeyDb.kdb
-pw <password>
```

Managing a Digital Certificate on a Smart Card

You can manage digital certificates on a Smart Card (or, more generically, on a PKCS#11 cryptographic device). To do so, you must first use the following procedure to inform the IKEYMAN CLI of the name of the module for managing your Smart Card.

1. Edit the `java.security` file in your JDK environment with one of the following settings stored in the `(JAVA_HOME)\jre\lib\security\` directory:
 - `security.provider.1=sun.security.provider.Sun`
 - `security.provider.2=com.ibm.spi.IBMCMSProvider`
 - `security.provider.3=com.ibm.crypto.provider.IBMJCE`
2. Edit the `ikmcmd.properties` file to set the `DEFAULT_CRYPTOGRAPHIC_MODULE` property to the name of the module for managing your smart card. For example,
`DEFAULT_CRYPTOGRAPHIC_MODULE=C:\\Winnt\\System32\\W32pk2ig.dll`
The module is normally installed on your system when you install the software for your Smart Card.
3. Save the `ikmcmd.properties` file.

Use the following command syntax for PKCS#11 operations:

```
-crypto <module_name> -tokenlabel <token_label> -pw <password>
```

For example, to display the certificate contained on your PKCS#11 cryptographic device, type the following:

```
java -Dikeycmd.properties=<properties_file> com.ibm.gsk.ikeyman.ikeycmd  
-cert -list all -crypto <module_name> -tokenlabel <token_label> -pw <password>
```

where:

-cert Indicates that the operation applies to a certificate.

-list all
Displays the certificate.

-crypto <module_name>
Specifies PKCS#11 cryptographic device usage, where `<module_name>` is the name of the module to manage your smart card. This parameter is optional if the module name is specified in the `ikmcmd.properties` file.

-tokenlabel <token_label>
The PKCS#11 cryptographic device token label.

-pw <password>
The password for the PKCS#11 cryptographic device.

Using Microsoft CryptoAPI: If you want to open a cryptographic hardware device using MS CryptoAPI, use the following procedure.

1. Edit the `ikmcmd.properties` file. Set the cryptographic service provider (CSP) name to the `DEFAULT_CRYPTOGRAPHIC_MODULE` property. For example,
`DEFAULT_CRYPTOGRAPHIC_MODULE=Schlumberger Cryptographic Service Provider`
The CSP is normally installed on your system when you install the software for your Smart Card.
2. Save the `ikmcmd.properties` file.

Use the following command syntax to display the certificate contained on your cryptographic device:

```
java -Dikeycmd.properties=<propertiesfile> com.ibm.gsk.ikeyman.ikeycmd -cert
-list all -crypto <CSP_module_name>
```

where:

-cert Indicates that the operation applies to a certificate.

-list all
Displays the certificate.

-crypto <CSP_module_name>
Specifies the CSP name.

Managing the Microsoft Certificate Store

You can use the following command to manage the Microsoft Certificate Store:

```
-db MSCertificateStore
```

For example, to view the details of a certificate stored in Microsoft Certificate Store, use the following command syntax:

```
java com.ibm.gsk.ikeyman.ikeycmd -cert -details -db MSCertificateStore
-label <label>
```

where:

-cert Indicates that the operation applies to a certificate.

-details
Specifies verbose mode when displaying information.

-db MSCertificateStore
Specifies Microsoft Certificate Store.

-label <label>
The label of the certificate used in the operation.

The password parameter is not needed in `-db MSCertificateStore` operations.

Using GSK6CMD Batch File

The batch file `gsk6cmd` provides the same function as the `java com.ibm.gsk.ikeyman` command. For example, to store the password after a database has been created, you can also type the following command:

```
gsk6cmd -keydb -stashpw -db <db_name>.kdb -pw <password>
```

Summary of Command-Line Invocations

The following is a list of each of the command-line invocations, with the optional parameters specified in italics.

Note: The actual Java invocation `java com.ibm.gsk.ikeyman,iKeycmd` must precede each of the command examples.

```
-keydb -changepw -db <filename> -pw <password> -new_pw
<new_password> -stash -expire <days>
-keydb -convert -db <filename> -pw <password> -old_format
<cms | webdb> -new_format <cms>
-keydb -create -db <filename> -pw <password> -type <cms | sslight>
-expire <days> -stash
-keydb -delete -db <filename> -pw <password>
-keydb -stashpw -db <filename> -pw <password>
-cert -add -db <filename> -pw <password> -label <label> -file
<filename> -format <ascii | binary> -trust <enable | disable>
```

```

-cert -create -db <filename> -pw <password> -label <label> -dn
<distinguished_name> -size <1024 | 512> -x509version <3 | 1 | 2>
-default_cert <no |yes>

-cert -delete -db <filename> -pw <password> -label <label>
-cert -details -db <filename> -pw <password> -label <label>
-cert -export -db <filename> -pw <password> -label <label> -type
<cms | sslight> -target <filename> -target_pw <password>
-target_type <cms | sslight | pkcs12> -encryption <strong | weak>
-cert -extract -db <filename> -pw <password> -label <label> -target
<filename> -format <ascii | binary>
-cert -getdefault -db <filename> -pw <password>
-cert -import -db <filename> -pw <password> -label <label> -type
<cms | sslight> -target <filename> -target_pw <password>
-target_type <cms | sslight>
-cert -import -file <filename> -type <pkcs12> -target <filename>
-target_pw <password> -target_type <cms | sslight>
-cert -list <all | personal | CA |site> -db <filename> -pw
<password> -type <cms | sslight>
-cert -modify -db <filename> -pw <password> -label <label> -trust
<enable |disable>
-cert -receive -file <filename> -db <filename> -pw <password>
-format <ascii | binary> -default_cert <no | yes>
-cert -setdefault -db <filename> -pw <password> -label <label>
-cert -sign -file <filename> -db <filename> -pw <password> -label
<label> -target <filename> -format <ascii | binary> -expire
<days>
-certreq -create -db <filename> -pw <password> -label <label> -dn
<distinguished_name> -size <1024 | 512> -file <filename>
-certreq -delete -db <filename> -pw <password> -label <label>
-certreq -details -db <filename> -pw <password> -label <label>
-certreq -extract -db <filename> -pw <password> -label <label>
-target<filename>
-certreq -list -db <filename> -pw <password>
-certreq -recreate -db <filename> -pw <password> -label <label>
-target<filename>
-help
-version

```

Using Transport Layer Security

Personal Communications allows you to negotiate the Transport Layer Security 1.0 protocol. The TLS protocol is based on the SSL protocol. TLS differs from SSL mainly in the initial handshake protocol for establishing client/server authentication and encryption. TLS also allows you to use **FIPS** (Federal Information Processing Standard) mode. Although TLS and SSL do not operate with each other, TLS provides a mechanism by which a TLS 1.0 implementation can revert to SSLv3.

The TLS protocol uses public-key and symmetric-key cryptographic technology. Public-key cryptography uses a pair of keys, one public and one private. Information encrypted with one key can only be decrypted with the other key. For example, information encrypted with the public key can be decrypted only with the private key. Each server's public key is published, while the private key is confidential. To send a secure message to the server, the client encrypts the message by using the server's public key. When the server receives the message, it decrypts the message with its private key.

Symmetric-key cryptography uses the same key to encrypt and decrypt messages. The client randomly generates a symmetric key to be used for encrypting all session data. The key is then encrypted with the server's public key and sent to the server.

TLS provides three basic security services:

Message privacy

Achieved through a combination of public-key and symmetric-key encryption. All traffic between a client and a server is encrypted using a key and an encryption algorithm negotiated during session setup.

Message integrity

Ensures that session traffic does not change while in route to its final destination. TLS and SSL use a combination of public/private keys and hash functions to ensure message integrity.

Mutual authentication

Exchange of identification through public-key certificates. The client and server identities are encoded in public-key certificates, which contain the following components:

- Subject's distinguished name
- Issuer's distinguished name
- Subject's public key
- Issuer's signature
- Validity period
- Serial number

Configuring for TLS

When configuring a Telnet session, you can choose **TLS** or **SSL only** as your **Security Protocol**. If the configured host does not support TLS, the host does one of the following:

- Sends SSLv3 hello to Personal Communications

In this case, Personal Communications will revert to SSLv3 and continue SSLv3 negotiations.

- Sends a fatal error

In this case, Personal Communications does not continue negotiations with the host.

If you know that the host does not support TLS, you can select the **SSL only** option. In this case, Personal Communications starts with SSL negotiations to establish a secure connection, and does not attempt TLS negotiations. This option also enables SSLv2.

Negotiated Telnet Security

Typically, a secure channel is established before the Telnet 3270 server and client negotiate for a session. For Personal Communications 3270 sessions, you can use negotiated Telnet security. This option enables Personal Communications to establish security with the Telnet 3270 server during the Telnet negotiation. The security protocol used is TLS 1.0.

If you select the **Telnet-negotiated** option on the Security Setup panel, the Telnet connection is established. Personal Communications then uses the *TLS-based Telnet*

Security protocol (as defined by IETF) to negotiate the TLS/SSL security. If the connection is successful, a status message is returned.

This support is only applicable with a Telnet server which supports the *TLS-based Telnet Security* protocol. By default, this option is not enabled.

Chapter 7. Using Windows Terminal Services

Windows Terminal Services (WTS) is a feature that allows more than one user to log onto a Windows machine. This functionality is also referred to as *simultaneous user environments* or *terminal services*.

Users can logon to the Windows machine from the console (the screen attached to the Windows machine) or from a remote desktop client.

On Windows XP, more than one user can logon at the console, although only one of the logged-on users will be able to see his desktop at any time. This terminal services function is called *fast user switching*.

Citrix MetaFrame allows administrators to configure their WTS servers to run individual applications, and to configure each user to run different applications on different servers. Thus, instead logging on to a WTS server, a user launches preconfigured applications from his Citrix environment running on their client machine. Citrix then logs onto the appropriate WTS server and runs the application. When the user closes the application, Citrix shuts down the application, waits for all processes that were started by the application to terminate, and then logs off from the WTS server.

Notes:

1. A message file log is not maintained for each WTS logon session. Only one message log file is maintained for the WTS server.
2. When Personal Communications is used in a WTS environment, the maximum of 52 sessions (A-Z or a-z) applies to each WTS logon session. There is not a limit of 52sessions per WTS server.

Session IDs

In simultaneous user environments such as WTS, each time a user logs on, that specific logon session is assigned a session ID. When a user logs on at the console, that session is assigned the session ID **0** (zero)—this is also called the **server console** session. When a user logs on from a remote desktop, the assigned session IDs begin with session 1.

SNA Node Options

Personal Communications has a number of features that allow it to fully function in simultaneous user environments. In addition, you can use specific features to control the behavior of SNA nodes in such environments.

Note: You can only have one SNA node configuration file running for each WTS server. This means that each user cannot start an independent SNA node.

The following features are available in the SNA Node Configuration utility. Refer to the online help for specific information about option settings.

Configuration Preferences

The SNA Node Configuration **Edit** → **Preferences** dialog displays the following node options:

Auto Start

This option controls whether and when an SNA node is automatically started. The settings are as follows:

- **None**
The SNA node is never automatically started.
- **On Boot**
The SNA node is started when the workstation is booted up.
- **User**
The SNA node is started when any user logs onto the workstation.

Auto Stop

This option controls whether and when an SNA node is automatically stopped. The settings are as follows:

- **None**
The SNA node is automatically stopped only when the workstation is shut down or restarted.
- **TP User**
The SNA node is stopped when the TP user logs off the workstation.
- **User**
The SNA node is stopped when any user logs off the workstation.
- **Last User**
The SNA node is stopped when the last logged-on user logs off the workstation.

TP Context

An SNA Node is responsible for starting Transaction Programs (TPs). This option controls whether a TP is allowed to access a user's desktop. The settings are as follows:

- **System**
An SNA Node is responsible for starting Transaction Programs (TPs). The TP Context **System** value causes TPs to run with SYSTEM authority and the only workstation that can be accessed is the system console.
- **User**
The TP Context **User** value allows a TP to access the TP User's desktop.

The *TP User* is defined as the user who starts the SNA node. If that user logs off the workstation, the TP User becomes the user who has been logged onto the system the longest. If the SNA node was started on boot then the TP User becomes the first user who logs on.

Note: The TP context is ignored when a user ID is specified in the Local LU definition in the active node configuration.

Default SNA Node Configuration

You can specify a default node configuration (.acg) file.

User ID (Local LU 6.2)

When you configure a Local LU 6.2, you can specify a user ID for this Local LU. When a Transaction Program is started on a Local LU that has this user ID defined, the SNA Node attempts to give the TP access to that user's desktop. If the user is logged on at the time, the TP context is the user ID entered in this Local LU 6.2 configuration panel.

This user ID field can also be the value **SYSTEM** (as in the TP Context configuration option). In that case, the TP is always started with a TP context value of **SYSTEM**.

Trace Facility

For simultaneous user environments such as WTS, the **APPN** and **APPC** and **Connectivity** functions are only available for users logged in as session 0.

Each user can run his own trace facility, which gives information from that user's specific WTS logon session. However, there are trace options that enable tracing from device drivers, which are not associated with any specific WTS logon session. Thus, those options only appear on the trace facility that is started in the WTS console session (session 0).

Chapter 8. ODBC Drivers and Database Access Utility

This chapter contains information about ODBC drivers and the Database Access utility.

You can find additional information in the online help.

Overview of Open Database Connectivity (ODBC)

ODBC is an industry standard application program interface (API) that provides a solution to a common problem—how to write programs that access a Database Management System (DBMS) without making them dependent on specific DBMS designs. ODBC provides API access to SQL-accessible databases, allowing application programs to use SQL to access data from many kinds of sources. The independence of the access method from the original design of the database means that developers can design and produce a single version of an application that can work with, for example, Oracle or Sybase data, without requiring a separate version for each DBMS. Users simply add database drivers to link the application to their choice of DBMS.

ODBC is a component of the Windows Open Services Architecture (WOSA). Personal Communications supports ODBC 2.0, for development of 32-bit applications for Windows XP.

An ODBC driver provides an application program with standard and uniform SQL access to a DBMS database. An ODBC driver allows the designers and users of the application program to ignore the SQL differences between various DBMS systems.

Figure 1 shows an overview of the Personal Communications Database Access utility and the ODBC DB2® drivers.

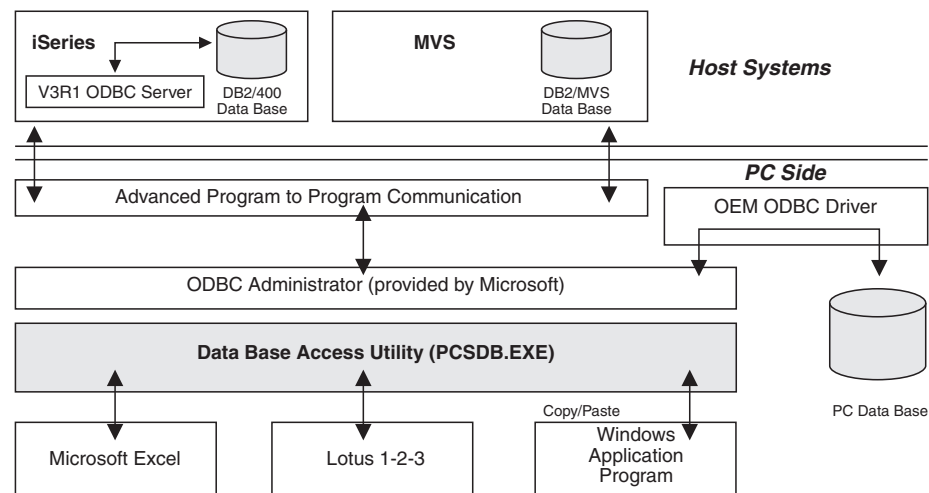


Figure 1. Database Access Overview

Components of ODBC

There are four components in the ODBC architecture:

- The **application** component defines and performs the work to be accomplished. It calls the ODBC API functions that submit SQL statements and retrieve results.
- The **driver manager** component loads drivers on behalf of an application.
- The **driver** component processes ODBC function calls, submits SQL requests to a specific data source, and passes results to the application. The driver transforms the application's SQL syntax into the syntax expected by the driver's associated DBMS.
- The **data source** component is the data to be accessed and the means for doing so, including the associated operating system, DBMS and network platform.

From the application program's perspective, the driver manager and the driver appear to be a single unit for processing ODBC function calls. Figure 2 shows the relationship between the four components:

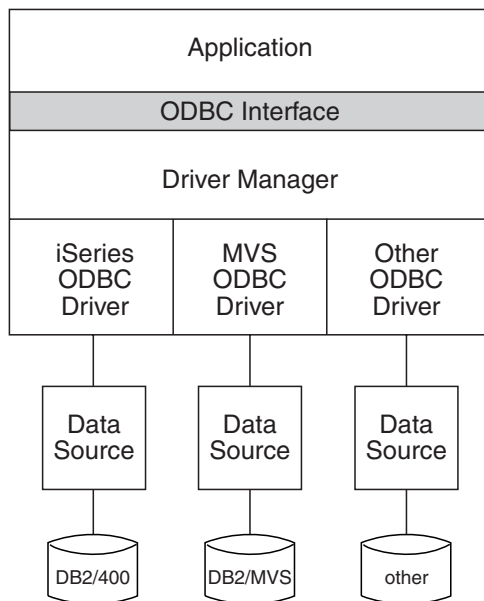


Figure 2. ODBC Components

Application Component

An application using ODBC performs the following tasks:

- Requests a session (connection) with a data source.
- Sends SQL requests to the data source.
- Defines storage areas and data formats for the results of the SQL requests.
- Requests the results of the defined query.
- Processes errors.
- Requests commit or rollback operations for transaction control.
- Terminates the session with the data source.

Any program that accesses a DBMS, such as a spreadsheet, a mail server, or a report generator, can be designed to use ODBC.

Driver Manager

The driver manager is a dynamic link library (DLL), the purpose of which is to load drivers. It also performs the following functions:

- Maps a data source name to a specific driver DLL.

- Processes ODBC initialization calls.
- Provides the entry points to the ODBC functions for each driver.
- Provides parameter and sequence validation for ODBC calls.

Driver

A driver is a DLL that implements ODBC function calls and interacts with a data source.

The driver manager loads a driver when the application calls the **SQLBrowseConnect**, **SQLConnect**, or **SQLDriverConnect** function.

A driver performs the following tasks in response to ODBC function calls from an application:

- Establishes a connection to a data source.
- Submits requests to the data source.
- Translates data to or from other formats, if requested by the application.
- Returns results to the application.
- Formats errors into standard error codes and returns them to the application.
- Declares and manipulates cursors if necessary. This operation is invisible to the application unless there is a request for access to a cursor name.
- Initiates transactions of the data source. This operation is invisible to the application.

Data Source

A data source is an instance of a DBMS product and any remote operating system and the protocol required to access it.

Database Access

Database Access lets you access host or PC databases and retrieve data, using ODBC drivers. If you specify the conditions for accessing data in each window, the desired query can be created automatically. See the online help for extensive information on using the Database Access utility with the Personal Communications ODBC drivers.

From Database Access, you can perform any of the following actions:

- You can see and modify the SQL statements that are created automatically.
- You can see available database table lists.
- You can copy spreadsheet data to the clipboard
- You can show data in the grid in the main window spreadsheet, send data to other applications (for example Lotus® 1-2-3® or Microsoft Excel), or send data to a printer.
- If you want to know the meaning of items in the windows, you can see an explanation when you click on the item and then click help.

Accessing an ODBC Data Source

To access an ODBC data source, do one of the following:

- Click on the **Data Source** button on the toolbar.



- Select **Data Source** from the query pull-down menu.

The SQL Data Source window appears.

Select the data source you want to access; then click OK.

Note: Before using Database Access, you must install the 32-bit ODBC administrator and set up the ODBC data source you wish to use.

Selecting Database Tables

To select database tables, do one of the following:

- Click on the **Tables** button on the toolbar.



- Select **Tables** from the Query pull-down.

The Tables window appears.

Joining Conditions for Multiple Tables

To join conditions for multiple tables, do one of the following:

- Click on the **Join Conditions** button on the toolbar.



- Select **Join** from the Query pull-down menu.

The Join By window appears.

Selecting Database Columns

To select database columns, do one of the following:

- Click on the **Columns** button on the toolbar.



- Select **Columns** from the Query pull-down menu.

The Columns window appears.

Selecting Query Conditions

To select query conditions for the data, do one of the following:

- Click on the **Query Conditions** button on the toolbar.



- Select **Query Conditions** from the Query pull-down menu.

The Query Conditions window appears.

Selecting Sort Conditions

To select sort conditions for each column, do one of the following:

- Click on the **Order** button on the toolbar.



- Select **Order** from the Query pull-down menu.

The Order By window appears.

Viewing the Current SQL Statement

To view the current SQL statement, do one of the following:

- Click on the **SQL Statement** button on the toolbar.



- Select **SQL Statement** from the Query pull-down menu.
- Click the SQL button in any window selected from the Query pull-down menu.

The SQL Statement window appears.

Database Size Limit

When you use Database Access, the maximum number of each value that can be displayed in the spreadsheet is as follows:

Number of columns	400
Number of rows	16350
Column length	2048 bytes
Row length	2048 bytes
SQL statement's length	32766 bytes

Note: The values shown are standard, but your PC's available resources (such as memory) can result in other limits.

When you use another application (for example Lotus 1-2-3), refer to the manual for that application because the limit might be different.

Chapter 9. Express Logon

Bypass Signon Using Password Substitute (5250)

This option enables the user to bypass iSeries login screen by sending a SHA1 password substitute.

Note: This option works only when the QPDLVL system value at the iSeries is either 2 or 3. A change to this system value takes effect at the next IPL. To see the current and pending password level values, use the **Display Security Attributes (DSPSECA)** command. The QRMTSIGN system value, which specifies how the system handles remote sign-on requests, should also be set to *VERIFY. The credentials are encrypted and saved in the current user's registry hive on the local computer.

Kerberos Services Ticket Auto-Signon

For 5250 emulator sessions, the **Bypass signon using Kerberos principal** option enables Kerberos authentication. A ticket is generated and passed to the iSeries, eServer i5, or System i5 host during TN5250 negotiation.

If the ticket is valid, authentication is completed and you will be logged onto the host. If authentication fails, a host login screen will be displayed.

Note: You must log into a Windows domain in order to use Kerberos authentication. Refer to the relevant Microsoft documentation for specific details.

For the Data Transfer utility, you can set the **Use Kerberos principal, no prompting** option (from **Setup** → **Signon Options**). This function enables Kerberos authentication, using the ticket generated by the Windows user credentials.

Certificate Express Logon

Certificate Express Logon (formerly known as Express Logon Feature or ELF) enables aPersonal Communications Telnet 3270 user to securely logon to a host application without sending the User ID and password. One advantage of using this function is that it reduces the time you spend maintaining host user IDs and passwords. It also reduces the number of user IDs and passwords that the users have to remember.

To use Certificate Express Logon, the host session must be configured for SSL and client authentication. This means the client must have a valid client certificate. The SSL connection must be made to one of the supported Telnet 3270 servers.

Using Certificate Express Logon

When starting a session using Certificate Express Logon, Personal Communications establishes an SSL client authentication session with the Telnet 3270 server. During the logon process, a macro with the Certificate Express Logon information is played. Once the session is established, Personal Communications sends the application ID for the application that the user is accessing to the Telnet 3270 server. This information is contained in the logon macro. The Telnet 3270 server uses certificate information from the SSL connection and the application ID

received from Personal Communications, and requests the user ID and passticket (a temporary password) from the host access control program (such as RACF®).

Personal Communications uses the macro function to put predefined substitute strings in the user ID and password fields. The Telnet 3270 server substitutes the user ID and passticket in the appropriate place in the 3270 datastream. The logon is completed.

After a Certificate Express Logon macro is recorded, it can be distributed to multiple users for playback without further modification.

Preparing to Configure Certificate Express Logon

Before you configure an Certificate Express Logon macro, you need to have the following information.

- Host application name
Name of the host application the user is logging onto. For example, the name entered on the USSMSG10 screen.
- Host access application ID
This name must match the RACF PTKTDATA (Passticket Data Profile) application name that is configured on the OS/390® (V2R10 or later) or z/OS® host. This name could be the same as the application name that the user is logging onto (for example, the name on USSMSG10). When creating PTKTDATA profiles for applications such as TSO, the application name portion of the profile will most likely not be the same. For example, RACF requires that the application ID portion of the profile name be TSO+SID. Refer to *OS/390 V2R10.0 SecureWay Security Server RACF Security Administrator's Guide* or *z/OS V1R1.0 SecureWay Security Server RACF Security Administrator's Guide* to determine the correct profile naming.
- User ID and password for the application that you are logging on to.
During macro recording, the actual user ID and password are used. They are not recorded in the macro; only the predefined substitute strings are recorded in the macro. The Telnet 3270 server replaces the predefined substitute strings with the actual user ID and password during the logon process.
- Client Security Certificate
The security certificate for the client must be stored in RACF using the RACF RACDCERT command.
 - For information about using digital certificates with RACF, refer to the following books:
 - For OS/390, refer to *OS/390 V2R10.0 SecureWay Security Server RACF Security Administrator's Guide* and *OS/390 V2R10.0 SecureWay Security Server RACF Command Language Reference*.
 - For z/OS, refer to *z/OS V1R1.0 SecureWay Security Server RACF Security Administrator's Guide* and *z/OS V1R1.0 SecureWay Security Server RACF Command Language Reference*.
 - For information about configuring DCAS to use RACF certificates, refer to the following books:
 - For OS/390, refer to *OS/390 V2R10.0 IBM Communication Server IP Migration*.
 - For z/OS, refer to *z/OS V1R1.0 IBM Communication Server IP Migration*.

Configuring Certificate Express Logon

Recording the Macro

You must record a macro for each host application that you want to access. You cannot log on to multiple applications with one macro. You do not have to configure SSL, and client authentication is not required on the telnet servers and OS/390 or z/OS before recording the logon macro, but you must do this before you can play the macro.

Manual Configuration of a Certificate Express Logon Macro

You can manually configure an existing Macro format file for Certificate Express Logon use. The procedure is as follows:

1. From the Action Bar, open the macro file containing the recorded keystrokes by selecting **Edit** → **Preferences** → **Macro/Script**.
2. Select the macro file you just recorded and then select **Customize**.
3. Replace the UserID recorded in the macro with two tags: the Certificate Express Logon Application ID and the UserID placeholder. The Application ID tag consists of three words, each separated by a blank character: elf, applid, and the identifier of the host application that will be logged onto. The UserID placeholder is)USR.ID(.
For example, replace "myUserID with ")USR.ID(.
4. Replace the Password recorded in the macro with the Certificate Express Logon Password placeholder tag)PSS.WD(.
For example, replace "myPassword with ")PSS.WD(.

Limitations of the Logon Macro

- Automatic insertion of the user ID and password placeholders into the recorded macro requires that the password be typed into the first non-display input field. The user ID is assumed to have been entered just prior to the password. The Modified Data Tag attribute of each formatted input field is assumed to be **ON** only when the field has been modified by the operator.
- There is a short delay while the Telnet 3270 server acquires the passticket from the host access control facility. The amount of time is probably less than the usual delay incurred when the user enters a user ID and password. However, the user can see the macro proceed through the screens during the logon process.
- Logon Express recording requires that the host program uses 3270 field attributes to define the password field on the screen.

Problem Determination

If the client logon fails and displays the messages)USR.ID(NOT IN CP DIRECTORY, INVALID USERID,)USR.ID(, PASSWORD NOT AUTHORIZED or any similar messages, check the Telnet 3270 server log for details.

Possible reasons for failures are:

- The application ID defined in the macro is not valid.
- The Telnet 3270 server could not connect to DCAS. The host might be down.
- The client certificate is not defined in RACF or it is not valid.
- The passticket has expired and could not be used to log on.
- The Telnet 3270 server completed scanning of data stream without replacing the user ID or password.
- The Telnet 3270 server or the host does not support Certificate Express Logon.

Chapter 10. Log Viewer Functions

The Personal Communications log viewer utility enables you to view, merge, sort, search, and filter information contained in message and trace logs. You can use the viewer during problem determination to work with message and trace log entries. The default name of the message log output file is PCSMSG.MLG; its file extension must be .MLG. The file extension for trace logs must be .TLG. Note that the Help per Message Log Item functionality is available only for message logs.

Viewing Message and Trace Logs

To view message or trace logs:

1. From the **Administrative and PD Aids** folder, click **Log Viewer**; or, from an active session window, click **Actions** → **Launch** → **Log Viewer**.
2. From the list of logged messages, click on one of the details on the log entry in the bottom pane.

Note: If the logger device driver determines that the product kernel driver-generated log is full and cannot log a message, it will create an entry in the Windows log. The information logged may include which log failed, as well as the location and reason for the failure.

Changing Message Log Size and Location

The Personal Communications log viewer utility allows you to modify the size and location of message log files, and change the name of the default message log file. The size of a log file is counted in kilobytes and can range from a minimum of 4Kb to a maximum limited only by available hard disk space.

To modify the location and size of the log:

1. From the **Log Viewer** main menu, click **Options** and then click **Configure Message Log Settings...** A Windows common dialog box is displayed.
2. From the dialog box, browse the directory structure and choose the destination directory and file name for the message log.
3. Using the spin control counter field, use the up and down arrows to increase or decrease the log file size (in kilobytes).
4. Select **OK** to save settings and exit the window.

Merging Message and Trace Logs

The Personal Communications log viewer utility allows you to open and merge message and trace log entries in the same log viewer window. You can merge any combination of message and trace log files.

- .MLG into .TLG
- .TLG into .TLG
- .TLG into .MLG
- .MLG into .MLG

To merge message and trace log files:

1. From the Log Viewer window, select the message or trace log file window where the files will be merged.
2. Click the **File** menu, then click **Merge** and choose a file to be merged.

Sorting Message and Trace Logs

The Personal Communications log viewer utility allows you to sort message and log files in ascending and descending order. To sort files in ascending order, click the column header one time, or right mouse click the data. Click the column header, or right mouse click the data a second time to sort in descending order.

Message and logs can also be sorted by selecting the data to be sorted, and right mouse clicking to display the pop-up menu. Click **Sort**.

Searching Personal Communications Logs

To search the log files, click **Edit → Find** on the **Main** menu.

Type your search string in the provided box. You can refine your search by checking the **Match case** check box if your search is to be case-specific. If you want to limit your search to only complete words, select the **Match whole word only** check box.

Clicking **Find Next** takes you to the next instance where your search string appears highlighted in the log.

Clicking **Cancel** will stop the search.

Filtering Personal Communications Logs

Messages can be filtered by component only. Traces can be filtered by component, by process ID, and by thread ID.

To filter the message or trace record list, do the following:

1. Decide what you want to filter by. For example, in the message log, you may want to filter your view so that it contains only messages issued by a particular component. (Filtering by component is the default.)
2. Click the left mouse button to highlight the item that has the value that you want to filter by.
3. Right click in the appropriate column list area.
4. Click **Filter In**, **Filter Out** or **Sort**.

Filter In allows only those items selected to be in the resulting view. **Filter Out** removes the selected items from the resulting view. **Sort** allows you to sort entries in ascending or descending order based upon the entry selected. This function works much like sorting by column header. Filters are cumulative, so you can filter the results of your first filter.

To restore your original view, click **View** and then **Refresh**, or you can press **F5**.

Part 3. SNA and AnyNet Topics

Chapter 11. SNA Client/Server Concepts

Terminology

Advanced Program-to-Program Communication (APPC)

An implementation of the SNA LU 6.2 protocol that allows interconnected systems to communicate and share the processing of programs.

Advanced Peer-to-Peer Networking (APPN)

An enhancement for Systems Network Architecture (SNA) networks featuring:

- Dynamic exchange of network topology information that simplifies connections, route selection, network definition, and reconfiguration
- Automated resource registration and directory lookup
- Greater distributed network control that helps to isolate the effects of single points of failure

Common Programming Interface for Communications (CPI-C)

Personal Communications provides support for the Common Programming Interface for Communications (CPI-C) 2.0 industry standard interface from X/Open. The CPI-C interface enables greater application portability across different platforms. By using CPI-C 2.0, APPC programming is simplified, resulting in reduced cycle time, and enhanced client/server computing capability. This support provides the capability for distributed parts of an application to converse with one another. The implementation is consistent with the Conversational function described in the IBM Open Blueprint®.

Logical Unit Address (LUA)

System software and interfaces that supply input/output (I/O) service routines to support communications that use LU types 0, 1, 2, and 3 SNA protocols. These protocols support user defined data streams, SNA character streams, and SNA 3270 data streams. LUA services include only those services that support data communications. LUA does not supply any device emulation facilities.

Node An endpoint of a link, or a junction, common to two or more links in a network. Nodes can be linked to host processors, communication controllers, cluster controllers, terminals, or workstations.

End Node

Provides directory and routing services for a workstation on an APPN network.

If the workstation will not be connecting from an end node to a network node server, you need to define an SNA connection.

APPC Concepts

Personal Communications provides Advanced Peer-to-Peer Networking (APPN) end node support for workstations, allowing them to communicate more flexibly with other systems in the network.

Personal Communications provides advanced program-to-program communications (APPC) to support communications between distributed

processing programs, called *transaction programs* (TPs). APPN extends this capability to a networking environment. The TPs can be located at any node in the network that provides APPC.

Introducing APPC and CPI-C

Advanced Program-to-Program Communication (APPC), also known as LU 6.2, is software that enables high-speed communications between programs on different computers, from portables and workstations to midrange and host computers. APPC software is available for many different IBM and non-IBM operating systems, either as part of the operating system or as a separate software package.

APPC serves as an interface between application programs and the network. When the communications application on your workstation passes information to the APPC software, APPC takes the information and sends it on to a network interface, such as a token ring adapter card. The information travels across the network to another computer, where the APPC software receives the information from the network interface. APPC puts the information back into its original format and passes it to the corresponding communications application.

APPC provides a consistent set of functions for program-to-program communications across different platforms. But, the architecture did not specify a common application programming interface (API) for implementing these functions. As a result, each operating system that supports APPC developed its own API, a set of verbs that closely resemble the operating system itself. These differences do not pose a problem if you are writing programs for two computers that use the same operating system. Most client/server applications run on different types of computers, however, to take advantage of the strengths of each computer. So, if you are designing programs for different operating systems, you must learn how to use two or more different sets of verbs.

The Common Programming Interface for Communications (CPI-C) eliminates this problem. CPI-C provides one standard set of verbs, known as CPI-C calls, for all systems that support CPI-C. As a result, you learn only one set of calls to write client/server applications for different systems.

What Is a Transaction Program?

The part of the communications application that initiates or responds to APPC communications is called a transaction program. A transaction program is not an entire, stand-alone program. Instead, it is the part of the program that handles transactions (exchanges of data) with another program.

When people talk with each other, we say that they are having a conversation. Likewise, the communication between two transaction programs is called a conversation.

A conversation between two programs is similar to a conversation between two people. When you have a conversation with another person, you follow unwritten rules that govern how you begin and end the conversation, take turns speaking, and exchange information. Similarly, APPC is called a protocol because it provides the rules that govern how conversations between transaction programs start and stop, which program “speaks” first, and how data is exchanged. Computers need complete and rigid rules for conversations between programs. For that reason, APPC consists of a set of well-defined and thorough rules to cover all possible communications situations.

An APPC program may have several conversations active at one time, with the same transaction program or with different transaction programs.

Every transaction program needs a partner to communicate with. Thus, transaction programs are developed in pairs called partner transaction programs.

People use different parts of speech to communicate with each other. Transaction programs are more limited in their communications; they use only verbs to communicate with each other. The verbs are the programming language you use to start, stop, and control conversations.

A transaction program consists of APPC and CPI-C verbs such as:

ALLOCATE (CMALLC in CPI-C)

Starts a conversation with another transaction program

SEND_DATA (CMSSEND in CPI-C)

Sends data to the partner transaction program

RECEIVE (CMRCV in CPI-C)

Receives data from the partner transaction program

DEALLOCATE (CMDEAL in CPI-C)

Ends a conversation with another transaction program.

The APPC verbs make up the application programming interface (API) for APPC and CPI-C. In other words, these verbs represent the interface between the transaction program and the APPC software.

What Is the Difference between APPC and APPN?

APPC is a communications protocol that enables programs on different computers to “talk to” each other. APPC provides the interface between the programs and the networking hardware and software and defines the rules that programs use to exchange information.

Advanced Peer-to-Peer Networking (APPN) is the underlying networking protocol that routes APPC traffic through intermediate nodes in the network. For instance, when Program A uses APPC to talk to Program B, APPN finds the node where Program B is located and directs the APPC traffic through the network.

APPN includes several features that help reduce the amount of configuration required to set up and maintain a network. These features automate many tasks that are time-consuming, complicated, and error-prone. For example, if you’re installing a new workstation that uses APPN, you don’t have to set up configuration information for every workstation you want to communicate with. You simply provide the name of the computer and the address of the intermediate node that handles your traffic. APPN takes care of the rest of the information needed to route APPC traffic to and from your workstation.

If you connect to an APPN network, you simplify your own configuration and make it easier for other computers in the network to find you.

Side Information Definitions

Before starting a conversation with a partner program, a CPI-C program requires the following information:

- The name of the partner program
- The name of the LU on the remote computer

- The type of session used by the program
- Security information

If the CPI-C partner program uses a blank symbolic destination name, a side information definition is not necessary.

Improving Productivity Using APPC

The advanced features of APPC help speed the development of robust client/server applications and keep development costs low.

Client/server applications often prove to be especially challenging to the programmer. It is not enough to understand the details about the computer and operating system that your application uses. If you're designing client/server applications, you have to deal with computers used by both sides of the application, as well as the intervening network. For instance, implementing effective security measures is more important and more complicated, since you must ensure security throughout the network. In addition, synchronization and error reporting are often problematic in a distributed environment, because both sides of the application must coordinate their work.

One reason that APPC has become so widely used in client/server applications is that it furnishes a complete set of useful functions like security, synchronization, and error reporting. If you use other protocols, you must build these functions in every application you write. For example, if you use NetBIOS, you must design and implement a strategy for security for each application. Not only does this approach require additional work, it may result in a number of incompatible security systems in your network. By contrast, APPC includes a common set of security services that are consistent across all APPC platforms.

Similarly, most protocols do not include synchronization functions. Synchronization is required by any program that cannot continue processing data until the data sent to the partner program has been received and processed. Rather than writing your own synchronization routine, APPC provides a Confirm call that you can use to handle synchronization between two programs.

Improving Productivity Using CPI-C

Because many client/server applications are distributed between mainframe systems and workstations, host programmers and workstation programmers must work together to develop partner applications. CPI-C bridges the gap between these programmers by providing a common language for designing the communications part of the applications. CPI-C also enables you to write the communications portion of an application without knowing the details of the operating system. After you write a CPI-C application, you can easily move the programs from one operating system to another with few changes. So, by using the CPI-C interface, you can port both your applications and your programming skills from one system to another, quickly and cost-effectively.

What Is a Logical Unit?

Every TP gains access to an SNA network through a *logical unit* (LU). An LU is SNA software that accepts verbs from your programs and acts on those verbs. A TP issues APPC verbs to its LU. These verbs cause commands and data to flow across the network to a partner LU. An LU also acts as an intermediary between

the TPs and the network to manage the exchange of data between TPs. A single LU can provide services for multiple TPs. Multiple LUs can be active in the node simultaneously.

LU Types

Personal Communications supports LU types 0, 1, 2, 3, and 6.2. LU types 0, 1, 2, and 3 support communication between host application programs and different kinds of devices, such as terminals and printers.

LU 6.2 supports communications between two programs located at type 5 subarea nodes, type 2.1 peripheral nodes, or both, and between programs and devices. APPC is an implementation of the LU 6.2 architecture.

Communication occurs only between LUs of the same LU type. For example, an LU 2 communicates with another LU 2; it does not communicate with an LU 3.

When Personal Communications is configured, your local and partner LUs are defined once for each machine. When you design programs, you must understand the capabilities supported by the LU in the particular machines you plan to use.

Dependent and Independent LUs

A *dependent LU* depends on a system services control point (SSCP) to activate a session. A dependent LU needs an active SSCP-LU session, which the dependent LU uses to start an LU-LU session with an LU in a subarea node. A dependent LU can have only one session at a time with the subarea LU. For communications with a TP at a subarea node, each dependent LU can have only one conversation at a time, and each dependent LU can support communications for only one TP at a time.

An *independent LU* does not depend on an SSCP to activate a session. An independent LU supports multiple concurrent sessions with other LUs in a subarea node, so you can have multiple conversations and support multiple TPs for communications with subarea TPs. LUs between peripheral nodes also use this support.

The distinction between a dependent LU and an independent LU is meaningful only when discussing a session between an LU in a peripheral node and an LU in a subarea node. Otherwise, dependent and independent LUs both support multiple concurrent sessions and conversations when communicating between type 2.1 peripheral nodes, for example, between two Windows workstations. A Personal Communications LU can support a single session with a dependent LU or multiple sessions with an independent LU.

What Is a Session?

Before TPs can communicate with each other their LUs must be connected in a mutual relationship called a *session*. A session connects two LUs, so it is called an *LU-LU* session. Figure 3 on page 94 illustrates this communication relationship. Multiple, concurrent sessions between the same two LUs are called *parallel* LU-LU sessions.

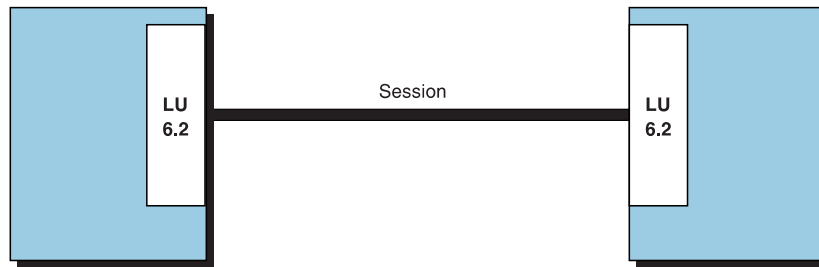


Figure 3. A Session between Two LUs

Sessions act as conduits that manage the movement of data between a pair of LUs in an SNA network. Specifically, sessions deal with things such as the quantity of data transmitted, data security, network routing, and traffic congestion.

Sessions are maintained by their LUs. Normally, your TPs do not deal with session characteristics. You define session characteristics when you:

- Configure your system
- Use the Session Services function in the Subsystem Management windows
- Use the management verbs

What Is a Conversation?

The communication between TPs is called a *conversation*. Conversations occur across LU-LU sessions. A conversation starts when a TP issues an APPC verb or CPI-C call that allocates a conversation. The conversation style associated with the conversation indicates the style of data transfer to be used, two-way alternate or two-way simultaneous. A conversation that specifies a two-way alternate style of data transfer is also known as a *half-duplex* conversation. A conversation that specifies a two-way simultaneous style of data transfer is referred to as a *full-duplex* conversation.

When a half-duplex conversation is allocated to a session, a send-receive relationship is established between the TPs connected to the conversation, and a two-way alternate data transfer occurs where information is transferred in both directions, one direction at a time. Like a telephone conversation, one TP calls the other, and they “converse”, one TP talking at a time, until a TP ends the conversation. One TP issues verbs to send data, and the other TP issues verbs to receive data. When it finishes sending data, the sending TP can transfer send control of the conversation to the receiving TP. One TP decides when to end the conversation and informs the other when it has ended.

When a full-duplex conversation is allocated to a session, both TPs connected to the conversation are started in send-and-receive state, and a two-way simultaneous data transfer occurs where information is transferred in both directions at the same time. Both TPs may issue verbs to send and receive data simultaneously with no transfer of send control required. The conversation ends when both TPs indicate they are ready to stop sending data, and each TP has received the data sent by the partner. If an error condition occurs, one TP may decide to end both sides of the conversation abruptly.

Conversations can exchange control information and data. The TP should select the conversation style best suited for its application.

A Conversation between Two TPs

Figure 4 shows a conversation between two TPs as it occurs over a session.

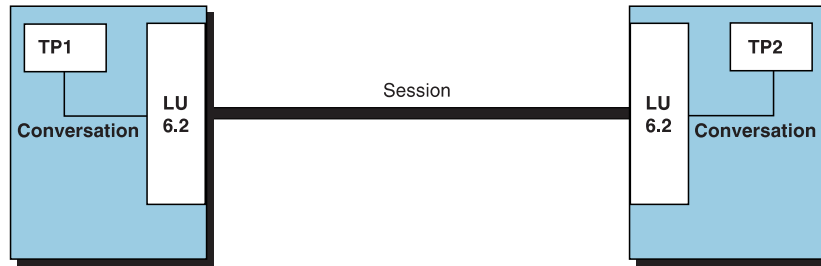


Figure 4. A Conversation between Two TPs

A session can support only one conversation at a time, but one session can support many conversations in sequence. Because multiple conversations can reuse sessions, a session is a long-lived connection compared to a conversation. When a program allocates a conversation and all applicable sessions are in use, the LU puts the incoming Attach (allocation request) on a queue. It completes the allocation when a session becomes available.

Two LUs can also establish parallel sessions with each other to support multiple concurrent conversations. A parallel session occurs when either TP allocates a conversation, and a session exists but is being used by a conversation. The LU can request a new session to satisfy the allocation.

Parallel Sessions between LUs

Figure 5 shows three parallel sessions between two LUs; each session carries a conversation.

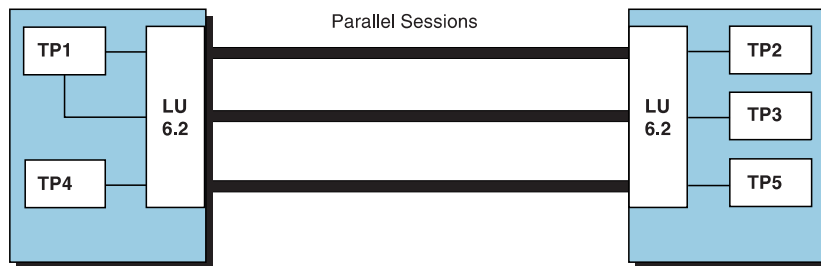


Figure 5. Parallel Sessions between LUs

SNA Communications

Personal Communications supports Systems Network Architecture (SNA) type 2.1 nodes (including SNA type 2.0 and SNA type 2.1 support for LUs other than SNA LU 6.2). This support lets you write programs to communicate with many other IBM SNA products.

You can write programs without knowing the details of the underlying network. All you need to know is the name of the partner LU; you do not need to know its location. SNA determines the partner LU location and the best path for routing data. A change to the underlying network, such as a physical address change, the

addition of a new adapter, or the relocation of a machine, does not affect APPC programs. A program might, however, need to establish link connections over switched SDLC connections.

When Personal Communications starts, it establishes local LU and logical link definitions, which are stored in a configuration file. The system management application programming interface (API) provides functions that control configuration definition and adapter and link activation.

SNA Node Operations

With SNA Node Operations, either a user or system administrator can display information or take action on node resources that are known to the active node.

The following tasks are supported:

- Starting and stopping resources
- Deleting resources
- Displaying resource information
- Changing session limits
- Initiating path switches

For more information about SNA node operations, see Chapter 13, “SNA Node Operations,” on page 119 or refer to the online help.

Chapter 12. AnyNet SNA over TCP/IP

This chapter describes the AnyNet SNA over TCP/IP function of Personal Communications.

What Does AnyNet SNA over TCP/IP Do?

SNA over TCP/IP is one of the IBM AnyNet software offerings. AnyNet software enables application programs to communicate over different transport networks and across interconnected networks. Using AnyNet, you can reduce the number of transport networks and therefore reduce operational complexity. These benefits are gained without modification to your existing application programs or hardware.

The AnyNet function in Personal Communications enables SNA applications to communicate over an IP network. This includes the Personal Communications emulators, both 3270 and 5250, as well as APPC and CPI-C applications.

The following network configurations illustrate how SNA over TCP/IP access nodes and gateways can be used.

Running APPC or CPI-C Applications over a TCP/IP Network

Figure 6 illustrates how you can use the AnyNet SNA over TCP/IP function of Personal Communications to enable communication between SNA applications over an IP network. Configuration information for a similar configuration is provided in *Quick Beginnings*.

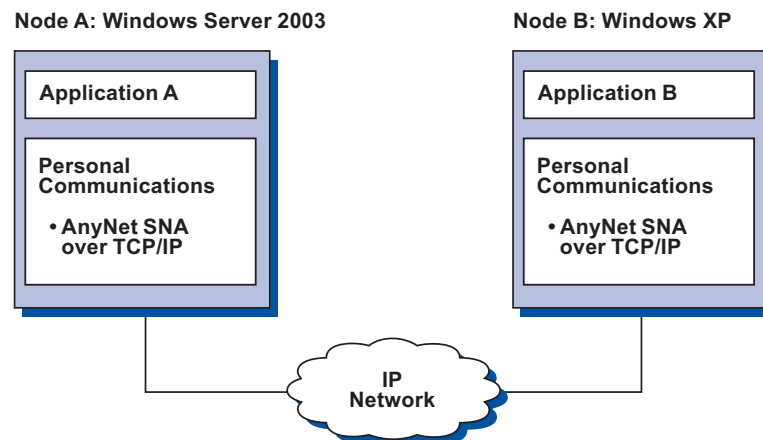


Figure 6. Running APPC or CPI-C Applications over a TCP/IP Network

Using AnyNet to Connect SNA Applications on Different Platforms

Figure 7 on page 98 illustrates some of the many products with AnyNet SNA over TCP/IP function. AnyNet gateways (Node F) allow SNA applications to communicate across a combination of TCP/IP and SNA networks.

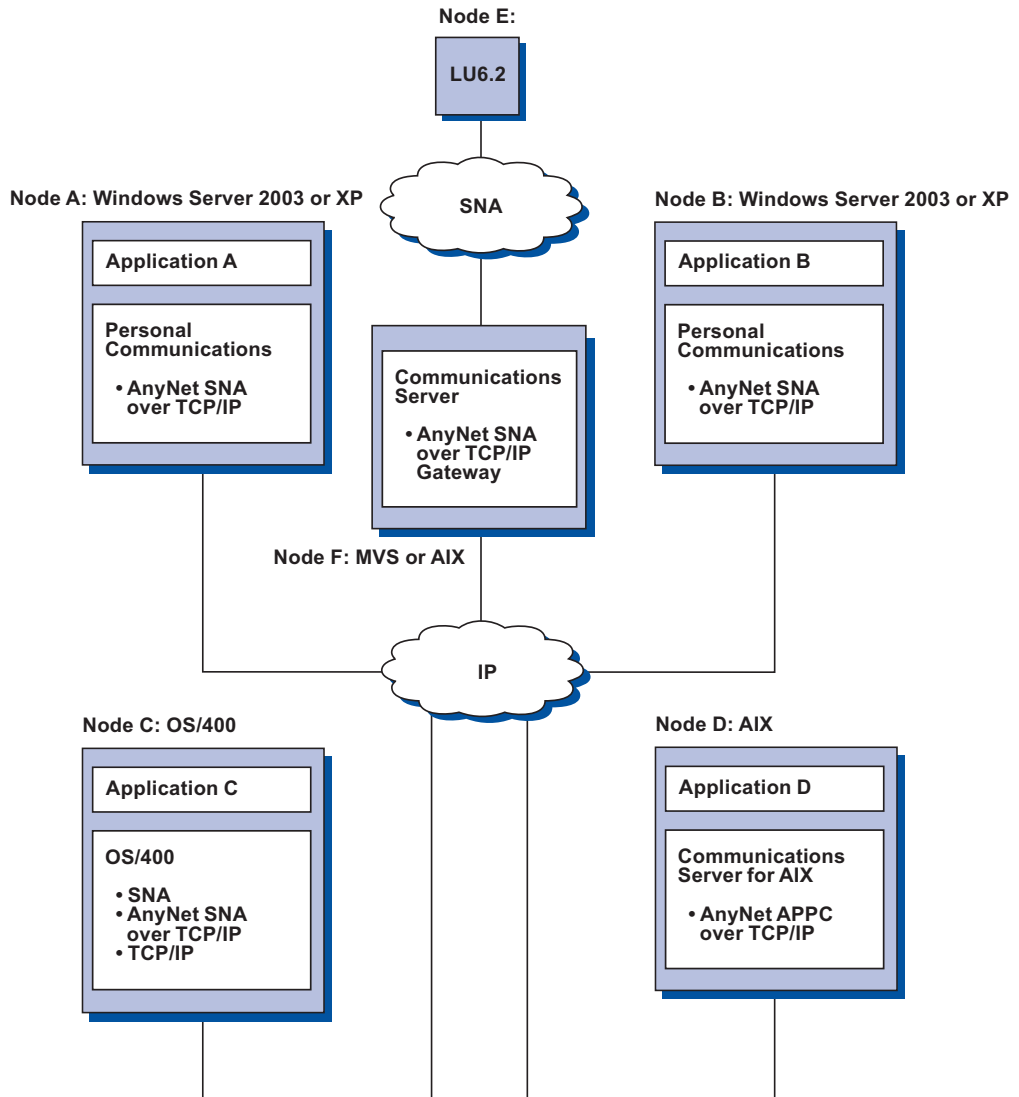


Figure 7. Using AnyNet to Connect SNA Applications on Different Platforms

Chaining Gateways to Connect Multiple SNA and IP Networks

Chained gateways enable the SNA network to connect multiple IP networks.

Note: While Figure 8 on page 99 shows three networks connected, the number of networks that can be concatenated is unlimited.

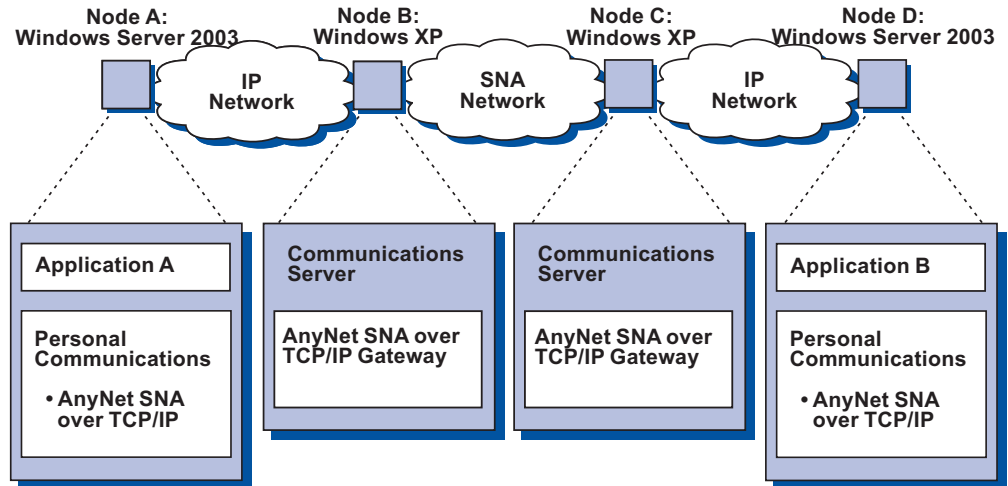


Figure 8. Chaining Multiple Gateways to Connect Multiple IP Networks

5250 Emulation over a TCP/IP Network

Figure 9 illustrates how AnyNet enables 5250 emulation over a TCP/IP network. Configuration instructions for this example are provided in *Quick Beginnings*.

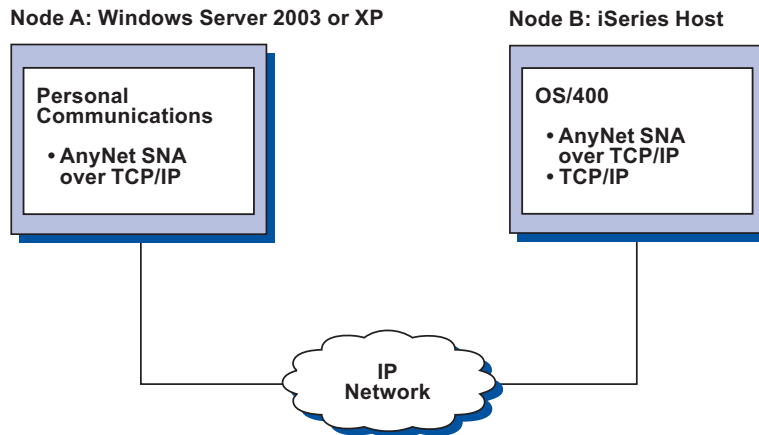


Figure 9. 5250 Emulation over a TCP/IP Network

APPC3270 Emulation over a TCP/IP Network

AnyNet also enables APPC3270 emulation over a TCP/IP network. See Figure 10 on page 100. Configuration instructions for this example are given in *Quick Beginnings*.

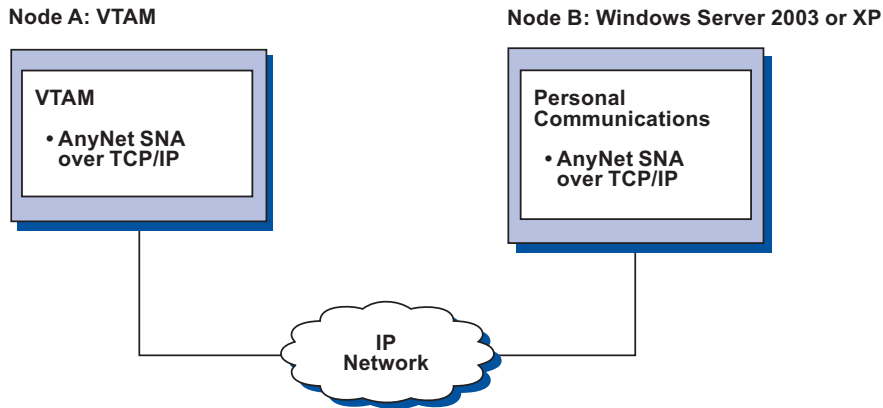


Figure 10. APPC3270 Emulation over a TCP/IP Network

3270 Emulation via DLUR over a TCP/IP Network

Figure 11 illustrates how you can use the AnyNet SNA over TCP/IP function of Personal Communications to enable 3270 emulation over a TCP/IP network. Node B, an access node, is defined as a dependent LU requester (DLUR). Configuration instructions for this example are provided in *Quick Beginnings*.

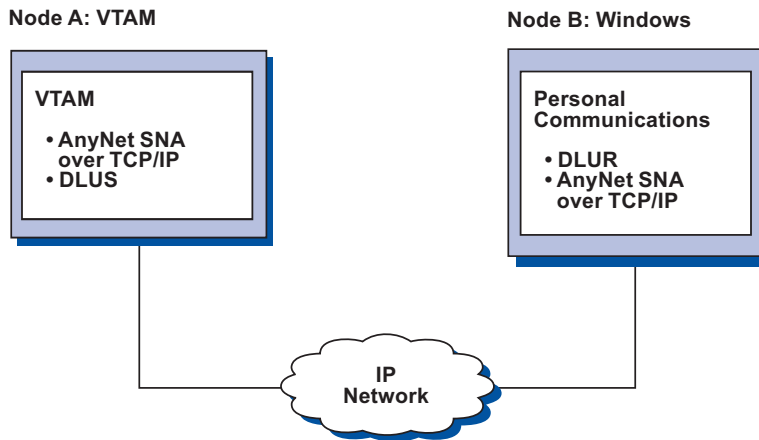


Figure 11. 3270 Emulation via DLUR over a TCP/IP Network

3270 Emulation over a TCP/IP Network via an SNA Gateway to a VTAM Host on an SNA Network

Figure 12 on page 101 illustrates a configuration that supports dependent LU communications for downstream workstations to a subarea host. In this example, Node B is configured for dependent LU communication over AnyNet to a zSeries host. Configuration instructions for this example are provided in *Quick Beginnings*.

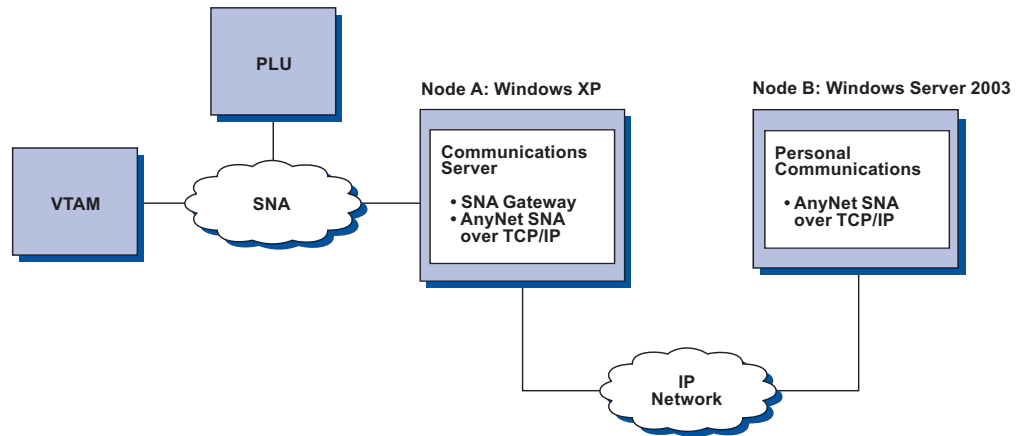


Figure 12. 3270 Emulation over a TCP/IP Network via an SNA Gateway to a VTAM Host on an SNA Network

3270 Emulation over a TCP/IP Network via an SNA Gateway to a VTAM Host on an APPN Network

Figure 13 illustrates a configuration that supports dependent LU communication for downstream workstations to an APPN host. The configuration of Node C is the same as that of Node B in the previous example, but the VTAM® host and the OS/2 gateway are connected to an APPN network.

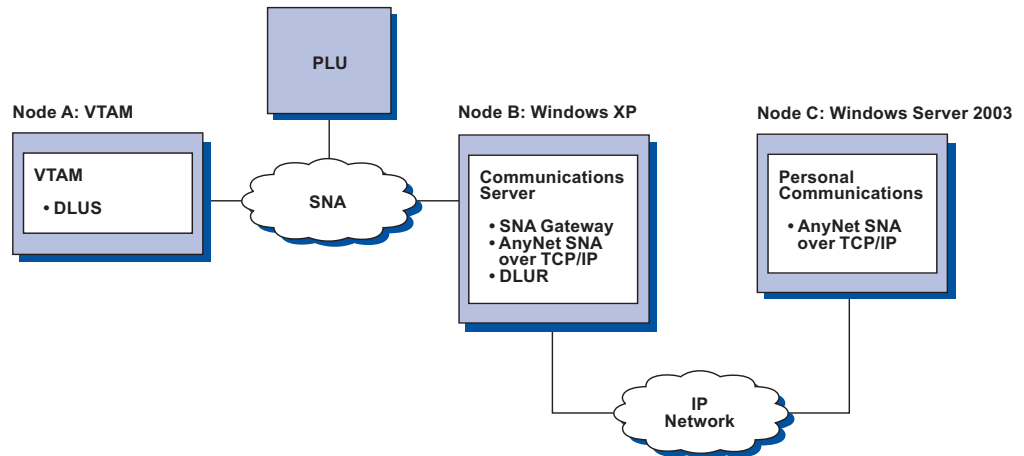


Figure 13. 3270 Emulation over a TCP/IP Network via an SNA Gateway to a VTAM Host on an APPN Network

3270 Emulation via an SNA Gateway over a TCP/IP Network

Figure 14 on page 102 illustrates a configuration that supports dependent LU communication for downstream workstations over a single IP network. All three machines are running AnyNet SNA over TCP/IP. As in the previous example, Node A is a dependent LU server (DLUS), and Node B is a dependent LU requester (DLUR). Configuration instructions for this example are given in *Quick Beginnings*.

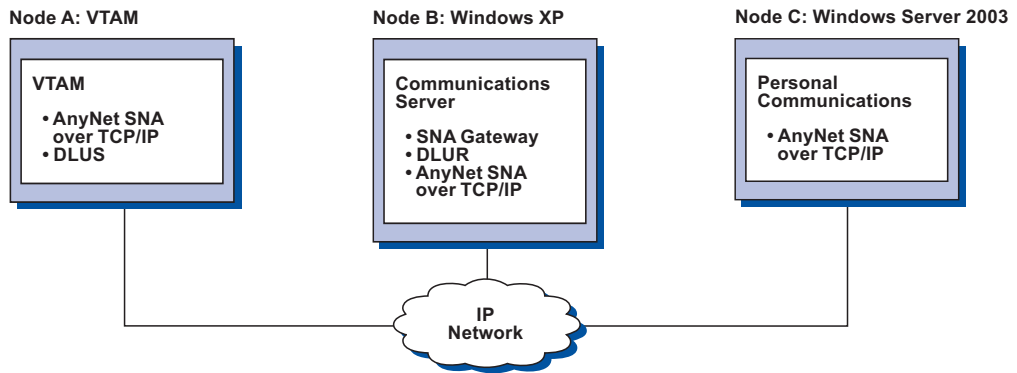


Figure 14. 3270 Emulation via an SNA Gateway over a TCP/IP Network

How Does SNA over TCP/IP Work?

SNA over TCP/IP uses protocols that bypass the lower transport layers of the SNA architecture. This process is transparent to the SNA application program. Using a supported API, an application program passes data to the presentation services of Personal Communications. This data, in turn, is passed through the SNA architectural layers and presented to SNA over TCP/IP at the data link control level. When Personal Communications initiates a session for an application program, SNA over TCP/IP translates the SNA routing information (network-qualified name) into IP routing information (IP address) and uses the IP address to create a TCP connection to the appropriate system.

Figure 15 on page 103 illustrates how an SNA over TCP/IP access node enables SNA application programs to communicate over IP networks.

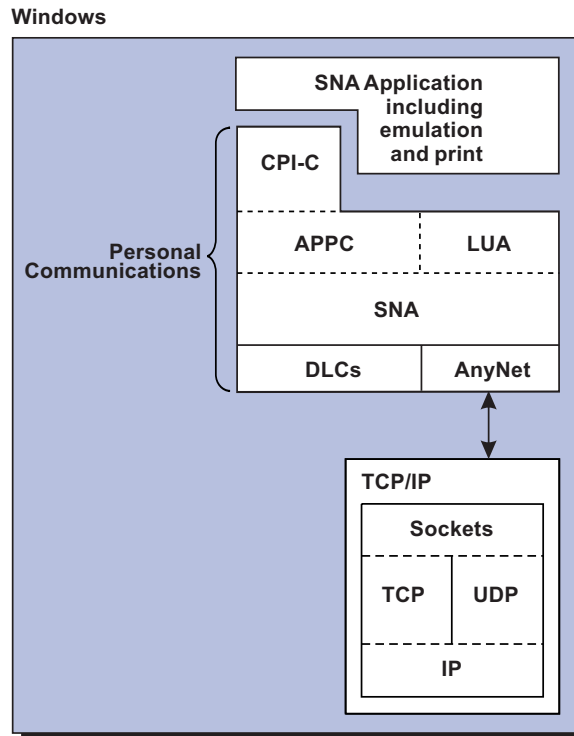


Figure 15. Structure of SNA over TCP/IP for Personal Communications

The configuration information you define enables SNA over TCP/IP to determine:

- Whether to route the data using SNA or to route the data using IP
- The IP address associated with the network-qualified LU name

SNA over TCP/IP uses both stream (TCP) and datagram (UDP) sockets that are bound to the well-known port (397). Any information received over this port is routed to AnyNet.

Mapping SNA Resources to IP Addresses

SNA over TCP/IP access nodes must determine the IP address of the partner before an SNA session can be established. The SNA identifier of the partner is mapped to an IP address using the following steps:

1. SNA over TCP/IP receives the SNA identifier from Personal Communications in one of the following formats:
 - For LU names, `netid.luname`
 - For CP names, `netid.cpname`
2. SNA over TCP/IP takes the identifier and generates a domain name:
 - For LU names, `luname.netid.snasuffix`
 - For CP names, `cpname.netid.snasuffix`

Note: The default value for `snasuffix` is `SNA.IBM.COM`. For additional information on the SNA domain name suffix, refer to the online help.

Figure 16 on page 104 shows examples of domain names generated by SNA over TCP/IP.

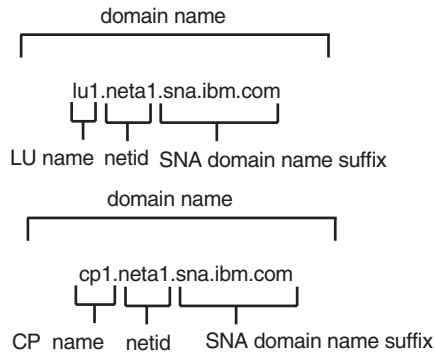


Figure 16. Formats of the Domain Names That SNA over TCP/IP Builds

3. SNA over TCP/IP requests that the domain name be translated into an IP address.
4. TCP/IP uses the HOSTS file or domain name server to translate the domain name into an IP address (for example, 9.67.192.28).

When the IP network includes SNA over TCP/IP gateways, consider the following additional address mapping issue:

If the partner LU can be reached through a gateway, the domain name of the partner must be mapped to the IP address of the gateway. If there are parallel gateways, the domain name should be mapped to each gateway IP address.

Defining Domain Names and IP Addresses

This section describes the TCP/IP name resolution function, used by AnyNet to map SNA resources to IP addresses. This function queries both the local HOSTS file and any domain name servers to convert a domain name (for example, lu1.neta1.sna.ibm.com) into an IP address (for example, 10.1.1.1).

HOSTS File

You can use TCP/IP HOSTS files to define domain names and IP addresses for your network. However, as your network becomes larger and maintaining the HOSTS file on each user workstation becomes too time-consuming, it is recommended that you use a domain name server.

The HOSTS file lists:

- IP address
- Domain name
- Other aliases for the domain name

For example, if your IP address is 10.1.1.1, network ID is NETA1, SNA resource name is LUA1, and SNA domain name suffix is the default (sna.ibm.com), enter the following in your HOSTS file:

```
10.1.1.1    lua1.neta1.sna.ibm.com
```

Domain Name Server

Domain names and IP addresses can also be defined in the domain name server database.

Each SNA identifier is mapped to a corresponding IP address by a domain name server. The location of these servers is configured in the Network section of the Control Panel.

For more information on HOSTS files and domain name servers, refer to your TCP/IP documentation. If your workstation is using the TCP/IP support in Windows XP, refer to the online TCP/IP documentation that is included with the Windows XP product.

Defining Unique CP Names and Connection Network Names

For configurations that have two or more SNA over TCP/IP gateways connecting an SNA network with two or more IP networks, you must define a unique SNA control point (CP) name and a unique SNA connection network name for each IP network.

All LUs that reside on access nodes in the IP network appear to reside on a node with this CP name.

Use the reverse data file of the domain name server or the HOSTS file to define the CP name and the connection network name for a given IP network. Map the IP address 127.0.0.3 to the CP name and map the IP address 127.0.0.4 to the connection network name.

The following example shows entries in the reverse data file. For an IP network with SNA network ID NETA, CP name MYCPNAME, and connection network name MYCNET, you would define the following entries:

```
127.0.0.3      NETA.MYCPNAME.  
127.0.0.4      NETA.MYCNET.
```

Notes:

1. A period is required at the end of the name only if the definition is in the DNS reverse data file. No period is used in HOSTS file definitions.
2. Do not include the SNA domain name suffix.

The AnyNet SNA over TCP/IP function of Personal Communications provides a default CP name (\$ANYNET.\$GWCP) and a default connection network name (\$ANYNET.\$GWCNET). In configurations with one IP network, you can use the default by not defining a CP name or a connection network name. In configurations with multiple gateways connecting multiple IP networks, one IP network can use the default. You must, however, define a unique CP name and connection network name for all other IP networks.

Figure 17 on page 106 shows how to define the CP name and the connection network name for a configuration with two IP networks. An example is provided in *Quick Beginnings*.

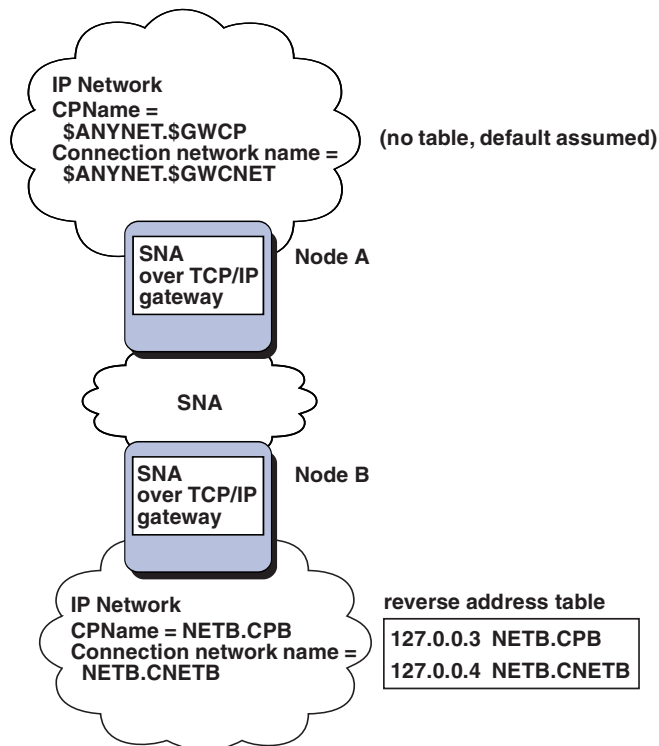


Figure 17. Defining a CP Name and a Connection Network Name

Setting and Modifying the Routing Preference Protocol

When an SNA application initiates a session, Personal Communications must first determine which transport to use, either SNA, IP, or a combination of the two.

Personal Communications uses the default routing preference for the session unless there is a specific routing preference set for the partner LU. Personal Communications then sets up a session for the partner LU using the preferred transport.

If the partner is not available through the preferred transport, Personal Communications can reroute the session request over the other available transport, depending on the setting in the routing preference table. For example, if the setting in the routing preference table for the destination LU is nonnative first, Personal Communications will attempt to set up the session over TCP/IP. If the partner is not available through TCP/IP, Personal Communications will route the session over SNA. However, if the setting in the routing preference table for the destination LU is nonnative only, Personal Communications will attempt to set up the session over TCP/IP. If TCP/IP is not available, Personal Communications will not route the session over SNA, because the setting allows only Personal Communications to use nonnative transport.

The routing preference table is used only for new sessions. Previously existing sessions use the same transport; they are not brought down and rerouted if the routing preference table is changed.

You can set or modify the default routing preference to one of the following:

Native first

Requests are routed over SNA. If no SNA route is available, requests are routed over TCP/IP.

Nonnative first

Requests are routed over TCP/IP. If no TCP/IP route is available, requests are routed over SNA.

Native only

Requests are routed only over SNA. If no SNA route is available, the connection will fail.

Nonnative only

Requests are routed only over TCP/IP. If no TCP/IP route is available, the connection will fail.

Helpful Hints

This section contains helpful hints on tuning, TCP/IP connectivity via SLIP or PPP, and dynamic IP addresses.

Tuning

If you can access an LU through multiple SNA over TCP/IP gateways, and you have mapped that LU name to multiple IP addresses, increase the Connection retry duration and Connection wait time limit when configuring the AnyNet base parameters. This ensures that TCP attempts to connect to all possible adapters and gateways. It can take as long as 90 seconds for a TCP connection to fail to an inactive IP address.

Connecting to iSeries, eServer i5, or System i5

If you are unable to connect to iSeries, eServer i5, or System i5 using SNA over TCP/IP, use the following procedure:

1. Make sure that the ANYNET support on the iSeries, eServer i5, or System i5 is activated. Issue the command **DSPNETA** on the iSeries, eServer i5, or System i5 and make sure the ANYNET status is yes.
2. Edit the HOSTS file on the PC, mapping the IP address to the CP name of the iSeries, eServer i5, or System i5.
3. Reboot the PC; the SNA over TCP/IP connection is then activated.

Dynamic IP Addresses

Generally, AnyNet SNA over TCP/IP depends on SNA resources (for example, LU names, CP names, or idblk/num) being statically mapped to IP addresses. However, depending on your configuration and how your connections are initiated, you might be able to use AnyNet SNA over TCP/IP in environments where IP addresses are dynamically assigned (for example, DHCP).

APPC or CPI-C Applications

An SNA over TCP/IP access node with a dynamically assigned IP address may always initiate sessions to another SNA over TCP/IP access node or gateway with a static IP address.

The only way an SNA over TCP/IP access node or gateway with a static IP address (node A) can initiate a session to a partner with a dynamic IP address (node B) is:

- Node B initiated a session to or through node A first.

- The session initiated in Step 1 is still active.

Dependent LU Applications

Note: The information in this section applies to LU 0, 1, 2, 3, or dependent 6.2 applications.

SNA over TCP/IP access nodes with dynamically assigned IP addresses can support dependent LU communications if the following criteria are met.

- Dependent LU communication is occurring through an SNA gateway either through:
 - Communications Manager/2 V5 or later
 - Communications Server for Windows 5.0 or later
- The SNA over TCP/IP access node with a dynamically assigned IP address initiates connections to an SNA gateway with a static IP address.

Dependent LU communication through DLUS/DLUR over AnyNet SNA over TCP/IP is not supported if the DLUR node has a dynamically assigned IP address.

AnyNet Configuration Examples

This section includes examples of AnyNet running SNA over IP connections. In all examples, the SNA domain name suffix is SNA.IBM.COM.

Example 1. 5250 Emulation Over a TCP/IP Network

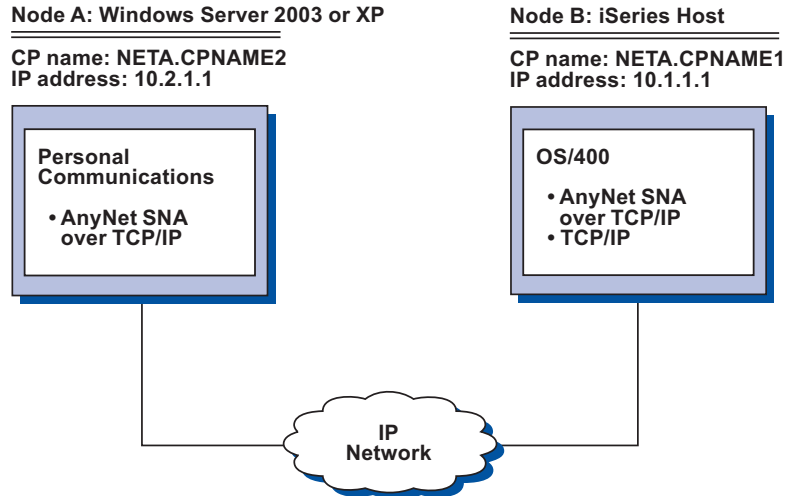


Figure 18. 5250 Emulation Over a TCP/IP Network

Follow these steps to establish communication between the Windows 2003 workstation (Node A) and the iSeries host (Node B).

For Windows 2003 Node A, do as follows:

1. Add the following entries to the local HOSTS file:


```
10.1.1.1 CPNAME1.NETA.SNA.IBM.COM
```
2. Create a workstation profile using the Personal Communications configuration tool:

- a. Click the **Start/Configure Session** icon; or click **Configure** from the **Communication** menu. The Customize Communication window is displayed.
- b. Select the following options:
 - **Host: iSeries**
 - **Interface: AnyNet**
 - **Attachment: TCP/IP 5250**
- c. Click **Configure**.
- d. Click **Configure Link**.
- e. On the Configure Local System window, enter:
PC Location Name: NETA.CPNAME2
 On the Configure Logical Connection Windows, enter:
System Location Name: NETA.CPNAME1
- f. Save your workstation profile.

For iSeries Node B, add the following entry to the local HOSTS file:
 10.2.1.1 CPNAME2.NETA.SNA.IBM.COM

Example 2. Running APPC or CPI-C Applications over a TCP/IP Network

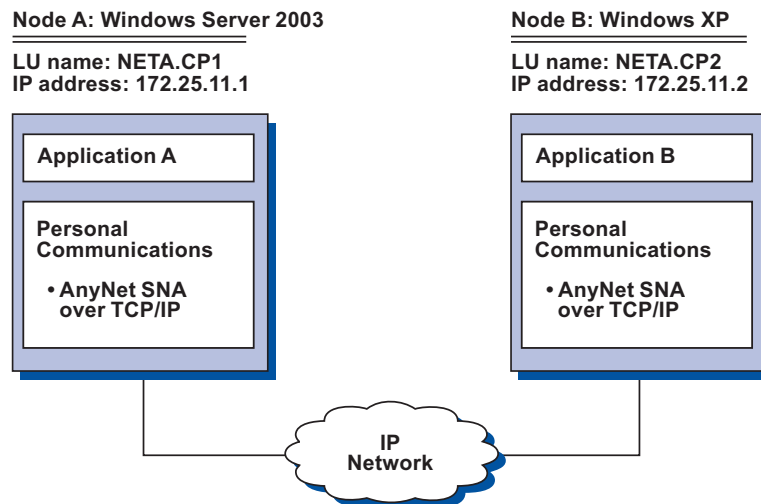


Figure 19. Running APPC or CPI-C Applications over a TCP/IP Network

Follow these steps to establish communication between a Windows 2003 node and a Windows XP node. Note that in this example, the CP names are used as LU names.

For Windows 2003 Node A, do as follows:

1. Add the following entry to the local HOSTS file:
 172.25.11.2 CP2.NETA.SNA.IBM.COM
2. Create a configuration using the Personal Communications configuration tool:
 - a. Click the **SNA Node Configuration** icon; or click **Actions** → **Launch** → **SNA Node Configuration**. The Personal Communications SNA Node Configuration window is displayed.

- b. In the Configuration Options list, choose **Configure Node** and click **New**.
- c. On the Define the Node window on the Basic tab, enter:
Fully qualified CP name: NETA.CP1
Click **OK** to complete node configuration.
- d. Choose **Configure Devices**. In the DLCs list, choose **AnyNet SNA/IP** and click **New**.
- e. On the Define an AnyNet SNA over TCP/IP Device window on the Basic tab, enter:
SNA domain name suffix: SNA.IBM.COM
- f. Click the **Routing Preferences** tab:
Default Routing Preference: Nonnative only
Click **OK** to complete configuration of the AnyNet device.
- g. From the Personal Communications SNA Node Configuration window, click **File**. Click **Save as...** and enter the desired file name to save.

For Windows XP Node B, do as follows:

1. Add the following entry to the local HOSTS file:
172.25.11.1 CP1.NETA.SNA.IBM.COM
2. Create a configuration using the Personal Communications configuration tool:
 - a. Click the **SNA Node Configuration** icon; or click **Actions** → **Launch** → **SNA Node Configuration**. The Personal Communications SNA Node Configuration window is displayed.
 - b. In the Configuration Options list, choose **Configure Node** and click **New**.
 - c. On the Define the Node window on the Basic tab, enter:
Fully qualified CP name: NETA.CP2
Click **OK** to complete node configuration.
 - d. Choose **Configure Devices**. In the DLCs list, choose **AnyNet SNA/IP** and click **New**.
 - e. On the Define an AnyNet SNA over TCP/IP Device window on the Basic tab, enter:
SNA domain name suffix: SNA.IBM.COM
 - f. Click the **Routing Preferences** tab:
Default Routing Preference: Nonnative only
Click **OK** to complete configuration of the AnyNet device.
 - g. From the Personal Communications SNA Node Configuration window, click **File**. Click **Save as...** and enter the desired file name to save.
3. Start Personal Communications on each machine.
4. Start your applications (for example APING).

Example 3. APPC3270 Emulation over a TCP/IP Network

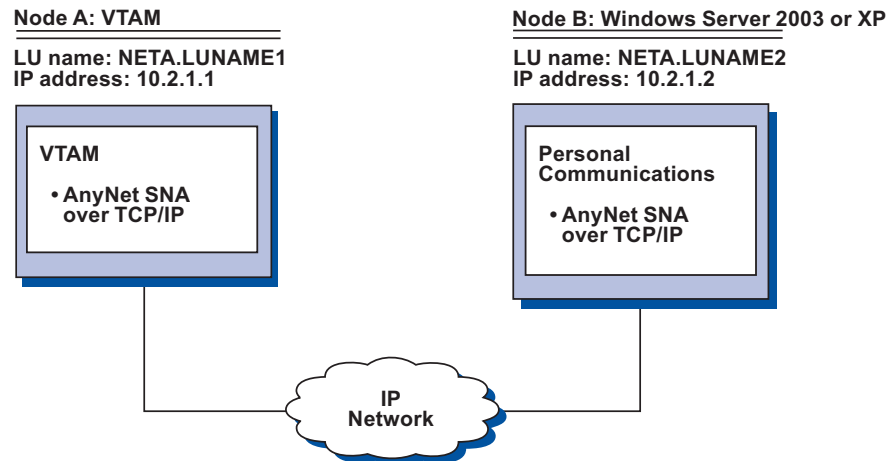


Figure 20. APPC3270 Emulation over a TCP/IP Network

Follow these steps to establish communication between the VTAM host (Node A) and the Windows 2003 workstation (Node B).

For VTAM Node A, add the following entry to the local HOSTS file:

```
10.2.1.2 LUNAME2.NETA.SNA.IBM.COM
```

For Windows 2003 Node B, do as follows:

1. Add the following entry to the local HOSTS file:


```
10.1.1.1 LUNAME1.NETA.SNA.IBM.COM
```
2. Create a workstation profile using the Personal Communications configuration tool:
 - a. Click the Start/Configure Session icon; or click **Configure** from the **Communication** menu. The Customize Communication window is displayed.
 - b. Select the following options:
 - **Host: zSeries**
 - **Interface: AnyNet**
 - **Attachment: APPC3270**
 - c. Click **Configure**.
 - d. Click **Configure Link**.
 - e. On the Configure Local System window, enter:


```
PC Location Name: NETA.LUNAME2
```
 - f. On the Configure Logical Connection window, enter:
 - **System location name: NETA.LUNAME1**
 - **Routing Preference: Nonnative only**
 - g. On the Configure AnyNet Connection window, enter:


```
SNA domain name suffix: SNA.IBM.COM
```
 - h. Save your workstation profile.

Example 4. 3270 Emulation via DLUR over a TCP/IP Network

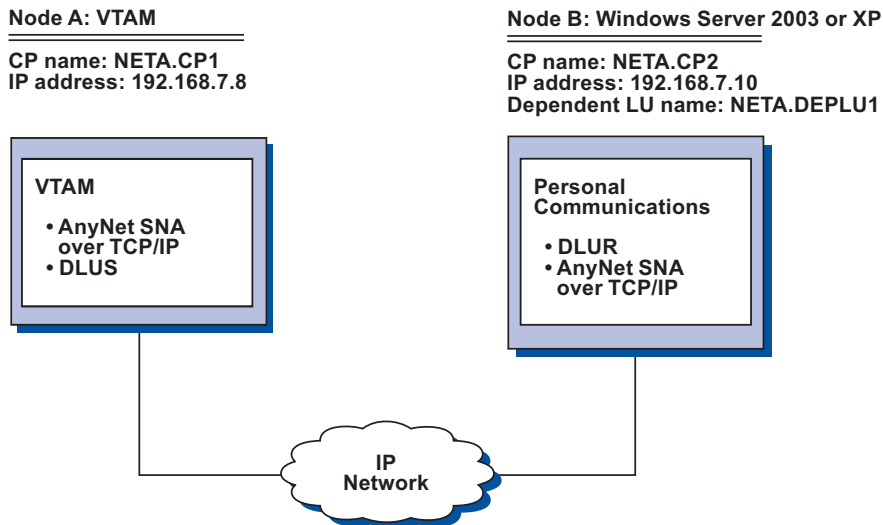


Figure 21. 3270 Emulation via DLUR over a TCP/IP Network

Follow these steps to establish communication between the VTAM Host (Node A) and the Windows 2003 workstation (Node B).

For VTAM Node A, add the following entry to the HOSTS file:

```
192.168.7.10 CP2.NETA.SNA.IBM.COM
192.168.7.10 DEPLU1.NETA.SNA.IBM.COM
```

For Windows 2003 Node B, do as follows:

1. Add the following entry to the local HOSTS file:


```
192.168.7.8 CP1.NETA.SNA.IBM.COM
```
2. Create a workstation profile using the Personal Communications configuration tool:
 - a. Click on the **Start/Configure Session** icon; or click **Configure** from the **Communication** menu. The Customize Communication window is displayed.
 - b. Select the following options:
 - **Host: zSeries**
 - **Interface: AnyNet**
 - **Attachment: TCP/IP LU 0,1,2,3 via DLUR**
 - c. Click **Configure**.
 - d. Click **Configure Link**.
 - e. On the Configure Local System window, enter:

PC Location Name: NETA.CP2
 - f. On the Configure DLUR window, enter:
 - **DLUS name: NETA.CP1**
 - **Routing Preference: Nonnative only**
 - g. On the Configure AnyNet Connection window, enter:

SNA domain name suffix: SNA.IBM.COM
 - h. Save your workstation profile.

Example 5. 3270 Emulation over a TCP/IP Network via a SNA Gateway to a VTAM Host on a SNA Network

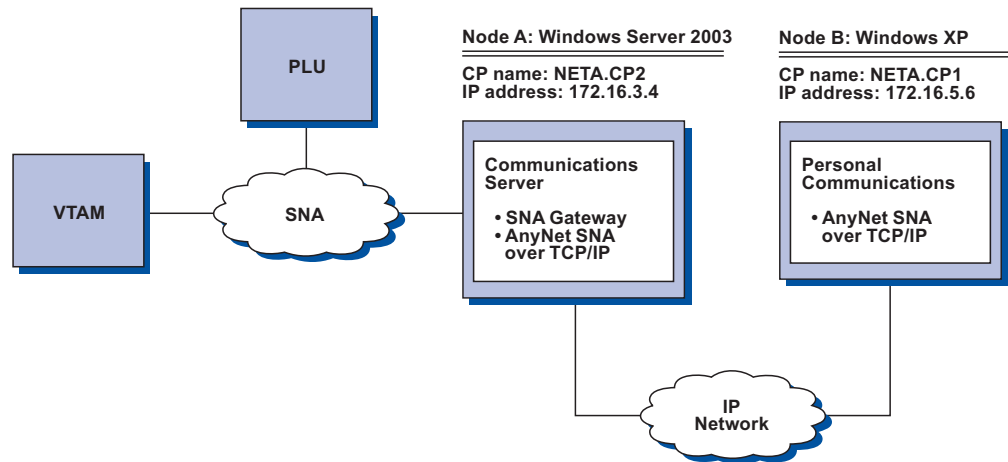


Figure 22. 3270 Emulation over a TCP/IP Network via a SNA Gateway to a VTAM Host on an SNA Network

For Windows Server 2003 Node A, add the following entry to the HOSTS file:

```
172.16.5.6 CP1.NETA.SNA.IBM.COM
```

Follow these steps to establish communication between the Windows XP workstation (Node B) and the VTAM host.

For Windows XP Node B, do as follows:

1. Add the following entry to the local HOSTS file:

```
172.16.3.4 CP2.NETA.SNA.IBM.COM
```

2. Create a workstation profile using the Personal Communications configuration tool:
 - a. Click on the **Start/Configure Session** icon; or click **Configure** from the **Communication** menu. The Customize Communication window is displayed.
 - b. Select the following options:
 - **Host: zSeries**
 - **Interface: AnyNet**
 - **Attachment: TCP/IP LU 0,1,2,3**
 - c. Click **Configure**.
 - d. Click **Configure Link**.
 - e. On the Configure Local System window, enter:
 - PC Location Name: NETA.CP1**
 - f. On the Configure AnyNet Connection window, enter:
 - **SNA domain name suffix: SNA.IBM.COM**
 - **Fully qualified CP name: NETA.CP2**
 - g. Save your workstation profile.

Example 6. 3270 Emulation via an SNA Gateway over a TCP/IP Network

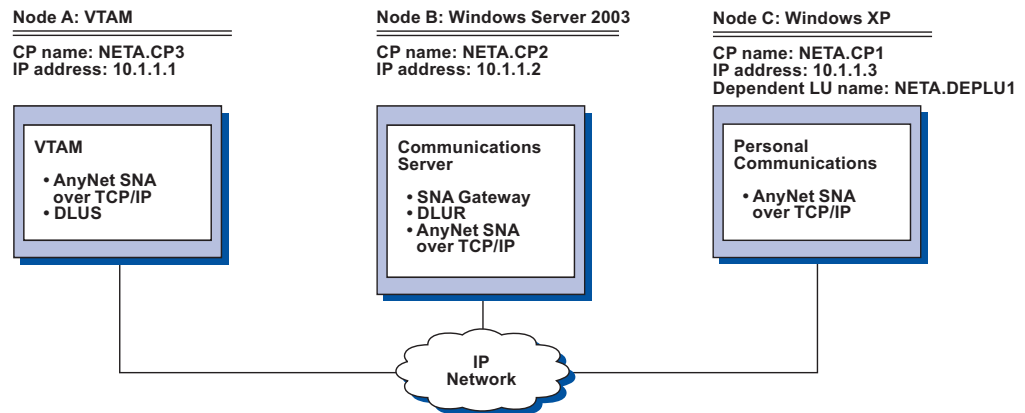


Figure 23. 3270 Emulation via an SNA Gateway over a TCP/IP Network

Follow these steps to establish communication between the Windows XP Workstation (Node C) and the VTAM host (Node A).

For VTAM Node A, add the following entry to the HOSTS file:

```
10.1.1.2 CP2.NETA.SNA.IBM.COM
10.1.1.2 DEPLU1.NETA.SNA.IBM.COM
```

For Windows Server 2003 Node B, add the following entry to the HOSTS file:

```
10.1.1.3 CP1.NETA.SNA.IBM.COM
10.1.1.1 CP3.NETA.SNA.IBM.COM
```

For Windows XP Node C, do as follows:

1. Add the following entry to the local HOSTS file:


```
10.1.1.2 CP2.NETA.SNA.IBM.COM
```
2. Create a workstation profile using the Personal Communications configuration tool:
 - a. Click the **Start/Configure Session** icon; or click **Configure** from the **Communication** menu. The Customize Communication window is displayed.
 - b. Select the following options:
 - **Host:** zSeries
 - **Interface:** AnyNet
 - **Attachment:** TCP/IP LU 0,1,2,3
 - c. Click **Configure**.
 - d. Click **Configure Link**.
 - e. On the Configure Local System window, enter:


```
PC Location Name: NETA.CP1
```
 - f. On the Configure AnyNet Connection window, enter:
 - **SNA domain name suffix:** SNA.IBM.COM
 - **Fully qualified CP name:** NETA.CP2
 - g. Save your workstation profile.

Example 7. 3270 Emulation over a TCP/IP Network via an AnyNet SNA/IP Gateway to a VTAM Host on an APPN Network

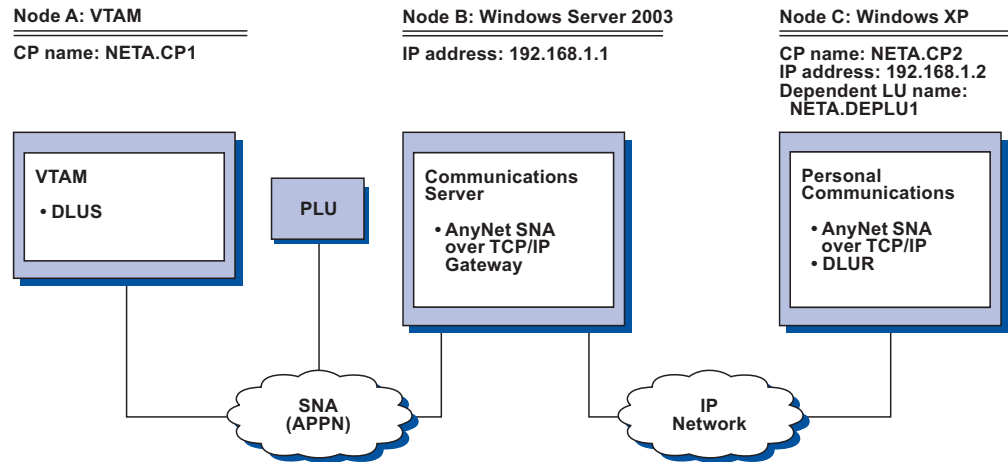


Figure 24. 3270 Emulation over a TCP/IP Network via an AnyNet SNA/IP Gateway to a VTAM Host on an APPN Network

Follow these steps to establish communication between the Windows Server 2003 workstation (Node B) and the Windows 2000 workstation (Node C).

For Windows Server 2003 Node B, add the following entries to the HOSTS file:

```
192.168.1.2 CP2.NETA.SNA.IBM.COM
127.0.0.2 DEPLU1.NETA.SNA.IBM.COM
192.168.1.2 DEPLU1.NETA.SNA.IBM.COM
```

For Windows XP Node C, do as follows:

1. Add the following entry to the local HOSTS file:


```
192.168.1.1 CP1.NETA.SNA.IBM.COM
```
2. Create a workstation profile using the Personal Communications configuration tool:
 - a. Click the **Start/Configure Session** icon; or click **Configure** from the **Communication** menu. The Customize Communication window is displayed.
 - b. Select the following options:
 - **Host: zSeries**
 - **Interface: AnyNet**
 - **Attachment: TCP/IP LU 0,1,2,3 via DLUR**
 - c. Click **Configure**.
 - d. Click **Configure Link**.
 - e. On the Configure Local System window, enter:


```
PC Location Name: NETA.CP2
```
 - f. On the Configure DLUR window, enter:
 - **DLUS name: NETA.CP1**
 - **Routing Preference: Nonnative only**
 - g. On the Configure AnyNet Connection window, enter:


```
SNA domain name suffix: SNA.IBM.COM
```
 - h. Save your workstation profile.

Example 8. 3270 Emulation from a Windows XP Workstation on Different IP Networks

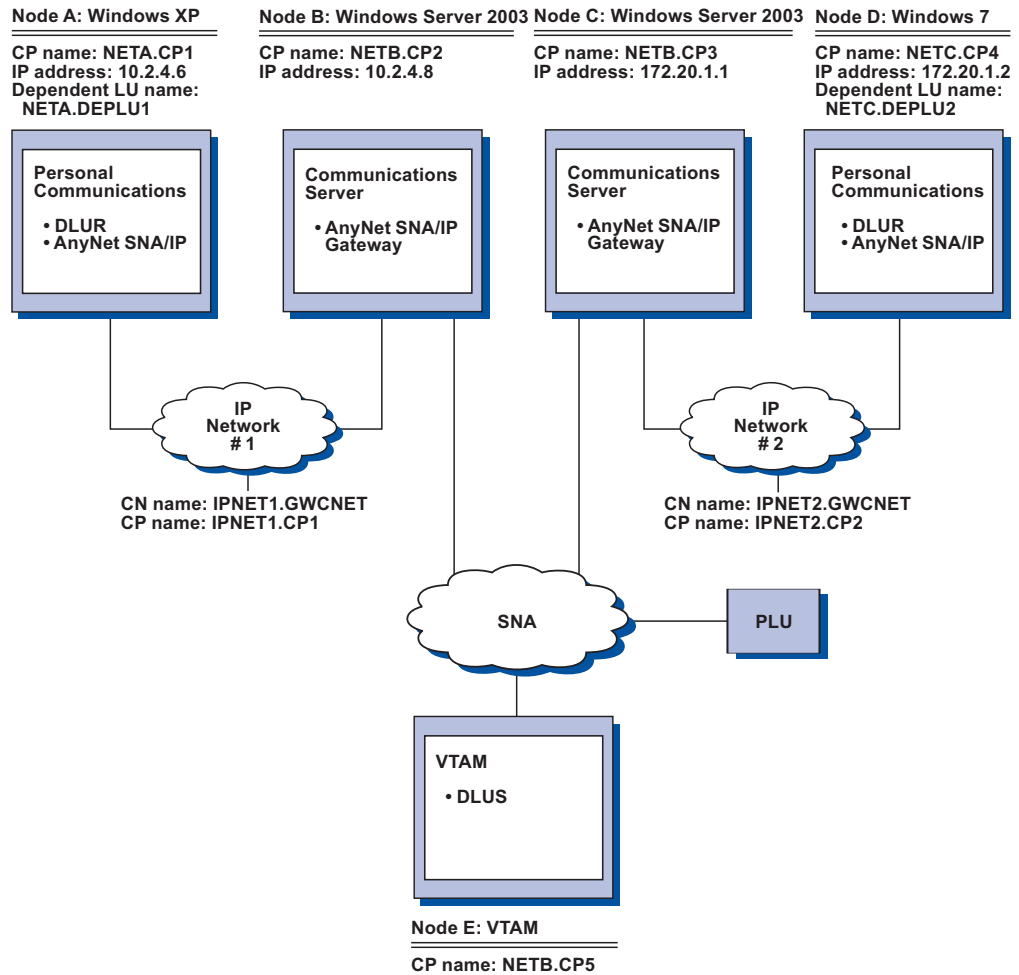


Figure 25. 3270 Emulation on Different IP Networks

Follow these steps to establish communication from the Windows XP workstation (Node A), and from Windows 7 (Node D), to the VTAM Host (Node E).

For Windows XP Node A, do as follows:

1. Add the following entries to the local HOSTS file:

```
10.2.4.8    CP5.NETB.SNA.IBM.COM
127.0.0.4  IPNET1.GWCNET
127.0.0.3  IPNET1.CP1
```

2. Create a workstation profile using the Personal Communications configuration tool:
 - a. Click on the **Start/Configure Session** icon; or click **Configure** from the **Communication** menu. The Customize Communication window is displayed.
 - b. Select the following options:
 - **Host: zSeries**
 - **Interface: AnyNet**
 - **Attachment: TCP/IP LU 0,1,2,3 via DLUR**

- c. Click on **Configure**.
- d. Click on **Configure Link**.
- e. On the Configure Local System window, enter:
PC Location Name: NETA.CP1
- f. On the Configure DLUR window, enter:
 - **DLUS name: NETB.CP5**
 - **Routing Preference: Non-native only**
- g. On the Configure AnyNet Connection window, enter:
SNA domain name suffix: SNA.IBM.COM
- h. Save your workstation profile.

For Windows Server 2003 Node B, add the following entries to the HOSTS file:

```
10.2.4.6    CP1.NETA.SNA.IBM.COM
127.0.0.2  DEPLU1.NETA.SNA.IBM.COM
10.2.4.6    DEPLU1.NETA.SNA.IBM.COM
127.0.0.4  IPNET1.GWCNET
127.0.0.3  IPNET1.CP1
```

For Windows Server 2003 Node C, add the following entries to the HOSTS file:

```
172.20.1.2 CP4.NETC.SNA.IBM.COM
127.0.0.2  DEPLU2.NETC.SNA.IBM.COM
172.20.1.2 DEPLU2.NETC.SNA.IBM.COM
127.0.0.4  IPNET2.GWCNET
127.0.0.3  IPNET2.CP2
```

For Windows 7 Node D, do as follows:

1. Add the following entry to the local HOSTS file:

```
172.20.1.1 CP5.NETB.SNA.IBM.COM
127.0.0.4  IPNET2.GWCNET
127.0.0.3  IPNET2.CP2
```

2. Create a workstation profile using the Personal Communications configuration tool:
 - a. Click the **Start/Configure Session** icon; or click **Configure** from the **Communication** menu. The Customize Communication window is displayed.
 - b. Select the following options:
 - **Host: zSeries**
 - **Interface: AnyNet**
 - **Attachment: TCP/IP LU 0,1,2,3 via DLUR**
 - c. Click **Configure**.
 - d. Click **Configure Link**.
 - e. On the Configure Local System window, enter:
PC Location Name: NETC.CP4
 - f. On the Configure DLUR window, enter:
 - **DLUS name: NETB.CP5**
 - **Routing Preference: Nonnative only**
 - g. On the Configure AnyNet Connection window, enter:
SNA domain name suffix: SNA.IBM.COM
 - h. Save your workstation profile.

Chapter 13. SNA Node Operations

SNA Node Operations enable you to display information and manage the node for certain Personal Communications resources, which can be useful when operating the SNA node. The following tasks are supported:

- Starting and stopping resources
- Deleting resources
- Displaying resource information
- Changing session limits
- Initiating path switches

The configuration information for an SNA Node is stored in an ASCII file, with the extension .ACG. You can edit the file by launching SNA Node Configuration. To ensure that your new configuration is correct, use the Verification tool.

You can display information or take action on resources if you start 3270, 5250, or any client/server sessions with one of the following attachment types:

zSeries Connections

LAN LAN via IEEE 802.2
3270 via iSeries
APPC 3270 via LAN
Dependent Logical Unit Requester (DLUR)
3174 Peer Communication

COM port

SNA-over-Async
IBM Global network — SNA-over-Async
Dependent Logical Unit Requester (DLUR) via:

- SNA-over-Async
 - Hayes AutoSync
- APPC 3270 via:
- SNA-over-Async
 - Hayes AutoSync
 - X.25 Hayes AutoSync
 - X.25 DLUR via Hayes AutoSync
 - X.25 APPC 3270 via Hayes AutoSync

SDLC Synchronous Data Link Control
3270 via iSeries (passthru)
APPC 3270 via SDLC
Dependent Logical Unit Requester (DLUR)

SNA/IP

LU 0, 1, 2, 3
APPC 3270
LU 0, 1, 2, 3 via DLUR

IBM-EEDLC

LU (0, 1, 2, 3) via DLUR)
APPC 3270

OEM LU (0, 1, 2, 3)
3270 via iSeries (passthru)
APPC 3270
Dependent Logical Unit Requester (DLUR)

iSeries Connections

LAN LAN via IEEE 802.2

COM port

SNA-over-Async

Hayes AutoSync

X.25 Hayes AutoSync

SDLC Synchronous Data Link Control

SNA/IP

5250

IBM-EEDLC

5250

OEM APPC 5250

Client/Server Connections

LAN LAN via IEEE 802.2

COM port

SNA-over-Async

Hayes AutoSync

X.25

SDLC Synchronous Data Link Control

AnyNet SNA over TCP/IP

APPC

Enterprise Extender

HPR over IP

SNA resources that can be displayed or managed include the following:

Connection Networks

Allows APPN nodes in a LAN to have direct links with each other without requiring logical link definitions at each node.

Connections

Link stations to the adjacent nodes.

CPI-C Side Information

Associate a set of parameters with a specified symbolic destination name.

Data Link Controls

How data is formatted for transmission on the physical connection.

Devices

Parts of the workstation hardware, such as adapters, that are used to transmit and receive data.

DLUR PUs

A dependent logical unit requester (DLUR) physical unit (PU) is a PU in an APPN end node that owns dependent LUs, but requests that a dependent LU server provide the SSCP services for those dependent LUs.

Focal Points

A system that provides centralized network management services.

Local LU 0 to 3

A local logical unit (LU) type 0, 1, 2, or 3 is a dependent LU on the workstation that provides services for 3270 terminal and printer emulation applications.

Local LU 6.2

A local logical unit (LU) type 6.2 is an independent or dependent LU that provides APPC services.

LU 6.2 Sessions

Transports data between two partner LU 6.2s. Conversations between transaction programs use LU 6.2 sessions.

Mode The name used by the initiator of a session to designate the characteristics desired for the session, such as traffic pacing values, message-length limits, sync point and cryptography options, and the class of service (COS) within the transport network.

Node The control point that manages the node and its associated resources. The local node provides APPN services.

Partner LU 6.2

A remote computer that communicates through an APPC session with local LU 6.2s.

RTP Connections

In high-performance routing (HPR), a rapid transport protocol (RTP) connection is the connection established between the endpoints of the route to transport session traffic.

Transaction Programs

A transaction program (TP) is a program that processes transactions in an SNA network. There are two kinds of TPs: application transaction programs and service transaction programs.

Starting Node Operations

To start Node Operations, click the **SNA Node Operations** icon in the Personal Communications folder; or, from an active session window, click **Actions** → **Launch** → **SNA Node Operations**.

Using the Menu Bar

From the menu bar of the SNA Node Operations utility, click one of the following:

Operations

To start or stop a SNA node.

To start a node, select the configuration file you want to use.

To change session limits (CNOS).

To apply a new configuration file, select the configuration file you want to use.

Launch

To launch to other Personal Communications programs, such as Log Viewer, Trace Facility, or SNA Node Configuration.

View To modify the layout of your Personal Communications window (Tool bar or Status bar).

To select resource attributes, which allows you to customize the display of SNA resource attributes.

To view frequently used resources, such as:

- Node
- Connections
- Local LU 0 to 3
- Partner LUs
- LU 6.2 sessions

Window

To modify the layout of your Personal Communications window.

Help

To view the Personal Communications online help.

Displaying a Resource

To display a resource, select a resource from the pull-down list on the toolbar.

Starting a Resource

To start a resource:

1. Select a resource from the pull-down list on the toolbar.
 2. Select the first column of the item, and right mouse click to display the pop-up menu.
 3. Click **Start** to start the resource. A started (active) resource can be stopped, but not deleted.
-

Stopping a Resource

There are two ways of stopping a resource:

Normal Stop

Performs clean up and then stops the resource.

Abnormal Stop

Immediately stops the resource.

To stop a resource:

1. Select a resource from the pull-down list on the tool bar.
 2. Select the first column of the item, and right mouse click to display the pop-up.
 3. Select **Normal Stop** or **Abnormal Stop** to suspend the resource. If a resource is stopped (inactive), it can be deleted or redefined.
-

Deleting a Resource

To delete a resource:

1. Select a resource from the pull-down list on the tool bar.
2. Select the first column of the item, and right mouse click to display the pop-up.
3. Select **Delete** to delete the resource.

You should stop a resource (make it inactive) before redefining it. You do not need to delete the resource before redefining it.

Changing an HPR Path Switch

To perform a high performance routing (HPR) path switch:

1. Select **RTP connections** from the pull-down list on the tool bar.
2. Select the first column of the item, and right mouse click to display the pop-up.
3. Select **HPR path switch** to change the path for the data on this RTP connection.

Updating SNA Resources Dynamically

It is not necessary to delete an SNA resource before redefining it. A resource must be inactive, however, when you redefine it.

If a redefinition is rejected for a reason other than that the resource is active, a STATE_CHECK return code is returned as well as a specific secondary return code, as listed in the NOF specification. Most rejections are due to inconsistencies in the configuration, such as one of the following:

- Attempting to define an LS with the adjacent CP name set to the local CP name.
- Attempting to define two link stations on a non-switched port with the same destination address.

Such rejections occur regardless of whether you are defining a resource for the first time or redefining it.

Keep in mind the following when redefining resources:

- You cannot change the `ls_role` of a port that has link stations defined on it. The link stations must be deleted before the port role can be changed (because an LS may default to the port `ls_role`).
- You cannot change the type of a named DLC. The DLC definition must be deleted before the same name can be reused for a DLC of a different type.

Command-Line Utilities

Another way to perform SNA Node operations is to use the command line. Five command line programs are available to perform basic operations for the SNA Node.

CSSTART [**-p** | **-q** | **-c** | **-a**] [**-m** | **-d**] [**cfgfile**]

Use the CSSTART command to start the SNA Node with a specified configuration. The **-a** flag enables automatic start up after rebooting the machine. The **-d** flag sets the default SNA node configuration file. The **-m** flag stands for manual start which disables automatic start up after rebooting the machine. If the **-p** flag is used, all messages are shown in a message box pop-up. Messages are written to *stdout* by default. The **-q** flag suppresses all output. The **-h** flag summons the help data for this command. The **cfgfile** parameter is the name of the configuration file you want to use to start the product. If no **cfgfile** parameter is specified, the default configuration file is used. If no default configuration file has been set, an error is reported. If the node is successfully started, CSSTART returns zero, otherwise a nonzero value is returned.

CSSTOP [**-p** | **-q** | **c**] [**-h**]

Use the CSSTOP command to stop the SNA Node. The flags have the same meaning as for CSSTART. If the node is successfully stopped then CSSTOP returns zero, otherwise a nonzero value is returned. The **-c** flag convert output to Windows code page. This option is intended to use with the Tivoli-integration support for Personal Communications .

CSQUERY [**-p** | **-q** | **c**] [**-h**]

Use the CSQUERY command to query the status of the SNA Node. The flags have the same meaning as for CSSTART. Along with the status, the default and active configuration file names are shown. If the node is running, then CSQUERY returns zero; otherwise a nonzero value is

returned. The **-c** flag convert output to Windows code page. This option is intended to use with the Tivoli-integration support for Personal Communications .

CSDSPY {resource [resource_id] [/D#]} [/C][-h]

Displays information about SNA node resources, where:

resource

One of the following:

- AIL** AnyNet IP to LU mapping
- CNT** Connection networks
- CON** Connections
- CPS** CPI-C side information
- DLC** Data link controls
- DEV** Devices
- DPU** DLUR PUs
- FPT** Focal Points
- LU0** Local LU 0 to 3
- L62** Local LU 6.2
- L6S** LU 6.2 sessions
- MOD** Modes
- NOD** Nodes
- PLU** Partner LU 6.2
- RTP** RTP connections
- TRP** Transaction programs

object_id

Specifies a case-sensitive value (for example, LU001 or LINK001) to search for. Only objects whose first attribute matches this value are displayed. The **object_id** must be spelled correctly, including case (upper and lower). An incorrect **object_id** will result in nothing being displayed.

/D# Specifies the level of detail to display. # has the value 1, 2, or 3, where 1 displays the least level of detail and 3 shows all information. 2 is the default.

The **-c** flag convert output to Windows code page. This option is intended to use with the Tivoli-integration support for Personal Communications .

CSMODIFY {resource resource_id action} [/C][-h]

Enables you to control SNA node resources, where:

resource

Is one of the following:

- CON** Connections. You can start, stop, or delete this resource.
- CPS** CPI-C side information. You can delete this resource.
- DLC** Data link controls. You can start, stop, or delete this resource.

- DEV** Devices. You can start, stop, or delete this resource.
- DPU** DLUR DPUs. You can start or stop this resource.
- LU0** Local LU 0 to 3. You can delete this resource unless the LU is in use.
- L62** Local LU 6.2. You can delete this resource.
- RTP** RTP connections. You can switch the path of this resource.

object_id

Specifies a case-sensitive value (for example, LU001 or LINK001) to search for. Only objects whose first attribute matches this value are displayed. The object id must be spelled correctly, including case (upper and lower). An incorrect object id will result in an error being displayed.

action One of the following:

- SN** Normal stop
- SI** Immediate stop
- ST** Start
- DL** Delete
- PS** Path switch

[-h] This switch is used to summon help data for this command.

The **-c** flag convert output to Windows code page. This option is intended to use with the Tivoli-integration support for Personal Communications .

Chapter 14. SNA Cryptography Support

SNA session-level encryption (SLE) enables secure data transfer between nodes running SNA applications. The request units (RUs) for all the SNA traffic across the selected session are encrypted. Software encryption/decryption is implemented with the Application Manager for Data Security (AMDSEC) utility. AMDSEC is a software implementation of the Common Cryptographic Architecture verbs used by SNA Session Level Encryption (SLE). A subset of these verbs are implemented and they are the ones required to allow data confidentiality.

Because this is a complete software implementation, it will be slower than the conventional hardware-based encryption. SNA SLE is only supported for Windows Server 2003 and XP platforms. Some of the supported environments are as follows:

- 3270 emulation
- APPC/CPI-C client-server applications
- APPC over TCP/IP

The key-encrypting keys can be added or accessed using the command-line utility `amdsec.exe`, which is available in the Personal Communications installation directory.

Enabling and Using Session-Level Encryption

Configuring Proper Key-Encrypting Keys

Enter the key-encrypting keys before performing any operation. KEKs are shared between the LUs that are going to be involved. KEKs reside in key storage (.kek file) and are used to protect data (session) keys when they are sent to the partner node or Logical Unit (LU).

The following commands are available to add or modify these keys:

amdsec clear

This command clears the AMDSEC key storage. All key-encrypting keys are discarded.

amdsec pass <new passphrase>

This command sets the AMDSEC passphrase. Using this passphrase, the key-encrypting keys are secured before they go to the storage file (by encryption). The default passphrase is **amdsec security**

amdsec addkey <label> <key value> <key form> <option>

`amdsec` adds a key-encrypted key to key storage.

- **<label>** is the key label for this KEK (up to 5 key label tokens of 8 bytes each). See "Naming Labels for KEKs" on page 128 for further details.
- **<key value>** is the KEK value. It must be 16 bytes in hexadecimal (32 hex digits), optionally separated by the - (hyphen) character.
- **<key form>** is the value **importer** or **exporter**.
- **<option>** is the value **translate**. Specify this option to have the translate attribute for this key.

This parameter is optional. Data key translate is required only when you are running APPN encryption.

Example:

```
amdsec addkey cm@1u@im.netid.cpnam1.netid.lunam2
8182-d4e7-836a-4d6f-8182-d4e7-830a-4d6f importer
```

```
amdsec addkey cm@1u@ex.netid.cpnam2.netid.lunam1
8182-d4e7-836a-4d6f-8182-d4e7-830a-4d6f exporter
```

When entering KEKs, it is often easier to edit the commands in a batch (.bat) file and then execute the command to enter your keys in key storage.

amdsec repkey <label> <key value> <key form> <option>

amdsec replaces a key-encrypted key in key storage.

- **<label>** is the key label for this KEK (up to 5 key label tokens of 8 bytes each). See “Naming Labels for KEKs” for further details.
- **<key value>** is the KEK value. It must be 16 bytes in hexadecimal (32 hex digits), optionally separated by the - (hyphen) character.
- **<key form>** is the value **importer** or **exporter**.
- **<option>** is the value **translate**. Specify this option to have the translate attribute for this key.

This parameter is optional. Data key translate is required only when you are running APPN encryption.

Example:

```
amdsec repkey cm@1u@im.netid.cpnam1.netid.lunam2
8182-d4e7-836a-4d6f-8182-d4e7-830a-4d6f importer
```

```
amdsec repkey cm@1u@ex.netid.cpnam2.netid.lunam1
8182-d4e7-836a-4d6f-8182-d4e7-830a-4d6f exporter
```

amdsec list

amdsec lists your KEK labels in key storage.

Example:

```
amdsec list
```

Naming Labels for KEKs

Key Labels for Dependent LU Encryption

The key label when implementing session level encryption for dependent LU sessions uses the the following naming convention:

```
CM@LU@IM.mynet1.cpnamea.puname.locaddr
```

- **CM** is a constant prefix
- **@** is a constant delimiter
- **LU** identifies an LU key-encrypting key
- **IM** identifies an importer key-encrypting key
- **netid1.cpname1** is the fully qualified name of the local node where the key-encrypting key will be used
- **puname** is the PU name of the subarea or DLUR PU, as configured in Communications Server
- **locaddr** is the network addressable unit address or local address of the dependent LU. It has to be of the form **nnn** with possible values from 1 to 255 (for example, 001, 002, 003, . . ., 255)

Note: For encryption of dependent LU sessions you only need importer KEKs in the Communications Server node, because LUA sessions are always secondary.

Key Labels for APPC Encryption

The following key labels are used for the key-encrypting keys:

CM@LU@IM.netid1.cpname1.netid.luname

CM@LU@EX.netid1.cpname1.netid.luname

- **CM** is a constant prefix
- **@** is a constant delimiter
- **LU** identifies an LU key-encrypting key
- **IM** identifies an importer key-encrypting key
- **EX** identifies an exporter key-encrypting key
- **netid1.cpname1** is the fully qualified name of the local node where the key-encrypting key will be used
- **netid.luname** is the fully qualified name of the partner LU

Note: In APPC, an independent LU can initiate a session (primary LU) or it can be secondary when the partner LU initiates the LU 6.2 session. If the LU initiates a session, an exporter KEK is required in key storage. Otherwise, an importer KEK will be used.

Enabling Cryptography in SNA Node Configuration

Open the SNA Node Configuration utility (pcscfg.exe). In the **Connection Configuration** section of the LU you are planning to use, select the **Use Cryptography** option.

Note: For LU 6.2, a mode has to be defined with **Use Cryptography** enabled in the **Configure Modes → Advanced** panel. That mode has to be used while connecting to the peer LU

Part 4. National Language Support

Chapter 15. Multiple-Language Support

Personal Communications multiple-language support provides the capability to allow users to interact with more than a single language on their workstations. Prior versions allowed for different languages to be displayed in emulator sessions; now, the Windows graphical user interface elements of the Personal Communications user interface can be tailored to the languages of users, allowing more flexibility in configuring and using Personal Communications.

This chapter provides a basic description of these facilities. Refer to *Quick Beginnings* for a description of the procedures for changing your configured user interface language. The particulars of installing the support are described in *Installation Guide*.

Overview

There are two system-related factors which govern the usage of multiple languages by Personal Communications users:

System Locale

This is set in the Windows Regional and Language Options under the control panel applet; it determines what system user interface languages can be viewed.

Language Groups

Each system locale is associated with a language group; some groups have only one language; others support several, allowing for simultaneous viewing of applications in more than one language.

System Locale

When you choose a language on the Regional Settings (or Options) screen, a system locale is established as the basis for interacting with the system; Windows interactions of certain applications (such as Personal Communications) are governed by this setting.

Personal Communications uses the settings specified in **Regional and Language Options → Advanced → Language for non-Unicode programs**.

Notes:

1. Windows common dialogs, such as file open and print, may not change to match the system locale; they will be displayed in the language chosen when Windows was installed.
2. The actions needed to switch system locales depend on the languages installed and the version of Windows. Refer to your Windows documentation for details.

Language Groups

The system locale set when Windows is started determines which Windows/ANSI code page is used by applications; in turn, this code page determines which language group an application can use. The language groups and languages supported for Personal Communications user interface are:

Cyrillic

Russian

Japanese

Japanese

Latin 1

- Brazilian-Portuguese
- Danish
- Dutch
- English
- Finnish
- French
- German
- Italian
- Norwegian
- Portuguese
- Spanish
- Swedish

Latin 2

- Czech
- Hungarian
- Polish
- Slovenian

Turkish

Turkish

Notes:

1. For Windows XP, most language groups are installed by default. You can specify supplemental language support.
2. English text can be displayed for any system locale without significant corruption. Therefore, English is an implicit member of each language group.
3. There are additional languages supported for host emulation sessions; these groups only concern user interface language.

Personal Communications User Interface Languages

It is important to understand how Personal Communications uses the capability for supporting multiple languages. Like other applications, Personal Communications can use any language within the language group for which the current system locale is set. As an administrator, you have the ability to change that locale, using the Windows Regional Settings control panel applet.

There are several considerations to keep in mind:

- There is a default Personal Communications user interface language; this is set at installation, and applies to every user of the Windows system.

Note: This default is set to match the Windows user default locale.

- The Personal Communications user interface language is a preference that is stored per user; thus, a shared workstation can support users of different languages.

- If a user does not have a user interface language preference defined, Personal Communications uses the Personal Communications default language for that machine.
- If the user's language preference cannot be displayed (because of a language group mismatch) the user interface is in the Personal Communications default language; a warning is displayed.
- If the Personal Communications default language is incompatible with the system language, English is used as the default.
- Each user in a client/server or Windows Terminal Server (WTS) environments can have his own Personal Communications user interface language.

Multiple Sessions

It is possible to open multiple Personal Communications emulation sessions simultaneously; in previous versions of Personal Communications these sessions could interact with hosts of different languages.

It is also possible to have simultaneous sessions with different user interface languages; this is only possible for languages within a language group. In order to do this, you start a session in one language, then change the Personal Communications configuration to another language; when you then start a new session, it will use the newly selected language.

Other Considerations

To prevent the generation of log files in several languages the Personal Communications log file is recorded in the default Personal Communications user interface language.

Some of the Personal Communications components (such as LLC2 drivers) do not require multiple-language support; they only use the default Personal Communications language.

Some Personal Communications components (the keyboard customizer, keypad, play/record, copy/paste and macro components, for example) record, store, and insert language-sensitive text into Personal Communications sessions. It should be noted that text created in one language group may be corrupted and meaningless when inserted in a session running under another language group. For instance, keyboard customizer text created on a Japanese Personal Communications configuration will not be readable on a French configuration.

Chapter 16. Country Codes and Character Sets

This chapter contains information useful in providing national language support for a network station or a gateway.

Table 4. Supported Keyboard Types

Keyboard Type (Characteristics)	Figure
Space Saving (single row of function keys; no numeric keypad)	
Enhanced and Microsoft Natural (single row of function keys; numeric keyboard)	
5576-001 (Japanese keyboard with double row of function keys; numeric keypad)	
5576-002 (Japanese keyboard with single row of function keys; numeric keypad)	
5576-003 (Japanese keyboard with single row of function keys; no numeric keypad)	
5576-A01 (Japanese keyboard with single row of function keys; numeric keypad)	

Keyboard Country ID and Shift Support

Table 5 shows the keyboard country ID and shift support for each country.

Table 5. Keyboard Country ID and Shift Support

Keyboard Country	Enhanced Keyboard ID	Enhanced Keyboard-Lock Mode
Arabic-speaking	238, 239, 240, 253, 254	C
Austria	129	S
Baltic		
Estonia	442	C
Latvia	463	C
Lithuania	449	C
Belgium	120	S
Brazil	275	C
Canada (Bilingual)	058	C
Canada (445)	445	C
Cyrillic		
Bulgaria	442	C
Belarus	463	C
FYR Macedonia	449	C
Russia (441)	441	C
Russia (443)	443	C
Serbia / Montenegro	450	C
Ukraine	465	C
Denmark	159	C
Finland	153	C
France (120)	120	C
France (189)	189	S
Germany	129	S
Greece	319	C
Iceland	197	C
Israel	115	C
Italy (141)	141	C
Italy (142/293)	142	C
Japan	-	C
Laos	466	C
Latin America (Spanish)	171	C
Latin 1 (Open Systems)	1047	697
Latin 2		
Bosnia / Herzegovina (Latin)		C
Croatia	234	C
Czech Republic	234	C
Hungary	243	C
Poland	208	C
Romania (Moldavia)	457, 214	C
Slovakia	446	C
Slovenia	245	C
	234	C

Table 5. Keyboard Country ID and Shift Support (continued)

Keyboard Country	Enhanced Keyboard ID	Enhanced Keyboard-Lock Mode
Netherlands	143	C
Norway	155	C
Portugal	163	C
Spain	173	C
Sweden	153	C
Switzerland (French)	150F	C
Switzerland (German)	150G	C
Turkey (179/402)	179	C
Turkey (440)	440	C
U.K. (166)	166	C
U.K. (168)	168	C
U.S. (English)	101G	C
Vietnam	461	C
Note: – Not selectable S Shift lock on key 30 C Caps lock on key 30		

IBM Japanese Character Set (2-Byte Codes)

The IBM Japanese character set defines characters that consist of 2-byte codes.

Character Types

The following characters are included in this character set:

- Basic kanji set
- Basic non-kanji set: alphabet, numerals, Katakana, Hiragana, symbols, and space
- Extended kanji set
- New extended kanji set
- New extended non-kanji set
- Extended non-kanji set: Roman numerals, Greek alphabet, and Russian alphabet

In addition to these characters, you can define up to 1880 (6205 for extended Unicode subset) user-defined characters.

Character Size

A kanji character is displayed on the screen using the area of two SBCS characters; it is usually enclosed with the shift characters hex 0E and hex 0F. Similarly, when a kanji character is printed, it uses the area of two SBCS printed characters. This size is equivalent to double the area used by alphabetic, numeric, and Katakana characters when they are displayed or printed.

IBM Kanji Codes

The following tables show the relationship between kanji and IBM kanji codes.

Table 6. IBM Japanese Character Set and IBM Kanji Codes

1st byte (hex)	2nd byte (hex)	
40	41...	...FE
40	space	Reserved area
41		Extended non-kanji set 134 characters
42		Basic kanji set (includes space) 416 characters
:		
:		
44		
45		Basic kanji set 3226 characters
:		
:		
55		
56		Extended kanji set 3487 characters
:		
:		
68		
69		User-defined characters 1880 characters
:		
:		
7F		
80		Reserved area
:		
:		
FE		

Table 7. IBM Japanese Character Set and IBM Kanji Codes (Extended for Unicode Subset)

1st byte (hex)	2nd byte (hex)	
40	space	Reserved area
41		Extended non-kanji set 134 characters
42		Basic kanji set (includes space) 416 characters
43		
44		
45		Basic kanji set 3226 characters
46		
47		
55		
56		Extended kanji set 3478 characters
57		
58		
68		
69		User-defined characters 6205 characters
70		
71		
B7		
B8		New extended kanji set 5522 characters
B9		
C0		
A5		
A6		New extended non-kanji set 2035 characters
A7		
A8		
E9		
EA		Reserved area
EB		
EC		
FE		

Note: These tables do not show that all characters have a kanji code assigned. Each kanji character has a kanji number in addition to the IBM kanji code. A kanji number is a decimal number up to five digits in length, which is used for entering a kanji-like symbol from keyboards that do not have “YOMI”.

Following is the relationship between IBM kanji codes and kanji numbers:

kanji number = converted value of ((IBM kanji code) - x'4000')

All kanji characters can be entered using kanji numbers.

IBM Traditional Chinese Character Set

Table 8. IBM Traditional Chinese Host Code

	Number of Characters	Code Range	Low-Byte Range
DBCS Space	1	X'4040'	
DBCS Symbols	1003	X'4141' - X'4959'	X'41' - X'FD', skipping X'7F'
Primary Chinese	5402	X'4C41' - X'68CB'	X'41' - X'FD', skipping X'7F'

Table 8. IBM Traditional Chinese Host Code (continued)

	Number of Characters	Code Range	Low-Byte Range
Secondary Chinese	7654	X'6941' - X'91C7'	X'41' - X'FD', skipping X'7F'
User-Defined Area	6204	X'C241' - X'E2FD'	X'41' - X'FD', skipping X'7F'

IBM Simplified Chinese Character Set, GBK Code

Table 9. IBM Simplified Chinese Character Set, GBK Code

	Number of Characters	Host Code Range	PC Code Range
DBCS Space	1	X'4040'	X'A1A1'
GB 2312-80 Non-Chinese Character Set (GBK/1)		X'4141'-X'47FE' (737)	X'A1A1'-X'A9FE' (846)
GB 2312-80 Chinese Character Set (GBK/2)		X'4841'-X'6CFE' (6763)	X'B0A1'-X'F7FE' (6768)
ISO 10646-1 CJK unified ideographs (GBK/3)	6080	X'8141'-X'A0FE', X'A141'-X'A181'	X'8140'-X'A0FE' (Note 1)
ISO 10646-1 CJK unified ideographs ISO 10646-1 CJK compatibility (GBK/4)	8160	X'A182'-X'A1FE', X'A241'-X'CCFE', X'CE41'-X'CEFE'	X'AA40'-X'FEA0' (Note 1)
Big-5 Symbol Compatibility Ideographic Structure Symbols (GBK/5)		X'CD41'-X'CDFE' (148)	X'A840'-X'A9A0' (192) (Note 1)
User Definable Characters Area (UDC 1 to 3)	1894	X'7641'-X'80FE'	X'AAA1'-X'AFFE', X'F8A1'-X'FEFE', X'A140'-X'A7A0' (Note 1)
Note 1: X'7F' of second byte is excluded.			

IBM Hangeul Character Set

Table 10. IBM Hangeul Host Code (833)

	Number of Characters	Code Range	Low-Byte Range
DBCS Space	1	X'4040'	

Table 10. IBM Hangeul Host Code (833) (continued)

	Number of Characters	Code Range	Low-Byte Range
DBCS Symbols	939	X'4141' - X'4BFD'	X'41' - X'FD', skipping X'7F'
Hanja Set	5265	X'5041' - X'6C45'	X'41' - X'FD', skipping X'7F'
Hangeul and Jamo Set	2672	X'8441' - X'D3B7'	X'41' - X'FD', skipping X'7F'
User-Defined Area	1880	X'D441' - X'DDFD'	X'41' - X'FD', skipping X'7F'

Table 11. IBM Hangeul Host Code (1364)

	Number of Characters	Code Range	Low-Byte Range
DBCS Space	1	X'4040'	
Non-Hangeul/Hanja Set	1181	X'4141' - X'4E92'	X'41' - X'FE'
Hanja Set	5265	X'5041' - X'6C45'	X'41' - X'FE'
Hangeul and Jamo Set	11224	X'8441' - X'D3BD'	X'41' - X'FE'
User-Defined Area	1880	X'D441' - X'DDFD'	X'41' - X'FE'

Thai Language Support

Thai Display Mode Selection

Select **Appearance** → **Thai Compose Mode** on emulator session.

Switching Keyboard between Thai and Latin

Press either Alt+left Shift or Alt+right Shift to toggle the keyboard between Thai and Latin.

Language Shift Status

The status line of each emulator session shows a language shift indicator. If keyboard is in Thai language shift, an indicator **TH** will appear in the status line.

Thai Display Composed Mode

Mode 1: Non-compose mode

No character composition occurs in this mode.

Mode 2: Composed mode

Thai characters are auto-composed in this mode. No column realignment is performed.

Mode 3: Composed with space alignment

In this mode of composing, three consecutive spaces cause column realignment. The realignment occurs whenever composing routine finds three consecutive spaces. Thus if all fields have at least three trailing spaces, then all fields of all records will be properly aligned.

Mode 4: Composed with EOF alignment

In this mode of composing, the EOF character (Hexadecimal 'EA') also causes column realignment. Whenever the composing routine finds a single

EOF, it deletes the EOF and performs column realignment. If two consecutive EOFs are found, no realignment occurs, one EOF is deleted, and one EOF is treated as data.

Mode 5: Composed with space and EOF alignment

This mode of composing performs the column realignment function of both mode 3 and mode 4.

Printer Space Adjustment

If your printer needs space adjustment for Thai printing, add the following statement to PCSWIN.INI, which resides in the user-class application data directory:

```
[Thai]  
PrintAdjust=x
```

The value of x can be:

- 0 no adjustment (same as no PrintAdjust statement)
- 1 Perform adjustment when found three consecutive spaces
- 2 Perform adjustment when found EOF character
- 3 Perform adjustment when found three consecutive spaces or EOF character (combine 1 and 2)

Thai Scalable (Truetype) Font Support on Printers

Personal Communications provides a Thai Truetype font, ThaiPhuket. To print Thai characters, you can install a Thai scalable (Truetype) font as follows:

1. Open the **Control Panel** Folder.
 - a. Click **Start** on the task bar.
 - b. Move pointer to **Settings** and click **Control Panel**.
2. Open the **Fonts** Folder (Double-click the Fonts icon).
3. On the file menu, select **Install New Font**.
4. Click the drive and folder where Personal Communications is installed.
5. Double-click on **ThaiPhuket**.

Chapter 17. Bidirectional Language Support (Arabic and Hebrew)

Considerations for Printing

PDT printing mode requires the IBM 864 code page font to be installed for Arabic printing, and the IBM Hebrew 862 code page font for Hebrew printing.

Printing in Arabic

Using the Windows Printer Driver

To set up your printer to use a Windows printer driver, do the following:

1. In the session window, click **File** → **Printer Setup**. The Printer Setup dialog lists the supported printers.
2. Select the desired printer driver from the **Printer** list. The default value is the Windows default printer.
3. Confirm that the **Use PDT** option is clear and click **OK**.

Page Setup: For 5250 printer sessions, click the **Advanced Options** tab in the Page Setup dialog. Set the **Printer Font Code Page** to **1008**.

For 3270 sessions, click the **Text** tab in the Page Setup dialog. Set the **Font** to **Typing Arabic**.

Using Printer Definition Table (PDT) Files

To set up your printer to use a PDT file, do the following:

1. In the session window, click **File** → **Printer Setup**. The Printer Setup dialog lists the supported printers.
2. Select the desired port from the **Printer** list.
3. Select the **Use PDT** box and click **Select PDT**.
4. Select a PDT file to be used and click **OK**.

Page Setup: For 5250 printer sessions, click the **Advanced Options** tab in the Page Setup dialog. Set the **Printer Font Code Page** to **864**.

Creating an Arabic PDT file for an Arabic printer: If none of the predefined PDTs are acceptable, you can create a new one. To create a PDT, you must create a printer definition file (PDF) and then compile it to create a PDT.

You should understand a PDF's structure and the types of statements. See Chapter 20, "Building a Printer Definition Table (PDT) for PC400," on page 173 for information about building a PDT.

To customize an existing PDF file for Arabic, do the following:

1. In the macro definition dialog, define a macro containing a printer command that selects the Arabic printer font.

Define the escape sequences of the fonts that you want to use. For example,

```
/* Naseem ( 1 0 V ( s 0 p 1 5 h 9 v 0 s 0 b 3 T */
NSM EQU 1B 28 31 30 56 1B 28 73 30 70 31 35 68 39 76 30 73 30 62 33 54
```

Note: You can get the font escape sequences by printing out the font names from the printer menus.

2. Add this macro to the START_JOB escape sequence in the Control Code section of the PDF. For example,
`START_JOB=CUL CBP NSM /* Switch to Arabic Font */`
3. Save your new PDF file and copy it to the pdfpdt directory in the Personal Communications program directory.
4. In the **Printer Setup** → **Select PDT file** dialog, click **Convert PDF**.
5. Select the PDF file that you modified, and click **Convert**.
6. In the **Select PDT file** dialog, select the converted PDT file

Using Host Print Transform (5250 only)

When configuring an Arabic 5250 printer session, the Host Print Transform (HPT) mode can be selected. This mode requires that the 864 font be installed on the printer.

To use HPT, do the following:

1. Select **Printer** session type in the **Session Parameters – 5250 Host** panel. Click the **Advanced** tab.
2. Select the Host Print Transform=**Yes** option.

In the iSeries, eServer i5, or System i5 screen, do the following:

1. Specify that Host Print Transform will be used in the device description of a printer:

```
Host print transform . . . . . TRANSFORM (*YES)
```

2. Specify your printer type and model:

```
Manufacturer type and model . . MFRTYPMDL (*_____)
```

3. Ensure that the character identifier parameter is capable of handling Arabic:

```
Character identifier: CHRID  
Graphic character set . . . . . 235  
Code page . . . . . 420
```

Page Setup: Click the **Advanced Options** tab in the Page Setup dialog. Set the **Printer Font Code Page** to 864.

DAT File for 5250 Arabic

For Arabic 5250 print sessions, selecting the 420 host code page prompts Personal Communications to load the PCSPDA.DAT file. This file ensures that the host-specified fonts map properly to the **Typing Arabic** print font.

If the 037 (U.S.) host code page is selected in a Win32 OS session, the PCSPD.SAM file is loaded automatically. This file replaces the Courier font with Courier New. For 5250 sessions in OS/2, Personal Communications uses the original PCSPD.DAT file, since Euro support is implemented in Courier in OS/2, not in Courier New (as in Windows).

The user can specify the DAT file using the .ws parameter

```
DATFILE=xxxx
```

where xxxx is the name of the preferred DAT file.

Bidirectional Arabic Support

Limitations

The Bidirectional Text Assist Function is not supported in the Personal Communications iSeries component. As a result, the user cannot run Bidirectional OfficeVision/400™.

Installation Tips

To set up an Arabic workstation, do the following:

1. Select **420 Arabic Speaking** as the host code page in the **Customize Communication** panel.
2. Select **Arabic Speaking** as the keyboard layout.
3. In the **Select Display Font** panel, choose **ARB3270** at the Automatic Sizing list box or at the Fixed size font selection.
4. In the **API Settings** panel, select **1256** as the DDE/EHLLAPI PC code page.
5. Choose **Typing Arabic** as the font in the **Page Setup** panel.

To set up for Numeric Swapping or Symmetric Swapping:

1. Select **Display Setup** from the **Edit → Preferences → Appearance** pull-down list.
2. Select **Swapping** from the list box at the left, where the settings for numerics and symmetric characters is displayed. Changes are immediately reflected on the active session.

Note: Numeric Swapping is a 3270-only feature. This function will not be selectable if the session is an iSeries session.

The supported Arabic fonts are:

- ARB3270, which is found in the PCSANSIA.FON, or MFIANSIA.FON. To use the MFIANSIA.FON:
 1. Rename the file PCSANSIA.FON to PCSANSIA.ORG.
 2. Copy MFIANSIA.FON to PCSANSIA.FON.
- Typing Arabic, which is found in the file TYPEARB.TTF.

The Arabic font files are located on the installation image in the FONT subdirectory.

Bidirectional Keyboard Functions for 3270

The keys unique to Bidirectional 3270 are:

- **Language selection:** This function is activated by the key combination Alt+Shift and allows you to change the language layer. If the language layer is Latin, pressing the Alt+RightShift key combination changes the language layer to Arabic. If the language layer is Arabic, pressing the Alt+LeftShift key combination changes the language layer to Latin.
- **Screen Reverse:** This function is activated by the key combination Alt+NewLine and reverses the screen image. If the screen orientation is left-to-right, pressing this key combination reverses the screen image right-to-left. If the screen orientation is right-to-left, pressing this key combination reverses the screen image to left-to-right.

Note that the operator information area is not reversed by this operation.

When the screen orientation is changed, the language layer is changed to the default language of the new screen orientation. If the screen is reversed to

right-to-left, then the language is changed to Arabic. If the screen is reversed to left-to-right, then the language is changed to one using Latin characters.

If the swapping of symmetric characters is enabled, the inversion of the screen causes directional characters to be replaced by their counterparts.

If the swapping of numeric characters is enabled, the inversion of the screen causes Hindi numerals to be replaced by their Arabic counterparts and the Arabic numerals to be replaced by their Hindi counterparts.

- **Field Reverse:** This function is activated by the key combination Alt+NumLock and toggles the field orientation to either opposite to or the same as the screen orientation. The text in the field is not inverted. The cursor orientation is set equal to the new field orientation and the language layer is selected accordingly.

If the cursor is in the first logical position of a field or line, when you select the field reverse function, the cursor skips to the other side of that field or line, which becomes the first logical position. If the cursor was not in the first position of the field or line, when selecting the field reverse function, the cursor remains in its position and allows natural and correct editing of existing text.

- **Auto Field Reverse:** This function is activated by the key combination Alt+NumPad5, which toggles the auto field reverse mode for the current screen orientation.

Auto field reverse affects the automatic selection of the field orientation of unprotected fields:

- When auto field reverse is disabled, upon initial entry to a field (whether numeric or alphanumeric), the field orientation is always set equal to the screen orientation.
- When auto field reverse is enabled, upon initial entry to an alphanumeric field, the field orientation will be set to right-to-left (for both left-to-right and right-to-left screen orientations).
- When auto field reverse is enabled, upon initial entry to a numeric field, the field orientation will be set to left-to-right (for both left-to-right and right-to-left screen orientations).

- **Push/End Push:** This function is activated by the key combination Shift+NumLock and allows the entering and editing of text whose direction is opposite from the field direction. When this function is activated, the cursor orientation is reversed, the language layer is changed accordingly, and a push segment is created.

The PUSH function has two secondary modes:

- **Boundary mode:** This mode is activated upon entering push mode. In this mode, the cursor remains in its position, and the typing of additional characters pushes the text in the direction opposite from the field direction. To indicate this boundary mode, the cursor has a block shape.
- **Edit mode:** This mode is activated when the cursor is moved from its boundary position into the PUSH SEGMENT area. In this mode, you can edit the text within the PUSH segment, while typing in the field's natural direction.

END PUSH, activated by the Shift+NumLock key sequence, terminates the push mode.

Note: In Windows mode, END PUSH is activated by the Shift+Numpad/ key sequence.

The cursor jumps to the end of the PUSH segment, and its direction changes to the original direction. You can also perform END PUSH by pressing any field exit keys (for example, Cursor Up or Cursor Down) or an AID key (for example, Enter)

- **AutoPush:** This function is activated by the key combination Alt+NumPad/ and assists the terminal operator in typing mixed left-to-right and right-to-left text. When enabled, reversed segments are automatically initiated and terminated, according to the entered character or the selected language layer. This mode relieves the operator from manually pressing Push, as it is automatically invoked.
 - In right-to-left fields, typing a digit or a Latin letter causes the automatic initiation of Push, without language change. Further Latin letters or digits will continue the push mode; any other character automatically terminates push mode. This feature allows you to type Arabic text with imbedded numbers or Latin words without using Push/End Push.
 - In left-to-right fields, typing an Arabic character or special character causes the automatic initiation of Push, without language change. Typing any digit or Latin character causes the automatic termination of the mode. This allows the user to type Latin text with imbedded Arabic words using language layer selection rather than Push/End Push.

Arabic Character Shape Selection Functions

There are five shape selection keys: one for Contextual Shape Determination (CSD), and 4 for Specific Shaping modes (Base/Isolated, Initial, Middle, Final). The default Shaping Mode is CSD.

The keys unique to Bidirectional 3270 are:

- **Contextual Shape Determination (CSD) key:** Pressing this key sets the shaping mode to Contextual Shape Determination (CSD), which is the default. Note that contextual shape determination is performed only for right-to-left text entered or modified by the operator. This key toggles between CSD and Base mode.

Pressing any of the Specific shape selection keys disables CSD.

The character Alef-Madda

ā

in the operator information area indicates that CSD is selected.

This function is initiated by the key combination Alt+NumPad4.

- **Specific Shape Selection keys:**
 - Base/Isolated: initiated by the key combination Alt+NumPad2
 - Initial: initiated by the key combination Alt+NumPad1
 - Final: initiated by the key combination Alt+NumPad7
 - Middle: initiated by the key combination Alt+NumPad8

Pressing one of the above keys disables CSD, and sets shaping mode to the selected value. Arabic letters typed from then on will have the selected shape.

Note: Some Arabic characters do not have middle, initial, or final shapes. In this case, if the user enters one of those characters where the requested shape does not exist, then the closest shape is selected according to the following rules:

- Instead of initial, isolated is selected.
- Instead of final, isolated is selected.

- Instead of middle, final (if it exists) or isolated is selected.

The selected Shaping Mode is shown in the operator information area:

- Isolated GHEIN

ع

indicates Base/Isolated Shaping Mode

- Initial GHEIN

ع

indicates Initial Shaping Mode

- Middle GHEIN

ع

indicates Middle Shaping Mode

- Final GHEIN

ع

indicates Final Shaping Mode

- **Field Shape key:** Pressing the key combination Alt+NumPad+ causes the shaping of the Arabic data present in the current field or line. The cursor position remains unchanged.
- **Field De-Shape key:** The key combination Alt+NumPad Enter de-shapes the Arabic data present in the current field or line. All Arabic letters are converted to their Base/Isolated shapes.

Personal Communications iSeries

The keys unique to Bidirectional PC400 are:

- **Language selection:** This function is activated by the key combination Alt+Shift and allows the changing of the language layer. If the language layer is Latin, by pressing the Alt+RightShift key combination, the language layer will change to Arabic. If the language layer is Arabic, by pressing the Alt+LeftShift key combination, the language layer will change to Latin.
- **Screen Reverse:** This function is activated by the key combination Alt+NewLine and reverses the screen image. If the screen orientation is left-to-right, by pressing this key combination the screen image will be reversed to right-to-left. If the screen orientation is right-to-left, pressing this key combination reverses the screen image to left-to-right.

Note that the operator information area is not reversed by this operation.

When the screen orientation is changed, the language layer is changed to the default language of the new screen orientation. If the screen is reversed to right-to-left, the language is changed to Arabic. If the screen is reversed to left-to-right, the language is changed to one using Latin characters.

The inversion of the screen causes directional characters to be replaced by their counterparts.

- **Field Reverse:** This function is activated by the key NumLock and toggles the field orientation to either left-to-right or right-to-left. The text in the field is not inverted. The cursor orientation is set equal to the new field orientation and the language layer is selected accordingly.

If the cursor is in the first logical position of a field or line, when selecting field reverse function, the cursor skips to the other side of that field or line, which now becomes the first logical position. If the cursor was not in the first position of the field or line, when selecting field reverse function, the cursor remains in its position and allows natural and correct editing of existing text.

- **Close:** This function is activated by the key combination NumPad/ and is provided so that the data entered in one keying direction can be concatenated with the data that was previously entered in the opposite direction. It operates as follows:
 - All embedded nulls are removed from the current line.
 - Concatenated text is moved to the right boundary of the field (if the field direction is right-to-left) or to the left boundary (if the field direction is left-to-right).
 - The cursor direction is set to the field direction.
 - The language layer is set to the default for the field direction.
 - If the screen orientation is now left-to-right, the cursor is positioned at the first null to the right of the concatenated text.
 - If the screen orientation is now right-to-left, the cursor is positioned at the first null to the left of the concatenated text.
- **Base:** This function is activated by the key combination Ctrl+Home; it is a toggle key that activates or deactivates the Automatic Shape determination function for Arabic RTL text. It is valid only when processing RTL Arabic text. If it is pressed in an LTR field, an operator error 0027 results.

Bidirectional Hebrew Support

The Bidirectional Hebrew support in 3270 enables the program to emulate an English/Hebrew 3270 display terminal. Special Language and Bidirectional functions are added to the list of standard functions supported by the emulation program.

Bidirectional Functions for 3270

Table 12. Bidirectional Key-Combinations for 3270

Function	Combination
Hebrew Language	Alt+RightShift
English Language	Alt+LeftShift
Screen Reverse	Alt+Enter
Field Reverse	Alt+NumLock
Auto Field Reverse	Alt+NumPad5
Push	Shift+NumLock
End Push	Shift+NumPad/
Autopush	Alt+NumPad/

The 3270 host system can run as a native Windows application. The layout and user interface functions in the Windows-based product conform to the IBM user interface standard (SAA/CUA[®]); they are similar to the layout and functions implemented in other IBM products (for example, OS/2).

- **Language Selection:** The key combination Alt+Shift allows you to change the language layer. If the language layer is Latin, pressing Alt+RightShift changes

the language layer to Hebrew. If the language layer is Hebrew, pressing Alt+LeftShift changes the language layer to Latin.

- **Screen Reverse:** This function, activated by the Alt+Enter key sequence, reverses the screen image. If the screen direction is left-to-right, the screen image is inverted and displayed from right-to-left. Pressing this hotkey again returns the screen to its original direction, left-to-right. When the screen orientation is changed, the language layer is changed to the default language of the new screen orientation. If the screen is changed to right-to-left, the language changes to Hebrew. If the screen is changed to left-to-right, the language changes to Latin.

Note that the status line (OIA) never reverses. It always displays from left to right.

- **Field Reverse:** In most cases, the field direction is the same as the general screen direction. However, sometimes it is necessary to have a field whose direction is the opposite of the screen direction. The Field Reverse function, activated by the Alt+NumLock key sequence, allows such transitions. When this function is activated, the typing direction is reversed, but the existing text in the field and the screen image does not change. This function creates a temporary change which stays in effect as long as the cursor remains within the field, or until Field Reverse is activated again.

If the function is activated while the cursor is at the beginning of a line or field, the cursor jumps to the end of the line or field, so that the reversed field begins logically from that position. Otherwise, the cursor remains in its position and allows natural and correct editing of existing texts whose direction is the opposite of the screen direction.

- **Auto Field Reverse:** This function sets the field orientation for you, when you are entering data for mixed applications (Hebrew and English). This is done by automatically activating the Field Reverse function. The Auto Field Reverse mode is activated by the Alt+NumPad5 key sequence, and can be applied independently for each screen orientation, left-to-right or right-to-left.
 - If the Auto Field Reverse option is activated on a right-to-left screen, the Field Reverse function is automatically activated every time the cursor moves to a numeric field. The cursor then jumps to the leftmost position of the numeric field, to allow left-to-right typing of numbers.
 - If the Auto Field Reverse option is activated on a left-to-right screen, the Field Reverse function is automatically activated only when the cursor moves to an alphanumeric field. The cursor then jumps to the rightmost position of the field, to allow right-to-left typing of Hebrew.

Initially, the Auto Field Reverse option is enabled when the screen direction is right-to-left, and is not enabled when the screen direction is left-to-right. To terminate the Auto Field Reverse mode, press Alt+NumPad5 again.

- **Push and End Push:** These functions allow you to type or edit text whose direction is the opposite of the field direction. When this function is activated the cursor orientation is reversed, the language layer is changed accordingly, and a push segment is created.

The Push function is activated by the Shift+NumLock key sequence. The Push function has two secondary modes:

- **Boundary Mode:** This mode is activated upon entering the Push mode. In this mode, the cursor remains in its position, and the typing of additional characters pushes the text in the direction opposite to the field direction. To indicate this boundary mode, the cursor shape is changed.

- Edit Mode: This mode is activated when the cursor is moved from its boundary position into the Push Segment area. In this mode, you can change the text within the Push segment, while typing in the text's natural direction.

End Push, activated by the Shift+NumPad/ key sequence, terminates the temporary mode. The cursor jumps to the end of the Push segment, and its direction reverts to that of the field.

- **Autopush:** The Autopush mode makes work easier and more efficient when typing Hebrew and English mixed text. When this mode is enabled, reverse segments initiate and terminate automatically, according to the entered character or the selected language layer. It relieves the operator from manually selecting Push and End Push. Autopush is especially useful for typing digits in Hebrew fields (right-to-left fields). The Autopush mode is activated by the Alt+NumPad/ key sequence; it can be applied independently to fields whose direction is left-to-right or right-to-left. In this mode, the Push and End Push functions are automatically activated according to the language of the text being typed. There is no need to worry about activating and terminating the Push mode manually.
 - In right-to-left fields, typing a digit or a Latin letter causes the automatic initiation of Push, without language change. Additional Latin letters or digits will continue the push mode; any other character automatically terminates push mode. This feature allows you to type Hebrew text with imbedded numbers or Latin words without using Push/End Push.
 - In left-to-right fields, typing a Hebrew character causes the automatic initiation of Push. Typing any digit or Latin character causes the automatic termination of the mode. This allows the user to type Latin text with imbedded Hebrew words by using language layer selection rather than Push/End Push.

Keyboard Layout

Two Hebrew keyboard templates (Bulletin and Old Code) are supplied with the product. The Old-Code template is similar to the Bulletin template, with the following exceptions:

- Shift of "6" (s-6) produces the Greek Delta symbol (ASCII 235, hex EB), representing the old Israeli Lira, instead of the regular Cent symbol.
- Shift of "7" (s-7) does not produce anything (the Ampersand symbol is not available in Old Code).
- In English language mode, unshifted English letters produce uppercase letters (A-Z or a-z), rather than lower case letters (A-Z or a-z), whether Caps Lock is ON or OFF.

Configuration

To set up a Hebrew workstation, do the following:

1. Select **424 Hebrew (Bulletin Code)** or **803 Hebrew (Old Code)** as the host code page in the **Customize Communication** panel.
2. Select **Hebrew (Bulletin Code)** or **Hebrew (Old Code)** as the keyboard layout.
3. Select **Transfer** from the **Edit → Preferences** pull-down menu.
4. From the General tab, select **862**, **916**, or **1255** from the **PC Code-Page** list.
5. In the **API Settings** panel, select **862**, **916**, or **1255** as the DDE/EHLLAPI PC code page.
6. In the **Select Display Font** panel, choose **HEB3270** at the Automatic Sizing list box or at the Fixed size font selection.
7. Select **Page Setup** from the **File** pull-down menu.

8. In the **Text** tab, choose (**Courier Heb**) printer font.

Font

If you are accustomed to a traditional Display Station such as IBM InfoWindow[®] 3472, you may not prefer the Personal Communications font. You can try an alternative font by changing the font files as follows:

1. Rename PCSANSIH.FON file to BASANSIH.FON
2. Copy ALTANSIH.FON to PCSANSIH.FON

In order to use the ALTANSIH.FON file, you must order the needed diskette separately.

File Transfer with 862 Code Page

PC code page 862 is the IBM number for the Hebrew code page. Microsoft Windows (Hebrew) uses a code page based on (but not identical to) the ISO code page, and quite different from code page 862.

Apart from the differences in code points, Microsoft Windows for Hebrew works with logical text. This means that Windows applications are expected to store text in logical order (that is, the same order as typed but not as displayed).

Accordingly, the text that is displayed on the screen is different from the text that is processed by the application.

Therefore, when transferring files with translation to and from code page 862, there may be unexpected results (such as a different order of Hebrew text), in some cases. To overcome such problems, it is recommended after conversion of EBCDIC text to code page 862 to consider using the CONVERT program, provided as part of Microsoft Windows, which is capable of converting between logical text and visual text.

Bidirectional Functions for 5250

Table 13. Bidirectional Key-Combinations for 5250

Function	Combination
Hebrew Language	Alt+RightShift
English Language	Alt+LeftShift
Reverse	NumLock
Close	NumPad/
Screen Reverse	Alt+Enter

- **Hebrew Language:** same meaning as in “Bidirectional Functions for 3270” on page 151
- **English Language:** same meaning as in “Bidirectional Functions for 3270” on page 151
- **Reverse:** Pressing this key allows the operator to reverse the current cursor direction. It functions as follows:
 - The cursor is repositioned according to the current cursor direction. When right-to-left, the cursor is placed at the current left boundary location. When left-to-right, the cursor is placed at the current right boundary location.
 - The cursor direction is then reversed; the Keyboard Layer you get depends on the new cursor direction.
 - Insert mode is reset.

- **Close:** By pressing this key, data entered in one key direction is joined with data that was previously entered in the opposite direction:
 - All embedded null characters are removed from the current line (or field, if the field is contained on one line).
 - Joined text is moved to the right boundary of the field if the field direction is right-to-left, or to the left boundary if the field direction is left-to-right.
 - The remainder of the line (or the field, if contained on one line) is padded with null characters.
 - The cursor direction is set to the field direction.
 - If the cursor direction is now left-to-right, the cursor is positioned at the first null character to the right of the joined text. If the cursor direction is now right-to-left, the cursor is positioned at the first null character to the left of the joined text.
 - Insert mode is reset.
- **Screen Reverse:** same meaning as in “Bidirectional Functions for 3270” on page 151

Bidirectional Support for VT

The bidirectional support in VT enables the program to emulate English/Arabic or English/Hebrew VT 340 7-bit, VT 340 8-bit, VT 100, VT 52, and VT ANSI display terminals. Special language and bidirectional functions are added to the list of standard functions supported by the emulation program.

Configuring VT Emulation for Arabic or Hebrew

To set up an Arabic or Hebrew workstation for VT emulation, do the following:

1. Click **Configure** from the **Communication** pull-down menu.
2. Select **ASCII** for the host type.
3. Click the **Session Parameters** button.
4. Select the **National** host code page type.
5. Select the host code page
 - If configuring for Arabic, choose Arabic ASMO 708 for 8-bit code page or Arabic ASMO 449 for 7-bit code page.
 - If configuring for Hebrew, choose Hebrew ISO or Hebrew NRCS.
6. Select the font by going to the **Edit** pull-down menu and selecting **Preferences** → **Appearance** → **Font**.
7. Select **Face Name**.
 - If configuring for Hebrew, select **HEB3270**.
 - If configuring for Arabic, select **AVT3270**.

File Transfer

Automatic code page conversion occurs during file transfer. However, this is only valid for 8-bit code pages.

For Arabic workstations, the conversion is from Arabic ASMO 708 to 1256 when sending. The code page conversion is reversed when receiving.

For Hebrew workstations, the conversion is from Hebrew ISO to 1255 when sending. The code page conversion is reversed when receiving.

Copy and Paste

Automatic code page conversion occurs during copy and paste operations. For Arabic, the conversion is from the current host code page to 1256, and vice versa. For Hebrew, the conversion is from the current host code page to 1255, and vice versa.

Print Screen

To print a screen in an Arabic or Hebrew session, do the following:

1. Click **Page Setup** from the **File** menu.
2. For an Arabic session, select the **Typing Arabic VT** font. For a Hebrew session, select the **Courier Heb** font.

Remapping BiDi Keys

You can customize the keyboard to map BiDi functions. The following functions are available for a VT BiDi session:

- Screen Reverse (for Logical sessions only)
- National Keyboard Layer
- Latin Keyboard Layer
- Set/reset right-to-left cursor direction (for Hebrew session and visual text type only)
- Toggle between 7-bit and 8-bit character set modes (for Hebrew session only)
- Adjust the column heading (for Arabic session only)

Bidirectional Functions for VT

Table 14. Bidirectional Key-Combinations for VT

Function	Combination
Language Selection (Hebrew or Arabic)	Alt+RightShift
English Language	Alt+LeftShift
Screen Reverse (Hebrew Logical Text Mode and Arabic only)	Alt+NewLine
Adjust Column Heading (Arabic only)	Alt+K
Toggle Cursor Direction (Visual Hebrew only)	Alt+D
Toggle 7-bit and 8-bit Character Set Modes (Hebrew only)	Alt+B

- **Language Selection:** Same meaning as in “Bidirectional Functions for 3270” on page 151
- **English Language:** Same meaning as in “Bidirectional Functions for 3270” on page 151
- **Screen Reverse:** Same meaning as in “Bidirectional Functions for 3270” on page 151
- **Adjust Column Heading:** Column Heading mode causes blanks between columns of text to break insertions. Thus, the English titles for columns of data maintain their correct position.
- **Toggle Cursor Direction:** If current cursor direction is left-to-right, pressing Alt+D changes it to right-to-left, and back again. When the cursor direction is set

to right-to-left, this does not affect cursor addressing , moving, inserting, and deleting characters, erasing in line or erasing in display.

The following functions are affected by the right-to-left cursor direction setting:

- Backspace (the cursor moves one position to the right)
- Carriage return (the cursor moves to the rightmost position on the current line)
- Line feed (the cursor moves to the rightmost position of the next line)
- Typing in the auto wrap mode (current line is continued from rightmost position of the next line)
- **Toggle 7-bit and 8-bit Character Set Modes:** This function allows switching between 7-bit and 8-bit character sets. If the current character set is ISO Hebrew (8-bit), pressing Alt+B changes the character set to Hebrew NRCS (7-bit).

Arabic Support for ASMO 449 7-bit Code Page

The following Control Sequences are supported for ASMO 449 7-bit code page.

Table 15. Control Sequences for Arabic VT Support

Control Sequence	Description
Arabic Mode and State Controls	
DECSABM	<ul style="list-style-type: none"> • Arabization disabled • BiDi with Text Controls • BiDi without Text Controls
DDECSNL	Start new Arabic/Latin language
DECVTM	<ul style="list-style-type: none"> • Invisible Text Controls • Visible Text Controls
DECSAPV	Numerals displayed in Arabic/Hindi, according to context
Arabic Imaging Controls	
DECBDOPD	Set the direction of the screen (Document Presentation Direction)
Arabic Text Controls	
SLR	Start LTR direction
SRL	Start RTL direction
SDD	SDD start default direction

Chapter 18. Unicode Support

Personal Communications supports Unicode for Hindi and 1390/1399 Japanese code pages.

For a description of the procedure for configuring Personal Communications Hindi support, refer to *Quick Beginnings*. Installation information is described in *Installation Guide*.

1390/1399 Code Pages

The following features are supported in Unicode for 1390/1399 Japanese character processing.

- Print Screen
- Record and play macros
- Data and file transfer
- Copy, Cut, and Paste
- EHLLAPI. Refer to *Emulator Programming* for information about 1390/1399 transfer APIs.
- Keyboard Customization

See the following list for more information about specific 1390/1399 support issues.

DBCS Translation Table

Personal Communications maps 1390/1399 code pages as follows:

- 1390-->UCS2
- UCS2-->1390
- 1399-->UCS2
- UCS2-->1399
- 1399-->943
- 943-->1390

Personal Communications loads a different translation table for display.

Personal Communications handles the Unicode printing both for GDI mode and PDT mode.

Data and File Transfer

File transfer uses the EBCDIC<-->UNICODE (or EBCDIC<-->ASCII) translation for Host to PC. The user can save as an ASCII file or as a Unicode file.

User Defined Area (UDA) Support

Personal Communications handles EBCDIC<-->UNICODE (UDC), which is different from EBCDIC <--> ASCII. The DBCS UDA mapping table editor handles UNICODE<--> EBCDIC UDA.

JIS2004 Support

JIS2004 support can be enabled by selecting host code page "1390 Japan Katakana Extended(JIS2004)" and "1399 Japan Latin Extended(JIS2004)". The 1390/1399 JIS2004 code pages support all features as described above except for the following two features, that will not support surrogate characters:

- PDT mode printing
- Record and play macros

Hindi Support

The following features are supported in Unicode for Hindi.

- Print Screen
- Data transfer. File transfer is not supported.
- Copy, Copy Append, Cut, and Paste. Copy Link is not supported.
- EHLLAPI. Refer to *Emulator Programming* for information about Hindi data transfer APIs.
- Trace

See the following list for more information about specific Hindi support issues.

Code Page

The host code page for Hindi is 1137. The Unicode PC code page is 1200. Personal Communications uses a predefined translation table to map these code pages.

Record and Play Macros

Hindi enablement is limited to macro scripts only. Customization of the macro file is disabled in Hindi sessions. VB scripts are not supported.

Fonts Only True Type Fonts are used for Hindi for display and printing. The TTF file is enumerated by Personal Communications and is displayed in the **Page Setup** pull-down menu. This font file has to be selected for printing the characters in Hindi. The Hindi font file is installed along with other font files.

Keyboard

The English keyboard layout is mapped to the Hindi layout. This is accomplished by loading the two key mapping tables corresponding to Hindi from the PCSKBD.DLL file. The first table maps the Windows virtual key number to the IBM key number. The second key mapping table maps the IBM key number to the Unicode value of the corresponding character.

Keyboard Customization

When a key is selected in the **Keyboard Customization** dialog, the edit control window displays the corresponding Hindi character. The user can change the mapping by selecting a new character from the list box. If the user attempts to directly edit the edit control window, the characters from the current input character set appear.

Copy/Move/Swap and Find keys

The function of these keys is similar to that of the existing SBCS languages. The only difference is that the Hindi characters are stored as Unicode characters instead of single-byte characters.

Switching from Hindi to English

Hindi language support also includes toggling between Hindi and English using the ALT+left Shift key.

OIA Display

HI is displayed in the OIA when working in Hindi mode. There is no display when the user shifts from Hindi mode.

Part 5. Building a Printer Definition Table (PDT)

Chapter 19. Building a Printer Definition Table (PDT) for PC/3270

This chapter, in combination with Chapter 20, "Building a Printer Definition Table (PDT) for PC400," on page 173, explains how to customize a printer definition table (PDT file) for PC/3270. Chapter 20, "Building a Printer Definition Table (PDT) for PC400," on page 173 contains basic information about creating and changing PDTs; this chapter contains specific information about creating PC/3270 PDTs. PDTs for PC/3270 and PC400 differ only slightly; if you use a common PDT (used for both PC/3270 and PC400), the additional statements for PC400 are ignored for PC/3270 processing. Similarly, statements unique to PC/3270 are ignored for PC400 processing.

ASCII_PASSTHRU? and EBCDIC_PASSTHRU?

The ASCII_PASSTHRU? and EBCDIC_PASSTHRU? PDF statements are new options available for PC/3270. See "Transparent Print Capability" on page 178 for details.

Supplemental Explanation of PDF Statements for PC/3270

The following PDF statements have functions that differ from those for PC400. All statements are listed in "Field Names of Printer Definition Files" on page 190.

MAXIMUM_PAGE_LENGTH

Printed lines per page. If you change this value, you must change the value in the SET_PAGE_LENGTH=SFL value statement (see "Session parameters" on page 175) to be the same.

MAXIMUM_PRINT_POSITION

Printed characters per line.

COMPRESS_LINE_SPACING?

Whether blank or null lines are to be printed if all characters on that line are nulls (for LU 3 only).

FORM_FEED_ANY_POSITION?

Whether a form feed is to be valid in any position. If NO, a form feed will be valid only in the following positions:

- First print-position of the buffer
- After a valid new line operation
- First print-position of a line

OVERRIDE_FORMATTED_PRINT?

Whether nulls are to be printed as blanks.

INTERV_REQ_TIMER

This statement is ignored.

INTERV_TIMER_ON_PE_ONLY?

This statement is ignored.

RESELECT_TIME_EXCPT_5204

This statement is ignored.

ESC/P_LINE_FEED?

If YES, the line feed (LF) function is emulated when the line feed

command is received. This is useful when you do not want a line feed accompanied by a carriage return (CR) on a printer using the ESC/P printer language. If NO, the value defined in the LINE_FEED statement is sent to the printer.

IGNORE_FORM_FEED_AT_FIRST_POS?

If YES, the form feed (FF) function is ignored at the first position (for LU 2, LU 3, and non-SNA sessions) or at the beginning of the print job (for LU 1 sessions). Using this option eliminates extra blank pages at the beginning of each print job.

FORM_FEED_TAKES_POSITION?

If YES, the form feed (FF) function is effective if followed by data (LU 2, LU 3, and non-SNA sessions only).

KANJI_CODE?

If YES, kanji codes (JIS or SHIFT_JIS) have been used. This value cannot be changed.

ZENKAKU_SPACE

The size (adjustment unit) of a user-defined character and a HANKAKU character. This value cannot be changed.

SBCS_FONT_LOAD

Registration of a HANKAKU GAIJI. This value cannot be changed.

DBCS_FONT_LOAD

Registration of a ZENKAKU GAIJI. This value cannot be changed.

SET_LOCAL_FONT

Set a font set of user-defined characters. Remove it when user-defined characters are not loaded to a printer.

RESET_LOCAL_FONT

Reset a font set of user-defined characters. Remove it when user-defined characters are not loaded to a printer.

KANJI_ON

Set kanji mode.

KANJI_OFF

Reset kanji mode.

ATTRIBUTE_GRID_LINE

Set to grid-line print. This value cannot be changed.

START_DOUBLE_WIDTH_CHARACTER

Set a double-width character.

END_DOUBLE_WIDTH_CHARACTER

Reset a double-width character.

Notes:

1. When using IBM5577.PDF, change FORM_FEED=EJC to FORM_FEED in the file when a continuous form job does not feed correctly.
2. When using ESC_P.PDF, DBCS (2-byte) characters are placed to the left of the character box, not in the center. To place DBCS characters in the center of the character box, change the IBM-supplied values in ESC_P.PDF:

```
P10 EQU 1B 50 1B 20 00 1C 53 00 0C 1C 54 00 00
P12 EQU 1B 4D 1B 20 00 1C 53 00 06 1C 54 00 00
P13 EQU 1B 67 1B 20 01 1C 53 00 03 1C 54 00 01
P15 EQU 1B 67 1B 20 00 1C 53 00 00 1C 54 00 00
```

to the following:

```

P10 EQU 1B 50 1B 20 00 1C 53 06 06 1C 54 00 00
P12 EQU 1B 4D 1B 20 00 1C 53 03 03 1C 54 00 00
P13 EQU 1B 67 1B 20 01 1C 53 02 01 1C 54 00 01
P15 EQU 1B 67 1B 20 00 1C 53 00 00 1C 54 00 00

```

SCS TAB Setting

A PC/3270 printer session LU type 1 can accept any number of tab positions, and the host printer session can send any number of tabs to the printer session. However, the workstation printer you are using might support fewer tab positions than the host application sets; for example, the IBM Proprinter supports 27 tab positions.

If the number of tab positions that the host application sets exceeds the maximum number of positions that the printer supports, your printed output will not look as you expect it to. You can avoid this situation by modifying the PDF file and reconfiguring PC/3270 as follows:

1. Modify the SET_HORIZONTAL_TABS statement as follows:
SET_HORIZONTAL_TABS=number
2. Save the file under a new name.
3. Convert the PDF file (with the procedure described in Chapter 20, "Building a Printer Definition Table (PDT) for PC400," on page 173).
4. Select the new PDT file created in Step 2.

Printer Color Mixing

Some printers, such as the IBM 5182, compose certain colors by mixing colors. Colors are mixed by printing the text in one color and then printing over the same text in another color on a second pass.

PC/3270 will compose a color if the color is not defined in the printer definition table of a color printer that is capable of mixing colors. Therefore, if you are using a printer that composes some colors by mixing two colors, leave the definition of the composed colors blank in the printer definition file. Only the composite colors defined in Table 16 are created by double-printing the primary colors.

Table 16. Color Mixes

Composite Color	Primary Colors
Red	yellow, magenta
Green	yellow, cyan
Blue	magenta, cyan

For example, to create red, you must define yellow and magenta. The primary colors must be defined in the printer definition table.

Printer Session Data Stream Support

There are two types of host-directed print data streams supported by PC/3270: the 3270 data stream and the SNA character string (SCS) data stream.

3270 Data Stream

The 3270 data stream is a buffer-oriented data stream. The print data is formatted as if it were going to be displayed on a screen. The host system sends commands

to format the presentation space. These commands can change the presentation space in any location at any time. Once the host system completes formatting the presentation space, it issues a START PRINT command and the presentation space is printed as accurately as the printer hardware allows. The 3270 data stream can be sent to PC/3270 workstations over an SNA LU 3 session or a non-SNA DFT printer session.

Table 17 lists the commands that can be sent in the 3270 data stream.

Table 17. 3270 Data Stream Commands

Command	Meaning
W	Write
EW	Erase/Write
EWA	Erase/Write Alternate
RB	Read Buffer
RM	Read Modified
RMA	Read Modified All
EAU	Erase All Unprotected
WSF	Write Structured Field

The RB, RM, and RMA commands cannot be used with an SNA attachment.

Table 18 lists the orders that can be sent in the 3270 data stream.

Table 18. 3270 Data Stream Orders

Order	Meaning
SBA	Start Buffer Address
SF	Start Field
IC	Insert Cursor
PT	Program Tab
RA	Repeat to Address
EUA	Erase Unprotected to Address
SFE	Start Field Extended
SA	Set Attribute
MF	Modify Field

The last three orders in the preceding table manage the color, extended highlighting, and programmed symbols attributes for fields and individual characters. The programmed symbols attribute is not supported by PC/3270.

In addition to the commands and orders in the two preceding tables, there are special printer formatting control codes that can be included in the 3270 data stream.

The following table lists the control codes that can be sent in the 3270 data stream.

Table 19. 3270 Data Stream Format Control Codes

Code	Description
NL	New Line control code moves the print position to the left margin and down one line.
CR	Carriage Return control code moves the print position to the left margin.
EM	End of Message control code ends the print operation.
FF	Form Feed control code moves the print position to the left margin at the top of the next page.

Note: NL, CR, and EM are valid only if a line-length format specified by the WCC is not used. The FF code is valid in any buffer position.

PC/3270 printer support interprets each 3270 attribute and printer control code and translates them into a sequence of one or more workstation printer control codes. For more information about the 3270 data stream, refer to *IBM 3270 Information Display Data Stream Programmer's Reference*.

SCS Data Stream

The SCS data stream is a sequential data stream that is oriented toward line printers. The characters are translated according to the host system code page and printed according to the attributes and formatting specified by the control commands. The way in which SCS characters are printed depends only on the control codes that precede them. Therefore, it is not necessary to buffer the characters before they are printed. The SCS data stream flows across the SNA LU 1 session only.

The valid SCS control codes supported by PC/3270 are listed in Table 20.

Table 20. Supported SCS Control Codes

Code	Value	Command
NL	X'15'	New Line
LF	X'25'	Linefeed (Index)
CR	X'0D'	Carriage Return
FF	X'0C'	Form Feed
BS	X'16'	Backspace
BEL	X'2F'	Bell Function
IRS	X'1E'	Interchange-Record Separator
SA	X'28'	Set Attribute
TRN	X'35'	Transparent
NUL	X'00'	Null
HT	X'05'	Horizontal Tab
VT	X'0B'	Vertical Tab
SHF	X'2B C1'	Set Horizontal Format
SVF	X'2B C2'	Set Vertical Format

Table 20. Supported SCS Control Codes (continued)

Code	Value	Command
SLD	X'2BC 6'	Set Line Density
SPD	X'2BD2 xx29'	Set Print Density
VCS	X'04 xx'	Vertical Channel Select
ENP	X'14'	Enable Presentation
INP	X'24'	Inhibit Presentation
GE	X'08'	Graphic Escape
PPM	X'2BD2 xx48'	Page Presentation Media
SO	X'0E'	Shift Out
SI	X'0F'	Shift In
RNL	X'06'	Required New Line
RCR	X'06'	Required Carriage Return
SPS	X'09'	Superscript
WUS	X'23'	Word Underscore
IR	X'33'	Index Return
PP	X'34'	Presentation Position
EBS	X'36'	Expanded Backspace
NBS	X'36'	Numeric Backspace
SBS	X'38'	Subscript
IT	X'39'	Indent Tab
RFF	X'3A'	Required Form Feed
RPE	X'3A'	Required Page End
RSP	X'41'	Required Space
NSP	X'E1'	Numeric Space
ESP	X'E1'	Expandable Space
SH	X'CA'	Syllable Hyphen

Note: The ENP and INP commands are accepted, but are ignored, in an LU 1 session.

For more information about the SCS printer data stream, refer to *IBM Systems Network Architecture - Sessions Between Logical Units*.

Delimiting Print Jobs

Many print jobs can be sent over a single PC/3270 printer session. PC/3270 allows multiple sessions and applications to share a single workstation printer on a between-jobs basis. PC/3270 needs to know when each print job starts and ends so that printers can be shared properly and begin and end job strings can be sent at the appropriate times. The emulator recognizes a number of different methods of delimiting print jobs:

By Session

PC/3270 printer support assumes, by default, that all print jobs are

delimited by sessions. That is, in the absence of all other indicators, PC/3270 assumes that a print job begins when a printer session is started and ends when it is reset.

Time-Out Interval

On non-SNA DFT sessions, print jobs can be delimited by a user-specified timeout interval. A print job on a non-SNA DFT printer session begins when the first host-outbound data for that job is received, and ends when no host-outbound data is received for a period of time exceeding the user-specified non-SNA DFT timeout interval. For PC/3270, this interval is specified during configuration.

By Brackets

On an SNA session with an LU 1 or LU 3 host application, PC/3270 can use bracket indicators to delimit print jobs. The emulator opens the printer when it receives the begin bracket, then it processes and prints data. The emulator closes the printer after it receives an end bracket.

When the emulator receives another begin bracket, it again opens a printer and begins processing a print job.

Structured Fields

The host can use structured fields to indicate to the device that a new file is beginning or that the current file is completed. PC/3270 delimits print jobs with Begin of File and End of File structured fields (SF) to perform host-directed printing. Structured fields are described in "Structured Fields."

Structured Fields

The host uses Begin of File and End of File structured fields to indicate to a device that a file is beginning or ending.

Begin/End of File Query Reply

The Begin/End of File query reply indicates that a device supports Begin of File and End of File to delineate print jobs. The PC/3270 sends a query reply, as shown in Table 21, to the host in response to a Read Partition General query.

Table 21. Begin/End of File Query Reply Format

Byte	Contents	Description
0-1	X'0005'	The length of this structure
2	X'81'	Query reply
3	QCODE X'9F'	Begin/End of File
4	FLAGS	Reserved; must be set to 0's

Begin/End of File Structured Fields

Begin/End of File structured fields are accepted on either LU 1 or LU 3 sessions. Table 22 shows the format of the Begin/End of File structured fields.

Table 22. Begin/End of File Structured Field Format

Byte	Bit	Contents	Description
0-1		X'0007'	The length of this structure
2-3		X'0F85'	Begin/End of File

Table 22. Begin/End of File Structured Field Format (continued)

Byte	Bit	Contents	Description
4		PID	Partition ID
5	0-1	FLAG1 ¹ B'00' B'01' B'10' B'11'	Reserved End of File is being sent Begin of File is being sent Reserved
	2-7		Reserved
6		FLAG2	Reserved; must be set to 0's.
:			

¹This byte indicates whether Begin of File or End of File is being sent

Processing Begin or End of File Structured Fields

When the Begin or End of File structured fields are used with brackets or non-SNA timeout intervals, the Begin or End of File SFs take precedence over the brackets or timeout intervals in determining when a print job begins or ends. See the following examples:

- Begin or End of File structured fields overriding brackets:
Begin Bracket, Begin of File Structured Field, ...Data...,
End Bracket
The device will wait indefinitely until the End of File structured field is received before ending the print job.
- Begin or End of File structured fields overriding non-SNA timeout intervals:
Begin of File structured fields, ...Data..., pause > timeout value
The device will wait indefinitely until the End of File structured fields is received before ending the print job.
- Inconsistent use of Begin or End of File structured fields and brackets:
Begin Bracket, ...Data1...,
Begin of File Structured Fields,...Data2...,
End of File Structured Fields, ...Data3...,
End Bracket
When you use the Begin of File and End of File structured fields inconsistently with brackets, the results are unpredictable. In the preceding example, the device might process Data1, Data2, and Data3 as separate jobs or combine two or more of them into one file.

For predictable results, each data block must be enclosed by a Begin of File structured field and an End of File structured field. The following example shows three print jobs all delimited by Begin or End of File structured fields:

```
Begin Bracket, Begin of File Structured Field, ...Data1...,
End of File Structured Field,(job1)
Begin of File Structured Field, ...Data2..., End of File Structured Field, (job2)
Begin of File Structured Field, ...Data3..., End of File Structured Field,
End Bracket(job3)
```

PC/3270 always keeps track of brackets and timeout intervals. After the emulator receives a Begin of File structured field, it takes no action on Begin Brackets, End Brackets, or timeout until it receives an End of File structured field. After a valid End of File SF is processed, the emulator defaults to delimiting jobs by brackets or timeout intervals until it receives the next Begin of File structured field.

Begin or End of File Structured Field Error Conditions

PC/3270 does not accept transmission of data belonging to two separate print jobs in the same chain. To be accepted by the emulator, Begin of File structured fields must be the first structured field of a chain and End of File structured fields must be the last structured field of a chain.

PC/3270 rejects transmission in the following instances:

- The emulator receives an End of File structured field without first receiving a Begin of File structured field.
- The emulator receives a second Begin of File structured field without receiving an intervening End of File structured field.
- The emulator receives a Begin of File structured field that is not the first structured field following a **write structured field** command (LU 2, LU 3, and non-SNA sessions) or a Function Management Header 1 (LU 1 sessions).
- The emulator receives an End of File structured field that is not the last structured field following a **write structured field** command (LU 2, LU 3, and non-SNA sessions) or a Function Management Header 1 (LU 1 sessions).

Processing SCS Data Streams

When processing an SCS data stream, PC/3270 treats Begin or End of File structured fields as follows:

- A Begin of File structured field indicates that all SCS data in the same transmission until an End of File structured field is received is part of a new print job.
- An End of File structured field indicates that any SCS data received in the same chain as the End of File structured field is the last data of the current print job.

Processing 3270 Data Streams

When processing a 3270 data stream, PC/3270 treats Begin or End of File structured fields as follows:

- A Begin of File structured field indicates that the next presentation space print (initiated by a **write type** command with the start print bit turned on in the write control character) is the first in a print job.
- An End of File structured field indicates that the last presentation space print was the last of the current print job. The emulator immediately sends a terminate string to the printer to close the printer session.

If PC/3270 receives a Begin of File structured field and an End of File structured field without at least one presentation space separating them, it ignores the structured fields.

Chapter 20. Building a Printer Definition Table (PDT) for PC400

This chapter explains how to create and change the printer definition table (PDT file) used for PC400. Chapter 19, "Building a Printer Definition Table (PDT) for PC/3270," on page 163 contains specific information about creating PC/3270 PDTs. PDTs for PC/3270 and PC400 differ only slightly; if you use a common PDT (used for both PC/3270 and PC400), the additional statements for PC400 are ignored for PC/3270 processing. Similarly, statements unique to PC/3270 are ignored for PC400 processing.

The PDT file is created by converting the printer definition file (PDF file). The PDF and PDT define the transmission of characters and control codes to the printer and the format of printer output. To change an existing PDF (the recommended method) or create a new one, use a text editor that can produce or update an ASCII file.

Using the Printer Definition Table (PDT) File

To use the PDT file:

1. Select **File** from the menu bar of the workstation window.
2. Select **Printer Setup** from the **File** menu.
The Printer Setup window appears.
3. Select the **Use PDT file** check box and **Select PDT**.
The Select PDT file window appears.

To build the PDT file (required only if the PDF has been changed or created):

1. Select **Convert PDF**. Select the PDF file to be converted from the list in the Convert PDF to PDT window; then select **Convert**. The PDF File Converter window appears. After the file has been converted, click on **Close**, then click **Close** in the Convert PDF to PDT window.
2. Click **OK** in the Select PDT file window.
3. Click **OK** on the Printer Setup window.
After printer setup is complete, the Printer Setup window is closed.

Printer Definition File (PDF File) Format

A PDF contains 3 main sections:

- Macro definitions
- Formatting controls
- Character definitions using EBCDIC_XX keywords

Macro Definitions

This section of a PDF contains user-defined macros. A macro is a single mnemonic that stands for a control code or a sequence of control codes. A mnemonic simplifies defining control sequences for PC printers and makes it easier to read the information in the PDF.

The following table shows the structure of a macro definition statement. A macro definition is composed of four parts:

1	2	3	4
name	EQU	PC Printer Control Codes	Comments

For example:

```
FFF EQU 0C /* Form Feed */
```

The first part is the user-defined mnemonic or macro name. This name must be exactly three characters long and must not begin with a number. It is helpful to define a meaningful mnemonic, such as P17 for 17.1 pitch.

The second part, EQU, stands for equate and must be coded as EQU.

The third part is the hexadecimal control code, which is specific to a PC printer. Each PC printer manufacturer can define different control codes for the same printer function. For example, the IBM 4019 LaserPrinter uses control codes defined by the IBM Personal Printer Data Stream (PPDS). Hewlett-Packard printers use control codes defined by the Hewlett-Packard Printer Control Language (PCL). These control codes are usually defined in the manual that comes with the printer.

Some PC printer manuals describe control sequences as a string of ASCII symbols, such as ESC J 1 K; others use hexadecimal numbers, such as 1B 57 01; while others use decimal values, such as 27 28 1. The printer definition table compiler accepts any of these formats.

The control codes in the macro definitions section can be any of the following:

- Single characters that are interpreted as their ASCII value
- Two-digit numbers that are interpreted as hexadecimal values
- Three-digit numbers that are interpreted as decimal values

If you leave the control code section blank or if you delete it, the character or control code is interpreted as a null string. If a character or control code is defined more than once in the file, the last definition is used.

The fourth part is the comment section. The symbols /* indicate the beginning of a comment and the symbols */ indicate the end of a comment. Comments can be coded at any point in the printer definition file and are ignored by the printer definition table compiler.

The following is an example macro definition statements that are specific to the IBM 4019 LaserPrinter.

```
LFF EQU 0A /* Line Feed */
VTB EQU 0B /* Vertical Tab */
FFF EQU 0C /* Form Feed */
CRR EQU 0D /* Carriage Return */
P05 EQU 1B 57 01 /* 5 Pitch-Characters/inch */
P10 EQU 12 /* 10 Pitch-Characters/inch */
CDW EQU 1B 57 00 /* Cancel Double Wide contin. */
P17 EQU 12 0F /* 17.1 Pitch-Character/inch */
LL8 EQU 1B 41 09 1B 32 /* Set line length 8 lines/inch*/
P12 EQU 1B 3A /* 12 Pitch-characters/inch */
RES EQU 1B 5B 4B 07 00 05 31 01 A4 00 00 90
/* The above macro resets the */
/* printer using the factory */
```

```

/* defaults. See the IBM Laser*/
/* Printer Technical Reference */
/* manual. */

```

To illustrate how macros are coded, consider this example. To have the host print job printed in double-wide characters, you must know what control code turns on double-wide printing on your PC printer. On the IBM 4019 LaserPrinter, the control code to turn on double-wide printing is X'1B5701'. This would be coded as:

```
BDW EQU 1B 57 01
```

where BDW stands for Begin Double Wide.

This alone would not cause 3270 host print to send this control to the printer. The mnemonic would have to be included in a control code statement, such as START_JOB which is described in the control codes section of the file.

Note: The IBM 4019 LaserPrinter printer definition file that comes with IBM Personal Communications already has this control code defined as the P05 macro. See line 9 of the sample IBM 4019 LaserPrinter Macro Definition Statements ("IBM4019.PDF File Contents" on page 180).

Macro Name Examples

The following are example mnemonics or macros. The control codes are for the IBM 4019 LaserPrinter:

```

LND EQU 1B 26 6C 31 4F /* LANDSCAPE */
POR EQU 1B 26 6C 30 4F /* PORTRAIT */
P12 EQU 1B 28 73 31 32 2E 30 30 48 /* PITCH_12.00 */
T10 EQU 1B 28 73 31 30 2E 30 56 /* POINT_10.0 */
LTR EQU 1B 26 6C 32 41 /* LETT_PAPER */
G66 EQU 1B 26 6C 36 36 50 /* PG_LENGTH_66 */

```

Formatting Controls

The controls section of a PDF contains the following:

- Session parameters
- Control codes
- Color specifications
- Highlight specifications

Session parameters

MAXIMUM_PAGE_LENGTH, MAXIMUM_PRINT_POSITION, and SET_PAGE_LENGTH

The parameter to the left of the equal sign is a keyword and *must* be coded exactly as shown. The keyword is used to define a statement. The values to the right of the equal sign are macros or control codes. Because the values to the right of the equal sign can be both macros and control codes, they will sometimes be referred to as parameters.

The MAXIMUM_PAGE_LENGTH, MAXIMUM_PRINT_POSITION, and SET_PAGE_LENGTH parameters specify the dimensions of the output job. The number specified in the MAXIMUM_PAGE_LENGTH parameter is used in the SET_PAGE_LENGTH parameter and is substituted for the value keyword. In other words, if SET_PAGE_LENGTH and MAXIMUM_PAGE_LENGTH are coded as follows:

```

MAXIMUM_PAGE_LENGTH=066 /* Printed lines per page */
SET_PAGE_LENGTH=SFL 066

```

The results would be:

```
SET_PAGE_LENGTH=SFL 066
```

Because SFL is coded as X'1B 43' in the macro section, the actual control code that would be sent to the printer to set the maximum page length is:

```
X'1B 43 42'
```

where X'42' is decimal 66.

Note: Setting MPL=255 causes suppression of form feeds (FFs).

Control Codes

The control codes section of a PDF is used by the PDT function to determine what specific PC printer control code is to be sent to the PC printer when an SCS control code is received. Some of the statements used by Communications Manager are shown in the following example.

```
START_JOB=SEL CDW CDL CUL CDS CP8 CS2  
END_JOB=CAT CDW CDL CUL CDS CP4 FFF  
SET_PAGE_LENGTH=SFL value  
SET_VARIABLE_LINE_DENSITY=ESC A value ESC 2  
SET_10_CHARACTERS_PER_INCH=P10
```

Note: The above example lines come from the IBM 4019 LaserPrinter PDF.

START_JOB and END_JOB

The control codes associated with START_JOB are sent at the start of each host print job. It is best to set all printer options to a known or desired state at the beginning of each host print job. The PC printer changes its state or changes the options selected only when instructed to do so by control codes. Therefore, the previous PC application could have left the printer in portrait mode with a Courier font selected, and unless your job changed them, these would be the printer options used.

Even though the START_JOB and END_JOB control codes are the ones shipped with the IBM4019.PDF, many users change them to be more like the ones below:

```
START_JOB=RES P12 LL8  
END_JOB=RES
```

In this example, the RES, P12 and LL8 macros are used on the START_JOB statement (these macros are defined in "IBM4019.PDF File Contents" on page 180). This translates into the following control codes being sent to the printer at the beginning of your print job:

```
X'1B 5B 4B 07 00 05 31 01 A4 00 00 90 1B 3A 1B 41 09 1B 32'
```

This sequence of control codes:

- Resets the printer to the IBM PPDS factory default settings (RES)
- Begins printing in 12 pitch (P12)
- Begins printing at 8 lines per inch (LL8)

The END-JOB statement sends the following control code to the printer at the end of your job:


```
X'1B 5B 4B 07 00 05 31 01 A4 00 00 90'
```

This control code resets the printer to IBM PPDS factory default settings (RES).

SET_VARIABLE_LINE_DENSITY

The SET_VARIABLE_LINE_DENSITY statement is used in combination with the panel where you can select the number of lines per inch (LPI), which can be either 6 or 8.

The PDT process uses whatever is selected in the lines per inch field, and substitutes this number for the value keyword in the SET_VARIABLE_LINE_DENSITY parameter. In other words, if lines per inch is set to 8, the SET_VARIABLE_LINE_DENSITY parameter is
SET_VARIABLE_LINE_DENSITY=ESC A 09 ESC 2

where the 09 comes from $72/8$. The number of typographic points in 1 inch is 42; thus a value of 12 points would indicate six lines to an inch.

The control code that is sent to the printer to set the line density is:

```
X'1B 41 09 1B 32'  
SET_10_CHARACTERS_PER_INCH
```

On most printers, the default pitch is 10 characters per inch. In most PDTs, Personal Communications uses this same convention and sends the control code found on the SET_10_CHARACTERS_PER_INCH statement. This is usually coded in the PDF as:

```
SET_10_CHARACTERS_PER_INCH=P10
```

where P10 is coded in the macro definition section as:

```
P10 EQU 12
```

Printing More than One Screen on a Page

If you want to print two or more screens per page, use the BEL command in the PDF to specify the number of blank lines to insert (instead of a Form Feed between two successive screens). You must coordinate this modification with the usage of the LPI and MPL parameters in the PDF (see “Field Names of Printer Definition Files” on page 190).

Note: This specific use of the BEL command is applicable only for printing screens using the **Print Screen Collection** function.

Setting the value BEL=FF will send a Form Feed, while the value BEL=00 does not insert a Form Feed or a Line Feed.

Values between 00 and FF send that number of blank lines between successive screens. For example, BEL=02 inserts two blank lines between two successive screens. Thus, more than one screen can be printed on a single page.

Transparent Print Capability

ASCII_PASSTHRU? Keyword Support

If you add the following line to your PDF, Personal Communications will send host data without any translation:

```
ASCII_PASSTHRU? = YES
```

This option is for special host applications that generate PC printer control codes directly.

Even if ASCII_PASSTHRU? is set, control codes defined START_JOB and END_JOB are sent to the printer at the start and the end of a print job respectively. To remove those commands, you need to rebuild the PDT file after removing the PDF keyword definitions for START_JOB and END_JOB.

If ASCII_PASSTHRU? is set, all character definition lines, for example, EBCDIC_xx, are ignored.

If both ASCII_PASSTHRU? and EBCDIC_PASSTHRU? are set, ASCII_PASSTHRU? has priority.

EBCDIC_PASSTHRU? Keyword Support

If you add the following line to your PDF, Personal Communications will ignore all SCS commands and send data to the printer after EBCDIC-to-ASCII translation:

```
EBCDIC_PASSTHRU? = YES
```

For example, the default EBCDIC-ASCII translation table used for U.S. English host code page 037 is as follows:

Hex	0	1	2	3	4	5	6	7	8	9	A	B	C	D	E	F
0	2020	2020	2020	2020	2020	2020	2020	2020	2020	2020	2020	2020	2020	2020	2020	2020
10	2020	2020	2020	2020	2020	2020	2020	2020	2020	2020	2020	2020	2020	2020	2020	2020
20	2020	2020	2020	2020	2020	2020	2020	2020	2020	2020	2020	2020	2020	2020	2020	2020
30	2020	2020	2020	2020	2020	2020	2020	2020	2020	2020	2020	2020	2020	2020	2020	2020
40	20FF	8384	85A0	C686	87A4	BD2E	3C28	2B7C								
50	2682	8889	8AA1	8C8B	8DE1	2124	2A29	3BAA								
60	2D2F	B68E	B7B5	C78F	80A5	DD2C	255F	3E3F								
70	9B90	D2D3	D4D6	D7D8	DE60	3A23	4027	3D22								
80	9D61	6263	6465	6667	6869	AFAF	D0EC	E7F1								
90	F86A	6B6C	6D6E	6F70	7172	A6A7	91F7	92CF								
A0	E67E	7374	7576	7778	797A	ADA8	D1ED	E8A9								
B0	5E9C	BEFA	B8F5	F4AC	ABF3	5B5D	EEF9	EF9E								
C0	7B41	4243	4445	4647	4849	F093	9495	A2E4								
D0	7D4A	4B4C	4D4E	4F50	5152	FB96	8197	A398								
E0	5CF6	5354	5556	5758	595A	FDE2	99E3	E0E5								
F0	3031	3233	3435	3637	3839	FCEA	9AEB	E9FF								

You can modify this code page using EBCDIC_xx keywords. Note that the EBCDIC_PASSTHRU? line precedes any EBCDIC_xx lines in your PDF file because Personal Communications reinitializes the EBCDIC-to-ASCII translation table when it finds that EBCDIC_PASSTHRU? is set.

Even if EBCDIC_PASSTHRU? is set, control codes defined START_JOB and END_JOB are sent to the printer at the start and the end of a print job respectively. To remove those commands, you need to rebuild the PDT file after removing PDF keyword definitions for START_JOB and END_JOB.

EBCDIC_xx Keyword Support

EBCDIC_xx keywords are used to remap entries of EBCDIC-to-ASCII translation table for printer sessions that receive SNA character string (SCS) data streams. For example, if you want to print host space characters using ASCII X'1B', add the following line to your PDF file and recompile to update the PDT file:

```
EBCDIC_40 = 1B
```

You can specify two or more characters for one EBCDIC character. The following definition:

```
EBCDIC_F1 = 1 2 3
```

translates EBCDIC X'F1' into "123" in ASCII.

You can also remap EBCDIC code points (X'00'-X'3F') which are normally assigned to SCS control characters. The following line:

```
EBCDIC_15 = 0C
```

overrides the SCS new line function with X'0C', which normally works as a form feed function. If you remap a code point that is not used for a SCS command (for example, X'27') Personal Communications sends the defined code to the printer and does *not* send SNA sense data to the host. The following example

```
EBCDIC_27 = 1B
```

defines EBCDIC code point X'27' as ASCII X'1B', which is used as an escape character on most personal computer printers.

If you do not need to use any SCS command processing but still need EBCDIC-to-ASCII translation, the EBCDIC_PASSTHRU? is a better solution. If you do not need any SCS command processing or EBCDIC-to-ASCII translation, ASCII_PASSTHRU? is an easier solution.

Printer Definition Tables

Standard printer definition table file names are of the form **IBMnnnnn.PDT**, and PDT's ASCII-to-ASCII character definitions are of the form **PRNnnnnn.PDT**, where nnnnn is a machine type. See character definition descriptions for more details.

See the help panel or the specific 5250, 3270, or VT emulator user's reference for a list of the PDT files provided by Personal Communications.

The PDT files contained in the PC400 installation diskette can be used as is. However, you might want to do special formatting by changing the definitions of some fields. To do so, copy an existing PDF file, modify it, and then convert it to a new PDT file.

Example PDF files are shown in "Example Printer Definition Files". Do not attempt to change the statements in a field for which modification is specifically prohibited. If you use a PDT file created from a changed PDF file, the results of printing cannot be guaranteed.

Example Printer Definition Files

The following examples are annotated versions of printer definition files for the IBM LaserPrinter 4019 (for SBCS sessions) and for the IBM 5577 Printer (for DBCS sessions). These are examples only; the actual files may differ.

IBM4019.PDF File Contents

```

/*****
/*
/*      PRINTER SESSION DEFINITION FILE FOR: LaserPrinter 4019/4019-E
/*
/*
/*****
/*****
/*      Macro Definitions
/*
/* Define values here that will be used commonly throughout your
/* definitions. Then use the left hand side of the equate as you
/* define your characters and control strings. The printer compiler
/* will substitute the right hand side of the equate for each
/* occurrence of the left hand side throughout the file.
/*
/*
/* Macro names must be at least three characters long and may not
/* begin with a number.
/*
/*
/* Format
/* A Macro Name is associated with a value or string of values by the
/* EQU statement. The right hand side of an EQU statement must be a
/* string of zero or more two digit hexadecimal numbers. If a macro
/* definition is more than one line long, you may extend it to the
/* next line by ending the first line with a comma. In this manner
/* you may define a macro which is many lines long by terminating each
/* line except the last with a comma. No macro names are allowed on
/* right hand side.
/*****
BEGIN_MACROS
/* The following values are standard for most printers. Check your
/* printer manual to verify that these are correct for your printer
NUL EQU 00          /* Nul character
BEL EQU 07          /* Beeper
BAK EQU 08          /* Back Space
TAB EQU 09          /* Tab
LFF EQU 0A          /* Line Feed
VTB EQU 0B          /* Vertical Tab
FFF EQU 0C          /* Form Feed
CRR EQU 0D          /* Carriage Return
P05 EQU 1B 57 01    /* 5 Pitch-Characters/inch
                   /* Same as Double Wide
SEL EQU 11          /* Select Printer
P10 EQU 12          /* 10 Pitch-Characters/inch
CDW EQU 1B 57 00    /* Cancel Double Wide contin.
CDL EQU 14          /* Cancel Double Wide line
ESC EQU 1B          /* Escape
CAN EQU 18          /* Cancel Data
SPA EQU 20          /* Space
P17 EQU 12 0F       /* 17.1 Pitch-Characters/inch
CS2 EQU 1B 36       /* Select Character Set 2
CS1 EQU 1B 37       /* Select Character Set 1
P12 EQU 1B 3A       /* 12 Pitch-characters/inch
SVT EQU 1B 42       /* Set Vertical Tabs
SFL EQU 1B 43 00    /* Set Form Length
SHT EQU 1B 44       /* Set Horizontal Tabs
SDS EQU 1B 47       /* Start Double Strike
CDS EQU 1B 48       /* Cancel Double Strike
SSP EQU 1B 4E       /* Set skip perforation
CSP EQU 1B 4F       /* Cancel skip perforation
CAT EQU 1B 52       /* Cancel all tabs Clears VT
                   /* and sets HT every 8 position
CSS EQU 1B 54       /* Cancel Subscript or Superscript
SSO EQU 1B 53 00    /* Set Superscript over
SSU EQU 1B 53 01    /* Set Subscript under
SUL EQU 1B 2D 01    /* Start Underline
CUL EQU 1B 2D 00    /* Cancel Underline
SCP EQU 1B 5B 54 04 00 00 00 /* ESC T - select code page

```

```

CP8 EQU 1B 5B 54 04 00 00 00 03 52      /* select code page 850      */
CP4 EQU 1B 5B 54 04 00 00 00 01 B5      /* select code page 437      */
LL2 EQU 1B 41 24 1B 32 /* Setline length 2 lines/inch      */
LL3 EQU 1B 41 18 1B 32 /* Setline length 3 lines/inch      */
LL4 EQU 1B 41 12 1B 32 /* Setline length 4 lines/inch      */
LL6 EQU 1B 41 0C 1B 32 /* Set line length 6 lines/inch      */
LL8 EQU 1B 41 09 1B 32 /* Set line length 8 lines/inch      */
LL0 EQU 1B 41 07 1B 32 /* Set line length 10 lines/inch      */
/* actually 7/72 inch      */
SD1 EQU 1B 5B 46 05 00 00 01 01 00 00 /* Select Drawer 1      */
SD2 EQU 1B 5B 46 05 00 00 01 02 00 00 /* Select Drawer 2      */
ENV EQU 1B 5B 46 05 00 00 02 00 00 00 /* Select Envelope      */
FRM EQU 1B 64      /* Forward Relative Movement      */
VLF EQU 1B 4A      /* Vertical Line Feed 1/216 inch units      */
SPO EQU 1B 6B      /* Set Portrait Orientation      */
SLO EQU 1B 6C      /* Set Landscape Orientation      */
SFG EQU 1B 5B 49 08 00 /* Set Font Global      */
END_MACROS
/*          Session Parameters          */
/* These parameters determine the way in which output will be      */
/* formatted for your printer.      */
/* Numeric Parameters      */
/* These parameters should be defined with a two digit hex number      */
/* or a three digit decimal number. The range of the number is zero      */
/* to 255 (decimal).      */
MAXIMUM_PAGE_LENGTH=066      /* Printed lines per page      */
MAXIMUM_PRINT_POSITION=080      /* Printed characters per line      */
INTERV_REQ_TIMER=001
RESELECT_TIME_EXCPT_5204=001
INTERV_TIMER_ON_PE_ONLY?=NO
HORIZONTAL_PEL=120
VERTICAL_PEL=216
LINE_SPACING_RATIO=072
PAGE_LENGTH_TYPE?=INCH      /* SET_PAGE_LENGTH "value" is      */
/* values      */
/* YES/NO Parameters      */
/* These parameters should be defined with either "YES" or "NO" on the      */
/* right hand side of the '='      */
COMPRESS_LINE_SPACING?=NO      /* Should blank or null lines      */
/* be printed?      */
FORM_FEED_ANY_POSITION?=YES      /* Should the form feed be      */
/* valid in any position?      */
OVERRIDE_FORMATTED_PRINT?=YES      /* Should nulls be printed as      */
/* blanks?      */
AUTO_NEWLINE_AT_MAX_POS?=NO
/*          Control Codes          */
/* These definitions tell the emulator what control strings to send to      */
/* your printer to issue control commands.      */
/*          */
/* Format      */
/* The name of the control command should always be at the beginning      */
/* of a line followed by a '=' and then a definition string.      */
/* A Definition String is any combination of macro names, hexadecimal      */
/* numbers, and characters separated by blanks. A macro must have      */
/* previously defined in the macro definitions section above. A      */
/* hexadecimal number must be two digits (0,..,F) long. and a      */
/* character must be preceded and followed by a blank. If a      */
/* definition string will not fit on a line, it may be continued      */
/* as many lines as you wish by ending each line except the last with      */
/* a comma; ','. You made add any comments you wish to by including      */
/* them between a slash* and a *slash where slash is the symbol /.      */
/*          */
/* START_JOB is the control string which will be sent to your printer      */
/* at the beginning of each print job.      */
START_JOB=SEL CDW CDL CUL CDS CP8 CS2
/* END_JOB is the string which will be sent to your printer at the end      */
/* of each print job.      */

```

```

END_JOB=CAT CDW CDL CUL CDS CP4 FFF
BACKSPACE=BAK
BEL=BEL
CARRIAGE_RETURN=CRR
NEW_LINE=CRR LFF
LINE_FEED=LFF
FORM_FEED=FFF
HORIZONTAL_TAB=TAB
VERTICAL_TAB=VTB
START_SUBSCRIPT=SSU
END_SUBSCRIPT=CSS
START_SUPERSCRIPT=SSO
END_SUPERSCRIPT=CSS
DUP=*
FIELD_MARK=;
/* The following commands specify control codes for which most PC */
/* printers require command strings which contain a variable value */
/* or values somewhere in the middle of the string. */
/* Place the word "value(s)" in the position of your definition */
/* string where the Personal Communications 5250 should fill in */
/* the hexadecimal value(s) indicated. */
/* For example, on the IBM Proprinter, the SET_HORIZONTAL_TABS */
/* definition is: */
/* SET_HORIZONTAL_TABS=ESC D values NUL */
SET_HORIZONTAL_TABS=SHT values NUL /* "values" are the tab stops */
/* in column numbers */
SET_VERTICAL_TABS=SVT values NUL /* "values" are the tab stops */
/* in line numbers */

SET_HORIZONTAL_MARGINS=
SET_PAGE_LENGTH=SFL value /* "value"=inch of the page */
SET_AUTO_PERFORATION_SKIP=SSP value
/* "value"=number of lines to */
/* skip over the perforation */
/* between pages. Used to set */
/* top and bottom margins. */
SET_VARIABLE_LINE_DENSITY=ESC A value ESC 2
/* "value"=number of points. */
/* A point is */
/* 1/(LINE_SPACING_RATIO) inch.*/

SET_CHARACTER_SET=
/*SET_CHARACTER_SET=ESC I NULL selects the normal font */
/*SET_CHARACTER_SET=ESC I 02 selects the NLQ (near letter quality) */
/*SET_CHARACTER_SET=ESC I 04 selects the normal downloaded font */
/*SET_CHARACTER_SET=ESC I 06 selects the NLQ downloaded font */
/*SET_CHARACTER_SET=CS1 selects the Character set 1 */
/*SET_CHARACTER_SET=CS2 selects the Character set 2 */

/* These control codes set the printer lines per inch and characters */
/* per inch to fixed amounts. */
/* If your printer does not support setting the line density in points*/
/* then you can enter control strings for the following commands. */
/* When Personal Communications 5250 gets a command from the host to */
/* set the lines per inch, it will round it to the closest line per */
/* inch setting that you provide. Note that if you provide a command */
/* for the SET_VARIABLE_LINE_DENSITY command above that it will be */
/* used and any control strings you provide for the set lines per inch*/
/* commands below will not be used. */

SET_2_LINES_PER_INCH=LL2
SET_3_LINES_PER_INCH=LL3
SET_4_LINES_PER_INCH=LL4
SET_6_LINES_PER_INCH=LL6
SET_8_LINES_PER_INCH=LL8
SET_10_LINES_PER_INCH=LL0 /* 7/72 inch or 9/96 inch */
SET_10_CHARACTERS_PER_INCH=P10
SET_12_CHARACTERS_PER_INCH=P12
SET_13_CHARACTERS_PER_INCH= /* */

```

```

SET_15_CHARACTERS_PER_INCH=          /* The proprinter does not */
                                        /* support 15 pitch except in */
                                        /* graphic mode */
SET_17_CHARACTERS_PER_INCH=P17      /* Condensed mode */
SET_20_CHARACTERS_PER_INCH=
START_DOUBLE_WIDTH_CHARACTERS=P05
END_DOUBLE_WIDTH_CHARACTERS=CDW

/* These control codes are used to select the source drawer number */
/* when your printer has the dual drawer sheetfeed option. */
SELECT_DRAWER1=SD1
SELECT_DRAWER2=SD2
SELECT_DRAWER3=
SELECT_ENVELOPE=ENV                  /* Envelope */

/* These control codes select the print mode (quality of print). */
SELECT_DRAFT_QUALITY=
SELECT_LETTER_QUALITY=
SELECT_ENHANCED_QUALITY=
SELECT_SETUP_QUALITY=

/* These control codes */
SET_DUPLEX=
SET_DUPLEX_TUMBLE=
RESET_DUPLEX=

/* These control codes set page orientation */
SET_PORTRAIT_ORIENT=SPO
SET_LANDSCAPELEFT_ORIENT=SLO
SET_PORTRAITUPDOWN_ORIENT=SPO
SET_LANDSCAPERGHT_ORIENT=SLO

/* These control codes move the print position (Horizontal/Vertical) */
FORWARD_HORIZONTAL_SKIP=FRM word-value(LH)
FORWARD_VERTICAL_STEP_FEED=VLF byte-value

/* These control codes select the printer font via global font ID */
SET_FONT_GLOBAL=
SET_GFID_0003=SFG 00 03 00 90 01 01 03 52 CDW /* OCR-B.10 */
SET_GFID_0005=SFG 00 05 00 90 01 01 03 52 CDW /* Orator.10 */
SET_GFID_0011=SFG 00 0B 00 90 01 01 03 52 CDW /* Courier.10 */
SET_GFID_0012=SFG 00 0C 00 90 01 01 03 52 CDW /* Prestige.10 */
SET_GFID_0013=SFG 00 0B 00 90 01 01 03 52 CDW /* Artisan.10 */
SET_GFID_0018=SFG 00 12 00 90 01 01 03 52 CDW /* Courier.Italic.10 */
SET_GFID_0019=SFG 00 13 00 90 01 01 03 52 CDW /* OCR-A.10 */
SET_GFID_0020=SFG 00 14 00 90 01 01 03 52 CDW /* Pica.10 */
SET_GFID_0030=SFG 00 1E 00 90 01 01 03 52 CDW /* Math-Symbol.10 */
SET_GFID_0038=SFG 00 26 00 90 01 01 03 52 CDW /* Orator.Bold.10 */
SET_GFID_0039=SFG 00 27 00 90 01 01 03 52 CDW /* Gothic.Bold.10 */
SET_GFID_0040=SFG 00 28 00 90 01 01 03 52 CDW /* Gothic-Text.10 */
SET_GFID_0041=SFG 00 29 00 90 01 01 03 52 CDW /* Roman-text.10 */
SET_GFID_0042=SFG 00 2A 00 90 01 01 03 52 CDW /* Serif-text.10 */
SET_GFID_0043=SFG 00 2B 00 90 01 01 03 52 CDW /* Serif-text.Italic.10*/
SET_GFID_0044=SFG 00 2C 00 90 01 01 03 52 CDW /* Katakana-gothic.10 */
SET_GFID_0045=SFG 00 2D 00 90 01 01 03 52 CDW /* APL.10 */
SET_GFID_0046=SFG 00 2E 00 90 01 01 03 52 CDW /* Courier.Bold.10 */
SET_GFID_0050=SFG 00 32 00 90 01 01 03 52 CDW /* Shalom.10 */
SET_GFID_0066=SFG 00 42 00 78 01 01 03 52 CDW /* Gothic-text.12 */
SET_GFID_0068=SFG 00 44 00 78 01 01 03 52 CDW /* Gothic-text.Italic.12*/
SET_GFID_0069=SFG 00 45 00 78 01 01 03 52 CDW /* Gothic.Bold.12 */
SET_GFID_0070=SFG 00 46 00 78 01 01 03 52 CDW /* Serif-text.12 */
SET_GFID_0071=SFG 00 47 00 78 01 01 03 52 CDW /* Serif-text.Italic.12*/
SET_GFID_0072=SFG 00 48 00 78 01 01 03 52 CDW /* Serif.Bold.12 */
SET_GFID_0080=SFG 00 73 00 78 01 01 03 52 CDW /* Math-Symbol.12 */
SET_GFID_0084=SFG 00 54 00 78 01 01 03 52 CDW /* Script.12 */
SET_GFID_0085=SFG 00 55 00 78 01 01 03 52 CDW /* Courier.12 */
SET_GFID_0086=SFG 00 56 00 78 01 01 03 52 CDW /* Prestige.12 */

```

```

SET_GFID_0087=SFG 00 57 00 78 01 01 03 52 CDW /* Letter-gothic.12 */
SET_GFID_0091=SFG 00 70 00 78 01 01 03 52 CDW /* Light.Italic.12 */
SET_GFID_0107=SFG 00 55 00 78 01 01 03 52 CDW /* Courier.12 */
SET_GFID_0110=SFG 00 6E 00 78 01 01 03 52 CDW /* Letter-Gothic.Bold.12*/
SET_GFID_0111=SFG 00 6F 00 78 01 01 03 52 CDW /* Prestige-Elite.Bold.12*/
SET_GFID_0112=SFG 00 70 00 78 01 01 03 52 CDW /* Prestige.Italic.12 */
SET_GFID_0115=SFG 00 73 00 78 01 01 03 52 CDW /* Math-Symbol.12 */
SET_GFID_0155=SFG 00 9B 00 78 02 01 03 52 CDW /* Boldface.Italic.PSM*/
SET_GFID_0158=SFG 00 9E 00 78 02 01 03 52 CDW /* Modern.PSM */
SET_GFID_0159=SFG 00 9F 00 78 02 01 03 52 CDW /* Document.PSM */
SET_GFID_0160=SFG 00 A0 00 78 02 01 03 52 CDW /* Essay.PSM */
SET_GFID_0162=SFG 00 A2 00 78 02 01 03 52 CDW /* Essay.Italic.PSM */
SET_GFID_0163=SFG 00 A3 00 78 02 01 03 52 CDW /* Essay.Bold.PSM */
SET_GFID_0168=SFG 00 A8 00 78 02 01 03 52 CDW /* Barak.PSM */
SET_GFID_0173=SFG 00 AD 00 78 02 01 03 52 CDW /* Essay.Light.PSM */
SET_GFID_0175=SFG 00 AF 00 78 02 01 03 52 CDW /* Document.PSM */
SET_GFID_0176=SFG 00 B0 00 78 02 01 03 52 CDW /* Boldface.PSM */
SET_GFID_0177=SFG 00 9B 00 78 02 01 03 52 CDW /* Boldface.Italic.PSM*/
SET_GFID_0193=SFG 00 73 00 78 01 01 03 52 CDW /* Math-Symbol.12 */
SET_GFID_0198=SFG 00 1E 00 90 01 01 03 52 CDW /* Math-Symbol.10 */
SET_GFID_0204=SFG 00 CC 00 6C 01 01 03 52 CDW /* Gothic-text.13 */
SET_GFID_0221=SFG 00 DD 00 60 01 01 03 52 CDW /* Prestige.15 */
SET_GFID_0222=SFG 00 E6 00 60 01 01 03 52 CDW /* Gothic-text.15 */
SET_GFID_0223=SFG 00 DF 00 60 01 01 03 52 CDW /* Courier.15 */
SET_GFID_0225=SFG 00 E1 00 60 01 01 03 52 CDW /* Math-symbol.15 */
SET_GFID_0229=SFG 00 E5 00 60 01 01 03 52 CDW /* Serif-text.15 */
SET_GFID_0230=SFG 00 E6 00 60 01 01 03 52 CDW /* Gothic-text.15 */
SET_GFID_0245=SFG 00 2E 00 90 01 01 03 52 P05 /* Courier.Bold.5 */
SET_GFID_0252=SFG 00 FC 00 54 01 01 03 52 CDW /* Courier.15 */
SET_GFID_0253=SFG 00 FD 00 54 01 01 03 52 CDW /* Courier.Bold.17 */
SET_GFID_0254=SFG 00 FE 00 55 01 01 03 52 CDW /* Courier.17 */
SET_GFID_0280=SFG 01 18 00 48 01 01 03 52 CDW /* APL.20 */
SET_GFID_0281=SFG 01 19 00 48 01 01 03 52 CDW /* Gothic-text.20 */
SET_GFID_0290=SFG 01 22 00 36 01 01 03 52 CDW /* Gothic-text.27 */
SET_GFID_0751=SFG 11 37 00 A0 01 03 03 52 CDW /* Sonoran-serif.8pt */
SET_GFID_1051=SFG 11 37 00 C8 01 03 03 52 CDW /* Sonoran-serif.10pt */
SET_GFID_1053=SFG 11 4B 00 C8 01 03 03 52 CDW /* Sonoran-serif.bold.10pt*/
SET_GFID_1056=SFG 11 B7 00 C8 01 03 03 52 CDW /* Sonoran-serif.italic.10pt*/
SET_GFID_1351=SFG 11 37 00 F0 01 03 03 52 CDW /* Sonoran-serif.12pt */
SET_GFID_1653=SFG 11 4B 01 40 01 03 03 52 CDW /* Sonoran-serif.Bold.16pt*/
SET_GFID_2103=SFG 11 4B 01 E0 01 03 03 52 CDW /* Sonoran-serif.Bold.24pt*/

```

```

/* Color Specifications */

```

```

START_COLOR_BLUE=
END_COLOR_BLUE=
START_COLOR_GREEN=
END_COLOR_GREEN=
START_COLOR_CYAN=
END_COLOR_CYAN=
START_COLOR_RED=
END_COLOR_RED=
START_COLOR_MAGENTA=
END_COLOR_MAGENTA=
START_COLOR_YELLOW=
END_COLOR_YELLOW=
START_COLOR_BLACK=
END_COLOR_BLACK=
START_COLOR_WHITE=
END_COLOR_WHITE=

```

```

/* Highlight Specifications */

```

```

/* These definitions will determine how things which are sent by the */
/* host to be displayed or printed as underlined, reverse video, or */
/* blinking will be highlighted on your printer. */

```

```

START_HIGHLIGHT_INTENSE=SDS /* This is double strike */
END_HIGHLIGHT_INTENSE=CDS

```



```
START_HIGHLIGHT_UNDERLINE=SUL
END_HIGHLIGHT_UNDERLINE=CUL
START_HIGHLIGHT_REVERSE_VIDEO=
END_HIGHLIGHT_REVERSE_VIDEO=
START_HIGHLIGHT_BLINK=
END_HIGHLIGHT_BLINK=
```

```
/*                                Character Definitions                                */
```

```
SPACE=SPA
EXCLAMATION_POINT=21
QUOTATION_MARKS=22
NUMBER_SIGN=23
DOLLAR_SIGN=24
PERCENT_SIGN=25
AMPERSAND=26
APOSTROPHE=27
LEFT_PARENTHESIS=28
RIGHT_PARENTHESIS=29
ASTERISK=2A
PLUS_SIGN=2B
COMMA=2C
HYPHEN=2D
PERIOD=2E
SLASH=2F
ZERO=0
ONE=1
TWO=2
THREE=3
FOUR=4
FIVE=5
SIX=6
SEVEN=7
EIGHT=8
NINE=9
COLON=3A
SEMICOLON=3B
LESS_THAN_SIGN=3C
EQUAL_SIGN=3D
GREATER_THAN_SIGN=3E
QUESTION_MARK=3F
AT_SIGN=40
A_CAPITAL=A
B_CAPITAL=B
C_CAPITAL=C
D_CAPITAL=D
E_CAPITAL=E
F_CAPITAL=F
G_CAPITAL=G
H_CAPITAL=H
I_CAPITAL=I
J_CAPITAL=J
K_CAPITAL=K
L_CAPITAL=L
M_CAPITAL=M
N_CAPITAL=N
O_CAPITAL=O
P_CAPITAL=P
Q_CAPITAL=Q
R_CAPITAL=R
S_CAPITAL=S
T_CAPITAL=T
U_CAPITAL=U
V_CAPITAL=V
W_CAPITAL=W
X_CAPITAL=X
Y_CAPITAL=Y
Z_CAPITAL=Z
```

LEFT_BRACKET=5B
BACKSLASH=5C
RIGHT_BRACKET=5D
CIRCUMFLEX_ACCENT=5E
UNDERLINE=5F
GRAVE_ACCENT=60
A_SMALL=a
B_SMALL=b
C_SMALL=c
D_SMALL=d
E_SMALL=e
F_SMALL=f
G_SMALL=g
H_SMALL=h
I_SMALL=i
J_SMALL=j
K_SMALL=k
L_SMALL=l
M_SMALL=m
N_SMALL=n
O_SMALL=o
P_SMALL=p
Q_SMALL=q
R_SMALL=r
S_SMALL=s
T_SMALL=t
U_SMALL=u
V_SMALL=v
W_SMALL=w
X_SMALL=x
Y_SMALL=y
Z_SMALL=z
LEFT_BRACE=7B
VERTICAL_BAR=7C
RIGHT_BRACE=7D
TILDE_ACCENT=7E
C_CEDILLA_CAPITAL=80
U_DIAERESIS_SMALL=81
E_ACUTE_SMALL=82
A_CIRCUMFLEX_SMALL=83
A_DIAERESIS_SMALL=84
A_GRAVE_SMALL=85
A_OVERCIRCLE_SMALL=86
C_CEDILLA_SMALL=87
E_CIRCUMFLEX_SMALL=88
E_DIAERESIS_SMALL=89
E_GRAVE_SMALL=8A
I_DIAERESIS_SMALL=8B
I_CIRCUMFLEX_SMALL=8C
I_GRAVE_SMALL=8D
A_DIAERESIS_CAPITAL=8E
A_OVERCIRCLE_CAPITAL=8F
E_ACUTE_CAPITAL=90
AE_DIPHONG_SMALL=91
AE_DIPHONG_CAPITAL=92
O_CIRCUMFLEX_SMALL=93
O_DIAERESIS_SMALL=94
O_GRAVE_SMALL=95
U_CIRCUMFLEX_SMALL=96
U_GRAVE_SMALL=97
Y_DIAERESIS_SMALL=98
O_DIAERESIS_CAPITAL=99
U_DIAERESIS_CAPITAL=9A
O_SLASH_SMALL=9B
POUND_SIGN=9C
O_SLASH_CAPITAL=9D
MULTIPLY_SIGN=9E

A_ACUTE_SMALL=A0
I_ACUTE_SMALL=A1
O_ACUTE_SMALL=A2
U_ACUTE_SMALL=A3
N_TILDE_SMALL=A4
N_TILDE_CAPITAL=A5
ORDINAL_INDICATOR_FEMININE=A6
ORDINAL_INDICATOR_MASCULINE=A7
QUESTION_MARK_INVERTED=A8
REGISTERED_TRADEMARK_SYMBOL=A9
LOGICAL_NOT=AA
ONE_HALF=AB
ONE_QUARTER=AC
EXCLAMATION_POINT_INVERTED=AD
LEFT_ANGLE_QUOTES=AE
RIGHT_ANGLE_QUOTES=AF
A_ACUTE_CAPITAL=B5
A_CIRCUMFLEX_CAPITAL=B6
A_GRAVE_CAPITAL=B7
COPYRIGHT_SYMBOL=B8
CENT_SIGN=BD
YEN_SIGN=BE
A_TILDE_SMALL=C6
A_TILDE_CAPITAL=C7
INTERNATIONAL_CURRENCY_SYMBOL=CF
ETH_ICELANDIC_SMALL=D0
ETH_ICELANDIC_CAPITAL=D1
E_CIRCUMFLEX_CAPITAL=D2
E_DIAERESIS_CAPITAL=D3
E_GRAVE_CAPITAL=D4
I_DOTLESS_SMALL=D5
I_ACUTE_CAPITAL=D6
I_CIRCUMFLEX_CAPITAL=D7
I_DIAERESIS_CAPITAL=D8
VERTICAL_LINE_BROKEN=DD
I_GRAVE_CAPITAL=DE
O_ACUTE_CAPITAL=E0
SHARP_S_SMALL=E1
O_CIRCUMFLEX_CAPITAL=E2
O_GRAVE_CAPITAL=E3
O_TILDE_SMALL=E4
O_TILDE_CAPITAL=E5
MICRO_SYMBOL=E6
THORN_ICELANDIC_SMALL=E7
THORN_ICELANDIC_CAPITAL=E8
U_ACUTE_CAPITAL=E9
U_CIRCUMFLEX_CAPITAL=EA
U_GRAVE_CAPITAL=EB
Y_ACUTE_SMALL=EC
Y_ACUTE_CAPITAL=ED
OVERLINE=EE
ACUTE_ACCENT=EF
SYLLABLE_HYPHEN=F0
PLUS_OR_MINUS_SIGN=F1
THREE_QUARTERS=F3
PARAGRAPH_SYMBOL=F4
SECTION_SYMBOL=F5
DIVIDE_SIGN=F6
CEDILLA=F7
DEGREE_SYMBOL=F8
DIAERESIS=F9
MIDDLE_DOT_ACCENT=FA
ONE_SUPERSCRIPT=FB
THREE_SUPERSCRIPT=FC
TWO_SUPERSCRIPT=FD
REQUIRED_SPACE=SPA
/*****/

```

/*          PC5250 Internal Data Area.          */
/* Do not change these statements.              */
/*****/
TOP_MARGIN=
LEFT_MARGIN=
DYNAMIC_START_JOB=00 00 00 00 00 00 00 00 00 00
DYNAMIC_END_JOB=00 00
DYNAMIC_SET_PAGE_LENGTH=00 00 00
PRINTER_ID=40 19
/*          End of Definition File              */

```

IBM5577.PDF File Contents

```

/*****/
/*      PDF FILE (PRINTER DEFINITION FILE) FOR: PS/55 Printer      */
/*****/
BEGIN_MACROS
NUL EQU 00
BEL EQU 07
BAK EQU 08
TAB EQU 09
LFF EQU 0A
VTB EQU 0B
FFF EQU 0C
CRR EQU 0D
SEL EQU 11
DC3 EQU 13
ESC EQU 1B
CAN EQU 18
SPA EQU 20
P10 EQU 1B 7E 02 00 01 32
P12 EQU 1B 7E 02 00 01 3C
P13 EQU 1B 7E 02 00 01 43
P15 EQU 1B 7E 02 00 01 4B
SDW EQU 1B 7E 0E 00 01 09
EDW EQU 1B 7E 0E 00 01 0A
SVT EQU 1B 7E 19
SHT EQU 1B 7E 18
CSS EQU 1B 7E 0E 00 01 0F
SS0 EQU 1B 7E 0E 00 01 0D
SSU EQU 1B 7E 0E 00 01 0E
SUL EQU 1B 7E 11 00 01 01
CUL EQU 1B 7E 11 00 01 00
LL2 EQU 1B 7E 03 00 01 14
LL3 EQU 1B 7E 03 00 01 1E
LL4 EQU 1B 7E 03 00 01 28
LL6 EQU 1B 7E 03 00 01 3C
LL7 EQU 1B 7E 03 00 01 4B
LL8 EQU 1B 7E 03 00 01 50
SPL EQU 1B 7E 04 00 03 00
INZ EQU 1B 7E 01 00 00
EJC EQU 1B 7E 0E 00 01 06
END_MACROS
/*****/
/*          Session Parameters          */
/*****/
MAXIMUM_PAGE_LENGTH=066
MAXIMUM_PRINT_POSITION=132
DEFAULT_CPI?=010
DEFAULT_LPI?=006
COMPRESS_LINE_SPACING?=NO
FORM_FEED_ANY_POSITION?=YES
OVERRIDE_FORMATTED_PRINT?=YES
HORIZONTAL_PEL=180
VERTICAL_PEL=120
UNITS_OF_DRAW_LINE=
KANJI_CODE?=SHIFT_JIS

```

```

ZENKAKU_SPACE=
PAGE_LENGTH_TYPE?=6INCH
/*****/
/*          Control Codes          */
/*****/
START_JOB=INZ SEL LL6 P10
END_JOB=INZ
BACKSPACE=BAK
BEL=BEL
CARRIAGE_RETURN=CRR
NEW_LINE=CRR LFF
LINE_FEED=LFF
FORM_FEED=EJC
HORIZONTAL_TAB=TAB
VERTICAL_TAB=VTB
DESELECT=DC3
START_SUBSCRIPT=SSU
END_SUBSCRIPT=CSS
START_SUPERSCRIPT=SSO
END_SUPERSCRIPT=CSS
DUP=*
FIELD_MARK=;
SET_HORIZONTAL_TABS=SHT length(HL)-values
SET_VERTICAL_TABS=SVT length(HL)-values
SET_HORIZONTAL_MARGINS=
SET_PAGE_LENGTH=SPL word-value(HL)
SET_2_LINES_PER_INCH=LL2
SET_3_LINES_PER_INCH=LL3
SET_4_LINES_PER_INCH=LL4
SET_6_LINES_PER_INCH=LL6
SET_7.5_LINES_PER_INCH=LL7
SET_8_LINES_PER_INCH=LL8
SET_10_CHARACTERS_PER_INCH=P10
SET_12_CHARACTERS_PER_INCH=P12
SET_13.4_CHARACTERS_PER_INCH=P13
SET_15_CHARACTERS_PER_INCH=P15
START_DOUBLE_WIDTH_CHARACTERS=SDW
END_DOUBLE_WIDTH_CHARACTERS=EDW
IMAGE_TRANSMISSION=1B 25 31 length(HL)-images
FORWARD_HORIZONTAL_SKIP=1B 25 33 word-value(HL)
FORWARD_VERTICAL_STEP_FEED=1B 25 35 word-value(HL)
SET_FONT_SIZE=1B 7E 20 00 03 word-value(HL) 02
SET_TATEGAKI_MODE=1B 7E 0E 00 01 0B
RESET_TATEGAKI_MODE=1B 7E 0E 00 01 0C
SBCS_FONT_LOAD=1B 7E 81 00 28 F0 40 00 18 byte-values F0 40
DBCS_FONT_LOAD=1B 7E 81 00 4C F0 40 02 18 byte-values F0 40
SELECT_DRAWER=
SET_LOCAL_FONT=
RESET_LOCAL_FONT=
ABS_HORIZONTAL_COLUMN_SKIP=1B 7E 1C 00 02 00 byte-value
REL_HOR_COLUMN_SKIP_TO_RIGHT=1B 7E 1C 00 02 01 byte-value
SET_SOLID_LINE_TYPE=
SET_DOTTED_LINE_TYPE=
SET_LINE_WIDTH_THIN=
SET_LINE_WIDTH_BOLD=
DRAW_LINE=
KANJI_ON=
KANJI_OFF=
ATTRIBUTE_GRID_LINE=1B 7E 16 length(HL)-values
/*****/
/*          Highlight Specifications          */
/*****/
START_HIGHLIGHT_INTENSE=ESC 7E 0E 00 01 17
END_HIGHLIGHT_INTENSE=ESC 7E 0E 00 01 18
START_HIGHLIGHT_UNDERLINE=1B 7E 11 00 01 01
END_HIGHLIGHT_UNDERLINE=1B 7E 11 00 01 00
/*****/

```

```

/*          Internal Data Area.          */
/* Do not change these statement.      */
/*****/
TOP_MARGIN=
LEFT_MARGIN=
DYNAMIC_START_JOB=00 00 00 00 00 00 00 00 00 00
DYNAMIC_END_JOB=00 00
DYNAMIC_SET_PAGE_LENGTH=00 00 00
PRINTER_ID=55 77
/*          End of Definition File      */

```

Field Names of Printer Definition Files

Table 23 lists the field names of the printer definition files (PDF files) and their meanings:

Table 23. Field Names of PDF Files

Field Name	Meaning	Remarks
MAXIMUM_PAGE_LENGTH	Default MPL	Default is 66
MAXIMUM_PRINT_POSITION	Default MPP	Default is 132
DEFAULT_CPI?	Default CPI	Default is 10
DEFAULT_LPI?	Default LPI	Default is 6
COMPRESS_LINE_SPACING?	Specifies whether to print a line containing only space characters or nonprint characters.	
FORM_FEED_ANY_POSITION?	Specifies whether to validate the FF control code on the first line.	Do not change this field.
OVERRIDE_FORMATTED_PRINT?	Specifies whether to print NULL characters as blanks.	Do not change this field.
HORIZONTAL_PEL	FORWARD_HORIZONTAL_SKIP length unit	
VERTICAL_PEL	FORWARD_VERTICAL_SKIP length unit	
IMAGE_HORIZONTAL_PEL	IMAGE_TRANSMISSION horizontal length unit	
IMAGE_VERTICAL_PEL	IMAGE_TRANSMISSION vertical length unit	
LINE_SPACING_RATIO	SET_VARIABLE_LINE_DENSITY length unit	
PAGE_LENGTH_TYPE?	SET_PAGE_LENGTH page length parameter type	
FIRST_LEFT_POSITION	Distance from left paper edge	
FIRST_TOP_POSITION	Distance from top paper edge	
DRAWER1_ORIENTATION	Default page orientation for drawer 1	Default is C0R
DRAWER2_ORIENTATION	Default page orientation for drawer 2	Default is C0R
AUTOMATIC_ORIENTATION	Specifies whether to calculate the page orientation.	
START_JOB	Printer control code sent to a printer to start printing	If the control code specifying LPI/CPI is defined, also change DEFAULT_CPI, DEFAULT_LPI.
END_JOB	Printer control code sent to a printer when printing ends	

Table 23. Field Names of PDF Files (continued)

Field Name	Meaning	Remarks
BACKSPACE	Backspace control code	
BEL	Bell control code	Specifies the number of blank lines to send in Print Screen Collection mode
CARRIAGE_RETURN	Carriage return control code	
NEW_LINE	New line (CR/LF) control code	
LINE_FEED	New line control code	
FORM_FEED	Form feed (FF) control code	
HORIZONTAL_TAB	Horizontal tab control code	
VERTICAL_TAB	Vertical tab control code	
DESELECT	Device control 3 control code	
START_SUBSCRIPT	Subscript character specification	
END_SUBSCRIPT	Subscript character specification release	
START_SUPERSCRIPT	Superscript character specification	
END_SUPERSCRIPT	Superscript character specification release	
DUP	Character used for printing DUP codes	
FIELD_MARK	Character used for printing FIELD MARK characters	
SET_HORIZONTAL_TABS	Horizontal tab setup	Do not change this field.
SET_VERTICAL_TABS	Vertical tab setup	Do not change this field.
SET_HORIZONTAL_MARGINS	Right and left margin setup	Do not change this field.
SET_PAGE_LENGTH	Page length setup	Assign the unit used for the defined control code page length to the PAGE_LENGTH_TYPE field. When single sheets are to be used, delete this field.
SET_VARIABLE_LINE_DENSITY	Line density setup	Assign the unit used for the control code length defined to LINE_SPACING_RATIO field.
SET_2_LINES_PER_INCH	New line pitch (2LPI) setup	
SET_3_LINES_PER_INCH	New line pitch (3LPI) setup	
SET_4_LINES_PER_INCH	New line pitch (4LPI) setup	
SET_6_LINES_PER_INCH	New line pitch (6LPI) setup	
SET_8_LINES_PER_INCH	New line pitch (8LPI) setup	
SET_10_LINES_PER_INCH	New line pitch (10LPI) setup	
SET_10_CHARACTERS_PER_INCH	Character pitch (10CPI) setup	
SET_12_CHARACTERS_PER_INCH	Character pitch (12CPI) setup	
SET_13_CHARACTERS_PER_INCH	Character pitch (13CPI) setup	
SET_15_CHARACTERS_PER_INCH	Character pitch (15CPI) setup	

Table 23. Field Names of PDF Files (continued)

Field Name	Meaning	Remarks
SET_17_CHARACTERS_PER_INCH	Character pitch (17CPI) setup	
SET_20_CHARACTERS_PER_INCH	Character pitch (20CPI) setup	
IMAGE_TRANSMISSION	Image data setup (vertical 24-dot image)	
SELECT_DRAWER1	Page tray (Primary) setup	
SELECT_DRAWER2	Page tray (Alternate) setup	
SELECT_ENVELOPE	Envelope tray setup	
SELECT_DRAFT_QUALITY	Draft print quality setup	
SELECT_LETTER_QUALITY	Letter print quality setup	
SELECT_ENHANCED_QUALITY	Enhanced print quality setup	
SET_DUPLEX	Duplex printing setup	
SET_DUPLEX_TUMBLE	Duplex (tumble) printing setup	
RESET_DUPLEX	Duplex printing release	
SET_PORTRAIT_ORIENT	Page orientation (Normal portrait (upright)) setup	
SET_LANDSCAPELEFT_ORIENT	Page orientation (Landscape left (270 degree clockwise rotation of text)) setup	
SET_PORTRAITUPDOWN_ORIENT	Page orientation (Portrait upside down (180 degree clockwise rotation of text)) setup	
SET_LANDSCAPERIGHT_ORIENT	Page orientation (Landscape right (90 degree clockwise rotation of text)) setup	
FORWARD_HORIZONTAL_SKIP	Variable skip (relative position/dot unit)	Assign the unit of the defined control code length to the HORIZONTAL_PEL field.
FORWARD_VERTICAL_STEP_FEED	Variable line feed (relative position/dot unit)	Assign the unit of the defined control code length to the VERTICAL_PEL field.
SET_FONT_GLOBAL	Global font ID setup	Do not change this field.
SET_GFID_0003	GFID 3 (OCR-B) setup	
SET_GFID_0005	GFID 5 (Orator) setup	
SET_GFID_0011	GFID 11 (Courier 10) setup	
SET_GFID_0012	GFID 12 (Prestige Pica) setup	
SET_GFID_0013	GFID 13 (Artisan 10) setup	
SET_GFID_0018	GFID 18 (Courier Italic 10) setup	
SET_GFID_0019	GFID 19 (OCR-A) setup	
SET_GFID_0020	GFID 20 (Pica) setup	
SET_GFID_0030	GFID 30 (Math Symbol 10) setup	
SET_GFID_0038	GFID 38 (Orator Bold) setup	
SET_GFID_0039	GFID 39 (Gothic Bold 10) setup	
SET_GFID_0040	GFID 40 (Gothic Text 10) setup	
SET_GFID_0041	GFID 41 (Roman Text 10) setup	

Table 23. Field Names of PDF Files (continued)

Field Name	Meaning	Remarks
SET_GFID_0042	GFID 42 (Serif Text 10) setup	
SET_GFID_0043	GFID 43 (Serif Italic 10) setup	
SET_GFID_0044	GFID 44 (Katakana 10) setup	
SET_GFID_0045	GFID 45 (APL 10) setup	
SET_GFID_0046	GFID 46 (Courier Bold 10) setup	
SET_GFID_0050	GFID 50 (Shalom 10) setup	
SET_GFID_0066	GFID 66 (Gothic Text 12) setup	
SET_GFID_0068	GFID 68 (Gothic Italic 12) setup	
SET_GFID_0069	GFID 69 (Gothic Bold 12) setup	
SET_GFID_0070	GFID 70 (Serif Text 12) setup	
SET_GFID_0071	GFID 71 (Serif Italic 12) setup	
SET_GFID_0072	GFID 72 (Serif Bold 12) setup	
SET_GFID_0080	GFID 80 (Math Symbol 12) setup	
SET_GFID_0084	GFID 84 (Script 12) setup	
SET_GFID_0085	GFID 85 (Courier 12) setup	
SET_GFID_0086	GFID 86 (Prestige Elite) setup	
SET_GFID_0087	GFID 87 (Letter Gothic 12) setup	
SET_GFID_0091	GFID 91 (Light Italic 12) setup	
SET_GFID_0110	GFID 110 (Letter Gothic Bold 12) setup	
SET_GFID_0111	GFID 111 (Prestige Elite Bold) setup	
SET_GFID_0112	GFID 112 (Prestige Elite Italic) setup	
SET_GFID_0115	GFID 115 (Math Symbol 12) setup	
SET_GFID_0155	GFID 155 (Boldface Italic) setup	
SET_GFID_0158	GFID 158 (Modern) setup	
SET_GFID_0159	GFID 159 (Boldface) setup	
SET_GFID_0160	GFID 160 (Essay) setup	
SET_GFID_0162	GFID 162 (Essay Italic) setup	
SET_GFID_0163	GFID 163 (Essay Bold) setup	
SET_GFID_0168	GFID 168 (Barak PSM) setup	
SET_GFID_0173	GFID 173 (Essay Light) setup	
SET_GFID_0175	GFID 175 (Document) setup	
SET_GFID_0176	GFID 176 (Boldface) setup	
SET_GFID_0177	GFID 177 (Boldface Italic) setup	
SET_GFID_0193	GFID 193 (Math Symbol 12) setup	
SET_GFID_0198	GFID 198 (Math Symbol 10) setup	
SET_GFID_0204	GFID 204 (Gothic Text 13) setup	
SET_GFID_0221	GFID 221 (Prestige 15) setup	
SET_GFID_0222	GFID 222 (Gothic Text 15) setup	
SET_GFID_0223	GFID 223 (Courier 15) setup	
SET_GFID_0225	GFID 225 (Math Symbol 15) setup	

Table 23. Field Names of PDF Files (continued)

Field Name	Meaning	Remarks
SET_GFID_0229	GFID 229 (Serif Text 15) setup	
SET_GFID_0230	GFID 230 (Gothic Text 15) setup	
SET_GFID_0245	GFID 245 (Courier Bold 5) setup	
SET_GFID_0252	GFID 252 (Courier 17) setup	
SET_GFID_0253	GFID 253 (Courier Bold 17) setup	
SET_GFID_0254	GFID 254 (Courier 17 (sub/super)) setup	
SET_GFID_0280	GFID 280 (APL 20) setup	
SET_GFID_0281	GFID 281 (Gothic Text 20) setup	
SET_GFID_0290	GFID 290 (Gothic Text 27) setup	
SET_GFID_0751	GFID 751 (Sonoran-Serif 8-pt Roman Medium) setup	
SET_GFID_1051	GFID 1051 (Sonoran-Serif 10-pt Roman Medium) setup	
SET_GFID_1053	GFID 1053 (Sonoran-Serif 10-pt Roman Bold) setup	
SET_GFID_1056	GFID 1056 (Sonoran-Serif 10-pt Italic Medium) setup	
SET_GFID_1351	GFID 1351 (Sonoran-Serif 12-pt Roman Medium) setup	
SET_GFID_1653	GFID 1653 (Sonoran-Serif 16-pt Roman Bold) setup	
SET_GFID_2103	GFID 2103 (Sonoran-Serif 24-pt Roman Bold) setup	
START_HIGHLIGHT_INTENSE	Highlight printing setup	
END_HIGHLIGHT_INTENSE	Highlight printing release	
START_HIGHLIGHT_UNDERLINE	Underline setup	
END_HIGHLIGHT_UNDERLINE	Underline release	
TOP_MARGIN	Default top margin	Do not change this field.
LEFT_MARGIN	Default left margin	Do not change this field.
DYNAMIC_START_JOB	Printer control code sent to a printer to start printing (internal use)	Do not change this field.
DYNAMIC_END_JOB	Printer control code sent to a printer to stop printing (internal use)	Do not change this field.
DYNAMIC_SET_PAGE_LENGTH	Page length setup control code sent to a printer at the start of printing (internal use)	Do not change this field.
PRINTER_ID	Printer ID	Do not change this field.
KANJI_CODE?	Used kanji codes (JIS or SHIFT_JIS)	Do not change this field.
ZENKAKU_SPACE	The size (adjustment unit) of a user-defined character and a HANKAKU character	Do not change this field.
SBCS_FONT_LOAD	Registration of a HANKAKU GAIJI	Do not change this field.
DBCS_FONT_LOAD	Registration of a ZENKAKU GAIJI	Do not change this field.

Table 23. Field Names of PDF Files (continued)

Field Name	Meaning	Remarks
SET_LOCAL_FONT	Set a font set of user-defined characters	Remove this field when user-defined characters are not loaded to a printer.
RESET_LOCAL_FONT	Reset a font set of user-defined characters	Remove this field when user-defined characters are not loaded to a printer.
KANJI_ON	Set kanji mode	
KANJI_OFF	Reset kanji mode	
ATTRIBUTE_GRID_LINE	Grid-line print	Do not change this field.
START_DOUBLE_WIDTH_CHARACTER	Set a double-width character	
END_DOUBLE_WIDTH_CHARACTER	Reset a double-width character	

Notes:

1. When using IBM5577.PDF, change FORM_FEED=EJC to FORM_FEED in the file when a continuous form job does not feed correctly.
2. When using ESC_P.PDF, DBCS (2-byte) characters are placed to the left of the character box, not in the center. To place DBCS characters in the center of the character box, change the IBM-supplied values in ESC_P.PDF:

```
P10 EQU 1B 50 1B 20 00 1C 53 00 0C 1C 54 00 00
P12 EQU 1B 4D 1B 20 00 1C 53 00 06 1C 54 00 00
P13 EQU 1B 67 1B 20 01 1C 53 00 03 1C 54 00 01
P15 EQU 1B 67 1B 20 00 1C 53 00 00 1C 54 00 00
```

to the following:

```
P10 EQU 1B 50 1B 20 00 1C 53 06 06 1C 54 00 00
P12 EQU 1B 4D 1B 20 00 1C 53 03 03 1C 54 00 00
P13 EQU 1B 67 1B 20 01 1C 53 02 01 1C 54 00 01
P15 EQU 1B 67 1B 20 00 1C 53 00 00 1C 54 00 00
```

The following table lists the session parameter field names and their effective values:

Table 24. Effective Values for PDF File Field Names

Field Name	Effective Value
MAXIMUM_PAGE_LENGTH	001 to 255
MAXIMUM_PRINT_POSITION	001 to 255
DEFAULT_CPI?	010/012/015
DEFAULT_LPI?	004/006/008
COMPRESS_LINE_SPACING?	YES/NO
FORM_FEED_ANY_POSITION?	YES/NO
OVERRIDE_FORMATTED_PRINT?	YES/NO
HORIZONTAL_PEL	FORWARD_HORIZONTAL_SKIP length unit
VERTICAL_PEL	FORWARD_VERTICAL_STEP_FEED length unit
IMAGE_HORIZONTAL_PEL	IMAGE_TRANSMISSION horizontal unit
IMAGE_VERTICAL_PEL	IMAGE_TRANSMISSION vertical unit

Table 24. Effective Values for PDF File Field Names (continued)

Field Name	Effective Value
LINE_SPACING_RATIO	SET_VARIABLE_LINE_DENSITY length unit
PAGE_LENGTH_TYPE?	LINE/INCH/6INCH*
FIRST_LEFT_POSITION	000 to 1440 in units of 1/1440 inch
FIRST_TOP_POSITION	000 to 1440 in units of 1/1440 inch
DRAWER1_ORIENTATION	LANDSCAPE/PORTRAIT/COR
DRAWER2_ORIENTATION	LANDSCAPE/PORTRAIT/COR
AUTOMATIC_ORIENTATION	YES/NO
* 6/INCH indicates that page length should be specified in units of 1/6 inch.	

Notes:

1. If one of the desired CPI/LPI settings is not exactly supported by the printer, set the nearest value. The results of printing might not be as desired.
2. If the units used to specify the control code length defined in FORWARD_HORIZONTAL_SKIP and FORWARD_VERTICAL_STEP_FEED are not the same as the units used to specify the HORIZONTAL_PEL and VERTICAL_PEL, the desired output will not be obtained.
3. If the units used to specify the control code length defined in SET_VARIABLE_LINE_DENSITY are not the same as the units used to specify the LINE_SPACING_RATIO, the desired output will not be obtained.
4. When FIRST_LEFT_POSITION and FIRST_TOP_POSITION are specified, their values are regarded as specifying the unprintable area in the page of the printer. These values are included in the top margin and the left margin specified by the iSeries, eServer i5, or System i5 printer control code.

Symbols of Printer Definition Files

The following table lists the symbols that are defined for printer definition files.

Table 25. Printer Symbol Definitions

Field Name	Symbol
SPACE	
EXCLAMATION_POINT	!
QUOTATION_MARKS	"
NUMBER_SIGN	#
DOLLAR_SIGN	\$
PERCENT_SIGN	%
AMPERSAND	&
APOSTROPHE	'
LEFT_PARENTHESIS	(
RIGHT_PARENTHESIS)
ASTERISK	*
PLUS_SIGN	+
COMMA	,
HYPHEN	-

Table 25. Printer Symbol Definitions (continued)

Field Name	Symbol
PERIOD	.
SLASH	/
ZERO	0
ONE	1
TWO	2
THREE	3
FOUR	4
FIVE	5
SIX	6
SEVEN	7
EIGHT	8
NINE	9
COLON	:
SEMICOLON	;
LESS_THAN_SIGN	<
EQUAL_SIGN	=
GREATER_THAN_SIGN	>
QUESTION_MARK	?
AT_SIGN	@
A_CAPITAL	A
B_CAPITAL	B
C_CAPITAL	C
D_CAPITAL	D
E_CAPITAL	E
F_CAPITAL	F
G_CAPITAL	G
H_CAPITAL	H
I_CAPITAL	I
J_CAPITAL	J
K_CAPITAL	K
L_CAPITAL	L
M_CAPITAL	M
N_CAPITAL	N
O_CAPITAL	O
P_CAPITAL	P
Q_CAPITAL	Q
R_CAPITAL	R
S_CAPITAL	S
T_CAPITAL	T
U_CAPITAL	U

Table 25. Printer Symbol Definitions (continued)

Field Name	Symbol
V_CAPITAL	V
W_CAPITAL	W
X_CAPITAL	X
Y_CAPITAL	Y
Z_CAPITAL	Z
LEFT_BRACKET	[
BACKSLASH	\
RIGHT_BRACKET]
CIRCUMFLEX_ACCENT	^
UNDERLINE	_
GRAVE_ACCENT	`
A_SMALL	a
B_SMALL	b
C_SMALL	c
D_SMALL	d
E_SMALL	e
F_SMALL	f
G_SMALL	g
H_SMALL	h
I_SMALL	i
J_SMALL	j
K_SMALL	k
L_SMALL	l
M_SMALL	m
N_SMALL	n
O_SMALL	o
P_SMALL	p
Q_SMALL	q
R_SMALL	r
S_SMALL	s
T_SMALL	t
U_SMALL	u
V_SMALL	v
W_SMALL	w
X_SMALL	x
Y_SMALL	y
Z_SMALL	z
LEFT_BRACE	{
VERTICAL_BAR	

Table 25. Printer Symbol Definitions (continued)

Field Name	Symbol
RIGHT_BRACE	}
TILDE_ACCENT	~
C_CEDILLA_CAPITAL	Ç
U_DIAERESIS_SMALL	ü
E_ACUTE_SMALL	é
A_CIRCUMFLEX_SMALL	â
A_DIAERESIS_SMALL	ä
A_GRAVE_SMALL	à
A_OVERCIRCLE_SMALL	å
C_CEDILLA_SMALL	ç
E_CIRCUMFLEX_SMALL	ê
E_DIAERESIS_SMALL	ë
E_GRAVE_SMALL	è
I_DIAERESIS_SMALL	ï
I_CIRCUMFLEX_SMALL	î
I_GRAVE_SMALL	ì
A_DIAERESIS_CAPITAL	Ä
A_OVERCIRCLE_CAPITAL	Å
E_ACUTE_CAPITAL	É
AE_DIPHONG_SMALL	æ
AE_DIPHONG_CAPITAL	Æ
O_CIRCUMFLEX_SMALL	ô
O_DIAERESIS_SMALL	ö
O_GRAVE_SMALL	ò
U_CIRCUMFLEX_SMALL	û
U_GRAVE_SMALL	ù
Y_DIAERESIS_SMALL	ÿ
O_DIAERESIS_CAPITAL	Ö
U_DIAERESIS_CAPITAL	Ü
O_SLASH_SMALL	ø
POUND_SIGN	£
O_SLASH_CAPITAL	Ø
MULTIPLY_SIGN	×
A_ACUTE_SMALL	á
I_ACUTE_SMALL	í
O_ACUTE_SMALL	ó
U_ACUTE_SMALL	ú
N_TILDE_SMALL	ñ
N_TILDE_CAPITAL	Ñ
ORDINAL_INDICATOR_FEMININE	ª

Table 25. Printer Symbol Definitions (continued)

Field Name	Symbol
ORDINAL_INDICATOR_MASCULINE	º
QUESTION_MARK_INVERTED	¿
REGISTERED_TRADEMARK_SYMBOL	®
LOGICAL_NOT	¬
ONE_HALF	½
ONE_QUARTER	¼
EXCLAMATION_POINT_INVERTED	¡
LEFT_ANGLE_QUOTES	«
RIGHT_ANGLE_QUOTES	»
A_ACUTE_CAPITAL	Á
A_CIRCUMFLEX_CAPITAL	Â
A_GRAVE_CAPITAL	À
COPYRIGHT_SYMBOL	©
CENT_SIGN	¢
YEN_SIGN	¥
A_TILDE_SMALL	ã
A_TILDE_CAPITAL	Ã
E_CIRCUMFLEX_CAPITAL	Ê
E_DIAERESIS_CAPITAL	Ë
I_ACUTE_CAPITAL	Í
I_CIRCUMFLEX_CAPITAL	Î
I_DIAERESIS_CAPITAL	Ï
VERTICAL_LINE_BROKEN	
I_GRAVE_CAPITAL	Ì
O_ACUTE_CAPITAL	Ó
O_CIRCUMFLEX_CAPITAL	Ô
O_GRAVE_CAPITAL	Ò
O_TILDE_SMALL	õ
O_TILDE_CAPITAL	Õ
MICRO_SYMBOL	µ
U_ACUTE_CAPITAL	Ú
U_CIRCUMFLEX_CAPITAL	Û
U_GRAVE_CAPITAL	Ù
ACUTE_ACCENT	´
SYLLABLE_HYPHEN	-
PLUS_OR_MINUS_SIGN	±
THREE_QUARTERS	¾
PARAGRAPH_SYMBOL	¶

Table 25. Printer Symbol Definitions (continued)

Field Name	Symbol
SECTION_SYMBOL	§
DIVIDE_SIGN	÷
DEGREE_SYMBOL	°
ONE_SUPERSCRIPT	¹
THREE_SUPERSCRIPT	³
TWO_SUPERSCRIPT	²
REQUIRED_SPACE	
INTERNATIONAL_CURRENCY_SYMBOL	¤
ETH_ICELANDIC_SMALL	ð
ETH_ICELANDIC_CAPITAL	Ð
SHARP_S_SMALL	ß
THORN_ICELANDIC_SMALL	þ
THORN_ICELANDIC_CAPITAL	Þ
Y_ACUTE_SMALL	ý
Y_ACUTE_CAPITAL	Ý
OVERLINE	—
CEDILLA	¸
DIAERESIS	¨
MIDDLE_DOT_ACCENT	·

Using Printer Control Codes

This section explains the SNA Character String (SCS) control codes, or Final Form Text: Document Content Architecture (FFT DCA).

For details of iSeries, eServer i5, or System i5 printer control codes, refer to *AS/400 Guide to Programming for Printing*.

Printer Control Code Format

Some printer control codes perform single, specific functions by themselves, while others perform multiple functions according to the parameters specified after the control code.

A printer control code with parameters has the following format:

Control Code	Count	Parameter 1	Parameter 2...
1 or 2 bytes	1 byte	1 or 2 bytes	1 or 2 bytes

A count consists of 1 byte, and indicates the length of the parameters (including the count) after the control code, in bytes. For example, a count and two 1-byte parameters is shown as X'03', because the count itself is included. Some control codes, such as the Printing Position (PP) control code, do not have counts.

A parameter can be 1 or 2 bytes in length. The number of bytes depends on the control codes. Not all control codes have parameters.

Note: In this manual, counts and parameters that are actually processed in binary are all expressed in hexadecimal (0–F) to improve readability.

Parameter Definition of Printer Control Codes

Some printer control codes require that parameters be specified. Pay particular attention when defining a parameter because how this is done depends on the parameter type. If the definition method for another type is used, the desired output will not be obtained.

The following table lists printer control code parameter types and their meanings:

Table 26. Printer Control Code Parameter Types

Parameter Type	Meaning
byte-value	One-byte parameter.
byte-values	Multibyte parameter. Used if operands are fixed.
word-value(HL)	One-word parameter (higher and lower bytes).
word-value(LH)	One-word parameter (lower and higher bytes).
length(HL)-values	Multibyte parameter requiring operands. An operand consists of a higher and lower byte. Used if operands are variable.
length(LH)-values	Multibyte parameter requiring operands. An operand consists of a lower and higher byte. Used if operands are variable.
length(HL)-images	Image data requiring operands. An operand consists of a higher and lower byte.
length(LH)-images	Image data requiring operands. An operand consists of a lower and higher byte.
decimal-characters	Decimal characters parameter.

Supported Control Codes

Personal Communications supports all control codes for the 3812 printer.

Supported SCS Commands

Table 27. Supported SCS Commands

SCS Command	Abbreviation	Hexadecimal Code	Function
Character Attribute			
Set Font Size Scaling	SFSS	2BFDnn02xyyy	Specifies the font-size scaling for expansion.
Character Set Control			
Load Alternate Character (DBCS only)	LAC	2BFEnnmnee	Loads the alternate character font.
Set CGCS ¹ Through Local ID	SCL	2BD1nn810B	Specifies the character set for each language.
Set Character Distance	SCD	2BD2nn29xxxx	Selects the pitch and font.

Table 27. Supported SCS Commands (continued)

SCS Command	Abbreviation	Hexadecimal Code	Function
Set Font ID Through GFID ²	SFG	2BD1nn05xxxxyyyyzz	Selects the font.
Set GCSGID ³ Through GCID ⁴	SCG	2BD1nn01xxxxyyyy	Specifies the code page.
Set Presentation of Control Character	SPCC	2BFDnn03xxxx	Specifies the treatment of SO and SI.
Shift Out (DBCS only)	SO	0E	Start of DBCS field.
Shift In (DBCS only)	SI	0F	End of DBCS field.
Device Control			
Bell	BEL	2F	Ignored.
Null	NUL	00	Ignored.
Repeat	RPT	0A	Ignored.
Set Exception Action	SEA	2BD2nn85p1-pn	Specifies the explicit action.
Set Initial Conditions	SIC	2BD2nn45xx	Sets the environment of the EBCDIC transform.
Set Print Setup	SPSU	2BD2nn4Cp1-pn	Ignored.
Switch	SW	2A	Ignored.
Generation Control			
Begin Emphasis	BES	2BD1nn8Axx	Begins emphasis.
Begin Overstrike	BOS	2BD4nn72wwxyyyzzzz	Begins overstriking.
Begin Underscore	BUS	2BD4nn0Axyy	Begins underscoring.
Enable Presentation	ENP	14	Ignored.
End Emphasis	EES	2BD1nn8Exx	Ends emphasis.
End Overstrike	EOS	2BD4nn76	Ends overstriking.
End Underscore	EUS	2BD4nn0E	Ends underscoring.
Inhibit Presentation	INP	24	Ignored.
Justify Text Field	JTF	2BD2nn03xxxxyy	Justifies the following text.
Set Graphic Error Action	SGEA	2BC8nnxyy	Specifies how to process a received unprintable character font.
Set Justify Mode	SJM	2BD2nn0Dxyy	Justifies each line of text between the left and right margins.
Subscript	SBS	38	Subscript.
Substitute	SUB	3F	Synonym for the graphic exception character.
Superscript	SPS	09	Superscript.
Word Underscore	WUS	23	Underscore the entire word immediately preceding the control.
Grid Control			
Define Grid Line	DGL	2BFDnn00 xxyyG1~Gn	Specifies and prints the grid line
Print Format Control			

Table 27. Supported SCS Commands (continued)

SCS Command	Abbreviation	Hexadecimal Code	Function
Form Feed	FF	0C	Moves the printing position to the next page.
Page Presentation Media	PPM	2BD2nn48ssssuuvv wwxyyyzz	Specifies the forms setting, the source drawer, the quality, and the duplex function.
Required Form Feed	RFF	3A	Moves the printing position to the next page and restores the indent level to the left margin.
Set Horizontal Format	SHF	2BC1nnxyyyzt1–tn	Specifies the maximum print position, the left and right margins, and the horizontal tab stops in units of 1 character.
Set Horizontal Margins	SHM	2BD2nn11xxxxyyyy	Sets the left and right margins in units of 1/1440 inch.
Set IGC Type	SIT	2BFDnn010000	Specifies the pitch of DBCS characters
Set Presentation Page Size	SPPS	2BD2nn40xxxxyyyy	Specifies the presentation surface width and depth.
Set Text Orientation	STO	2BD3nnF6xxxxyyyy	Specifies the page rotation.
Set Vertical Format	SVF	2BC2nnxyyyzt1–tn	Specifies the maximum print line, the top and bottom margins, and the vertical tab stops in units of 1 character.
Set Vertical Margins	SVM	2BD2nn49xxxxyyyy	Sets the top and bottom margins in units of 1/1440 inch.
Printing Position Control			
Backspace	BS	16	Moves the printing position to the left one font width.
Carriage Return	CR	0D	Moves the printing position to the left margin.
Horizontal Tab	HT	05	Moves the printing position right to the next tab stop.
Indent Tab	IT	39	Moves the printing position right to the next tab stops and sets the indent level one tab stop further to the right.
Index Return	IRT	33	Synonym for “Required New Line.”
Interchange Record Separator	IRS	1E	Synonym for “New Line.”
Line Feed	LF	25	Moves the printing position one line vertically.
New Line	NL	15	Moves the printing position to the left margin of the next line.
Numeric Backspace	NBS	36	Synonym for “Backspace.”
Presentation Position	PP	34fpxx	Moves the printing position.
Release Left Margin	RLM	2BD2nn0B	Ignored.
Required New Line	RNL	06	Moves the printing position to the left margin of the next line and resets any pending indent level.

Table 27. Supported SCS Commands (continued)

SCS Command	Abbreviation	Hexadecimal Code	Function
Set Horizontal Tab Stops	STAB	2BD2nn01xxt1–tn	Specifies the tab stops.
Set Indent Level	SIL	2BD2nn07xx	Sets the indent level to the specific tab stop.
Set Line Density	SLD	2BC6nnxx	Specifies the line pitch in units of 1/72 inch.
Set Line Spacing	SLS	2BD2nn09xx	Specifies the number of lines spaced by a new line control.
Set Single Line Distance	SSLD	2BD2nn15xxxx	Specifies the line pitch in units of 1/1440 inch.
Unit Backspace	UBS	1A	Moves the printing position 1/60 inch to the left.
Vertical Tab	VT	0B	Moves the printing position down to the next tab stop.
Transparent Control			
ASCII Transparent	ATRN	03	Allows printer commands and ASCII data to be passed to the printer.
Transparent	TRN	35nn	Allows printer commands and ASCII data to be passed to the printer.
Note: 1 Coded Graphic Character Set 2 Global Font ID 3 Graphic Character Set Global Identifier 4 Graphic Character set ID			
Legend: nn: Count fp: Function parameter ee, gg, hh, il–ix, mm, nn, p1–pn, ss, t1–tn, uu, vv, ww, xx, yy, zz: Numeric parameter			

Programming Notes

This section briefly explains how a printer reacts if a partial control code is received, or if an incomplete control code is sent.

If the transmission of a control code is interrupted, the printer waits for the remaining part of the code. If the data stream (the series of data units and control codes) sent after the interruption is consistent with the data stream sent before the interruption, (that is, if one complete printer control code is restored by chaining), the control code is processed as is.

If the two parts of the data stream are inconsistent, an error occurs. A negative response to an “Invalid Printer Parameter” is sent to the host system, or treated as a no-op (no operation; ignored because of a meaningless code). Detailed information is not sent to the host system if an error occurs in a control code. After programming, the data stream must be checked thoroughly by repeating the printing test.

Restrictions and Notes for iSeries, eServer i5, or System i5 Commands and Printer Setup

This section provides supplementary notes and explains restrictions for printing.

Printer Control Codes

Table 28. Printer Control Codes

Printer Control Code	If Use PDT file is Selected:	If a Windows Printer Driver is Used:
SCD — Set the Character Density	Select the GFID for the valid character distance (CD) parameter as shown in Table 29.	
	If the specified font is not supported, a substitution is provided. For example, when 15 CPI font is specified but the font is not supported, the supported 17 CPI font is substituted.	See “How to Determine PC400 Font” on page 207.
SFG — Set Font ID through GFID	Recognizable GFIDs are restricted. (See “Field Names of Printer Definition Files” on page 190.) If the specified GFID is not supported and it is out of the range from 154 through 200, the closest font width from the fonts shown in Table 30 on page 207 is substituted.	
	If the specified GFID is not supported and it is between 154 and 200, the following font is substituted: Font name: Document; GFID value: 175.	See “How to Determine PC400 Font” on page 207.
BUS — Begin Underscore		The selected font might not support the underscore.
BES — Begin Emphasis		The selected font might not support the emphasis.
STO — Set Text Orientation		The page orientation can be changed to portrait or landscape. The direction, which is up, down, left, or right on the paper, depends on the Microsoft Windows printer driver. If the page orientation is changed, the current paper is ejected.
PPM — Page Presentation Media	The following parameters are supported for PDTs in DBCS mode: <ul style="list-style-type: none"> • Forms Control (FC) • Source Drawer (SD) • Duplex (DX) Other parameters are ignored.	

Table 29. SCD Parameter Values

CD Parameter	Character Pitch (normal)	GFID Value (COR)
000A	10 CPI	13 CPI 204
000B	Proportional	13 CPI 175
000C	12 CPI	15 CPI 86
000F	15 CPI	20 CPI 230
00FF	10 CPI	13 CPI 204

The following table lists only the most commonly used GFIDs. See Table 31 for the complete list.

Table 30. Commonly Used SFG GFID Values

Font Name	GFID value
Courier Bold 5	245
Courier 10	11
Prestige Elite 12	86
Gothic-text 13	204
Gothic-text 15	230
Courier 17	252
Gothic-text 20	281
Gothic-text 27	290

When you use the Windows printer driver, the spooler must be on.

How to Determine PC400 Font

When a print job is created on iSeries, eServer i5, or System i5, a certain font, identified by font ID (GFID), is associated with it. Such a font can be specified by the following parameters:

- Font family
- Pitch and family
- Character set
- Width
- Height
- Weight
- Style

System fonts are available with all print drivers, and more flexible device fonts are unique to each printer and printer driver. These fonts are also more fixed as to CPI, weight, code pages, and other criteria that can preclude use of it when matching to the host specified needs.

There are problems associated with mapping an iSeries, eServer i5, or System i5 font to a PC font. When your PC has all of the fonts that you need, use the following table to determine the best font to use.

Table 31. iSeries, eServer i5, or System i5 Font Parameters

Entry ID	Font Family	GFID	Pitch & Family	Character Set	Width	Height	Weight	Style
GFID0003	OCR-B	3	49	0	144	240	400	0
GFID0005	Orator	5	49	0	144	240	400	0
GFID0011	Courier	11	49	0	144	240	400	0
GFID0012	Prestige	12	49	0	144	240	400	0
GFID0013	Artisan	13	49	0	144	240	400	0
GFID0018	Courier Italic	18	49	0	144	240	400	255
GFID0019	OCR-A	19	49	0	144	240	400	0
GFID0020	Pica	20	49	0	144	240	400	0

Table 31. iSeries, eServer i5, or System i5 Font Parameters (continued)

Entry ID	Font Family	GFID	Pitch & Family	Character Set	Width	Height	Weight	Style
GFID0030	Symbol	30	49	2	144	240	400	0
GFID0038	Orator	38	49	0	144	240	400	0
GFID0039	Gothic	39	49	0	144	240	800	0
GFID0040	Gothic	40	49	0	144	240	800	0
GFID0041	Roman	41	49	0	144	240	400	0
GFID0042	Serif	42	49	0	144	240	400	0
GFID0043	Serif	43	49	0	144	240	400	255
GFID0044	Katakana	44	49	0	144	240	400	0
GFID0045	APL	45	49	0	144	240	400	0
GFID0046	Courier Bold	46	49	0	144	240	800	0
GFID0050	Shalom	50	49	0	144	240	400	0
GFID0066	Gothic	66	49	0	144	240	400	0
GFID0068	Gothic	68	49	0	120	240	400	255
GFID0069	Gothic	69	49	0	120	240	800	0
GFID0070	Serif	70	49	0	120	240	400	0
GFID0071	Serif	71	49	0	120	240	400	255
GFID0072	Serif	72	49	0	120	240	800	0
GFID0080	Symbol	80	49	2	120	240	400	0
GFID0084	Script	84	49	0	120	240	400	0
GFID0085	Courier	85	49	0	120	240	400	0
GFID0086	Prestige	86	49	0	120	240	400	0
GFID0087	Letter-Gothic	87	49	0	120	240	400	0
GFID0091	Light	91	49	0	120	240	400	255
GFID0107	Courier	107	49	0	120	240	400	0
GFID0110	Letter-Gothic	110	49	0	120	240	800	0
GFID0111	Prestige	111	49	0	120	240	800	0
GFID0112	Prestige	112	49	0	120	240	400	255
GFID0115	Symbol	115	49	2	120	240	400	0
GFID0155	Boldface	155	18	0	120	240	400	0
GFID0158	Document	158	18	0	120	240	400	0
GFID0159	Boldface	159	18	0	120	240	800	0
GFID0160	Essay	160	34	0	120	240	800	0
GFID0162	Essay	162	34	0	120	240	800	255
GFID0163	Essay	163	34	0	120	240	800	0
GFID0168	Barak	168	18	0	120	240	400	0
GFID0173	Essay	173	34	0	120	240	400	0
GFID0175	Document	175	18	0	120	240	400	0

Table 31. iSeries, eServer i5, or System i5 Font Parameters (continued)

Entry ID	Font Family	GFID	Pitch & Family	Character Set	Width	Height	Weight	Style
GFID0176	Boldface	176	18	0	120	240	800	0
GFID0177	Boldface	177	18	0	120	240	800	255
GFID0193	Symbol	193	49	2	120	240	400	0
GFID0198	Symbol	198	49	2	144	240	400	0
GFID0204	Gothic	204	49	0	108	210	400	0
GFID0221	Prestige	221	49	0	96	210	400	0
GFID0222	Gothic	222	49	0	96	210	400	0
GFID0223	Courier	223	49	0	96	210	400	0
GFID0225	Symbol	225	49	2	96	240	400	0
GFID0229	Serif	229	49	0	96	210	400	0
GFID0230	Gothic	230	49	0	96	210	400	0
GFID0245	Courier Bold	245	49	0	288	240	800	0
GFID0252	Courier	252	49	0	84	240	400	0
GFID0253	Courier Bold	253	49	0	84	240	800	0
GFID0254	Courier	254	49	0	84	120	400	0
GFID0280	APL	280	49	0	72	120	400	0
GFID0281	Gothic	281	49	0	72	120	400	0
GFID0290	Gothic	290	49	0	54	120	400	0
GFID0751	Sonoran-serif	751	18	0	54	162	400	0
GFID1051	Sonoran-serif	1051	18	0	66	198	400	0
GFID1053	Sonoran-serif	1053	18	0	66	198	800	0
GFID1056	Sonoran-serif	1056	18	0	66	198	400	255
GFID1351	Sonoran-serif	1351	18	0	84	240	400	0
GFID1653	Sonoran-serif	1653	18	0	108	312	800	0
GFID2103	Sonoran-serif	2103	18	0	162	480	800	0

Notes:

1. Default GFID from host is 011, we use Courier 10 CPI.
2. A print driver will change the font to its default if you ask for a font name that it does not recognize. Some drivers recognize Gothic, but the DeskJet drivers do not.
3. Most print drivers default to Courier New, instead of Courier. So Courier switched to Courier New works, but Gothic switched to Courier New changes the font family. Preferably, you should explicitly select Courier New.
4. Special fonts like CourHEB and GRCOND869 (for Greek) has required them to be added to PCSPD.DAT to work. Note if the operating system properly or fully supports a language, that font could be the default font instead of Courier New.

Avoiding iSeries System Dump

If you are running OS/400 Version 3 Release 1, and you attempt to perform a Telnet 5250 mode host print operation, you may experience an iSeries system dump under certain conditions. To prevent this from occurring you should apply PTF SF35327 on OS/400.

This table matches the iSeries, eServer i5, or System i5 table of fonts. PC400 builds a PC spool file with the selected font in it. The printer driver picks up the spool file and the font and sends it to the printer where the expected font is used. Refer to *Printer Device Programming* for additional information on other useful tables.

The following factors can produce unexpected results:

- Not all fonts are available on a PC or printer device.

If the font that was selected from the table and incorporated into the spool file cannot be found on a PC or on a printer, the printer driver determines how to present the data on a printer. For example, HP printer drivers have the following order of considerations:

- HP Font Priority Considerations:

1. Symbol Set
2. Spacing
3. Pitch
4. Height
5. Style
6. Stroke Weight
7. Typeface Family
8. Resolution
9. Orientation

- Location: printer ROM, SIMM module ROM, cartridge ROM, printer RAM

Priority of locations:

1. Soft font (lowest ID first)
2. Cartridge Font
3. SIMM Font
4. Internal Font

- 600 dpi has priority over 300 dpi

To avoid this uncertainty, it is recommended that you update the table so that only the fonts that are available in the given environment are used.

- NLS

The iSeries, eServer i5, or System i5 font has NLS characters in it, which are not part of a corresponding PC font. The IBM-supplied table does not support character sets other than ANSI, although it provides a field for them. In this case, PC400 builds a PC spool file with a font that doesn't recognize NLS.

To fix the problem, it is recommended that you either change the font names in the table to the NLS enabled on a PC/printer, or if the font has the same name as the one in the table, update a Character Set value.

- After you decide to scale a printout which may be a result of CORig or BesFitting, you usually decrease the distance horizontally as well as vertically between characters. This can result in overlapping. PC400 attempts to adjust the given character size to a new one. A problem may occur when a font defined in the table is not a scalable font. Like GFID011, the most heavily used iSeries, eServer i5, or System i5 font is mapped to Courier. Courier is a non-scalable font

which has only a limited number of character box sizes. To avoid possible problems it is recommended that you use Courier New instead, which is a scalable TTF font.

PFT Migration Utility

The PFT migration utility converts the printer function table (PFT) for the PC Support/400 workstation feature to a printer definition file (PDF) for PC400.

This section describes the operator interface of the PFT migration utility.

For details about PFT, refer to *AS/400 PC Support: DOS and OS/2 Technical Reference*.

Using the PFT Migration Utility

The file name of the PFT Migration Utility program is PCSRFC.EXE. It is a Windows application, and you can execute it by doing the following:

1. Double-click the program name using the Windows Explorer utility.
2. Specify the program name (and parameters) in the Windows Run utility as follows:

```
PCSRFC [ [drive:] [path] PFT-file-name[.extension] ]
```

If no parameter is specified, PCSRFC.EXE displays the Convert PFT to PDF dialog box.

If you omit a drive name and a directory name, PCSRFC.EXE uses the current drive and the current directory. If you omit an extension, PCSRFC.EXE adds .PFT to the PFT file name.

3. When you execute the PFT Migration Utility, the Convert PFT to PDF dialog box appears. On the Convert PFT to PDF dialog box, select a PFT file from the list box or type a specific PFT file name, and click **OK**. The PFT Migration Utility starts the conversion and displays the PFT File Converter dialog box to show the conversion status.

After the conversion, if you click **Save List** on the PFT File Converter dialog box, conversion messages in the dialog box are saved into a list file. The list file is created in the same directory and with the same name as the PFT file, except the extension. The extension of the list file is .LS2.

If the conversion was completed successfully, you can click **Convert PDF to PDT** from the PFT File Converter dialog box to convert the PDF file to a PDT file. You can also create a PDT file by selecting **Printer Setup** from the File pull-down menu as explained in "Using the Printer Definition Table (PDT) File" on page 173.

Migration Considerations

When the base PDF file already exists, the converted PDF fields are appended to the end of the base PDF file. The name of the base PDF file is decided as follows:

Table 32. PDF File Name

PFT File Name	Base PDF File Name
xxxxxxx.PFT	xxxxxxx.PDF
xxxxx.MNL	MNLxxxxx.PDF
zzzxxxxx.MNL*	zzzxxxxx.PDF*
: * "zzz" is not "IBM".	

Even if the same fields are already defined in the PDF file, the appended fields are effective because the last definition is always effective in a PDF file.

If the base PDF file does not exist in the directory, the PFT Migration Utility creates a new PDF file that has only the converted fields from the PFT file. In this case, you should append this file to an appropriate base file manually, because the fields converted from the PFT file do not cover all of the necessary PDF fields.

Therefore, it is recommended that you prepare both the PFT file and its base PDF file in the same directory before the conversion.

Details of Migration

This section describes how the PFT Migration Utility migrates the printer function table (PFT) to the printer definition file (PDF).

Migration from the Printer Function Table

The following table shows the target fields of the PDF for the data in the PFT.

Table 33. Migration from the Printer Function Table to the Printer Definition File

PFT Field Name	PDF Field Name
PFT Field Name	Description
INITIALIZATION AND RESET	
Initialization	
Initialization	START_JOB= When the data is defined in the Initialization field of PFT, the data is appended to the string START_JOB=.
Filename	
Filename	None This field is ignored.
Reset	
Reset	END_JOB= When the data is defined in the Reset field of PFT, the data is appended to the string END_JOB=.
VERTICAL LINE SPACING	
6 lines per inch	
6 lines per inch	SET_6_LINES_PER_INCH= When the data is defined in the 6 lines per inch field of PFT, the data is appended to the string SET_6_LINES_PER_INCH=.
8 lines per inch	
8 lines per inch	SET_8_LINES_PER_INCH= When the data is defined in the 8 lines per inch field of PFT, the data is appended to the string SET_8_LINES_PER_INCH=.
Variable line spacing	
Control Sequence	SET_VARIABLE_DENSITY= When the data is defined in the control sequence field of the PFT for the variable line spacing, the data is appended to the string SET_VARIABLE_DENSITY=. The parameter n in the control sequence is replaced with the PDF parameter type.

Table 33. Migration from the Printer Function Table to the Printer Definition File (continued)

PFT Field Name	PDF Field Name
	Description
Maximum	None
	This field is ignored.
Offset	None
	This field is ignored.
X/Y	LINE_SPACING_RATIO=
	When the data is defined in the X/Y field of the PFT for the variable line spacing, the value Y/X is appended to the string LINE_SPACING_RATIO= as three-digit or four-digit numbers to indicate the decimal number. For example, when Y/X is 72, the 072 is appended to the string LINE_SPACING_RATIO= and LINE_SPACING_RATIO=072 is written to the output file. When the value is greater than 255, the four-digit number is migrated. When the value is less than 255, the three-digit number is migrated.
Indexing Functions	
Begin Superscript	START_SUPERSCRIPT=
	When the data is defined in the Begin Superscript field and End Superscript field of the PFT for the indexing functions, the data is appended to the string START_SUPERSCRIPT=. If the data for the End Superscript is not defined, the data for the Begin Superscript is ignored.
End Superscript	END_SUPERSCRIPT=
	When the data is defined in the End Superscript field and Begin Superscript field of the PFT for the indexing functions, the data is appended to the string END_SUPERSCRIPT=. If the data for the Begin Superscript is not defined, the data for the End Superscript is ignored.
Begin Subscript	START_SUBSCRIPT=
	When the data is defined in the Begin Subscript field and End Subscript field of the PFT for the indexing functions, the data is appended to the string START_SUBSCRIPT=. If the data for the End Subscript is not defined, the data for the Begin Subscript is ignored.
End Subscript	END_SUBSCRIPT=
	When the data is defined in the End Subscript field and Begin Subscript field of the PFT for the indexing functions, the data is appended to the string END_SUBSCRIPT=. If the data for the Begin Subscript is not defined, the data for the End Subscript is ignored.

Table 33. Migration from the Printer Function Table to the Printer Definition File (continued)

	PDF Field Name
PFT Field Name	Description
Reverse 1/2 Index	START_SUPERSCRIPT= END_SUBSCRIPT=
	<p>The data is appended to the START_SUPERSCRIPT= for all of the following conditions:</p> <ul style="list-style-type: none"> • When the data is not defined in the Begin Superscript field in the PFT or when the data is not defined in the End Superscript field in the PFT. • When the data is defined in the Reverse 1/2 index and Forward 1/2 index field in the PFT. <p>The data is appended to END_SUBSCRIPT= for all of the following conditions:</p> <ul style="list-style-type: none"> • When the data is not defined in the Begin Subscript field in the PFT or when the data is not defined in the End Subscript field in the PFT. • When the data is defined in the Reverse 1/2 index and Forward 1/2 index field in the PFT.
Forward 1/2 Index	END_SUPERSCRIPT= START_SUBSCRIPT=
	<p>The data is appended to END_SUPERSCRIPT= for all of the following conditions:</p> <ul style="list-style-type: none"> • When the data is not defined in Begin Superscript field in the PFT or when the data is not defined in End Superscript field in the PFT. • When the data is defined in the Reverse 1/2 index and Forward 1/2 index field in the PFT. <p>The data is appended to START_SUBSCRIPT= for all of the following conditions:</p> <ul style="list-style-type: none"> • When the data is not defined in the Begin Subscript field in the PFT or when the data is not defined in the End Subscript field in the PFT. • When the data is defined in the Reverse 1/2 index and Forward 1/2 index field in the PFT.
Reverse Index	None
	This field is ignored.
HORIZONTAL LINE SPACING	
5 pitch	
5 pitch	None
	This field is ignored.
8.55 pitch	
8.55 pitch	None
	This field is ignored.
10 pitch	
10 pitch	SET_10_CHARACTERS_PER_INCH=
	When the data is defined in the 10 pitch field of the PFT for the horizontal character spacing, the data is appended to the string SET_10_CHARACTERS_PER_INCH=.
12 pitch	

Table 33. Migration from the Printer Function Table to the Printer Definition File (continued)

PFT Field Name	PDF Field Name
	Description
12 pitch	SET_12_CHARACTERS_PER_INCH=
	When the data is defined in the 12 pitch field of the PFT for the horizontal character spacing, the data is appended to the string SET_12_CHARACTERS_PER_INCH=.
15 pitch	
15 pitch	SET_15_CHARACTERS_PER_INCH=
	When the data is defined in the 15 pitch field of the PFT for the horizontal character spacing, the data is appended to the string SET_15_CHARACTERS_PER_INCH=.
17.1 pitch	
17.1 pitch	SET_17_CHARACTERS_PER_INCH=
	When the data is defined in the 17.1 pitch field of the PFT for the horizontal character spacing, the data is appended to the string SET_17_CHARACTERS_PER_INCH=.
Horizontal Motion Index	
Control Sequence	None
	This field is ignored.
Maximum	None
	This field is ignored.
Offset	None
	This field is ignored.
X/Y	None
	This field is ignored.
HORIZONTAL RELATIVE MOVEMENT	
Forward Relative Movement	
Control Sequence	FORWARD_HORIZONTAL_SKIP=
	When the data is defined in the Forward Relative Movement field of PFT, the data is appended to the string FORWARD_HORIZONTAL_SKIP=. The parameter n in the control sequence is replaced with the PDF parameter type.
Maximum	None
	This field is ignored.
Offset	None
	This field is ignored.
X/Y	HORIZONTAL_PEL=
	When the data is defined in the X/Y field of the PFT for the forward relative movement, the value Y/X is appended to the string HORIZONTAL_PEL= as three-digit or four-digit number to indicate the decimal number. For example, when Y/X is 120, 120 is appended to the string HORIZONTAL_PEL= and HORIZONTAL_PEL=120 is written to the output file. When the value is greater than 255, the four-digit number is migrated. When the value is less than 255, the three-digit number is migrated.
Backward Relative Movement	

Table 33. Migration from the Printer Function Table to the Printer Definition File (continued)

PFT Field Name	PDF Field Name
	Description
Control Sequence	None
	This field is ignored.
Maximum	None
	This field is ignored.
Offset	None
	This field is ignored.
X/Y	None
	This field is ignored.
HIGHLIGHTING	
Begin Emphasis	
Begin Emphasis	START_HIGHLIGHT_INTENSE=
	When the data is defined in the Begin Emphasis of PFT, the data is appended to the string START_HIGHLIGHT_INTENSE=.
End Emphasis	
End Emphasis	END_HIGHLIGHT_INTENSE=
	When the data is defined in the End Emphasis of PFT, the data is appended to the string END_HIGHLIGHT_INTENSE=.
Begin Underline	
Begin Underline	START_HIGHLIGHT_UNDERLINE=
	When the data is defined in the Begin Underline of PFT, the data is appended to the string START_HIGHLIGHT_UNDERLINE=.
End Underline	
End Underline	END_HIGHLIGHT_UNDERLINE=
	When the data is defined in the End Underline of PFT, the data is appended to the string END_HIGHLIGHT_UNDERLINE=.
Begin Quality Print	
Begin Quality Print	None
	This field is ignored.
End Quality Print	
End Quality Print	None
	This field is ignored.
PAPER HANDLING	
Bottom Tray Feed	

Table 33. Migration from the Printer Function Table to the Printer Definition File (continued)

	PDF Field Name
PFT Field Name	Description
Bottom Tray Feed	<p>SELECT_DRAWER2=</p> <p>If the data is defined in some fields for LANDSCAPE PAPER HANDLING, the PFT Migration Utility assumes that this control sequence includes the control of the portrait orientation. For this, the PFT Migration Utility divides this control sequence into two parts and migrates the control sequence for the drawer select and paper feed. The control sequence of the portrait orientation is migrated to SET_PORTRAIT_ORIENT=. If no data is defined in any fields for LANDSCAPE PAPER HANDLING, the PFT Migration Utility migrates this control sequence to the SELECT_DRAWER2=. (See "Definition of PAPER HANDLING Migration" on page 232.)</p>
Top Tray Feed	
Top Tray Feed	<p>SELECT_DRAWER1=</p> <p>If the data is defined in some fields for LANDSCAPE PAPER HANDLING, the PFT Migration Utility assumes that this control sequence includes the control of the portrait orientation. For this, the PFT Migration Utility divides this control sequence into two parts and migrates the control sequence for the drawer select and paper feed. The control sequence of the portrait orientation is migrated to SET_PORTRAIT_ORIENT=. If no data is defined in any fields for LANDSCAPE PAPER HANDLING, the PFT Migration Utility migrates this control sequence to SELECT_DRAWER1=. (See "Definition of PAPER HANDLING Migration" on page 232.)</p>
Envelope Feed	
Envelope Feed	<p>SELECT_ENVELOPE=</p> <p>If the data is defined in some fields for LANDSCAPE PAPER HANDLING, the PFT Migration Utility assumes that this control sequence includes the control of the portrait orientation. For this, the PFT Migration Utility divides this control sequence into two parts and migrates the control sequence for the drawer select and paper feed. The control sequence of the portrait orientation is migrated to SET_PORTRAIT_ORIENT=. If no data is defined in any fields for LANDSCAPE PAPER HANDLING, the PFT Migration Utility migrates this control sequence to SELECT_ENVELOPE=. (See "Definition of PAPER HANDLING Migration" on page 232.)</p>
Manual Feed	
Manual Feed	<p>SELECT_DRAWER3=</p> <p>If the data is defined in some fields for LANDSCAPE PAPER HANDLING, the PFT Migration Utility assumes that this control sequence includes the control of the portrait orientation. For this, the PFT Migration Utility divides this control sequence into two parts and migrates the control sequence for the drawer select and paper feed. The control sequence of the portrait orientation is migrated to SET_PORTRAIT_ORIENT=. If no data is defined in any fields for LANDSCAPE PAPER HANDLING, the PFT Migration Utility migrates this control sequence to SELECT_DRAWER3=. (See "Definition of PAPER HANDLING Migration" on page 232.)</p>

Table 33. Migration from the Printer Function Table to the Printer Definition File (continued)

PFT Field Name	PDF Field Name
	Description
Continuous Feed	
Continuous Feed	None
	This field is ignored.
Ignore Paper End Sensor	
Ignore Paper End Sensor	None
	This field is ignored.
Enable Paper End Sensor	
Enable Paper End Sensor	None
	This field is ignored.
Eject Automatic Cut Sheet	
Eject automatic Cut Sheet	None
	This field is ignored.
Eject Manual Cut Sheet	
Eject Manual Cut Sheet	None
	This field is ignored.
Collate	
Collate	None
	This field is ignored.
PAPER POSITIONING	
Continuous Forms	
Dist. from Top Paper Edge	None
	This field is ignored.
Dist. from Left Paper Edge	None
	This field is ignored.
Location of First Print Column	None
	This field is ignored.
Manual Feed	
Dist. from Top Paper Edge	None
	This field is ignored.
Dist. from Left Paper Edge	None
	This field is ignored.
Location of First Print Column	None
	This field is ignored.
Automatic Feed	
Dist. from Top Paper Edge	None
	This field is ignored.
Dist. from Left Paper Edge	None
	This field is ignored.

Table 33. Migration from the Printer Function Table to the Printer Definition File (continued)

PFT Field Name	PDF Field Name
	Description
Location of First Print Column	None
	This field is ignored.
SET PAGE LENGTH (INCHES)	
Control Sequence	PAGE_LENGTH_TYPE?=INCH SET_PAGE_LENGTH=
	When the data is defined in the control sequence for SET PAGE LENGTH (INCHES) and if any of the data is not defined in the control sequence for SET PAGE LENGTH (LINES), this field is migrated.
Maximum	None
	This field is ignored.
Offset	None
	This field is ignored.
X/Y	None
	This field is ignored.
Top Margin Size	None
	This field is ignored.
Bottom Margin Size	None
	This field is ignored.
SET PAGE LENGTH (LINES)	
Control Sequence	PAGE_LENGTH_TYPE?=LINE SET_PAGE_LENGTH=
	When the length is defined in the control sequence for SET PAGE LENGTH (LINES), this field is migrated.
Maximum	None
	This field is ignored.
Offset	None
	This field is ignored.
X/Y	None
	This field is ignored.
Top Margin Size	None
	This field is ignored.
Bottom Margin Size	None
	This field is ignored.
SET LEFT MARGIN (INCHES)	
Control Sequence	None
	This field is ignored.
Maximum	None
	This field is ignored.
Offset	None
	This field is ignored.

Table 33. Migration from the Printer Function Table to the Printer Definition File (continued)

PFT Field Name	PDF Field Name
	Description
X/Y	None
	This field is ignored.
SET LEFT MARGIN (COLUMNS)	
Control Sequence	SET_HORIZONTAL_MARGIN=
	When the data is defined in the control sequence field for SET LEFT MARGIN (COLUMNS), this field is migrated.
Maximum	None
	This field is ignored.
Offset	None
	This field is ignored.
CARRIER RETURN/LINE FEED	
Continuous Forms	
Carrier Return (Continuous Forms)	CARRIAGE_RETURN=
	<p>This field is migrated for the following cases:</p> <ul style="list-style-type: none"> • Case 1 <ul style="list-style-type: none"> - The data is defined in the Carrier Return field for the Continuous Forms. - Any of the data in the Carrier Return field is not defined for the Manual Feed and Automatic Feed. • Case 2 <ul style="list-style-type: none"> - The data is defined in the Carrier Return field for the Continuous Forms. - The same data is defined in the Carrier Return field for the Manual Feed. - Any of the data in the Carrier Return field is not defined for the Automatic Feed. • Case 3 <ul style="list-style-type: none"> - The data is defined in the Carrier Return field for the Continuous Forms. - The same data is defined in the Carrier Return field for the Automatic Feed. - Any of the data in the Carrier Return field is not defined for the Manual Feed. • Case 4 <ul style="list-style-type: none"> - The data is defined in the Carrier Return field for the Continuous Forms. - The same data is defined in the Carrier Return field for the Automatic Feed and Manual Feed.

Table 33. Migration from the Printer Function Table to the Printer Definition File (continued)

	PDF Field Name
PFT Field Name	Description
Line Feed (Continuous Forms)	<p>LINE_FEED=</p> <p>This field is migrated for the following cases:</p> <ul style="list-style-type: none"> • Case 1 <ul style="list-style-type: none"> – The data is defined in the Line Feed field for the Continuous Forms. – Any of the data in the Line Feed Line field is not defined for the Manual Feed and Automatic Feed. • Case 2 <ul style="list-style-type: none"> – The data is defined in the Line Feed field for the Continuous Forms. – The same data is defined in the Line Feed field for the Manual Feed. – Any data is not defined in the Line Feed field for the Automatic Feed. • Case 3 <ul style="list-style-type: none"> – The data is defined in the Line Feed field for the Continuous Forms. – The same data is defined in the Line Feed field for the Automatic Feed. – Any data is not defined in the Line Feed field for the Manual Feed. • Case 4 <ul style="list-style-type: none"> – The data is defined in the Line Feed field for the Continuous Forms. – The same data is defined in the Line Feed field for the Automatic Feed and Manual Feed.
	Manual Feed

Table 33. Migration from the Printer Function Table to the Printer Definition File (continued)

	PDF Field Name
PFT Field Name	Description
Carrier Return (Manual Feed)	<p>CARRIAGE_RETURN=</p> <p>This field is migrated for the following cases:</p> <ul style="list-style-type: none"> • Case 1 <ul style="list-style-type: none"> – The data is defined in the Line Feed field for the Manual Feed. – Any of the data in the Line Feed Line field is not defined for the Continuous Forms and Automatic Feed. • Case 2 <ul style="list-style-type: none"> – The data is defined in the Line Feed field for the Manual Feed. – The same data is defined in the Line Feed field for the Continuous Forms. – Any data is not defined in the Line Feed field for the Automatic Feed. • Case 3 <ul style="list-style-type: none"> – The data is defined in the Line Feed field for the Manual Feed. – The same data is defined in the Line Feed field for the Automatic Feed. – Any data is not defined in the Line Feed field for the Continuous Forms. • Case 4 <ul style="list-style-type: none"> – The data is defined in the Line Feed field for the Manual Feed. – The same data is defined in the Line Feed field for the Automatic Feed and Continuous Forms.
Line Feed (Manual Feed)	<p>LINE_FEED=</p> <p>This field is migrated for the following cases:</p> <ul style="list-style-type: none"> • Case 1 <ul style="list-style-type: none"> – The data is defined in the Line Feed field for the Manual Feed. – Any of the data in the Line Feed Line field is not defined for the Continuous Forms and Automatic Feed. • Case 2 <ul style="list-style-type: none"> – The data is defined in the Line Feed field for the Manual Feed. – The same data is defined in the Line Feed field for the Continuous Forms. – Any data is not defined in the Line Feed field for the Automatic Feed. • Case 3 <ul style="list-style-type: none"> – The data is defined in the Line Feed field for the Manual Feed. – The same data is defined in the Line Feed field for the Automatic Feed. – Any data is not defined in the Line Feed field for the Continuous Forms. • Case 4 <ul style="list-style-type: none"> – The data is defined in the Line Feed field for the Manual Feed. – The same data is defined in the Line Feed field for the Automatic Feed and Continuous Forms.

Table 33. Migration from the Printer Function Table to the Printer Definition File (continued)

	PDF Field Name
PFT Field Name	Description
Automatic Feed	
Carrier Return (Automatic Feed)	<p>CARRIAGE_RETURN=</p> <p>This field is migrated for the following cases:</p> <ul style="list-style-type: none"> • Case 1 <ul style="list-style-type: none"> – The data is defined in the Carrier Return field for the Automatic Feed. – Any of the data in the Carrier Return field is not defined for the Continuous Feed and Manual Feed. • Case 2 <ul style="list-style-type: none"> – The data is defined in the Carrier Return field for the Automatic Feed. – The same data is defined in the Carrier Return field for the Continuous Forms. – Any of the data in the Carrier Return field is not defined for the Manual Feed. • Case 3 <ul style="list-style-type: none"> – The data is defined in the Carrier Return field for the Automatic Feed. – The same data is defined in the Carrier Return field for the Manual Feed. – Any of the data in the Carrier Return field is not defined for the Continuous Forms. • Case 4 <ul style="list-style-type: none"> – The data is defined in the Carrier Return field for the Automatic Feed. – The same data is defined in the Carrier Return field for the Manual Feed and Continuous Forms.

Table 33. Migration from the Printer Function Table to the Printer Definition File (continued)

PFT Field Name	PDF Field Name
	Description
Line Feed (Automatic Feed)	LINE_FEED=
	<p>This field is migrated for the following cases:</p> <ul style="list-style-type: none"> • Case 1 <ul style="list-style-type: none"> – The data is defined in the Line Feed field for the Automatic Feed. – Any of the data in the Line Feed Line field is not defined for the Continuous Forms and Manual Feed. • Case 2 <ul style="list-style-type: none"> – The data is defined in the Line Feed field for the Automatic Feed. – The same data is defined in the Line Feed field for the Continuous Forms. – Any data is not defined in the Line Feed field for the Manual Feed. • Case 3 <ul style="list-style-type: none"> – The data is defined in the Line Feed field for the Automatic Feed. – The same data is defined in the Line Feed field for the Manual Feed. – Any data is not defined in the Line Feed field for the Continuous Forms. • Case 4 <ul style="list-style-type: none"> – When the data is defined in the Line Feed field for the Automatic Feed. – The same data is defined in the Line Feed field for the Manual Feed and Continuous Forms.
MULTIPLE COPIES	
Print without Clearing Page from	
Top Tray	None
	This field is ignored.
Bottom Tray	None
	This field is ignored.
Envelope Tray	None
	This field is ignored.
Manual Tray	None
	This field is ignored.
Clear Page Buffer	None
	This field is ignored.
Multiple Copies Variable Control	
Control Sequence	None
	This field is ignored.
Maximum	None
	This field is ignored.
Offset	None
	This field is ignored.

Table 33. Migration from the Printer Function Table to the Printer Definition File (continued)

	PDF Field Name
PFT Field Name	Description
LANDSCAPE PAPER HANDLING	
Bottom Tray Feed	
Bottom Tray Feed	SET_LANDSCAPELEFT_ORIENT= If the data is defined in some fields for LANDSCAPE PAPER HANDLING, the PFT Migration Utility assumes that this control sequence includes the control sequence for the landscape orientation. For this, the PFT Migration Utility divides the control sequence into two parts. The control sequence for the drawer select and paper feed is ignored because this control sequence is migrated when the data for PAPER HANDLING is processed. The control sequence for landscape orientation is migrated to SET_LANDSCAPE_ORIENT=. (See "Definition of PAPER HANDLING Migration" on page 232.)
Top Tray Feed	
Top Tray Feed	SET_LANDSCAPELEFT_ORIENT= If the data is defined in some fields for LANDSCAPE PAPER HANDLING, the PFT Migration Utility assumes that this control sequence includes the control sequence for the landscape orientation. For this, the PFT Migration Utility divides the control sequence into two parts. The control sequence for the drawer select and paper feed is ignored because this control sequence is migrated when the data for PAPER HANDLING is processed. The control sequence for landscape orientation is migrated to SET_LANDSCAPE_ORIENT=. (See "Definition of PAPER HANDLING Migration" on page 232.)
Envelope Feed	
Envelope Feed	SET_LANDSCAPELEFT_ORIENT= If the data is defined in some fields for LANDSCAPE PAPER HANDLING, the PFT Migration Utility assumes that this control sequence includes the control sequence for the landscape orientation. For this, the PFT Migration Utility divides the control sequence into two parts. The control sequence for the drawer select and paper feed is ignored because this control sequence is migrated when the data for PAPER HANDLING is processed. The control sequence for landscape orientation is migrated to SET_LANDSCAPE_ORIENT=. (See "Definition of PAPER HANDLING Migration" on page 232.)
Manual Feed	
Manual Feed	SET_LANDSCAPELEFT_ORIENT= If the data is defined in some fields for LANDSCAPE PAPER HANDLING, the PFT Migration Utility assumes that this control sequence includes the control sequence for the landscape orientation. For this, the PFT Migration Utility divides the control sequence into two parts. The control sequence for the drawer select and paper feed is ignored because this control sequence is migrated when the data for PAPER HANDLING is processed. The control sequence for landscape orientation is migrated to SET_LANDSCAPE_ORIENT=. (See "Definition of PAPER HANDLING Migration" on page 232.)
TYPESTYLE DEFINITION	

Table 33. Migration from the Printer Function Table to the Printer Definition File (continued)

PFT Field Name	PDF Field Name
	Description
Default Typestyle Definition	
PC Character Set	None
	This field is ignored.
Initial Control Sequence	None
	This field is ignored.
Ending Control Sequence	None
	This field is ignored.
Individual Typestyle Definition	
Typestyle number	SET_GFID_
	This number is appended as a four-digit number after the string SET_GFID_. For example, when the typestyle number 9 is defined, 0009 is appended after the string SET_GFID_ and SET_GFID_0009= is migrated. And the numbers supported by PC400 are migrated. The numbers not supported by PC400 are ignored.
PC Character Set	None
	This field is ignored.
Initial Control Sequence	SET_GFID_XXXX=
	This control sequence is appended after the string SET_GFID_XXXX=, where XXXX is the four-digit number defined in the typestyle number field.
Ending Control Sequence	None
	This field is ignored.
Characters	None
	This field is ignored.
Initial Control Sequence	None
	This field is ignored.
Ending Control Sequence	None
	This field is ignored.
Symbols	None
	This field is ignored.
Initial Control Sequence	None
	This field is ignored.
Ending Control Sequence	None
	This field is ignored.
Group Typestyle Definition	
Group Identifier	None
	This field is ignored.
Group Identifier Comment	None
	This field is ignored.

Table 33. Migration from the Printer Function Table to the Printer Definition File (continued)

PFT Field Name	PDF Field Name
	Description
Typestyle number	SET_GFID_
	This number is appended as a four-digit number after the string SET_GFID_. For example, when the typestyle numbers 1, 2, 3, and 4 are defined, 0001 , 0002 , 0003 , and 0004 are appended after the string SET_GFID_ and SET_GFID_0001=, SET_GFID_0002=, SET_GFID_0003=, and SET_GFID_0004= are migrated because the PC400 does not have the group typestyle definition. The typestyle numbers that are not supported by the PC400 are not migrated.
PC Character Set	None
	This field is ignored.
Initial Control Sequence	SET_GFID_XXXX=
	This control sequence is appended after the string SET_GFID_XXXX=, where XXXX is the four-digit number defined in the typestyle number field.
Ending Control Sequence	None
	This field is ignored.
Characters	None
	This field is ignored.
Initial Control Sequence	None
	This field is ignored.
Ending Control Sequence	None
	This field is ignored.
Symbols	None
	This field is ignored.
Initial Control Sequence	None
	This field is ignored.
Ending Control Sequence	None
	This field is ignored.
Character Set Number	
Character Set Number	None
	This field is ignored.
SLOT SELECTION	
Slot 1 Sequence	
Slot 1 Sequence	None
	This field is ignored.
Slot 2 Sequence	
Slot 2 Sequence	None
	This field is ignored.
Slot 3 Sequence	
Slot 3 Sequence	None
	This field is ignored.

Table 33. Migration from the Printer Function Table to the Printer Definition File (continued)

PFT Field Name	PDF Field Name
	Description
Stop Sequence	
Stop Sequence	None
	This field is ignored.
USER DEFINED CONTROL	
Parameters of SET ENVELOP SIZE Command	
Control Number: 984	None
	This field is ignored.
Control Sequence	None
	This field is ignored.
Control Sequence File Name	None
	This field is ignored.
ESC Sequence of SET ENVELOP SIZE Command	
Control Number: 985	None
	This field is ignored.
Control Sequence	None
	This field is ignored.
Control Sequence File Name	None
	This field is ignored.
Parameters of SET PAGE SIZE Command	
Control Number: 986	None
	This field is ignored.
Control Sequence	None
	This field is ignored.
Control Sequence File Name	None
	This field is ignored.
ESC Sequence of SET PAGE SIZE Command	
Control Number: 987	None
	This field is ignored.
Control Sequence	None
	This field is ignored.
Control Sequence File Name	None
	This field is ignored.
Printer Data Stream	
Control Number: 988	None
	This field is ignored.

Table 33. Migration from the Printer Function Table to the Printer Definition File (continued)

PFT Field Name	PDF Field Name
	Description
Control Sequence	SET_FONT_GLOBAL=1B 5B 49 word-value(LH) word-value(HL) word-value(HL) byte-value word-value(HL)
	When 04 is defined in this field, SET_FONT_GLOBAL=1B 5B 49 ... word-value(HL) is migrated. When the other value is defined, this field is ignored. 04 means IBM Personal Printer Data Stream Level 2 or higher. When the migration is done for PAPER HANDLING, use this information. (See "Definition of PAPER HANDLING Migration" on page 232.)
Control Sequence File Name	None
	This field is ignored.
Duplex long edge	
Control Number: 989	None
	This field is ignored.
Control Sequence	SET_DUPLEX=
	When the data is defined in the control sequence for the duplex long edge, the data is appended to the string SET_DUPLEX=.
Control Sequence File Name	None
	This field is ignored.
Duplex short edge	
Control Number: 990	None
	This field is ignored.
Control Sequence	SET_DUPLEX_TUMBLE=
	When the data is defined in the control sequence for the duplex short edge, the data is appended to the string SET_DUPLEX_TUMBLE=.
Control Sequence File Name	None
	This field is ignored.
Simplex	
Control Number: 991	None
	This field is ignored.
Control Sequence	RESET_DUPLEX=
	When the data is defined in the control sequence for the simplex, the data is appended to the string RESET_DUPLEX=.
Control Sequence File Name	None
	This field is ignored.
Jog the output tray	
Control Number: 992	None
	This field is ignored.
Control Sequence	None
	This field is ignored.
Control Sequence File Name	None
	This field is ignored.

Table 33. Migration from the Printer Function Table to the Printer Definition File (continued)

PFT Field Name	PDF Field Name
	Description
Normal portrait orientation	
Control Number: 993	None
	This field is ignored.
Control Sequence	SET_PORTRAIT_ORIENT=
	When the data is defined in the control field for the normal portrait orientation, the data is appended to the string SET_PORTRAIT_ORIENT=.
Control Sequence File Name	None
	This field is ignored.
Landscape left	
Control Number: 994	None
	This field is ignored.
Control Sequence	SET_LANDSCAPELEFT_ORIENT=
	When the data is defined in the control field for the landscape left, the data is appended to the string SET_LANDSCAPELEFT_ORIENT=.
Control Sequence File Name	None
	This field is ignored.
Portrait upside down orientation	
Control Number: 995	None
	This field is ignored.
Control Sequence	SET_PORTRAITUPDOWN_ORIENT=
	When the data is defined in the control field for the portrait upside down orientation, the data is appended to the string SET_PORTRAITUPDOWN_ORIENT=.
Control Sequence File Name	None
	This field is ignored.
Landscape right	
Control Number: 996	None
	This field is ignored.
Control Sequence	SET_LANDSCAPERGHT_ORIENT=
	When the data is defined in the control field for the landscape right, the data is appended to the string SET_LANDSCAPERGHT_ORIENT=.
Control Sequence File Name	None
	This field is ignored.
COR in 10 pitch	
Control Number: 997	None
	This field is ignored.
Control Sequence	None
	This field is ignored.

Table 33. Migration from the Printer Function Table to the Printer Definition File (continued)

PFT Field Name	PDF Field Name
	Description
Control Sequence File Name	None
	This field is ignored.
COR in 12 pitch	
Control Number: 998	None
	This field is ignored.
Control Sequence	None
	This field is ignored.
Control Sequence File Name	None
	This field is ignored.
COR in 15 pitch	
Control Number: 999	None
	This field is ignored.
Control Sequence	None
	This field is ignored.
Control Sequence File Name	None
	This field is ignored.
FUNCTION SELECTION TEST RESPONSES	
Superscript /Subscript	None
	This data is ignored.
Underline	None
	This data is ignored.
Emphasis (Bold)	None
	This data is ignored.
Form Feed	None
	This data is ignored.
Back Space	BACKSPACE=
	This field is migrated when you type YES or NO in response to the prompt during the Backspace Function Selection Test.
Mid-line pitch change	None
	This data is ignored.
Horizontal Character spacing	None
	This data is ignored.
First character position	None
	This data is ignored.
PSM	None
	This data is ignored.
Cursor Draw	None
	This data is ignored.

Note: When you migrate IBM3812.PFT and IBM3812.MNL, the following fields are added to IBM3812.PDF:

- FORWARD_VERTICAL_STEP_FEED=1B 5B 43 03 00 E3 word-value(LH)
- VERTICAL_PEL=240

Definition of PAPER HANDLING Migration

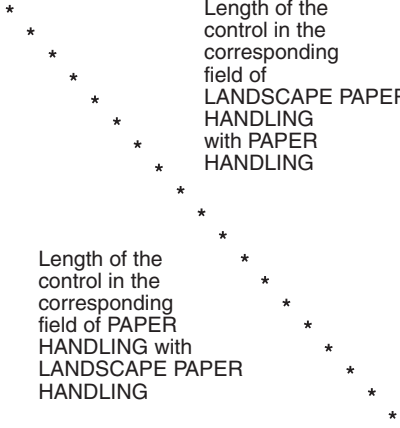
The PFT Migration Utility migrates the data for PAPER HANDLING and LANDSCAPE PAPER HANDLING as follows:

1. The PFT Migration Utility checks whether the LANDSCAPE PAPER HANDLING controls are defined.
2. If the LANDSCAPE PAPER HANDLING controls are defined, the PFT Migration Utility assumes that the PAPER HANDLING control sequences include controls to set the page orientation to portrait. Each LANDSCAPE PAPER HANDLING control sequence has the controls to set the page orientation to landscape in addition to the tray select and feed controls.
3. If the LANDSCAPE PAPER HANDLING controls are not defined, the PAPER HANDLING controls do not have the controls to set the page orientation to portrait. If a personal printer supports normal portrait, landscape left, portrait upside down, and landscape right orientation, the page orientation controls are defined in the appropriate user-defined controls.

If the LANDSCAPE PAPER HANDLING controls are not defined: When the PAPER HANDLING controls are not defined, the controls are migrated as follows:

PFT Fields	PDF Fields
Bottom Tray Select & Feed	→ SELECT_DRAWER2=
Top Tray Select & Feed	→ SELECT_DRAWER1=
Envelope Tray Select & Feed	→ SELECT_ENVELOPE=
Manual Select & Feed	→ SELECT_DRAWER3=

If the LANDSCAPE PAPER HANDLING controls are defined: When the PAPER HANDLING controls are defined, these controls have the controls to set the page orientation to portrait. The LANDSCAPE PAPER HANDLING controls have the controls to set the page orientation to landscape. The PFT Migration Utility migrates the controls as follows:

	(Length1) ==0	(Length1) > 0
(Length2) ==0	CASE 1	CASE 2
(Length2) > 0	CASE 3	Length1 != Length2 CASE 4 <hr/> Length1 == Length2 CASE 5

- **CASE 1**

Since both of the fields are not defined, no data is migrated.

Example: No data is migrated to SELECT_DRAWER2= under the following conditions. For this example, SELECT_DRAWER2= is not written in the output file.

- No data is defined in the bottom tray select and feed for PAPER HANDLING.
- No data is defined in the bottom tray select and feed for LANDSCAPE PAPER HANDLING.

- **CASE 2**

Since no data is defined in the field for PAPER HANDLING, the PFT Migration Utility cannot compare the data in the corresponding field with the data for LANDSCAPE PAPER HANDLING. The data for LANDSCAPE PAPER HANDLING is migrated to the drawer selection field of PDF regardless, including control of the landscape orientation.

Example: The control of the top tray select and feed for LANDSCAPE PAPER HANDLING is migrated to SELECT_DRAWER1= under the following conditions.

- No data is defined in the top tray select and feed for PAPER HANDLING.
- The control is defined in the top tray select and feed for LANDSCAPE PAPER HANDLING.

- **CASE 3**

Since no data is defined in the field for LANDSCAPE PAPER HANDLING, the PFT Migration Utility cannot compare the data in the corresponding field with

the data for PAPER HANDLING. The data for PAPER HANDLING is migrated to the drawer selection field of PDF regardless, including the control of the portrait orientation.

Example: The control of the manual select and feed for PAPER HANDLING is migrated to SELECT_DRAWER3= under the following conditions.

- The control is defined in the manual select and feed for PAPER HANDLING.
- No data is defined in the top tray select and feed for LANDSCAPE PAPER HANDLING.

- **CASE 4**

Since the length is different, no data is migrated.

Example: No data is migrated to SELECT_DRAWER2= under the following conditions. For this example, SELECT_DRAWER2= is not written in the output file.

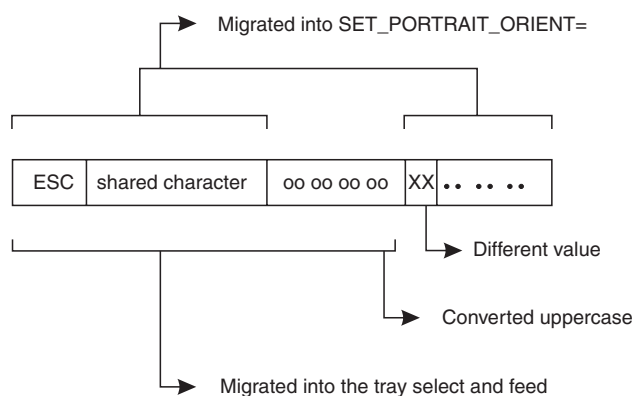
- The data is defined in the bottom tray select and feed for PAPER HANDLING and the length is 8.
- The data is defined in the bottom tray select and feed for LANDSCAPE PAPER HANDLING and the length is 10.

- **CASE 5**

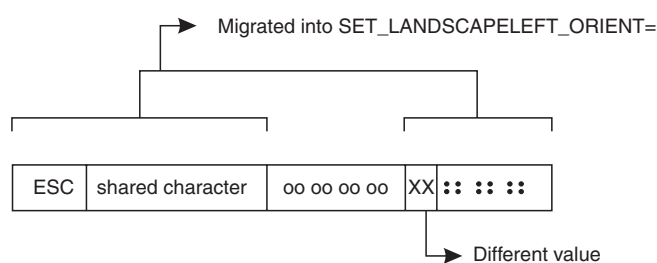
The PFT Migration Utility compares the data for PAPER HANDLING with the data for LANDSCAPE PAPER HANDLING as follows:

- If a different value is found in the data, search the control backward for the escape character X'1B'.
- If the escape character is found in the middle of the control, divide the control into two parts. The PFT Migration Utility assumes that the first part is the control for the tray select and feed, and the second part is the control for the page orientation. The PFT Migration Utility migrates the first part of the PAPER HANDLING control into the tray select and feed, the second part of the PAPER HANDLING control into the SET_PORTRAIT_ORIENT=, and the second part of the LANDSCAPE PAPER HANDLING control into SET_LANDSCAPELEFT_ORIENT=.
- If the escape character is found at the top of the control and 03 (= HP PCL) is defined in the user-defined control 988, the PFT Migration Utility assumes that the controls are combined. For this, the control begins with the escape character and the two shared characters. For this, the PFT Migration Utility assumes that the last character of the first part is a lowercase letter and converts it to an uppercase letter to indicate that it is a terminating character. The PFT Migration Utility divides the controls into the two parts as follows:

< Control for the PAPER HANDLING >



< Control for LANDSCAPE PAPER HANDLING >



- If the escape character is found, but the data stream is not HP PCL, the PFT Migration Utility displays the error message to indicate that the PFT Migration Utility cannot migrate the data.
- If the escape character is not found, the PFT Migration Utility displays the error message to indicate that the PFT Migration Utility cannot migrate the data.
- If a different value is not found, the same control is defined for PAPER HANDLING and LANDSCAPE PAPER HANDLING.

The PFT Migration Utility migrates the data in the following order:

1. Top Tray Select and Feed
2. Bottom Tray Select and Feed
3. Manual Select and Feed
4. Envelope Tray Select and Feed

The migration stops for the page orientation, SET_PORTRAIT_ORIENT= and SET_LANDSCAPELEFT_ORIENT=, when the controls for the page orientation are found. For example, the controls for the page orientation are found when the data is migrated for the Bottom Tray Select and Feed. The PFT Migration Utility does not care about the page orientation when migrating the data Manual Select and Feed, and Envelop Tray Select and Feed.

Part 6. Appendixes

Appendix A. iSeries, eServer i5, or System i5 Configuration Examples

To connect to an iSeries, eServer i5, or System i5, you need to specify configuration information in the workstation profile that accurately corresponds to the information specified in the iSeries, eServer i5, or System i5 (referred to as the *device description*).

For example, the LAN attachment via IEEE 802.2 in the following figure shows how the configuration information specified in the workstation profile corresponds to the configuration information in the iSeries, eServer i5, or System i5.

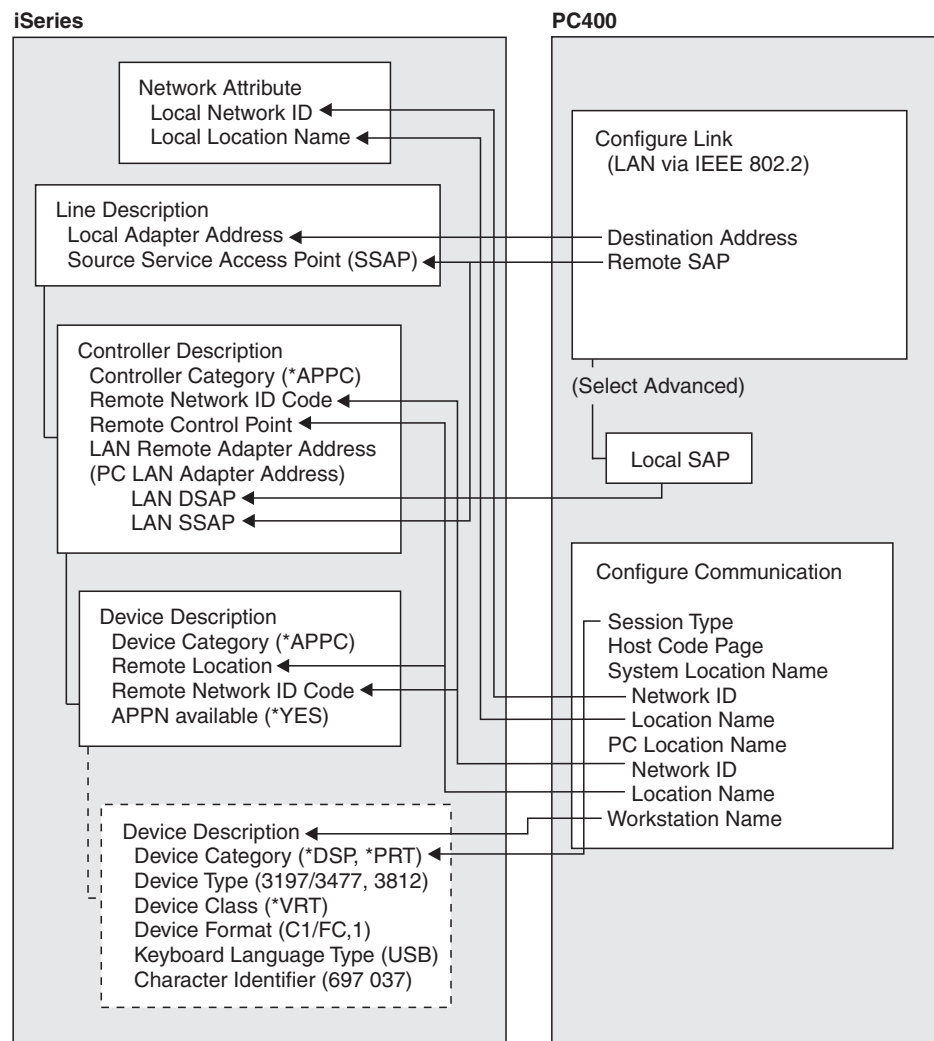


Figure 26. LAN Attachment via IEEE 802.2

iSeries Device Description

To configure 5250 display or printer sessions, the following values must be set in the iSeries device description:

iSeries Device Description	Display Session		Printer Session
	24 x 80	27 x 132	
Device category	*DSP	*DSP	*PRT
Device class	*VRT	*VRT	*VRT
Device type	3197	3477	3812
Device model	C1	FC	1
Keyboard language type	USB ⁺	USB ⁺	-
Character identify code	697 037 ⁺	697 037 ⁺	-

⁺ For SBCS, depends on the host code page selection.

The following table applies to DBCS only.

iSeries Device Description	Display Session		Printer Session
	Host Code Page 931	Host Code Page 939	
Device category	*DSP	*PRT	
Device class	*VRT	*VRT	
Device type	5555	5555	
C01	C01		
JUB	JPB	-	
Character identify code	101 037	-	
DBCS device feature	2424J0	2424J0	2424J0

5250 Sessions through One Link

If you want all your 5250 sessions to connect through one link to an iSeries, eServer i5, or System i5, use the same **PC Location Name** and the same **Link Parameters** for all the sessions.

For example, you can configure two display sessions and one printer session connected to an iSeries, eServer i5, or System i5 using APPN.PC5250 as the **Location Name**.


```

Session A : Session Type      : Display
(Display) : System Location Name : APPN.S7801234
          : PC Location Name       : APPN.PC5250
          : Workstation ID          : (not specified)

Session B : Session Type      : Display
(Display) : System Location Name : APPN.S7801234
          : PC Location Name       : APPN.PC5250
          : Workstation ID          : (not specified)

Session C : Session Type      : Printer
(Printer) : System Location Name : APPN.S7801234
          : PC Location Name       : APPN.PC5250
          : Workstation ID          : PCLOCALP1

```

In this example, the iSeries network attributes are:

```

Local network ID : APPN
Local location   : S7801234

```

Tip

Enter **DSPNETA** from a 5250 session to display iSeries, eServer i5, or System i5 network attributes.

System i5, iSeries, eServer i5, or System Mode Description

PC400 initially uses mode description **QPCSUPP** on the iSeries, eServer i5, or System i5. If the PC Support/400 program or iSeries Access is installed on the iSeries, eServer i5, or System i5, QPCSUPP need not be created. If mode description QPCSUPP does not exist on the iSeries, eServer i5, or System i5, create the mode description:

1. Enter the following command on the command line of the main menu of the iSeries, eServer i5, or System i5:

```
CRTMODD
```

The Creating Mode Description panel appears.

Creating Mode Description (CRTMODD)

Type the selected items, and push the Enter key.

Mode Description.....	Name	
Maximum Session..... 8		1-512
Maximum number of interaction... 8		1-512
Number of Local Control Sessions. 4		0-512
Number of Pre-joined Sessions... 0		0-512
Inbound Pacing Value..... 7		0-63
Outbound Pacing Value..... 7		0-63
Maximum Length of Request Unit... *CALC		241-16384, *CALC
Text Description	*BLANK	

End

F3=Exit	F4=Prompt	F5=Reshow	F10=Add parameter
F13=How to use this panel		F12= Cancel	F24=More key

2. Type the necessary values in each field, according to the following table.

Field Name	Input Value
Mode description	QPCSUPP
Maximum session	64
Maximum number of interactions	64
Number of local control sessions	0
Number of pre-joined sessions	0
Inbound pacing value	7
Outbound pacing value	7
Maximum length of request unit	*CALC
Text description	This field is optional

3. After you type all the values, press the Enter key.

This completes the creation of the mode description QPCSUPP.

iSeries, eServer i5, or System i5 Device Description for Twinaxial Attachments (APPC) Example

If you want to use a twinaxial (TDLC) attachment, the iSeries, eServer i5, or System i5 requires that you specify a device description. When the automatic device configuration indicator (QAUTOCFG) is set to ON in the iSeries, eServer i5, or System i5, the device description is created automatically. When the indicator is set to OFF, create the device description, as follows:

1. Enter the following command on the command line of the iSeries, eServer i5, or System i5 main menu:

```
CRTDEV DSP
```

The Creating Device Description (Display) panel appears.

Creating Device Description(Display) (CRTDEV DSP)

Type the selected item, and push Enter key.

Device Description...	Name	
Device Class.....		*LCL, *RMT, *VRT, *SNPT
Device Type.....		3101, 3151, 3161, 3162...
Device Format.....		0, 1, 2, 4, 11, 12, 23...

End

F3=Exit F4=Prompt F5=Reshow F10=Add parameter F12= Cancel

F13=How to use this panel F24=More key

2. Type the values in each field, according to the following table.

Field Name	Input Value
Device description	This is an optional field

Field Name	Input Value
Device class	*LCL
Device type	5150
Device format	2

3. After you type all values, press the Enter key.

The following screen appears:

```

Creating Device Description(Display) (CRTDEV DSP)

Type the selected item, and push Enter key.

Device Description.....>TWXP0A1 Name
Device Class.....>*LCL *LCL, *RMT, *VRT, *SNPT
Device Type.....>5150 3101, 3151, 3161, 3162...
Device Format.....>2 0, 1, 2, 4, 11, 12, 23...
Port Number..... - 0-17
Switch Setting..... - 0, 1, 2, 4, 5, 6
Online when IPL.....>*YES *YES, *NO
Controller to be attached... Name
Keyboard Word Type.....>*SYSVAL *SYSVAL,AGB,AGI,BLI...
Text Description.....>*BLANK

F3=Exit F4=Prompt F5=Reshow F10=Add parameter F12= Cancel
F13=How to use this panel F24=More key

```

4. Type the values for each field, according to the following table.

Field Name	Input Value
Port number	Number of the port to be attached
Switch setting	Device address
Controller to be attached	Descriptive name of the controller to be attached
Keyboard word type	USB ¹
¹ Depends on the host code page selection.	

5. After you enter all the values, press the Enter key.

This completes the creation of the device description for the twinaxial attachment.

iSeries, eServer i5, or System i5 Device Description for Asynchronous Attachment Example

If you want to use an asynchronous dial attachment, the iSeries, eServer i5, or System i5 requires that you specify configuration parameters for the controller/line/devices to be used.

The following sample is a typical configuration on the iSeries, eServer i5, or System i5 for an asynchronous dialed connection through an ASCII Workstation Controller.

1. Enter the following command on the command line of the iSeries, eServer i5, or System i5 main menu:

```
WRKCFGSTS *CTL CTL03
```

where *CTL03* is the name of your controller.
 The Work with Configuration Status panel appears.

```

Work with Configuration Status

Position to . . . . . _____ Starting characters

Type options, press Enter
  1=Vary on 2=Vary off 5=Work with job 8=Work with description
  9=Display mode status ...

Opt  Description          Status      -----Job-----
8_   CTL03                 ACTIVE
_    ADLCTST              VARY ON PENDING
_    ASYNC                VARY ON PENDING
_    ASYNCD               VARY ON PENDING
_    EZASYNC              VARY ON PENDING
_    ASYNCP0              VARY ON PENDING
_    ASYNRTR              ACTIVE

Parameters or command
====>

F3=Exit F4=Prompt F12=Cancel F23=More options F24=More keys
  
```

2. Enter **8** in the **Opt** field to work with the controller description for CTL03.
 The Work with Controller Descriptions panel appears.

```

Work with Controller Descriptions

Position to . . . . . _____ Starting characters

Type options, press Enter
  2=Change 3=Copy 4=Delete 5=Display 6=Print 7=Rename
  8=Work with status 9=Retrieve source 12=Print device addresses

Opt  Controller  Type  Text
2_   CTL03       6141  CREATED BY AUTO-CONFIGURATION

Parameters or command
====>

F3=Exit F4=Prompt F5=Refresh F6=Create F9=Retrieve F12=Cancel
F14=Work with status
  
```

3. Enter **2** in the **Opt** field to change the controller description for CTL03.
 The Change Controller Description panel appears.

```

Change Ctl Desc (local WS) (CHGCTLLWS)

Controller Description . . . . . : CTL03
Option . . . . . : *BASIC
Category of controller . . . . . : *LWS

Controller type . . . . . : 6141
Controller model . . . . . : 1
Resource name . . . . . : CTL03
TDL line . . . . . : QTDL429000
Online at IPL . . . . . : *YES
Auto-configuration controller . . : *YES
Text . . . . . : CREATED BY AUTO-CONFIGURATION
Device wait timer . . . . . : 10

Press Enter to continue.
====>

F3=Exit F4=Prompt F5=Refresh F12=Cancel F13=How to use this display
F24=More keys
BOTTOM

```

4. Type the values in each field, according to the following table.

Field Name	Input Value
Controller description	CTL03
Resource name	CTL03
Online at IPL	*YES
Device wait timer	10
Auto-configuration controller	*YES
Text description	This field is optional

The Work with Controller Descriptions panel appears.

```

Work with Controller Descriptions

Position to . . . . . _____ Starting characters

Type options, press Enter
2=Change 3=Copy 4=Delete 5=Display 6=Print 7=Rename
8=Work with status 9=Retrieve source 12=Print device addresses

Opt Controller Type Text
8_ CTL03 6141 Created by auto-configuration

Parameters or command
====>
F3=Exit F4=Prompt F5=Refresh F6=Create F9=Retrieve F12=Cancel
F14=Work with status
BOTTOM

```

5. Enter **8** in the **Opt** field to work with the configuration status.

The Work with Configuration Status panel appears.

```

Work with Configuration Status

Position to . . . . . _____ Starting characters

Type options, press Enter
1=Vary on 2=Vary off 5=Work with job 8=Work with description
9-Display mode status ...

Opt  Description      Status      -----Job-----
--  CTL03              ACTIVE
--  ADLCTST           VARY ON PENDING
--  ASYNCPERTH       VARY ON PENDING
--  ASYNCD            VARY ON PENDING
--  EZASYNC           VARY ON PENDING
--  ASYNCP0           VARY ON PENDING
8_  ASYNRTR           ACTIVE

Parameters or command
====>

F3=Exit F4=Prompt F12=Cancel F23=More options F24=More keys

```

6. Enter **8** in the **Opt** field next to ASYNRTR to work with the display device description.

The Work with Device Descriptions panel appears.

```

Work with Device Descriptions

Position to . . . . . _____ Starting characters

Type options, press Enter
2=Change 3=Copy 4=Delete 5=Display 6=Print 7=Rename
8=Work with status 9=Retrieve source

Opt  Controller  Type  Text
2_  ASYNRTR     5150  FOR PC400

Parameters or command
====>

F3=Exit F4=Prompt F5=Refresh F6=Create F9=Retrieve F12=Cancel
F14=Work with status

```

7. Enter **2** in the **Opt** field to change the device description.

The Change Device Description panel appears.

```

Change Device Desc (Display) (CHGDEVDSP)

Type choices, press Enter.

Device description . . . . . > ASYNRTR      Name
Port number . . . . . 4                    0-17, *SAME
Switch setting . . . . . 0                  0-6, *SAME
Online at IPL . . . . . *YES                *SAME, *YES, *NO
Keyboard language type . . . . . USI        *SAME, *SYSVAL, *NONE, AGB...

Character identifier:
  Graphic character set . . . . . *KBDTYPE   1-32767, *KBDTYPE, *SYSVAL...
  Code page . . . . . 1-32767
  Allow blinking cursor . . . . . *YES       *SAME, *YES, *NO
  Print device . . . . . *SYSVAL            Name, *SAME, *SYSVAL
  Output queue . . . . . *DEV              Name, *SAME, *DEV
  Library . . . . .                        Name, *LIBL, *CURLIB
  Printer file . . . . . QSYSPRT           Name, *SAME
  Library . . . . . *LIBL                   Name, *LIBL, *CURLIB
More...

Press Enter to continue.
====>
F3=Exit  F4=Prompt  F5=Refresh  F10=Additional parameters  F12=Cancel
F13=How to use this display  F24=More keys

```

This completes the creation of the controller and display device descriptions for an asynchronous dial attachment.

iSeries, eServer i5, or System i5 VT Asynchronous Attachment Example

The following sample is a typical configuration on the iSeries, eServer i5, or System i5 for a VT asynchronous dialed connection through an ASCII Workstation Controller. For more details on iSeries, eServer i5, or System i5 for VT asynchronous attachments, refer to *AS/400 ASCII Workstation Reference*.

1. Enter the following command on the command line of the iSeries, eServer i5, or System i5 main menu:

```
CRTDEV DSP
```

The Create Device Description panel appears, in a first and second screen, as shown for the configuration of a VT100 device in the following screens. When filling in the panel, make sure that the name of the attached controller (arbitrarily shown as CTL05 here) matches the name of the twinaxial controller configured on your iSeries, eServer i5, or System i5.

```

Create Device Desc (Display) (CRTDEV DSP)

Type choices, press Enter.

Device description . . . . . > VT100          Name
Device class . . . . . > *LCL                *LCL, *RMT, *VRT, *SNPT
Device type . . . . . > V100                 3101, 3151, 3161, 3162...
Device model . . . . . > *ASCII              0, 1, 2, 4, 5, 12, 23 ...
Emulated twinaxial device . . . > *TYPE      3196A2, 3197D2, *TYPE
Port number . . . . . > 1                    0-17
Emulating ASCII device . . . . . > *NO        *NO, *YES
Physical attachment . . . . . > *MODEM        *DIRECT, *PTT, *MODEM...
Online at IPL . . . . . > *YES                *YES, *NO
Attached controller . . . . . > CTL05         Name
Keyboard language type . . . . . > USB        *SYSVAL, AGB, AGI, ALI...
Inactivity timer . . . . . > *NOMAX           1-30, *ATTACH, *NOMAX...
Line speed . . . . . > 19200                 *TYPE, *CALC, 150, 300...
Word length . . . . . > 8                    *TYPE, *CALC, 7, 8
Type of parity . . . . . > *NONE              *TYPE, *CALC, *EVEN, *ODD...
Stop bits . . . . . > 2                      *TYPE, 1, 2
                                                    More...
F3=Exit  F4=Prompt  F5=Refresh  F10=Additional parameters  F12=Cancel
F13=How to use this display  F24=More keys

```

```

Create Device Desc (Display) (CRTDEV DSP)

Type choices, press Enter.

Text 'description' . . . . . > 'dec vt100 device description test'

Additional Parameters

Character identifier:
  Graphic character set . . . . . > *KBDTYPE    1-32767, *SYSVAL, *KBDTYPE
  Code page . . . . . > 1-32767
  Print device . . . . . > *SYSVAL             Name, *SYSVAL
  Output queue . . . . . > *DEV                Name, *DEV
  Library . . . . . > *LIBL                    Name, *LIBL, *CURLIB
  Printer file . . . . . > QSYSVRT             Name
  Library . . . . . > *LIBL                    Name, *LIBL, *CURLIB
                                                    Bottom
F3=Exit  F4=Prompt  F5=Refresh  F10=Additional parameters  F12=Cancel
F13=How to use this display  F24=More keys

```

2. For a similar configuration for a VT220:
 Use the same command, CRTDEV DSP, on the command line of the iSeries, eServer i5, or System i5 main menu. Again, the same kind of panels appear. You must make sure that the name of the attached controller matches the name of the twinaxial controller configured on your iSeries, eServer i5, or System i5.


```

Create Device Desc (Display) (CRTDEV DSP)

Type choices, press Enter.

Device description . . . . . VT220      Name
Device class . . . . . > *LCL          *LCL, *RMT, *VRT, *SNPT
Device type . . . . . > V220          3101, 3151, 3161, 3162...
Device model . . . . . > *ASCII       0, 1, 2, 4, 5, 12, 23
Emulated twinaxial device . . . > *TYPE 3196A2, 3197D2, *TYPE
Port number . . . . . > 2             0-17
Emulating ASCII device . . . . . > *NO *NO, *YES
Physical attachment . . . . . > *MODEM *DIRECT, *PTT, *MODEM...
Online at IPL . . . . . > *YES        *YES, *NO
Attached controller . . . . . > CTL05 Name
Keyboard language type . . . . . > USB *SYSVAL, AGB, AGI, ALI...
Inactivity timer . . . . . > *NOMAX   1-30, *ATTACH, *NOMAX...
Line speed . . . . . > 19200         *TYPE, *CALC, 150, 300...
Word length . . . . . > 8            *TYPE, *CALC, 7, 8
Type of parity . . . . . > *NONE      *TYPE, *CALC, *EVEN, *ODD...
Stop bits . . . . . > 1              *TYPE, 1, 2
More...

F3=Exit  F4=Prompt  F5=Refresh  F10=Additional parameters  F12=Cancel
F13=How to use this display  F24=More keys

```

```

Create Device Desc (Display) (CRTDEV DSP)

Type choices, press Enter.

Text 'description' . . . . . > 'dec vt220 device description test'

Additional Parameters

Character identifier:
  Graphic character set . . . . . > *KBDTYPE 1-32767, *SYSVAL, *KBDTYPE
  Code page . . . . . 1-32767
  Print device . . . . . > *SYSVAL Name, *SYSVAL
  Output queue . . . . . > *DEV Name, *DEV
  Library . . . . . Name, *LIBL, *CURLIB
  Printer file . . . . . > QSYSVRT Name
  Library . . . . . > *LIBL Name, *LIBL, *CURLIB

Bottom
F3=Exit  F4=Prompt  F5=Refresh  F10=Additional parameters  F12=Cancel
F13=How to use this display  F24=More keys

```

iSeries, eServer i5, or System i5 Configuration for SDLC Example

The following examples refer to SDLC and Hayes AutoSync.

Network Attributes

To display the network attributes for the iSeries, eServer i5, or System i5 to which you are connecting, enter the command **dspneta** on the iSeries, eServer i5, or System i5 main menu.

```

MAIN                                iSeries Main Menu                System:  RALYAS4B
Select one of the following:

    1. User tasks
    2. Office tasks
    3. General system tasks
    4. Files, libraries, and folders
    5. Programming
    6. Communications
    7. Define or change the system
    8. Problem handling
    9. Display a menu
   10. Information Assistant options
   11. iSeries Access tasks

   90. Sign off

Selection or command
====> dspneta

F3=Exit  F4=Prompt  F9=Retrieve  F12=Cancel  F13=Information Assistant
F23=Set initial menu

```

Press **Enter**.

The Display Network Attributes screen is displayed.

```

                                Display Network Attributes

Current system name . . . . . : System:  RALYAS4B
                                RALYAS4B
Pending system name . . . . . :
Local network ID . . . . . : USIBMRA
Local control point name . . . . . : RALYAS4B
Default local location . . . . . : RALYAS4B
Default mode . . . . . : BLANK
APPN node type . . . . . : *NETNODE
Data compression . . . . . : *NONE
Intermediate data compression . . . . . : *NONE
Maximum number of intermediate sessions . . . . . : 200
Route addition resistance . . . . . : 128
Server network ID/control point name . . . . . : *LCLNETID  *ANY

Press Enter to continue.

F3=Exit  F12=Cancel

```

The network attributes include the iSeries, eServer i5, or System i5 Network ID and CP name.

SDLC Leased Configuration

Several descriptions must be created on the iSeries, eServer i5, or System i5; examples are given in this section.

Creating an SDLC Line Description

To create an SDLC leased line description, enter the command `ctrlinsdlc` on the iSeries, eServer i5, or System i5 main menu.

```

MAIN                               iSeries Main Menu                System:  RALYAS4B
Select one of the following:

    1. User tasks
    2. Office tasks
    3. General system tasks
    4. Files, libraries, and folders
    5. Programming
    6. Communications
    7. Define or change the system
    8. Problem handling
    9. Display a menu
   10. Information Assistant options
   11. iSeries Access tasks

    90. Sign off

Selection or command
===> crtlnsdlc

F3=Exit  F4=Prompt  F9=Retrieve  F12=Cancel  F13=Information Assistant
F23=Set initial menu

```

Press **F4** (Prompt).

The Create Line Description panel is displayed. Enter the values for each parameter on the panel.

```

                                Create Line Desc (SDLC) (CRTLNSDLC)

Type choices, press Enter.

Line description . . . . . > PCOMMSDLCL   Name
Resource names . . . . . > LIN021       Name
      + for more values
Online at IPL . . . . . *YES             *YES, *NO
Data link role . . . . . *NEG            *NEG, *PRI, *SEC
Physical interface . . . . . *RS232V24   *RS232V24, *V35, *X21, ...
Connection type . . . . . *NONSWTPP     *NONSWTPP, *SWTPP, *MP, *SHM
Switched network backup . . . . . *NO    *NO, *YES
Exchange identifier . . . . . *SYSGEN    05600000-056FFFFFF, *SYSGEN
NRZI data encoding . . . . . *YES        *YES, *NO
Line speed . . . . . 9600                600, 1200, 2400, 4800...
Modem type supported . . . . . *NORMAL   *NORMAL, *V54, *IBMWRAP...
Maximum frame size . . . . . 521         265, 521, 1033, 2057
Duplex . . . . . *HALF                   *HALF, *FULL
Inactivity timer . . . . . 300           *NOMAX, 150-4200 (0.1 sec)
Poll response delay . . . . . 0          0-2048 (0.0001 seconds)
                                                More...

F3=Exit  F4=Prompt  F5=Refresh  F12=Cancel  F13=How to use this display
F24=More keys

```

```

Create Line Desc (SDLC) (CRTLINS DLC)

Type choices, press Enter.

Nonproductive receive timer . . 320          160-4200 (0.1 seconds)
Idle timer . . . . . 30          5-300 (0.1 seconds)
Connect poll timer . . . . . 30          2-300 (0.1 seconds)
Poll cycle pause . . . . . 0          0-2048 (0.0001 seconds)
Frame retry . . . . . 7          0-64
Text 'description' . . . . . PCOMM SDLC leased line

Additional Parameters

Attached nonswitched ctls . . .      Name
      + for more values
Modem data rate select . . . . . *FULL      *FULL, *HALF
Error threshold level . . . . . *OFF      *OFF, *MIN, *MED, *MAX
Modulus . . . . . 8          8, 128
Maximum outstanding frames . . . . . 7          1-28
More...
F3=Exit  F4=Prompt  F5=Refresh  F12=Cancel  F13=How to use this display
F24=More keys

```

Press **Enter** to save the line description pcommsdlc1.

SDLC Controller Description

To create the SDLC controller description for the line PCOMMSDLCL, enter **crtctlappc** on the iSeries, eServer i5, or System i5 main menu.

```

MAIN                               iSeries Main Menu                               System:  RALYAS4B

Select one of the following:

1. User tasks
2. Office tasks
3. General system tasks
4. Files, libraries, and folders
5. Programming
6. Communications
7. Define or change the system
8. Problem handling
9. Display a menu
10. Information Assistant options
11. iSeries Access tasks

90. Sign off

Selection or command
====> crtctlappc

F3=Exit  F4=Prompt  F9=Retrieve  F12=Cancel  F13=Information Assistant
F23=Set initial menu

```

Press **F4** (Prompt). The Create Controller Description panel is displayed. Enter values for each parameter on the following two panels.

```

Create Ctl Desc (APPC) (CRTCTLAPPC)

Type choices, press Enter.

Controller description . . . . . > PCOMMSDLCL      Name
Link type . . . . . > *SDLC                      *ANYNW, *FAX, *FR, *IDLC...
Online at IPL . . . . . *YES                      *YES, *NO
Switched connection . . . . . *NO                *NO, *YES
Switched network backup . . . . . *NO            *NO, *YES
APPN-capable . . . . . *YES                      *YES, *NO
Attached nonswitched line . . . . . > PCOMMSDLCL      Name
Maximum frame size . . . . . *LINKTYPE           265-16393, 256, 265, 512...
Remote network identifier . . . . . > USIBMRA        Name, *NETATR, *NONE, *ANY
Remote control point . . . . . > PCOMMCP           Name, *ANY
Exchange identifier . . . . .                    00000000-FFFFFFFF
Data link role . . . . . *NEG                    *NEG, *PRI, *SEC
Station address . . . . . C1                      00-FE
APPN CP session support . . . . . *NO           *YES, *NO
APPN node type . . . . . *LENNODE                 *ENDNODE, *LENNODE...
APPN transmission group number . . . . . 1          1-20, *CALC
More...
F3=Exit  F4=Prompt  F5=Refresh  F12=Cancel  F13=How to use this display
F24=More keys

```

```

Create Ctl Desc (APPC) (CRTCTLAPPC)

Type choices, press Enter.

Autocreate device . . . . . *ALL                *ALL, *NONE
Autodelete device . . . . . 1440                 1-10000, *NO
User-defined 1 . . . . . *LIND                   0-255, *LIND
User-defined 2 . . . . . *LIND                   0-255, *LIND
User-defined 3 . . . . . *LIND                   0-255, *LIND
Text 'description' . . . . . PCOMM SDLC Leased

Additional Parameters

Attached devices . . . . . Name
+ for more values
Character code . . . . . *EBCDIC                 *EBCDIC, *ASCII
SSCP identifier . . . . .                      000000000001-FFFFFFFFFFFF
IDL window size . . . . . *LIND                 1-31, *LIND
IDLC frame retry . . . . . *LIND                0-100, *LIND
More...
F3=Exit  F4=Prompt  F5=Refresh  F12=Cancel  F13=How to use this display
F24=More keys

```

Press **Enter**.

The APPC Device Description will create itself automatically.

SDLC Switched Configuration

The following examples contain information about the SDLC switched configuration on the iSeries, eServer i5, or System i5.

SDLC Line Description

To create an SDLC switched line definition on the iSeries, eServer i5, or System i5, enter the command **crtlinsdlc** on the iSeries, eServer i5, or System i5 main menu.

```

MAIN                               iSeries Main Menu                               System:  RALYAS4B
Select one of the following:

    1. User tasks
    2. Office tasks
    3. General system tasks
    4. Files, libraries, and folders
    5. Programming
    6. Communications
    7. Define or change the system
    8. Problem handling
    9. Display a menu
   10. Information Assistant options
   11. iSeries Access tasks

    90. Sign off

Selection or command
===> crtlnsdlc

F3=Exit  F4=Prompt  F9=Retrieve  F12=Cancel  F13=Information Assistant
F23=Set initial menu

```

Press **F4** (Prompt).

The Create Line Description panel is displayed. Enter values for each parameter on the panel.

```

                                Create Line Desc (SDLC) (CRTLINSDLC)
Type choices, press Enter.
Line description . . . . . > PCOMSDLCSW   Name
Resource names . . . . . > LIN051        Name
      + for more values
Online at IPL . . . . . *YES             *YES, *NO
Data link role . . . . . > *PRI          *NEG, *PRI, *SEC
Physical interface . . . . . *RS232V24  *RS232V24, *V35, *X21, ...
Connection type . . . . . > *SWTPP      *NONSWTPP, *SWTPP, *MP, *SHM
Vary on wait . . . . . *NOWAIT          *NOWAIT, 15-180 (1 second)
Autocall unit . . . . . *NO             *NO, *YES
Exchange identifier . . . . . *SYSGEN    05600000-056FFFFFF, *SYSGEN
NRZI data encoding . . . . . *YES        *YES, *NO
Line speed . . . . . 9600                600, 1200, 2400, 4800...
Modem type supported . . . . . *NORMAL   *NORMAL, *V54, *IBMWRAP...
Switched connection type . . . . . *BOTH *BOTH, *ANS, *DIAL
Autoanswer . . . . . *YES               *YES, *NO
Autodial . . . . . *NO                  *NO, *YES
                                                    More...
F3=Exit  F4=Prompt  F5=Refresh  F12=Cancel  F13=How to use this display
F24=More keys

```

```

Create Line Desc (SDLC) (CRTLINS DLC)

Type choices, press Enter.

Calling number . . . . . *NONE
Connect poll retry . . . . . 7          0-64
Maximum frame size . . . . . 521       265, 521, 1033, 2057
Duplex . . . . . *HALF                *HALF, *FULL
Nonproductive receive timer . . 320    160-4200 (0.1 seconds)
Idle timer . . . . . 30                5-300 (0.1 seconds)
Connect poll timer . . . . . 30        2-300 (0.1 seconds)
Poll cycle pause . . . . . 0           0-2048 (0.0001 seconds)
Frame retry . . . . . 7                0-64
Data Set Ready drop timer . . . 6      3-60 (seconds)
Autoanswer type . . . . . *DTR        *DTR, *CDSTL
Remote answer timer . . . . . 60       30, 35, 40, 45 (seconds)...
Text 'description' . . . . . PCOMM SDLC switched line

More...
F3=Exit  F4=Prompt  F5=Refresh  F12=Cancel  F13=How to use this display
F24=More keys

```

Press **Enter** to save the description pcomsdlcsw.

SDLC Controller Description

To create the controller description for the switched SDLC line, enter **crctlappc** on the iSeries, eServer i5, or System i5 main menu.

```

MAIN                               iSeries Main Menu                               System:  RALYAS4B

Select one of the following:

1. User tasks
2. Office tasks
3. General system tasks
4. Files, libraries, and folders
5. Programming
6. Communications
7. Define or change the system
8. Problem handling
9. Display a menu
10. Information Assistant options
11. iSeries Access tasks

90. Sign off

Selection or command
===> crctlappc

F3=Exit  F4=Prompt  F9=Retrieve  F12=Cancel  F13=Information Assistant
F23=Set initial menu

```

Press **F4** (Prompt).

The Create Controller Description panel is displayed. Enter values for each parameter on the panel.

```

Create Ctl Desc (APPC) (CRTCTLAPPC)

Type choices, press Enter.

Controller description . . . . . > PCOMSDLCSW      Name
Link type . . . . . > *SDLC                      *ANYNW, *FAX, *FR, *IDLC...
Online at IPL . . . . . > *YES                    *YES, *NO
Switched connection . . . . . > *YES              *NO, *YES
Short hold mode . . . . . > *NO                  *NO, *YES
APPN-capable . . . . . > *YES                    *YES, *NO
Switched line list . . . . . > PCOMSDLCSW          Name
      + for more values
Maximum frame size . . . . . *LINKTYPE            265-16393, 256, 265, 512...
Remote network identifier . . . *NETATR           Name, *NETATR, *NONE, *ANY
Remote control point . . . . . > J0              Name, *ANY
Exchange identifier . . . . . > 00000000         00000000-FFFFFFF
Initial connection . . . . . > *ANS              *DIAL, *ANS
Connection number . . . . . > 123
Data link role . . . . . > *SEC                  *NEG, *PRI, *SEC
Station address . . . . . > 01                   00-FE
                                                    More...
F3=Exit  F4=Prompt  F5=Refresh  F12=Cancel  F13=How to use this display
F24=More keys

```

```

Create Ctl Desc (APPC) (CRTCTLAPPC)

Type choices, press Enter.

APPN CP session support . . . . *NO            *YES, *NO
APPN node type . . . . . *LENNODE            *ENDNODE, *LENNODE...
APPN transmission group number . 1             1-20, *CALC
APPN minimum switched status . . *VRYONPND    *VRYONPND, *VRYON
Autocreate device . . . . . *ALL             *ALL, *NONE
Autodelete device . . . . . 1440             1-10000, *NO
User-defined 1 . . . . . *LIND               0-255, *LIND
User-defined 2 . . . . . *LIND               0-255, *LIND
User-defined 3 . . . . . *LIND               0-255, *LIND
Text 'description' . . . . . PCOM SDLC switched line

Additional Parameters

Attached devices . . . . . Name
      + for more values
                                                    More...
F3=Exit  F4=Prompt  F5=Refresh  F12=Cancel  F13=How to use this display
F24=More keys

```

Press **Enter** to save the controller description `pcomsd1csw`.

The APPC Device Description will create itself automatically once Personal Communications attaches to the iSeries, eServer i5, or System i5 using the line and controller descriptions that were just created.

LAN Configuration Example

This example assumes that a line description (token-ring or Ethernet) is already in place. This is a shared configuration object—all connections on that adapter will use the same line description. In the configuration example shown, the line description name is `TRN2619`.

LAN Controller Description

The normal method would be to let the APPC controller create itself automatically. However, if preferred, the following command can be used to manually create the APPC controller.

To create a LAN controller description, enter **crtctlappc** on the iSeries, eServer i5, or System i5 main menu.

```

MAIN                               iSeries Main Menu                               System:  RALYAS4B
Select one of the following:

    1. User tasks
    2. Office tasks
    3. General system tasks
    4. Files, libraries, and folders
    5. Programming
    6. Communications
    7. Define or change the system
    8. Problem handling
    9. Display a menu
   10. Information Assistant options
   11. iSeries Access tasks

   90. Sign off

Selection or command
===> crtctlappc

F3=Exit  F4=Prompt  F9=Retrieve  F12=Cancel  F13=Information Assistant
F23=Set initial menu
  
```

Press **F4** (Prompt). The Create Controller Description panel will be displayed.

Enter values for each parameter on the panel.

```

                                Create Ctl Desc (APPC) (CRTCTLAPPC)
Controller description . . . . . > PCOMMLAN      Name
Link type . . . . . > *LAN                      *ANYNW, *FAX, *FR, *IDLC...
Online at IPL . . . . . *YES                     *YES, *NO
APPN-capable . . . . . *YES                     *YES, *NO
Switched line list . . . . . > TRN2619          Name
    + for more values
Maximum frame size . . . . . *LINKTYPE          265-16393, 256, 265, 512...
Remote network identifier . . . *NETATR         Name, *NETATR, *NONE, *ANY
Remote control point . . . . . > PEPE          Name, *ANY
Exchange identifier . . . . . 00000000-FFFFFFF
Initial connection . . . . . *DIAL            *DIAL, *ANS
Dial initiation . . . . . *LINKTYPE          *LINKTYPE, *IMMED, *DELAY
LAN remote adapter address . . . 400052005109  000000000001-FFFFFFFFFFFF
APPN CP session support . . . . *NO        *YES, *NO
APPN node type . . . . . *LENNODE           *ENDNODE, *LENNODE...
APPN/HPR capable . . . . . *YES            *YES, *NO
                                                More...
F3=Exit  F4=Prompt  F5=Refresh  F12=Cancel  F13=How to use this display
F24=More keys
  
```

```

                                Create Ctl Desc (APPC) (CRTCTLAPPC)

Type choices, press Enter.

APPN transmission group number      1          1-20, *CALC
APPN minimum switched status . . . *VRYONPND  *VRYONPND, *VRYON
Autocreate device . . . . .        *ALL      *ALL, *NONE
Autodelete device . . . . .        1440      1-10000, *NO
User-defined 1 . . . . .           *LIND     0-255, *LIND
User-defined 2 . . . . .           *LIND     0-255, *LIND
User-defined 3 . . . . .           *LIND     0-255, *LIND
Model controller description . . . *NO        *NO, *YES
Text 'description' . . . . .       PCOMM token-ring

                                                                    Bottom
F3=Exit   F4=Prompt   F5=Refresh   F10=Additional parameters   F12=Cancel
F13=How to use this display   F24=More keys

```

Press **Enter** to save the controller description pcomm1an.

The APPC Device Description will create itself automatically. Personal Communications attaches to the iSeries, eServer i5, or System i5 using the controller description that was just created.

Appendix B. Alerts

Alerts are generated by components of Personal Communications; corresponding messages are logged in the message log and can be viewed with the Personal Communications log viewer utility. Refer to the information about log viewer functions in the User's Reference for the specific emulator type for more information.

Note that some alerts can be caused by different situations. Each situation may generate a different message. Other alerts are informational and do not generate specific messages in the log, although messages about problems relating to the situation that generated the alert may be logged.

Alert ID number	Messages logged
APPN	
X'034A6F0B'	PCS4066E PCS4068E PCS4093E
X'0DF28A14'	PCS4065E PCS4066E PCS4068E PCS4069E PCS4070E
X'170F7710'	No specific message
X'21745F28'	No specific message
X'2313A399'	PCS4364A PCS4365A PCS4379A
X'32CDF4E2'	PCS4073E
X'47302521'	No specific message
X'6D27D125'	PCS4066E PCS4068E
X'7599A7D8'	No specific message
X'769022F0'	PCS4504E
X'9DCD7CCA'	PCS4275E PCS4280E PCS4282E PCS4283A PCS4284E PCS4304E PCS4305E PCS4310A PCS4311E PCS4312E
X'9E452D9C'	PCS4593A
X'A89646AA'	PCS4275E PCS4280E PCS4282E PCS4283A PCS4284E PCS4304E PCS4305E PCS4310A PCS4311E PCS4312E
X'B558D310'	PCS4324E PCS4342E PCS4347E
X'C781E91E'	No specific message

X'EBAA3C4F'	PCS4593A
X'EBEE390E'	PCS4063E
	PCS4064E
	PCS4066E
	PCS4067E
	PCS4068E
	PCS4071A
	PCS4091E
	PCS4092E
	PCS4094E
	PCS4123E
	PCS4124E
	PCS4125E
X'F52A0C01'	PCS4061E
	PCS4062E
X'FE1C42EB'	No specific message

LLC2 SAP

X'016E5F4E'	PCS1066A
	PCS1054A
X'3BA03B6D'	PCS1066A
	PCS1005E
X'55BF3E1C'	PCS1066A
	PCS1054A
X'A676B230'	PCS1066A
	PCS1005E
X'CAF3C58A'	PCS1066A
	PCS1054A
X'D2E24978'	PCS1066A
	PCS1005E
X'D615A61E'	PCS1066A
	PCS1054A
X'EB1D6ABB'	PCS1066A
	PCS1005E
X'EB61E14F'	PCS1066A
	PCS1005E

LLC2 Link Station

X'216D1033'	PCS1065A
	PCS1003E
X'25AC0D84'	PCS1065A
	PCS1004E
X'28EF2B5D'	PCS1065A
	PCS1001E
	PCS1004E
	PCS1006E
X'5B8F5BA7'	PCS1065A
	PCS1050A
X'83D91642'	PCS1065A
	PCS1000E
X'87180BF5'	PCS1065A
	PCS1000E
X'8A5B2D2C'	PCS1065A
	PCS1000E
X'8E9A309B'	PCS1065A
	PCS1000E
X'E65B0B7F'	PCS1065A

pDLC

Alert ID number	Messages logged	Alert type	Alert description
X'0E499026'	PCS8607	01	3300
X'0F935B3E'	PCS8603	01	3300
X'21C346F0'	PCS8619	01	3300
X'25025B47'	PCS8620	01	3300

X'28417D9E'	PCS8617	01	3300
X'2C806029'	PCS8618	01	3300
X'4227687B'	PCS8610	01	3300
X'6C6E2505'	PCS8604	01	8000
	PCS8612		
X'7EA9C871'	PCS8608	01	3300
X'8CEC6B74'	PCS8609	01	3300
X'AB218ADF'	PCS8700	01	3300
X'BB5C288E'	PCS8600	01	3300
X'C16E9922'	PCS8615	01	3300
X'C5AF8495'	PCS8616	01	3300
X'C8ECA24C'	PCS8613	01	3300
X'CC2DBFFB'	PCS8614	01	3300
X'D3F9C6D8'	PCS8611	01	3300
X'EBB67B65'	PCS8606	01	3300

Appendix C. Notices

This information was developed for products and services offered in the U.S.A. IBM may not offer the products, services, or features discussed in this document in other countries. Consult your local IBM representative for information on the products and services currently available in your area. Any reference to an IBM product, program, or service is not intended to state or imply that only that IBM product, program, or service may be used. Any functionally equivalent product, program, or service that does not infringe any IBM intellectual property right may be used instead. However, it is the user's responsibility to evaluate and verify the operation of any non-IBM product, program, or service.

IBM may have patents or pending patent applications covering subject matter described in this document. The furnishing of this document does not give you any license to these patents. You can send license inquiries, in writing, to:

IBM Director of Licensing
IBM Corporation
500 Columbus Avenue
Thornwood, NY 10594
U.S.A.

For license inquiries regarding double-byte (DBCS) information, contact the IBM Intellectual Property Department in your country or send inquiries, in writing, to:

IBM World Trade Asia Corporation
Licensing
2-31 Roppongi 3-chome, Minato-ku
Tokyo 106, Japan

The following paragraph does not apply to the United Kingdom or any other country where such provisions are inconsistent with local law:

INTERNATIONAL BUSINESS MACHINES CORPORATION PROVIDES THIS PUBLICATION "AS IS" WITHOUT WARRANTY OF ANY KIND, EITHER EXPRESS OR IMPLIED, INCLUDING, BUT NOT LIMITED TO, THE IMPLIED WARRANTIES OF NON-INFRINGEMENT, MERCHANTABILITY OR FITNESS FOR A PARTICULAR PURPOSE. Some states do not allow disclaimer of express or implied warranties in certain transactions, therefore, this statement may not apply to you.

This information could include technical inaccuracies or typographical errors. Changes are periodically made to the information herein; these changes will be incorporated in new editions of the publication. IBM may make improvements and/or changes in the product(s) and/or the program(s) described in this publication at any time without notice.

Any references in this information to non-IBM documentation or non-IBM Web sites are provided for convenience only and do not in any manner serve as an endorsement of those documents or Web sites. The materials for those documents or Web sites are not part of the materials for this IBM product and use of those documents or Web sites is at your own risk.

Licensees of this program who wish to have information about it for the purpose of enabling: (i) the exchange of information between independently created

programs and other programs (including this one) and (ii) the mutual use of the information which has been exchanged, should contact:

IBM Corporation
Department T01
Building 062
P.O. Box 12195
RTP, NC 27709-2195
U.S.A.

Such information may be available, subject to appropriate terms and conditions, including in some cases, payment of a fee.

The licensed program described in this information and all licensed material available for it are provided by IBM under terms of the IBM Customer Agreement or any equivalent agreement between us.

Information concerning non-IBM products was obtained from the suppliers of those products, their published announcements or other publicly available sources. IBM has not tested those products and cannot confirm the accuracy of performance, compatibility or any other claims related to non-IBM products. Questions on the capabilities of non-IBM products should be addressed to the suppliers of those products.

All statements regarding IBM's future direction or intent are subject to change or withdrawal without notice, and represent goals and objectives only.

Trademarks

The following terms are trademarks of the IBM Corporation in the United States or other countries, or both:

Advanced Peer-to-Peer Networking	Netfinity
AIX	OfficeVision/400
AnyNet	OfficeVision/MVS
Client Access	Open Blueprint
CUA	OS/2
DB2	OS/390
DB2 Connect	OS/400
eServer	RACF
GDDM	SecureWay
i5/OS	System i5
IBM	VTAM
IBM Global Network	World Registry
InfoWindow	z/OS
iSeries	zSeries
Micro Channel	

Lotus, Notes, SmartSuite, and 1-2-3 are trademarks of Lotus Development Corporation in the United States, other countries, or both.

Tivoli[®] is a trademark of Tivoli Systems, Inc. in the United States and/or other countries.

Microsoft, Windows, and the Windows logo are registered trademarks of Microsoft Corporation in the United States, other countries, or both.

Java, JavaBeans, and all Java-based trademarks and logos are trademarks or registered trademarks of Sun Microsystems, Inc. in the United States, other countries, or both.

Other company, product, and service names may be trademarks or service marks of others.

Index

Numerics

- 3270
 - configuring a second link 17
 - configuring emulation to multiple hosts 19
- 3270 data stream (printing) 165
- 3270 passthru 32
- 5250
 - automatic device name generation 22
 - configuring a second link 18
 - configuring emulation to multiple hosts 19

A

- adapters
 - 3270 via iSeries 32
 - Home3270 31
 - IBM Global Network Connection 30
 - IBM PCI Multiprotocol 34
 - IBM SDLC PCMCIA 34
 - OEM 35
 - SDLC MPA 29
- alerts xiii
- AnyNet
 - AnyNet examples 108
- AnyNet SNA over TCP/IP
 - configuration examples 108
 - defining names 104, 105
 - hints 107
 - mapping 103
 - overview 97
 - routing preference protocol 106
- APARs 10
- Arabic support 145, 147
- asynchronous attachment
 - eServer i5 device description 243
 - iSeries device description 243
 - System i5 device description 243
- asynchronous console 32

B

- bidirectional language support
 - Arabic
 - character shape selection functions 149
 - installation 147
 - keyboard functions for 3270 147
 - limitations 147
 - Hebrew
 - configuration 153
 - functions for 5250 154
 - general 151
 - printing considerations, Arabic and Hebrew 145
 - VT, Arabic and Hebrew 155

C

- Certificate Express Logon
 - configuring 83
 - preparing to configure 82

- Certificate Express Logon (*continued*)
 - problem determination 83
 - using 81
- Certificate Management 52, 54
- character sequences, unsupported 31
- Chinese character set 141
- Citrix 71
- communication check 50x 31
- compiler, printer table
 - description of 163
 - explanation 173
 - printer color mixing 165
 - printer definition file format 190
- configuration
 - 3270 17
 - 5250 18
 - advanced configuration 13
 - eServer i5 examples 239
 - iSeries examples 239
 - System i5 examples 239
- conflicts, preventing 33

D

- data stream support, printer
 - 3270 165
 - SCS 167
- Database Access 77
 - data source, accessing 77
 - overview 75
 - size limit 79
- delimiting print jobs 168

E

- eServer i5
 - 5250 sessions through one link 240
 - configuration examples 239
 - device description 242, 243
 - error messages 32
 - system mode description 241
 - system setup 32

F

- files
 - configuration 13
 - template 14
 - update 14

H

- Hebrew support 145, 151
- Home3270 31
- host-directed print 165

I

- IBM Global Network - SNA over Async 30
- IBM PC720 modem initialization 32
- Information Bundler 9
- Information, Where to Find More
 - Alerts, Messages and xii
 - Messages and Alerts xii
- Internet Service utility 9
- iSeries
 - 3270 passthru 32
 - 5250 sessions through one link 240
 - configuration examples 239
 - device description 242, 243
 - error messages 32
 - system mode description 241
 - system setup 32

J

- Japanese character set 140

L

- language support
 - multiple sessions 135
 - overview 133
 - Thai 143
 - user interface languages 134
- line speed
 - Home3270 attachment 31
 - IBM Global Network - SNA over Async attachment 30
 - SDLC attachment 29
- log viewer 7
- Log Viewer Functions 85
 - Changing Message Log Size and Location 85
 - Filtering 86
 - Merging Message and Trace Logs 85
 - Searching 86
 - Sorting Message and Trace Logs 86
 - Viewing Message and Trace Logs 85
- log viewer utility 85

M

- manufacturing refreshes 10
- message
 - merging 85
 - sorting 86
 - viewing 85
- message logger device driver 85
- messages
 - alerts xiii
 - OIA xiii
 - system fault xii

N

- node operations 96, 119
- notices 263

O

- ODBC driver
 - components 75

- ODBC driver (*continued*)
 - overview 75
- OEM adapter 35
- online help xii

P

- passthru 32
- PCSPTC program 163, 173
- Personal Communications
 - functions 3
 - library xiii
 - problem analysis
 - Internet Service 9
 - log viewer 7
 - trace facility 8
- printer color mixing 165
- printer control codes 201
- printer data stream support
 - 3270 165
 - SCS 167
- printer definition files
 - examples 179
 - field names 190
 - symbols 196
- printer definition table
 - 3270
 - data stream support 165
 - delimiting print jobs 168
 - overview 163
 - PDF statements 163
 - printer color mixing 165
 - SCS TAB setting 165
 - structured fields 169
 - PC400
 - example files 179
 - PDF file format 173
 - transparent print capability 178
 - using PDF file 173
- printer function table migration utility 211
- problem analysis
 - Information Bundler 9
 - Internet Service 9
 - log viewer 7
 - manufacturing refreshes 10
 - trace facility 8

S

- SCS data stream (printing) 165
- SDLC MPA adapter 29
- security
 - adding root certificate 53
 - Certificate Management 52, 54
 - configuring
 - client 47
 - server and related client 47
 - configuring SSL 46
 - password, changing 52
 - pop-up messages 51
 - problem determination 56
 - Smart Card support 56
 - TLS 68
 - using SSL 46
 - using unknown CA 53
 - using well-known CA 52

- sessions
 - querying 25
 - starting 24
 - stopping 25
- shift support 138
- Smart Card 56
- SNA Client/Server concepts
 - APPC concepts 89
 - general 89
 - SNA communications 95
 - SNA node operations 96
 - terminology 89
- SNA node operations 96, 119
 - Changing an HPR Path Switch 122
 - Command Line Utilities 123
 - cryptography 127
 - Deleting a Resource 122
 - Displaying a Resource 122
 - session-level encryption 127
 - Starting a Resource 122
 - Starting Node Operations 121
 - Stopping a Resource 122
 - Updating SNA Resources Dynamically 123
 - Using the Menu Bar 121
- SNA Node, configuration preferences 71
- SSL 46
- System i5
 - 5250 sessions through one link 240
 - configuration examples 239
 - device description 242, 243
 - error messages 32
 - system mode description 241
 - system setup 32
- system policy support
 - configuration policy 37
 - execution policy 41
 - file transfer 42
 - installation policy 42
 - view policy 42

T

- TCP/IP
 - connection considerations 28
 - protocol driver 28
- terminal services 71
- TLS 68
- trace
 - merging 85
 - sorting 86
 - viewing 85
- trace facility 8
- twinax attachment
 - eServer i5 device description 242
 - iSeries device description 242
 - System i5 device description 242

U

- Unicode support
 - 1390/1399 code pages 159
 - Hindi 160
- unsupported character sequences 31

W

- WebUpdate
 - APARs 10
 - manufacturing refreshes 10
- WTS 71



Program Number: 5639-I70

Printed in USA

SC31-8840-05

