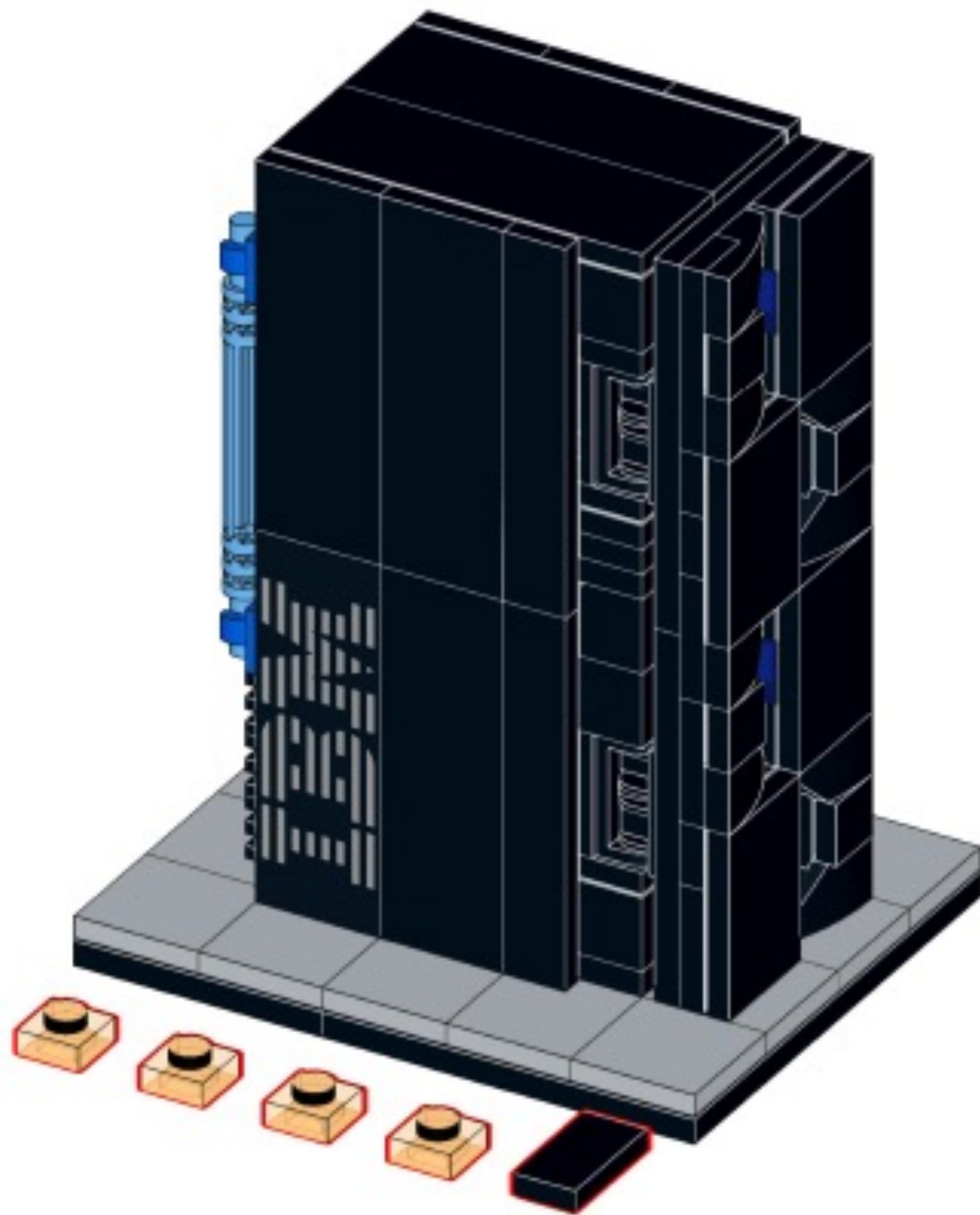
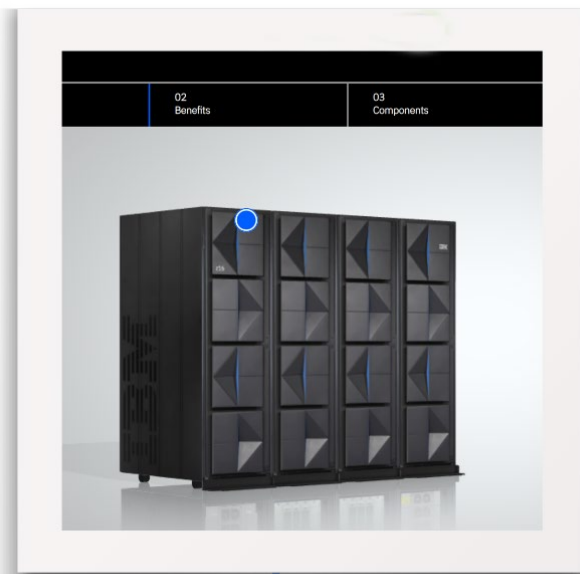


IBM® z16™ and IBM® LinuxONE 4 LEGO® model assembly instructions



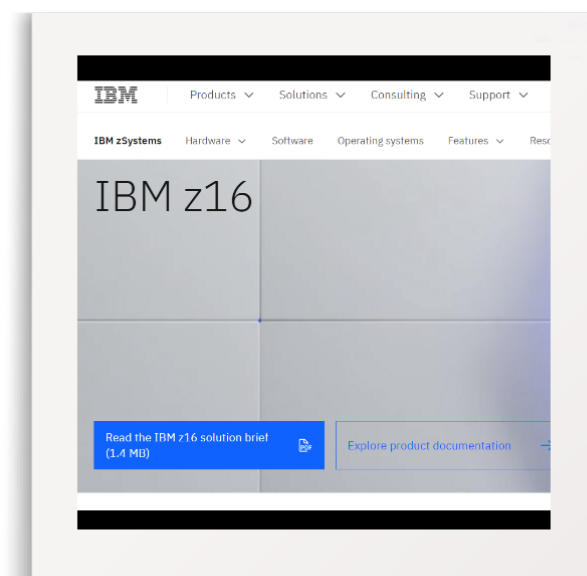
Learn more about IBM z16 and IBM[®] LinuxONE 4

IBM z16 3D Demo



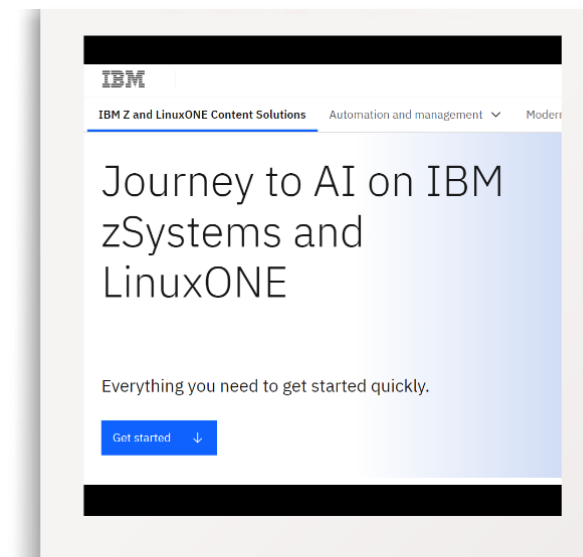
ibm.biz/BdyLBC

IBM z16 Home Page



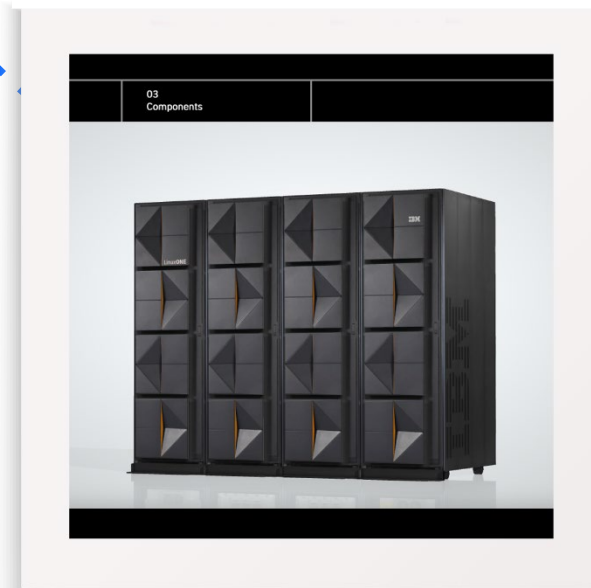
ibm.biz/BdyLBT

AI on IBM Z and
IBM[®] LinuxONE



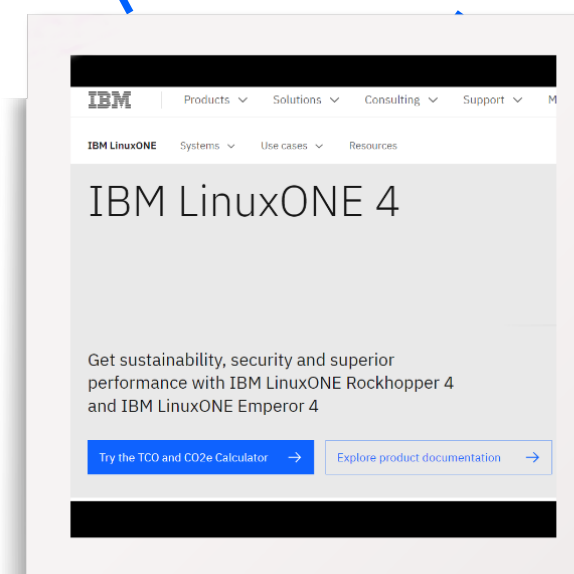
ibm.biz/BdyLdR

IBM[®] LinuxONE 4
3D Demo

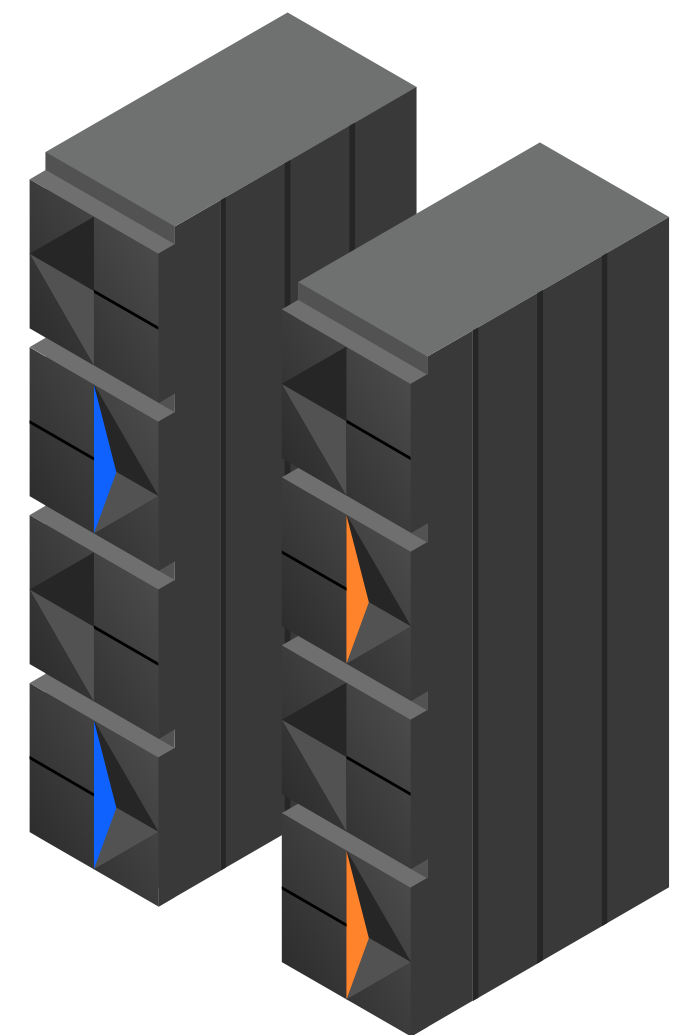


ibm.biz/BdyLBX

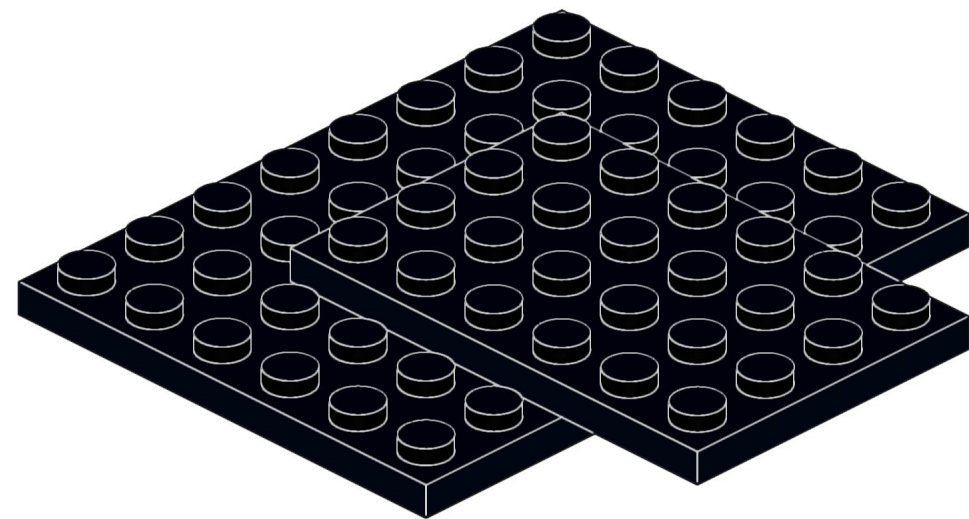
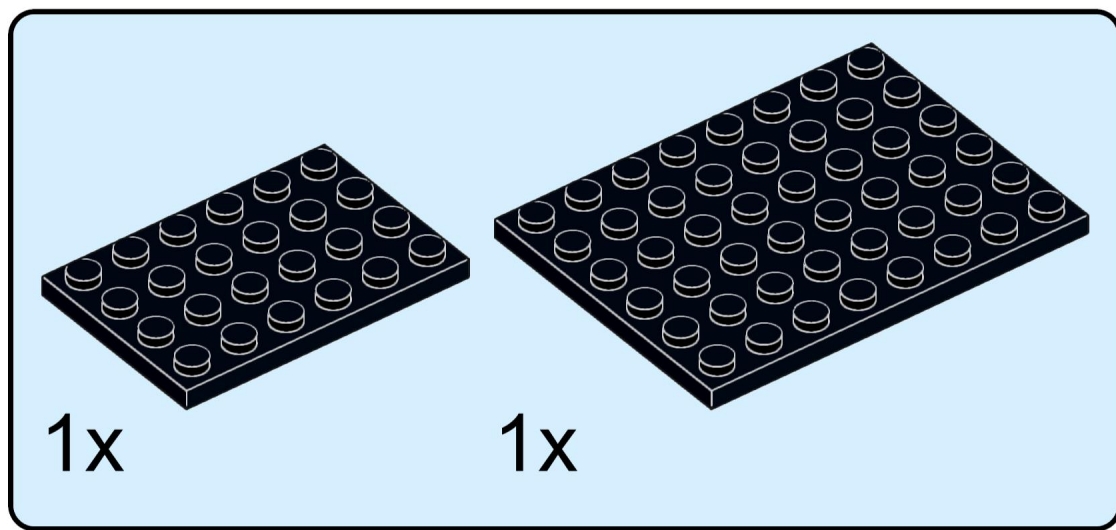
IBM[®] LinuxONE
Home Page



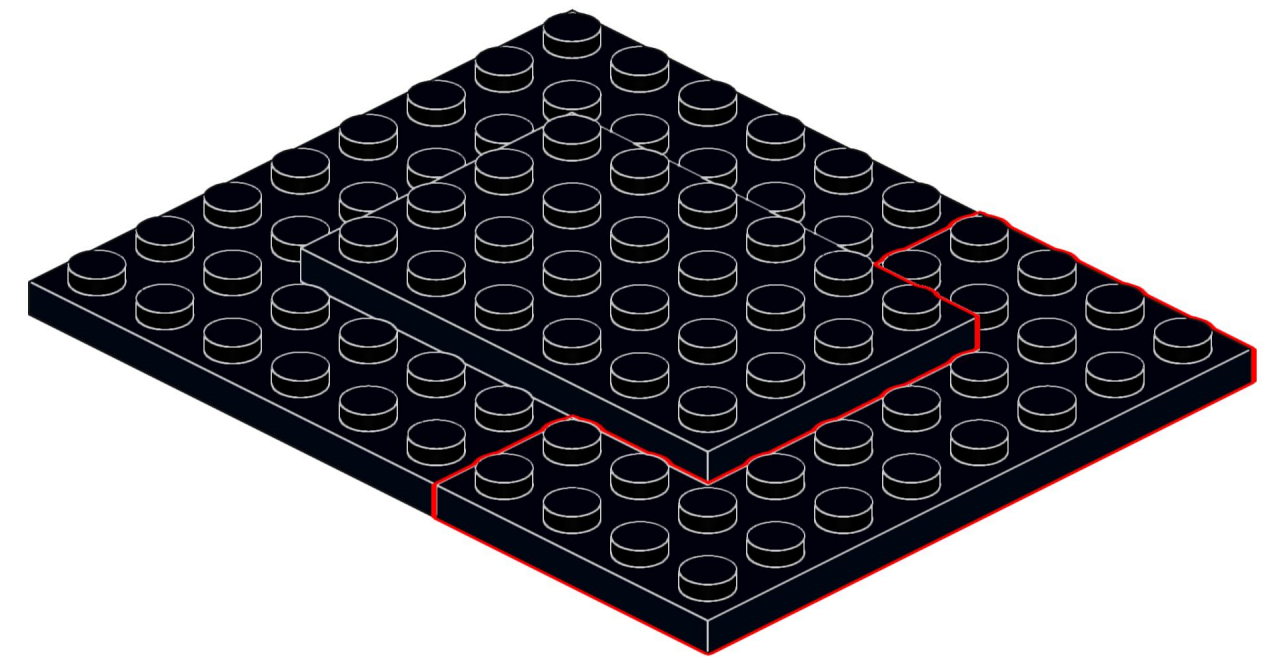
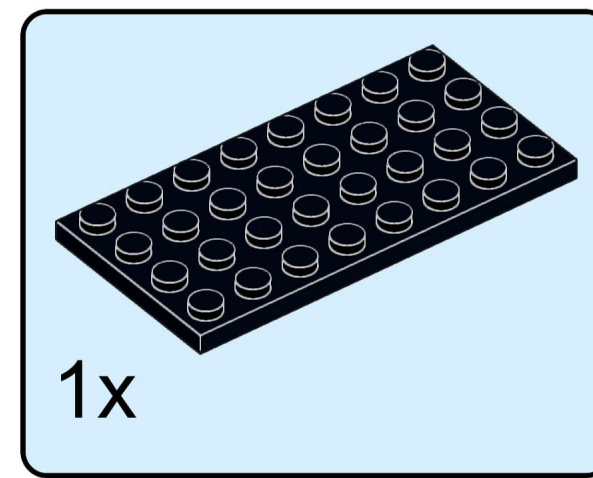
ibm.biz/BdyLBU



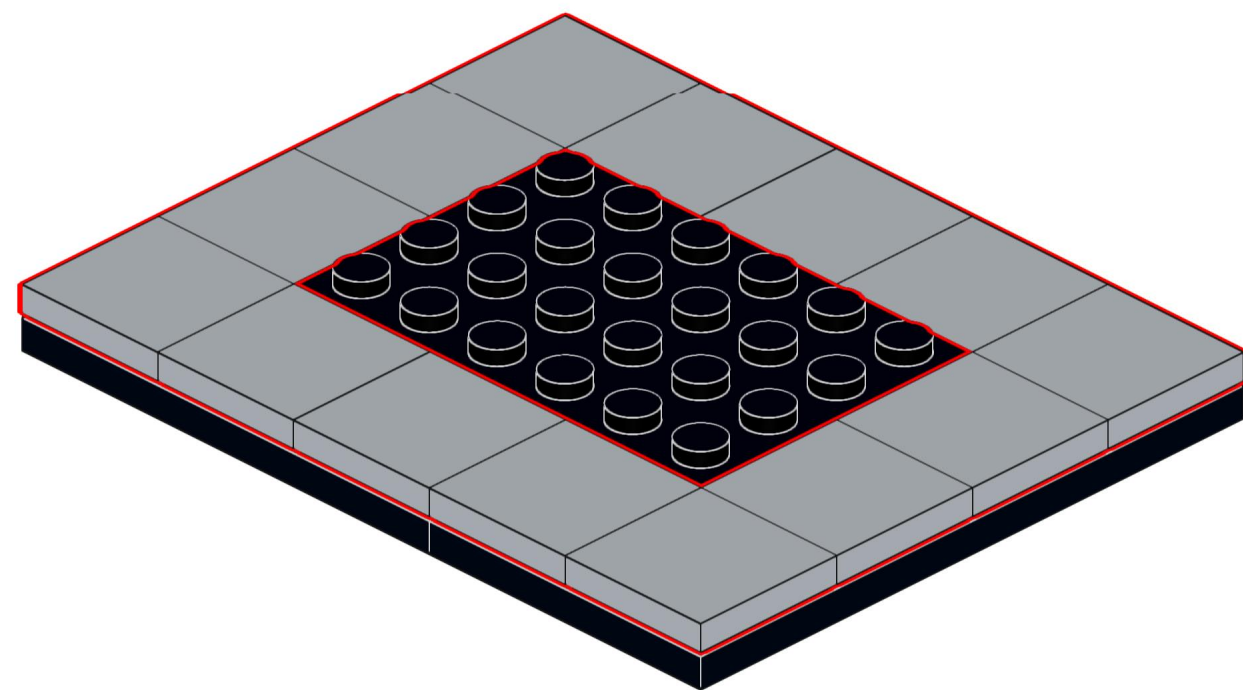
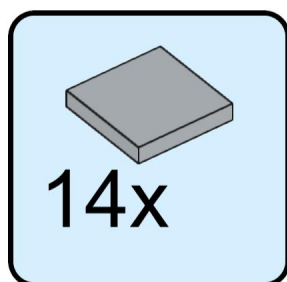
1



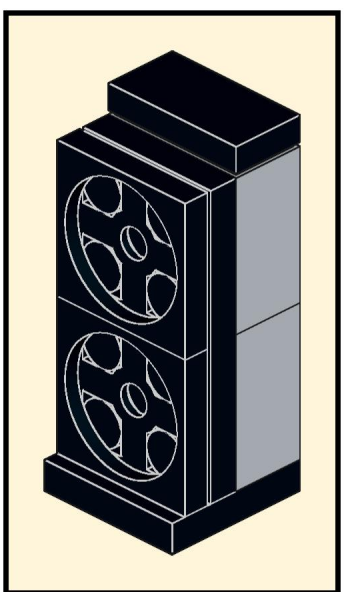
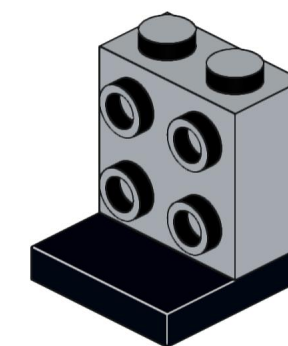
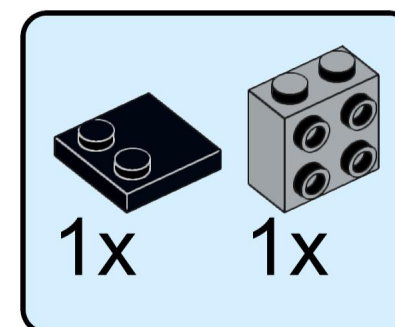
2



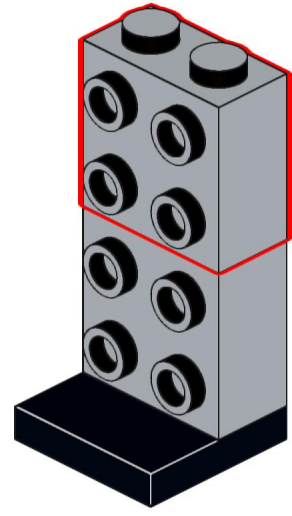
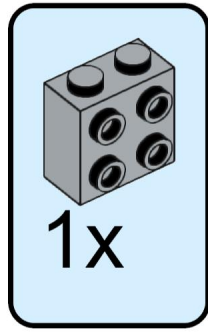
3



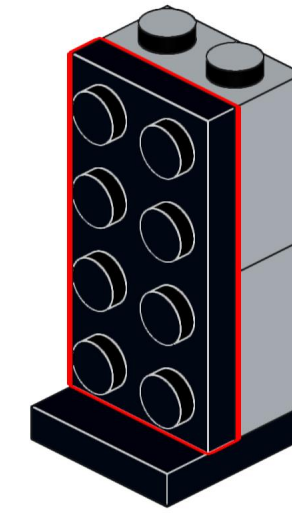
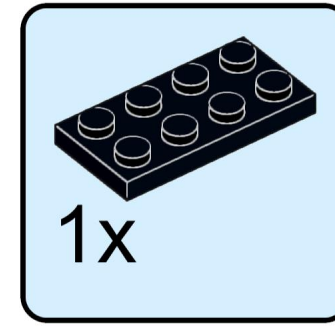
4



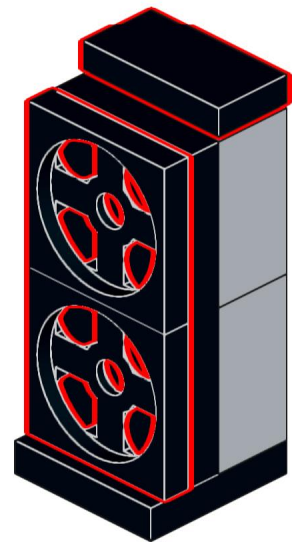
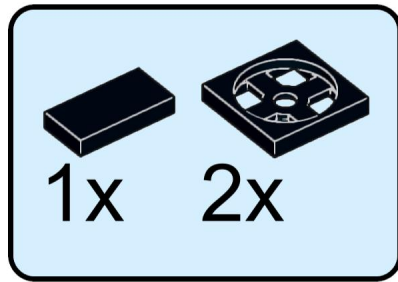
5



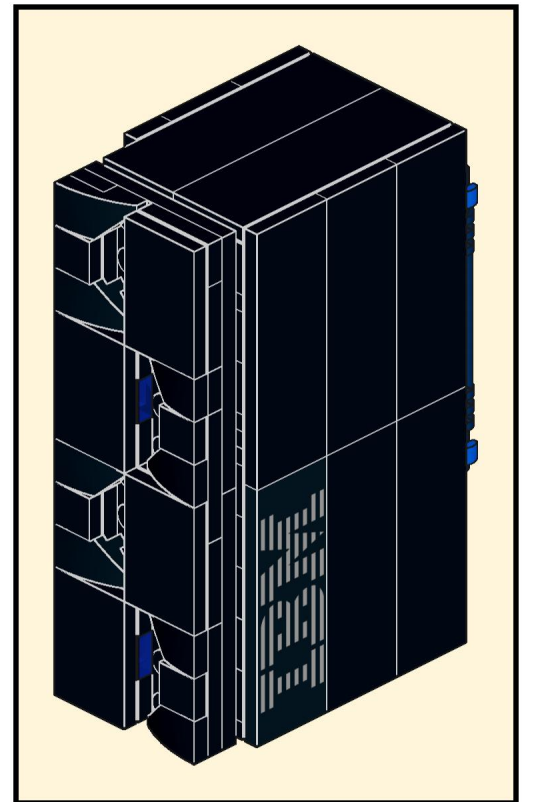
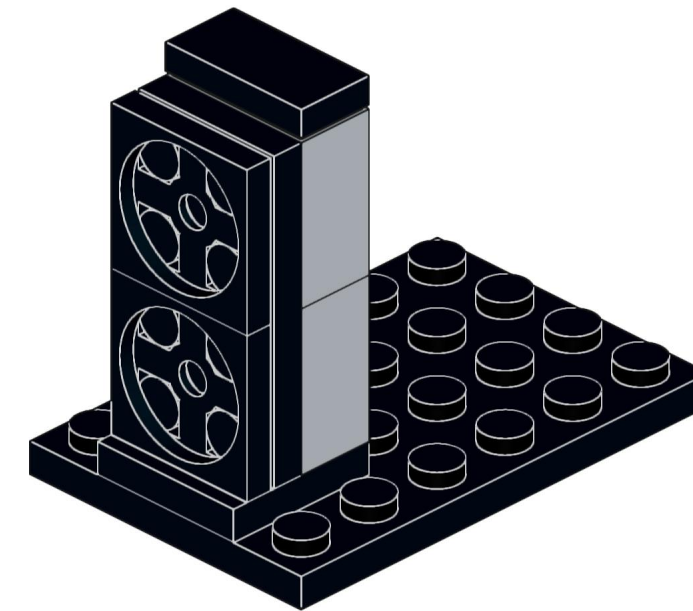
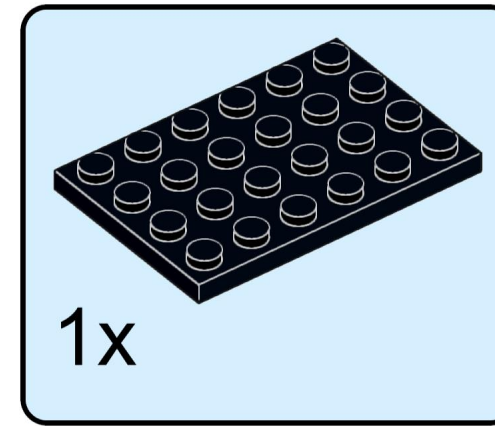
6



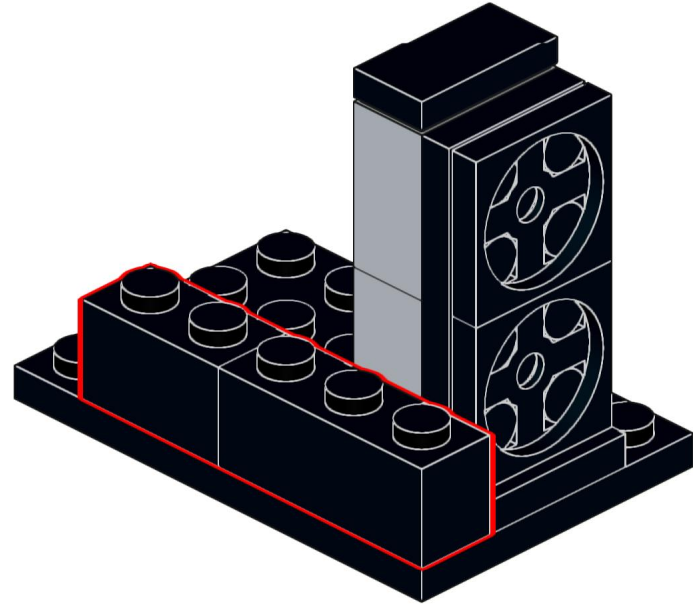
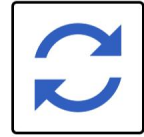
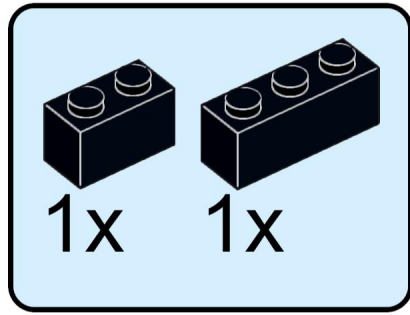
7



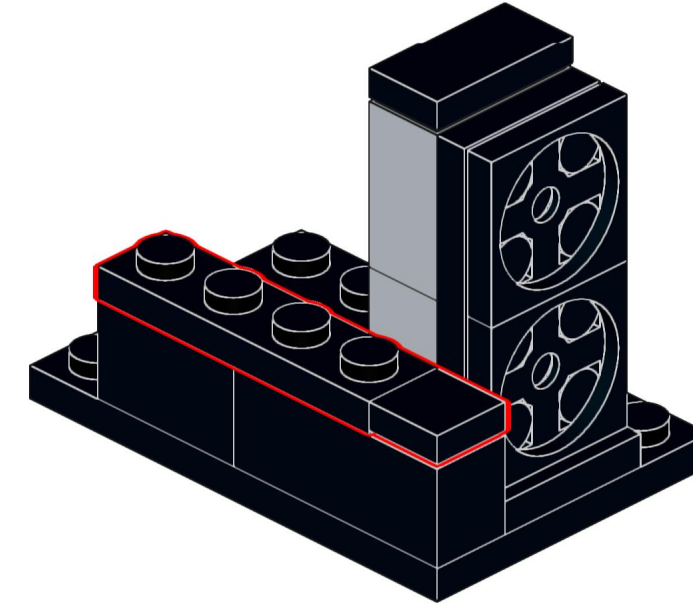
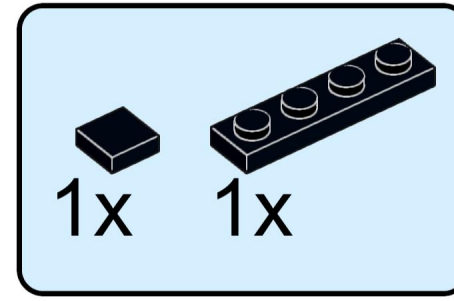
8



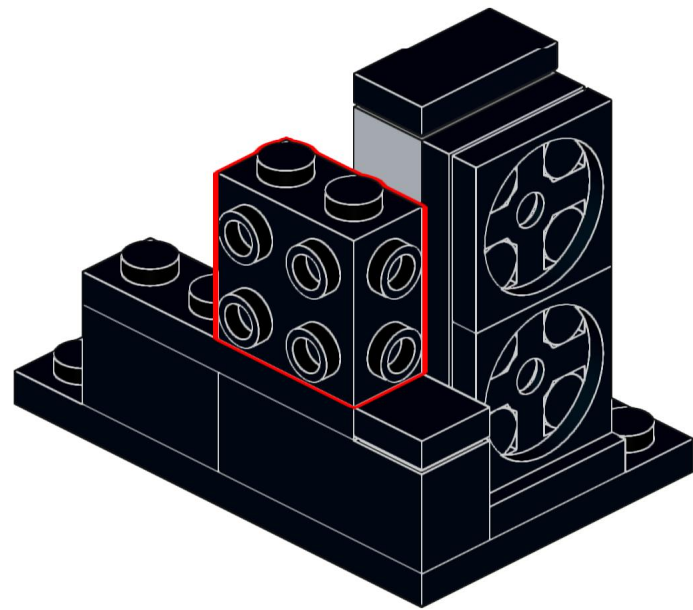
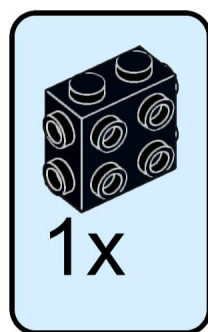
9



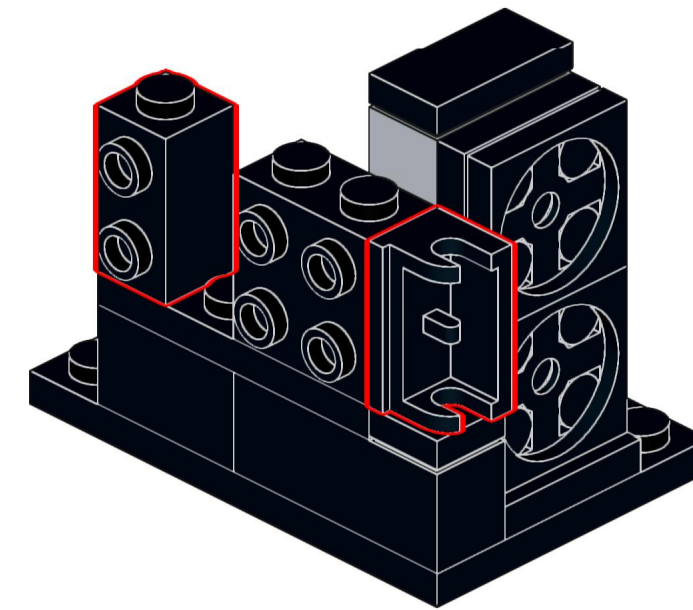
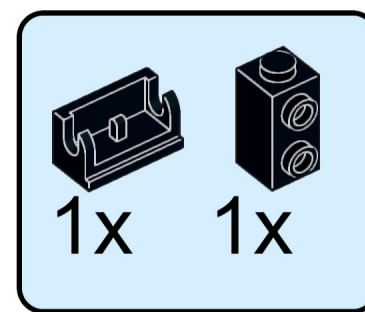
10



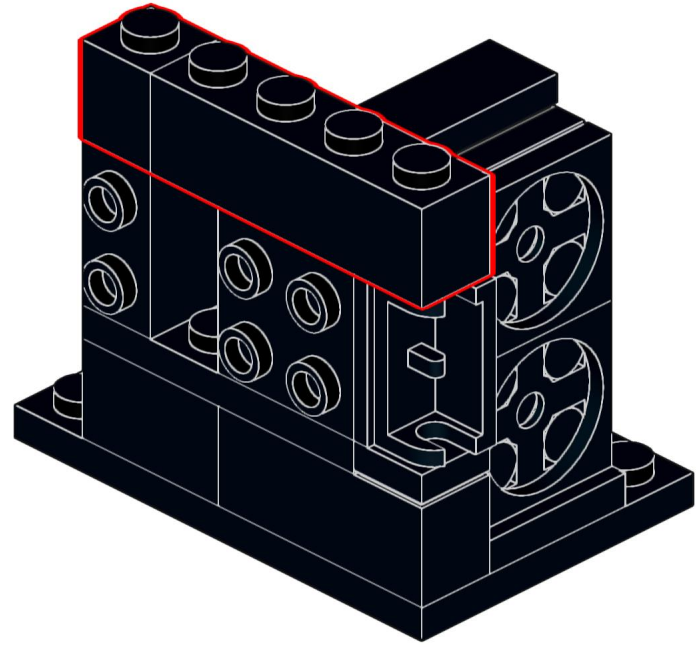
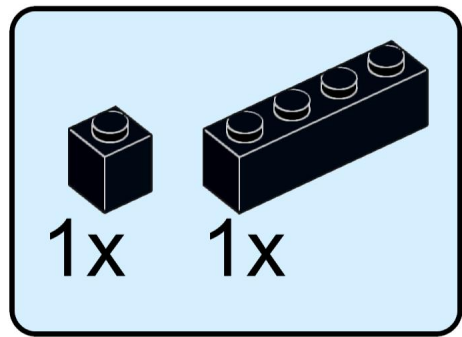
11



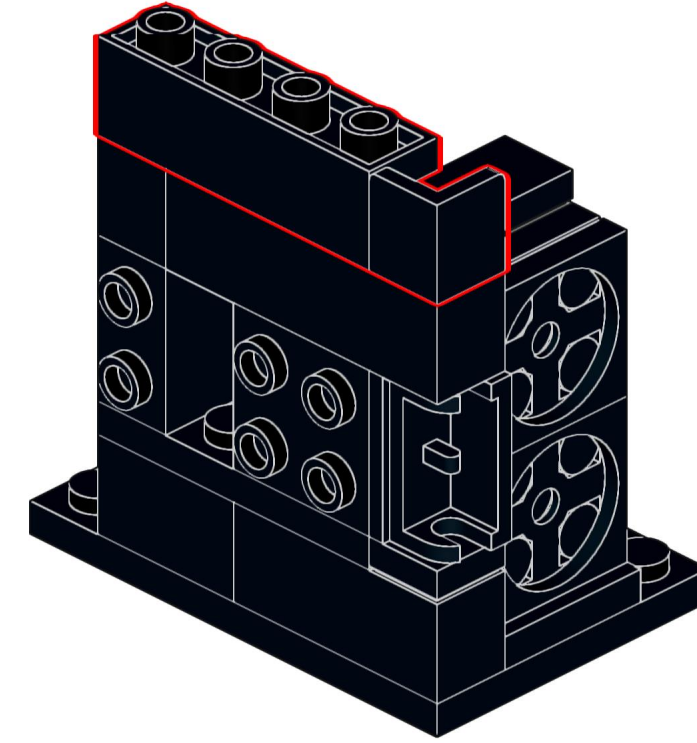
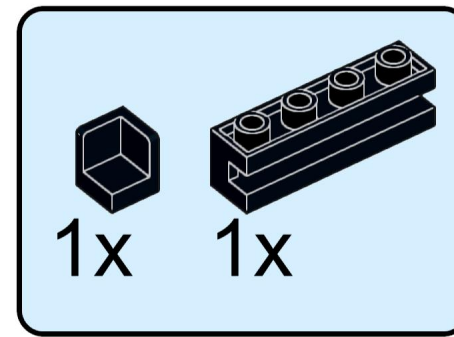
12



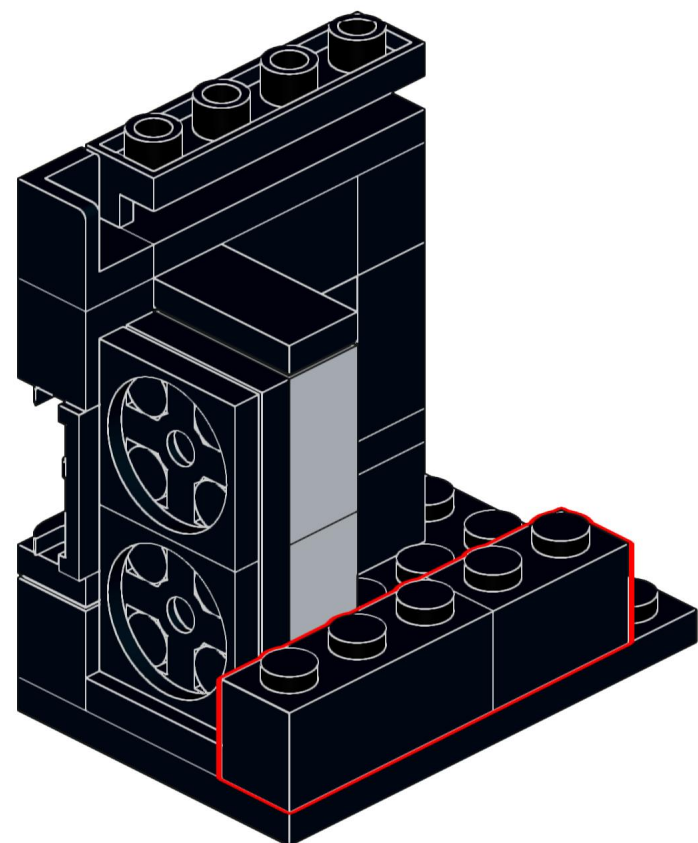
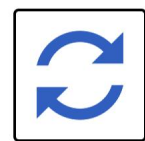
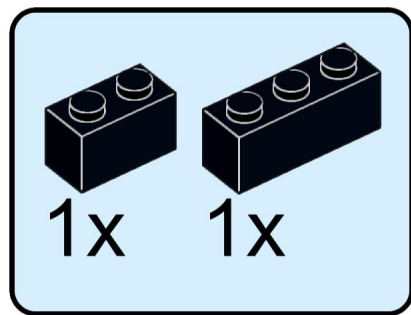
13



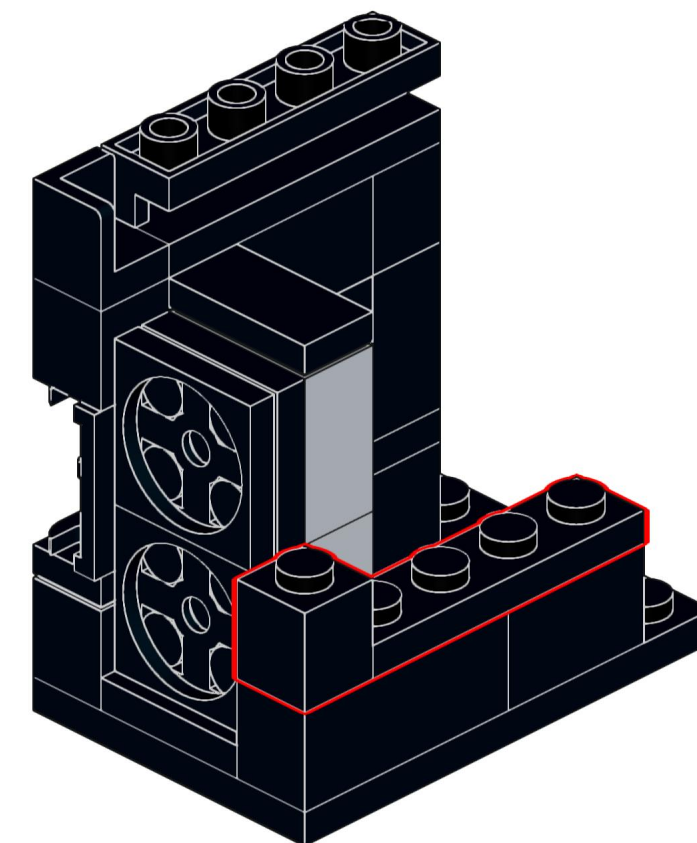
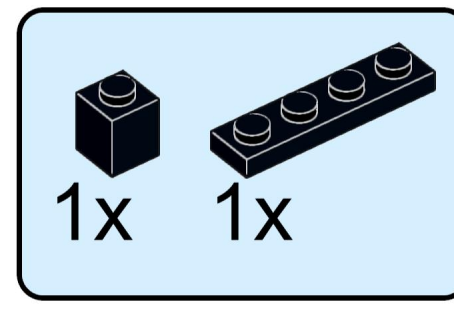
14



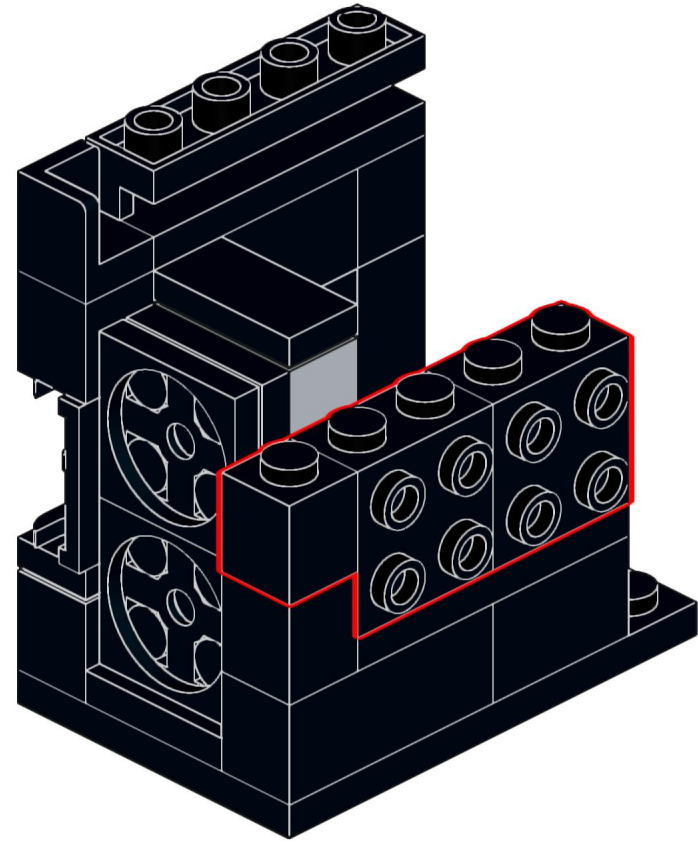
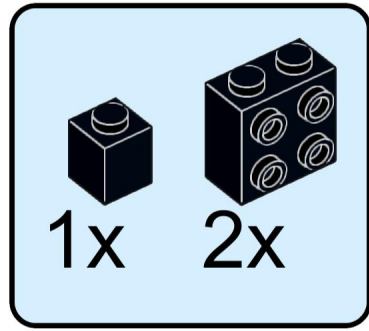
15



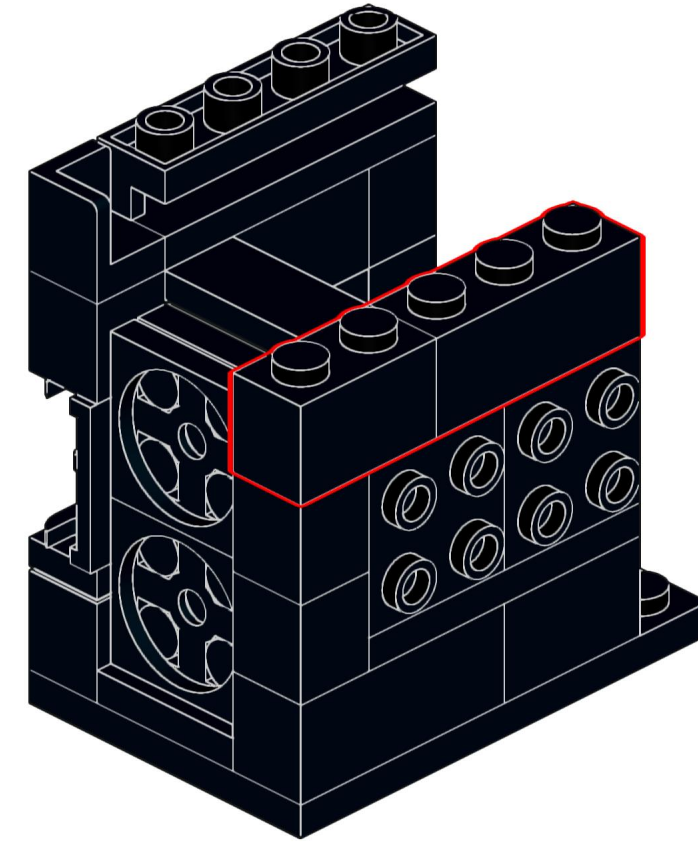
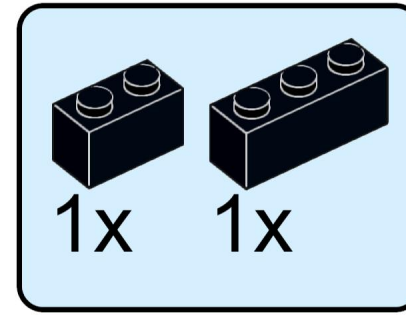
16



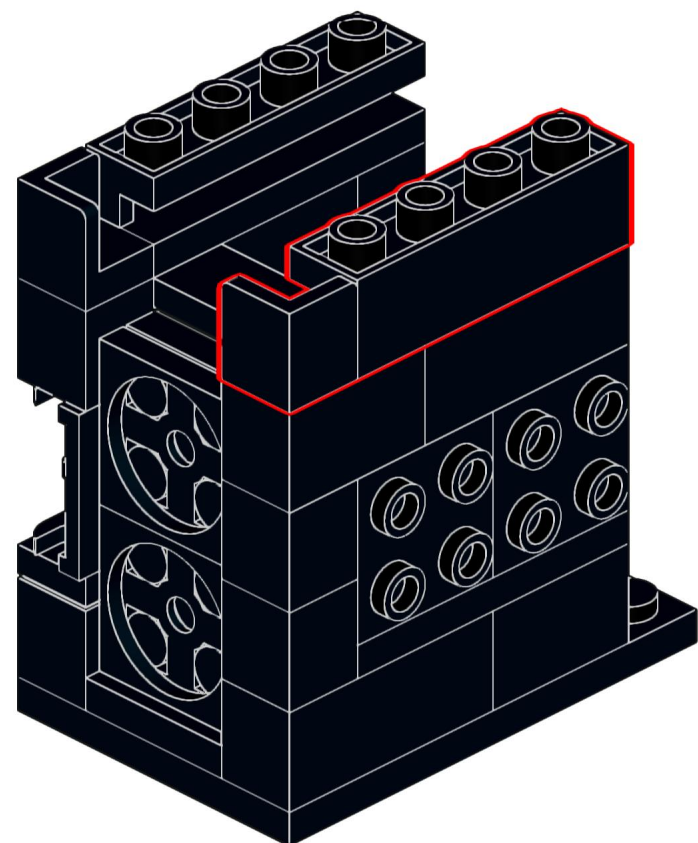
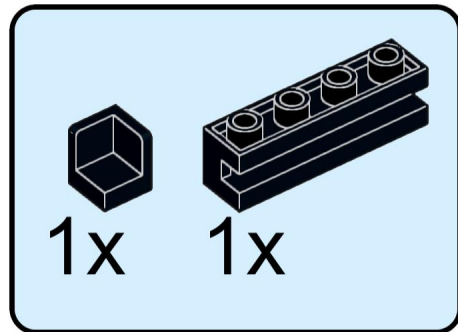
17



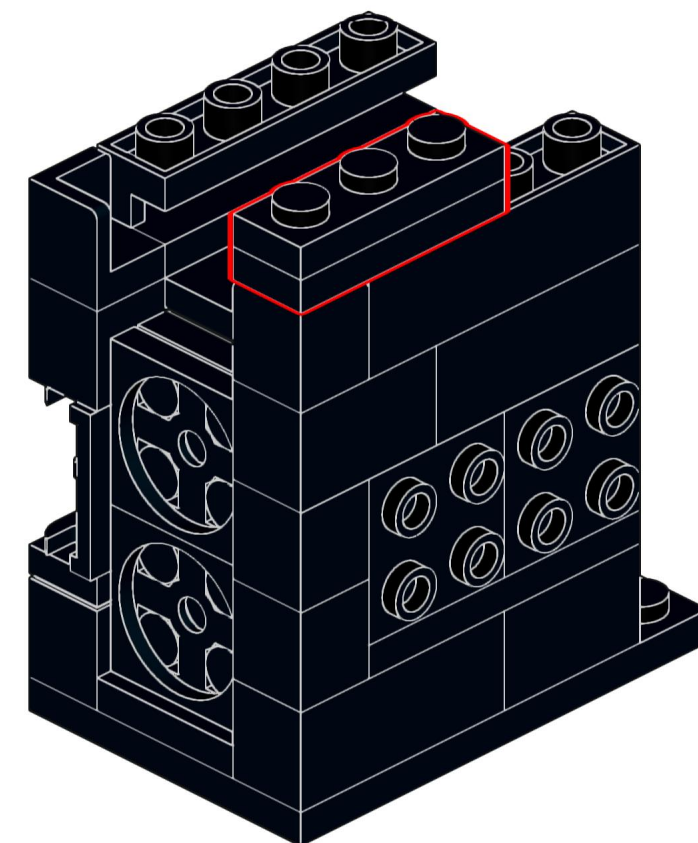
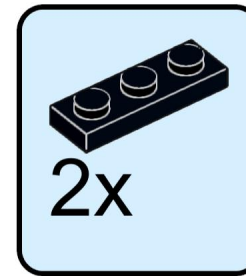
18



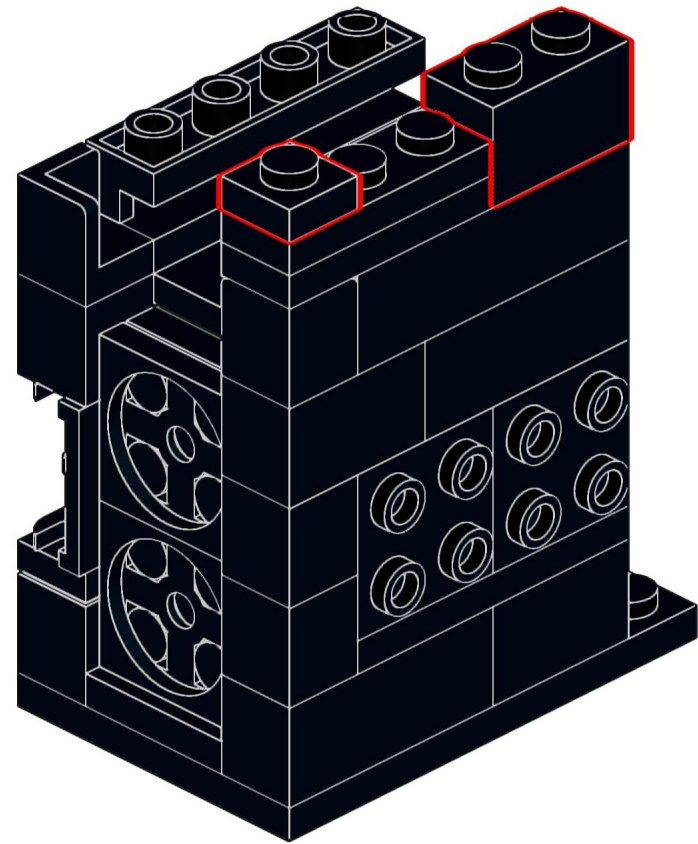
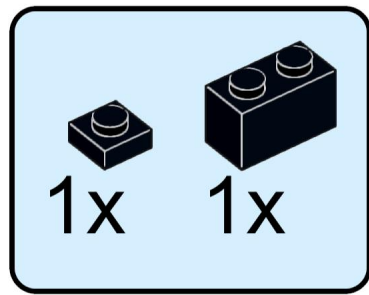
19



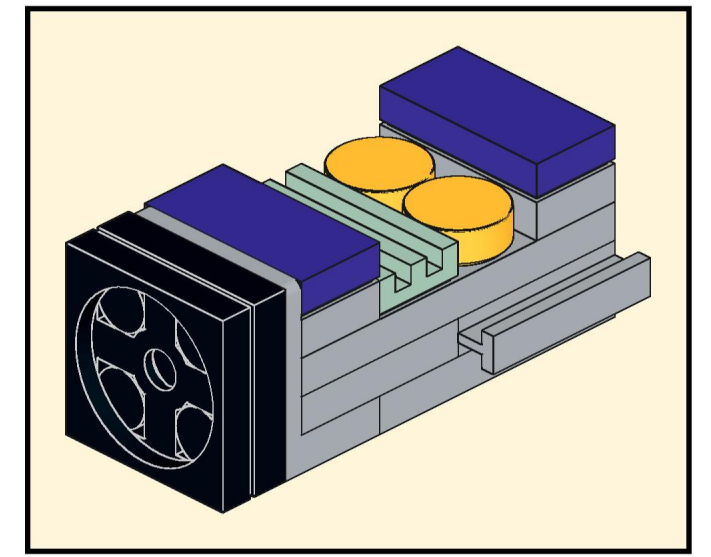
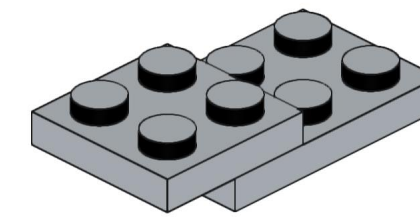
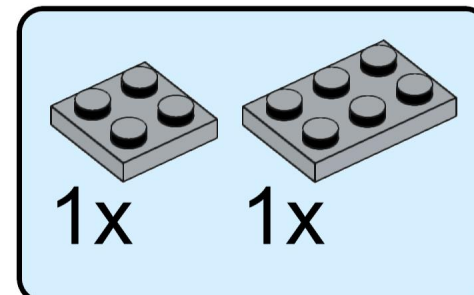
20



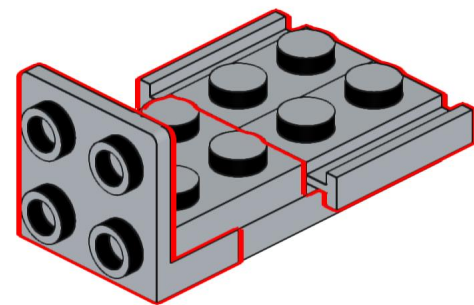
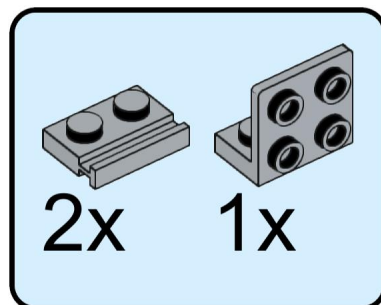
21



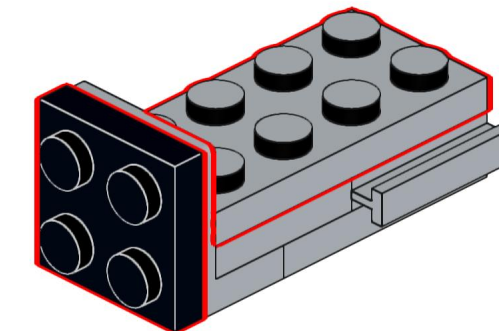
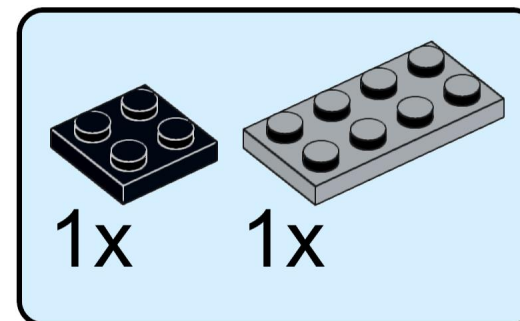
22



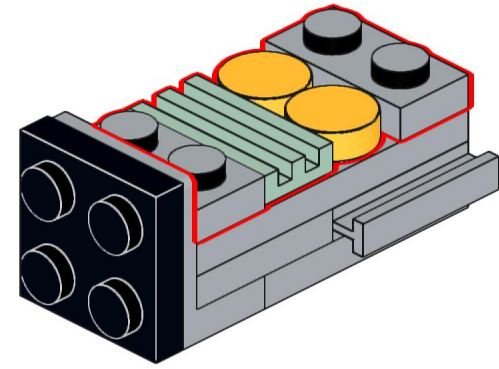
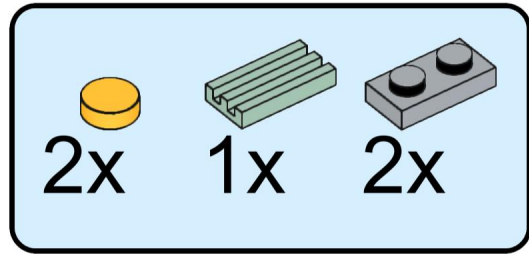
23



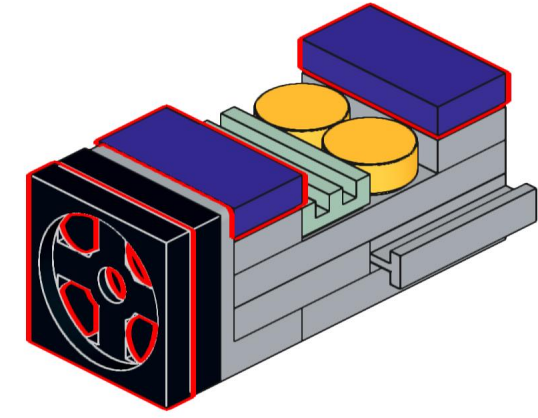
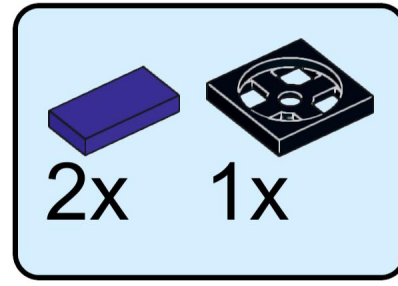
24



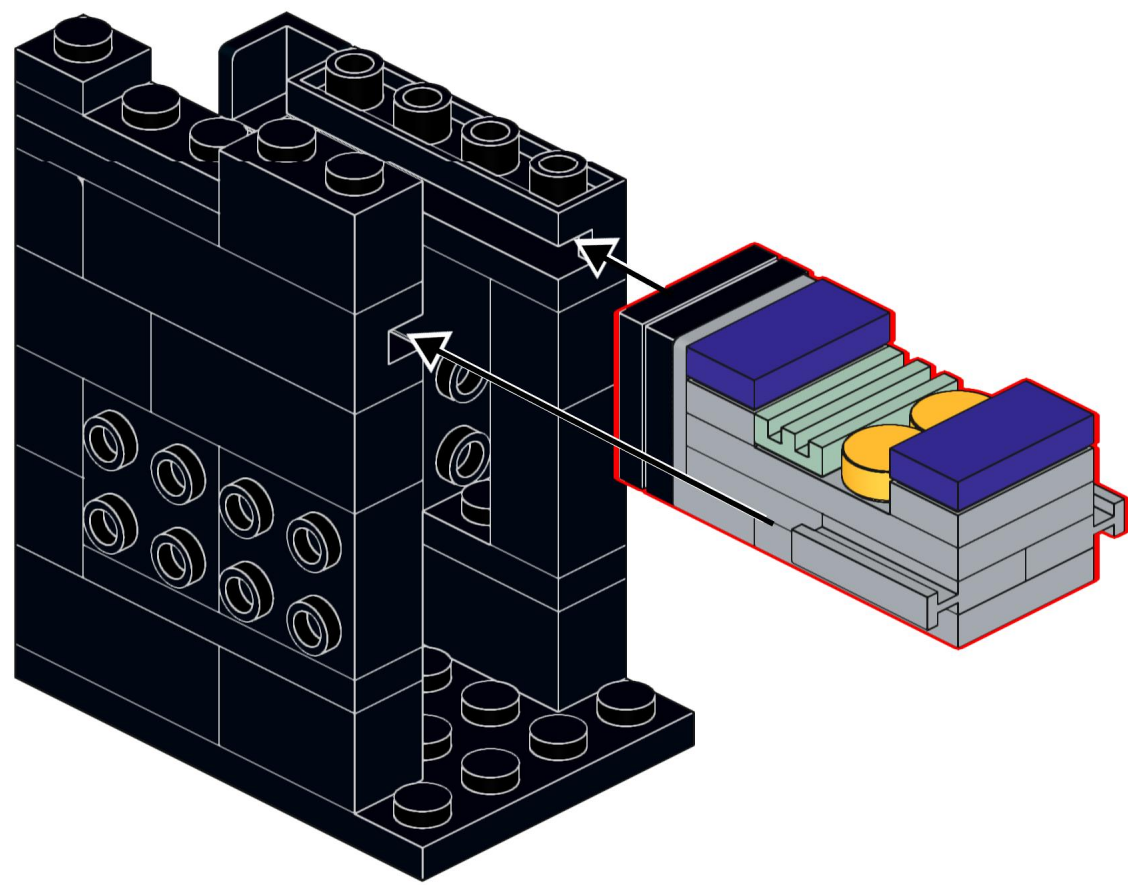
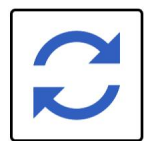
25



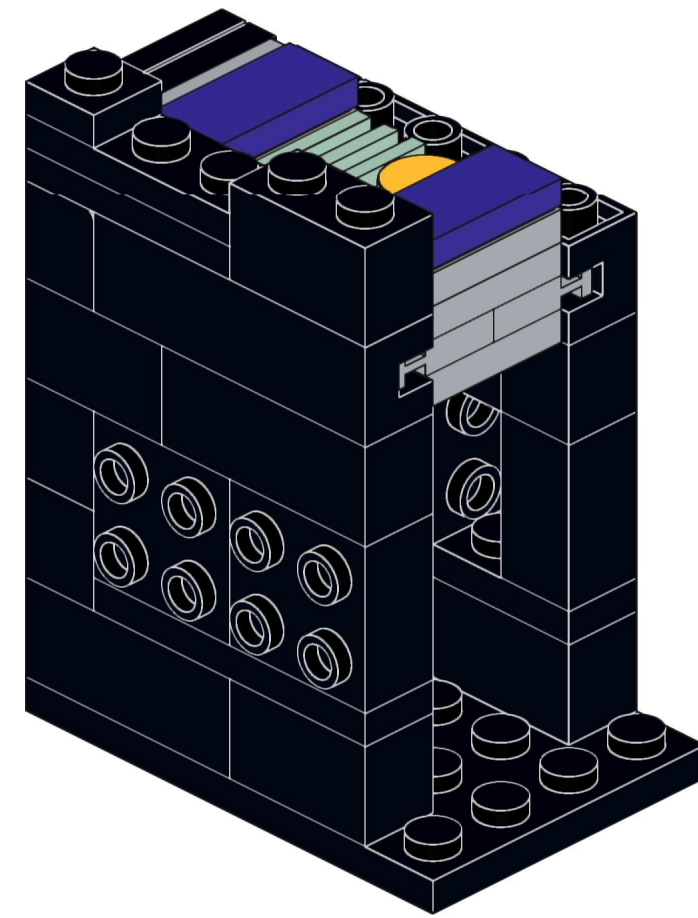
26



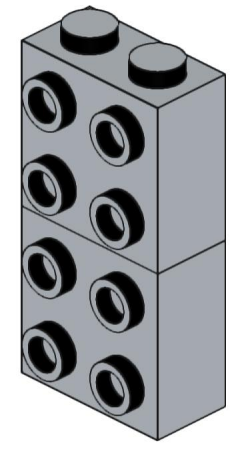
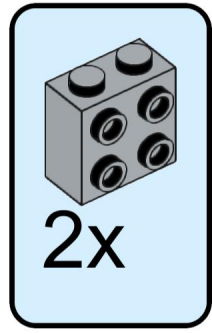
27



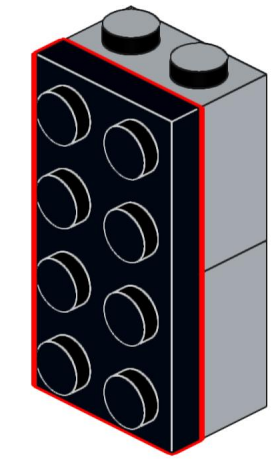
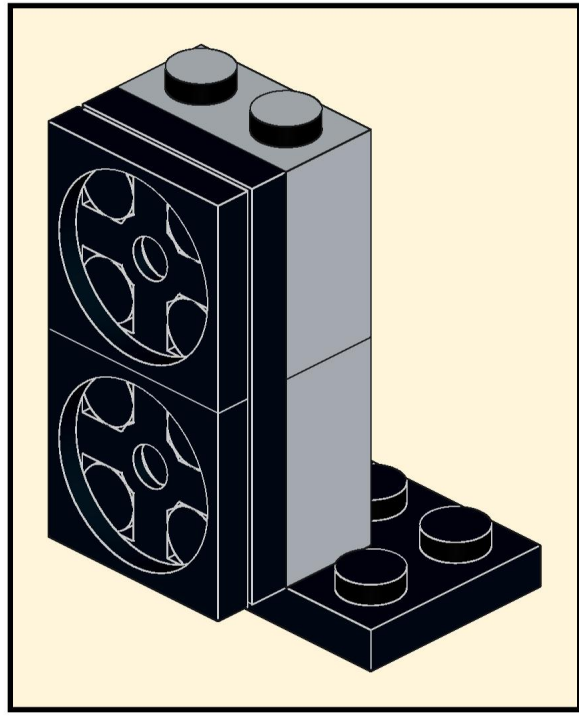
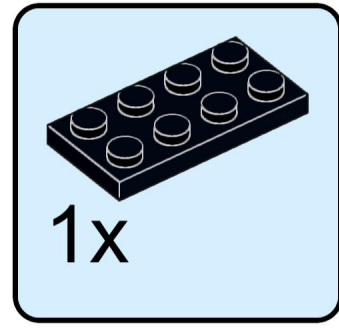
28



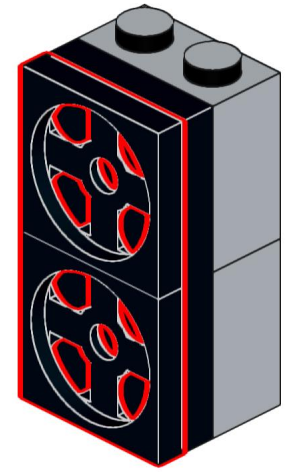
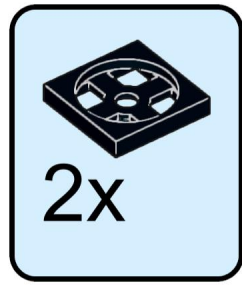
29



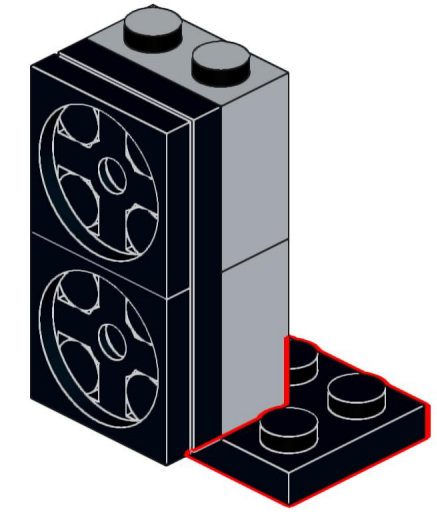
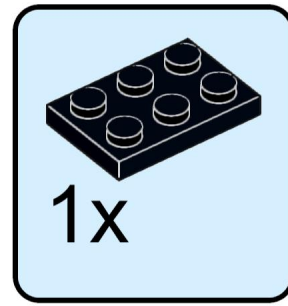
30



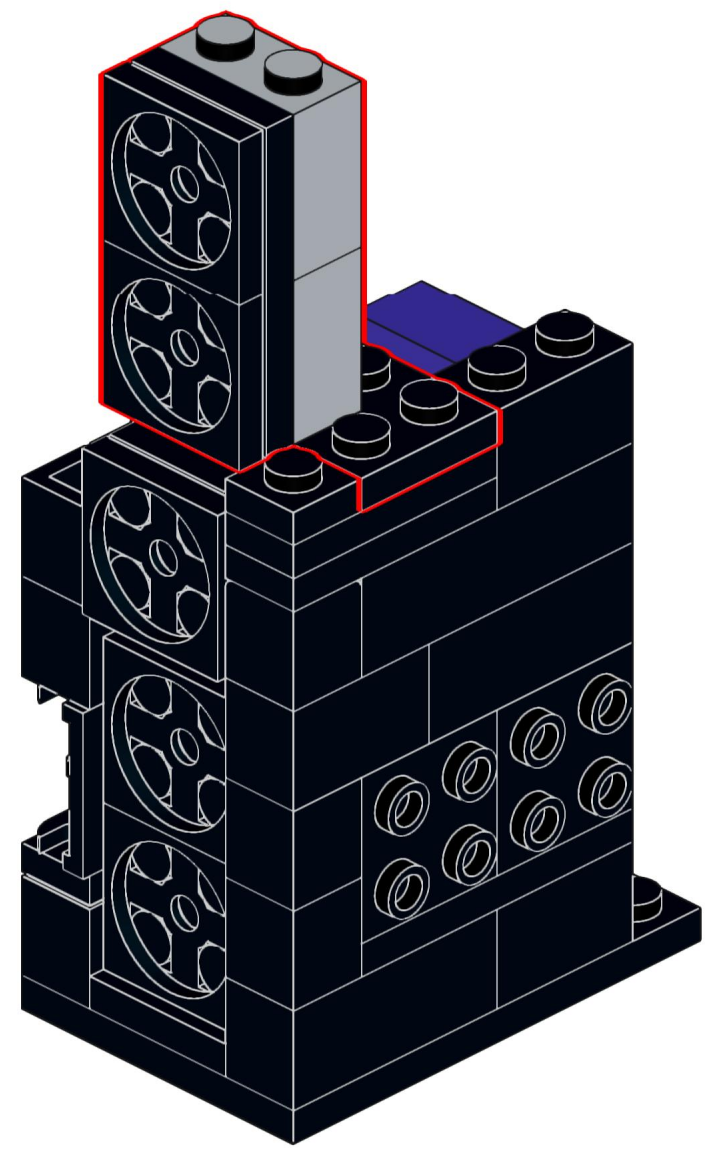
31



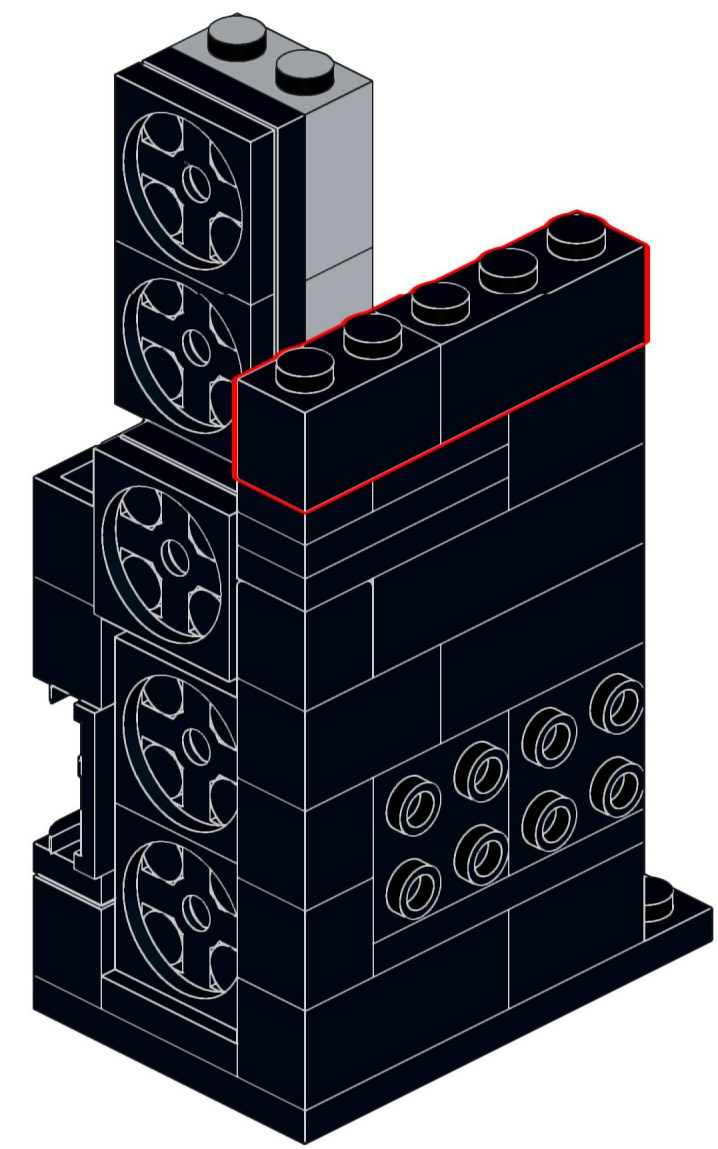
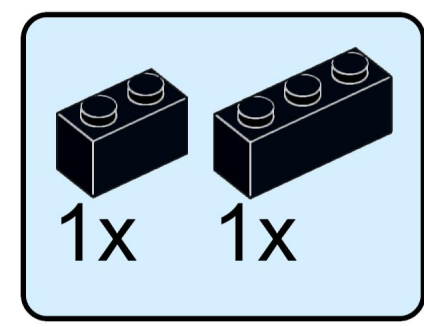
32



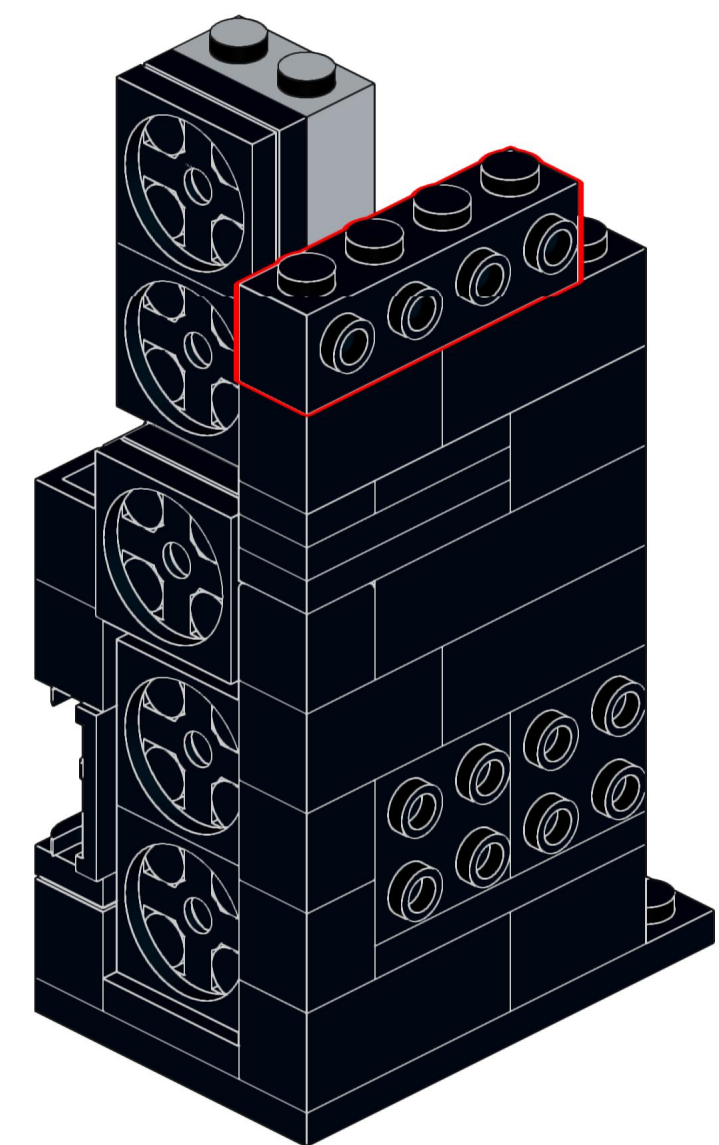
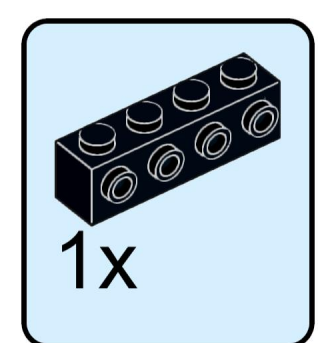
33



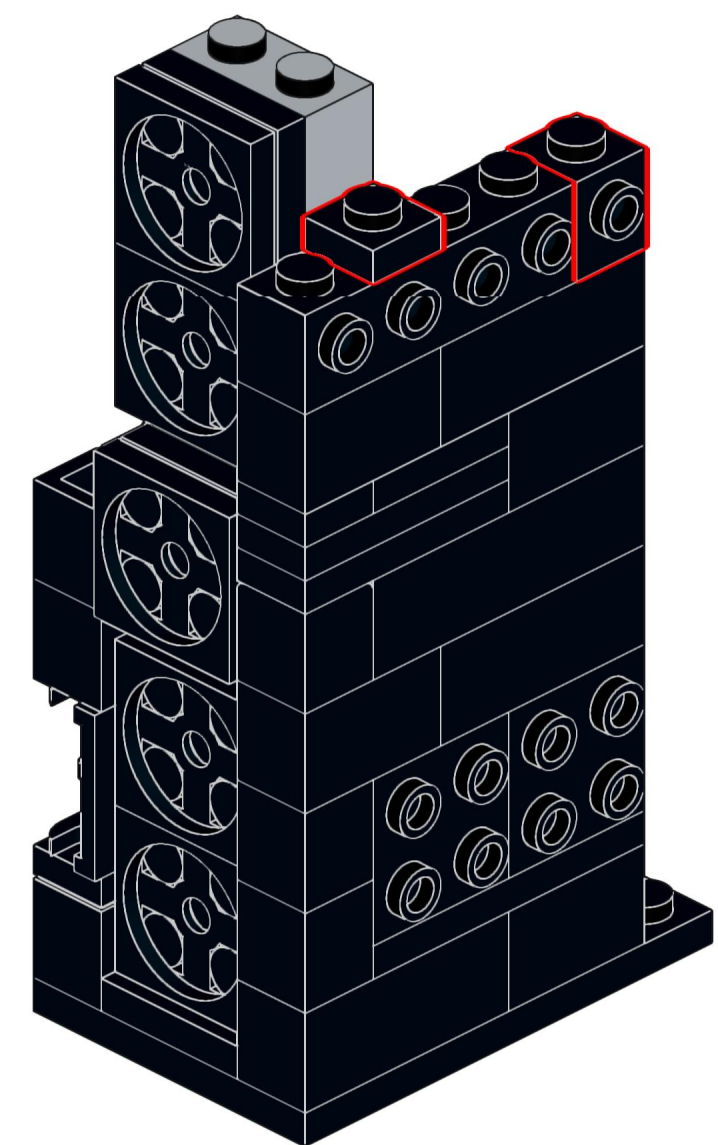
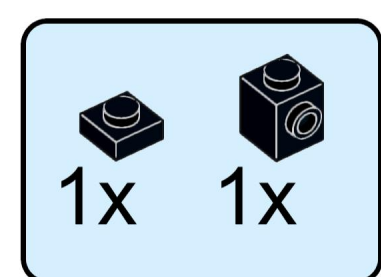
34



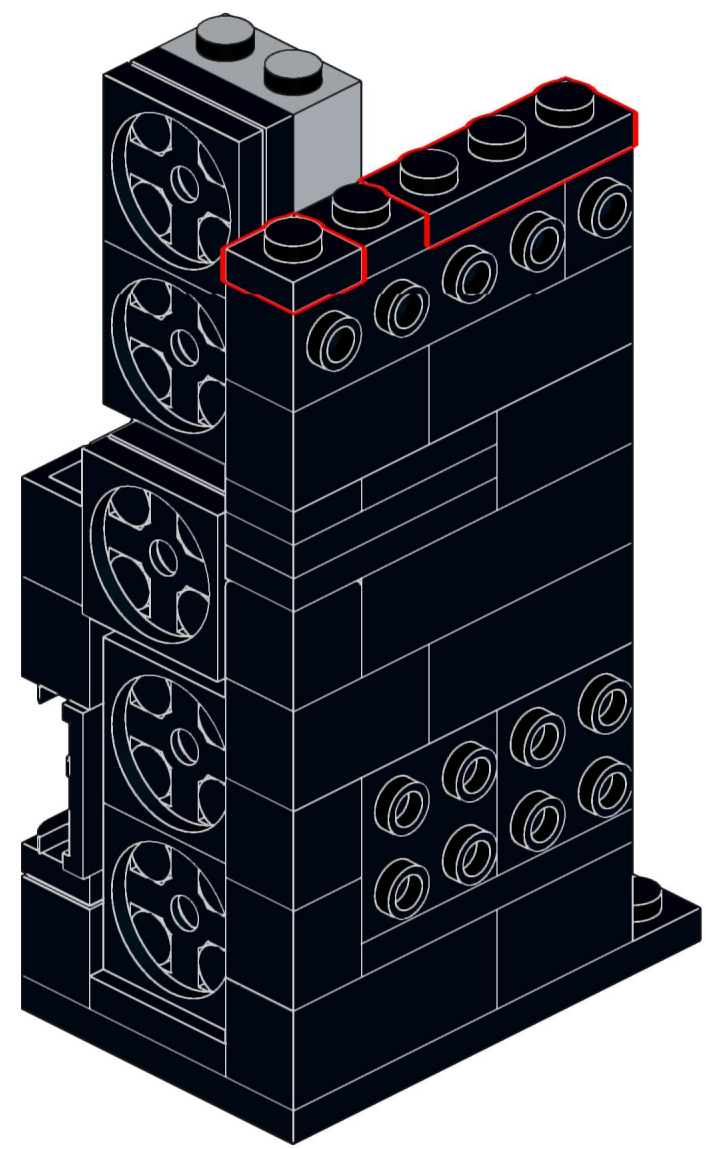
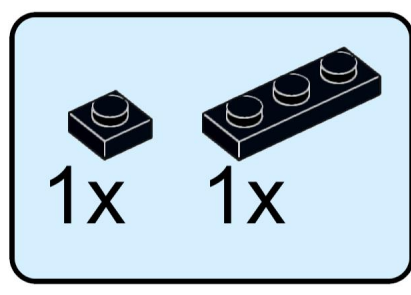
35



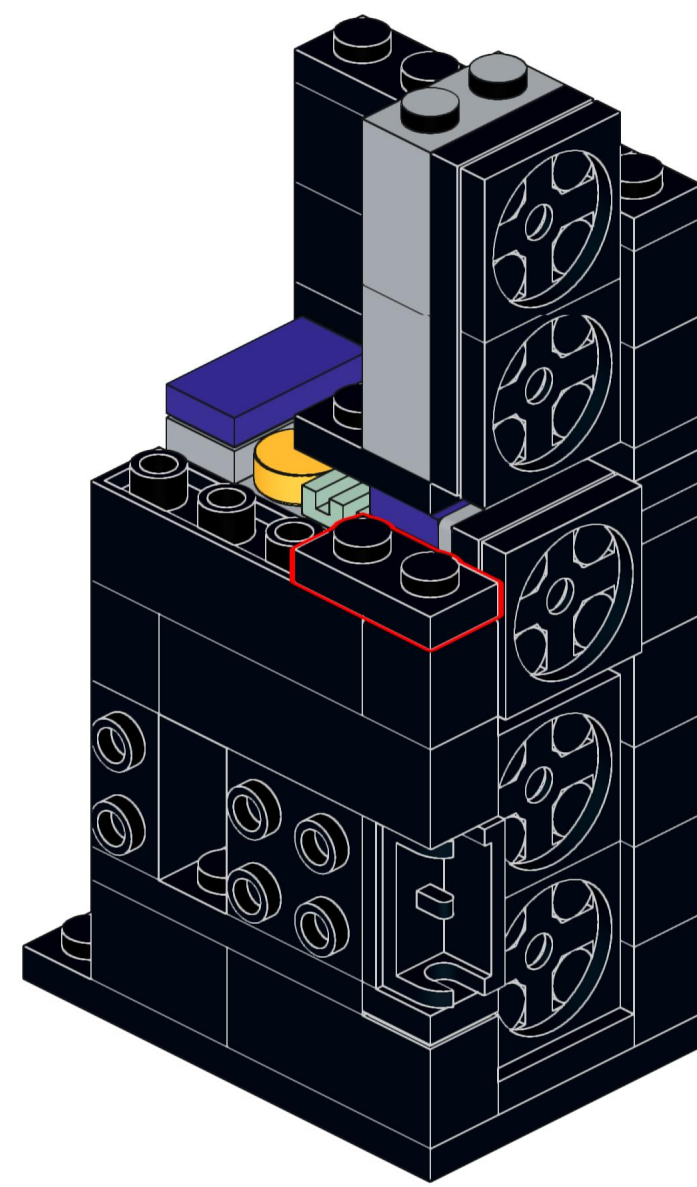
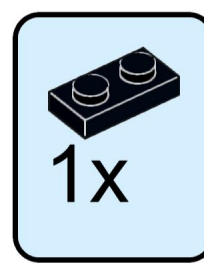
36



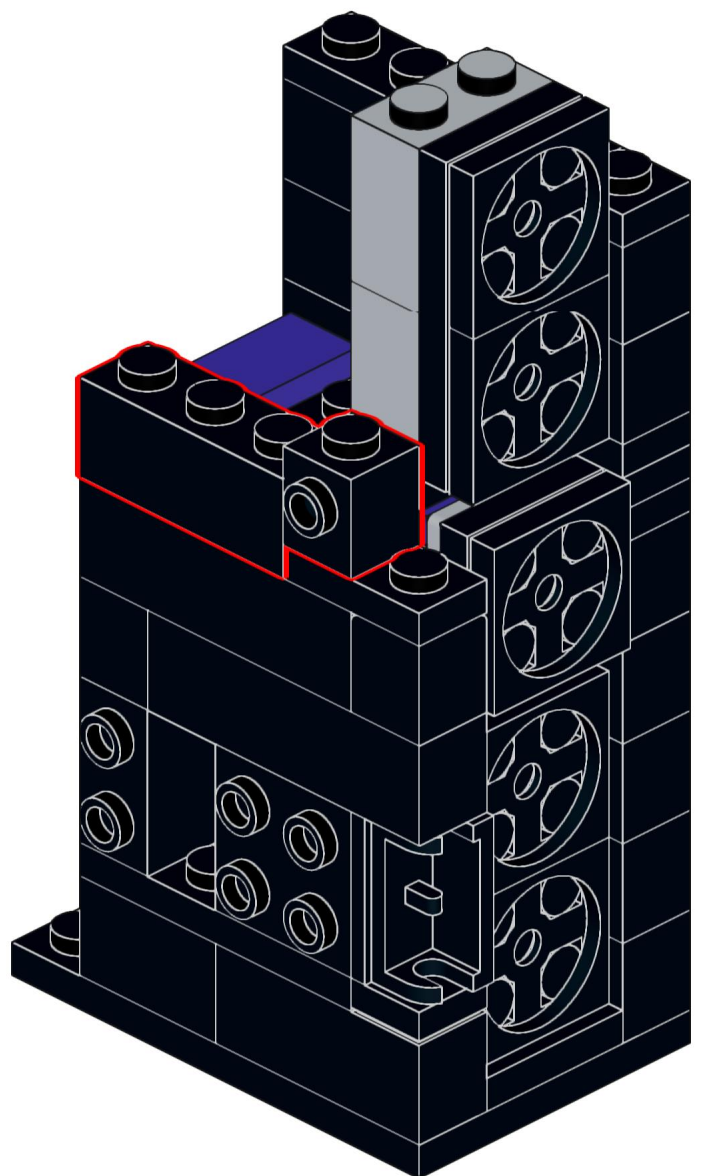
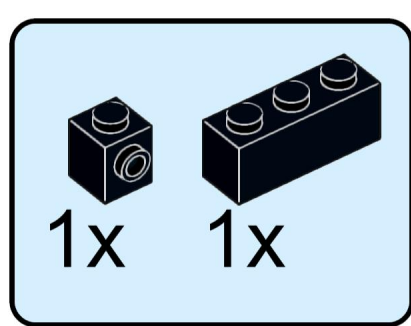
37



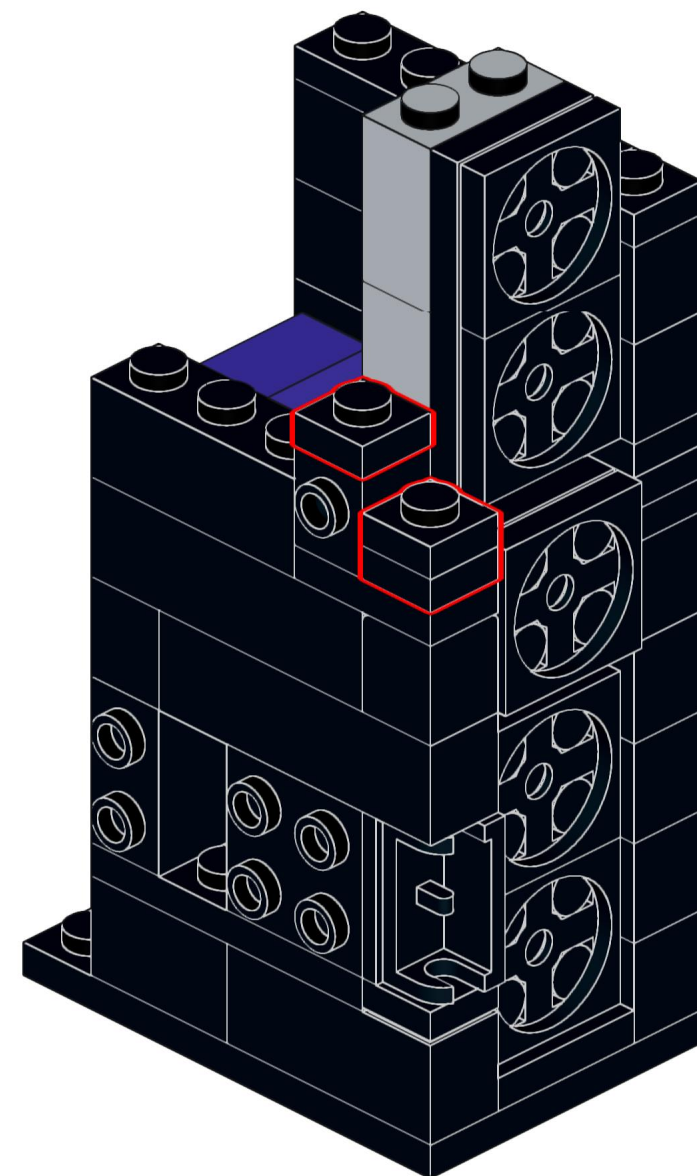
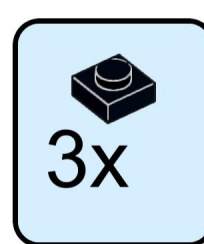
38



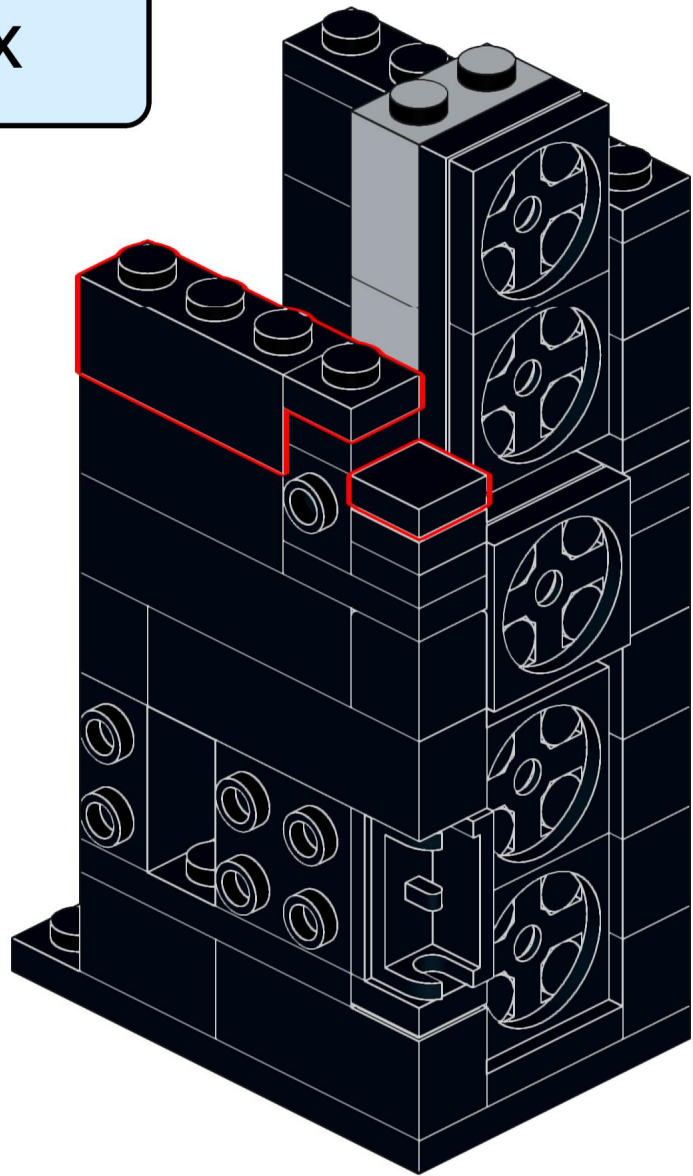
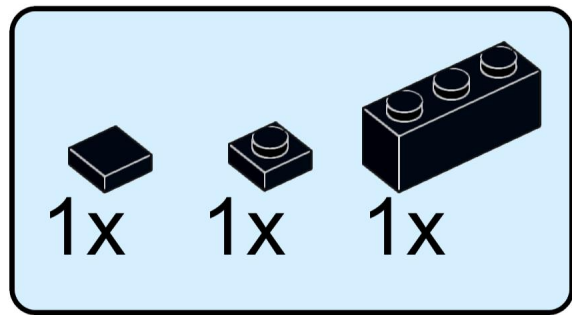
39



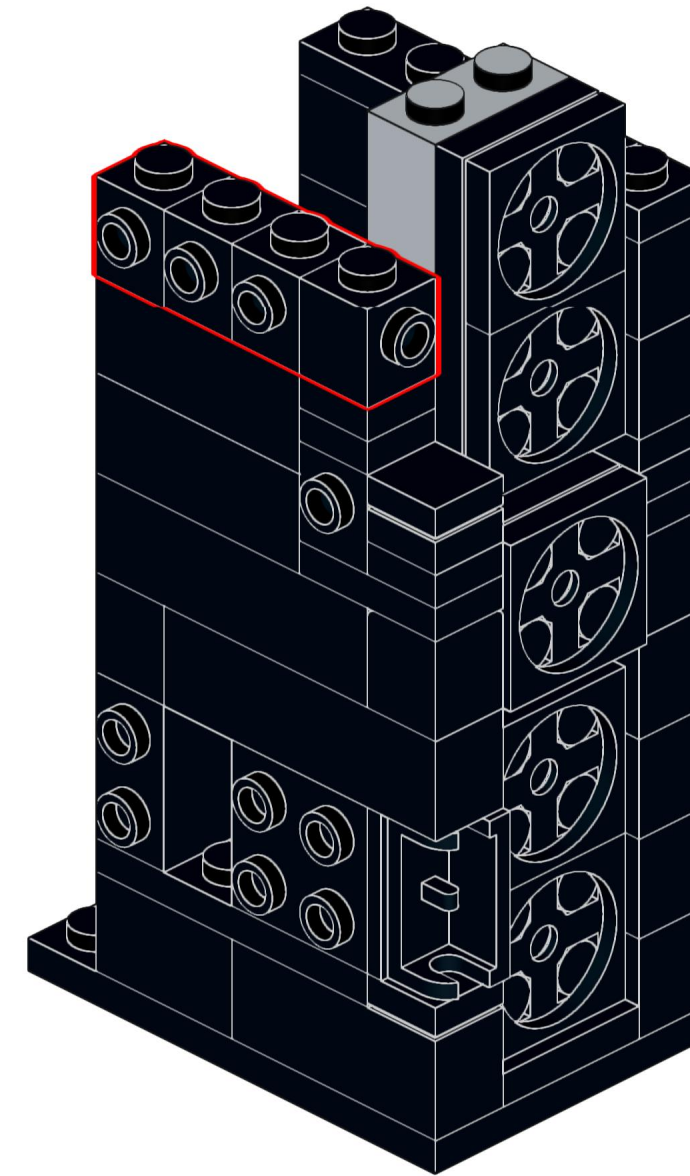
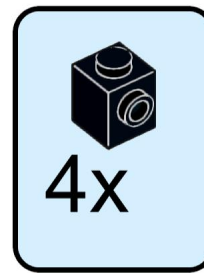
40



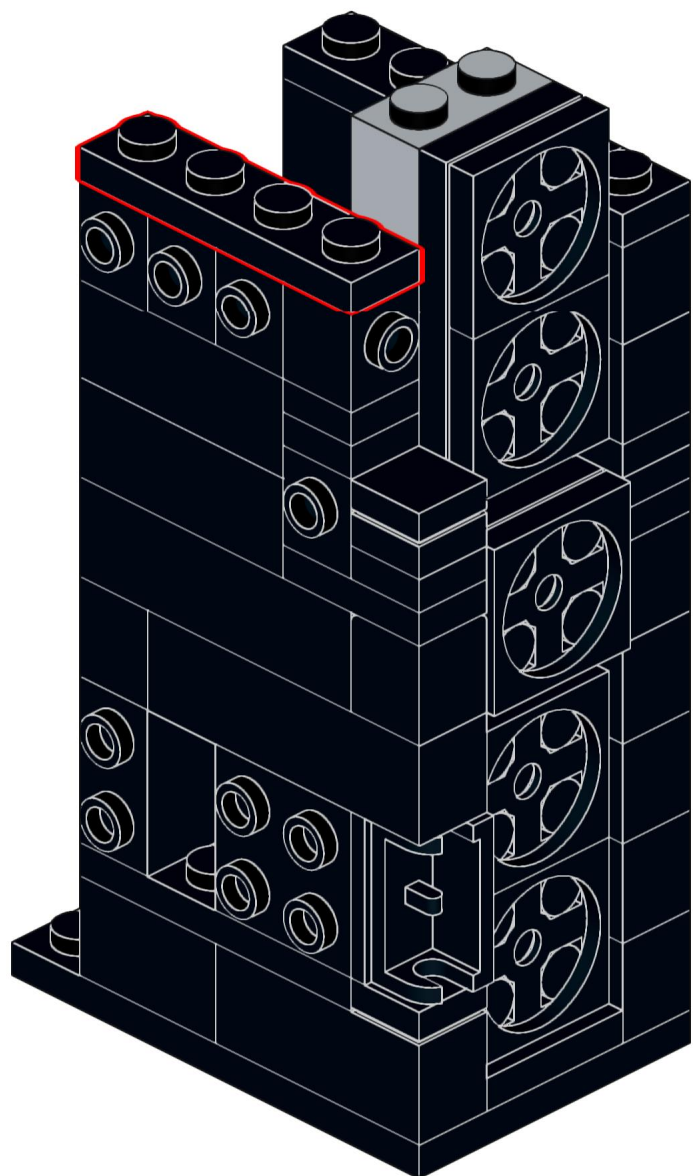
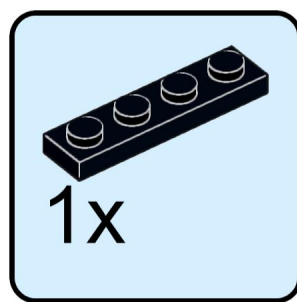
41



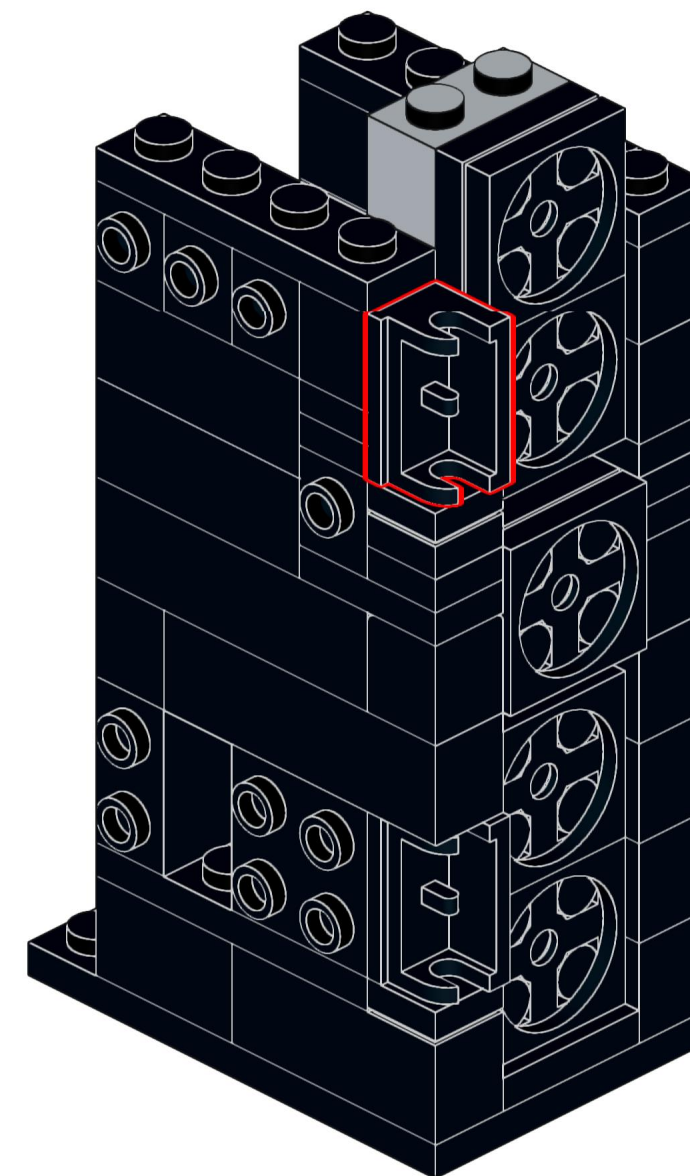
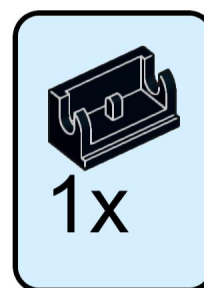
42



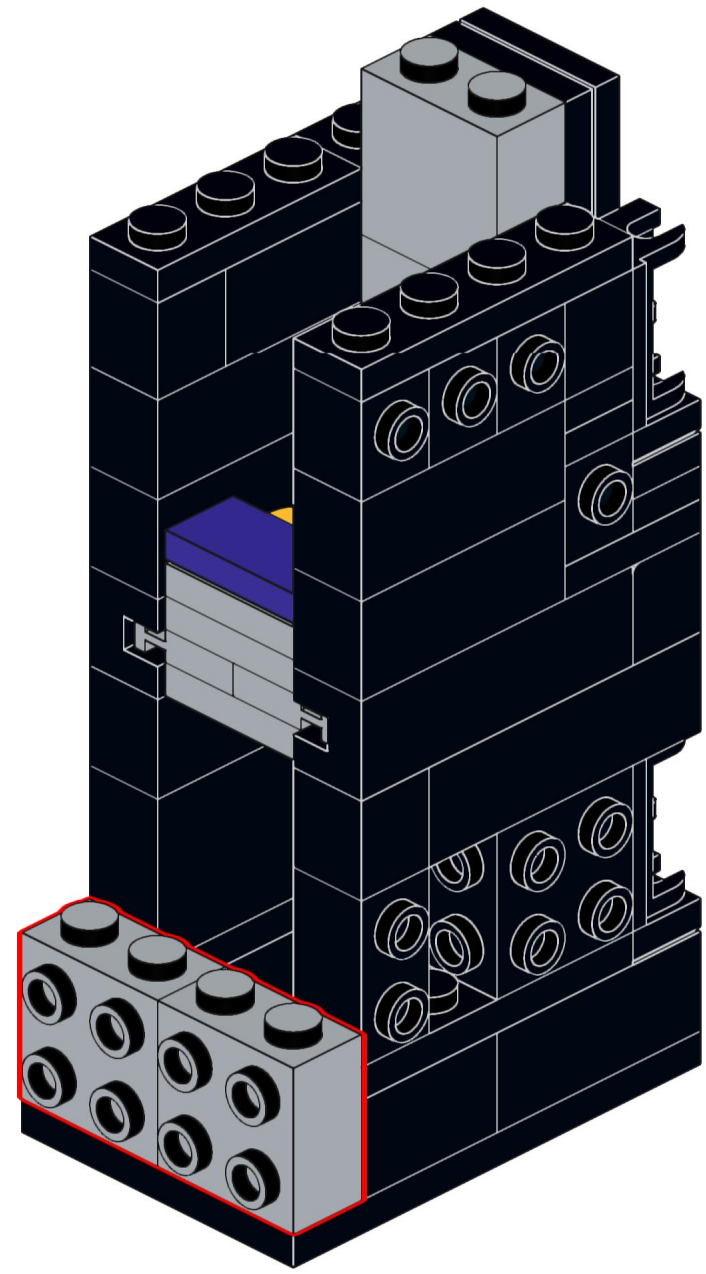
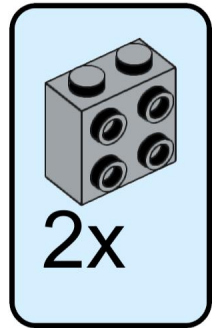
43



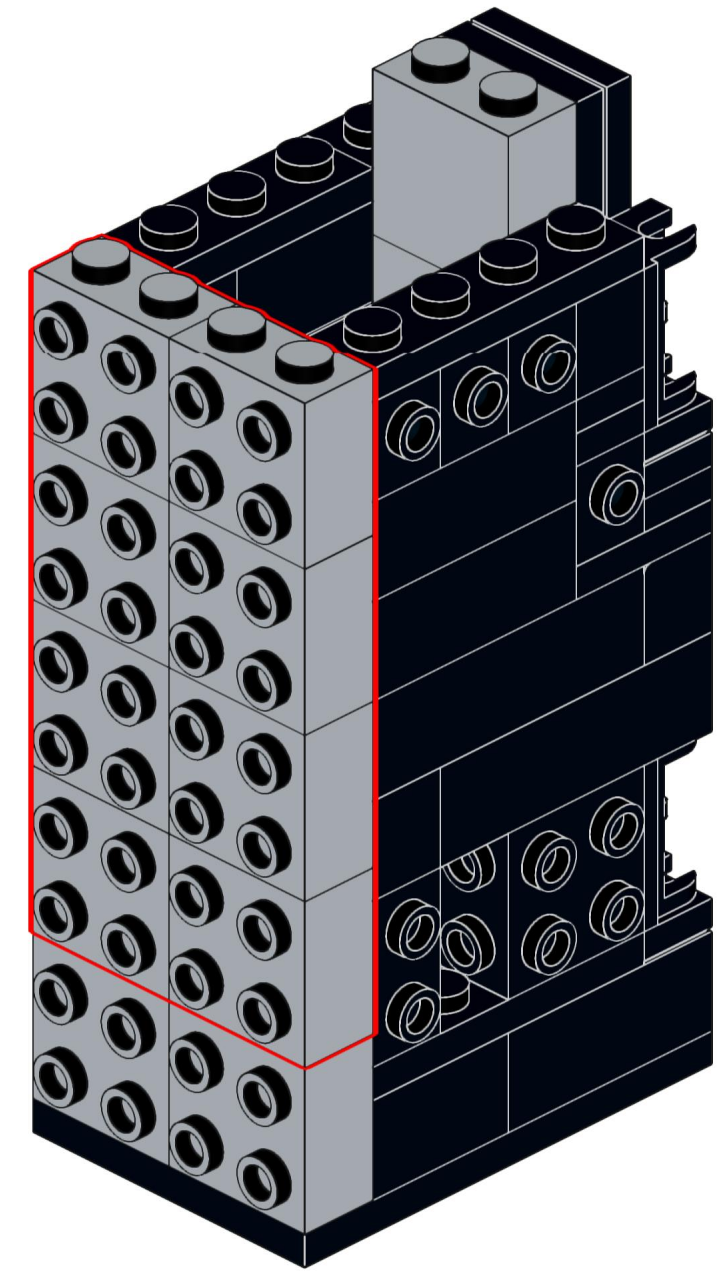
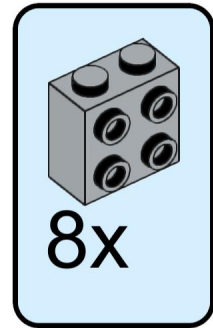
44



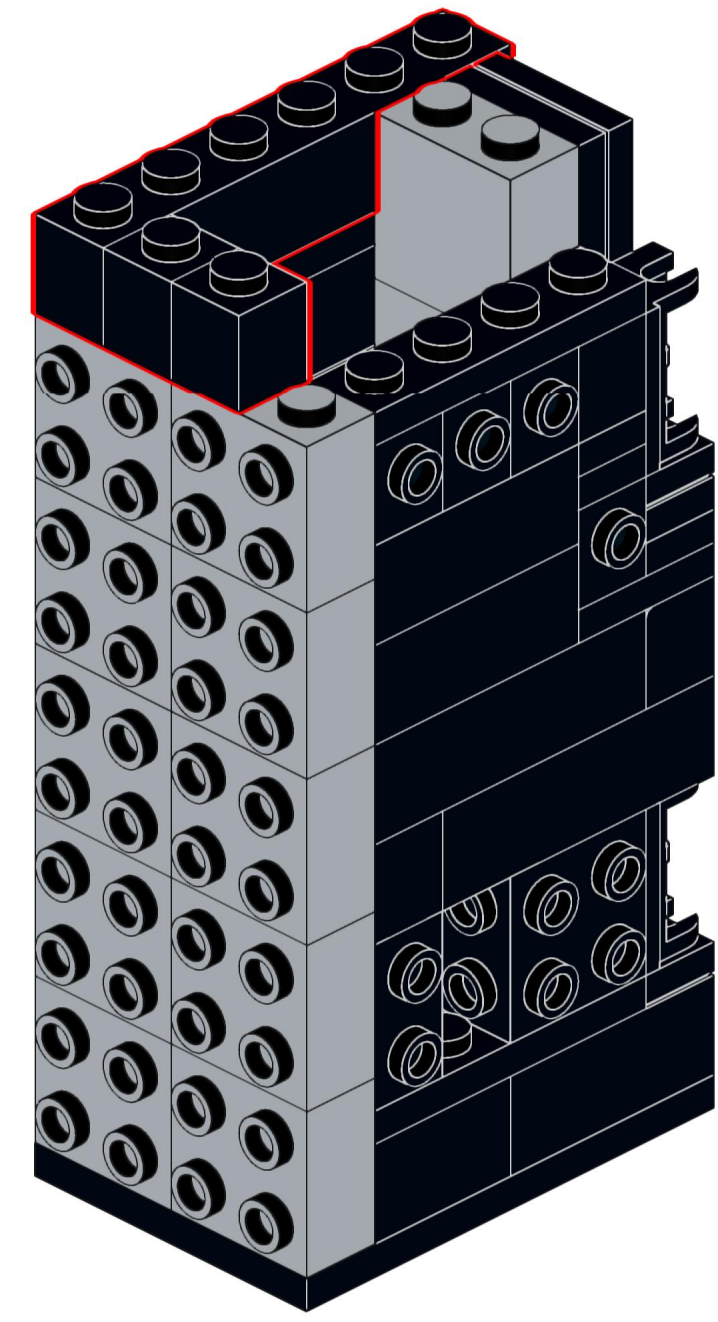
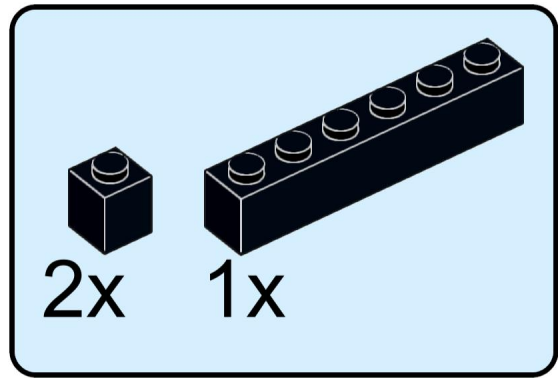
45



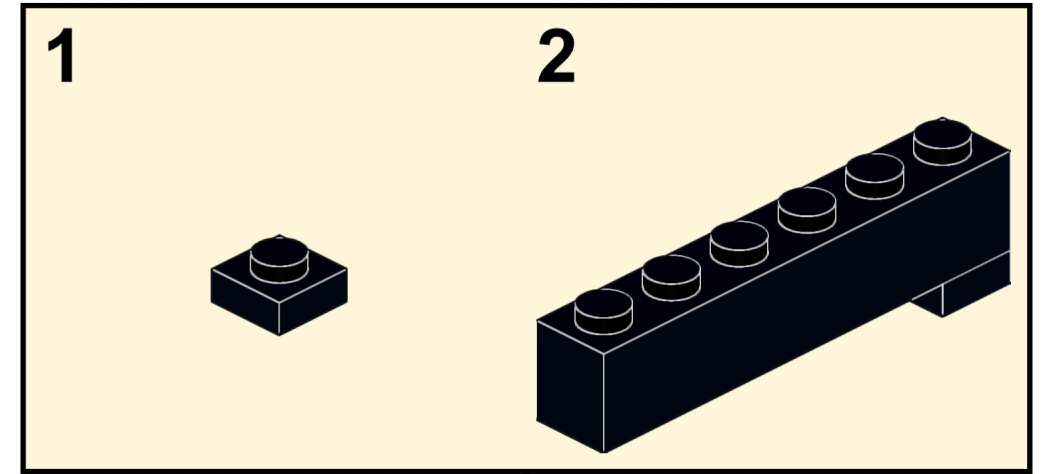
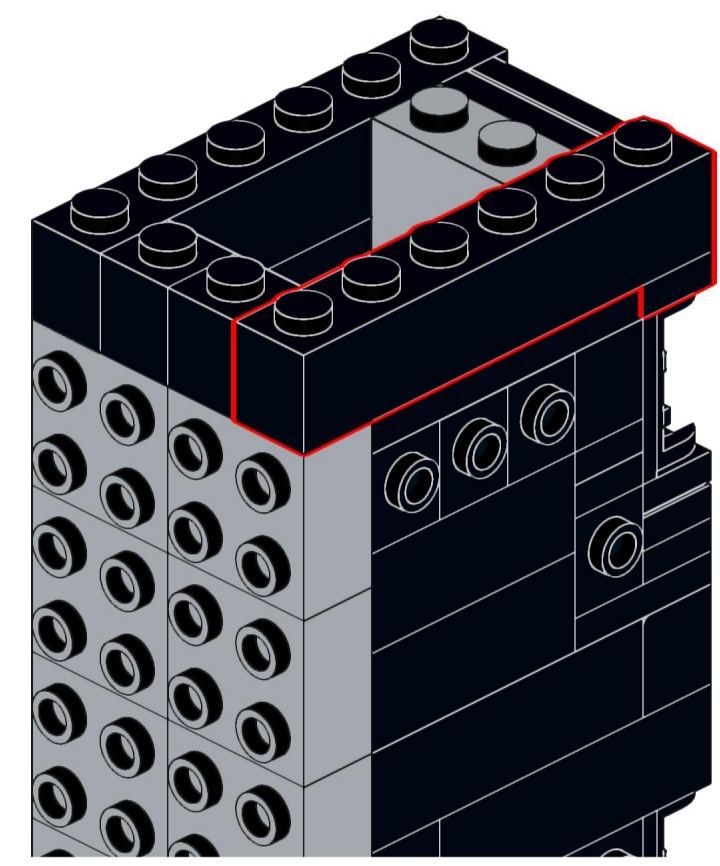
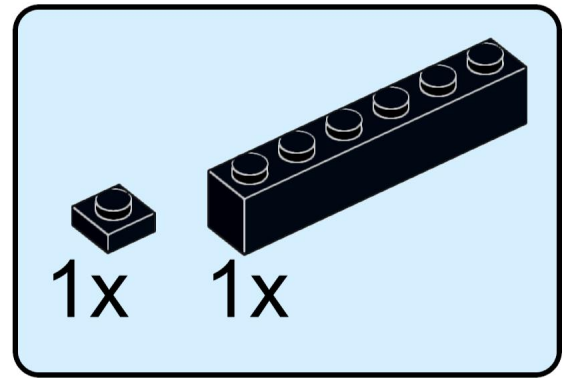
46



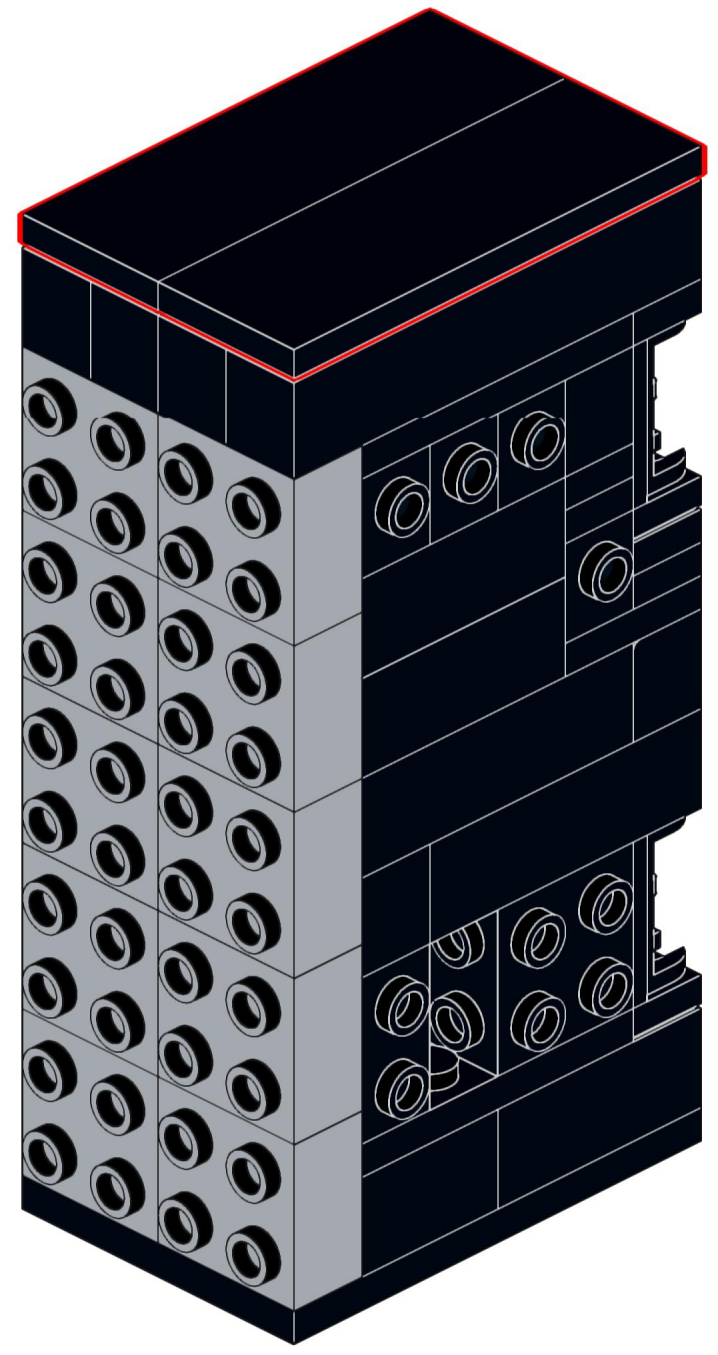
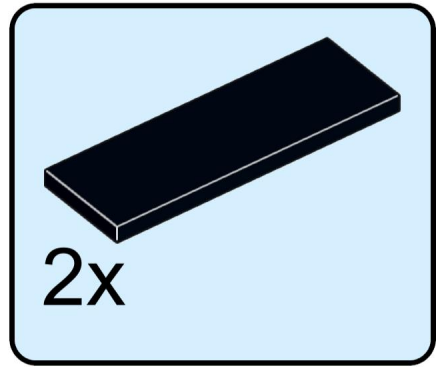
47



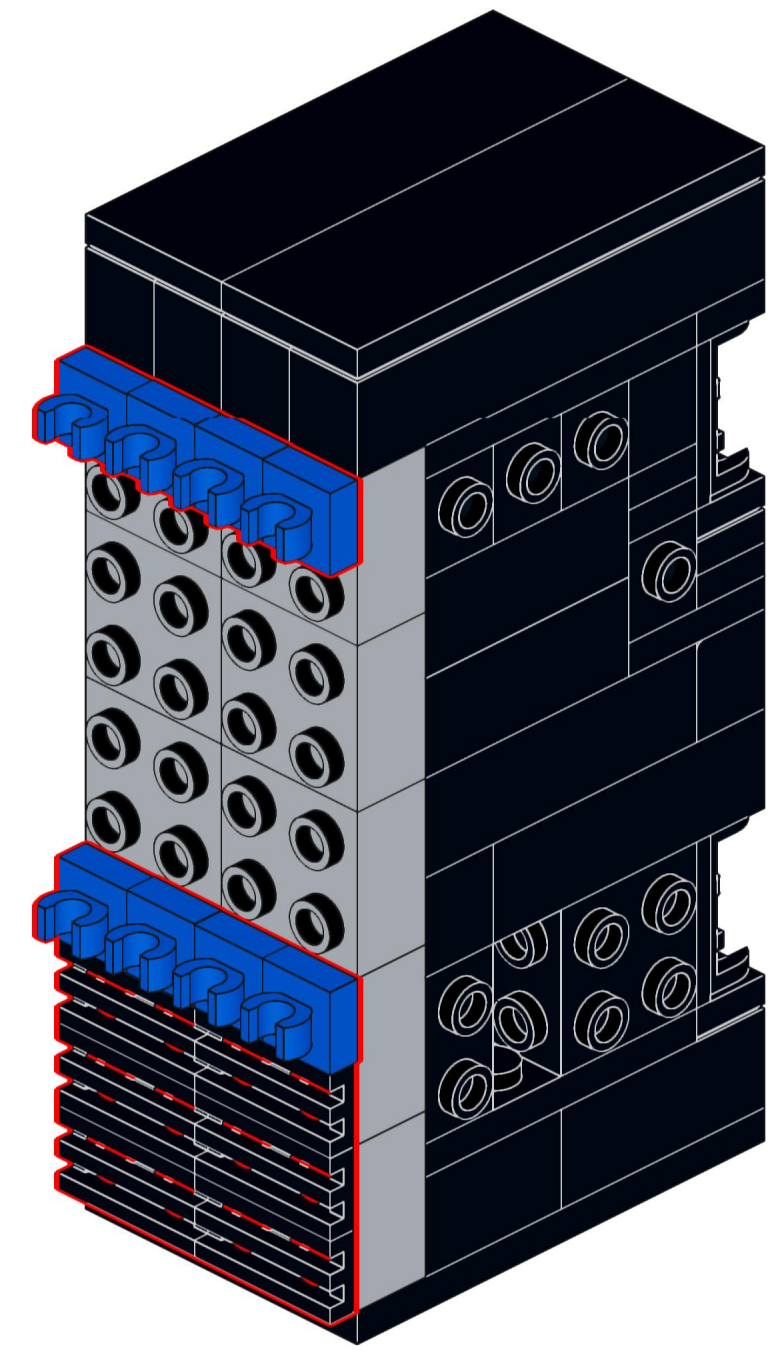
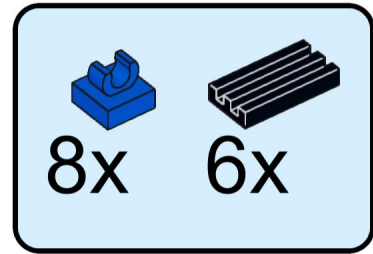
48



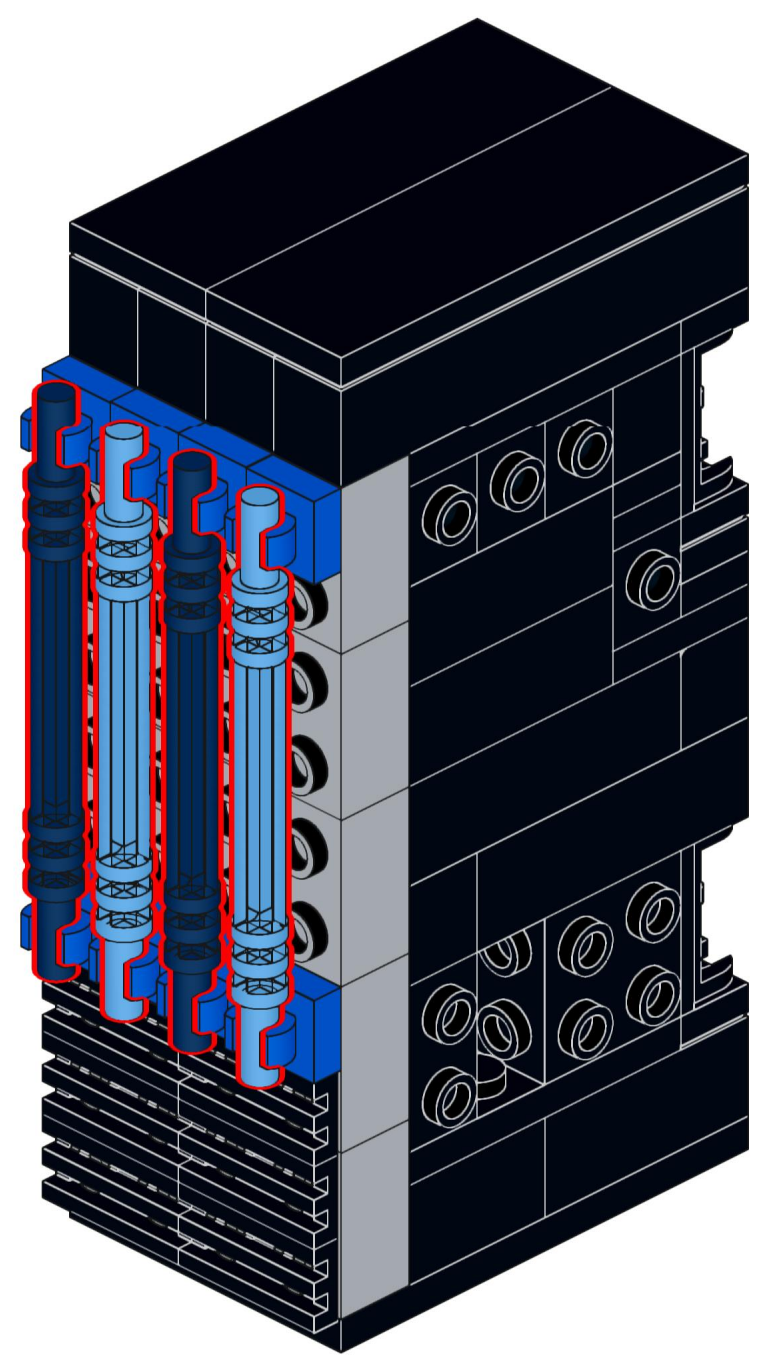
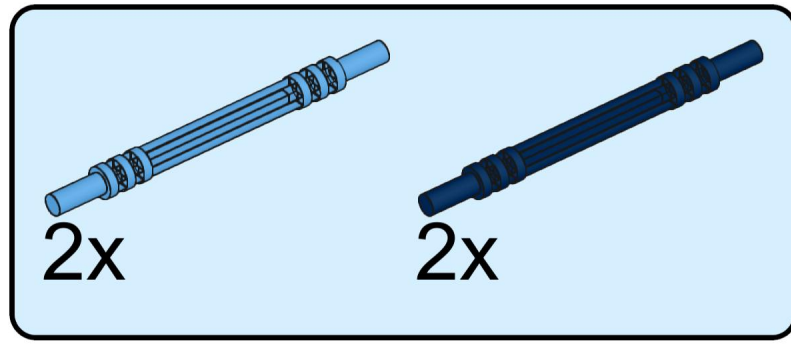
49



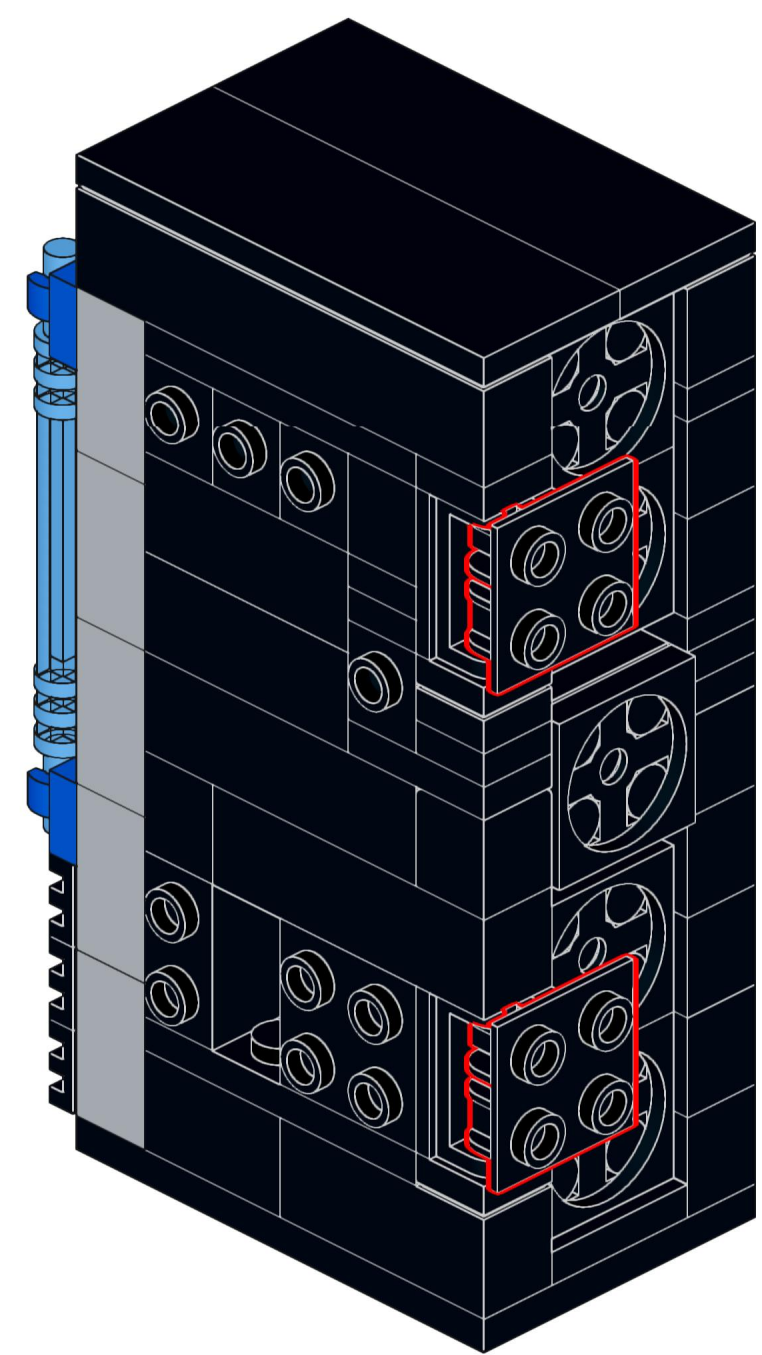
50



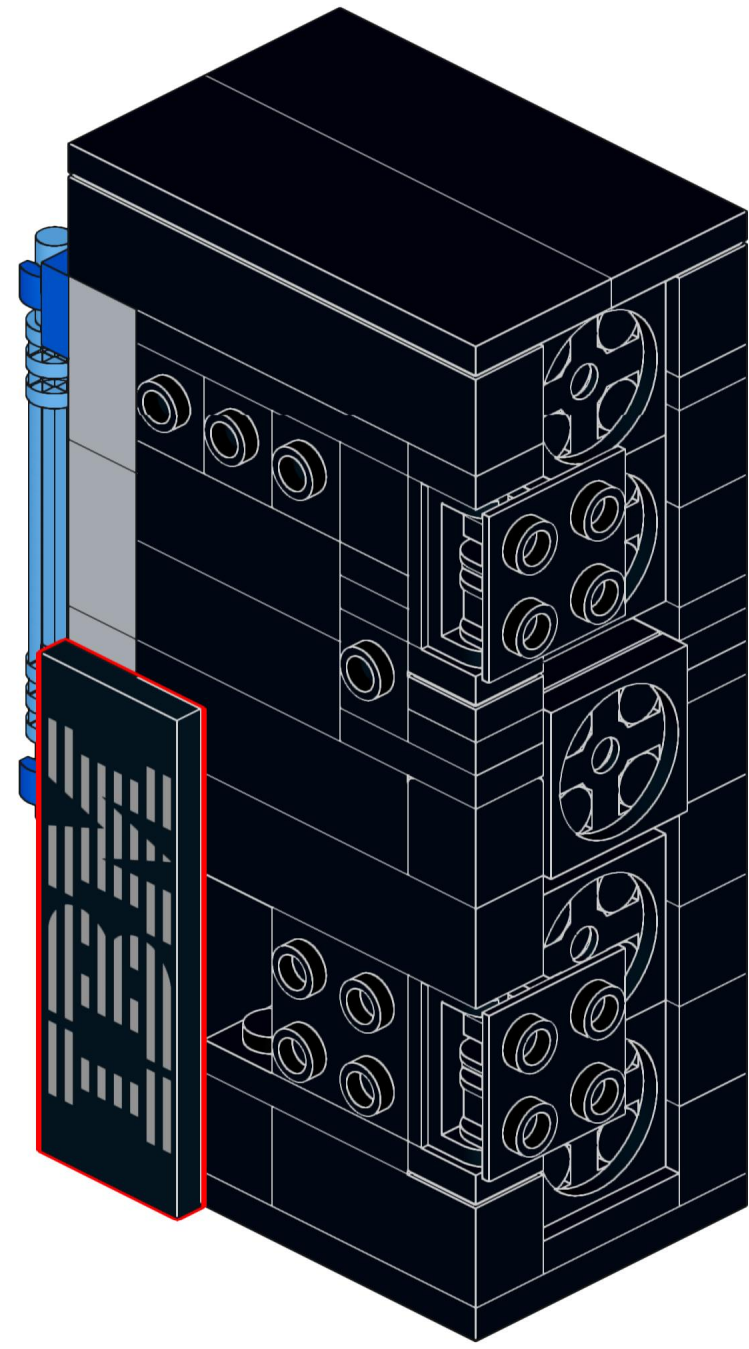
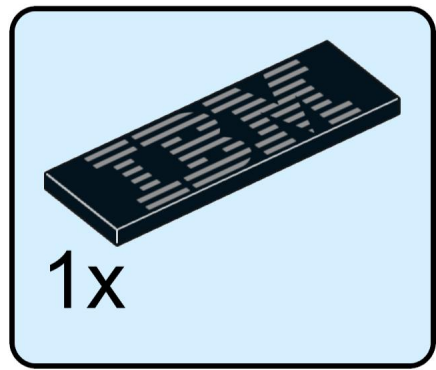
51



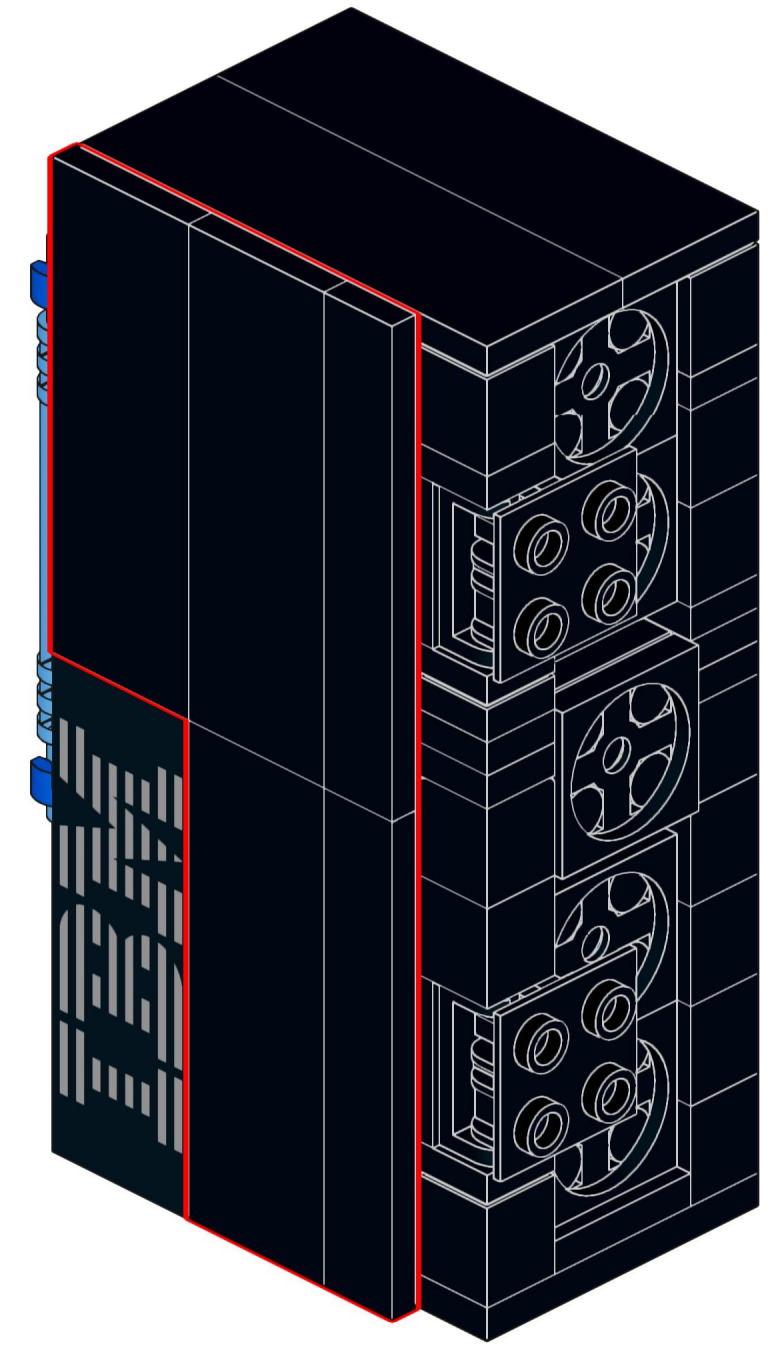
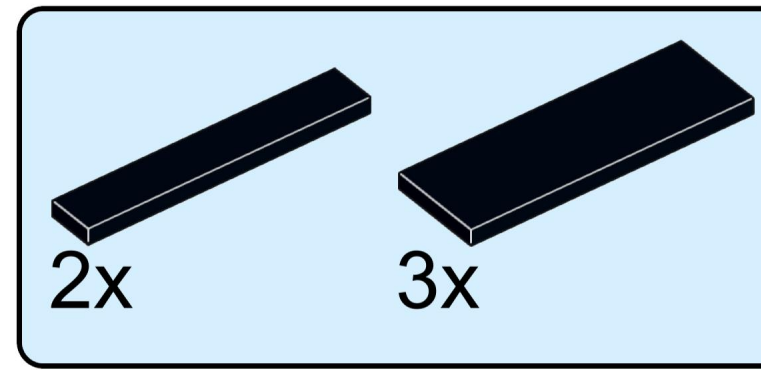
52



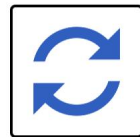
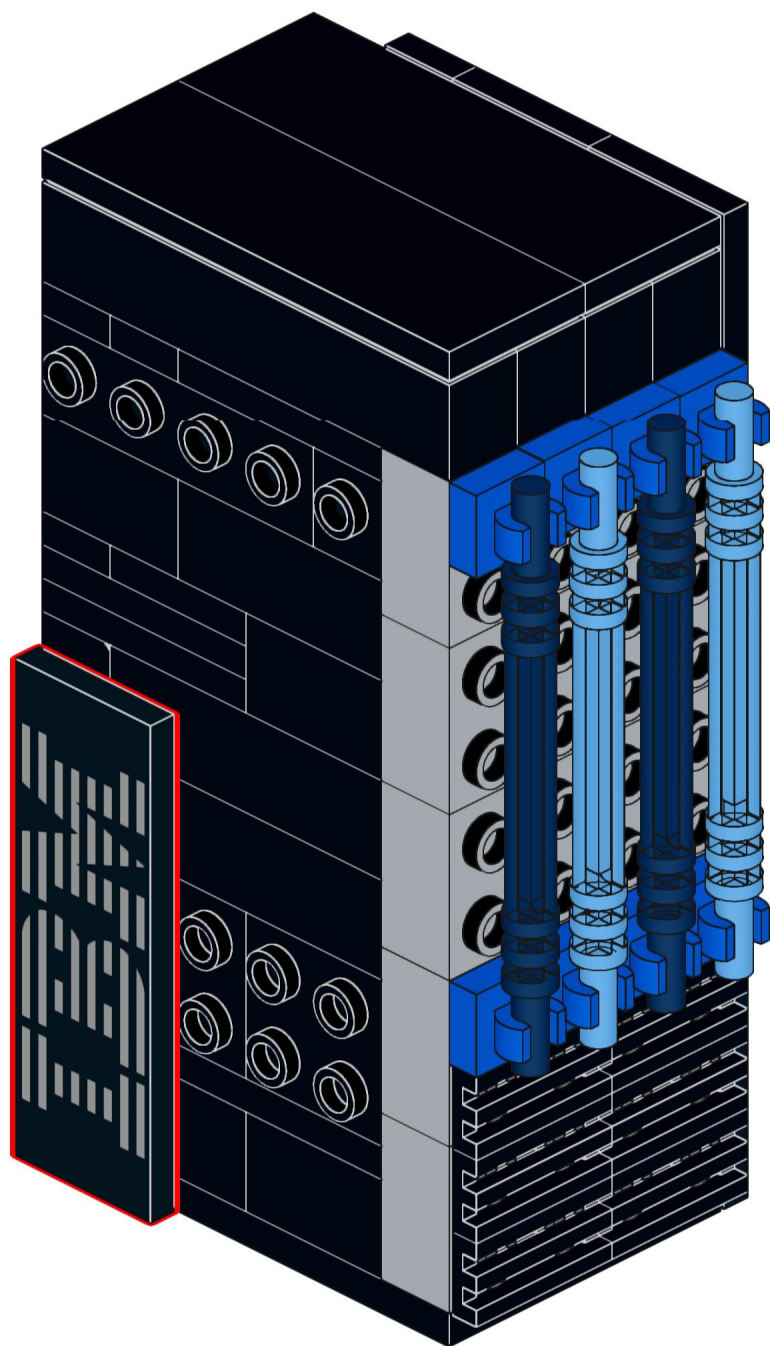
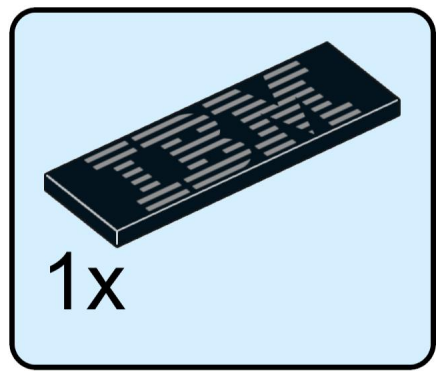
53



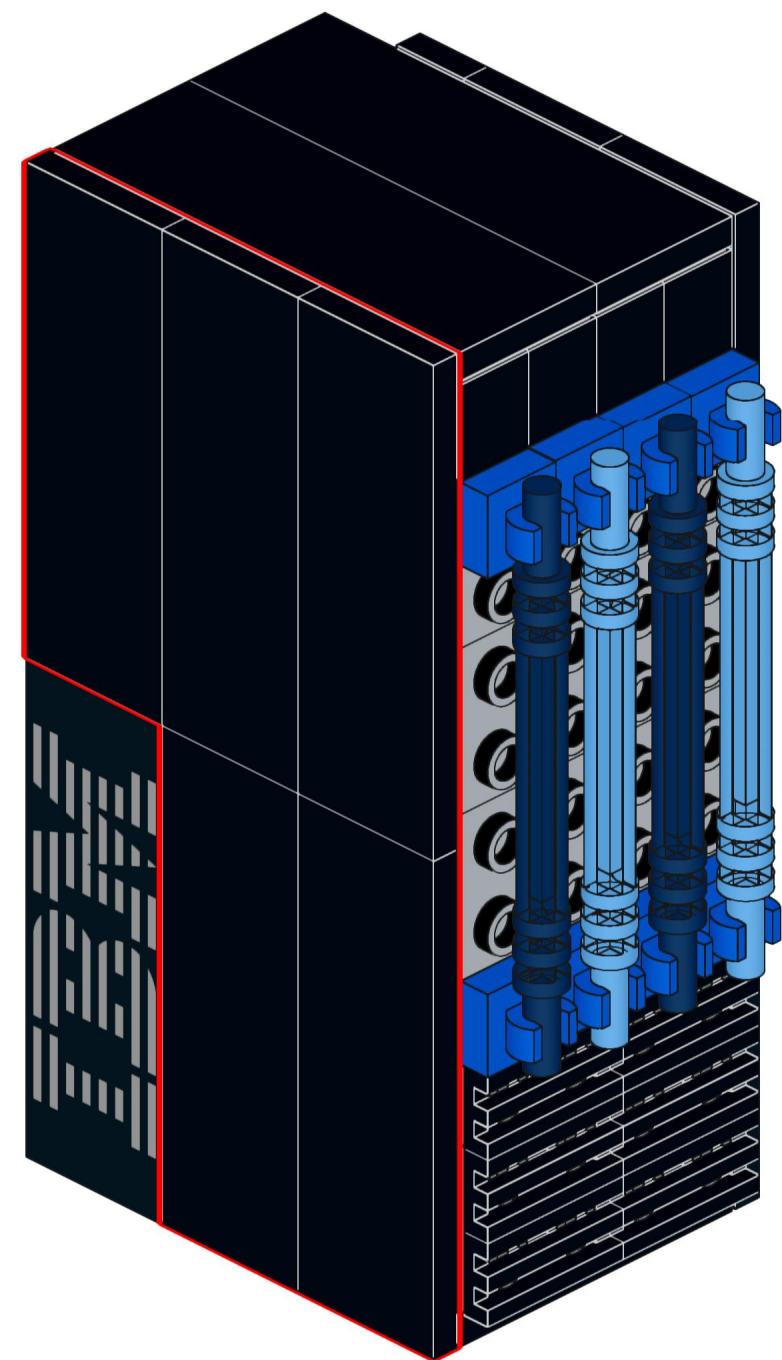
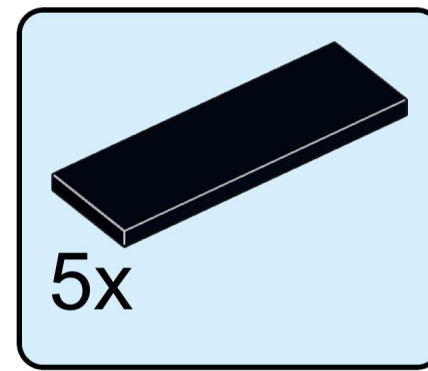
54



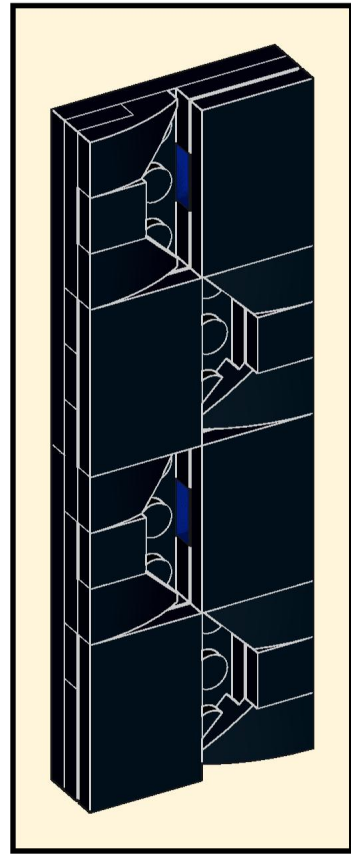
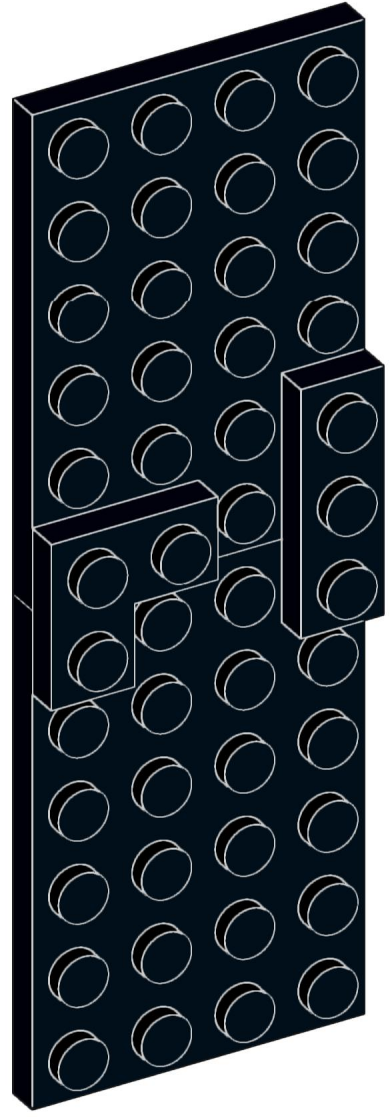
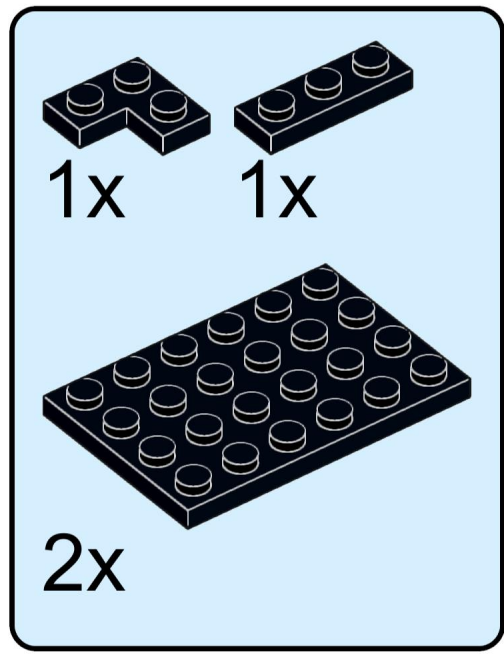
55



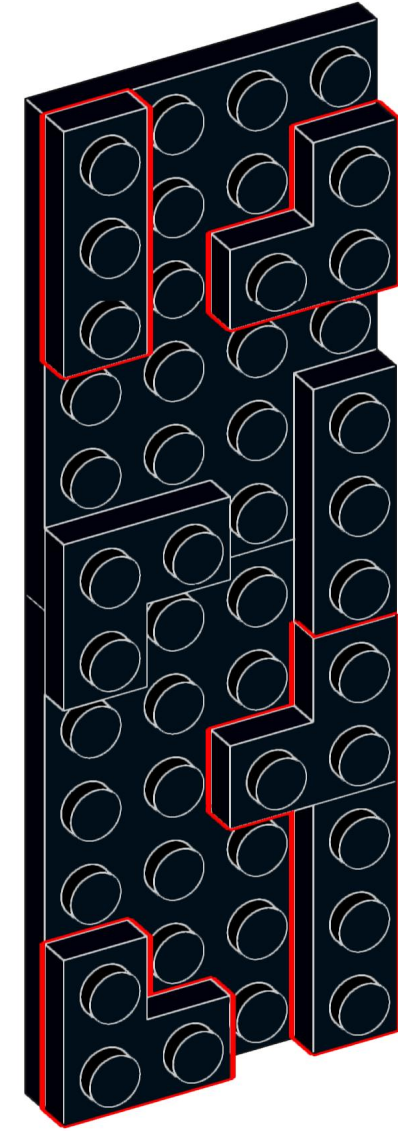
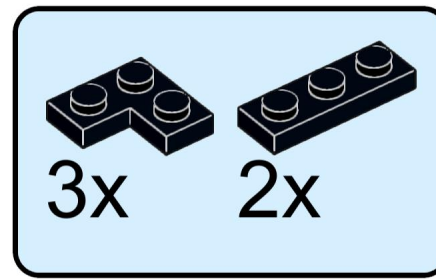
56



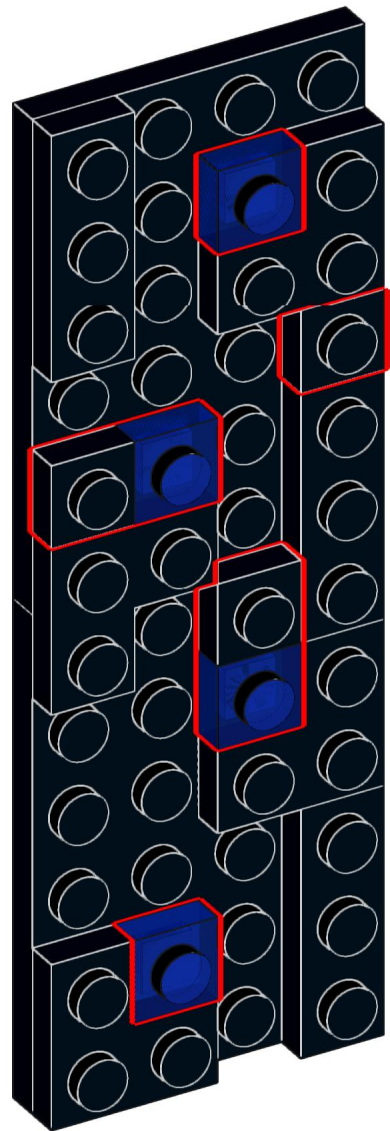
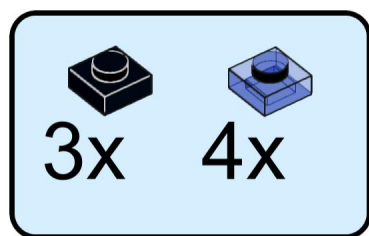
57



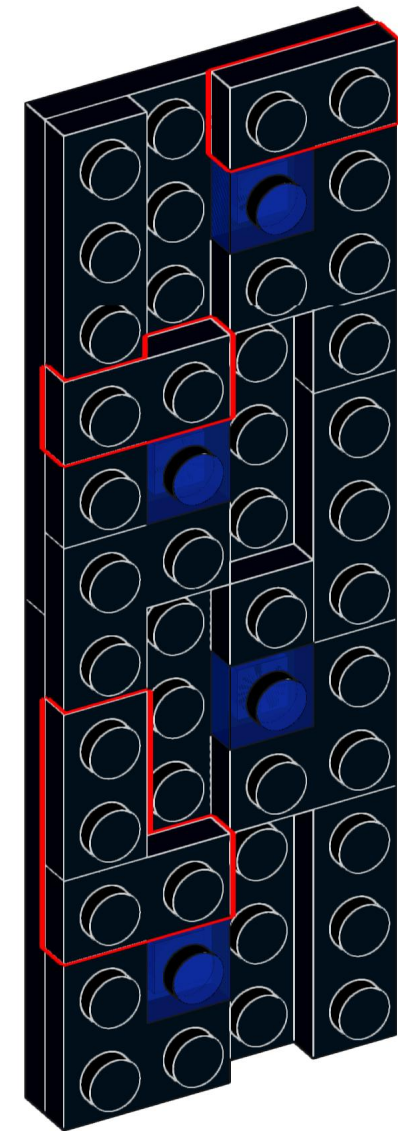
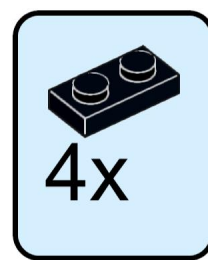
58



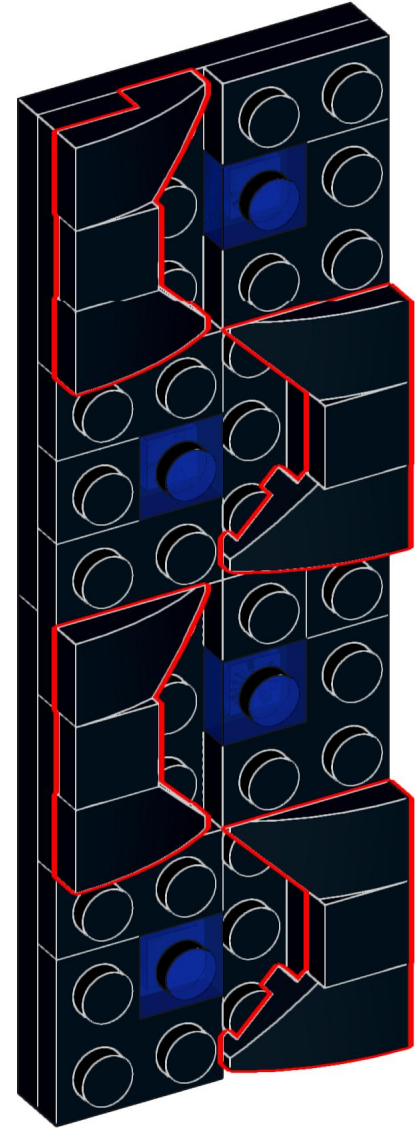
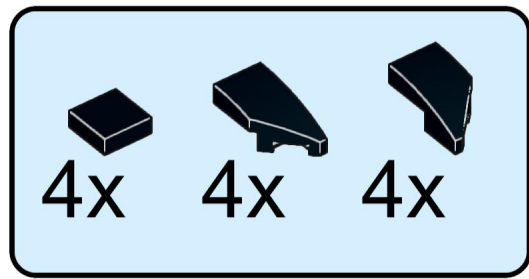
59



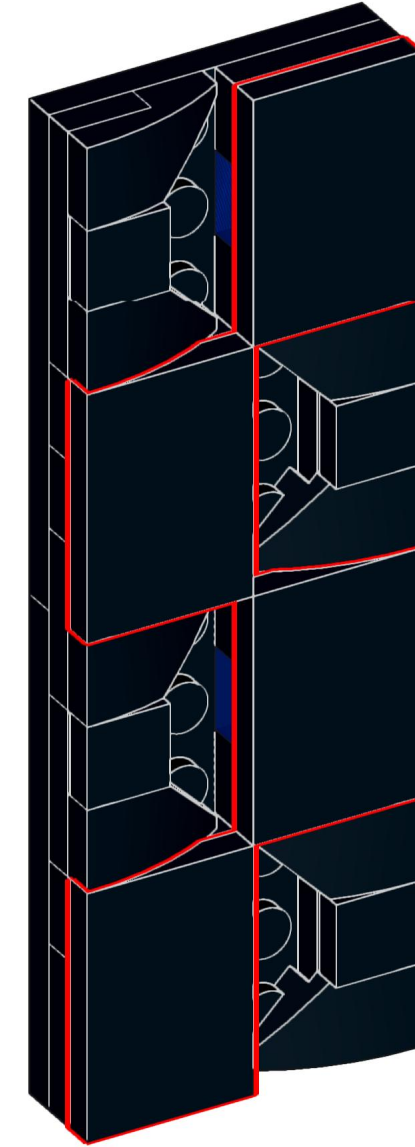
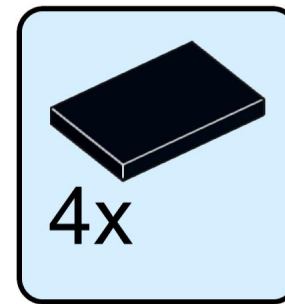
60



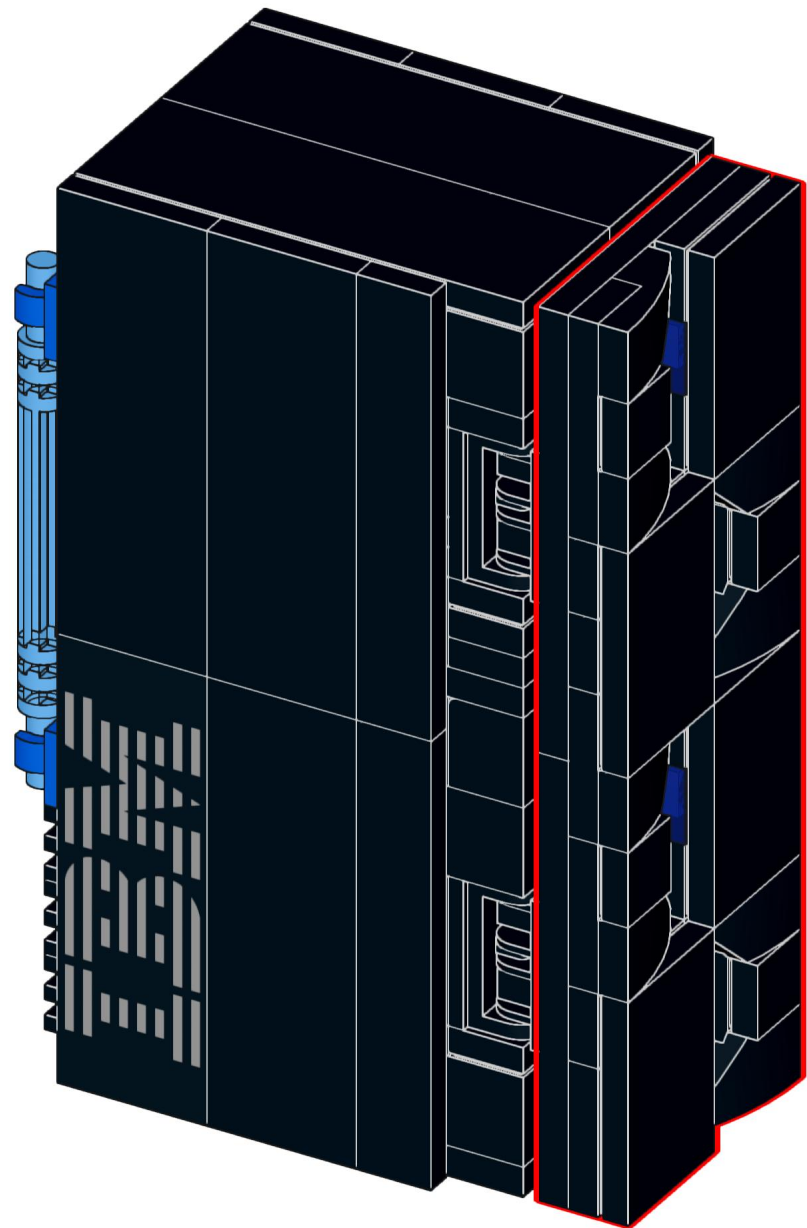
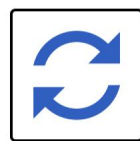
61



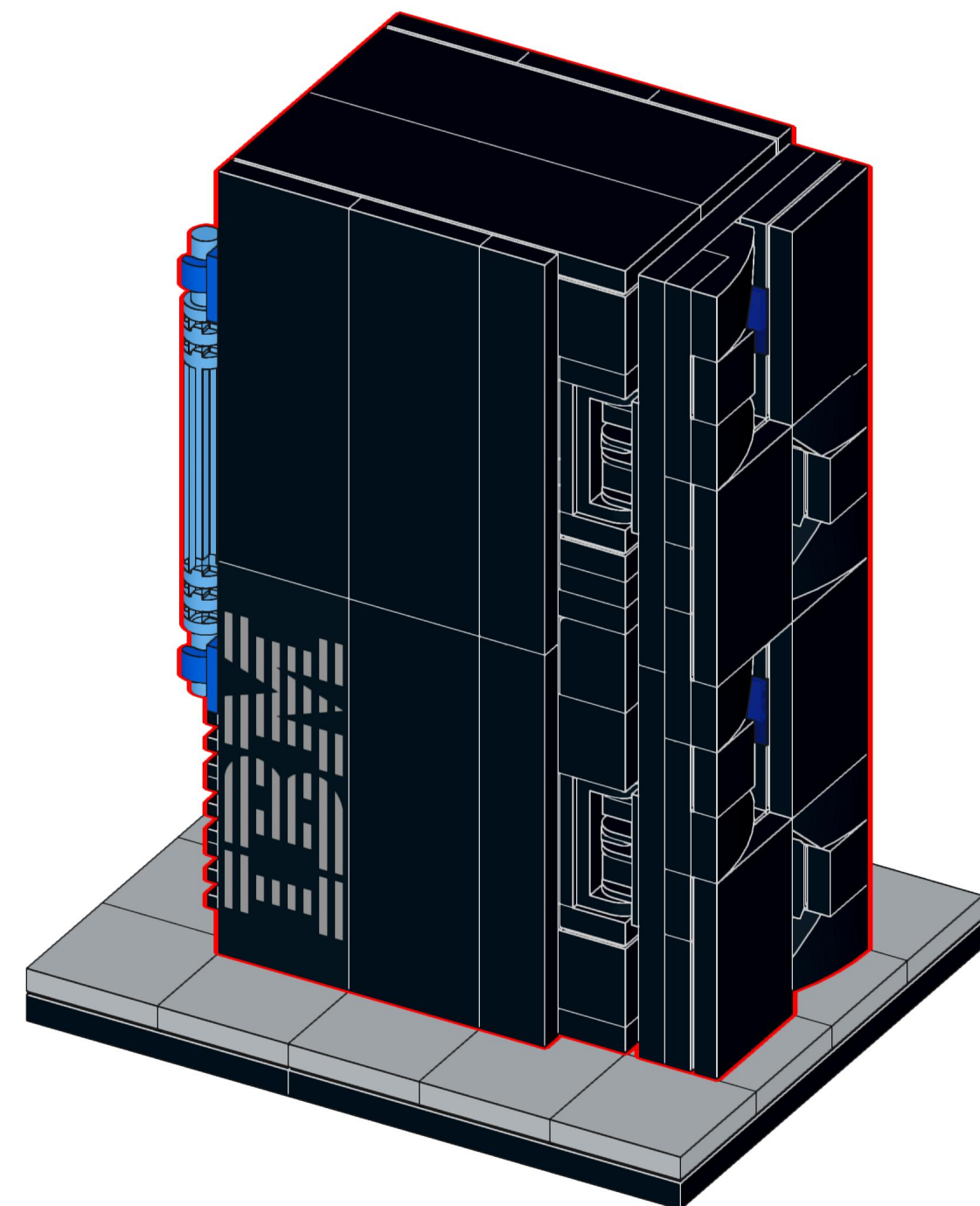
62



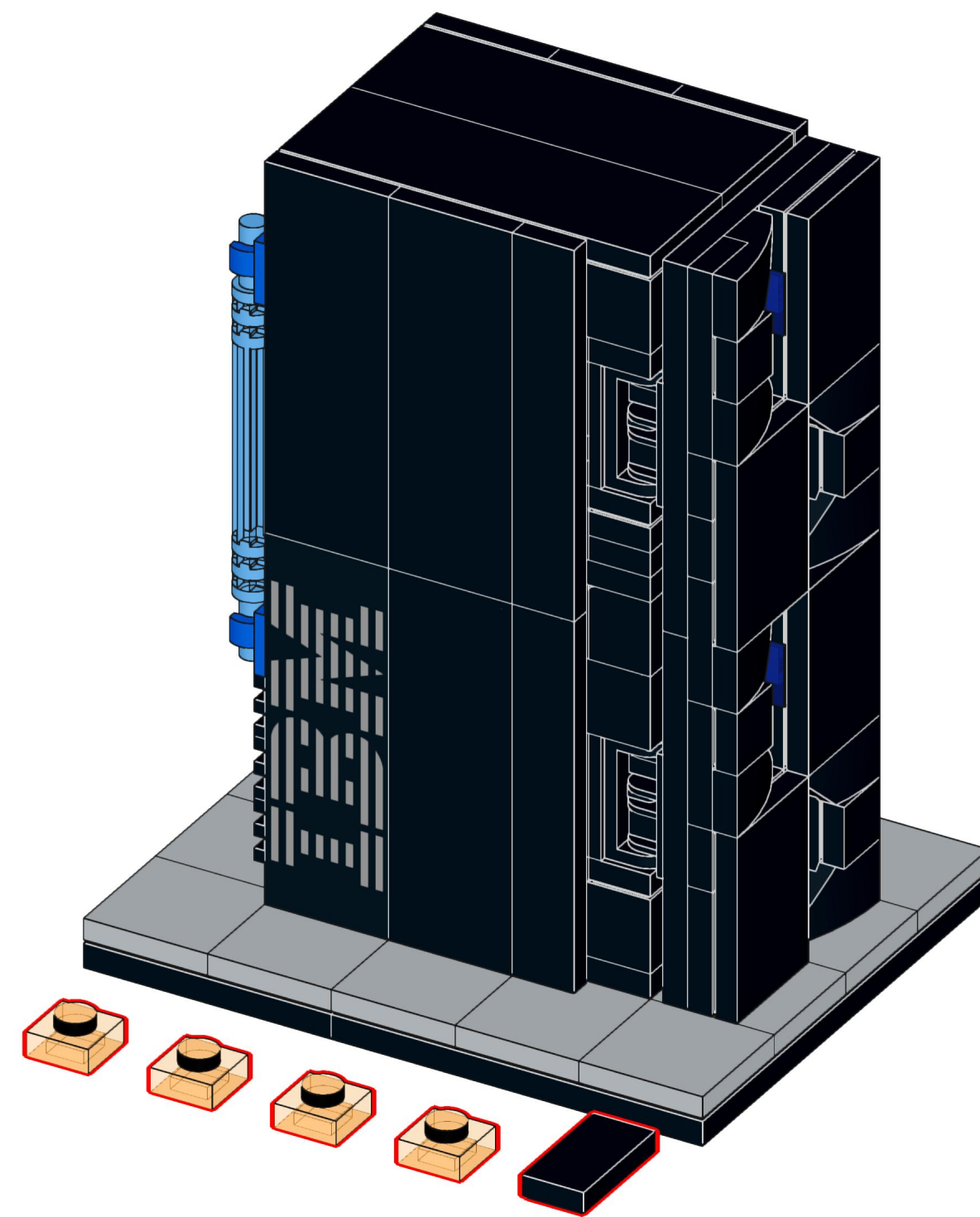
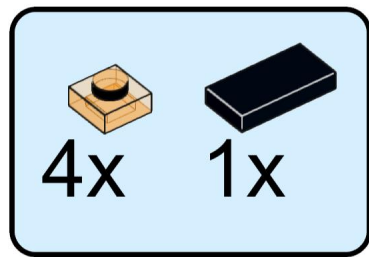
63



64



65



6x
307026

5x
302326

2x
4124096

3x
371026

10x
6318582

2x
4211398

2x
6322822

11x
302426

2x
393726

6x
362326

1x
301026

2x

2x
4211568

1x
6223126

2x
4106347

5x
300426

2x
6275806

2x
265326

2x

1x
4211397

2x
6178243

5x
300526

1x
6228987

6x
362226

1x
4162443

4x
303226

14x
4211413

2x
6225776

6x
4558954

1x
6192346

1x
6308883

2x
302026

1x
303526

1x
4654580

8x
6344028

2x
306926

1x
302226

4x
6162892

2x
663626

1x
303626

14x
6123809

2x
4613192

4x
6181713

5x
368026

1x
302126

2x
300926

1x
4211396

4x
6252040

6x
241226

4x
242026

1x
302126

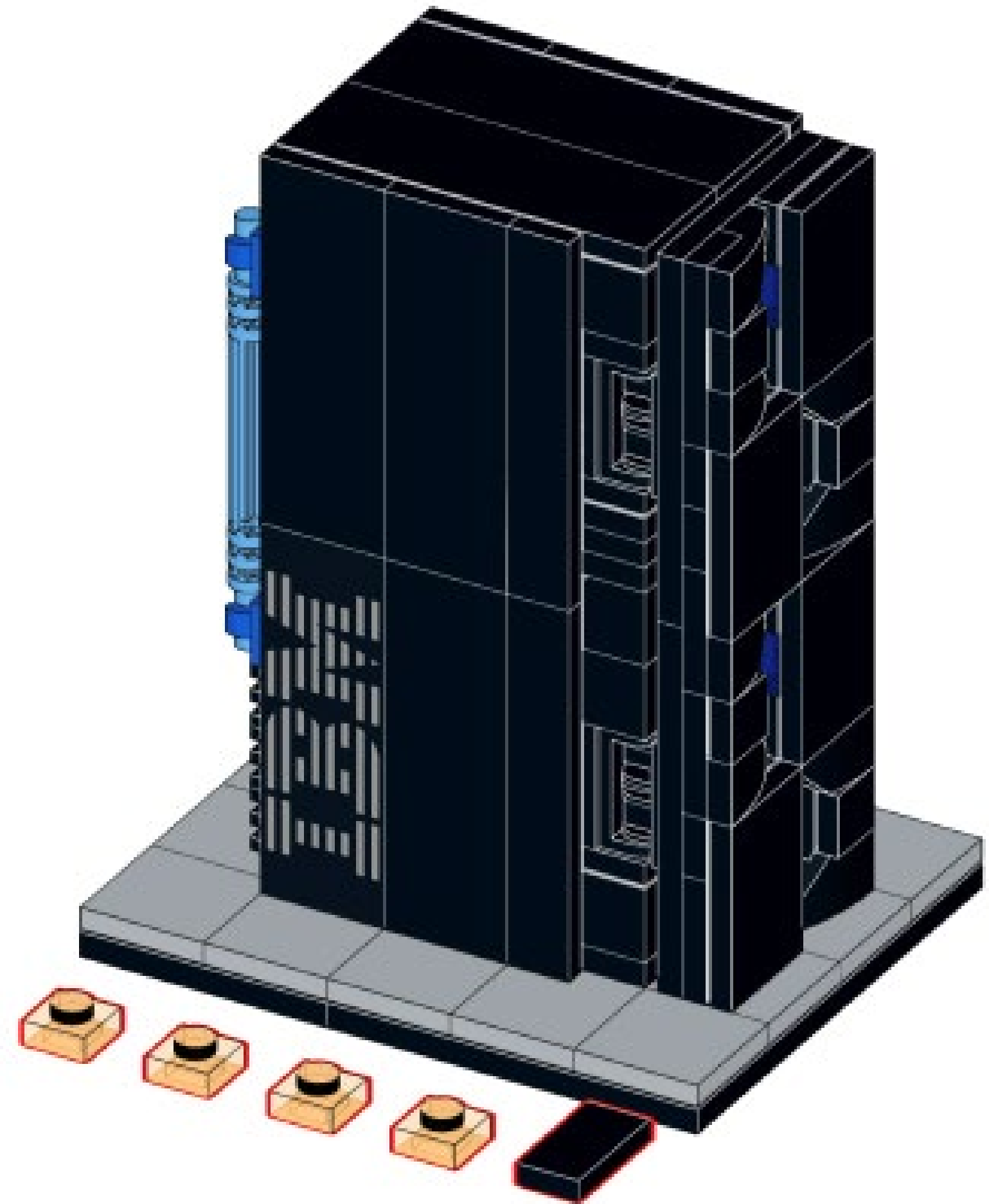
1x
4211395

4x
6252044

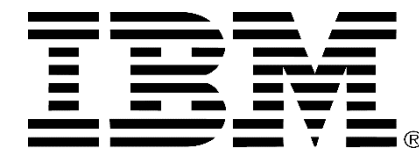
4x
6181720

All done and ready to post
your model online?

Please use
[#IBMZ](#) [#LinuxONE](#)
and appropriate event
hashtags also so we
can see your creation!



IBM



© Copyright IBM Corporation 2023

IBM Corporation

New Orchard Road Armonk, NY 10504

IBM, the IBM logo, ibm.com, IBM Z and IBM z16 are trademarks of International Business Machines Corp., registered in many jurisdictions worldwide. Other product and service names might be trademarks of IBM or other companies. A current list of IBM trademarks is available on the web at “Copyright and trademark information” at www.ibm.com/legal/copytrade.shtml.

The registered trademark Linux® is used pursuant to a sublicense from the Linux Foundation, the exclusive licensee of Linus Torvalds, owner of the mark on a world-wide basis.

LEGO and the Brick and Knob configurations are trademarks of the LEGO Group which does not sponsor, authorize or endorse this product.

This document is current as of the initial date of publication and may be changed by IBM at any time. Not all offerings are available in every country in which IBM operates. The client examples cited are presented for illustrative purposes only. Actual performance results may vary depending on specific configurations and operating conditions.

THE INFORMATION IN THIS DOCUMENT IS PROVIDED “AS IS” WITHOUT ANY WARRANTY, EXPRESS OR IMPLIED, INCLUDING WITHOUT ANY WARRANTIES OF MERCHANTABILITY, FITNESS FOR A PARTICULAR PURPOSE AND ANY WARRANTY OR CONDITION OF NON-INFRINGEMENT.

IBM products are warranted according to the terms and conditions of the agreements under which they are provided.

The client is responsible for ensuring compliance with laws and regulations applicable to it. IBM does not provide legal advice or represent or warrant that its services or products will ensure that the client is in compliance with any law or regulation.