

IMS
15.5.0

*Application Programming APIs
(2024-08-30 edition)*



Note

Before you use this information and the product it supports, read the information in [“Notices” on page 781.](#)

2024-08-30 edition.

© **Copyright International Business Machines Corporation 1974, 2024.**

US Government Users Restricted Rights – Use, duplication or disclosure restricted by GSA ADP Schedule Contract with IBM Corp.

Contents

- About this information..... ix**
 - Prerequisite knowledge.....ix
 - How new and changed information is identified..... ix
 - How to read syntax diagrams.....x
 - Accessibility features for IMS 15.5.....xi
 - How to send your comments..... xii

- Chapter 1. DL/I calls reference..... 1**
 - Database management..... 1
 - DL/I calls for database management.....1
 - DL/I calls for IMS DB system services..... 30
 - Transaction management..... 74
 - DL/I calls for transaction management..... 74
 - DL/I calls for IMS TM system services..... 113
 - EXEC DLI commands..... 153
 - Summary of EXEC DLI commands.....154
 - ACCEPT command..... 155
 - CHKP command..... 156
 - DEQ command.....157
 - DLET command..... 158
 - GN command.....159
 - GNP command..... 164
 - GU command.....169
 - ISRT command.....174
 - LOAD command.....179
 - LOG command.....180
 - POS command.....181
 - QUERY command..... 182
 - REFRESH command..... 182
 - REPL command..... 183
 - RETRIEVE command.....187
 - ROLB command.....188
 - ROLL command..... 189
 - ROLS command.....190
 - SCHD command..... 191
 - SETS command..... 192
 - SETU command.....193
 - STAT command.....194
 - SYMCHKP command..... 195
 - TERM command..... 196
 - XRST command..... 197
 - Command code reference..... 198
 - A command code.....200
 - C command code.....200
 - D command code..... 201
 - F command code.....203
 - G command code..... 204
 - L command code.....204
 - N command code.....205
 - O command code..... 205

P command code.....	206
Q command code.....	206
U command code.....	208
V command code.....	210
NULL command code.....	210
DEDB command codes for DL/I.....	210
Relationship between calls, AIBs, and PCBs.....	216
DL/I test program (DFSDDLTO) reference.....	217
Control statements.....	217
ABEND statement.....	218
CALL statement.....	219
COMMENT statement.....	241
COMPARE statement.....	242
IGNORE statement.....	248
OPTION statement.....	249
PUNCH CTL statement.....	250
STATUS statement.....	252
WTO statement.....	256
WTOR statement.....	256
JCL requirements for the DL/I test program (DFSDDLTO)	257
Execution of DFSDDLTO in IMS regions.....	260
Explanation of DFSDDLTO return codes.....	260
DFSDDLTO operations.....	261

Chapter 2. DRDA DDM command architecture reference..... 263

Overview of the syntax for DDM terms supported by IMS.....	263
DSSHDR syntax.....	264
DDM commit and rollback processing.....	264
DDM commands and command objects.....	265
ACCRDB command (X'2001').....	265
ACCSEC command (X'106D').....	267
CLSQRV command (X'2005').....	268
CNTQRY command (X'2006').....	269
DEALLOCDB command (X'C801').....	271
DLIFUNC command object (X'CC05').....	273
DLIFUNCFLG command object (X'CC09').....	274
EXCSAT command (X'1041').....	275
EXCSQLIMM command (X'200A').....	276
EXCSQLSET command (X'2014').....	280
FLDENTRY command object (X'CC03').....	282
FLDENTRYREL command object (X'CC0C').....	283
IMSCALL command (X'C803').....	283
INAIB command object (X'CC01').....	284
MONITORRD command (X'1C00').....	286
OPNQRY command (X'200C').....	286
PRPSQLSTT command (X'200D').....	291
RLSE command (X'C802').....	293
RTRVFLD command object (X'CC04').....	294
RTRVFLDREL command object (X'CC0B').....	295
SECCHK command (X'106E').....	295
SEGMLIST command object (X'CC0A').....	297
SQLATTR command (X'2450').....	298
SQLCARD command (X'2408').....	298
SQLDARD command (X'2411').....	300
SQLDTA command (X'2412').....	304
SQLSTT command (X'2414').....	306
SSALIST command object (X'CC06').....	307

DDM reply messages and reply objects.....	308
ABNUOWRM reply message (X'220D').....	308
ACCRDBRM reply message (X'2201').....	309
ACCSECRD reply object (X'14AC').....	311
AGNPRMRM reply message (X'1232').....	312
CMDVLTRM reply message (X'221D').....	313
DEALLOCDBRM reply message (X'CA01').....	314
ENDQRYRM reply message (X'220B').....	315
ENDUOWRM reply message (X'220C').....	316
EXCSATRD reply object (X'1443').....	317
IMSCALLRM reply message (X'CA04').....	318
OPNQFLRM reply message (X'2212').....	320
OPNQRYRM reply message (X'2205').....	321
QRYDSC reply object (X'241A').....	323
QRYDTA reply object (X'241B').....	323
QRYPOPRM reply message (X'220F').....	324
RDBAFLRM reply message (X'221A').....	326
RDBATHRM reply message (X'2203').....	327
RDBNACRM reply message (X'2204').....	328
RDBNFNRM reply message (X'2211').....	329
RDBUPDRM reply message (X'2218').....	330
RLSERM reply message (X'CA03').....	332
RSCLMTRM reply message (X'1233').....	333
SECCHKRM reply message (X'1219').....	334
SQLERRRM reply message (X'2213').....	335
DDM parameters used by IMS.....	336
AIBOALEN parameter (X'C904').....	336
AIBRSNM1 parameter (X'C901').....	337
AIBRSNM2 parameter (X'C902').....	337
AIBSFUNC parameter (X'C903').....	338
aibStream data structure.....	338
dbpcbStream data structure.....	339
iopcbStream data structure.....	340
OUTAIBDBPCB parameter (X'CC02').....	342
OUTAIBIOPCB parameter (X'CC08').....	343
RDBNAM parameter (X'2110').....	344
SSA parameter (X'C906').....	344
SSACOUNT parameter (X'C905').....	345
UPDCNT parameter (X'C90A').....	345

Chapter 3. IMS Adapter for REXX reference.....347

IMS Adapter for REXX overview.....	348
Sample exit routine (DFSREXXU).....	348
Addressing other environments.....	349
REXX transaction programs.....	349
REXXTDLI commands.....	350
REXXTDLI calls.....	351
REXXIMS extended commands.....	356
DLIINFO.....	357
IMSRXTRC.....	358
MAPDEF.....	359
MAPGET.....	361
MAPPUT.....	362
SET.....	363
SRRBACK and SRRCMIT.....	364
STORAGE.....	364
WTO, WTP, and WTL.....	365

WTOR.....	366
IMSQUERY extended functions.....	366
Sample execs using REXXTDLI.....	368
SAY exec: for expression evaluation.....	368
PCBINFO exec: display available PCBs in current PSB.....	369
PART execs: database access examples.....	371
DOCMD: IMS commands front end.....	373
IVPREXX sample application.....	377
Chapter 4. Java programming reference.....	379
IMS Universal drivers support for JDBC.....	379
javax.sql.Clob methods supported.....	379
java.sql.Connection methods supported.....	379
java.sql.DatabaseMetaData methods supported.....	381
javax.sql.DataSource methods supported.....	385
java.sql.Driver methods supported.....	385
java.sql.ParameterMetaData methods supported.....	386
java.sql.PreparedStatement methods supported.....	386
java.sql.Statement methods supported.....	387
java.sql.ResultSet methods supported.....	388
java.sql.ResultSetMetaData methods supported.....	393
IMS Universal drivers support for the Common Client Interface.....	394
javax.resource.cci.Connection methods supported.....	394
javax.resource.cci.ConnectionFactory methods supported.....	394
javax.resource.cci.ConnectionMetaData methods supported.....	395
javax.resource.cci.Interaction methods supported.....	395
javax.resource.cci.LocalTransaction methods supported.....	396
javax.resource.cci.ResultSetInfo methods supported.....	396
javax.resource.cci.ResourceAdapterMetaData methods supported.....	397
javax.resource.cci.RecordFactory methods supported.....	397
Java API documentation (Javadoc).....	397
Chapter 5. Message Format Service (MFS) reference.....	401
MFS application program design.....	401
Relationships between MFS control blocks.....	401
Format library member selection.....	408
3270 or SLU 2 screen formatting.....	411
Device compatibility with previous versions of MFS.....	414
Enhancing system performance of MFS message and device formats.....	419
MFS definitions for intersystem communication.....	424
MFS message formats.....	425
Input message formats.....	425
Output message formats.....	428
MFS message formatting functions.....	461
Chapter 6. OTMA Callable Interface API reference.....	525
OTMA Callable Interface API calls.....	525
OTMA C/I hints and tips.....	525
otma_create API.....	526
otma_open API.....	528
otma_openx API.....	529
otma_alloc API.....	531
otma_send_receive API.....	532
otma_send_receivex API.....	534
otma_send_receivey API.....	535
otma_send_async API.....	536
otma_send_asyncx API.....	539

otma_receive_async API.....	540
otma_free API.....	541
otma_close API.....	542
OTMA C/I sample programs.....	543
Warranty and distribution for OTMA C/I sample programs.....	543
OTMA C/I sample program for synchronous processing.....	543
OTMA C/I sample program for asynchronous processing.....	552

Chapter 7. WSDL-to-PL/I segmentation APIs for web service development..... 565

Include file DFSPWSH.....	565
DFSQGETS.....	572
DFSQSETS.....	575
DFSXGETS.....	577
DFSXSETS.....	579
Return codes from the DFSPWSIO APIs.....	582

Chapter 8. SQL programming reference..... 585

SQL concepts for IMS.....	585
Structured query language.....	585
IMS data structures for SQL.....	586
Language elements.....	587
Characters.....	587
Tokens.....	587
Identifiers.....	588
Naming conventions.....	588
Data types.....	588
Assignment and comparison.....	592
Constants.....	593
Field names.....	594
References to variables.....	595
Host structures in COBOL.....	596
Predicates.....	597
Search conditions.....	600
SQL statements.....	601
How SQL statements are invoked.....	602
ALTER DATABASE.....	605
ALTER TABLE.....	619
ALTER TABLESPACE.....	647
CLOSE.....	653
COMMENT ON.....	654
CREATE DATABASE.....	656
CREATE PROGRAMVIEW.....	669
CREATE TABLE.....	686
CREATE TABLESPACE.....	729
DECLARE CURSOR.....	743
DECLARE STATEMENT.....	744
DELETE.....	744
DESCRIBE OUTPUT.....	745
DROP DATABASE.....	746
DROP PROGRAMVIEW.....	747
DROP TABLE.....	747
DROP TABLESPACE.....	748
EXECUTE.....	749
FETCH.....	750
INCLUDE.....	752
INSERT.....	752
OPEN.....	755

PREPARE.....	757
SELECT.....	759
UPDATE.....	769
WHENEVER.....	772
SQL communication area (SQLIMSCA).....	773
Description of SQLIMSCA fields.....	773
The included SQLIMSCA.....	775
SQL descriptor area (SQLIMSDA).....	775
Description of SQLIMSDA fields.....	775
The included SQLIMSDA.....	778
Notices.....	781
Programming interface information.....	782
Trademarks.....	782
Terms and conditions for product documentation.....	783
IBM Online Privacy Statement.....	783
Bibliography.....	785
Index.....	787

About this information

These topics provide reference information for the IMS application programming interfaces (APIs). The topics also provide reference information for SQL programming for IMS, the IMS Adapter for REXX, the DL/I test program (DFSDDLTO), and the IMS Message Format Service (MFS). Guidance information for writing IMS application programs is in *IMS Version 15.5 Application Programming*.

This information is available in [IBM® Documentation](#).

Prerequisite knowledge

This book is an API (application programming interface) reference for IMS application programming in any of the following environments:

- IMS Database Manager (IMS DB), including IMS Database Control (DBCTL)
- IMS Transaction Manager (IMS TM)
- CICS® EXEC DLI
- WebSphere® Application Server for z/OS®
- WebSphere Application Server for distributed platforms
- Java™ dependent regions (JMP and JBP)
- Any environment for stand-alone Java application development

This book provides reference information for the IMS application programming interfaces (APIs), including DL/I, EXEC DLI, the IMS Universal drivers, and the Java class libraries for IMS. It also provides reference information for the IMS Adapter for REXX, the DL/I test program (DFSDDLTO), and the IMS Message Format Service (MFS). Guidance information for writing IMS application programs is in *IMS Version 15.5 Application Programming*.

Before using this book, you should understand the concepts of application design described in *IMS Version 15.5 Application Programming*, which assumes that you understand basic z/OS and IMS concepts and the IMS environments. You should also know how to use assembler language, C language, COBOL, Pascal, or PL/I. CICS programs can be written in assembler language, C language, COBOL, PL/I, and C++.

To write Java applications, you must thoroughly understand the Java language and JDBC. This book assumes that you know Java and JDBC. It does not explain any Java or JDBC concepts.

To create the Java database metadata class, which is a required step in writing Java applications for IMS using the IMS Universal drivers or the Java class libraries, you must understand IMS databases. IMS database concepts are described in *IMS Version 15.5 Database Administration*.

To write applications that store or retrieve XML, you must understand XML and its related technologies, such as XML schemas.

To learn about z/OS, see [z/OS Basic Skills](#). For more resources, see [IBM Z Education and Training](#).

To learn about IMS, see the IBM Press publication *An Introduction to IMS*, the resources listed for [IBM Information Management System](#), and the variety of options available in [IBM Training](#).

How new and changed information is identified

For most IMS library PDF publications, information that is added or changed after the PDF publication is first published is denoted by a character (revision marker) in the left margin. The *Program Directory* and *Licensed Program Specifications* do not include revision markers.

Revision markers follow these general conventions:

- Only technical changes are marked; style and grammatical changes are not marked.

- If part of an element, such as a paragraph, syntax diagram, list item, task step, or figure is changed, the entire element is marked with revision markers, even though only part of the element might have changed.
- If a topic is changed by more than 50%, the entire topic is marked with revision markers (so it might seem to be a new topic, even though it is not).

Revision markers do not necessarily indicate all the changes made to the information because deleted text and graphics cannot be marked with revision markers.

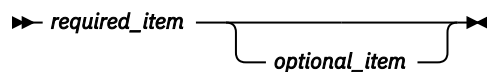
How to read syntax diagrams

The following rules apply to the syntax diagrams that are used in this information:

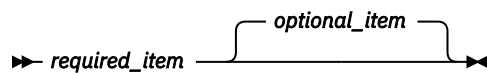
- Read the syntax diagrams from left to right, from top to bottom, following the path of the line. The following conventions are used:
 - The >>--- symbol indicates the beginning of a syntax diagram.
 - The ---> symbol indicates that the syntax diagram is continued on the next line.
 - The >--- symbol indicates that a syntax diagram is continued from the previous line.
 - The --->< symbol indicates the end of a syntax diagram.
- Required items appear on the horizontal line (the main path).

▶▶ *required_item* ▶▶

- Optional items appear below the main path.

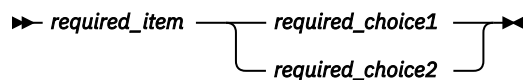


If an optional item appears above the main path, that item has no effect on the execution of the syntax element and is used only for readability.

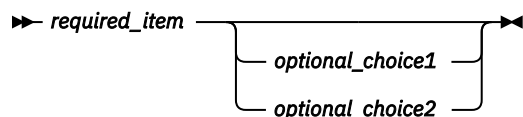


- If you can choose from two or more items, they appear vertically, in a stack.

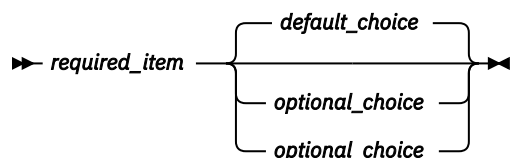
If you *must* choose one of the items, one item of the stack appears on the main path.



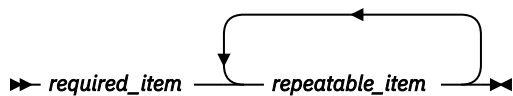
If choosing one of the items is optional, the entire stack appears below the main path.



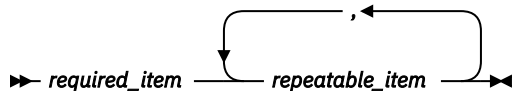
If one of the items is the default, it appears above the main path, and the remaining choices are shown below.



- An arrow returning to the left, above the main line, indicates an item that can be repeated.

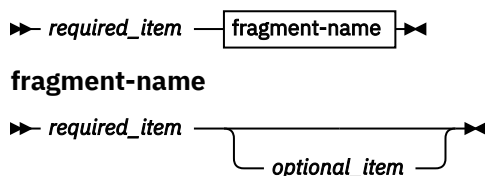


If the repeat arrow contains a comma, you must separate repeated items with a comma.



A repeat arrow above a stack indicates that you can repeat the items in the stack.

- Sometimes a diagram must be split into fragments. The syntax fragment is shown separately from the main syntax diagram, but the contents of the fragment should be read as if they are on the main path of the diagram.



- In IMS, a b symbol indicates one blank position.
- Keywords, and their minimum abbreviations if applicable, appear in uppercase. They must be spelled exactly as shown. Variables appear in all lowercase italic letters (for example, *column-name*). They represent user-supplied names or values.
- Separate keywords and parameters by at least one space if no intervening punctuation is shown in the diagram.
- Enter punctuation marks, parentheses, arithmetic operators, and other symbols, exactly as shown in the diagram.
- Footnotes are shown by a number in parentheses, for example (1).

Accessibility features for IMS 15.5

Accessibility features help a user who has a physical disability, such as restricted mobility or limited vision, to use information technology products successfully.

Accessibility features

The following list includes the major accessibility features in z/OS products, including IMS 15.5. These features support:

- Keyboard-only operation.
- Interfaces that are commonly used by screen readers and screen magnifiers.
- Customization of display attributes such as color, contrast, and font size.

Keyboard navigation

You can access IMS 15.5 ISPF panel functions by using a keyboard or keyboard shortcut keys.

For information about navigating the IMS 15.5 ISPF panels using TSO/E or ISPF, refer to the *z/OS TSO/E Primer*, the *z/OS TSO/E User's Guide*, and the *z/OS ISPF User's Guide Volume 1*. These guides describe how to navigate each interface, including the use of keyboard shortcuts or function keys (PF keys). Each guide includes the default settings for the PF keys and explains how to modify their functions.

Related accessibility information

Online documentation for IMS 15.5 is available in IBM Documentation.

IBM and accessibility

See the *IBM Human Ability and Accessibility Center* at www.ibm.com/able for more information about the commitment that IBM has to accessibility.

How to send your comments

About this task

Your feedback is important in helping us provide the most accurate and highest quality information. If you have any comments about this or any other IMS information, you can take one of the following actions:

Procedure

- Submit a comment by using the DISQUS commenting feature at the bottom of any [IBM Documentation](#) topic.
- Send an email to imspubs@us.ibm.com. Be sure to include the book title.
- Click the **Contact Us** tab at the bottom of any [IBM Documentation](#) topic.

What to do next

To help us respond quickly and accurately, please include as much information as you can about the content you are commenting on, where we can find it, and what your suggestions for improvement might be.

Chapter 1. DL/I calls reference

These topics contain reference information for IMS DL/I calls.

Database management

Use the following DL/I calls to access and administer IMS databases.

DL/I calls for database management

Use these DL/I calls with IMS DB to perform database management functions in your application program.

Each call description contains:

- A syntax diagram
- Definitions for parameters that are available to the call
- Details on how to use the call in your application program
- Restrictions on call usage, where applicable

Each parameter is described as an input parameter or output parameter. "Input" refers to input to IMS from the application program. "Output" refers to output from IMS to the application program.

Database management calls must use either *db pcb* or *aib* parameters. The syntax diagrams for these calls begin with the *function* parameter. The call, call interface (xxxTDLI), and *parmcount* (if it is required) are not included in the syntax diagrams.

Related reading: For specific information about coding your program in assembler language, C language, COBOL, Pascal, and PL/I, see the topic "Defining Application Program Elements" in *IMS Version 15.5 Application Programming*.

Related reference

["DL/I calls for IMS TM system services" on page 113](#)

Use these DL/I calls with IMS Transaction Manager system services.

["DL/I calls for transaction management" on page 74](#)

Use these DL/I calls with IMS TM to perform transaction management functions in your application programs.

["EXEC DLI commands" on page 153](#)

The EXEC DLI commands are the only commands that are allowed for EXEC DLI. These commands can be used to read and update DL/I databases with a batch program, a BMP region (running DBCTL or DB/DC), or a CICS program using DBCTL.

Database management call summary

The following table shows the parameters that are valid for each database management call.

Optional parameters are enclosed in brackets ([]).

Restriction: Language-dependent parameters are not shown here. The variable *parmcount* is required for all PLITDLI calls. Either *parmcount* or VL is required for assembler language calls. Parmcount is optional in COBOL, C, and Pascal programs.

Related reading: For more information on language-dependent application elements, see the topic "Defining Application Program Elements" in *IMS Version 15.5 Application Programming*.

Table 1. Summary of DB calls

Function Code	Meaning and Use	Options	Parameters	Valid for
CIMS		Initializes and terminates the ODBA interface in a z/OS application region.	aib	DB/DC, DBCTL, ODBA
CLSE	Close	Closes a GSAM database explicitly	function, gsam pcb or aib	DB/DC, DBCTL, DB batch, ODBA
DEQb	Dequeue	Releases segments reserved by Q command code	function, i/o pcb (full function only), or aib, i/o area (full function only)	DB batch, BMP, MPP, IFP, DBCTL, ODBA
DLET	Delete	Removes a segment and its dependents from the database	function, db pcb or aib, i/o area, [ssa]	DB/DC, DBCTL, DB batch, ODBA
FLDb	Field	Accesses a field within a segment	function, db pcb or aib, i/o area, rootssa	DB/DC, ODBA
GHNb	Get Hold Next	Retrieves subsequent message segments	function, db pcb or aib, i/o area, [ssa]	DB/DC, DBCTL, DB batch, ODBA
GHNP	Get Hold Next in Parent	Retrieves dependents sequentially	function, db pcb or aib, i/o area, [ssa]	DB/DC, DBCTL, DB batch, ODBA
GHUb	Get Hold Unique	Retrieves segments and establishes a starting position in the database	function, db pcb or aib, i/o area, [ssa]	DB/DC, DBCTL, DB batch, ODBA
GNbb	Get Next	Retrieves subsequent message segments	function, db pcb or aib, i/o area, [ssa or rsa]	DB/DC, DBCTL, DB batch, ODBA
GNPb	Get Next in Parent	Retrieves dependents sequentially	function, db pcb or aib, i/o area, [ssa]	DB/DC, DBCTL, DB batch, ODBA
GUbb	Get Unique	Retrieves segments and establishes a starting position in the database	function, db pcb or aib, i/o area, [ssa or rsa]	DB/DC, DBCTL, DB batch, ODBA
GUR	Get Unique Record	Retrieves a complete record from the IMS catalog in XML format	function, aib, i/o area, [ssa]	DB/DC, DBCTL, DB batch, ODBA
ISRT	Insert	Loads and adds one or more segments to the database	function, db pcb or aib, i/o area, [ssa or rsa]	DB/DC, DCCTL, DB batch, ODBA
OPEN	Open	Opens a GSAM database explicitly	function, gsam pcb or aib, [i/o area]	DB/DC, DBCTL, DB batch, ODBA

Table 1. Summary of DB calls (continued)

Function Code	Meaning and Use	Options	Parameters	Valid for
POSb	Position	Retrieves the location of a specific dependent or last-inserted sequential dependent segment	function, db pcb or aib, i/o area, [ssa]	DB/DC, DBCTL, DB batch, ODBA
REPL	Replace	Changes values of one or more fields in a segment	function, db pcb or aib, i/o area, [ssa]	DB/DC, DBCTL, DB batch, ODBA
RLSE	Release Locks	Releases all locks held for unmodified data	function, db pcb	DB/DC, DBCTL, DB batch, ODBA

CIMS call

The CIMS call is used to initialize and terminate the ODBA interface in a z/OS application region.

Format

►► CIMS — aib ◄◄

Call Name	DB/DC	IMS DB	DCCTL	DB Batch	TM Batch
CIMS	X	X			

Parameters

aib

Specifies the application interface block (AIB) that is used for the call. This parameter is an input and output parameter.

These fields must be initialized in the AIB:

AIBID

Eye-catcher. This 8-byte field must contain DFSAIBbb.

AIBLEN

AIB lengths. This field must contain the actual length of the AIB that the application program obtained.

AIBRSNM1

Character value.

AIBSFUNC

Subfunction code. This field must contain one of the 8-byte subfunction codes as follows:

INIT

AIBRSNM2. A 4-character ID of the ODBA startup table.

CONNECT

AIBRSA1. Address of the CONNECT parameter list.

The following table shows the CIMS CONNECT parameter list format.

Table 2. CIMS CONNECT parameter list format

Offset	Length	Field	Usage description
X'00'	X'04'	Input	Count of connect request table entries.
X'04'	X'04'	Input	Address of the connect request table.

TERM

AIBRSNM2. A 4-character ID of the ODBA startup table that represents the IMS connection that is to be terminated.

TALL

Terminate all IMS connections.

Usage

The CIMS call is used by an application program that is running in an application address space to establish or terminate the ODBA environment.

INITbbbb

The CIMS subfunction INIT must be issued by the application to establish the ODBA environment in the z/OS application address space.

Optionally, AIBRSNM2 can specify the 4-character ID of the ODBA Startup table member. This member is named DFSxxxx0 where xxxx is equal to the 4-character ID. If AIBRSNM2 is specified, ODBA tries to establish a connection to the IMS specified in the DFSxxxx0 member after the ODBA environment is initialized in the z/OS application address space.

CONNECTb

Use the CIMS CONNECT call to establish multiple ODBA connections to IMS systems from the CSL Open Database Manager (ODBM).

A CIMS CONNECT call can be issued instead of, or in addition to, a CIMS INIT call. A CIMS CONNECT call will initialize ODBA if ODBA has not already been initialized. To complete initialization only, issue a CIMS CONNECT call with AIBRSA1 set to -1 (X'FFFFFFFF').

The connect request table contains one or more connect request entries in contiguous storage. Each entry contains the following fields:

- A 1- to 4-character alias name, left justified and padded on the right with blanks. The alias name is the value (cccc) taken from the startup properties table DFScccc0. This parameter is required.
- A 4-byte address of the connection properties table (DFSPRP) or 0.

A value of 0 indicates that ODBA must load DFScccc0 to obtain the IMS connection properties. This member is constructed by specifying the DFSPRP macro in DFScccc0, and then assembling and linking the member. This member must be in the STEPLIB or JOBLIB of the ODBA application job.

A nonzero value indicates that the caller is passing the address of the connection properties parameter table. The connection properties parameters are mapped by the DFSPRP macro.

- A 4-byte field to contain the connection request return code. The return code is one of the AIBRETRN codes.
- A 4-byte field to contain the connection request reason code. The reason code is one of the AIBREASN codes.
- A 4-byte field to contain the connection request error extension information code. The error extension contains additional diagnostic information specific to the return and reason codes.

The following table summarizes the CIMS CONNECT table entry format.

Table 3. CIMS CONNECT table entry format

Offset	Length	Field	Usage description
X'00'	X'04'	Input	1- to 4-character IMS alias name (cccc) from the startup properties table DFScccc0, where cccc is the alias name.
X'04'	X'04'	Input	0 or the address of an ODBA startup properties table. A value of 0 indicates that ODBA must load a startup properties table named DFScccc0, where cccc is the supplied alias name. An address indicates that the caller is supplying the startup properties table. The table is mapped by the DFSPRP macro.
X'08'	X'04'	Output	Connect request return code for this entry.
X'0C'	X'04'	Output	Connect request reason code for this entry.
X'10'	X'04'	Output	Connect request error extension code for this entry.

TERMbbbb

The CIMS subfunction TERM can be issued to terminate one IMS connection. AIBRSNM2 specifies the 4-character ID of the startup table member that represents the IMS connection to be terminated. On completion of the TERM subfunction, the ODBA environment remains intact in the z/OS application address space.

Note: If the application that issued CIMS INIT chooses to return to the operating system following completion of the CIMS TERM, the address space will terminate with a system abend A03. This can be avoided by issuing the CIMS TALL prior to returning to the operating system

TALLbbbb

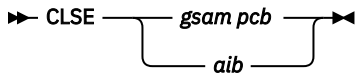
The CIMS subfunction TALL must be issued to terminate all IMS connections and terminate the ODBA environment in the application address space.

CLSE call

The close (CLSE) call is used to explicitly close a GSAM database.

For more information on GSAM, see the topic "Processing GSAM Databases" in *IMS Version 15.5 Application Programming*.

Format



	Call Name	DB/DC	DBCTL	DCCTL	DB Batch	TM Batch
For GSAM:	CLSE	X	X	X	X	X

Parameters

gsam pcb

Specifies the GSAM PCB for the call. This parameter is an input and output parameter.

aib

Specifies the AIB for the call. This parameter is an input and output parameter. These fields must be initialized in the AIB:

AIBID

Eye catcher. This 8-byte field must contain DFSAIBbb.

AIBLEN

AIB length. This field must contain the actual length of the AIB that the application program obtained.

AIBRSNM1

Resource name. This 8-byte, left-justified field must contain the name of a GSAM PCB.

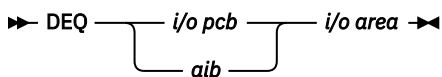
Usage

For information on using CLSE, see the topic "Explicit Open and Close Calls to GSAM" in *IMS Version 15.5 Application Programming*.

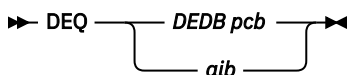
DEQ call

The Dequeue (DEQ) call is used to release a segment that is retrieved using the Q command code.

Format (full function)



Format (Fast Path DEDB)



	Call Name	DB/DC	DBCTL	DCCTL	DB Batch	TM Batch
For Full-Function and DEDB:	DEQ	X	X		X	

Parameters

DEDB pcb (Fast Path only)

Specifies any DEDB PCB for the call.

i/o pcb (full function only)

Specifies the I/O PCB for the DEQ call. This is an input and output parameter.

aib

Specifies the AIB for the call. This is an input and output parameter. These fields must be initialized in the AIB:

AIBID

Eye catcher. This 8-byte field must contain DFSAIBbb.

AIBLEN

AIB lengths. This field must contain the actual length of the AIB that the application program obtained.

AIBRSNM1

Resource name. This 8-byte, left-justified field must contain the PCB name IOPCBbbb.

AIBOALEN

I/O area length. This field must contain the length of the I/O area specified in the call list.

i/o area (full function only)

Specifies the 1-byte area containing a letter (A-J), which represents the lock class of the locks to be released. This is a mandatory input parameter.

Usage

The DEQ call releases all segments that are retrieved using the Q command code, except:

- Segments modified by your program, until your program reaches a commit point
- Segments required to keep your position in the hierarchy, until your program moves to another database record
- A class of segments that has been locked using a different lock class

If your program only reads segments, it can release them by issuing a DEQ call. If your program does not issue a DEQ call, IMS releases the reserved segments when your program reaches a commit point. By releasing the segments with a DEQ call before your program reaches a commit point, you make them available to other programs more quickly.

For more information on the relationship between the DEQ call and the Q command code, see the topic "Reserving Segments for the Exclusive Use of Your Program" in *IMS Version 15.5 Application Programming*.

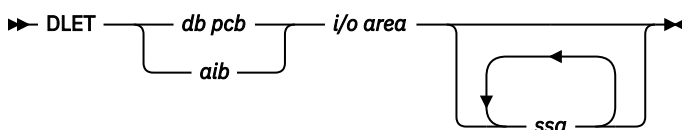
Restrictions

In a CICS DL/I environment, calls made from one CICS (DBCTL) system are supported in a remote CICS DL/I environment, if the remote environment is also CICS (DBCTL).

DLET call

The Delete (DLET) call is used to remove a segment and its dependents from the database.

Format



	Call Name	DB/DC	DBCTL	DCCTL	DB Batch	TM Batch
For Full-Function:	DLET	X	X		X	
For DEDB:	DLET	X	X			
For MSDB:	DLET	X				

Parameters

db pcb

Specifies the DB PCB for the call. This parameter is an input and output parameter.

aib

Specifies the AIB for the call. This parameter is an input and output parameter. These fields must be initialized in the AIB:

AIBID

Eye catcher. This 8-byte field must contain DFSAIBbb.

AIBLEN

AIB lengths. This field must contain the actual length of the AIB that the application program obtained.

AIBRSNM1

Resource name. This 8-byte, left-justified field must contain the name of a DB PCB.

AIBOALEN

I/O area length. This field must contain the length of the I/O area specified in the call list.

i/o area

Specifies the I/O area in your program that communicates with IMS. This parameter is an input parameter. Before deleting a segment, you must first issue a Get Hold call to place the segment in the I/O area. You can then issue the DLET call to delete the segment and its dependents in the database.

ssa

Specifies the SSA, if any, to be used in the call. This parameter is an input parameter. The SSA that you supply in the call point to data areas in your program where the SSAs have been defined for the call. You can use only one SSA in the parameter. This parameter is optional for the DLET call.

Usage

The DLET call must be preceded by one of the three Get Hold calls. When you issue the DLET call, IMS deletes the held segment, along with all its physical dependents from the database, *regardless of whether your program is sensitive to all of these segments*. IMS rejects the DLET call if the preceding call for the PCB was not a Get Hold, REPL, or DLET call. If the DLET call is successful, the previously retrieved segment and all of its dependents are removed from the database and cannot be retrieved again.

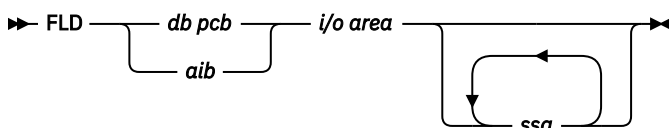
If the Get Hold call that precedes the DLET call is a path call, and you do not want to delete all the retrieved segments, you must indicate to IMS which of the retrieved segments (and its dependents, if any) you want deleted; to do this, specify an unqualified SSA for that segment. Deleting a segment this way automatically deletes all dependents of the segment. Only one SSA is allowed in the DLET call, and this is the only time a SSA is applicable in a DLET call.

No command codes apply to the DLET call. If you use a command code in a DLET call, IMS disregards the command code.

FLD call

The Field (FLD) call is used to access a field within a segment for MSDBs or DEDBs.

Format



	Call Name	DB/DC	DBCTL	DCCTL	DB Batch	TM Batch
For MSDB:	FLD	X				

	Call Name	DB/DC	DBCTL	DCCTL	DB Batch	TM Batch
For DEDB:	FLD	X	X			

Parameters

db pcb

Specifies the DB PCB for the call. This parameter is an input and output parameter.

aib

Specifies the AIB for the call. This parameter is an input and output parameter. These fields must be initialized in the AIB:

AIBID

Eye catcher. This 8-byte field must contain DFSAIBbb.

AIBLEN

AIB lengths. This field must contain the actual length of the AIB that the application program obtained.

AIBRSNM1

Resource name. This 8-byte, left-justified field must contain the name of a DB PCB.

AIBOALEN

I/O area length. This field must contain the length of the I/O area specified in the call list.

i/o area

Specifies your program's I/O area, which contains the field search argument (FSA) for this call. This parameter is an input parameter.

ssa

Specifies the SSA, if any, that you want to use in this call. You can use up to 15 SSAs in this input parameter. The SSA that you supply will point to those data areas that you have defined for the call. This parameter is optional for the FLD call.

Usage

Use the FLD call to access and change the contents of a field within a segment.

The FLD call does two things for you: it compares the value of a field to the value you supply (FLD/VERIFY), and it changes the value of the field in the way that you specify (FLD/CHANGE).

All DL/I command codes are available to DEDBs, using the FLD call. The FLD call formats for DEDBs are the same as for other DL/I calls. So, if your MSDBs have been converted to DEDBs, you do not need to change application programs that use the FLD call.

You can also use the FLD call in application programs for DEDBs, instead of the combination of GHU, REPL, and DL/I calls.

FSAs

The field search argument (FSA) is equivalent to the I/O area that is used by other DL/I database calls. For a FLD call, data is not moved into the I/O area; rather, the FSAs are moved into the I/O area.

Multiple FSAs are allowed on one FLD call. This is specified in the FSA's connector field. Each FSA can operate on either the same or different fields within the target segment.

The FSA that you reference in a FLD call contains five fields. The rules for coding these fields are as follows:

Field name

This field must be 8 bytes long. If the field name you are using is less than 8 bytes, the name must be left-justified and padded on the right with blanks.

FSA status code

This field is 1 byte. After a FLD call, IMS returns one of these status codes to this area:

- b** Successful
- A** Invalid operation
- B** Operand length invalid
- C** Invalid call—program tried to change key field
- D** Verify check was unsuccessful
- E** Packed decimal or hexadecimal field is invalid
- F** Program tried to change an unowned segment
- G** Arithmetic overflow
- H** Field not found in segment

Op code

This 1-byte field contains one of these operators for a change operation:

- +** To add the operand to the field value
- To subtract the operand from the field value
- =** To set the field value to the value of the operand

For a verify operation, this field must contain one of the following:

- E** Verify that the field value and the operand are equal.
- G** Verify that the field value is greater than the operand.
- H** Verify that the field value is greater than or equal to the operand.
- L** Verify that the field value is less than the operand.
- M** Verify that the field value is less than or equal to the operand.
- N** Verify that the field value is not equal to the operand.

Operand

This variable length field contains the value that you want to test the field value against. The data in this field must be the same type as the data in the segment field. (You define this in the DBD.) If the data is hexadecimal, the value in the operand is twice as long as the field in the database. If the data is packed decimal, the operand does not contain leading zeros, so the operand length might be shorter than the actual field. For other types of data, the lengths must be equal.

Connector

This 1-byte field must contain a blank if this is the last or only FSA, or an asterisk (*) if another FSA follows this one.

The format of SSA in FLD calls is the same as the format of SSA in DL/I calls. If no SSA exists, the first segment in the MSDB or DEDB is retrieved.

Related concepts

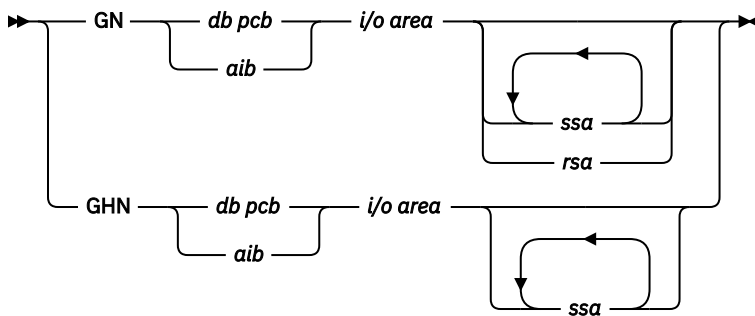
[Commit-point processing in MSDBs and DEDBs \(Application Programming\)](#)

[Updating segments: REPL, DLET, ISRT, and FLD \(Application Programming\)](#)

GN/GHN call

The Get Next (GN) call is used to retrieve segments sequentially from the database. The Get Hold Next (GHN) is the hold form for a GN call.

Format



	Call Name	DB/DC	DBCTL	DCCTL	DB Batch	TM Batch
For Full-Function:	GN/GHN	X	X		X	
For GSAM:	GN	X	X	X	X	X
For DEDB:	GN	X	X	X		
For MSDB:	GN	X				

Parameters

db pcb

Specifies the DB PCB for the call. This parameter is an input and output parameter.

aib

Specifies the AIB for the call. This parameter is an input and output parameter. These fields must be initialized in the AIB:

AIBID

Eye catcher. This 8-byte field must contain DFSAIBbb.

AIBLEN

AIB lengths. This field must contain the actual length of the AIB that the application program obtained.

AIBRSNM1

Resource name. This 8-byte, left-justified field must contain the name of a DB PCB.

AIBOALEN

I/O area length. This field must contain the length of the I/O area specified in the call list.

i/o area

Specifies the I/O area. This parameter is an output parameter. When you issue one of the Get calls successfully, IMS returns the requested segment to this area. If your program issues any path calls, the I/O area must be long enough to hold the longest path of concatenated segments following a path call. This area always contains left-justified segment data. The I/O area points to the first byte of this area.

When you use the GN call with GSAM, the area named by the *i/o area* parameter contains the record you are retrieving.

ssa

Specifies the SSA, if any, to be used in the call. This parameter is an input parameter. The SSA that you supply in the call point to data areas in your program where the SSA have been defined for the call. You can use up to 15 SSAs in the parameter. This parameter is optional for the GN call.

rsa

Specifies the area in your program where the RSA for the record should be returned. This output parameter is used for GSAM only and is optional. See the topic "GSAM Data Areas" in *IMS Version 15.5 Application Programming* for more information on RSAs.

Usage: Get Next (GN)

A Get Next (GN) call is a request for a segment, as described by the SSA you supply, that is linked to the call that was issued prior to the GN call. IMS starts its search at the current position.

When you use the GN call:

- Processing moves forward from current position (unless the call includes the F command code).
- IMS uses the current position (that was set by the previous call) as the search starting point.
- The segment retrieved is determined by a combination of the next sequential position in the hierarchy and the SSA included in the call.
- Be careful when you use GN, because it is possible to use SSAs that force IMS to search to the end of the database without retrieving a segment. This is particularly true with the "not equal" or "greater than" relational operators.

A GN call retrieves the next segment in the hierarchy that satisfies the SSA that you supplied. Because the segment retrieved by a GN call depends on the current position in the hierarchy, GN is often issued after a GU call. If no position has been established in the hierarchy, GN retrieves the first segment in the database. A GN call retrieves a segment or path of segments by moving forward from the current position in the database. As processing continues, IMS looks for segments at each level to satisfy the call.

For example, sequential retrieval in a hierarchy is always top to bottom and left to right. For example, if you repeatedly issue unqualified GN calls against the hierarchy in the following figure, IMS returns the segment occurrences in the database record in this order:

1. A1 (the root segment)
2. B1 and its dependents (C1,D1,F1,D2,D3,E1,E2, and G1)
3. H1 and its dependents (I1,I2,J1, and K1).

If you issue an unqualified GN again after IMS has returned K1, IMS returns the root segment occurrence whose key follows segment A1 in the database.

A GN call that is qualified with the segment type can retrieve all the occurrences of a particular segment type in the database.

For example, if you issue a GN call with qualified SSAs for segments A1 and B1, and an unqualified SSA for segment type D, IMS returns segment D1 the first time you issue the call, segment D2 the second time you issue the call, and segment D3 the third time you issue the call. If you issue the call a fourth time, IMS returns a status code of GE, which means that IMS could not find the segment you requested.

You can use unqualified GN calls to retrieve all of the occurrences of a segment in a hierarchy, in their hierarchic sequence, starting at the current position. Each unqualified GN call retrieves the next sequential segment forward from the current position. For example, to answer the processing request:

Print out the entire medical database.

You would issue an unqualified GN call repeatedly until IMS returned a GB status code, indicating that it had reached the end of the database without being able to satisfy your call. If you issued the GN again after the GB status code, IMS would return the first segment occurrence in the database.

Like GU, a GN call can have as many SSAs as the hierarchy has levels. Using fully qualified SSAs with GN calls clearly identifies the hierarchic path and the segment you want, thus making it useful in documenting the call.

A GN call with an unqualified SSA retrieves the next occurrence of that segment type by going forward from the current position.

GN with a qualified SSA retrieves the next occurrence of the specified segment type that satisfies the SSAs.

When you specify a GN that has multiple SSAs, the presence or absence of unqualified SSAs in the call has no effect on the operation unless you use command codes on the unqualified SSA. IMS uses only qualified SSAs plus the last SSA to determine the path and retrieve the segment. Unspecified or unqualified SSAs for higher-level segments in the hierarchy mean that any high-level segment that is the parent of the correct lower-level, specified or qualified segment will satisfy the call.

A GN call with a SSA that is qualified on the key of the root can produce different results from a GU with the same SSA, depending on the position in the database and the sequence of keys in the database. If the current position in the database is beyond a segment that would satisfy the SSA, the segment is not retrieved by the GN. GN returns the GE status code if both of these conditions are met:

- The value of the key in the SSA has an upper limit that is set, for example, to less-than-or-equal-to the value.
- A segment with a key greater than the value in the SSA is found in a sequential search before the specified segment is found.

GN returns the GE status code, even though the specified segment exists and would be retrieved by a GU call.

Usage: Get Hold Next (GHN)

Before your program can delete or replace a segment, it must retrieve the segment and indicate to IMS that it is going to change the segment in some way. The program does this by issuing a Get call with a "hold" before deleting or replacing the segment. When the program has successfully retrieved the segment with a Get Hold call, it can delete the segment or change one or more fields (except the key field) in the segment.

The only difference between Get calls with a hold and Get calls without a hold is that the hold calls can be followed by REPL or DLET.

The hold status on the retrieved segment is canceled and must be reestablished before you reissue the DLET or REPL call. After issuing a Get Hold call, you can issue more than one REPL or DLET call to the segment if you do not issue intervening calls to the same PCB.

If you find out that you do not need to update it after issuing a Get Hold call, you can continue with other processing without releasing the segment. The segment is freed as soon as the current position changes—when you issue another call to the same PCB that you used for the Get Hold call. In other words, a Get Hold call must precede a REPL or DLET call. However, issuing a Get Hold call does not require you to replace or delete the segment.

Usage: HDAM, PHDAM, or DEDB database with GN

For database organizations other than HDAM, PHDAM, and DEDB, processing the database sequentially using GN calls returns the root segments in ascending key sequence. However, the order of the root segments for a HDAM, PHDAM, or DEDB database depends on the randomizing routine that is specified for that database. Unless a sequential randomizing routine was specified, the order of the root segments in the database is not in ascending key sequence.

For a hierarchic direct access method (HDAM, PHDAM) or a DEDB database, a series of unqualified GN calls or GN calls that are qualified only on the root segment:

1. Returns all the roots from one anchor point
2. Moves to the next anchor point
3. Returns the roots from the anchor point

Unless a sequential randomizing routine was specified, the roots on successive anchor points are not in ascending key sequence. One situation to consider for HDAM, PHDAM, and DEDB organizations is when a GN call is qualified on the key field of the root segment with an equal-to operator or an equal-to-or-greater-than operator. If IMS has an existing position in the database, it checks to ensure that the requested key is equal to or greater than the key of the current root. If it is not, a GE status code is returned. If it is equal to or greater than the current key and is not satisfied using the current position, IMS calls the randomizing routine to determine the anchor point for that key. IMS tries to satisfy the call starting with the first root of the selected anchor.

Restrictions

You can use GN to retrieve the next record of a GSAM database, but GHN is not valid for GSAM.

Related reference

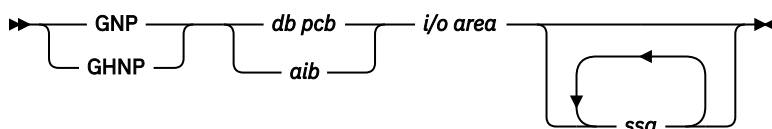
“GNP/GHNP call” on page 14

The Get Next in Parent (GNP) call is used to retrieve dependents sequentially. The Get Hold Next in Parent (GHNP) call is the hold form for the GNP call.

GNP/GHNP call

The Get Next in Parent (GNP) call is used to retrieve dependents sequentially. The Get Hold Next in Parent (GHNP) call is the hold form for the GNP call.

Format



	Call Name	DB/DC	DBCTL	DCCTL	DB Batch	TM Batch
For Full-Function:	GNP/GHNP	X	X		X	
For DEDB:	GNP/GHNP	X	X	X		
For MSDB:	GNP/GHNP	X				

Parameters

db pcb

Specifies the DB PCB for the call. This parameter is an input and output parameter.

aib

Specifies the AIB for the call. This parameter is an input and output parameter. These fields must be initialized in the AIB:

AIBID

Eye catcher. This 8-byte field must contain DFSAIBbb.

AIBLEN

AIB lengths. This field must contain the actual length of the AIB that the application program obtained.

AIBRSNM1

Resource name. This 8-byte, left-justified field must contain the name of a DB PCB.

AIBOALEN

I/O area length. This field must contain the length of the I/O area specified in the call list.

i/o area

Specifies the I/O area. This parameter is an output parameter. When you issue the Get call successfully, IMS returns the requested segment to this area. If your program issues any path calls,

the I/O area must be long enough to hold the longest path of concatenated segments following a path call. The segment data that this area contains is always left-justified. The I/O area points to the first byte of this area.

ssa

Specifies the SSA, if any, to be used in the call. This parameter is an input parameter. The SSA you supply in the call point to data areas in your program in which you have defined the SSAs for the call. You can use up to 15 SSAs for this parameter. This parameter is optional for the GNP call.

Usage: Get Next in Parent (GNP)

A GNP call retrieves segments sequentially. The difference between a GN and a GNP is that GNP limits the segments that can satisfy the call to the dependent segments of the established parent.

An unqualified GNP retrieves the first dependent segment occurrence under the current parent. If your current position is already on a dependent of the current parent, an unqualified GNP retrieves the next segment occurrence.

If you are moving forward in the database, even if you are not retrieving every segment in the database, you can use GNP to restrict the returned segments to only those children of a specific segment.

Linking with previous DL/I calls

A GNP call is linked to the previous DL/I calls that were issued by your program in two ways:

- Current position: The search for the requested segment starts at the current position established by the preceding GU, GN, or GNP call.
- Parentage: The search for the requested segment is limited to the dependents of the lowest-level segment most recently accessed by a GU or GN call. Parentage determines the end of the search and is in effect only following a successful GU or GN call.

Processing with parentage

You can set parentage in two ways:

- By issuing a successful GU or GN call. When you issue a successful GU or GN call, IMS sets parentage at the lowest-level segment returned by the call. Issuing another GU or GN call (but against a different PCB) does not affect the parentage that you set using the first PCB in the previous call. An unsuccessful GU or GN call cancels parentage.
- By using the P command code with a GU, GN, or GNP call, you can set parentage at any level.

How DL/I calls affect parentage

A GNP call does not affect parentage unless it includes the P command code.

Unless you are using a secondary index, REPL does not affect parentage. If you are using a secondary index, and you replace the indexed segment, parentage is lost.

A DLET call does not affect parentage unless you delete the established parent. If you do delete the established parent, you must reset parentage before issuing a GNP call.

ISRT affects parentage only when you insert a segment that is not a dependent of the established parent. In this case, ISRT cancels parentage. If the segment you are inserting is a dependent at some level of the established parent, parentage is unaffected. For example, in the topic "Position after ISRT" in *IMS Version 15.5 Application Programming*, assume segment B11 is the established parent. Neither of these two ISRT calls would affect parentage:

```
ISRT  Abbbbbbb(AKEYbbbb=A1)
      Bbbbbbbb(BKEYbbbb=bB11)
      Cbbbbbbb

ISRT  Abbbbbbbb(AKEYbbbb=bA1)
      Bbbbbbbbb(BKEYbbbb=bB11)
      Cbbbbbbb(CKEYbbbb=bC111)
      Dbbbbbbb
```

The following ISRT call would cancel parentage, because the F segment is not a direct dependent of B, the established parent:

```
ISRT  Abbbbbbbb(AKEYbbb=bA1)
      Fbbbbbbbb
```

You can include one or more SSAs in a GNP call. The SSA can be qualified or unqualified. Without SSAs, a GNP call retrieves the next sequential dependent of the established parent. The advantage of using SSAs with GNP is that they allow you to point IMS to a specific dependent or dependent type of the established parent.

A GNP with an unqualified SSA sequentially retrieves the dependent segment occurrences of the segment type you have specified under the established parent.

A GNP with a qualified SSA describes to IMS the segment you want retrieved or the segment that is to become part of the hierarchic path to the segment you want retrieved. A qualified GNP describes a unique segment only if it is qualified on a unique key field and not a data field or a non-unique key field.

A GNP with multiple SSAs defines the hierarchic path to the segment you want. If you specify SSAs for segments at levels above the established parent level, those SSAs must be satisfied by the current position at that level. If they cannot be satisfied using the current position, a GE status code is returned and the existing position remains unchanged. The last SSA must be for a segment that is below the established parent level. If it is not, a GP status code is returned. Multiple unqualified SSAs establish the first occurrence of the specified segment type as part of the path you want. If some SSAs between the parent and the requested segment in a GNP call are missing, they are generated internally as unqualified SSAs. This means that IMS includes the first occurrence of the segment from the missing SSAs as part of the hierarchic path to the segment you have requested.

Usage: Get Hold Next in Parent (GHNP)

Retrieval for the GHNP call is the same as for the GHN call.

Related concepts

[How secondary indexing affects your program \(Application Programming\)](#)

Related reference

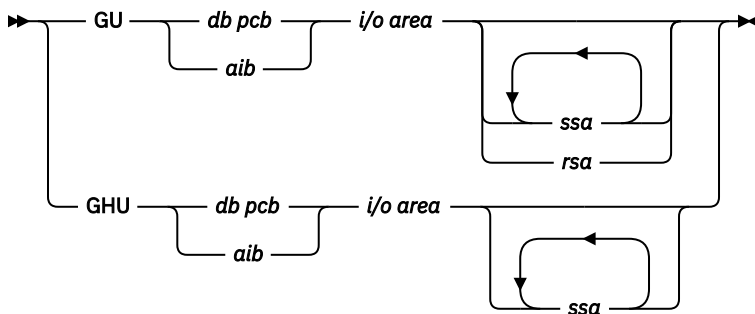
[“GN/GHN call” on page 11](#)

The Get Next (GN) call is used to retrieve segments sequentially from the database. The Get Hold Next (GHN) is the hold form for a GN call.

GU/GHU call

The Get Unique (GU) call is used to directly retrieve segments and to establish a starting position in the database for sequential processing. The Get Hold Unique (GHU) is the hold form for a GU call.

Format



	Call Name	DB/DC	DBCTL	DCCTL	DB Batch	TM Batch
For Full-Function:	GU/GHU	X	X		X	

	Call Name	DB/DC	DBCTL	DCCTL	DB Batch	TM Batch
For GSAM:	GU	X	X	X	X	X
For DEDB:	GU	X	X			
For MSDB:	GU	X				

Parameters

db pcb

Specifies the DB PCB for the call. This parameter is an input and output parameter.

aib

Specifies the AIB for the call. This parameter is an input and output parameter. These fields must be initialized in the AIB:

AIBID

Eye catcher. This 8-byte field must contain DFSAIBbb.

AIBLEN

AIB lengths. This field must contain the actual length of the AIB that the application program obtained.

AIBRSNM1

Resource name. This 8-byte, left-justified field must contain the name of a DB PCB.

AIBOALEN

I/O area length. This field must contain the length of the I/O area specified in the call list.

i/o area

Specifies the I/O area. This parameter is an output parameter. When you issue one of the Get calls successfully, IMS returns the requested segment to this area. If your program issues any path calls, the I/O area must be long enough to hold the longest path of concatenated segments following a path call. The segment data that this area contains is always left-justified. The I/O area points to the first byte of this area.

When you use the GU call with GSAM, the area named by the *i/o area* parameter contains the record you are retrieving.

ssa

Specifies the SSA, if any, to be used in the call. This parameter is an input parameter. The SSA you supply in the call point to data areas in your program where you have defined the SSAs for the call. You can use up to 15 SSAs for the parameter. This parameter is optional for the GU call.

rsa

Specifies the area in your program that contains the record search argument. This required input parameter is only used for GSAM. See the topic "GSAM Data Areas" in *IMS Version 15.5 Application Programming* for more information on RSAs.

Usage: Get Unique (GU)

GU is a request for a segment, as described by the SSAs you supply. You use it when you want a specific segment. You can also use it to establish your position in the database.

The GU call is the only call that can establish position backward in the database. (The GN and GNP calls, when used with the F command code, can back up in the database, but with limitations. Unlike GN and GNP, a GU call does not move forward in the database automatically.)

If you issue the same GU call repeatedly, IMS retrieves the same segment each time you issue the call. If you want to retrieve only particular segments, use fully qualified GUs for these segments instead of GNs. If you want to retrieve a specific segment occurrence or obtain a specific position within the database, use GU.

If you want to retrieve a specific segment or to set your position in the database to a specific place, you generally use qualified GU calls. A GU call can have the same number of SSAs as the hierarchy has levels, as defined by the DB PCB. If the segment you want is on the fourth level of the hierarchy, you can use four SSAs to retrieve the segment. (No reason would ever exist to use more SSAs than levels in the hierarchy. If your hierarchy has only three levels, you would never need to locate a segment lower than the third level.) The following is additional information for using the GU call with SSAs:

- A GU call with an unqualified SSA at the root level attempts to satisfy the call by starting at the beginning of the database. If the SSA at the root level is the only SSA, IMS retrieves the first segment in the database.
- A GU call with a qualified SSA can retrieve the segment described in the SSA, regardless of that segment's location relative to current position.
- When you issue a GU that mixes qualified and unqualified SSAs at each level, IMS retrieves the first occurrence of the segment type that satisfies the call.
- If you leave out an SSA for one of the levels in a GU call that has multiple SSAs, IMS assumes an SSA for that level. The SSA that IMS assumes depends on current position:
 - If IMS has a position established at the missing level, the SSA that IMS uses is derived from that position, as reflected in the DB PCB.
 - If IMS does not have a position established at the missing level, IMS assumes an unqualified SSA for that level.
 - If IMS moves forward from a position established at a higher level, IMS assumes an unqualified SSA for that level.
 - If the SSA for the root level is missing, and IMS has position established on a root, IMS does not move from that root when trying to satisfy the call.

Usage: Get Hold Unique (GHU)

Before your program can delete or replace a segment, it must retrieve the segment and indicate to IMS that it is going to change the segment in some way. The program does this by issuing a Get call with a "hold" before deleting or replacing the segment. Once the program has successfully retrieved the segment with a Get Hold call, it can delete the segment or change one or more fields (except the key field) in the segment.

The only difference between Get calls with a hold and without a hold is that the hold calls can be followed by a REPL or DLET call.

The hold status on the retrieved segment is canceled and must be reestablished before you reissue the DLET or REPL call. After issuing a Get Hold call, you can issue more than one REPL or DLET call to the segment if you do not issue intervening calls to the same PCB.

If you find out that you do not need to update it after issuing a Get Hold call, you can continue with other processing without releasing the segment. The segment is freed as soon as the current position changes—when you issue another call to the same PCB you used for the Get Hold call. In other words, a Get Hold call must precede a REPL or DLET call. However, issuing a Get Hold call does not require you to replace or delete the segment.

Restrictions

You can use GU to retrieve the record with the RSA you provide with a GSAM database, but GHU is not valid for GSAM.

Related concepts

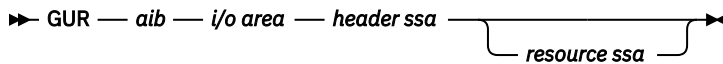
[“F command code” on page 203](#)

You can use the F command code to start the search with the first occurrence of a certain segment type or to insert a new segment as the first occurrence in a chain of segments.

GUR call

The Get Unique Record (GUR) call is used to retrieve entire records from the IMS catalog database. The records are returned as XML instance documents.

Format



Parameters

aib

Specifies the AIB for the call. This parameter is an input and output parameter. These fields must be initialized in the AIB:

AIBID

Eye catcher. This 8-byte field must contain DFSAIB**bb**.

AIBLEN

AIB lengths. This field must contain the actual length of the AIB that the application program obtained.

AIBRSNM1

Resource name. This 8-byte, left-aligned field must contain the name of a DB PCB.

AIBOALEN

I/O area length. This field must contain the length of the I/O area specified in the call list. This four-byte input parameter specifies the size of the I/O area in bytes that will hold the records retrieved from the IMS catalog database.

AIBRTKN

AIB return token. This 8-byte field contains a token value when a GUR call returns more data than can fit in the I/O area. You can retrieve the rest of the data by setting this field to the returned value and providing the same resource name and type in the SSA when you issue a subsequent GUR call. IMS returns the next block of data, and you can continue to issue sequential calls by continuing to set the AIBRTKN field until all of the data is retrieved.

A GUR call for a new resource is done if the resource name and type in the SSA do not match the resource name and type for the AIBRTKN.

If an invalid or unrecognized token value is specified, the call fails.

AIBOAUSE

Specifies the total length of the XML instance document returned by the GUR call. This value is set by IMS after a successful GUR call. The value is given in bytes.

When the value of the AIBOAUSE field is less than the value of the AIBOALEN field, the application program can retrieve the entire XML document from the I/O area.

When the value of the AIBOAUSE field is greater than the value of the AIBOALEN field, the application program must make additional GUR calls with the AIBRTKN value set to the returned token value of the first call to retrieve the entire XML instance document.

The size of the last GUR call in a linked series might not match the size of the remaining data. For example, a GUR call that returns 9000 bytes of data for a request with AIBOALEN=4096 requires three linked GUR calls to retrieve all of the data. The third call returns only 808 bytes of data in the I/O area.

The AIBOAUSE value is returned for all GUR calls in a linked series, and always reflects the total size of the XML instance document.

AIBRETRN

Return code.

AIBREASN

Reason code.

i/o area

Specifies the I/O area where IMS places the XML instance document returned by the call. This parameter is an output parameter. When you issue the calls successfully, IMS returns the requested record to this area. The XML instance document that this area contains is always left-aligned. The I/O area parameter points to the first byte of this area.

header ssa

Specifies the name of the HEADER segment to search for. This parameter is required.

resource ssa

Specifies the ACB generation timestamp of the DBD or PSB segment to search for. This parameter is optional and is valid only if a HEADER SSA is specified.

If the user ACB generation timestamp is not specified,IMS uses the time stamp for the active resource, either a DBD or PSB, in the ACBLIB to find the corresponding resource in the catalog.

Usage

The Get Unique Record (GUR) call is a request for a complete record from the IMS catalog.

Catalog records are returned as XML instance documents, and can be larger than the available I/O area. IMS stores a complete XML instance document for a successful GUR call in an internal retrieval cache and can return it to an application program in pieces that are each the size of the available I/O area. Each subsequent GUR call to retrieve another piece of the XML instance document must use the token value set by IMS in the AIBRTKN field after the original call.

The XML schemas for the documents returned as responses to this call are included in the IMS.ADFSSMPL data set:

- DFS3XDBD.xsd (for DBD records)
- DFS3XPSB.xsd (for PSB records)

You can use z/OS XML System Services to parse the response document. The z/OS XML parser is started as a callable service. The services stubs are shipped in CSSLIB.

A GUR call SSA must start with the HEADER segment.

A GUR call that is issued with an unqualified SSA attempts to satisfy the request by starting at the beginning of the target database. If the SSA at the root level is the only SSA, IMS retrieves the first segment in the database. A GUR call with a qualified SSA can retrieve the segment described in the SSA, regardless of the location of the segment relative to the current position of the cursor. The two levels of SSA qualification that can be used with a GUR call correspond to the levels of the DBD or PSB stored in the catalog.

The IMS catalog has a structure that uses a header segment as the root for each record. Each header segment instance has either a PSB or DBD child segment instance. This structure is important to understand because an unqualified GUR call (such as the following example) might not return the expected record.

GUR	HEADER
	PSB

This call locates the first record, which is always a DBD record because DBD precedes PSB in alphanumeric order. Because the first record does not contain a PSB segment instance, the call does

not return the first PSB record as expected. You must qualify the wanted record type at the level of the segment header:

```
GUR HEADER (TYPE = PSB )
      PSB
```

A GUR call that is issued without a qualification at the PSB or DBD level retrieves the record for the member that is currently active in the ACB library. If no catalog record is found that corresponds to the active member, the call fails with return code X'108' and reason code X'338'. This error occurs even if there are one or more catalog records for inactive members of the ACB library or records for members that do not currently exist in the ACB library. To retrieve those catalog records, you must determine the ACB generation timestamp for the member corresponding to the wanted catalog record and include it as a PSB or DBD-level qualification.

For example, the following GUR call fails if there is no active ACB library member for BMP255:

```
GUR HEADER (RHDRSEQ ==PSB BMP255 )
```

To retrieve the record for an inactive or removed ACB library member, add an SSA qualification for the correct ACB generation timestamp:

```
GUR HEADER (RHDRSEQ ==PSB BMP255 )
      PSB (TSVERS ==xxxxxxxxxxxxxx)
```

Restriction: A GUR call that is not qualified with a timestamp always fails in environments without an active ACB library, such as batch regions.

IMS returns the active or last instance of the record in catalog or a return code if the following conditions are met:

- You specify the resource ssa with no ACB generation timestamp of the record of your choice.
- IMS is unable to find the timestamp for the active record in the ACBLIB or in the catalog header.
- Depending on whether the pending timestamp in the catalog header is zero or not:
 - If the pending timestamp is zero, which indicates that the record is activated and copied from the catalog staging data to the directory data sets, IMS returns the last instance of the record.
 - If the pending timestamp is non-zero, which indicates that the record is still in the catalog staging data set and is yet to be activated by the IMPORT DEFN SOURCE(CATALOG) command so that it is placed in the directory data sets, IMS returns the AIB return code X'108' and reason code X'338', which means that the active record was not found in the catalog.

Special AIB return and reason codes

The following combinations of AIB return and reason codes have specific meanings for the GUR call:

AIBRETRN = X'000' (CALLCOMP)

AIBREASN = X'000' (CALLOK)

The GUR call completed successfully.

AIBRETRN = X'100' (CALLOKWE)

AIBREASN = X'00C' (PARTDATA)

The XML response document did not fit in the I/O area. A GUR continuation token is set in the AIBRTKN field.

AIBRETRN = X'004' (CALLOKWI)

AIBREASN = X'004' (LASTSEG)

This GUR call contains the last portion of response data for a continued GUR call that was previously issued. The GUR continuation token for the call is now invalid.

AIBRETRN = X'104' (APPLERR)

AIBREASN = X'224' (INVAOITK)

The GUR continuation token passed with the call is invalid.

AIBRETRN = X'104' (APPLERR)

AIBREASN = X'248' (INVPCBN)

The correct PCB name specified to access the IMS™ catalog was not found.

AIBRETRN = X'104' (APPLERR)

AIBREASN = X'404' (INVFUNC)

The function code specified on the DL/I call was unknown or invalid.

AIBRETRN = X'108' (SYSERROR)

AIBREASN = X'338' (NOCATACB)

The requested catalog member is not in the catalog. IMS searched for a member with the timestamp of the active ACBLIB member, but no member with a matching timestamp was found.

AIBRETRN = X'108' (SYSERROR)

AIBREASN = X'340' (NOGURDLI)

The GUR call did not find the specified IMS catalog resource in the batch region.

AIBRETRN = X'108' (SYSERROR)

AIBREASN = X'342' (NOGURXML)

The GUR call was unable to build a valid XML response document.

AIBRETRN = X'108' (SYSERROR)

AIBREASN = X'344' (NOGURNFD)

The requested catalog member is not in the catalog.

Example

The following GUR example retrieves the catalog record for the DBD named DX41SK01

```
GUR HEADER (RHDRSEQ==DBD DX41SK01)
```

Restrictions

The GUR call is valid only for retrieving records from the IMS catalog database. If a user PSB is used, the IMS catalog database must be available, and CATPSBATTACH in the CATALOG section of DFSDFXxx must be set to YES.

The GUR call is only supported by the AIB interface.

SSA command codes are not allowed.

Related concepts

[Application programming with the IMS catalog \(Application Programming\)](#)

[Overview of the IMS catalog \(Database Administration\)](#)

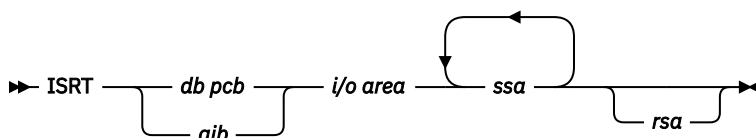
Related reference

[AIB return and reason codes \(Messages and Codes\)](#)

ISRT call

The Insert (ISRT) call is used to load a database and to add one or more segments to the database. You can use ISRT to add a record to the end of a GSAM database or for an alternate PCB that is set up for IAFP processing.

Format



	Call Name	DB/DC	DBCTL	DCCTL	DB Batch	TM Batch
For Full-Function:	ISRT	X	X		X	
For GSAM:	ISRT	X	X	X	X	X
For DEDB:	ISRT	X	X	X		
For MSDB:	ISRT	X				

Parameters

db pcb

Specifies the DB PCB for the call. This parameter is an input and output parameter.

aib

Specifies the AIB for the call. This parameter is an input and output parameter. These fields must be initialized in the AIB:

AIBID

Eye catcher. This 8-byte field must contain DFSAIBbb.

AIBLEN

AIB lengths. This field must contain the actual length of the AIB that the application program obtained.

AIBRSNM1

Resource name. This 8-byte, left-justified field must contain the name of a DB PCB.

AIBOALEN

I/O area length. This field must contain the length of the I/O area specified in the call list.

i/o area

Specifies the I/O area. This parameter is an input parameter. When you want to add a new segment to the database, you place the new segment in this area before issuing the ISRT call. This area must be long enough to hold the longest segment that IMS returns to this area. For example, if none of the segments your program retrieves or updates is longer than 48 bytes, your I/O area should be 48 bytes.

If your program issues any path calls, the I/O area must be long enough to hold the longest concatenated segment following a path call. The segment data that this area contains is always left-justified. The I/O area points to the first byte of this area.

When you use the ISRT call with GSAM, the area named by the *i/o area* parameter contains the record you want to add. The area must be long enough to hold these records.

ssa

Specifies the SSA, if any, to be used in the call. This parameter is an input parameter. The SSA you supply in the call point to data areas in your program where you have defined the SSAs for the call. You can use up to 15 SSAs on the call. This parameter is required.

rsa

Specifies the area in your program where the RSA should be returned by DL/I. This output parameter is used for GSAM only and is optional. See the topic "GSAM Data Areas" in *IMS Version 15.5 Application Programming* for more information on RSAs.

Usage

Your program uses the ISRT call to initially load a database and to add information to an existing one. The call looks the same in either case. However, the way it is used is determined by the processing option in the PCB.

ISRT can add new occurrences of an existing segment type to a HIDAM, PHIDAM, HISAM, HDAM, PHDAM, DEDB, or MSDB database.

Restriction: New segments cannot be added to a HSAM database unless you reprocess the whole database or add the new segments to the end of the database.

Before you issue the ISRT call, build the new segment in the I/O area. The new segment fields must be in the same order and of the same length as defined for the segment. (If field sensitivity is used, they must be in the order defined for the application program's view of the segment.) The DBD defines the fields that a segment contains and the order in which they appear in the segment.

Root segment occurrence

If you are adding a root segment occurrence, IMS places it in the correct sequence in the database by using the key you supply in the I/O area. If the segment you are inserting is not a root, but you have just inserted its parent, you can insert the child segment by issuing an ISRT call with an unqualified SSA. You must build the new segment in your I/O area before you issue the ISRT call. Also, you use an unqualified SSA when you insert a root. When you are adding new segment occurrences to an existing database, the segment type must have been defined in the DBD. You can add new segment occurrences directly or sequentially after you have built them in the program's I/O area. At least one SSA is required in an ISRT call; the last (or only) SSA specifies the segment being inserted. To insert a path of segments, you can set the D command code for the highest-level segment in the path.

Insert rules

If the segment type you are inserting has a unique key field, the place where IMS adds the new segment occurrence depends on the value of its key field. If the segment does not have a key field, or if the key is not unique, you can control where the new segment occurrence is added by specifying either the FIRST, LAST, or HERE insert rule. Specify the rules on the RULES parameter of the SEGM statement of DBDGEN for this database.

The rules on the RULES parameter are as follows:

FIRST

IMS inserts the new segment occurrence before the first existing occurrence of this segment type. If this segment has a nonunique key, IMS inserts the new occurrence before all existing occurrences of that segment that have the same key field.

LAST

IMS inserts the new occurrence after the last existing occurrence of the segment type. If the segment occurrence has a nonunique key, IMS inserts the new occurrence after all existing occurrences of that segment type that have the same key.

HERE

IMS assumes you have a position on the segment type from a previous IMS call. IMS places the new occurrence before the segment occurrence that was retrieved or deleted by the last call, which is immediately before current position. If current position is not within the occurrences of the segment type being inserted, IMS adds the new occurrence before all existing occurrences of that segment type. If the segment has a nonunique key and the current position is not within the occurrences of the segment type with equal key value, IMS adds the new occurrence before all existing occurrences that have equal key fields.

You can override the insert rule of FIRST with the L command code. You can override the insert rule of HERE with either the F or L command code. This is true for HDAM and PHDAM root segments and for dependent segments in any type of database that have either nonunique keys or no keys at all.

An ISRT call must have at least one unqualified SSA for each segment that is added to the database. Unless the ISRT is a path call, the lowest-level SSA specifies the segment being inserted. This SSA must be unqualified. If you use the D command code, all the SSAs below and including the SSA containing the D command code must be unqualified.

Provide qualified SSAs for higher levels to establish the position of the segment being inserted. Qualified and unqualified SSAs can be used to specify the path to the segment, but the last SSA must be unqualified. This final SSA names the segment type to be inserted.

If you supply only one unqualified SSA for the new segment occurrence, you must be sure that current position is at the correct place in the database to insert that segment.

Mix qualified and unqualified SSA

You can mix qualified and unqualified SSAs, but the last SSA must be unqualified. If the SSAs are unqualified, IMS satisfies each unqualified SSA with the first occurrence of the segment type, assuming that the path is correct. If you leave out a SSA for one of the levels in an ISRT with multiple SSAs, IMS assumes an SSA for that level. The SSA that IMS assumes depends on current position:

- If IMS has a position established at the missing level, the SSA that IMS uses is derived from that position, as reflected in the DB PCB.
- If IMS does not have a position established at the missing level, IMS assumes an unqualified SSA for that level.
- If IMS moves forward from a position established at a higher level, IMS assumes an unqualified SSA for that level.
- If the SSA for the root level is missing, and IMS has position established on a root, IMS does not move from that root when trying to satisfy the call.

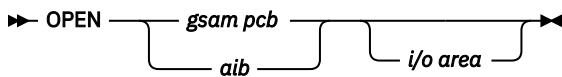
Using SSA with the ISRT call

Using SSA with ISRT is a good way to check for the parent segments of the segment you want to insert. You cannot add a segment unless its parent segments exist in the database. Instead of issuing Get calls for the parents, you can define a fully qualified set of SSAs for all the parents and issue the ISRT call for the new segment. If IMS returns a GE status code, at least one of the parents does not exist. You can then check the segment level number in the DB PCB to find out which parent is missing. If the level number in the DB PCB is 00, IMS did not find any of the segments you specified. A 01 means that IMS found only the root segment; a 02 means that the lowest-level segment that IMS found was at the second level; and so on.

OPEN call

The OPEN call is used to explicitly open a GSAM database.

Format



	Call Name	DB/DC	DBCTL	DCCTL	DB Batch	TM Batch
For GSAM:	OPEN	X	X	X	X	X

Parameters

gsam pcb

Specifies the GSAM PCB for the call. This parameter is an input and output parameter.

aib

Specifies the AIB for the call. This parameter is an input and output parameter. These fields must be initialized in the AIB:

AIBID

Eye catcher. This 8-byte field must contain DFSAIBbb.

AIBLEN

AIB lengths. This field must contain the actual length of the AIB that the application program obtained.

AIBRSNM1

Resource name. This 8-byte, left-justified field must contain the PCB name of a GSAM PCB.

AIBOALEN

I/O area length. This field must contain the length of the I/O area specified in the call list.

i/o area

Specifies the kind of data set you are opening. This parameter is an input parameter.

Usage

For more information, see the topic "Explicit Open and Close Calls to GSAM" in *IMS Version 15.5 Application Programming*.

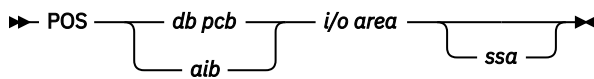
POS call

A qualified Position (POS) call is used to retrieve the location of a specific sequential dependent segment. In addition to location, a qualified POS call using an SSA for a committed segment will return the sequential dependent segment (SDEP) time stamp and the ID of the IMS owner that inserted it.

For more information about the qualified POS call, refer to the topic "Processing Fast Path Databases" in *IMS Version 15.5 Application Programming*.

An unqualified POS points to the logical end of the sequential dependent segment (SDEP) data. By default, an unqualified POS call returns the DMACNXTS value, which is the next SDEP CI to be allocated. Because this CI has not been allocated, its specification without the EXCLUDE keyword will often result in a DFS2664A message from the SDEP utilities.

Format



	Call Name	DB/DC	DBCTL	DCCTL	DB Batch	TM Batch
For DEDB:	POS	X	X			

Parameters

db pcb

Specifies the DB PCB for the DEDB that you are using for this call. This parameter is an input and output parameter.

aib

Specifies the AIB for the DEDB that you are using for this call. This parameter is an input and output parameter. These fields must be initialized in the AIB:

AIBID

Eye catcher. This 8-byte field must contain DFSAIBbb.

AIBLEN

AIB lengths. This field must contain the actual length of the AIB that the application program obtained.

AIBRSNM1

Resource name. This 8-byte, left-justified field must contain the name of a DB PCB.

AIBOALEN

I/O area length. This field must contain the length of the I/O area specified in the call list.

keyword

Specifies the Keyword for the DEDB that you are using for this call. It goes in the first part of the *i/o area*. Returns six words containing field codes to I/O area. The following table lists the five keywords and the corresponding output.

i/o area

Specifies the I/O area in your program that you want to contain the positioning information that is returned by a successful POS call. This parameter is both an input and an output parameter. The I/O

area must be long enough to contain all the returned entries. IMS returns an entry for each area in the DEDB.

The I/O area returned on POS call contained six words with nine potential fields of data for each return output. Each field is four or eight bytes. When the successful POS is an unqualified call, the I/O area consists of a 2 byte field that contains the length of the data area (LL), followed by 24 bytes of positioning information. The I/O data area will have 24 bytes of positioning information for every area in the DEDB. By placing one of the five keywords in position zero of the input I/O area, the user specifies the kind of data in the return I/O area. The following table lists the five keywords and the data that an unqualified POS call returns based on the keyword you choose for position zero of the input I/O area. Any keyword should be specified at the beginning of the I/O area.

<i>Table 4. Unqualified POS call: keywords and map of the I/O area return output</i>							
Keyword	byte 2	word 0	word 1	word 2	word 3	word 4	word 5
<null>	LL	Field 1		Field 2		Field 4	Field 5
V5SEGRBA	LL	Field 1		Field 3		<null>	
PCSEGRTS	LL	Field 1		Field 3		Field 6	
PCSEGHWM	LL	Field 1		Field 3		Field 7	
PCHSEGTS	LL	Field 1		Field 8		Field 6	
PCLBSGTS	LL	Field 1		Field 9		Field 6	

Field 1

Area name

This 8-byte field contains the ddname from the AREA statement.

Field 2

Sequential dependent next to allocate CI

This field is the default if no keyword is specified in position zero of the I/O area. The data returned is the 8-byte cycle count and RBA (CC+RBA) acquired from the global DMACNXTS field. This data represents the next pre-allocated CI as a CI boundary.

Field 3

Local sequential dependent next segment

The data returned is the 8-byte CC+RBA segment boundary of the most recently committed SDEP segment. This data is specific to only the IMS that executes the POS call. Its scope is for local IMS use only.

Field 4

Unused CIs in sequential dependent part

This 4-byte field contains the number of unused control intervals in the sequential dependent part.

Field 5

Unused CIs in independent overflow part

This 4-byte field contains the number of unused control intervals in the independent overflow part.

Field 6

Sequential dependent segment time stamp

The data returned is the 8-byte time stamp of the most recently committed SDEP segment across all IMS partners, or for a local SDEP, the time stamp of the first pre-allocated SDEP CI dummy segment of the local IMS. If the area (either local or shared) has not been opened, or a /DBR was performed without any subsequent SDEP segment inserts, the current time is returned.

Field 7

Sequential dependent High Water Mark (HWM)

This 8-byte field contains the cycle count plus RBA (CC+RBA) of the last pre-allocated SDEP CI which is the High Water Mark (HWM) CI.

Field 8

Highest committed SDEP segment

The data returned is the 8-byte cycle count plus RBA (CC+RBA) for the most recently committed SDEP segment across all IMS partners, or for a local SDEP, the CC+RBA of the most recently committed SDEP segment of the local IMS. If the area (either local or shared) has not been opened, or a /DBR was performed without any subsequent SDEP segment inserts, the HWM CI is returned.

Field 9

Logical begin time stamp

This 8-byte field contains the logical begin time stamp from the DMACSDEP_LOGICALBEGIN_TS field.

ssa

Specifies the SSA that you want to use in this call. This parameter is an input parameter. The format of SSA in POS calls is the same as the format of SSA in DL/I calls. You can use only one SSA in this parameter. This parameter is optional for the POS call.

Usage

The POS call:

- Retrieves the location of a specific sequential dependent segment.
- Retrieves the location of last-inserted sequential dependent segment, its time stamp, and the IMS ID.
- Retrieves the time stamp of a sequential dependent segment or Logical Begin.
- Tells you the amount of unused space within each DEDB area. For example, you can use the information that IMS returns for a POS call to scan or delete the sequential dependent segments for a particular time period.

If the area which the POS call specifies is unavailable, the I/O area is unchanged, and the status code FH is returned.

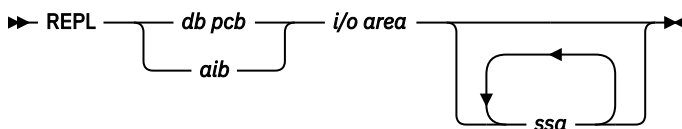
Restrictions

You can only use the POS call with a DEDB.

REPL call

Use the Replace (REPL) call to change the values of one or more fields in a segment.

Format



	Call Name	DB/DC	DBCTL	DCCTL	DB Batch	TM Batch
For Full-Function:	REPL	X	X		X	
For DEDB:	REPL	X	X			
For MSDB:	REPL	X				

Parameters

db pcb

Specifies the DB PCB for the call. This parameter is an input and output parameter.

aib

Specifies the application interface block (AIB) for the call. This parameter is an input and output parameter. The following fields must be initialized in the AIB:

AIBID

Eye catcher. This 8-byte field must contain DFSAIBbb.

AIBLEN

AIB lengths. This field must contain the actual length of the AIB that the application program obtained.

AIBRSNM1

Resource name. This 8-byte, left-justified field must contain the name of a DB PCB.

AIBOALEN

I/O area length. This field must contain the length of the I/O area specified in the call list.

i/o area

Specifies the I/O area in your program that communicates with IMS. This parameter is an input parameter.

ssa

Specifies any segment search arguments (SSAs) to be used in the call. This parameter is an input parameter and is optional for the REPL call. Use only unqualified SSAs. The SSAs that you specify point to data areas in your program in which you have defined the SSAs for the call. You can use up to 15 SSAs in this parameter.

Usage

Before using a REPL call, be aware of the following conditions:

- Segments that can be replaced must be defined as replace-sensitive by setting PROCOPT=A or PROCOPT=R on the SENSEG statement in the PCB. To learn more about PROCOPT, see [SENSEG statement \(System Utilities\)](#).
- A REPL call must be preceded by one of the three Get Hold calls: [GHN](#), [GHNP](#), or [GHU](#).
- If your program tries to replace a segment that is not replace-sensitive and command code N is not specified, the segment data in the I/O area must match the segment data that gets returned by the Get Hold call. Any variance results in an AM status code, and no data gets replaced by the REPL call. To learn more, see [AM \(Messages and Codes\)](#).
- After you retrieve a segment, do not change the field lengths in the I/O area before you issue the REPL call.
- Use only unqualified SSAs on a REPL call. Using a qualified SSA is invalid and results in an AJ status code. To learn more see [AJ \(Messages and Codes\)](#).

To change field values in a segment, issue a Get Hold call to retrieve the segment and place it in the I/O area. Make your desired changes. Then issue a REPL call to replace the segment in the database with the modified segment from the I/O area.

You can use command codes with the REPL call.

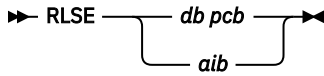
- Specify an unqualified SSA with an **N command code** if you do not change one or more segments that are returned on a Get Hold call, or if you do not want modifications in the I/O area to be reflected in the database. The N command code is available for use whether or not a [D command code \(Application Programming APIs\)](#) is used to return multiple segments on the preceding Get Hold call. To learn more, see [N command code \(Application Programming APIs\)](#).
- Use the **Q command code** to preserve a segment for use with your program. Normally, if no fields in a segment are changed by the REPL call, the lock is released when the application moves to another

database record. The Q command prevents another program from updating the segment until your program reaches a commit point. To learn more, see [Q command code \(Application Programming APIs\)](#).

RLSE call

The Release Locks (RLSE) call is used to release all locks held for unmodified data.

Format



	Call Name	DB/DC	DBCTL	DCCTL	DB Batch	TM Batch
For Full-Function:	RLSE	X	X		X	
For DEDB:	RLSE	X	X		X	

Parameters

db pcb

Specifies the DB PCB for the call. This parameter is an input and output parameter.

aib

Specifies the AIB for the call. This parameter is an input and output parameter. These fields must be initialized in the AIB:

AIBID

Eye catcher. This 8-byte field must contain DFSAIBbb.

AIBLEN

AIB lengths. This field must contain the actual length of the AIB that the application program obtained.

AIBRSNM1

Resource name. This 8-byte, left-justified field must contain the name of a DB PCB.

Usage

For Fast Path databases, use the RLSE call to release all locks held for unmodified data that are owned by an application. For full-function databases, use the RLSE call to release the locks held by the DB PCB that is referenced in the call. If the lock is protecting a resource that has been updated, the lock will not be released. After the RLSE call, all database position information is lost.

Restrictions

The RLSE call has to be issued using a DB PCB. The PCB cannot be an I/O PCB or an MSDB PCB.

DL/I calls for IMS DB system services

Use these DL/I calls to obtain IMS DB system services.

Each call description contains:

- A syntax diagram
- Definitions for parameters that are available to the call
- Details on how to use the call in your application program
- Restrictions on call usage, where applicable

Each parameter is described as an input parameter or output parameter. “Input” refers to input to IMS from the application program. “Output” refers to output from IMS to the application program.

Syntax diagrams for these calls begin with the *function* parameter. The call interface (xxxTDLI) and *parmcount* (if it is required) are not included in the syntax diagrams.

Related reading: For specific information about coding your program in assembler language, C language, COBOL, Pascal, and PL/I, see the topic "Defining Application Program Elements" in *IMS Version 15.5 Application Programming* for the complete structure.

Related reference

[“DL/I calls for IMS TM system services” on page 113](#)

Use these DL/I calls with IMS Transaction Manager system services.

[“DL/I calls for transaction management” on page 74](#)

Use these DL/I calls with IMS TM to perform transaction management functions in your application programs.

[“EXEC DLI commands” on page 153](#)

The EXEC DLI commands are the only commands that are allowed for EXEC DLI. These commands can be used to read and update DL/I databases with a batch program, a BMP region (running DBCTL or DB/DC), or a CICS program using DBCTL.

[“IMSCALL command \(X'C803'\)” on page 283](#)

Use the distributed data management (DDM) architecture IMSCALL command to issue DL/I calls for IMS DB system services.

System service call summary

The following table summarizes which system service calls you can use in each type of IMS DB application program and the parameters for each call. Optional parameters are enclosed in brackets ([]).

Exception: Language-dependent parameters are not shown here.

For more information on language-dependent application elements, see the topic "Defining Application Program Elements" in *IMS Version 15.5 Application Programming*.

Table 5. Summary of system service calls

Function Code	Meaning	Use/Options	Parameters	Valid for
APSB	Allocate PSB	Allocates a PSB for an ODBA application	aib	DB/DC, IMS DB
DPSB	Deallocate PSB	Deallocates a PSB for an ODBA application	aib	DB/DC, IMS DB
CHKP (Basic)	Basic checkpoint	Prepares for recovery	function, i/o pcb or aib, i/o area	DB batch, TM batch, BMP, MPP, IFP
CHKP (Symbolic)	Symbolic checkpoint	Prepares for recovery. Specifies up to seven program areas to be saved	function, i/o pcb or aib, i/o area len, i/o area[, area len, area]	DB batch, TM batch, BMP
GMSG	Get Message	Retrieves a message from the AO exit routine. Waits for an AOI message when none is available	function, aib, i/o area	DB/DC and DCCTL (BMP, MPP, IFP), DB/DC and DBCTL (DRA thread), DBCTL (BMP non-message driven), ODBA

Table 5. Summary of system service calls (continued)

Function Code	Meaning	Use/Options	Parameters	Valid for
GSCD ¹	Get System Contents Directory	Gets address of system contents directory	function, db pcb, i/o pcb or aib, i/o area	DB Batch, TM Batch
ICMD	Issue Command	Issues an IMS command and retrieves the first command response segment	function, aib, i/o area	DB/DC and DCCTL (BMP, MPP, IFP), DB/DC and DBCTL (DRA thread), DBCTL (BMP non-message driven), ODBA
INIT	Initialize application	Receives data availability and deadlock occurrence status codes and checks each PCB database for data availability	function, i/o pcb or aib, i/o area	DB batch, TM batch, BMP, MPP, IFP, DBCTL, ODBA
INQY	Inquiry	Returns information and status codes about I/O or alternate PCB destination type, location, and session status	function, aib, i/o area, AIBFUNC= FIND DBQUERY ENVIRON ENVIRON2	DB batch, TM batch, BMP, MPP, IFP, ODBA
LOGb	Log	Writes a message to the system log	function, i/o pcb or aib, i/o area	DB batch, TM batch, BMP, MPP, IFP, DBCTL, ODBA
PCBb	Program Communication Block	Specifies and schedules another PSB	function, psb name, uibptr, [,sysserve]	CICS (DBCTL or DB/DC)
RCMD	Retrieve Command	Retrieves the second and subsequent command response segments resulting from an ICMD call	function, aib, i/o area	DB/DC and DCCTL (BMP, MPP, IFP), DB/DC and DBCTL (DRA thread), DBCTL (BMP non-message driven), ODBA
ROLB	Roll back	Eliminates database updates and returns last message to i/o area	function, i/o pcb or aib, i/o area	DB batch, TM batch, BMP, MPP, IFP
ROLL	Roll	Eliminates database updates	function	DB batch, TM batch, BMP, MPP, IFP
ROLS	Roll back to SETS	Issues call using name of DB PCB or i/o PCB and backs out database changes to SETS points	function, db pcb, i/o pcb or aib, i/o area, token	DB batch, TM batch, BMP, MPP, IFP, DBCTL, ODBA

Table 5. Summary of system service calls (continued)

Function Code	Meaning	Use/Options	Parameters	Valid for
SETS/SETU	Set a backout point	Cancels all existing backout points and establishes as many as nine intermediate backout points	function, i/o pcb or aib, i/o area, token	DB batch, TM batch, BMP, MPP, IFP, DBCTL, ODBA
SNAP ²		Collects diagnostic information; choose SNAP options	function, db pcb or aib, i/o area	DB batch, BMP, MPP, IFP, CICS (DBCTL or DB/DC), ODBA
STAT ³	Statistics	Retrieves IMS system statistics; choose type and format	function, db pcb or aib, i/o area, stat function	DB batch, BMP, MPP, IFP, DBCTL, ODBA
SYNC	Synchronization	Releases locked resources and requests commit-point processing	function, i/o pcb or aib	BMP
TERM	Terminate	Releases a PSB so another can be scheduled to commit database changes	function	CICS (DBCTL or DB/DC)
XRST	Extended restart	Specifies up to seven areas to be saved. Works with symbolic checkpoint to restart application program	function, i/o pcb or aib, i/o area len, i/o area[, area len, area]	DB batch, TM batch, BMP

Note:

1. GSCD is a Product-sensitive Programming Interface.
2. SNAP is a Product-sensitive Programming Interface.
3. STAT is a Product-sensitive Programming Interface.

APSB call

The Allocate PSB (APSB) calls are used to allocate a PSB for an ODBA application.

Format

➤ APSB — *aib* ➤

Call Name	DB/DC	IMS DB	DCCTL	DB Batch	TM Batch
APSB	X	X			

Parameters

aib

Specifies the application interface block (AIB) that is used for the call. This parameter is an input and output parameter.

These fields must be initialized in the AIB:

AIBID

Eye catcher. This 8-byte field must contain DFSAIBbb.

AIBLEN

AIB lengths. This field must contain the actual length of the AIB that the application program obtained.

AIBRSNM1

Resource name. This 8-byte, left-justified field must contain the PSB name.

AIBRSNM2

This is the 4-character ID of ODBA startup table representing the target IMS of the APSB.

Usage

The ODBA application must load or be link edited with the ODBA application interface AERTDLI.

The APSB call must be issued prior to any DLI calls.

The APSB call uses the AIB to allocate a PSB for ODBA application programs.

z/OS Resource Recovery Services (RRS) must be active at the time of the APSB call. If RRS is not active, the APSB call will fail and the application will receive:

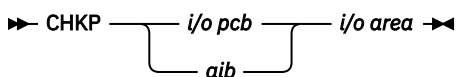
```
AIBRETRN = X'00000108'  
AIBREASN = X'00000548'
```

CHKP (basic) call

A basic Checkpoint (CHKP) call is used for recovery purposes.

The ODBA interface does not support this call.

Format



Call Name	DB/DC	DBCTL	DCCTL	DB Batch	TM Batch
CHKP	X	X	X	X	X

Parameters

i/o pcb

Specifies the I/O PCB for the call. A basic CHKP call must refer to the I/O PCB. This parameter is an input and output parameter.

aib

Specifies the AIB for the call. This parameter is an input and output parameter. These fields must be initialized in the AIB:

AIBID

Eye catcher. This 8-byte field must contain DFSAIBbb.

AIBLEN

AIB lengths. This field must contain the actual length of the AIB that the application program obtained.

AIBRSNM1

Resource name. This 8-byte, left-justified field must contain the PCB name, IOPCBbbb.

AIBOALEN

I/O area length. This field must contain the length of the I/O area specified in the call list.

i/o area

Specifies your program's I/O area that contains the 8-byte checkpoint ID. This parameter is an input parameter. If the program is an MPP or a message-driven BMP, the CHKP call implicitly returns the next input message to this I/O area. Therefore, the area must be large enough to hold the longest returned message.

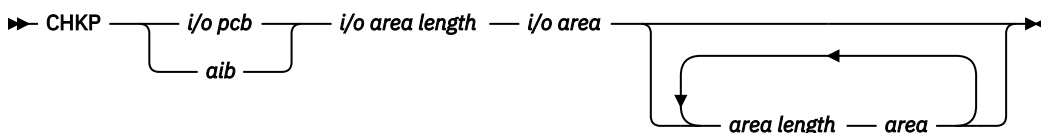
Usage

Basic CHKP commits the changes your program has made to the database and establishes places in your program from which you can restart your program, if it terminates abnormally.

CHKP (symbolic) call

A symbolic Checkpoint (CHKP) call is used for recovery purposes. If you use the symbolic Checkpoint call in your program, you also must use the XRST call.

The ODBA interface does not support this call.

Format

Call Name	DB/DC	DBCTL	DCCTL	DB Batch	TM Batch
CHKP	X	X	X	X	X

Parameters***i/o pcb***

Specifies the I/O PCB for the call. This parameter is an input and output parameter. A symbolic CHKP call must refer to the I/O PCB.

aib

Specifies the AIB for the call. This parameter is an input and output parameter. These fields must be initialized in the AIB:

AIBID

Eye catcher. This 8-byte field must contain DFSAIBbbb.

AIBLEN

AIB lengths. This field must contain the actual length of the AIB that the application program obtained.

AIBRSNM1

Resource name. This 8-byte, left-justified field must contain the PCB name, IOPCBbbb.

AIBOALEN

I/O area length. This field must contain the length of the I/O area specified in the call list.

i/o area length

This parameter is no longer used by IMS. For compatibility reasons, this parameter must be included in the call, and it must contain a valid address. You can get a valid address by specifying the name of any area in your program.

i/o area

Specifies the I/O area in your program that contains the 8-byte ID for this checkpoint. This parameter is an input parameter. If the program is a message-driven BMP, the CHKP call implicitly returns the next input message into this I/O area. Therefore, the area must be large enough to hold the longest returned message.

area length

Specifies a 4-byte field in your program that contains the length (in binary) of the area to checkpoint. This parameter is an input parameter. You can specify up to seven area lengths. For each area length, you must also specify the *area* parameter. All seven *area* parameters (and corresponding length parameters) are optional. When you restart the program, IMS restores only the areas you specified in the CHKP call.

area

Specifies the area in your program that you want IMS to checkpoint. This parameter is an input parameter. You can specify up to seven areas. Each area specified must be preceded by an *area length* parameter.

Usage

The symbolic CHKP call commits the changes your program has made to the database and establishes places in your program from which you can restart your program, if it terminates abnormally. In addition, the CHKP call:

- Works with the Extended Restart (XRST) call to restart your program if it terminates abnormally
- Enables you to save as many as seven data areas in your program, which are restored when your program is restarted

An XRST call is required before a CHKP call to indicate to IMS that symbolic check points are being taken.

Restrictions

The Symbolic CHKP call is allowed only from batch and BMP applications.

DPSB call

The DPSB call is used to deallocate IMS DB resources.

Format

►► DPSB — *aib* ◄◄

Call Name	DB/DC	IMS DB	DCCTL	DB Batch	TM Batch
DPSB	X	X			

Parameters

aib

Specifies the application interface block (AIB) that is used for the call. This parameter is an input and output parameter.

These fields must be initialized in the AIB:

AIBID

Eye catcher. This 8-byte field must contain DFSAIBbb.

AIBLEN

AIB lengths. This field must contain the actual length of the AIB that the application program obtained.

AIBRSNM1

Resource name. This 8-byte, left-justified field must contain the PSB name.

AIBSFUNC

Subfunction code. This field must contain one of the 8-byte subfunction codes as follows:

```
bbbbbbbb (Null)
PREPbbbb
```

Usage

The DPSB call is used by an application running in a z/OS application region to deallocate a PSB. If the PREP subfunction is not used, the application must activate sync-point processing prior to issuing the DPSB. Use the z/OS Resource Recovery Services (RRS) SRRCMIT/ATRRCMIT calls to activate the sync-point process. Refer to *z/OS MVS Programming: Resource Recovery* for more information on these calls.

If the DPSB is issued before changes are committed, and, or locks released, the application will receive:

```
AIBRETRN = X'00000104'
AIBREASN = X'00000490'
```

The thread will not be terminated. The application should issue a SRRCMIT or SRRBACK call, and retry the DPSB.

The PREP sub-function allows the application to issue the DPSB prior to activating the sync-point process. The sync-point activation can occur at a later time, but still must be issued.

GMSG call

A Get Message (GMSG) call is used in an automated operator (AO) application program to retrieve a message from an AO exit routine (DFSAOE00 or another AOIE type exit routine).

Format

➤ GMSG — *aib* — *i/o area* ➤

Parameters***aib***

Specifies the application interface block (AIB) to be used for this call. This parameter is an input and output parameter.

You must initialize the following fields in the AIB:

AIBID

Eye catcher. This 8-byte field must contain DFSAIBbb.

AIBLEN

AIB lengths. This field must contain the length of the AIB the application actually obtained.

AIBSFUNC

Subfunction code. This field must contain one of these 8-byte subfunction codes:

8-blanks (null)

When coded with an AOI token in the AIBRSNM1 field, indicates IMS is to return when no AOI message is available for the application program.

WAITAOI

When coded with an AOI token in the AIBRSNM1 field, WAITAOI indicates IMS is to wait for an AOI message when none is currently available for the application program. This subfunction

value is invalid if an AOI token is not coded in AIBRSNM1. In this case, error return and reason codes are returned in the AIB.

The value WAITAOI must be left justified and padded on the right with a blank character.

AIBRSNM1

Resource name. This field must contain the AOI token or blanks. The AOI token identifies the message the AO application is to retrieve. The token is supplied for the first segment of a message. If the message is a multisegment message, set this field to blanks to retrieve the second through the last segment. AIBRSNM1 is an 8-byte alphanumeric left-justified field that is padded on the right with blanks.

AIBOALEN

I/O area length. This field must contain the length of the I/O area specified in the call list. This field is not changed by IMS.

AIBOAUSE

Length of the data returned in the I/O area. This parameter is an output parameter.

When partial data is returned because the I/O area is not large enough, AIBOAUSE contains the length required to receive all of the data, and AIBOALEN contains the actual length of the data.

i/o area

Specifies the I/O area to use for this call. This parameter is an output parameter. The I/O area should be large enough to hold the largest segment that is passed from IMS to the AO application program. If the I/O area is not large enough to contain all the data, IMS returns partial data.

Usage

GMSG is used in an AO application program to retrieve a message associated with an AOI token. The AO application program must pass an 8-byte AOI token to IMS in order to retrieve the first segment of the message. IMS uses the AOI token to associate messages from an AO exit routine of type AOIE, with the GMSG call from an AO application program. IMS returns to the application program only those messages associated with the AOI token. By using different AOI tokens, the AOIE type exit routine can direct messages to different AO application programs. Note that your installation defines the AOI token.

To retrieve the second through the last segments of a multisegment message, issue GMSG calls with no token specified (set the token to blanks). If you want to retrieve all segments of a message, you must issue GMSG calls until all segments are retrieved. IMS discards all nonretrieved segments of a multisegment message when a new GMSG call that specifies an AOI token is issued.

Your AO application program can specify a wait on the GMSG call. If no messages are currently available for the associated AOI token, your AO application program waits until a message is available. The decision to wait is specified by the AO application program, unlike a WFI transaction where the wait is specified in the transaction definition. The wait is done on a call basis; that is, within a single application program some GMSG calls can specify waits, while others do not. The following table shows, by IMS environment, the types of AO application programs that can issue GMSG. GMSG is also supported from a CPI-C driven program.

Table 6. GMSG support by application region type

Application region type	IMS environment		
	DBCTL	DB/DC	DCCTL
DRA thread	Yes	Yes	N/A
BMP (nonmessage-driven)	Yes	Yes	Yes
BMP (message-driven)	N/A	Yes	Yes
MPP	N/A	Yes	Yes
IFP	N/A	Yes	Yes

Restrictions

A CPI-C driven program must issue an allocate PSB (APSB) call before issuing GMSG.

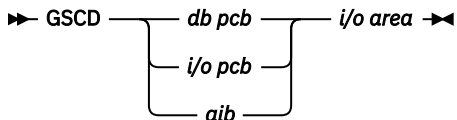
GSCD call

A Get System Contents Directory (GSCD) call retrieves the address of the IMS system contents directory for batch programs.

This topic contains Product-sensitive Programming Interface information.

The ODBA interface does not support this call.

Format



Call Name	DB/DC	DBCTL	DCCTL	DB Batch	TM Batch
GSCD				X	X

Parameters

db pcb

Specifies the DB PCB for the call. This parameter is an input and output parameter.

i/o pcb

Specifies the I/O PCB for the call. This parameter is an input and output parameter.

aib

Specifies the AIB for the call. This parameter is an input and output parameter. These fields must be initialized in the AIB:

AIBID

Eye catcher. This 8-byte field must contain DFSAIBbb.

AIBLEN

AIB lengths. This field must contain the actual length of the AIB that the application program obtained.

AIBRSNM1

Resource name. This 8-byte, left-justified field must contain the PCB name, IOPCBbbb (if the I/O PCB is used), or the name of a DB PCB (if a DB PCB is used).

AIBOALEN

I/O area length. This field must contain the length of the I/O area specified in the call list.

i/o area

Specifies the I/O area, which must be 8 bytes long. IMS places the address of the system contents directory (SCD) in the first 4 bytes and the address of the program specification table (PST) in the second 4 bytes. This parameter is an output parameter.

Usage

IMS does not return a status code to a program after it issues a successful GSCD call. The status code from the previous call that used the same PCB remains unchanged in the PCB.

Restrictions

The GSCD call can be issued only from batch application programs.

ICMD call

An Issue Command (ICMD) call enables an automated operator (AO) application program to issue an IMS command and retrieve the first command response segment.

Format

➤ ICMD — *aib* — *i/o area* ➤

Parameters

aib

Specifies the application interface block (AIB) for this call. This parameter is an input and output parameter.

These fields must be initialized in the AIB:

AIBID

Eye catcher. This 8-byte field must contain DFSAIBbb.

AIBLEN

AIB lengths. This field must contain the actual length of the AIB that the application program obtained.

AIBOALEN

I/O area length. This field must contain the length of the I/O area specified in the call list. This field is not changed by IMS.

AIBOAUSE

Length of data returned in the I/O area. This parameter is an output parameter.

Your program must check this field to determine whether the ICMD call returned data to the I/O area. When the only response to the command is a DFS058 message indicating that the command is either in progress or complete, the response is not returned.

When partial data is returned because the I/O area is not large enough, AIBOAUSE contains the length required to receive all of the data, and AIBOALEN contains the actual length of the data.

i/o area

Specifies the I/O area to use for this call. This parameter is an input and output parameter. The I/O area should be large enough to hold the largest command that is passed from the AO application program to IMS, or the largest command response segment that is passed from IMS to the AO application program. If the I/O area is not large enough to contain all the data, IMS returns partial data.

Usage

ICMD enables an AO application to issue an IMS command and retrieve the first command response segment.

When using ICMD, put the IMS command that is to be issued in your application program's I/O area. After IMS has processed the command, it returns the first segment of the response message to your AO application program's I/O area. To retrieve subsequent segments (one segment at a time) use the RCMD call.

Some IMS commands that complete successfully result in a DFS058 message indicating that the command is complete. Some IMS commands that are processed asynchronously result in a DFS058 message indicating that the command is in progress. For a command entered on an ICMD call, neither DFS058 message is returned to the AO application program. In this case, the AIBOAUSE field is set to 0 to indicate that no segment was returned. So, your AO application program must check the AIBOAUSE field along with the return and reason codes to determine if a response was returned.

Related reading: For more information on the AOI exits, see *IMS Version 15.5 Exit Routines*.

The following table shows, by IMS environment, the types of AO application programs that can issue ICMD. ICMD is also supported from a CPI-C driven program.

Table 7. ICMD support by application region type

Application region type	IMS environment		
	DBCTL	DB/DC	DCCTL
DRA thread	Yes	Yes	N/A
BMP (nonmessage-driven)	Yes	Yes	Yes
BMP (message-driven)	N/A	Yes	Yes
MPP	N/A	Yes	Yes
IFP	N/A	Yes	Yes

See *IMS Version 15.5 Operations and Automation* for a list of commands that can be issued using the ICMD call.

Restrictions

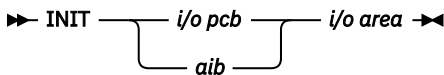
Before issuing ICMD, a CPI-C driven program must issue an allocate PSB (APSB) call.

INIT call

The Initialize (INIT) call allows an application to receive status codes regarding deadlock occurrences and data availability (by checking each DB PCB).

For GSAM databases, you can use the Initialize (INIT) call to tell IMS that the program can accept a 12-byte record search argument (RSA) when retrieving a record for a large format data set.

Format



Call Name	DB/DC	DBCTL	DCCTL	DB Batch	TM Batch
INIT	X	X	X	X	X

Parameters

i/o pcb

Specifies the I/O PCB for the call. INIT must refer to the I/O PCB. This parameter is an input and output parameter.

aib

Specifies the AIB for the call. This parameter is an input and output parameter. These fields must be initialized in the AIB:

AIBID

Eye catcher. This 8-byte field must contain DFSAIBbbb.

AIBLEN

AIB lengths. This field must contain the actual length of the AIB that the application program obtained.

AIBRSNM1

Resource name. This 8-byte, left-justified field must contain the PCB name, IOPCBbbb.

AIBOALEN

I/O area length. This field must contain the length of the I/O area specified in the call list.

i/o area

Specifies the I/O area in your program that contains the character string or strings indicating which INIT functions are requested. This parameter is an input parameter.

The functions that you can specify include:

- DBQUERY
- RSA12
- STATUS GROUPA
- STATUS GROUPB
- VERSION

Usage

You can use the call in any application program, including IMS batch in a sharing environment.

Specify the function in your application program with a character string in the I/O area.

For example, use the format LLZZ Character-String, where LL is the length of the character string including the length of the LLZZ portion; ZZ must be binary 0. For PL/I, you must define the LL field as a fullword; the value is the length of the character string including the length of the LLZZ portion, minus 2. If the I/O area is invalid, an AJ status code is returned. The following tables contain sample I/O areas for INIT when it is used with assembler language, COBOL, C language, Pascal, and PL/I.

Determining database availability: INIT DBQUERY

When the INIT call is issued with the DBQUERY character string in the I/O area, the application program can obtain information regarding the availability of data for each PCB.

Application programs that use the language-independent AIB interface or the language-specific interfaces for the assembler, COBOL, C, or Pascal programming languages use a 2-byte LL field to specify the length of the I/O area. The following table shows an example of the INIT call I/O area with the LLZZ length field and DBQUERY specified.

Table 8. INIT DBQUERY example for the AIB, ASMTDLI, CBLTDLI, CTDLI, and PASTDLI interfaces

L	L	Z	Z	Character String
00	0B	00	00	DBQUERY

Note: The LL value of X'0B' is a hexadecimal representation of decimal 11. ZZ fields are binary.

The following table contains a sample I/O area for the INIT call with DBQUERY for PL/I. The PLITDLI interface uses a 4-byte LLLL field for the length of the I/O area.

Table 9. INIT DBQUERY: I/O area example for PLITDLI

L	L	L	L	Z	Z	Character String
00	00	00	0B	00	00	DBQUERY

Note: The LL value of X'0B' is a hexadecimal representation of decimal 11. ZZ fields are binary.

LL or LLLL

A 2-byte field that contains the length of the character string, plus two bytes for LL. For the PLITDLI interface, use the 4-byte field LLLL. When you use the AIB interface (AIBTDLI), PL/I programs require only a 2-byte field.

ZZ

A 2-byte field of binary zeros.

One of the following status codes is returned for each database PCB:

NA

At least one of the databases that can be accessed using this PCB is not available. A call made using this PCB probably results in a BA or BB status code if the INIT STATUS GROUPA call has been issued, or in a DFS3303I message and 3303 pseudoabend if it has not. An exception is when the database is not available because dynamic allocation failed. In this case, a call results in an AI (unable to open) status code.

In a DCCTL environment, the status code is always NA.

NU

At least one of the databases that can be updated using this PCB is unavailable for update. An ISRT, DLET, or REPL call using this PCB might result in a BA status code if the INIT STATUS GROUPA call has been issued, or in a DFS3303I message and 3303 pseudoabend if it has not. The database that caused the NU status code might be required only for delete processing. In that case, DLET calls fail, but ISRT and REPL calls succeed.

bb

The data that can be accessed with this PCB can be used for all functions that the PCB allows. DEDBs and MSDBs always have the bb status code.

In addition to data availability status, the name of the database organization of the root segment is returned in the segment name field of the PCB. The segment name field contains one of the following database organizations: DEDB, MSDB, GSAM, HDAM, PHDAM, HIDAM, PHIDAM, HISAM, HSAM, INDEX, SHSAM, or SHISAM.

For a DCCTL environment, the database organization is UNKNOWN.

Important: If you are working with a High Availability Large Database (HALDB), you need to be aware that the feedback on data availability at PSB schedule time only shows the availability of the HALDB master, not of the HALDB partitions. However, the error settings for data unavailability of a HALDB partition are the same as those of a non-HALDB database, namely status code 'BA' or pseudo abend U3303.

Automatic INIT DBQUERY

When the program is initially scheduled, the status code in the database PCBs is initialized as if the INIT DBQUERY call were issued. The application program can therefore determine database availability without issuing the INIT call.

Performance considerations for the INIT call (IMS online only)

For a DCCTL environment, the status code is NA.

For performance reasons, the INIT call should not be issued before the first GU call to the I/O PCB. If the INIT call is issued first, the GU call is not processed as efficiently.

Determining data availability status without abends

To avoid abendu3303, first use INIT STATUS GROUPx (x=A or B). IMS will give you a status code for unavailable databases (or HALDB partitions). Then, use INIT DBQUERY, which will set a status code in each DB PCB. Before attempting any DB call, you can test all PCBs for non-blank status.

Enabling data availability status codes: INIT STATUS GROUPA

The following table contains a sample I/O area for the INIT call for assembler language, COBOL, C language, and Pascal.

Table 10. INIT I/O area examples for ASMTDLI, CBLTDLI, CTDLI, and PASTDLI

L	L	Z	Z	Character String
00	11	00	00	STATUS GROUPA

Note: The LL value of X'11' is a hexadecimal representation of decimal 17. ZZ fields are binary.

The following table contains a sample I/O area for the INIT call for PL/I.

Table 11. INIT I/O area examples for PLITDLI

L	L	L	L	Z	Z	Character String
00	00	00	11	00	00	STATUS GROUPA

Note: The LL value of X'11' is a hexadecimal representation of decimal 17. ZZ fields are binary.

LL or LLLL

LL is a halfword-length field. For non-PLITDLI calls, LLLL is a fullword-length field for PLITDLI.

ZZ

A 2-byte field of binary zeros.

The value for LLZZ data or LLLLZZ data is always 4 bytes (for LLZZ or LLLLZZ), plus data length.

Recommendation: You should be familiar with data availability.

When the INIT call is issued with the character string STATUS GROUPA in the I/O area, the application program informs IMS that it is prepared to accept status codes regarding data unavailability. IMS then returns a status code rather than a resultant pseudoabend if a subsequent call requires access to unavailable data. The status codes that are returned when IMS encounters unavailable data are BA and BB. Status codes BA and BB both indicate that the call could not be completed because it required access to data that was not available. DEDBs can receive the BA or BB status code.

In response to status code BA, the system backs out only the updates that were done for the current call before it encountered the unavailable data. If changes have been made by a previous call, the application must decide to commit or not commit to these changes. The state of the database is left as it was before the failing call was issued. If the call was a REPL or DLET call, the PCB position is unchanged. If the call is a Get type or ISRT call, the PCB position is unpredictable.

In response to status code BB, the system backs out all database updates that the program made since the last commit point and cancels all nonexpress messages that were sent since the last commit point. The PCB position for all PCBs is at the start of the database.

Enabling deadlock occurrence status codes: INIT STATUS GROUPB

The following table contains a sample I/O area for the INIT call for assembler language, COBOL, C language, and Pascal.

Table 12. INIT I/O area examples for ASMTDLI, CBLTDLI, CTDLI, and PASTDLI

L	L	Z	Z	Character String
00	11	00	00	STATUS GROUPB

Note: The LL value of X'11' is a hexadecimal representation of decimal 17. ZZ fields are binary.

The following table contains a sample I/O area for the INIT call for PL/I.

Table 13. INIT I/O area examples for PLITDLI

L	L	L	L	Z	Z	Character String
00	00	00	11	00	00	STATUS GROUPB

Note: The LL value of X'11' is a hexadecimal representation of decimal 17. ZZ fields are binary.

LL or LLLL

LL is a halfword-length field. For non-PLITDLI calls, LLLL is a fullword-length field for PLITDLI.

ZZ

A 2-byte field of binary zeros.

The value for LLZZ data or LLLLZZ data is always four bytes (for LLZZ or LLLLZZ), plus data length.

When the INIT call is issued with the character string STATUS GROUPB in the I/O area, the application program informs IMS that it is prepared to accept status codes regarding data unavailability and deadlock occurrences. The status codes for data unavailability are BA and BB, as described under "Enabling data availability status codes: INIT STATUS GROUPA".

When a deadlock occurs in batch and the INITSTATUS GROUPB call has been issued, the following occurs:

- If no changes were made to the database, the BC status code is returned.
- If updates were made to the database, and if a datalog exists and BKO=YES is specified, the BC status code is returned.
- If changes were made to the database, and a disklog does not exist or BKO=YES is not specified, a 777 pseudoabend occurs.

When the application program encounters a deadlock occurrence, IMS:

- Backs out all database resources (with the exception of GSAM and DB2®) to the last commit point. Although GSAM PCBs can be defined for pure batch or BMP environments, GSAM changes are not backed out. Database resources are backed out for DB2 only when IMS is the sync-point coordinator.

When you use INIT STATUS GROUPB in a pure batch environment, you must specify the DISKLOG and BACKOUT options.

- Backs out all output messages to the last commit point.
- Requeues all input messages as follows:

Environment

Action

MPP and BMP

All input messages are returned to the message queue. The application program no longer controls its input messages.

IFP

All input messages are returned to IMS Fast Path (IFP) balancing group queues (BALGRP), making them available to any other IFP region on the BALGRP. The IFP that is involved in the deadlock receives the next transaction or message that is available on the BALGRP.

DBCTL

Action is limited to resources that are managed by DBCTL, for example, database updates.

- Returns a BC status code to the program in the database PCB.

Determining GSAM databases for large format data sets: INIT RSA12

When you issue the INIT call with the character string "RSA12" set in the I/O area, the GSAM application program tells IMS that the program can accept a 12-byte RSA when retrieving a record for a large format data set. The following table contains a sample I/O area for the INIT call with RSA12 for assembler language, COBOL, C language, and Pascal.

Table 14. INIT RAS12: Examples for ASMTDLI, CBLTDLI, CTDLI, and PASTDLI

L	L	Z	Z	Character string
00	09	00	00	RSA12

Note: The LL value of X'09' is a hexadecimal representation of decimal 9. ZZ fields are binary.

The following table contains a sample I/O area for the INIT call with RSA12 for PL/I.

Table 15. INIT RSA12: Example for PLITDLI

L	L	L	L	Z	Z	Character string
00	00	00	09	00	00	RSA12

Table 15. INIT RSA12: Example for PLITDLI (continued)

L	L	L	L	Z	Z	Character string
---	---	---	---	---	---	------------------

Note: The LL value of X'09' is a hexadecimal representation of decimal 9. ZZ fields are binary.

LL or LLLL

A 2-byte or 4-byte field that contains the total length of the I/O area. For PL/I, the length of the LLLL field is considered 2 bytes even though it is a 4-byte field. When you use the AIBTDLI interface, the length of the record is equal to the total length of LL + ZZ + character string. For the PLITDLI interface, the length of the record is equal to the total length of LLLL + ZZ + character string, where LLLL is considered 2 bytes.

ZZ

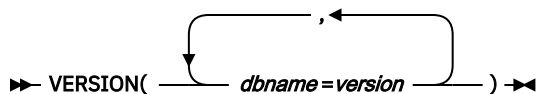
A 2-byte field of binary zeros.

Specify a database version number: INIT VERSION(dbname=version)

When database versioning is enabled, an application program can use the "VERSION" function to request a version of a database that is different from the version number that is specified for the application program on the PCB or from the default version that is returned by IMS. A version number specified on the INIT VERSION call takes precedence over all other version specifications and defaults.

When the INIT VERSION call is not issued prior to a DL/I to access a database, the version of the database that is returned to the application program is determined by the DBVER keyword of the PCB statement. If the DBVER keyword is not specified, IMS returns either the version of the database that is active in the ACB library or version 0 of the database, as determined by the DBLEVEL keyword in either the PSBGEN statement or the database section of the DFSDFxxx PROCLIB member.

In the I/O area, the VERSION function is specified by using the following format:



Each database name is specified by using alphabetic characters and can be specified only once. Specify only names of physical databases. The names of logical databases are not supported.

Each version is specified as a numeric value from 0 to 2147483647. The number that is specified must match a version number that is defined on a DBD for the named database and stored in the IMS catalog.

Calculate the size that is required for the I/O area by multiplying the number of databases that are specified in the input I/O area by 20.

For example, the following table contains a sample I/O area for the INIT VERSION call for assembler language, COBOL, C language, and Pascal. In the table, the LL value of X'3C' is the hexadecimal representation of decimal 60, the length in bytes that is required to hold the output in the I/O area when three database names are specified on input. The ZZ fields are binary.

Table 16. INIT VERSION: Example format for ASMTDLI, CBLTDLI, CTDLI, and PASTDLI

L	L	Z	Z	Character string
00	3C	00	00	VERSION (DBa=1, DBb=2, DBc=3)

The following table contains a sample I/O area for the INIT call with VERSION for PL/I. In the table, the LL value of X'3C' is the hexadecimal representation of decimal 60. The ZZ fields are binary.

Table 17. INIT VERSION: Example format for PLITDLI

L	L	L	L	Z	Z	Character string
00	00	00	3C	00	00	VERSION (DBa=1, DBb=2, DBc=3)

LL or LLLL

A 2-byte or 4-byte field that contains the total length of the I/O area. For PL/I, the length of the LLLL field is considered 2 bytes even though it is a 4-byte field. When you use the AIBTDLI interface, the length of the record is equal to the total length of LL + ZZ + character string. For the PLITDLI interface, the length of the record is equal to the total length of LLLL + ZZ + required length for output, where LLLL is considered 2 bytes.

ZZ

A 2-byte field of binary zeros.

Character string

The function specification on input. The length that is specified in the LL or LLLL is the length that is required for the output: 20 bytes for each database that is specified in the input character string.

Restrictions

For function shipping in the CICS environment, the local and remote CICS must both be DBCTL.

You should be familiar with deadlock occurrences as described in *IMS Version 15.5 System Administration*.

Related concepts

[Retrieving and inserting GSAM records \(Application Programming\)](#)

[Converting HDAM and HIDAM databases to HALDB \(Database Administration\)](#)

[Data availability considerations \(Application Programming\)](#)

INQY call

The Inquiry (INQY) call is used to request information about the current execution environment, destination type and status, and session status. INQY is valid only for application interfaces that use the AIB structure.

Format

► INQY — aib — i/o area ◄

Call Name	DB/DC	DBCTL	DCCTL	DB Batch	TM Batch
INQY	X	X	X	X	X

Parameters

aib

Specifies the address of the application interface block (DFSAIB) for the call. This parameter is an input and output parameter. These fields must be initialized in the AIB:

AIBID

Eye catcher. This 8-byte field must contain DFSAIBbb.

AIBLEN

AIB lengths. This field must contain the actual length of the AIB that the application program obtained.

AIBSFUNC

Subfunction code. This field must contain one of the 8-byte subfunction codes as follows:

- bbbbbbbb (Null)
- DBQUERYb
- ENVIRONb
- ENVIRON2
- FINDbbbb

- LERUNOPT
- MSGINFOb
- PROGRAMb (Not supported with the ODBA interface)

AIBRSNM1

Resource name. This 8-byte, left-aligned field must contain the name of any named PCB in the PSB.

AIBOALEN

I/O area length. This field must contain the length of the I/O area specified in the call list. This field is not changed by IMS.

i/o area

Specifies the data output area to use with the call. This parameter is an output parameter. An I/O area is required for INQY subfunctions ENVIRONb, ENVIRON2, MSGINFOb and PROGRAMb. It is not required for subfunctions DBQUERYb, FINDbbbb, and LERUNOPT.

Restrictions

The INQY call is valid only when using the AIB. An INQY call that is issued through the PCB interface is rejected with an AD status code.

Usage

The INQY call operates in both batch and online IMS environments. IMS application programs can use the INQY call to request information about the output destination, the session status, the current execution environment, the availability of databases, and the PCB address, which is based on the PCB name. You must use the AIB when issuing an INQY call. Before you can issue an INQY call, initialize the fields of the AIB.

When you use the INQY call, specify an 8-byte subfunction code, which is passed in the AIB. The INQY subfunction determines the information that the application program receives.

The INQY call returns information to the caller's I/O area. The length of the data that is returned from the INQY call is passed back to the application program in the AIB field, AIBOAUSe.

Specify the size of the I/O area in the AIB field, AIBOALEN. The INQY call returns only as much data as the area can hold in one call. If the area is not large enough for all the information, an AG status code is returned, and partial data is returned in the I/O area. In this case, the AIB field AIBOALEN contains the actual length of the data that is returned to the I/O area, and the AIBOAUSe field contains the output area length that would be required to receive all the data.

Querying data availability: INQY DBQUERY

When the INQY call is issued with the DBQUERY subfunction, the application program obtains information about the data for each PCB. The only valid PCB name that can be passed in AIBRSNM1 is IOPCBbbb. The INQY DBQUERY call is similar to the INITDBQUERY call. The INQY DBQUERY call does not return information in the I/O area, but like the INIT DBQUERY call, it updates status codes in the database PCBs.

The application program is not made aware of the status of each PCB until an INQY FIND call is issued. To retrieve the status for a database, you must pass the DB PCB for that database in the INQY FIND call.

In addition to the INIT DBQUERY status codes, the INQY DBQUERY call returns these status codes in the I/O PCB:

bb

The call is successful and all databases are available.

BJ

None of the databases in the PSB are available, or no PCBs exist in the PSB. All database PCBs (excluding GSAM) contain an NA status code as the result of processing the INQY DBQUERY call.

BK

At least one of the databases in the PSB is not available, or availability is limited. At least one database PCB contains an NA or NU status code as the result of processing the INQY DBQUERY call. When CATALOG PCBs show NA, the status code is bb.

The INQY call returns the following status codes in each DB PCB:

NA

At least one of the databases that can be accessed by using this PCB is not available. A call that is made using this PCB probably results in a BA or BB status code if the INIT STATUS GROUPE call has been issued, or in a DFS3303I message and 3303 pseudoabend if the call has not been issued. An exception is when the database is not available because dynamic allocation failed. In this case, a call results in an AI (unable to open) status code.

In a DCCTL environment, the status code is always NA.

NU

At least one of the databases that can be updated using this PCB is unavailable for update. An ISRT, DLET, or REPL call using this PCB might result in a BA status code if the INIT STATUS GROUPE call has been issued, or in a DFS3303I message and 3303 pseudoabend if it has not been issued. The database that caused the NU status code might be required only for delete processing. In that case, DLET calls fail, but ISRT and REPL calls succeed.

bb

The data that can be accessed with this PCB can be used for all functions the PCB allows. DEDBs and MSDBs always have the bb.

Querying the environment: INQY ENVIRON or ENVIRON2

When the INQY call is issued with the ENVIRON or ENVIRON2 subfunctions, the application program obtains information about the current execution environment. Both subfunctions cannot be used with the same INQY call, so use either ENVIRON or ENVIRON2. The ENVIRON subfunction provides compatibility for existing programs that require its specific use, whereas ENVIRON2 is newer and provides more information. The only valid PCB name that can be passed in AIBRSNM1 is IOPCBbbb. This includes the IMS identifier, release, region, and region type.

The INQY ENVIRON and ENVIRON2 calls return character-string data. The output is left-aligned and padded with blanks on the right.

Recommendations: To account for expansion in the length of the reply data, specify an I/O area length of 512 bytes.

To reference the field that contains the recovery token or the application parameter string, code your application programs to locate the field by using the address of the field that is returned in the data output of the INQY ENVIRON or INQY ENVIRON2 calls. This is the only valid programming technique to reference the recovery token field and the application parameter string field. No other programming technique should be used to reference these fields.

The recovery token or the application parameter string are optional and therefore are not always returned. If they are not returned, the value in the address field is zero.

For more information about the recovery token and application parameter fields, see [note 2](#) after the following table.

The following table describes the INQY ENVIRON output.

Table 18. INQY ENVIRON data output

Information returned	Length in bytes	Actual value	Explanation
IMS Identifier	8		Provides the identifier from the execution parameters.

Table 18. INQY ENVIRON data output (continued)

Information returned	Length in bytes	Actual value	Explanation
IMS Release Level	4		Provides the release level for IMS. For example, X'00000410'.
IMS Control Region Type	8	BATCH	Indicates that an IMS batch region is active.
		DB	Indicates that only the IMS Database Manager is active. (DBCTL system)
		TM	Indicates that only the IMS Transaction Manager is active. (DCCTL system)
		DB/DC	Indicates that both the IMS Database and Transaction managers are active. (DB/DC system)
IMS Application Region Type	8	BATCH	Indicates that the IMS Batch region is active.
		BMP	Indicates that the Batch Message Processing region is active.
		DRA	Indicates that the Database Resource Adapter Thread region is active.
		IFP	Indicates that the IMS Fast Path region is active.
		JBP	Indicates that the Java batch processing region is active.
		JMP	Indicates that the Java message processing region is active.
		MPP	Indicates that the Message Processing region is active.
Region Identifier	4		Provides the region identifier. For example, X'00000001'.
Application Program Name	8		Provides the name of the application program being run.
PSB Name (currently allocated)	8		Provides the name of the PSB currently allocated.
Transaction Name	8		Provides the name of the transaction.
		b	Indicates that no associated transaction exists.
User Identifier ¹	8		Provides the user ID.
		b	Indicates that the user ID is unavailable.
Group Name	8		Provides the group name.
		b	Indicates that the group name is unavailable.
Status Group Indicator	4	A	Indicates an INIT STATUS GROUPE call is issued.
		B	Indicates an INIT STATUS GROUPE call is issued.
		b	Indicates that a status group is not initialized.
Address of Recovery Token ² on page 52	4		Provides the address of the LL field, followed by the recovery token.
		0	Indicates that the recovery token is not available.

Table 18. INQY ENVIRON data output (continued)

Information returned	Length in bytes	Actual value	Explanation
Address of the Application Parameter String ^{“2”} on page 52	4		Provides the address of the LL field, followed by the application program parameter string.
		0	Indicates that the APARM= parameter is not coded in the execution parameters of the dependent region JCL.
Shared Queues Indicator	4		Indicates that IMS is not using Shared Queues.
		SHRQ	Indicates IMS is using Shared Queues.
User ID of Address Space	8		User ID of dependent address space.
User ID Indicator	1		<p>Contains one of the following possible values to indicate the contents of the userid field:</p> <p>U Indicates the user’s identification from the source terminal during sign-on.</p> <p>L Indicates the LTERM name of the source terminal in sign-on is not active.</p> <p>P Indicates the PSBNAME of the source BMP or transaction.</p> <p>O Indicates some other name.</p>
z/OS Resource Recovery Services (RRS) Indicator	3	b	Indicates that IMS has not expressed interest in the UR with RRS. Therefore, the application should refrain from performing any work that causes RRS to become the syncpoint manager for the UR because IMS will not be involved in the commit scope. For example, the application should not issue any outbound protected conversations.
		RRS	Indicates that IMS has expressed interest in the UR with RRS. Therefore, IMS is involved in the commit scope if RRS is the syncpoint manager for the UR.
IMS catalog enablement indicator	8	b	<p>Indicates that the IMS catalog is not enabled in the DFSDFxxx PROCLIB member.</p> <p>For information about setting up and enabling an IMS catalog, see IMS catalog definition and tailoring (System Definition).</p> <p>For information about enabling the IMS catalog in the DFSDFxxx PROCLIB member, see DFSDFxxx member of the IMS PROCLIB data set (System Definition).</p>
		CATALOG plus one byte of reserved space initialized as a blank.	Indicates that the IMS catalog is enabled. Database and application metadata are available in IMS. Data mask definitions that use this value must include all eight bytes.

Table 18. INQY ENVIRON data output (continued)

Information returned	Length in bytes	Actual value	Explanation
Notes:			
1. The user ID is derived from the PSTUSID field of the PST that represents the region making the INQY ENVIRON call. The PSTUSID field is one of the following:			
<ul style="list-style-type: none"> For message-driven BMP regions that have not completed successful GU calls to the IMS message queue and for non-message-driven BMP regions, the PSTUSID field is derived from the name of the PSB that is currently scheduled into the BMP region. For message-driven BMP regions that have completed a successful GU call and for any MPP region, the PSTUSID field is derived which is usually the input terminal's RACF® ID. If the terminal has not signed on to RACF, the ID is the input terminal's LTERM. 			
2. The pointer is an address that identifies a length field (LL) which contains the length of the recovery token or application program parameter string in binary, including the two bytes required for LL. Use this pointer to set up addressability of the AIB between releases in a batch program.			
<ul style="list-style-type: none"> The length byte is two more than the length of the string passed as APARM. This is because it includes the length of the halfword length. Thus, to turn the length byte into a machine length for an executed move, you need to subtract three. This is unlike z/OS parm strings, where length does not additionally include the length of the length byte, and you only subtract one before your executed move. 			

The INQY ENVIRON2 subfunction returns all the information provided by the ENVIRON subfunction, plus the output described in the following table.

Table 19. INQY ENVIRON2 data output

Information returned	Length in bytes	Actual value	Explanation
INQY ENVIRON2 output version	4		Indicates the version number of this INQY ENVIRON2 output.
IMS installed version	4	X'00001510'	Indicates IMS version 15.1.0
(Entries in this row's <i>Actual value</i> column show actual values for IMS versions 15.1, 15.2, and 15.3. A similar output pattern applies for newer versions of IMS.)		X'00001520'	Indicates IMS version 15.2.0
		X'00001530'	Indicates IMS version 15.3.0
IMS function level	4		Indicates the currently installed function level of IMS.
Functions enabled bitmap	32		Is the value of the IMS functions enabled bitmap.
Primary Language Environment enclave addressing mode	2	31	Indicates that the primary Language Environment enclave addressing mode is 31-bit.
		64	Indicates that the primary Language Environment enclave addressing mode is 64-bit.
		0	Indicates that no JVM was requested.

Table 19. INQY ENVIRON2 data output (continued)

Information returned	Length in bytes	Actual value	Explanation
Language Environment enclave addressing mode for JVM	2	31	Indicates that the Language Environment enclave addressing mode of the requested JVM is 31-bit.
		64	Indicates that the Language Environment enclave addressing mode of the requested JVM is 64-bit.
		0	Indicates that no JVM was requested.
IMS MACB enablement indicator	4	No value	Indicates that managed ACBs is disabled.
		MACB	Indicates that managed ACBs is enabled.

Notes:

1. To learn more about the functions enabled bitmap, see [IMS function levels overview \(System Administration\)](#).
2. ENVIRON2 reports primary and active addressing modes as decimal values. Some programs, such as DFSDDLT0, displays these values in hexadecimal. In such cases, 31-bit displays as 1F and 64-bit displays as 40.

Querying the input message information: INQY MSGINFO

To obtain information regarding the current input message, use the INQY call with the MSGINFO subfunction. The only valid PCB name that can be passed in the AIBRSNM1 field is IOPCBbbb. The output returns the version number and the output fields for the message information. The INQY MSGINFO call returns the response in the I/O area.

The following table lists the output that is returned from the INQY MSGINFO call. Included with the information returned is the byte length, the actual value, and an explanation of the output.

The distributed network user ID, if used, has a variable length from 1 to 246 bytes and the distributed network session ID, if used, has a variable length from 1 to 254 bytes. Because the size of the distributed network security credentials can vary, the information is appended to the end of the response in the I/O area. If network security credentials are included in the message, define the I/O area, in the AIB field AIBOALEN, with the appropriate 2-byte length to account for the variable length of the network user ID and the network session ID.

To reference the field that contains the distributed network user ID or distributed network session ID, code your application programs to locate the field by using the address of the field that is returned in the data output of the INQY MSGINFO call. The address identifies a length field (LL) that contains the length of the ID followed by the distributed network user ID or network session ID. This is the only valid programming technique to reference the network user ID and network session ID.

The distributed network user ID or network session ID are optional and therefore are not always returned. If they are not returned, the value in the address field is zero.

Table 20. INQY MSGINFO data output

Information returned	Length in bytes	Actual value	Explanation
Version number	4	1 or 2	Output response version 1 contains the origin IMS ID. Output response version 2 contains both the origin IMS ID and the distributed network security credentials.
Origin IMSID	8		The IMS identifier from which the input message originated.
Address of distributed network user ID	4		If this field is zero, network user ID is not available. If this field is nonzero, it provides the address of the LL field followed by the network user ID for the input message.
Address of distributed network session ID	4		If this field is zero, network session ID is not available. If this field is non-zero, it provides the address of the LL field followed by the network session ID for the input message.
Reserved for IMS	60		This field is reserved for future output expansion.

Querying the PCB: INQY FIND

When the INQY call is issued with the FIND subfunction, the application program is returned with the PCB address of the requested PCB name. The only valid PCB names that can be passed in AIBRSNM1 are IOPCBbbb or the name of an alternate PCB or DB PCB, as defined in the PSB. The PCB address is returned in the AIBRSA1 field of the AIB mask. When the INQY call is completed, the AIBRSA1 field contains call-specific information.

To retrieve the status for a database, you must pass the DB PCB for that database in the INQY FIND call. You must issue one call for each PCB required.

On a FIND subfunction, the requested PCB remains unmodified, and no information is returned in an I/O area.

The FIND subfunction is used to get a PCB address following an INQY DBQUERY call. This process allows the application program to analyze the PCB status code to determine whether either an NA or NU status code is set in the PCB.

The following PL/I code sample shows how to retrieve the database status values.

```

II00_INITSTAT: PROC;
  DCL DUMMY_LENGTH CHAR(4) INIT(' '); /* TO PLEASE IMS */
  AIB.PCBNAME      = 'IOPCB';
  CALL AIBTDLI($3,INIT,AIB,STATUS_CALL2);

```

```

IF AIB.RETURN = 0 THEN
  PUT SKIP LIST('INIT ISSUED');
ELSE
  DO;
    PUT SKIP LIST ('AIB RETURN CODE ',AIB.RETURN);
    PUT SKIP LIST ('AIB REASON CODE ',AIB.REASON);
    PUT SKIP LIST ('IOPCB STATUS CODE ',IO_PCB.STATUS_CODE);
    PUT SKIP LIST ('INIT UNSUCCESSFULL');
  END;
SELECT (IO_PCB.STATUS_CODE);
  WHEN (' ')
    GROUPA_STATUS = ' ';
  WHEN ('NA')
    GROUPA_STATUS = 'NA';
  WHEN ('NU')
    GROUPA_STATUS = 'NU';
  OTHERWISE
    DO;
      PUT SKIP LIST
        ('INIT STATUS GROUPA FAILED ',IO_PCB.STATUS_CODE);
    END;
END;
PUT SKIP LIST
  ('INIT STATUS GROUPA = ',IO_PCB.STATUS_CODE);
END II00_INITSTAT;
JJ00_INQY: PROC;
DCL DUMMY_LENGTH CHAR(4) INIT(' '); /* TO PLEASE IMS */
AIB.PCBNAME = 'IOPCB';
AIB.SUB_FUNC = 'DBQUERY ';
AIB.OUT_LEN_TOT = 2000;
CALL AIBTDLI($3,INQY,AIB,IO_AREA);
PUT SKIP LIST('INQY ISSUED ON IOPCB BEFORE CHECK OF AIB RETURN');
IF AIB.RETURN = 0 THEN
  PUT SKIP LIST('INQY ISSUED - 0 RC ON AIB.RETURN');
ELSE
  DO;
    PUT SKIP LIST ('AIB RETURN CODE ',AIB.RETURN);
    PUT SKIP LIST ('AIB REASON CODE ',AIB.REASON);
    PUT SKIP LIST ('IOPCB STATUS CODE ',IO_PCB.STATUS_CODE);
    PUT SKIP LIST ('INQY IOPCB DBQUERY UNSUCCESSFULL');
  END;
SELECT (IO_PCB.STATUS_CODE);
  WHEN (' ')
    DO;
      PUT SKIP DATA (IO_AREA);
      PUT SKIP DATA (IO_PCB.STATUS_CODE);
    END;
  WHEN ('NA')
    PUT SKIP LIST ('NA STATUS ON IO_PCB.STATUS_CODE');
  WHEN ('NU')
    PUT SKIP LIST ('NU STATUS ON IO_PCB.STATUS_CODE');
  OTHERWISE
    DO;
      PUT SKIP LIST
        ('INQY FAILED ',IO_PCB.STATUS_CODE);
    END;
END;
PUT SKIP LIST ('START B1CSTP FIND CALL');
AIB.PCBNAME = 'B1CSTP';
AIB.SUB_FUNC = 'FIND ';
AIB.OUT_LEN_TOT = 2000;
CALL AIBTDLI($3,INQY,AIB,IO_AREA);
PUT SKIP LIST('INQY B1CSTP FIND READY TO BE CALLED');
IF AIB.RETURN = 0 THEN
  PUT SKIP LIST('INQY B1CSTP FIND CALLED - 0 RC');
ELSE
  DO;
    PUT SKIP LIST ('AIB RETURN CODE ',AIB.RETURN);
    PUT SKIP LIST ('AIB REASON CODE ',AIB.REASON);
    PUT SKIP LIST ('CSTP_PCB STATUS CODE ',CSTP_PCB.STATUS_CODE);
    PUT SKIP LIST ('INQY B1CSTP FIND UNSUCCESSFULL');
  END;
PUT SKIP LIST ('CSTP STATUS ',CSTP_PCB.STATUS_CODE);
PUT SKIP LIST ('IO PCB ', IO_PCB.STATUS_CODE);
SELECT (CSTP_PCB.STATUS_CODE);
  WHEN (' ')
    DO;
      PUT SKIP DATA (CSTP_PCB.STATUS_CODE);
      PUT SKIP DATA (IO_AREA);
    END;
  WHEN ('NA')
    PUT SKIP LIST ('NA STATUS ON B1CSTP CSTPPCB.STATUS_CODE');

```

```

WHEN ('NU')
  PUT SKIP LIST ('NU STATUS ON  B1CSTP CSTPCB.STATUS_CODE');
OTHERWISE
  DO;
    PUT SKIP LIST
      ('INQY FAILED ',IO_PCB.STATUS_CODE);
  END;
END;
PUT SKIP LIST ('START D1CSTP FIND CALL');
AIB.PCBNAME      = 'D1CSTP';
AIB.SUB_FUNC     = 'FIND  ';
AIB.OUT_LEN_TOT = 2000;
CALL AIBTDLI($3,INQY,AIB,IO_AREA);
PUT SKIP LIST('INQY D1CSTP FIND READY TO BE CALLED');
IF AIB.RETURN = 0 THEN
  PUT SKIP LIST('INQY D1CSTP FIND CALLED - 0 RC');
ELSE
  DO;
    PUT SKIP LIST ('AIB RETURN CODE ',AIB.RETURN);
    PUT SKIP LIST ('AIB REASON CODE ',AIB.REASON);
    PUT SKIP LIST ('CSTP_PCB STATUS CODE ',CSTP_PCB.STATUS_CODE);
    PUT SKIP LIST ('INQY D1CSTP FIND UNSUCCESSFULL');
  END;
  PUT SKIP LIST ('CSTP STATUS ',CSTP_PCB.STATUS_CODE);
  PUT SKIP LIST ('IO PCB ', IO_PCB.STATUS_CODE);
SELECT (CSTP_PCB.STATUS_CODE);
WHEN (' ')
  DO;
    PUT SKIP DATA (CSTP_PCB.STATUS_CODE);
    PUT SKIP DATA (IO_AREA);
  END;
WHEN ('NA')
  PUT SKIP LIST ('NA STATUS ON  D1CSTP CSTPCB.STATUS_CODE');
WHEN ('NU')
  PUT SKIP LIST ('NU STATUS ON  D1CSTP CSTPCB.STATUS_CODE');
OTHERWISE
  DO;
    PUT SKIP LIST
      ('INQY FAILED ',IO_PCB.STATUS_CODE);
  END;
END;
PUT SKIP LIST ('START S1CSTP FIND CALL');
AIB.PCBNAME      = 'XXCSTP';
AIB.SUB_FUNC     = 'FIND  ';
AIB.OUT_LEN_TOT = 2000;
CALL AIBTDLI($3,INQY,AIB,IO_AREA);
PUT SKIP LIST('INQY S1CSTP FIND READY TO BE CALLED');
IF AIB.RETURN = 0 THEN
  PUT SKIP LIST('INQY S1CSTP FIND CALLED - 0 RC');
ELSE
  DO;
    PUT SKIP LIST ('AIB RETURN CODE ',AIB.RETURN);
    PUT SKIP LIST ('AIB REASON CODE ',AIB.REASON);
    PUT SKIP LIST ('CSTP_PCB STATUS CODE ',CSTP_PCB.STATUS_CODE);
    PUT SKIP LIST ('INQY S1CSTP FIND UNSUCCESSFULL');
  END;
  PUT SKIP LIST ('CSTP STATUS ',CSTP_PCB.STATUS_CODE);
  PUT SKIP LIST ('IO PCB ', IO_PCB.STATUS_CODE);
SELECT (CSTP_PCB.STATUS_CODE);
WHEN (' ')
  DO;
    PUT SKIP DATA (CSTP_PCB.STATUS_CODE);
    PUT SKIP DATA (IO_AREA);
  END;
WHEN ('NA')
  PUT SKIP LIST ('NA STATUS ON  S1CSTP CSTPCB.STATUS_CODE');
WHEN ('NU')
  PUT SKIP LIST ('NU STATUS ON  S1CSTP CSTPCB.STATUS_CODE');
OTHERWISE
  DO;
    PUT SKIP LIST
      ('INQY FAILED ',IO_PCB.STATUS_CODE);
  END;
END;

```

Querying for LE overrides: INQY LERUNOPT

When the LERUNOPT call is issued with the LERUNOPT subfunction, IMS determines whether LE overrides are allowed based on the LEOPT system parameter. The LE override parameters are defined to IMS

through the UPDATE LE command. IMS checks to see whether there are any overrides applicable to the caller based on the specific combinations of transaction name, lterm name, userid, or program name in the callers environment. IMS returns the address of the string to the caller if an override parameter is found. The LE overrides are used by the IMS supplied CEEBXITA exit, DFSBXITA, to allow dynamic overrides for LE runtime parameters.

The call string must contain the function code and the AIB address. The I/O area is not a required parameter and is ignored if specified. The only valid PCB name that can be passed in AIBRSNM1 is IOPCB. The AIBOALEN and AIBOAUSE fields are not used.

The rules for matching an entry that results in it being returned on a DL/I INQY LERUNOPT call are:

- An MPP or JMP region uses transaction name, lterm, userid, and program to match with each entry.
- An IFB, JBP, or non-message-driven BMP uses program name to match with each entry. If an entry has a defined filter for transaction name, lterm, or userid, it does not match. Message driven BMPs also use transaction name.
- The entries are scanned to find the entry with the most filter matches. The first entry in the list with the most exact filter matches is selected. The scan stops with an entry found with all of the filters matching the entry.

Note: Searching table entries may cause user confusion because of the way entries are built and searched. For example, assume that there are two entries in the table that match on the filters specified on the DL/I INQY call. The first transaction matches on transaction name and lterm name. The second entry matches on transaction name and program name. IMS chooses the first entry because it was the first entry encountered with highest number of filter matches. If the second entry is now updated with a longer parameter string, which causes a new entry to be built, it is added to the head of the queue. The next search would result in the entry with transaction name and program name being selected. This could result in a set of runtime options being selected that were not expected by the user.

Querying the program name: INQY PROGRAM

When you issue the INQY call with the PROGRAM subfunction, the application program name is returned in the first 8 bytes of the I/O area. The only valid PCB name that can be passed in AIBRSNM1 is IOPCBbbb.

INQY return codes and reason codes

When you issue the INQY call, return and reason codes are returned to the AIB. Status codes can be returned to the PCB. If return and reason codes other than those that apply to INQY are returned, your application should examine the PCB to see what status codes are found.

Map of INQY subfunction to PCB type

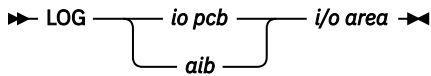
Table 21. Subfunction, PCB, and I/O area combinations for the INQY call

Subfunction	I/O PCB	Alternate PCB	DB PCB	I/O Area Required
FIND	OK	OK	OK	NO
ENVIRON or ENVIRON2	OK	NO	NO	YES
DBQUERY	OK	NO	NO	NO
LERUNOPT	OK	NO	NO	NO
PROGRAM	OK	NO	NO	YES
MSGINFO	OK	NO	NO	YES

LOG call

The Log (LOG) call is used to send and write information to the IMS system log.

Format



Call Name	DB/DC	DBCTL	DCCTL	DB Batch	TM Batch
LOG	X	X	X	X	X

Parameters

io pcb

Specifies the I/O PCB for the call. This parameter is an input and output parameter.

aib

Specifies the AIB for the call. This parameter is an input and output parameter. These fields must be initialized in the AIB:

AIBID

Eye catcher. This 8-byte field must contain DFSAIBbb.

AIBLEN

AIB lengths. This field must contain the actual length of the AIB that the application program obtained.

AIBRSNM1

Resource name. This 8-byte, left-justified field must contain the PCB name, IOPCBbbb.

AIBOALEN

I/O area length. This field must contain the length of the I/O area specified in the call list.

i/o area

Specifies the area in your program that contains the record that you want to write to the system log. This is an input parameter. This record must follow the format shown in the following tables.

Table 22. Log record formats for COBOL, C, assembler, Pascal, and PL/I programs for the AIBTDLI, ASMTDLI, CBLTDLI, CEETDLI, CTDLI, and PASTDLI interfaces

LL	ZZ	C	Text
2	2	1	Variable

Table 23. Log record formats for COBOL, C, assembler, Pascal, and PL/I programs for the PLITDLI interface

LLLL	ZZ	C	Text
4	2	1	Variable

The fields must be:

LL or LLLL

Specifies a 2-byte field (or, for PL/I, a 4-byte-long field) to contain the length of the record. The length of the record is equal to LL + ZZ + C + text of the record. When you calculate the length of the log record, you must account for all fields. The total length you specify includes:

- 2 bytes for LL or LLLL. (For PL/I, include the length as 2, even though LLLL is a 4-byte field.)
- 2 bytes for the ZZ field.
- 1 byte for the C field.

- *n* bytes for the length of the record itself.

If you are using the PLITDLI interface, your program must define the length field as a binary fullword.

ZZ

Specifies a 2-byte field of binary zeros.

C

Specifies a 1-byte field containing a log code, which must be equal to or greater than X'A0'.

Text

Specifies any data to be logged.

Usage

An application program can write a record to the system log by issuing the LOG call. When you issue the LOG call, specify the I/O area that contains the record you want written to the system log. You can write any information to the log, and you can use different log codes to distinguish between different types of information.

You can issue the LOG call:

- In a batch program, and the record is written to the IMS log
- In an online program in the DBCTL environment, and the record is written to the DBCTL log
- In the IMS DB/DC environment, and the record is written to the IMS log

Restrictions

The length of the I/O area (including all fields) cannot be larger than the logical record length (LRECL) for the system log data set, minus four bytes, or the I/O area specified in the IOASIZE keyword of the PSBGEN statement of the PSB.

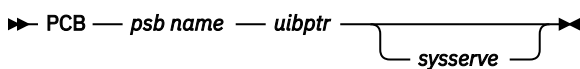
For function shipping in the CICS environment, the local and remote CICS must both be DBCTL.

PCB call (CICS online programs only)

The PCB call is used to schedule a PSB call.

The ODBA interface does not support this call.

Format



Call Name	DB/DC	DBCTL	DCCTL	DB Batch	TM Batch
PCB	X	X			

Parameters

The AIB is not valid for PCB calls.

psb name

Specifies the PSB. An asterisk can be used for the parameter to indicate the default. This parameter is an input parameter.

uibptr

Specifies a pointer, which is set to the address of the UIB after the call. This parameter is an output parameter.

sysserve

Specifies an optional 8-byte field that contains either IOPCB or NOIOPCB. This parameter is an input parameter.

Usage

Before a CICS online program can issue any DL/I calls, it must indicate to DL/I its intent to use a particular PSB. A PCB call accomplishes this and also obtains the address of the PCB list in the PSB. When you issue a PCB call, specify:

- The call function: PCBb
- The PSB you want to use, or an asterisk to indicate that you want to use the default name. The default PSB name is not necessarily the name of the program issuing the PCB call, because that program could have been called by another program.
- A pointer, which is set to the address of the UIB after the call.

For more information on defining and establishing addressability to the UIB, see the topic "Specifying the UIB (CICS Online Programs Only)" in *IMS Version 15.5 Application Programming*.

- The system service call parameter that names an optional 8-byte field that contains either IOPCB or NOIOPCB.

Restrictions

For function shipping in the CICS environment, the local and remote CICS must both be DBCTL.

RCMD call

A Retrieve Command (RCMD) call enables an automated operator (AO) application program retrieve the second and subsequent command response segments after an ICMD call.

Format

➡ RCMD — *aib* — *i/o area* →

Parameters

aib

Specifies the application interface block (AIB) used for this call. This parameter is an input and output parameter.

These fields must be initialized in the AIB:

AIBID

Eye catcher. This 8-byte field must contain DFSAIBbb.

AIBLEN

AIB lengths. This field must contain the actual length of the AIB that the application program obtained.

AIBOALEN

I/O area length. This field must contain the length of the I/O area specified in the call list. This field is not changed by IMS.

AIBOAUSE

Length of data returned in the I/O area. This parameter is an output parameter.

When partial data is returned because the I/O area is not large enough, AIBOAUSE contains the length required to receive all of the data, and AIBOALEN contains the actual length of the data.

i/o area

Specifies the I/O area to use for this call. This parameter is an output parameter. The I/O area should be large enough to hold the largest command response segment that is passed from IMS to the AO application program. If the I/O area is not large enough for all of the information, partial data is returned in the I/O area.

Usage

RCMD lets an AO application program retrieve the second and subsequent command response segments resulting from an ICMD call.

Related reading For more information on the AOI exits, see *IMS Version 15.5 Exit Routines*.

The following table shows, by IMS environment, the types of AO application programs that can issue RCMD. RCMD is also supported from a CPI-C driven program.

Table 24. RCMD support by application region type

Application region type	IMS environment		
	DBCTL	DB/DC	DCCTL
DRA thread	Yes	Yes	N/A
BMP (nonmessage-driven)	Yes	Yes	Yes
BMP (message-driven)	N/A	Yes	Yes
MPP	N/A	Yes	Yes
IFP	N/A	Yes	Yes

RCMD retrieves only one response segment at a time. If you need additional response segments, you must issue RCMD one time for each response segment that is issued by IMS.

Restrictions

An ICMD call must be issued before an RCMD call.

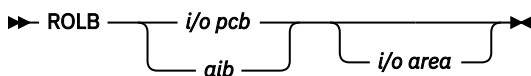
ROLB call

The Roll Back (ROLB) call is used to dynamically back out database changes and return control to your program.

For more information on the ROLB call, see the topic "Maintaining Database Integrity" in *IMS Version 15.5 Application Programming*.

The ODBA interface does not support this call.

Format



Call Name	DB/DC	DBCTL	DCCTL	DB Batch	TM Batch
ROLB	X	X	X	X	X

Parameters

i/o pcb

Specifies the I/O PCB for the call. This parameter is an input and output parameter.

aib

Specifies the AIB for the call. This parameter is an input and output parameter. These fields must be initialized in the AIB:

AIBID

Eye catcher. This 8-byte field must contain DFSAIBbb.

AIBLEN

AIB lengths. This field must contain the actual length of the AIB that the application program obtained.

AIBRSNM1

Resource name. This 8-byte, left-justified field must contain the PCB name, IOPCBbbb.

AIBOALEN

I/O area length. This field must contain the length of the I/O area specified in the call list.

i/o area

Specifies the area in your program where IMS returns the first message segment. This parameter is an output parameter.

Restrictions

The AIB must specify the I/O PCB for this call.

ROLL call

The Roll (ROLL) call is used to abnormally terminate your program and to dynamically back out database changes.

For more information on the ROLL call, see the topic "Maintaining Database Integrity" in *IMS Version 15.5 Application Programming*.

The ODBA interface does not support this call.

Format

➤ ROLL ➤

Call Name	DB/DC	DBCTL	DCCTL	DB Batch	TM Batch
ROLL	X	X	X	X	X

Parameters

The only parameter required for the ROLL call is the call function.

Usage

When you issue a ROLL call, IMS terminates the application program with a U0778 abend.

Restrictions

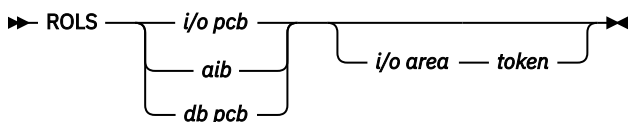
Unlike the ROLB call, the ROLL call does not return control to the program.

ROLS call

The Roll Back to SETS (ROLS) call is used to back out to a processing point set by a prior SETS or SETU call.

For more information on the ROLS call, see the topic "Maintaining Database Integrity" in *IMS Version 15.5 Application Programming*.

Format



Call Name	DB/DC	DBCTL	DCCTL	DB Batch	TM Batch
ROLS	X	X	X	X	X

Parameters

db pcb

Specifies the DB PCB for the call. This parameter is an input and output parameter.

i/o pcb

Specifies the I/O PCB for the call. This parameter is an input and output parameter.

aib

Specifies the AIB for the call. This parameter is an input and output parameter. These fields must be initialized in the AIB:

AIBID

Eye catcher. This 8-byte field must contain DFSAIBbb.

AIBLEN

AIB lengths. This field must contain the actual length of the AIB that the application program obtained.

AIBRSNM1

Resource name. This 8-byte, left-justified field must contain the PCB name, IOPCBbbb, or the name of a DB PCB.

AIBOALEN

I/O area length. This field must contain the length of the I/O area specified in the call list.

i/o area

Specifies the I/O area has the same format as the I/O area supplied on the SETS call. This parameter is an output parameter.

token

Specifies the area in your program that contains a 4-byte identifier. This parameter is an input parameter.

Usage

When you use the Roll Back to SETS (ROLS) call to back out to a processing point set by a prior SETS or SETU, the ROLS enables you to continue processing or to back out to the prior commit point and place the input message on the suspend queue for later processing.

Issuing a ROLS call for a DB PCB can result in the user abend code 3303.

Restrictions

For function shipping in the CICS environment, the local and remote CICS must both be DBCTL.

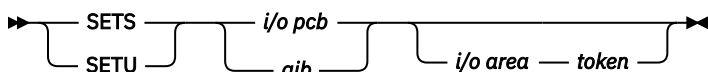
The ROLS call is not valid when the PSB contains a DEDB or MSDB PCB, or when the call is made to a DB2 database.

SETS/SETU call

The Set a Backout Point (SETS) call is used to set an intermediate backout point or to cancel all existing backout points.

The SET Unconditional (SETU) call operates like the SETS call, except that the SETU call is accepted even if unsupported PCBs exist or an external subsystem is used. For more information on the SETS and SETU calls, see the topic "Maintaining Database Integrity" in *IMS Version 15.5 Application Programming*.

Format



Call Name	DB/DC	DBCTL	DCCTL	DB Batch	TM Batch
SETS/SETU	X	X	X	X	X

Parameters

i/o pcb

Specifies the I/O PCB for the call. SETS and SETU must refer to the I/O PCB. This parameter is an input and output parameter.

aib

Specifies the AIB for the call. This parameter is an input and output parameter. These fields must be initialized in the AIB:

AIBID

Eye catcher. This 8-byte field must contain DFSAIBbbb.

AIBLEN

AIB lengths. This field must contain the actual length of the AIB that the application program obtained.

AIBRSNM1

Resource name. This 8-byte, left-justified field must contain the PCB name, IOPCBbbb.

AIBOALEN

I/O area length. This field must contain the length of the I/O area specified in the call list.

i/o area

Specifies the area in your program that contains the data to be returned on the corresponding ROLS call. This parameter is an input parameter.

token

Specifies the area in your program that contains a 4-byte identifier. This parameter is an input parameter.

Usage

The SETS and SETU format and parameters are the same, except for the call functions, SETS and SETU.

The SETS and SETU calls provide the backout points that IMS uses in the ROLS call. The ROLS call operates with the SETS and SETU call backout points.

The meaning of the SC status code for SETS and SETU is as follows:

SETS

The SETS call is rejected. The SC status code in the I/O PCB indicates that either the PSB contains unsupported options or the application program made calls to an external subsystem.

SETU

The SETU call is not rejected. The SC status code indicates either that unsupported PCBs exist in the PSB or the application program made calls to an external subsystem.

Restrictions

For function shipping in the CICS environment, the local and remote CICS must both be DBCTL.

The SETS call is not valid when the PSB contains a DEDB or MSDB PCB, or when the call is made to a DB2 database. The SETU call is valid, but not functional, if unsupported PCBs exist in the PSB or if the program uses an external subsystem.

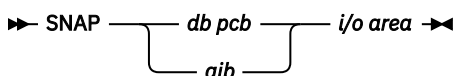
Before a ROLS call, you can specify a maximum of 255 SETS calls with the same token and still back out to the correct message level. After 255 SETS calls, the messages continue to back out, but only to the same message level as at 255th SETS call. The SETS token count resets to zero during sync point processing.

SNAP call

The SNAP call is used to collect diagnostic information.

This topic contains Product-sensitive Programming Interface information.

Format



Call Name	DB/DC	DBCTL	DCCTL	DB Batch	TM Batch
SNAP	X	X		X	

Parameters

db pcb

Specifies the address that refers to a full-function PCB that is defined in a calling program PSB. This parameter is an input and output parameter.

aib

Specifies the AIB for the call. This parameter is an input and output parameter. These fields must be initialized in the AIB:

AIBID

Eye catcher. This 8-byte field must contain DFSAIBbb.

AIBLEN

AIB lengths. This field must contain the actual length of the AIB that the application program obtained.

AIBRSNM1

Resource name. This 8-byte, left-justified field must contain the name of a full-function DB PCB.

AIBOALEN

I/O area length. This field must contain the length of the I/O area specified in the call list.

i/o area

Specifies the area in your program that contains SNAP operation parameters. This parameter is an input parameter. The following figure shows the SNAP operation parameters you specify, including:

- Length for bytes 1 through 2
- Destination for bytes 3 through 10
- Identification for bytes 11 through 18
- SNAP options for bytes 19 through 22

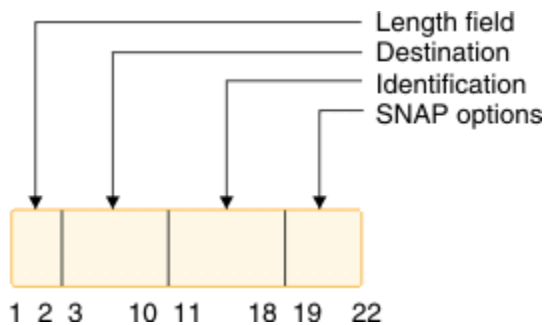


Figure 1. I/O area for SNAP operation parameters

The following table explains the values that you can specify.

Table 25. SNAP operation parameters

Byte	Value	Meaning															
1-2	xx	This 2-byte binary field specifies the length of the SNAP operation parameters. The length must include this 2-byte length field. When you do not specify operation parameters, IMS uses default values. This chart lists the lengths that result from your parameter specifications.															
		<table border="1"> <thead> <tr> <th>If you supply values for:</th> <th>And IMS supplies default values for:</th> <th>Then the length (in hexadecimal) is:</th> </tr> </thead> <tbody> <tr> <td>Destination, Identification, SNAP options</td> <td></td> <td>16</td> </tr> <tr> <td>Destination, Identification</td> <td>SNAP options</td> <td>12</td> </tr> <tr> <td>Destination</td> <td>Identification, SNAP options</td> <td>10</td> </tr> <tr> <td></td> <td>Destination, Identification, SNAP options</td> <td>2</td> </tr> </tbody> </table>	If you supply values for:	And IMS supplies default values for:	Then the length (in hexadecimal) is:	Destination, Identification, SNAP options		16	Destination, Identification	SNAP options	12	Destination	Identification, SNAP options	10		Destination, Identification, SNAP options	2
If you supply values for:	And IMS supplies default values for:	Then the length (in hexadecimal) is:															
Destination, Identification, SNAP options		16															
Destination, Identification	SNAP options	12															
Destination	Identification, SNAP options	10															
	Destination, Identification, SNAP options	2															
If you specify another length, IMS uses default values for the destination, identification, and SNAP operation parameters.																	

Table 25. SNAP operation parameters (continued)

Byte	Value	Meaning
3-10		This 8-byte field tells IMS where to send SNAP output. You can direct output to the IMS log by specifying LOG or <code>bbbbbb</code>
		Directs the output to the IMS log. This is the default destination.
	<i>dcbaddr</i>	Directs the output to the data set defined by this DCB address. The application program must open the data set before the SNAP call refers to it. This option is valid only in a batch environment. The output data set must conform to the rules for a z/OS SNAP data set.
	<i>ddname</i>	Directs the output to the data set defined by the corresponding DD statement. The DD statement must conform to the rules for a z/OS SNAP data set. The data set specified by <i>ddname</i> is opened and closed for this SNAP request. In a DB/DC environment, you must supply the DD statement in the JCL for the control region. If the destination is invalid, IMS directs output to the IMS log.
11-18	<i>ccccccc</i>	This is an eight-character name you can supply to identify the SNAP. If you do not supply a name, IMS uses the default value, NOTGIVEN.
19-22	<i>cccc</i>	This four-character field identifies which data elements you want the SNAP output to include. <i>YYYN</i> is the default.
19		Buffer Pool:
	Y	Dump all buffer pools and sequential buffering control blocks with a SNAP call.
	N	Do not dump buffer pools or sequential buffering control blocks with a SNAP call.
20		Control Blocks:
	Y	Dump control blocks related to the current DB PCB with a SNAP call.
	N	Do not dump control blocks related to the current DB PCB with a SNAP call.
21	Y	Dump all control blocks for this PSB with a SNAP call. Specifying Y in byte 21 produces a snap dump for the current DB PCB request in byte 20 to Y, regardless of the current value.
	N	Do not dump all control blocks for this PSB with a SNAP call. In this case, the current DB PCB SNAP request in position 20 is used as specified.
19-21	ALL	This is equivalent to specifying <i>YYY</i> in positions 19-21.
22		Region:
	Y	Dump the entire region on the DCB address or data set <i>ddname</i> that you supplied in bytes 3-10 with a SNAP call. IMS processes this request before it acts on any SNAP requests made in bytes 19-21. If the destination is the IMS log, IMS does not dump the entire region. Instead, it processes the request as if you had specified ALL.
	N	Do not dump the entire region with a SNAP call.
	S	Dump subpools 0-127 with a SNAP call.

After the SNAP call, IMS can return the AB, AD, or bb (blank) status code. For a description of these codes and the response required, see *IMS Version 15.5 Messages and Codes, Volume 4: IMSComponent Codes*.

Usage

Any application program can issue this call.

Restrictions

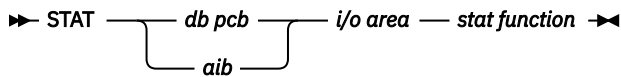
For function shipping in the CICS environment, the local and remote CICS must both be DBCTL.

STAT call

The Statistics (STAT) call is used in a CICS, IMS online, or batch program to obtain database statistics that might be useful for performance monitoring.

This topic contains Product-sensitive Programming Interface information.

Format



Call Name	DB/DC	DBCTL	DCCTL	DB Batch	TM Batch
STAT	X	X		X	

Parameters

db pcb

Specifies the DB PCB used to pass status information to the application program. The VSAM statistics used by the data sets associated with this PCB are not related to the type of statistics that is returned from the STAT call. This PCB must reference a full-function database. This parameter is an input and output parameter.

aib

Specifies the AIB for the call. This parameter is an input and output parameter. These fields must be initialized in the AIB:

AIBID

Eye catcher. This 8-byte field must contain DFSAIBbb.

AIBLEN

AIB lengths. This field must contain the actual length of the AIB that the application program obtained.

AIBRSNM1

Resource name. This 8-byte, left-justified field must contain the name of a full-function DB PCB.

AIBOALEN

I/O area length. This field must contain the length of the I/O area specified in the call list.

i/o area

Specifies an area in the application program that is large enough to hold the requested statistics. This parameter is an output parameter. In PL/I, this parameter should be specified as a pointer to a major structure, array, or character string.

stat function

Specifies a 9-byte area whose content describes the type and format of the statistics required. The first 4 bytes define the type of statistics requested and byte 5 defines the format to be provided. The remaining 4 bytes contain EBCDIC blanks. If the *stat function* that is provided is not one of the defined functions, an AC status code is returned. This parameter is an input parameter. The 9-byte field contains:

- 4 bytes that define the type of statistics you want:

DBAS

OSAM database buffer pool statistics

DBES

OSAM database buffer pool statistics, enhanced or extended

VBAS

VSAM database subpool statistics

VBES

VSAM database subpool statistics, enhanced or extended

- 1 byte that gives the format of the statistics:

F

Full statistics to be formatted. If you specify F, your I/O area must be at least 360 bytes for DBAS or VBAS and 600 bytes for DBES or VBES.

O

Full OSAM database subpool statistics in a formatted form. If you specify O, your I/O area must be at least 360 bytes.

S

Summary of the statistics to be formatted. If you specify S, your I/O area must be at least 120 bytes for DBAS or VBAS and 360 bytes for DBES or VBES.

U

Full statistics to be unformatted. If you specify U, your I/O area must be at least 72 bytes.

- 4 bytes of EBCDIC blanks for normal or enhanced STAT call, or `bE1b`

Restriction: The extended format parameter is supported by the DBESO, DBESU, and DBESF functions only.

Extended OSAM buffer pool statistics can be retrieved by including the parameter `bE1b` following the enhanced call function. The extended STAT call returns all of the statistics returned with the enhanced call, plus the statistics on the coupling facility buffer invalidates, OSAM caching, and sequential buffering IMMED and SYNC read counts.

Usage

The STAT call can be helpful in debugging because it retrieves IMS database statistics. It is also helpful in monitoring and tuning for performance. The STAT call retrieves OSAM database buffer pool statistics and VSAM database buffer supports.

When you request VSAM statistics, each issued STAT call retrieves the statistics for a subpool. Statistics are retrieved for all VSAM local shared resource pools in the order in which they are defined. For each local shared resource pool, statistics are retrieved in ascending order based on buffer size. Statistics for index subpools always follow those for data subpools if any index subpool exists in the shared resource pool. The index subpools are also retrieved in ascending order based on buffer size.

For more information on the STAT call, see *IMS Version 15.5 Application Programming*.

Restrictions

For function shipping in the CICS environment, the local and remote CICS must both be DBCTL.

Related concepts

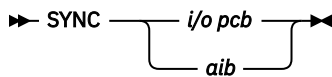
[Retrieving database statistics: the STAT call \(Application Programming\)](#)

SYNC call

The Synchronization Point (SYNC) call is used to release resources that IMS has locked for the application program.

The ODBA interface does not support this call.

Format



Call Name	DB/DC	DBCTL	DCCTL	DB Batch	TM Batch
SYNC	X	X	X		

Parameters

i/o pcb

Specifies the IO PCB for the call. This parameter is an input and output parameter.

aib

Specifies the AIB for the call. This parameter is an input and output parameter. These fields must be initialized in the AIB:

AIBID

Eye catcher. This 8-byte field must contain DFSAIBbb.

AIBLEN

AIB lengths. This field must contain the actual length of the AIB that the application program obtained.

AIBRSNM1

Resource name. This 8-byte, left-justified field must contain the PCB name, IOPCBbbb.

Usage

SYNC commits the changes your program has made to the database, and establishes places in your program from which you can restart, if your program terminates abnormally.

Restrictions

The SYNC call is valid only in non-message driven BMPs; you cannot issue a SYNC call from an CPI-C driven application program.

For important considerations about using the SYNC call, see *IMS Version 15.5 Database Administration*.

TERM call (CICS online programs only)

The Terminate (TERM) call is used to terminate a PSB in a CICS online program.

The ODBA interface does not support this call.

Format



Call Name	DB/DC	DBCTL	DCCTL	DB Batch	TM Batch
TERM	X	X			

Usage

If your program needs to use more than one PSB, you must issue a TERM call to release the first PSB it uses and then issue a second PCB call to schedule the second PSB. The TERM call also commits database changes.

The only parameter in the TERM call is the call function: TERM or **bbb**. When your program issues the call, CICS terminates the scheduled PSB, causes a CICS sync point, commits changes, and frees resources for other tasks.

Restrictions

For function shipping in the CICS environment, the local and remote CICS must both be DBCTL.

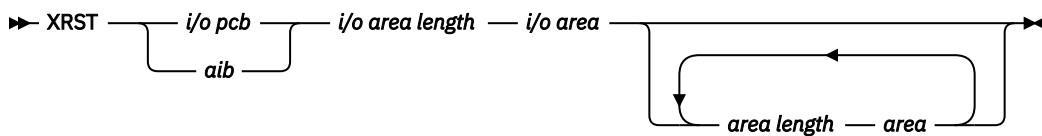
XRST call

The Extended Restart (XRST) call is used to restart your program.

If you use the symbolic Checkpoint call in your program, you must precede it with an XRST call that specifies checkpoint data of blanks.

The ODBA interface does not support this call.

Format



Call Name	DB/DC	DBCTL	DCCTL	DB Batch	TM Batch
XRST	X	X	X	X	X

Parameters

i/o pcb

Specifies the I/O PCB for the call. XRST must refer to the I/O PCB. This parameter is an input and output parameter.

aib

Specifies the AIB for the call. This parameter is an input and output parameter. These fields must be initialized in the AIB:

AIBID

Eye catcher. This 8-byte field must contain DFSAIBbb.

AIBLEN

AIB lengths. This field must contain the actual length of the AIB that the application program obtained.

AIBRSNM1

Resource name. This 8-byte, left-justified field must contain the PCB name, IOPCBbbb.

AIBOALEN

I/O area length. This field must contain the length of the I/O area specified in the call list. This parameter is not used during the XRST call. For compatibility reasons, this parameter must still be coded.

i/o area length

This parameter is no longer used by IMS. For compatibility reasons, this parameter must still be included in the call, and it must contain a valid address. You can get a valid address by specifying the name of any area in your program.

i/o area

Specifies a 14-byte area in your program. This area must be either set to blanks if you are starting your program normally or, if performing an extended restart, have a checkpoint ID.

area length

Specifies a 4-byte field in your program that contains the length (in binary) of the area to restore.

This parameter is an input parameter. You can specify up to seven area lengths. For each area length, you must specify the *area* parameter. All seven *area* parameters (and corresponding *area length* parameters) are optional. When you restart the program, IMS restores only the areas specified on the CHKP call.

The number of areas you specify on an XRST call must be less than or equal to the number of areas you specify on a CHKP call.

area

Specifies the area in your program that you want IMS to restore. You can specify up to seven areas. Each area specified must be preceded by an *area length*. This is an input parameter.

Usage

Programs that want to issue Symbolic Checkpoint calls (CHKP) must also issue the Extended Restart call (XRST). The XRST call must be issued only once and should be issued early in the execution of the program. It does not need to be the first call in the program. However, it must precede any CHKP call. Any Database calls issued before the XRST call are not within the scope of a restart.

To determine whether to perform a normal start or a restart, IMS evaluates the I/O area provided by the XRST call or CKPTID= value in the PARM field on the EXEC statement in your program's JCL.

Starting your program normally

When you are starting your program normally, the I/O area pointed to in the XRST call must contain blanks and the CKPTID= value in the PARM field must be nulls. This indicates to IMS that subsequent CHKP calls are symbolic checkpoints rather than basic checkpoints. Your program should test the I/O area after issuing the XRST call. IMS does not change the area when you are starting the program normally. However, an altered I/O area indicates that you are restarting your program. Consequently, your program must handle the specified data areas that were previously saved and that are now restored.

Restarting your program

You can restart the program from a symbolic checkpoint taken during a previous execution of the program. The checkpoint used to perform the restart can be identified by entering the checkpoint ID either in the I/O area pointed to by the XRST call (left-most justified, with the rest of the area containing blanks) or by specifying the ID in the CKPTID= field of the PARM= parameter on the EXEC statement in your program's JCL. (If you supply both, IMS uses the CKPTID= value specified in the parameter field of the EXEC statement.)

The ID specified can be:

- A 1- to 8-character extended checkpoint ID.
- A 14-character "time stamp" ID from message DFS0540I, where:
 - IIII is the region ID.
 - DDD is the day of the year.
 - HHMSST is the time in hours, minutes, seconds, and tenth of a second.
- The 4-character constant "LAST". (BMPs only: this indicates to IMS that the last completed checkpoint issued by the BMP will be used for restarting the program.)

The system message DFS0540I supplies the checkpoint ID and the time stamp.

The system message DFS682I supplies the checkpoint ID of the last completed checkpoint which can be used to restart a batch program or batch message processing program (BMP) that was abnormally terminated.

At completion of the XRST call the I/O area always contains the 8-character checkpoint ID used for the restart. An exception exists when the checkpoint ID is equal to 8 blank characters; the I/O area then contains a 14-character time stamp (IIIIDDHHMSST).

If the program being restarted is in a DL/I batch region, the IMSLOGR DD statement that defines the log data set must be supplied in the JCL. IMS reads these data sets and searches for the checkpoint records that have the ID that was specified.

However, if the program being restarted is in a BMP region and all of the following conditions are met, an IMSLOGR DD statement is not required:

- The BMP program is restarted with CKPTID=LAST.
- The BMP program is restarted on the same IMS system with the same job name, same PSB, and same program name that was used when it abended.
- IMS has not been cold-started since the BMP program abended.
- The checkpoint records that are needed to restart the program are on an OLDS data set that has not been archived and reused since the time of the abend, or the SLDSREAD logger function is active in IMS.

If any of the preceding conditions are not met, you must supply an IMSLOGR DD statement that points to the data set that contains the required checkpoint records.

If an IMSLOGR DD statement is supplied, it must contain the required checkpoint log records. IMS does not automatically locate and retrieve checkpoint records for a BMP if an IMSLOGR DD statement is present. Only the IMSLOGR DD data set is searched and, if the record is not found, the BMP program terminates with abend U0102.

Note: A DD DUMMY statement is permissible for an IMSLOGR DD statement and is treated as if no IMSLOGR DD statement was supplied.

At the completion of the XRST call, the I/O area always contains the 8-character checkpoint ID used for the restart. An exception exists when the checkpoint ID is equal to 8 blank characters; the I/O area then contains a 14-character time stamp (IIIIDDDHHMMSST).

Also check the status code in the I/O PCB. The only successful status code for an XRST call are blanks.

Position in the database after issuing XRST

The XRST call attempts to reposition all databases to the position that was held when the last checkpoint was taken. This is done by including each PCB and PCB key feedback area in the checkpoint record. Issuing XRST causes the key feedback area from the PCB in the checkpoint record to be moved to the corresponding PCB in the PSB that is being restarted. Then IMS issues a GU call, qualified with the concatenated key (using the C command code), for each PCB that held a position when the checkpoint was taken.

After the XRST call, the PCB reflects the results of the GU repositioning call, not the value that was present when the checkpoint was taken. The GU call is not made if the PCB did not hold a position on a root or lower-level segment when the checkpoint was taken. A GE status code in the PCB means that the GU for the concatenated key was not fully satisfied. The segment name, segment level, and key feedback length in the PCB reflect the last level that was satisfied on the GU call. A GE status code can occur because IMS is unable to find a segment that satisfies the segment search argument that is associated with a Get call for one of the following reasons:

- The call preceding the checkpoint call was a DLET call issued against the same PCB. In this case, the position is correct because the position after the Get call does not find its target is the same position that would exist following the DLET call.

Restriction: Avoid taking a checkpoint immediately after a DLET call.

- The segment was deleted by another application program between the time your program terminated abnormally and the time you restarted your program. A GN call issued after the restart returns the first segment that follows the deleted segment or segments.

This explanation assumes that position at the time of checkpoint was on a segment with a unique key. XRST cannot reposition to a segment if that segment or any of its parents have a non-unique key.

For a DEDB, the GC status code is received when position is not on a segment but at a unit-of-work (UOW) boundary. Because the XRST call attempts to reestablish position on the segment where the PCB was

positioned when the symbolic checkpoint was taken, the XRST call does not reestablish position on a PCB if the symbolic checkpoint is taken when the PCB contains a GC status code.

If your program accesses GSAM databases, the XRST call also repositions these databases.

During GSAM XRST processing, a check is made to determine if the GSAM output data set to be repositioned is empty and if the abending job had previously inserted records in the data set.

Restrictions

If your program is being started normally, the first 5 bytes of the I/O area must be set to blanks.

If your program is restarted and the CKPTID= value in the PARM field of the EXEC statement is not used, then the right-most bytes beyond the checkpoint ID being used in the I/O area must be set to blanks.

The XRST call is allowed only from Batch and BMP application programs.

Transaction management

Use the following reference information to make DL/I calls for transaction management.

DL/I calls for transaction management

Use these DL/I calls with IMS TM to perform transaction management functions in your application programs.

Transaction management calls must use either *i/o pcb* or *aib* parameters.

Each call description contains:

- A syntax diagram
- A definition for each parameter that can be used in the call
- Details on how to use the call in your application program
- Restrictions on the use of the call

Each parameter is described as an input or output parameter. "Input" refers to input to IMS from the application program. "Output" refers to output from IMS to the application program.

The syntax diagrams for the transaction management calls do not contain the complete call structure. Instead, the calls begin with the *function* parameter. The call, the call interface (xxxTDLI), and *parmcount* (if it is required) are not included in the syntax diagrams. See language-specific information (for COBOL, C language, Pascal, PL/I, and assembler language) in the topic "Defining Application Program Elements" in *IMS Version 15.5 Application Programming* for the complete structure.

Transaction Management Call Summary

The following table summarizes the parameters that are valid for each of the transaction management message calls. The following table lists the function code, its meaning, use, parameters, and in which regions it is valid. Optional parameters are enclosed in brackets, [].

Exception: Language-dependent parameters are not shown here. The variable *parmcount* is required for all PLITDLI calls. Either *parmcount* or VL is required for assembler language calls. *parmcount* is optional in COBOL, C, and Pascal programs. See the topic "Formatting DL/I Calls for Language Interfaces" in *IMS Version 15.5 Application Programming* for language-specific information.

Related reading: For information on writing calls with programming language interfaces, see the topic "Defining Application Program Elements" in *IMS Version 15.5 Application Programming*.

Table 26. Summary of TM message calls

Function Code	Meaning	Use	Parameters	Valid for
AUTH	Authorization	Verifies user's security authorization	function, i/o pcb or aib, i/o area	DB/DC, DCCTL
CHNG	Change	Sets destination on modifiable alternate PCB	function, alt pcb or aib, destination name[, options list, feedback area]	DB/DC, DCCTL
CMD	Command	Used by a program to issue IMS commands	function, i/o pcb or aib, i/o area	DB/DC, DCCTL
GCMD	Get Command	Retrieves second and any subsequent responses to a command	function, i/o pcb or aib, i/o area	DB/DC, DCCTL
GN	Get Next	Retrieves second and any subsequent message segments	function, i/o pcb or aib, i/o area	DB/DC, DCCTL
GU	Get Unique	Retrieves the first segment of a message	function, i/o pcb or aib, i/o area	DB/DC, DCCTL
ICAL	IMS Call	Sends a synchronous request for data or services to a non-IMS application program or service that runs in a distributed environment	aib, request area, response area	DB/DC, DCCTL
ISRT	Insert	Builds an output message in a program's I/O area	function, i/o or alt pcb or aib, i/o area [,mod name.]	DB/DC, DCCTL
PURG	Purge	Enqueues messages from a PCB to destinations	function, i/o or alt pcb or aib[, i/o area, mod name.]	DB/DC, DCCTL
SETO	Sets processing options for advanced print functions and APPC/IMS message processing	Feedback area returns information about errors in the options list	function, i/o pcb or alternate pcb or aib, i/o area, options list[, feedback area]	BMP, MPP, IFP DB/DC, DCCTL

Related reading: DCCTL users can issue calls using GSAM database PCBs, which are described in *IMS Version 15.5 Application Programming*.

Related reference

“DL/I calls for IMS DB system services” on page 30
Use these DL/I calls to obtain IMS DB system services.

“DL/I calls for database management” on page 1

Use these DL/I calls with IMS DB to perform database management functions in your application program.

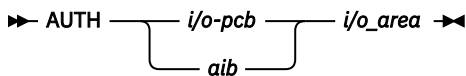
[“EXEC DLI commands” on page 153](#)

The EXEC DLI commands are the only commands that are allowed for EXEC DLI. These commands can be used to read and update DL/I databases with a batch program, a BMP region (running DBCTL or DB/DC), or a CICS program using DBCTL.

AUTH call

An Authorization (AUTH) call verifies each user's security authorization. It determines whether a user is authorized to access the resources specified on the AUTH call.

Format



Call Name	DB/DC	DBCTL	DCCTL	DB Batch	TM Batch
AUTH	X		X		

Parameters

i/o pcb

Specifies the I/O PCB, the first PCB address in the list that is passed to the program. This parameter is an input and output parameter.

aib

Specifies the application interface block (AIB) that is used for the call. This parameter is an input and output parameter.

The following fields must be initialized in the AIB:

AIBID

Eye catcher. This 8-byte field must contain DFSAIBbb.

AIBLEN

AIB lengths. This field must contain the actual length of the AIB that the application program obtained.

AIBRSNM1

Resource name. This 8-byte, left-justified field must contain the PCB name IOPCBbbb.

AIBOALEN

I/O area length. This field must contain the length of the I/O area that is specified in the call list.

i/o area

Specifies the I/O area used for the call. This parameter is an input and output parameter.

I/O Area

The following tables show the format of the parameter list in the I/O area before the AUTH call is issued.

I/O area before the AUTH call

Table 27. I/O area before the AUTH call is issued for AIBTDLI, ASMTDLI, CBLTDLI, CEETDLI, CTDLI, and PASTDLI interfaces

Field Name	Field Length
LL	2
ZZ	2

Table 27. I/O area before the AUTH call is issued for AIBTDLI, ASMTDLI, CBLTDLI, CEETDLI, CTDLI, and PASTDLI interfaces (continued)

Field Name	Field Length
CLASSNAME	8
RESOURCE	8
USERDATA	8

Table 28. I/O area before the AUTH call is issued for the PLITDLI interface

Field Name	Field Length
LLLL	4
ZZ	2
CLASSNAME	8
RESOURCE	8
USERDATA	8

LL or LLLL

specifies a 2-byte field that contains the length of the parameter list, including two bytes for LL. For the PLITDLI interface, use the 4-byte field LLLL. However, if you use the AIBTDLI interface, PL/I programs require only a 2-byte field.

ZZ

specifies a 2-byte field that contains binary zeros.

CLASSNAME

specifies an 8-byte field that contains one of the following values:

- TRANbbbb
- DATABASE
- SEGMENTb
- FIELDbbb
- OTHERbbb

All parameters are 8 bytes in length, left-justified, and must be padded to the right with blanks.

The use of a generic class name in the call parameter list eliminates the need for the application to be sensitive to the actual Resource Access Control Facility (RACF) class names being used. Since transaction authorization must be active, only the RACF class associated with the generic class name identifier for the transaction class must be defined. The generic class name in the call parameter list causes the authorization function to select the proper RACF class and request access checking for that class.

RESOURCE

specifies the 8-byte field that contains the name of the resource to be checked. Except for the generic class TRAN, the resource name can be whatever the application designates because the name has no meaning for IMS TM.

IMS TM performs no validity checking of the resource name.

USERDATA

specifies the 8-byte keyword constant USERDATA is the only value supported. Its presence in the parameter list means that the application program wants any RACF installation data that exists in the RACF accessor environment element (ACEE).

The following tables show the I/O area after the AUTH call.

I/O area after the AUTH call

Table 29. I/O area after the AUTH call is issued for AIBTDLI, ASMTDLI, CBLTDLI, CEETDLI, CTDLI, and PASTDLI interfaces

Field Name	Field Length
LL	2
ZZ	2
FEEDBACK	2
EXITRC	2
STATUS	2
RESERVED	16
UL	2
USERDATA	Variable

Table 30. I/O area after the AUTH call is issued for the PLITDLI interface

Field Name	Field Length
LLLL	4
ZZ	2
FEEDBACK	2
EXITRC	2
STATUS	2
RESERVED	16
UL	2
USERDATA	Variable

LL or LLLL

A 2-byte field that contains the length of the character string, plus 2 bytes for LL. For the PLITDLI interface, use the 4-byte field LLLL. However, if you use the AIBTDLI interface, PL/I programs require only a 2-byte field.

ZZ

specifies a 2-byte field that contains binary zeros.

FEEDBACK

specifies a 2-byte field that contains one of the following RACF return codes:

0000

User is authorized.

0004

Resource or class not defined.

0008

User is not authorized.

000C

RACF is not active.

0010

Invalid installation exit return code.

EXITRC

specifies a 2-byte field that contains the return code from the user exits if they were used. The EXITRC field contains the return code from the last user exit that was entered. If none of the user exits are present or invoked, the field contains binary zeros. If installation data is returned from the exit, the EXITRC field is set to zero to indicate an authorized return code from the exit.

STATUS

specifies a 2-byte field that contains the hexadecimal status code indicating installation data status:

0000

RACF installation data is present in the I/O area.

0004

Security exit installation data present in then I/O area.

0008

User is not currently signed on.

000C

User is not authorized, so installation data is not made available, or user is authorized, but no installation data has been defined.

0010

User was authorized, but installation data was not requested.

0014

USERDATA exceeds PSBWORK area length.

0018

RACF not active and TRN=N defined.

RESERVED

Binary zeros (reserved)

UL

specifies a 2-byte field that specifies the length of the installation data, including the length of the UL parameter.

USERDATA

specifies a variable-length field that contains installation data from ACEE or a user security exit. The length of the installation data is limited to 1026 bytes, including the length (UL) field. If a security exit returns a value greater than 1026, IMS truncates the installation data and adjusts the length field to represent the amount of installation data actually returned to the application program. If security exit installation data is returned, IMS passes it to the application program even if the parameter list did not contain the USERDATA parameter.

Any available installation data is returned if the return code from RACF indicates that the user is authorized to the resource named in the call parameter list. No installation data is returned if the user who originated the transaction is no longer signed on to the terminal associated with the transaction. Installation data might or might not be provided by the security exits when they are involved in the security decision. However, when either of the exits returns installation data, IMS passes it on to the application program.

If provided, installation data is returned from a security exit to the application even when the call parameter list does not specify the USERDATA parameter. In that case, the STATUS field of the I/O area contains the code X'0004' indicating the presence of the installation data.

Usage

The AUTH call determines whether a user is authorized to access the resources specified on the AUTH call. AUTH is issued with an I/O PCB and its function depends on the application program. Authorization checking depends on the dependent region type and whether a GU call has been issued. The call functions are as follows:

- In BMPs, AUTH uses the user ID of the IMS control region or installation specific user exits to determine the status of the call.

- For BMPs that have issued a successful GU call to the I/O PCB, AUTH functions as it does in an MPP.
- In MPPs, AUTH verifies user authorization with RACF for the specified resource classes of those resources used by the application program.

Because the call can request RACF user data to be passed back in the I/O area as installation data, the processing of the call always results in changes to the STATUS field in the I/O area. This STATUS field notifies the application of the status of installation data in the I/O area: available or not available. It might not be available because the installation data is not defined or the originating user is no longer signed on to the IMS system.

Either of the supported security exits for transaction authorization (DFSCTRNO or DFSCTSEO) can present installation data upon return to IMS. If an exit returns installation data, the data is returned to the application even if the parameter list did not contain the USERDATA parameter. The STATUS field is set to indicate the origination of the installation data. The STATUS field indicates the presence of either RACF installation data or security exit installation data.

The application program also receives notification of the actual RACF return code. This return code, presented as FEEDBACK in the I/O area, can be used by the application program to detect inconsistent operational modes and take alternate action. Examples of inconsistent operational modes are the proper RACF classes not being defined or the requested resource not properly defined to RACF.

By checking the FEEDBACK, EXITRC, and STATUS in the I/O area, the application program can be sensitive to issues such as the proper RACF definitions and resources not being defined. If RACF is being used, and the AUTH call references any resources that are not defined, the PCB status code is set to blanks and the FEEDBACK field of the I/O area is set to indicate that the resource is not protected.

Because the value for EXITRC is provided by a user security exit, use of this field must be made with an understanding of exit operation and the knowledge that any changes to the exit can result in application errors. If due to operational errors, the proper resources are not protected, the application can deal with the error in any way. This feedback can make operational control simpler and give the application more flexibility.

Related reading: RACF terms and concepts are discussed in more detail in other information units. For additional information, see *IMS Version 15.5 System Administration* and *IMS Version 15.5 Exit Routines*.

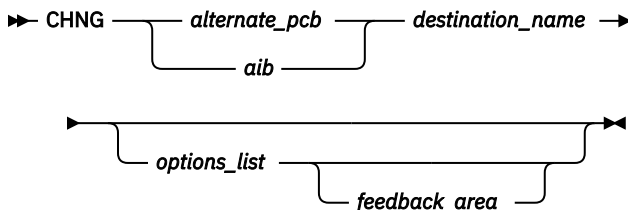
Restrictions

The AUTH call must not be issued before a successful GU call to the I/O PCB.

CHNG call

The Change (CHNG) call sets the destination of a modifiable alternate PCB to the logical terminal, LU 6.2 descriptor, or transaction code that you specify. You can also use the CHNG call with the Spool Application Program Interface (Spool API) to specify print data set characteristics.

Format



Call Name	DB/DC	DBCTL	DCCTL	DB Batch	TM Batch
CHNG	X		X		

Parameters

alternate pcb

Specifies the modifiable alternate PCB to use for this call. This parameter is an input and output parameter.

aib

Specifies the application interface block (AIB) that is used for the call. This parameter is an input and output parameter.

The following fields must be initialized in the AIB:

AIBID

Eye catcher. This 8-byte field must contain DFSAIBbb.

AIBLEN

AIB lengths. This field must contain the actual length of the AIB that the application program obtained.

AIBRSNM1

Resource name. This 8-byte, left-justified field must contain the name of a modifiable alternate PCB.

AIBOALEN

I/O area length. This field must contain the length of the I/O area that is specified in the call list.

destination name

Specifies an 8-byte field containing the destination name (the logical terminal or transaction code) to which you want messages sent. This parameter is an input parameter. The destination name can be up to 8 bytes. When you specify LU 6.2 options, IMS TM sets the destination name in the alternate PCB to DFSLU62b. If an LU 6.2 options list is specified the destination name parameter is ignored.

For more information on LU 6.2, see *IMS Version 15.5 Communications and Connections*.

The destination name may also be used to implement message switches from OTMA to non-OTMA destinations. In this case, the destination name must match the name of the routing descriptor in the DFSYDTx member of IMS.PROCLIB.

Restriction: Some destination names are invalid. For more information on resource naming rules, see *IMS Version 15.5 Communications and Connections*.

options list

Specifies one of several option keywords. This parameter is an input parameter. The options in the list are separated by commas and cannot contain embedded blanks. Processing for the options list terminates when the first blank in the list is reached or when the specified options list length has been processed. You can specify options for advanced print functions or for APPC.

For more information on APPC, see *IMS Version 15.5 Communications and Connections*.

The format for the *options list* is shown here:

LL or LLLL ^{1, 2, 3}	ZZ	keyword1=variable1
Halfword length of the options string, including the 4-byte length of LLZZ or LLLLZZ.	Halfword of zero.	CHNG options separated by commas.

Notes:

1. For application programs that use the PLITDLI interface, the length field is a fullword (LLLL). However, the length of the LLLLZZ field is still considered four bytes.
2. If the length field is set to zero, the options list is ignored. IMS TM processes the CHNG call as if the *options list* parameter was not specified.
3. A keyword must be separated from the following variable by an equal sign (=). A keyword with no variable must be delimited by a comma or blank.

feedback area

Specifies an optional parameter used to return error information about the options list to the application program. This parameter is an output parameter. The amount of information that the application program receives is based on the size of the feedback area. If no feedback area is specified, the status code returned is the only indication of an options list error. If you specify a feedback area 1½ to 2 times the size of the specified options list (a minimum of eight words), IMS TM returns more specific information about errors in the options list.

The following table shows the format for the feedback area passed to IMS in the call list:

LL or LLLL ^{1, 2}	ZZ
Halfword length of the feedback area, including the 4-byte length of the LLZZ fields.	Halfword of zero.

Notes:

1. For application programs that use the PLITDLI interface, the length field is a fullword (LLLL). However, the length of the LLLLZZ field is still considered 4 bytes.
2. If the length field is set to zero, the feedback area is ignored. IMS TM processes the CHNG call as if the *feedback area* parameter was not specified.

The output format returned to the application program from IMS for the feedback area is as follows:

LLZZ or LLLLZZ	LL	<i>feedback data</i>
The length field as specified in the input format for the feedback area.	Halfword length of the feedback data returned by IMS TM, including the 2-byte LL field.	Data returned by IMS TM. The feedback data generally includes the option keyword found to be in error and a 4-byte EBCDIC code in parentheses that indicates the reason for the error. Multiple errors are separated by commas.

Usage

Use the CHNG call to send an output message to an alternate destination in your system or in another system. When you issue the CHNG call, you supply the name of the destination to which you want to send the message. The alternate PCB you name then remains set to that destination until you do one of the following:

- Issue another CHNG call to reset the destination.
- Issue a Get Unique (GU) call to the message queue to start processing a new message. In this case, the name of the PCB you specify with the CHNG call still appears in the alternate PCB, even though it is no longer valid.
- Terminate the application program. When you terminate the application, IMS TM resets the destination to blanks.

You can use the CHNG call to perform Spool API functions.

For Spool API functions, each CHNG call to a nonexpress, alternate PCB, creates a separate JES spool data set. (PURG calls have no effect when issued against a nonexpress, alternate PCB.) If the destination of the PCB is the JES spool, it cannot be CHNGed to a non-JES spool destination until the data set(s) have been released by a sync point. Keywords that can be specified on the CHNG call are discussed below.

In the OTMA environment

If an IMS application program issues a CHNG call to an alternate PCB and specifies an options list, then the output destination cannot be an IMS Open Transaction Manager client.

An IMS application program that issues a CHNG call to an alternate PCB (specifying an options list) does not cause IMS to call the OTMA Prerouting and Destination Resolution exit routines to determine the destination. But an IMS application program that issues a CHNG call to an alternate PCB (specifying an APPC descriptor) does cause IMS to call the OTMA exit routines to determine the destination. For information on these exit routines, see *IMS Version 15.5 Exit Routines*.

The application program can still issue ISRT calls to the I/O PCB to send data to an OTMA destination.

OTMA application programs can use CHNG and ISRT calls for APPC destinations. For more information, see *IMS Version 15.5 Communications and Connections*.

Advanced print function options

The IAFP keyword identifies the CHNG call as a request for Spool API functions. The parameters of the IAFP keyword are:

Keyword	Description
----------------	--------------------

IAFP=abc	
-----------------	--

- | | |
|---|--|
| a | — specifies carriage control options |
| b | — specifies integrity options |
| c | — specifies message processing options |

These options specify advanced print functions for the CHNG call.

Carriage control options: The 1-character carriage control options indicate the type of carriage control that is present in the message data when the ISRT or PURG call is issued. Your application program must insert the proper carriage control characters in the data stream. You can specify one of the following values for the IAFP keyword:

A

The data stream contains ASA carriage control characters.

M

The data stream contains machine carriage control characters.

N

The data stream does not contain carriage control characters.

Integrity options: The 1-character integrity options indicate the method IMS TM uses in allocating the IMS Spool data set that contains the IAFP message. You can specify one of the following options for the IAFP keyword:

0

IMS TM attempts no data set protection. Your application program must provide any disposition or hold status by using the appropriate OUTPUT descriptor options. IMS TM does attempt to prevent a partial message from printing and to deallocate data sets that contain messages that have already reached a sync point. To control whether error messages about the IMS Spool data set are issued, use the message processing options for the IAFP keyword.

1

The IMS Spool data set is placed on the SYSOUT HOLD queue when it is allocated. If IMS TM issues message DFS00121 or DFS00141, the operator must query the SYSOUT HOLD queue to locate the appropriate data sets. IMS TM releases the data set and deallocates it to be printed at sync point.

When you specify 1 for the integrity option, you must specify *M* for the message processing option of the IAFP keyword.

2

A remote destination is specified in the *destination name* parameter on the CHNG call. The IMS Spool data set, when allocated, is placed on a SYSOUT remote workstation, IMSTEMP. This destination must be included in the definitions as nonselectable so that the data set is not automatically selected to be printed. If IMS TM issues message DFS00121 or DFS00141, the operator must query IMSTEMP to locate the appropriate data sets. At sync point, IMS TM releases the data set and deallocates it

to the remote workstation ID specified in the *destination name* parameter. The value 2 overrides any destination specified in the IAFP OUTPUT options.

Message processing options: The 1-character message processing options indicate whether IMS TM issues message DFS00141 during restart and message DFS00121 for dynamic allocation failures. You can specify one of the following options:

O

DFS00121 and DFS00141 are not issued. Your application program controls IAFP message integrity.

M

DFS00121 and DFS00141 are issued if necessary. IMS TM controls IAFP message integrity.

The CHNG call can provide the data set characteristics by:

- Directly, using the PRTO= option
- Referencing prebuilt text units, using the TXTU= option
- Referencing an OUTPUT JCL statement in the dependent region's JCL, using the OUTN= option

When you use the IAFP keyword, you must also specify the PRTO, TXTU, or OUTN option. (The options PRTO, TXTU, and OUTN are mutually exclusive.) If you do not specify one of these additional options, or if you specify more than one of these options, or if you specify IAFP with an invalid value, IMS TM returns an AR status code to your application program.

Keyword

Description

PRTO=*outdes options*

Describes the data set processing options as they are specified on the TSO OUTDES statement.

The format for the PRTO= keyword is as follows:

LL	<i>outdes options</i>
Halfword length of the total OUTDES printer options, including the 2-byte length of LL .	Any valid combination of OUTDES printer options.

Note: Some options depend on the release level of MVS™.

TXTU=*address*

specifies the address of a list of text-unit pointers. The list (with the associated text units) can be created by a previous SET0 call, or it can be created by your application program. The LLZZ or LLLLZZ prefix must be included on the buffer that contains the list. TXTU allows your application program to issue a SET0 call to build the text units for the OUTDES options before the CHNG call is issued.

If your application program issues several CHNG calls with the same OUTDES printer options, the TXTU option means you do not need to build OUTDES options for each CHNG call.

OUTN=*name*

specifies a character string up to eight characters long that contains the name of an OUTPUT JCL statement that identifies the printer processing options to be used. If the specified OUTPUT DD statement is not included in the JCL for the region in which the application program runs, a dynamic allocation error occurs when the application attempts to insert data to the data set.

APPC options: The following APPC options are available for the CHNG call:

Keyword

Description

LU=*logical unit name*

Specifies the logical unit (LU) name of a partner for an LU 6.2 conversation with a partner application program. It is used in conjunction with the MODE and TPN options to establish the conversation. The LU name can be any alphanumeric string including national characters, but the first character cannot be a number. If the LU name is a network-qualified name, it can be up to seventeen characters long

and consist of the network ID of the originating system, followed by '!', then the LU name. (for example, netwrkid.luname). The LU name and the network ID are both one to eight characters long. The default for this option is DFSLU.

MODE=mode name

Specifies the mode of the partner for an LU 6.2 conversation with a partner application program. It is used in conjunction with the LU and TPN options to establish the conversation. The mode name can be any alphanumeric string up to eight characters long, including national characters, but the first character cannot be a number. If both MODE and SIDE options are specified, the mode name specified in the SIDE entry is ignored but is not changed. The default for this option is DFSMODE.

TPN=transaction program name

Specifies the transaction program (TP) name of the partner application program in an LU 6.2 conversation. The option is used in conjunction with the LU and MODE keywords to establish the conversation.

TP names can be up to 64 characters long and can contain any character from the 00640 character set except a blank. The 00640 character set includes the letters A-Z, the digits 0-9, and 20 special characters. The default for this option is DFSASYNC. For more information on the 00640 character set, see CPI Communications Reference. The format for the TPN option is as follows:

LL	<i>tpn</i>
Halfword length of the TP name, including the 2-byte length of LL.	The TP name, which can be up to 64 characters long.

TP names that are processed with the IMS command processor must contain characters that are valid to IMS. For example, names that contain lower case letters cannot be processed and are rejected if they are used as operands for IMS commands.

SIDE=side information entry name

Specifies the side information entry name that can be used to establish an LU 6.2 conversation with a partner application program. The SIDE name can contain up to eight characters, including the uppercase alphabet (A-Z), and the digits 0-9. If the LU, MODE, or TPN keywords are specified, they override the SIDE keyword, but they do not change the side information entry name. This option has no default.

SYNC=NC

Overrides the APPC/IMS conversation synchronization level. N sets the synchronization level to NONE. C sets the synchronization level to CONFIRM. The default for this option is C.

TYPE=BM

Overrides the APPC/IMS conversation type. B sets the conversation type to BASIC. M sets the conversation type to MAPPED. The default for this option is M.

Related reading: For more information on APPC and the default options, see *IMS Version 15.5 Communications and Connections*.

Options list feedback area: When errors are encountered in the options list, the options list feedback area is used to return error information to the application.

IMS attempts to parse the entire options list and return information on as many errors as possible. If the feedback area is not large enough to contain all the error information, only as much information is returned as space permits. The status code is the only indication of an option list error if you do not specify the area.

The feedback area must be initialized by the application with a length field indicating the length of the area. A feedback area approximately 1.5 to 2 times the length of the options list or a minimum of 8 words should be sufficient.

Error codes

This section contains information on error codes that your application can receive.

**Error Code
Reason**

(0002)

Unrecognized option keyword.

Possible reasons for this error are:

- The keyword is misspelled.
- The keyword is spelled correctly but is followed by an invalid delimiter.
- The length specified field representing the PRTO is shorter than the actual length of the options.
- A keyword is not valid for the indicated call.

(0004)

Either too few or too many characters were specified in the option variable. An option variable following a keyword in the options list for the call is not within the length limits for the option.

(0006)

The length field (LL) in the option variable is too large to be contained in the options list. The options list length field (LL) indicates that the options list ends before the end of the specified option variable.

(0008)

The option variable contains an invalid character or does not begin with an alphabetic character.

(000A)

A required option keyword was not specified.

Possible reasons for this error are:

- One or more additional keywords are required because one or more keywords were specified in the options list.
- The specified length of the options list is more than zero but the list does not contain any options.

(000C)

The specified combination of option keywords is invalid. Possible causes for this error are:

- The keyword is not allowed because of other keywords specified in the options list.
- The option keyword is specified more than once.

(000E)

IMS found an error in one or more operands while it was parsing the print data set descriptors. IMS usually uses z/OS services (SJF) to validate the print descriptors (PRTO= option variable). When IMS calls SJF, it requests the same validation as for the TSO OUTDES command. Therefore, IMS is insensitive to changes in output descriptors. Valid descriptors for your system are a function of the MVS release level. For a list of valid descriptors and proper syntax, use the TSO HELP OUTDES command.

IMS must first establish that the format of the PRTO options is in a format that allows the use of SJF services. If it is not, IMS returns the status code **AS**, the error code (000E), and a descriptive error message. If the error is detected during the SJF process, the error message from SJF will include information of the form (R.C.=xxxx,REAS.=yyyyyyyy), and an error message indicating the error.

The range of some variables is controlled by the initialization parameters. Values for the maximum number of copies, allowable remote destination, classes, and form names are examples of variables influenced by the initialization parameters.

Restrictions

Before you can use the CHNG call to set or alter the destination of an alternate PCB, you must issue the PURG call to indicate to IMS that the message that you have been building with that PCB is finished.

LU 6.2 architecture prohibits the use of the ALTRESP PCB on a CHNG call in an LU 6.2 conversation. The LU 6.2 conversation can only be associated with the IOPCB. The application sends a message on the existing LU 6.2 conversation (synchronous) or has IMS create a new conversation (asynchronous) using

Usage

Use the CMD call with the GCMD call to send commands to and receive responses from IMS TM. After the CMD call issues the command to IMS TM, IMS TM processes the command and returns the first segment of the response message to the application program's I/O area, but only if a CC status code is returned on the CMD call. Your application program must then issue GCMD calls to retrieve all subsequent message segments one segment at a time. The CMD and GCMD command calls are typically used to perform functions that are usually handled by someone at a terminal. These programs are called automated operator (AO) applications.

Before you issue a CMD call, the IMS command that you want to execute must be in the I/O area that you refer to in the call. When you issue a CMD call, IMS TM passes the command from the I/O area to the IMS control region for processing. IMS TM places your application program in a wait state until the command is processed. The application program remains in a wait state until IMS TM returns a response. (*Response* means that IMS TM has received and processed the command.) For asynchronous commands, you receive a response when the command is processing, but not when it is complete.

You can also issue DB2 commands from your IMS TM application program. Issue the command call and use the /SSR command, followed by the DB2 command. IMS TM routes the command to DB2. DB2 issues a response to the command, and IMS TM routes the DB2 response to the master terminal operator (MTO).

Restrictions

The AIB must specify the I/O PCB for this call.

Any application program that uses this call must be authorized by the security administrator.

You cannot issue a CMD call from a CPI-C driven application program.

This call is not supported in an IFP or non-message-driven BMP.

Related reference

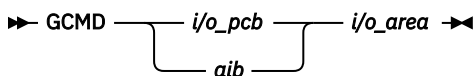
[“GCMD call” on page 88](#)

The Get Command (GCMD) call retrieves the response segments from IMS TM when your application program processes IMS commands using the CMD call.

GCMD call

The Get Command (GCMD) call retrieves the response segments from IMS TM when your application program processes IMS commands using the CMD call.

Format



Call Name	DB/DC	DBCTL	DCCTL	DB Batch	TM Batch
GCMD	X		X		

Parameters

i/o pcb

Specifies the I/O PCB, the first PCB address in the list that is passed to the program. This parameter is an input and output parameter.

aib

Specifies the application interface block (AIB) that is used for the call. This parameter is an input and output parameter.

The following fields must be initialized in the AIB:

AIBID

Eye catcher. This 8-byte field must contain DFSAIBbb.

AIBLEN

AIB lengths. This field must contain the actual length of the AIB that the application program obtained.

AIBRSNM1

Resource name. This 8-byte, left-justified field must contain the PCB name IOPCBbbb.

AIBOALEN

I/O area length. This field must contain the length of the I/O area that is specified in the call list.

i/o area

Specifies the I/O area to use for this call. This parameter is an output parameter. The I/O area must be large enough to hold the largest segment passed between the program and IMS TM.

Usage

When you issue a CMD call, IMS TM returns the first command response segment to the application program's I/O area. If you are processing commands that return more than one command response segment, use the GCMD call to retrieve the second and subsequent command response segments. IMS TM returns one command response segment to the I/O area of your application program each time the application program issues a GCMD call. The I/O area must be large enough to hold the longest message segment expected by your application program. IMS allows a maximum segment size of 132 bytes (including the 4-byte LLZZ field).

The CMD and GCMD calls are typically used to perform functions that are usually performed by someone at a terminal. These programs are called automated operator (AO) applications.

PCB status codes indicate the results of a GCMD call. The status codes are similar to those that result from a message GN call. A QD status indicates that there are no more segments in the response. A QE status indicates that a GCMD call was issued after a CMD call that did not produce response segments. A blank status ('bb') indicates that a segment was retrieved successfully.

Restrictions

The AIB must specify the I/O PCB for this call.

Any AO application that uses this call must be authorized by the security administrator.

You cannot issue a GCMD call from a CPI-C driven application program.

This call is not supported in an IFP, or non-message driven BMP.

Related reference

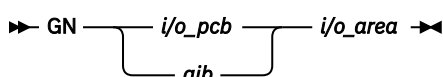
"CMD call" on page 87

The Command (CMD) call enables an application program to issue IMS commands.

GN call

If an input message contains more than one segment, a Get Unique (GU) call retrieves the first segment of the message and Get Next (GN) calls retrieve the remaining segments.

Format



Call Name	DB/DC	DBCTL	DCCTL	DB Batch	TM Batch
GN	X		X		

Parameters

i/o pcb

Specifies the I/O PCB, the first PCB address in the list that is passed to the program. This parameter is an input and output parameter.

aib

Specifies the application interface block (AIB) that is used for the call. This parameter is an input and output parameter.

The following fields must be initialized in the AIB:

AIBID

Eye catcher. This 8-byte field must contain DFSAIBbb.

AIBLEN

AIB lengths. This field must contain the actual length of the AIB that the application program obtained.

AIBRSNM1

Resource name. This 8-byte, left-justified field must contain the PCB name IOPCBbbb.

AIBOALEN

I/O area length. This field must contain the length of the I/O area that is specified in the call list.

i/o area

Specifies the I/O area to use for this call. This parameter is an output parameter. The I/O area must be large enough to hold the largest segment passed between the program and IMS TM.

Usage

If you are processing messages that contain more than one segment, you use the GN call to retrieve the second and subsequent segments of the message. IMS TM returns one message segment to the I/O area of your application program each time the application program issues a GN call.

You can issue a GN call from a BMP program.

Restrictions

The AIB must specify the I/O PCB for this call.

You cannot issue a GN call from a CPI-C driven application program.

Related reference

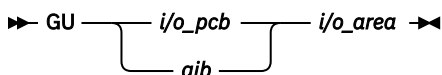
[“GU call” on page 90](#)

The Get Unique (GU) call retrieves the first segment of a message.

GU call

The Get Unique (GU) call retrieves the first segment of a message.

Format



Call Name	DB/DC	DBCTL	DCCTL	DB Batch	TM Batch
GU	X		X		

Parameters

i/o pcb

Specifies the I/O PCB, the first PCB address in the list that is passed to the program. This parameter is an input and output parameter.

aib

Specifies the application interface block (AIB) that is used for the call. This parameter is an input and output parameter.

The following fields must be initialized in the AIB:

AIBID

Eye catcher. This 8-byte field must contain DFSAIBbb.

AIBLEN

AIB lengths. This field must contain the actual length of the AIB that the application program obtained.

AIBRSNM1

Resource name. This 8-byte, left-justified field must contain the PCB name IOPCBbbb.

AIBOALEN

I/O area length. This field must contain the length of the I/O area that is specified in the call list.

i/o area

Specifies the I/O area to use for this call. This parameter is an output parameter. The I/O area must be large enough to hold the largest segment passed between the program and IMS TM.

Usage

An MPP or message-driven BMP uses two calls to retrieve input message from the host: GN and GU. A GU call retrieves the first segment of a message. The Get Next (GN) call retrieves subsequent segments.

When you issue a successful GU or GN, IMS TM returns the message segment to the I/O area that you specify in the call. Message segments are not all the same length. Because the segment length varies, your I/O area must be long enough to hold the longest segment that your program can receive. The first two bytes of the segment contain the length of the segment.

Your application program must issue a GU call to the message queue before issuing other DL/I calls. When IMS TM schedules an MPP, the Transaction Manager transfers the first segment of the first message to the message processing region. When the MPP issues the GU for the first message, IMS TM already has the message waiting. If the application program does not issue a GU message call as the first call of the program, IMS TM has to transfer the message again, and the efficiency provided by message priming is lost.

If an MPP responds to more than one transaction code, the MPP has to examine the text of the input message to determine what processing the message requires.

After a successful GU call, IMS TM places the following information in the I/O PCB mask:

- The name of the logical terminal that sent the message.
- The status code for this call. (See the topic "I/O PCB mask" in *IMS Version 15.5 Application Programming*)
- The input prefix, giving the date, time, and sequence number of the message at the time it was first queued. IMS returns both an 8-byte local date containing a 2-digit year and a 12-byte time stamp (local or UTC time) containing a 4-digit year.
- The MOD name (if you are using MFS).
- The user ID of the person at the terminal, or if user IDs are not used in the system, the logical terminal name. If the message is from a BMP, IMS TM places the PSB name of the BMP in this field.
- Group name, used by DB2 to provide security for SQL calls.

Related reading: For more information on the format of the I/O PCB mask, see the topic "Specifying the I/O PCB Mask" in *IMS Version 15.5 Application Programming*.

AIBOAUSE

A 4-byte field that, when an ICAL is issued, contains the length of the output response area that is specified in the call list.

When a response to an ICAL call is received, IMS updates the field to contain the length of the response message that is returned in the response area. If only partial data is returned because the response area is not large enough, AIBOAUSE contains the length of the data that is returned in the response area, and AIBOALEN contains the total length of the response message.

AIBOPLN

A 4-byte field that, when an ICAL call is issued, contains the total length of the control data area that is specified in the call list. This parameter is ignored if control area is not specified on the ICAL call. The control area can consist of 1 to many control data items. The total length of the control data area cannot be larger than 8,160,000.

AIBREASN

AIB reason code.

AIBRETRN

AIB return code.

AIBRSFLD

The time to wait for the synchronous call process to complete. When the timeout value is reached, the IMS application that issues the synchronous callout request receives a return code of X'0100' and a reason code of X'0104'. The message is discarded.

This 4-byte parameter contains a time value in 100th of a second. The valid range is 0–999999. The system default is 10 seconds.

- If the specified value is larger than the maximum value, the maximum value is used.
- If the value is set to 0, the timeout value that is specified in the **SYNTIMER** parameter of the OTMA descriptor is used. If there is no timeout value in the OTMA descriptor, the system default is used for the timeout.

Both this parameter and the **SYNTIMER** parameter in the OTMA destination description can be used to specify the timeout value for a synchronous callout process. However, if the timeout value specified by the **SYNTIMER** parameter differs from the timeout value specified by this parameter, OTMA uses the smaller value.

For more information about the usage of the **SYNTIMER** parameter, see [OTMA destination descriptor syntax and parameters \(System Definition\)](#)

AIBRSNM1

OTMA descriptor name. This 8-byte, alphanumeric, left-aligned field must contain the name of the OTMA descriptor that defines the destination of the IMS call.

AIBRSNM2

This 8-byte, alphanumeric, left-aligned field contains the logical terminal name used to override the LTERM name in the I/O PCB of the IMS application program for the target transaction of an ICAL call for synchronous program switch. The name specified in the AIB is used instead of any name specified in the OTMA destination descriptor. However, if no name is specified in AIBRSNM2, the name from the OTMA descriptor is used. If no name is found in the descriptor or in the AIB, the IMS application terminal symbolic (PSTSYMBO) is used as the default logical terminal name for the target transaction.

AIBSFUNC

Subfunction code. This field must contain an 8-byte subfunction code. The valid subfunction codes are:

SENDRECV

The IMS application program uses this subfunction to send a message and wait for the response. This subfunction is used for synchronous program-to-program communication.

RECEIVE

The IMS application program uses this subfunction to retrieve the complete response data from a previous incomplete ICAL call. If a SENDRECV subfunction call completes with AIB return code X'0100' and reason code X'000C', the response data did not fit in the response area. The application program can expand the response area and then retrieve the complete response with the RECEIVE subfunction call.

AIBUTKN

Map name. If specified, this 1- to 8-byte alphanumeric, left-justified field contains the 1- to 8-character map name used for message formatting or service identification purpose. This map name is included in the OTMA state data prefix sent to the destination for callout.

request_area

Specifies the request area to use for this call. This parameter is an input parameter.

This request area contains the request message data that is sent from the IMS application program to the application that is specified in the OTMA descriptor. The AIBOALEN field specifies the length of the request message data. Because the ICAL call bypasses the IMS TM message queue, the format of the request area does not require the LLZZ fields.

If the OTMA descriptor specifies that the request message must be routed to another IMS application program (TYPE=IMSTRAN), the LLZZ fields and transaction code must be specified in the first 8 bytes of the data area that follows the LLZZ. For transactions specified with MULTSEG, the request data must include the entire multi-segment message. The standard IMS LLZZ format is required for each segment, but the transaction code is only required for the first segment.

LL

Specifies the length of the segment.

ZZ

Sets the segment to binary zeros.

response_area

Specifies the response area to use for this call. This parameter is an output parameter.

If the response area is not large enough to contain all of the returned data, IMS returns partial data. When partial data is returned, the AIBOAUSE field contains the length of the returned data in the response area, and AIBOALEN contains the actual length of the response message.

Because an ICAL call for synchronous callout bypasses the IMS TM message queue, the format of the response area does not require the LLZZ fields. However, ICAL calls for synchronous program switch to another IMS application do require the LLZZ fields. The LLZZ fields for a synchronous program switch are populated by the output from the target IMS application. Synchronous program switch requests do not bypass the message queue.

If the original request message was routed to another IMS application program, the response data follows the standard LLZZ format for each segment in the response message.

control_data_area

Specifies the control area to use for this call. This parameter is an optional input parameter. This control area is sent from the IMS application program to the target client application that is specified in the OTMA descriptor. The AIBOPLLEN field must specify the length of the control data. The ICAL control data can consist of 1 to many control data items so that a number of services and operations can be specified on the same ICAL call.

Each control data item starts with a 4-byte length field, which is followed by a tag, data, and the end tag. Tags can be of any length. The beginning tag consists of a less than sign (<), a tag name, and a greater than sign (>). The ending tag consists of a less than sign (<), a slash (/), and the tag name that matches the beginning tag name, and a greater than sign (>). You must specify a less than sign (<) and a greater than sign prefixed by a slash (/>) in EBCDIC. The tag name and data contents are treated as binary and passed "as is" to the target client.

The format of a control data item in the ICAL control data is as follows:

```
LLLL | <tag> | data ... | </tag>
```

There might be IBM-initiated control data items, which start with DFS in the tag. The DFS prefix is restricted to IBM-specified control data items.

For SOAP Gateway messages, you can specify a converter name in the control data by using the tags `<DFSCNVTR>CONVERTER_NAME</DFSCNVTR>`. The converter name and the tags must be in uppercase EBCDIC. If a converter name is specified, it overrides the name of the converter that IMS Connect would have used to process the message.

The following table contains the IBM-initiated control data tag names and their descriptions:

Table 31. IBM-initiated control data tags

Begin tag	Data	End tag	Description
<DFSCNVTR>	Converter name	</DFSCNVTR>	Specifies the name of the converter that IMS Connect will use to process the message.

Usage: SENDRECV subfunction

An ICAL call is used in an IMS application program for synchronous callout that does not use the IMS message queue. Because the IMS message queue is not used, synchronous callout messages are not constrained to the 32 KB message segment restriction.

However, An ICAL call that is used in an IMS application program for synchronous program switch processing to an IMS transaction does use the IMS message queue. The 32 KB message limit applies to synchronous program switch requests.

Before you run the IMS application that issues this call:

- The OTMA descriptor for the outbound destination routing information must be already defined.
- If the ICAL request is for synchronous callout, the external application or server that the IMS application is calling out to must be configured to listen for callout messages with the IMS OTMA RESUME TPIPE function. If the RESUME TPIPE is not set up before the ICAL call times out, a timeout error is returned to the IMS application.
- If the ICAL request is for synchronous program switch, the target is an IMS transaction that is defined with the TRANSACT macro or the equivalent type-2 commands **CREATE TRAN** and **UPDATE TRAN**. The transaction must be started.
- For a synchronous program switch request in a shared queues environment, all of the IMS systems in the same shared queues group must have a MINVERS value of 13.1.

When the synchronous callout timeout value is specified in both the OTMA destination descriptor and the DL/I ICAL call, IMS uses the lower value of the two.

For a synchronous program switch, the target transaction can be in the same IMS system, in an IMS that is accessible through shared queues, or in a remote IMS that is accessible with MSC. The synchronous program switch request is queued as an OTMA transaction, but OTMA is not required.

The target application of a synchronous program switch can issue an additional synchronous program switch request before returning to the original application program. You can chain together any number of synchronous program switch requests. However, consider the timeout value for each ICAL call when making nested synchronous program switch requests. Also, there must be an IMS dependent region available for each of the target transactions to be scheduled. Lastly, consider that a multi-switch program flow can hold database locks until the entire sequence of switches is resolved. Two or more applications in the same synchronous program switch chain can encounter database locking contention with each other.

If the ICAL call for a synchronous program switch request times out, or if more than one response is returned after the first one, IMS treats further responses as late messages. The default response to a late message is to dequeue it. If you want to retain late messages, you can configure a tpipe in the OTMA destination descriptor for request to hold the late responses, or you can code a DFSMSCEO exit routine to reroute them.

Synchronous program switch requests made from Fast Path regions do not support late response messages. Any late response message is discarded, including subsequent redundant responses.

If a late response message for a synchronous program switch request is routed to an OTMA client, but the original request was not initiated from an OTMA client, you must use the DFSYIOE0 exit routine to re-build the default 1 KB OTMA message user data prefix for the response message.

If the destination descriptor for a synchronous program switch request is configured to queue late messages to a tpipe or reroute them with a DFSMSCEO user exit routine, OTMA transaction expiration checking at the application GU time is disabled for the message.

Depending on the transaction security specifications (TRN=Y), the IMS region that is running the application that issues an ICAL request calls RACF and the DFSCTRNO user exit to determine if the user is authorized to issue the ICAL call. For APPC or OTMA transactions, additional security specifications are checked. If the security level for APPC or OTMA is set to NONE, then RACF and the DFSCTRNO user exit are not called even if TRN=Y is specified.

For a synchronous program switch request, IMS schedules the transaction as an OTMA transaction. The OTMA security configuration (NONE, CHECK, FULL, or PROFILE) is used even if OTMA is not active. The default security setting is FULL, which is also used if OTMA is not enabled for the IMS system.

You can change the synchronous program switch security configuration with by issuing the following command:

```
/SECURE OTMA TMEMBER DFSYICAL value
```

DFSYICAL is the dedicated synchronous program switch processing TMEMBER. It is not used for other types of requests. Replace *value* with NONE, CHECK, FULL, or PROFILE as appropriate.

When OTMA security is set to FULL for DFSYICAL, IMS always creates an ACEE in the dependent region when it is scheduled. IMS uses this ACEE if security checks are necessary.

When OTMA security is set to CHECK for DFSYICAL, IMS does not create an ACEE at scheduling time. IMS creates an ACEE in the control region if security checks are necessary.

When OTMA security is to set to NONE for DFSYICAL, no security check is performed.

Usage: RECEIVE subfunction

When a SENDRECV subfunction call returns too much data to fit in the allocated response buffer (AIB return code X'0100' and reason code X'000C'), the value of the AIBOLEN field is updated with the length of the complete response message. Expand the size of the response area and then issue an ICAL call with the RECEIVE subfunction code to retrieve the complete response message.

The complete response data for the original ICAL call is held in the IMS control region until one of the following events occurs:

- The application issues a new ICAL call with the SENDRECV subfunction code is issued
- The IMS application reaches a sync point or terminates abnormally
- The IMS application issues a ROLB or CHECKPOINT call

Restrictions

ICAL calls for external callout have the following restrictions:

- Coordinated two-phase commit between the IMS application program and the external application program is not supported.

- An ICAL call cannot be issued from IMS in a shared-queues environment that is not connected to IMS Connect.

Synchronous program switch requests have the following restrictions:

- The OTMA Input/Output Edit exit routine (DFSYIOE0) is not called for a synchronous program switch request or response message.
- The TM and MSC Message Routing and Control exit routine (DFSMSCE0) is not called for a synchronous program switch request.
- The target transaction is not part of the RRS commit scope of the initiating application program.
- BMP and JBP applications cannot make synchronous program switch requests in a DBCTL environment.
- The target transaction has read-only access to Fast Path MSDBs.
- The target transaction cannot be an IMS conversational transaction.
- All of the participating IMS systems in a shared queues environment must have a DBRC MINVERS value of 13.1 or greater.

Return codes and reason codes

The following table lists the return codes and reason codes for the ICAL call.

Table 32. Return codes and reason codes for the ICAL call

Return code	Reason code	Extended reason code	Description
X'0000'	X'0000'	X'0000'	Call was completed successfully. Proceed.
X'0100'	X'000C'	X'0000'	Partial output response data was returned. Issue a new ICAL call with the RECEIVE subfunction code and an expanded response data area to retrieve the complete response message.
X'0100'	X'000C'	X'000D'	An IMS informational or error message was returned in response to a synchronous program switch request.
X'0100'	X'0100'	The default value is 0. If the value is non-zero, it is set by the external application.	Error message was returned in the output response data.
X'0100'	X'0100'	X'000D'	The synchronous program switch request was returned with an IMS message.
X'0100'	X'0100'	X'0004'	An IMS informational or error message was returned in response to a synchronous program switch request.
X'0100'	X'0104'	X'0004'	The request timed out. The ICAL was not sent to the external application.

Table 32. Return codes and reason codes for the ICAL call (continued)

Return code	Reason code	Extended reason code	Description
X'0100'	X'0104'	X'0008'	The request timed out. The ICAL was sent, but the ACK was not received.
X'0100'	X'0104'	X'000C'	The request timed out. The ICAL was sent, but the response was not received.
X'0100'	X0104'	X'0010'	The request timed out. The ICAL was sent, but IMS failed to process the response.
X'0100'	X'0104'	X'0020'	The request timed out. The ICAL request for synchronous program switch was sent, but no response was received.
X'0100'	X'0108'	The default value is 0. If the value is non-zero, it is set by the external application.	Request message was rejected by the external application.
X'0100'	X'010C'	X'0000'	The synchronous call was cleared by a command (such as a /STOP or /PSTOP command).
X'0100'	X'0110'	X'0000'	The request message was rejected because the specified transaction is not supported. Either the trancode was not found or the specified transaction was an IMS conversational transaction, a CPIC transaction, or an IMS command transaction.
X'0100'	X'0110'	X'0004'	The request message was rejected because the user is not authorized to issue a synchronous program switch request.
X'0100'	X'0110'	X'0005'	The request message was rejected because the tmember that IMS uses to process synchronous program switch requests (DFSYICAL) is stopped. Issue the command /START TMEMBER DFSYICAL to resolve the problem.

Table 32. Return codes and reason codes for the ICAL call (continued)

Return code	Reason code	Extended reason code	Description
X'0100'	X'0110'	X'0006'	The request message was rejected because the tpipe that IMS uses to process synchronous program switch requests (DFSTPIPE of the OTMA tmember DFSYICAL) is stopped. Issue the command / START TMEMBER DFSYICAL TPIPE DFSTPIPE to resolve the problem.
X'0100'	X'0110'	X'000D'	The request message was rejected because IMS failed to get an internal storage YTIB to process the message.
X'0100'	X'0110'	X'000E'	The request message was rejected because IMS failed to activate DFSYTIB0 to process the message.
X'0100'	X'0110'	X'0010'	The TMEMBER or TPIPE name for late response message routing is invalid because it contains invalid characters. Check the destination descriptor.
X'0100'	X'0110'	X'0011'	The TMEMBER or TPIPE name for late response message routing is missing from the destination descriptor. If either value is specified, both must be included.
X'0100'	X'0110'	X'0012'	The TMEMBER or TPIPE name for late response message routing is incorrect. Check the destination descriptor.
X'0100'	X'0110'	X'0013'	The SMEM and SYNCTP parameters are mutually exclusive.
X'0100'	X'0110'	X'0014'	The TPIPE name for late message processing is either missing or invalid in the destination descriptor.
X'0100'	X'0110'	X'0015'	The request message was rejected because the request was made in a shared queues environment with different IMS MINVERS values. The IMS systems in the shared queues group must have the MINVERS value 13.1.

Table 32. Return codes and reason codes for the ICAL call (continued)

Return code	Reason code	Extended reason code	Description
X'0100'	X'0110'	X'0016'	The request is rejected due to OTMA global message flood condition. Too many OTMA message blocks (TIB) were allocated in the system.
X'0100'	X'0110'	X'0020'	The request message was rejected because the input data length is incorrect. The length of the segment must match the LLZZ value specified on the request. The total length of all segments in the request must match the AIBOALEN value in the AIB.
X'0100'	X'0110'	X'0030'	The request message was rejected because the transaction is currently unavailable.
X'0100'	X'0110'	X'0031'	The request message was rejected because the transaction is stopped.
X'0100'	X'0110'	X'0033'	The request message was rejected because the destination name for the program switch is an RCNT.
X'0100'	X'0110'	X'0034'	The request message was rejected because the destination name for the program switch is a CNT.
X'0100'	X'0110'	X'0035'	The request message was rejected because the destination transaction can only accept a single input segment. Multiple input segments were specified for the request.
X'0100'	X'0110'	X'0036'	The request message was rejected because an IMS queue manager encountered an insert error.
X'0100'	X'0110'	X'0037'	The request message was rejected because an IMS queue manager encountered an internal error.
X'0100'	X'0110'	X'0038'	The request message was rejected because a queue overflow was detected.

Table 32. Return codes and reason codes for the ICAL call (continued)

Return code	Reason code	Extended reason code	Description
X'0100'	X'0110'	X'0039'	The request message was rejected because IMS failed to process the Fast Path transaction.
X'0100'	X'0110'	X'003A'	The request message was rejected because IMS queue manager failed to update the message prefix.
X'0100'	X'0110'	X'003B'	The request message was rejected because IMS failed to enqueue the transaction.
X'0100'	X'0110'	X'0060'	The request message was rejected because the synchronous program switch was canceled before a reply was received.
X'0100'	X'0110'	X'0061'	The request message was rejected because the target transaction does not reply to the IOPCB and does not perform a program-to-program switch. The ICAL is rejected to avoid a timeout. This rejection occurs when the REPLYCHK descriptor is set to YES for the destination transaction. If there is an asynchronous response for the ICAL, you can set REPLYCHK to NO and this ICAL is treated as valid.
X'0100'	X'0110'	X'0070'	IMS failed to process the response message for the synchronous program switch ICAL call. The length of an output message segment was greater than the 32K limit.
X'0100'	X'0110'	X'0071'	IMS failed to process the response message for the synchronous program switch ICAL call. IMS is running out of LUMP storage space to process the response message.
X'0100'	X'0110'	X'0072'	IMS failed to process the response message for the synchronous program switch ICAL call. IMS failed to allocate storage from subpool 231, which is required to process the response message.

Table 32. Return codes and reason codes for the ICAL call (continued)

Return code	Reason code	Extended reason code	Description
X'0100'	X'0110'	X'0073'	IMS failed to retrieve the response message from the IMS message queue.
X'0104'	X'0210'	X'0000'	Input area length (AIBOALEN) is set to zero.
X'0104'	X'0214'	X'0000'	Output area length (AIBOAUSE) is set to zero.
X'0104'	X'0218'	X'0000'	Subfunction code is not known or invalid.
X'0104'	X'0610'	X'0000'	Request input area address parameter is missing
X'0104'	X'0614'	X'0000'	Response output area address parameter is missing.
X'0104'	X'1020'	X'0000'	Descriptor name is invalid.
X'0104'	X'1024'	X'0000'	Timeout value is invalid.
X'0104'	X'1028'	X'0000'	The ICAL RECEIVE call was rejected because no additional response data is available. Either the additional response data from a previous ICAL SENDRECV call was already retrieved, or a subsequent ICAL SENDRECV call cleared the response buffer.
X'0104'	X'102C'	X'0000'	Incorrect ICAL call with control data. The AIBOPLN value is zero.
X'0104'	X'102C'	X'0004'	Incorrect ICAL call with control data. Additional data area is found following control data area.
X'0104'	X'102C'	X'0008'	Incorrect ICAL call with control data. OTMA destination descriptor is not TYPE=IMSCON.
X'0104'	X'102C'	X'000C'	Incorrect ICAL call with control data. Resume TPIPE cannot receive control data (TMAMCRHQ_MODE does not have TMAMCRHQ_CTLDATA)
X'0104'	X'102C'	X'0010'	Incorrect ICAL call with control data. Control data length does not match control data items.
X'0104'	X'102C'	X'0014'	Incorrect ICAL call with control data. Control data tag error.

Table 32. Return codes and reason codes for the ICAL call (continued)

Return code	Reason code	Extended reason code	Description
X'0104'	X'102C'	X'0018'	Incorrect ICAL call with control data. The AIBOPLN value is larger than the maximum allowed length, 8,160,000.
X'0108'	X'0008'	X'0000'	IMS failed to release PSTICALO (internal storage) for the ICAL call.
X'0108'	X'0010'	X'0000'	Unable to obtain private storage. The size of the input request data might be too large.
X'0108'	X'0570'	X'0000'	The ICAL RECEIVE call was rejected because the internal buffer storage at PSTICALO is invalid.
X'0108'	X'0580'	X'0004'	Unable to send the request message to the external application. IMS is shutting down.
X'0108'	X'0580'	X'0008'	Unable to send the request message to the external application. The IMS callout function is disabled.
X'0108'	X'0580'	X'000C'	Unable to send the request message to the external application. The OTMA member was invalid or is inactive.
X'0108'	X'0580'	X'0010'	Unable to send the request message to the external application. The OTMA TPIPE was not found or is stopped.
X'0108'	X'0580'	X'0014'	Unable to send the request message to the external application. IMS failed to obtain storage to queue a request.
X'0108'	X'0580'	X'0018'	Unable to send the request message to the external application. IMS failed to obtain LUMP storage to process the message.
X'0108'	X'0580'	X'001C'	Unable to send the request message to the external application. IMS failed to contact OTMA to process the ICAL call.
X'0108'	X'0580'	X'0024'	Unable to send the request message to the external application. IMS detected that there was no RESUME TPIPE request from the client.

Table 32. Return codes and reason codes for the ICAL call (continued)

Return code	Reason code	Extended reason code	Description
X'0108'	X'0580'	X'0100'	IMS failed to obtain the required LUMP storage space to process the synchronous program switch request.
X'0108'	X'0580'	X'0104'	OTMA failed to process the synchronous program switch. See the associated X'67D0' log record.
X'0108'	X'0584'	X'0004'	Unable to process the response output message from the external application. No data in the response message.
X'0108'	X'0584'	X'0008'	Unable to process the response output message from the external application. The XCF buffer length for the response message is incorrect.
X'0108'	X'0584'	X'000C'	Unable to process the response message from the external application. IMS failed to allocate storage for the response message processing.
X'0108'	X'0584'	X'0010'	Unable to process the response message from the external application. A null segment was found in a multi-segment response message.
X'0108'	X'0588'	The default value is 0. If the value is non-zero, it is set by IMS Connect.	IMS Connect failed to process the response. No response data returned.
X'0108'	X'058C'	The default value is 0. If the value is non-zero, it is set by IMS Connect.	IMS Connect failed to process the response. Complete or partial raw data from the external client application is returned.

Related concepts

[OTMA descriptors \(Communications and Connections\)](#)

Related reference

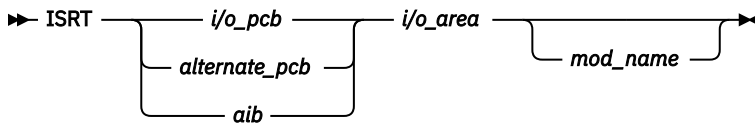
[AIB return and reason codes set by IMS \(Messages and Codes\)](#)

ISRT call

The Insert (ISRT) call sends one message segment to the destination that you specify in the call. The destination is represented by the I/O PCB, alternate PCB, or AIB you specify in the call parameters.

For Spool API functions, the ISRT call is also used to write data to the JES Spool.

Format



Call Name	DB/DC	DBCTL	DCCTL	DB Batch	TM Batch
ISRT	X		X		

Parameters

i/o pcb

Specifies the I/O PCB, the first PCB address in the list that is passed to the program. This parameter is an input and output parameter.

alternate pcb

Specifies the PCB to use for this call. These parameters are input and output parameters.

aib

Specifies the application interface block (AIB) that is used for the call. This parameter is an input and output parameter.

The following fields must be initialized in the AIB:

AIBID

Eye catcher. This 8-byte field must contain DFSAIBbb.

AIBLEN

AIB lengths. This field must contain the actual length of the AIB that the application program obtained.

AIBRSNM1

Resource name. This 8-byte, left-justified field must contain the PCB name IOPCBbbb (if the TP PCB is used), or the name of an alternate PCB (if an alternate PCB is used).

AIBOALEN

I/O area length. This field must contain the length of the I/O area that is specified in the call list.

i/o area

Specifies the I/O area to be used for the call. This parameter is an input parameter. The I/O area must be large enough to hold the largest segment passed between the application program and IMS TM.

mod name

Specifies the MOD you want used for this output message. This parameter is an input parameter.

The 8-byte MOD name must be left-justified and padded with blanks as necessary. If the terminal receiving the output does not use MFS, this parameter is ignored. If you specify a valid MOD name, IMS TM uses that MOD to format the screen for the output message you are sending.

Usage

To issue the ISRT call successfully, your application program must first build the message you want to send in the application program's I/O area. The ISRT uses the destination name in the I/O PCB or alternate PCB, and the I/O area that you specify in the call, to locate the message to be sent. The ISRT call then sends the output message from your application program to another terminal. ISRT sends one message segment per issue, so your application program must issue one ISRT call for each segment of the message in the I/O area.

You can also specify a MOD name if you want to change the screen format. For example, if the application program detects an error and must notify the person at the terminal, you can specify a MOD name that formats the screen to receive the error message. ISRT and PURG are the only DL/I calls that allow you to specify a MOD name on the first segment of an output message.

When your application program issues one or more ISRT calls, IMS TM groups the message segments to be sent in the message queue. IMS TM sends the message segments to the destination when the application program does one of the following:

- Issues a GU call to retrieve the first segment of the next message
- Reaches a commit point
- Issues a PURG call on an express alternate PCB

Your application must also use the ISRT call to issue replies to other terminals in conversational programs and to pass a conversation between application programs.

In the shared queues environment

A STATUSQF can be received on an ISRT call in a shared queues environment if the MSGQ structure is full. If the MSGQ structure is full, one of the following can happen:

- If the ISRT is for a multi-segment message, STATUSQF will be received.
- If the ISRT for a multi-segment message still completes correctly (enough space) but not enough space is found to be available at PURG or CHKP time, the application will abend with ABENDU0370.
- If the ISRT is for a single segment message, STATUSQF can be received. If the program continues to insert further messages that cause all available device relative record number (DRRN) to be exhausted, IMS will fail with ABENDU0758. If the program issues a checkpoint before exhausting all available DRRN, queue buffers will be freed and the messages will be written on the log as “unresolved UOWEs.” Logs containing the original type01 and type03 log records are needed to later insert the messages in the structure if space becomes available and must not be reused. IMS will issue message DFS1994I to remind the user at every check point time.

Spool API functions

You can use the ISRT call to write data to the JES Spool. These writes are done using BSAM and, if possible, each BSAM "write" is done directly from the application program's buffer area.

Restriction: BSAM does not support the I/O area for sysout data sets above the 16-MB line. If IMS finds an I/O area above the 16-MB line, it moves the application data to a work area below the line before it performs the BSAM write. If the I/O area is already below the line, the write is done directly from the I/O area. Do not take unusual steps to place the I/O area below the line unless performance indicates a need to do so.

When you issue the ISRT call for an alternate PCB set up for IAFFP processing, prefix the I/O area with a BSAM block descriptor word for variable length records.

LL or LLLL^{1,2}	ZZ²	II³	zz³
Halfword length of the I/O area or block, including the 4-byte length of the LLZZ fields.	Halfword of zero	Halfword length of the logical record or segment, including the 4-byte length of the llzz fields.	Halfword of zero

Notes:

1. For application programs that use the PLITDLI interface, the length field is a fullword (LLLL). However, the length of the LLLLZZ field is still considered 4 bytes.
2. LLZZ is the equivalent of the BSAM Block Descriptor Word (BDW).
3. llzz is the equivalent of the BSAM Record Descriptor Word (RDW).

Restrictions

A CPI-C driven application program can only issue the ISRT call to an alternate PCB.

If you want to send message segments before retrieving the next message or issuing a commit point, you must use the PURG call.

MOD name can be specified only once per message, on the first ISRT or PURG call that begins the message.

BSAM does not support the I/O area for sysout data above the 16 MB line.

Related reference

[Output message format and contents \(Application Programming\)](#)

[“CHNG call” on page 80](#)

The Change (CHNG) call sets the destination of a modifiable alternate PCB to the logical terminal, LU 6.2 descriptor, or transaction code that you specify. You can also use the CHNG call with the Spool Application Program Interface (Spool API) to specify print data set characteristics.

[“PURG call” on page 107](#)

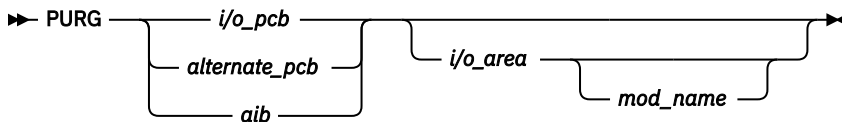
The Purge (PURG) call allows your application program to send one or more output message segments (specified with the ISRT call) to the specified destination before the application program retrieves the next input message or issues a commit point.

PURG call

The Purge (PURG) call allows your application program to send one or more output message segments (specified with the ISRT call) to the specified destination before the application program retrieves the next input message or issues a commit point.

For Spool API functions, the PURG call can also be used to release a print data set for immediate printing.

Format



Call Name	DB/DC	DBCTL	DCCTL	DB Batch	TM Batch
PURG	X		X		

Parameters

i/o pcb

Specifies the I/O PCB, the first PCB address in the list that is passed to the program. This parameter is an input and output parameter.

alternate pcb

Specifies the PCB to use for the call. These parameters are input and output parameters.

aib

Specifies the application interface block (AIB) that is used for the call. This parameter is an input and output parameter.

The following fields must be initialized in the AIB:

AIBID

Eye catcher. This 8-byte field must contain DFSAIBbb.

AIBLEN

AIB lengths. This field must contain the actual length of the AIB that the application program obtained.

AIBRSNM1

Resource name. This 8-byte, left-justified field must contain the PCB name IOPCBbbb (if the TP PCB is used), or the name of an alternate PCB (if an alternate PCB is used).

AIBOALEN

I/O area length. This field must contain the length of the I/O area that is specified in the call list.

i/o area

Specifies the I/O area to use for this call. This parameter is an input parameter. The I/O area must be large enough to hold the largest segment passed between the program and IMS TM.

mod name

Specifies the MOD you want used for this output message. This parameter is an input parameter. The 8-byte MOD name must be left justified and padded with blanks as necessary. PURG can specify the MOD name for the first message segment for an output message. If the terminal receiving the output does not use MFS, this parameter is ignored. If you specify a valid MOD name, IMS TM uses that MOD to format the screen for the output message you are sending.

Usage

Use the PURG call to send output messages to several different terminals. A PURG call tells IMS TM that the message built against the specified I/O PCB, or alternate PCB (with the ISRT call) is complete. IMS TM collects the message segments that have been inserted into one PCB as one message and sends the message to the destination specified by the destination name of the alternate PCB listed in the PURG call.

If you specify an I/O area in the PURG call parameters, PURG acts as an ISRT call to insert the first segment of the next message. When you identify the I/O area, you can also specify a MOD name to change the screen format.

In the OTMA environment

An IMS application program that issues a PURG call causes IMS to call the Open Transaction Manager Access (OTMA) Prerouting and Destination Resolution exit routines to determine the destination. For information on these exit routines, see *IMS Version 15.5 Exit Routines*.

In the shared queues environment

A STATUSQF can be received on a PURG call in a shared queues environment if the MSGQ structure is full. If the MSGQ structure is full, one of the following can happen:

- If the PURG is for a multi-segment message, STATUSQF will be received.
- If the PURG for a multi-segment message still completes correctly (enough space) but not enough space is found to be available at PURG or CHKP time, the application will abend with ABENDU0370.

Spool API functions

You can use the PURG call with an express alternate PCB to release a print data set for immediate printing. When you issue the PURG call with an I/O area, IMS treats the call as two functions: the purge request, and the insertion of data provided by the I/O area.

If you issue the PURG call:

- Against an express alternate PCB, the data set is closed, unallocated, and released for printing. The destination is reset.
- With an I/O area against a non-express alternate PCB, the purge function is ignored and the data in the insert portion of the call is put into the print data set. This means that the call behaves like an ISRT call.
- With no I/O area against an express alternate PCB, the data set is closed, unallocated, and released for printing. IMS returns a status code of blanks.
- With no I/O area against a non-express alternate PCB, no action is taken.

Restrictions

CPI-C driven application programs can only issue the PURG call to alternate PCBs.

MOD name can be specified only once per message, in the first ISRT or PURG call that begins the message. For conversational transactions, if the first ISRT is the SPA, the MOD name can either be provided on the SPA ISRT or on the first ISRT of a message segment.

This call is not supported in an IFP.

For synchronized APPC/OTMA conversations or OTMA commit-then-send (CMO) transactions with TMAMIPRG indicator set in the OTMA prefix, PURG calls on the TP PCB are ignored. The next ISRT call is processed for the next segment of the current message.

Related reference

“CHNG call” on page 80

The Change (CHNG) call sets the destination of a modifiable alternate PCB to the logical terminal, LU 6.2 descriptor, or transaction code that you specify. You can also use the CHNG call with the Spool Application Program Interface (Spool API) to specify print data set characteristics.

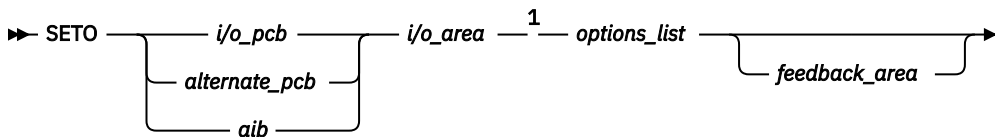
“ISRT call” on page 104

The Insert (ISRT) call sends one message segment to the destination that you specify in the call. The destination is represented by the I/O PCB, alternate PCB, or AIB you specify in the call parameters.

SETO call

The SET Options (SETO) call allows IMS application programs to set processing options. The SETO call can also be used to set processing options for Spool API functions.

Format



Notes:

¹ The I/O area parameter is not used for calls that specify APPC options.

Call Name	DB/DC	DBCTL	DCCTL	DB Batch	TM Batch
SETO	X		X		

Parameters

i/o pcb

Specifies the I/O PCB, the first PCB address in the list that is passed to the program. This parameter is an input and output parameter.

alternate pcb

Specifies the TP or alternate PCB to be used for the call. These parameters are input and output parameters.

aib

Specifies the application interface block (AIB) that is used for the call. This parameter is an input and output parameter.

The following fields must be initialized in the AIB:

AIBID

Eye catcher. This 8-byte field must contain DFSAIBbb.

AIBLEN

AIB lengths. This field must contain the actual length of the AIB that the application program obtained.

AIBRSNM1

Resource name. This 8-byte, left-justified field must contain the PCB name IOPCBbbb (if the TP PCB is used), or the name of an alternate PCB (if an alternate PCB is used).

AIBOALEN

I/O area length. This field must contain the length of the I/O area that is specified in the call list.

i/o area

Specifies the I/O area to be used for the call. This parameter is an output parameter. If you specify an options list that contains advanced print functions, you must specify an I/O area. If you use APPC options, the I/O area parameter is optional.

For advanced print function options the I/O area must be at least 4 KB. If the I/O area including the LLZZ or LLLLZZ prefix is less than 4096 bytes in length, an AJ status code is returned. Once the text units area built in the I/O area, the area must not be copied to a new area. The I/O area passed on the SETO call must contain a LLZZ or, if PL/I, a LLLLZZ prefix.

LLLL applies only to DL/I call interface.

options list

Specifies several option keywords. This input parameter is required. The options in the list are separated by commas and cannot contain embedded blanks. Processing for the options list terminates when the first blank in the list is reached or when the specified options list length has been processed. You can specify options for advanced print functions or for APPC. The options you can specify are described in "Advanced print function options" and "APPC options".

The format for the *options list* is as follows:

LL or LLLL^{1,2}	ZZ	keyword=variable1
Halfword length of the options string, including the 4-byte length of LLZZ or LLLLZZ.	Halfword of zero.	SETO options separated by commas.

Note:

1. For application programs that use the PLITDLI interface, the length field is a fullword (LLLL). However, the length of the LLLLZZ field is still considered 4 bytes.
2. If the length field is set to zero, the options list is ignored. IMS TM processes the SETO call as if the *options list* parameter was not specified.

feedback area

Specifies an optional parameter used to return error information about the options list to the application program. This parameter is an output parameter. The amount of information that the application program receives is based on the size of the feedback area. If no feedback area is specified, the status code returned is the only indication of an options list area. If you specify a feedback area 1½ to 2 times the size of the specified options list (a minimum of eight words), IMS TM returns more specific information about errors in the options list.

The format for the *feedback area* passed to IMS TM in the call list is as follows:

LL or LLLL^{1,2}	ZZ
Halfword length of the feedback area, including the 4-byte length of the LLZZ fields.	Halfword of zero.

Note:

1. For application programs that use the PLITDLI interface, the length field is a fullword (LLLL). However, the length of the LLLLZZ field is still considered four bytes.
2. If the length field is set to zero, the feedback area is ignored. IMS TM processes the SETO call as if the *feedback area* parameter was not specified.

The output format returned to the application program from IMS TM for the feedback area is as follows:

LLZZ or LLLLZZ	LL	feedback area
The length field as specified in the input format for the feedback area.	Halfword length of the feedback data returned by IMS TM, including the 2-byte LL field.	Data returned by IMS TM. The feedback data generally includes the option keyword found to be in error and a 4-byte EBCDIC code in parentheses that indicates the reason for the error. Multiple errors are separated by commas.

Usage

The SET0 call allows you to set processing options.

You can use the SET0 call to reduce the overhead necessary to perform parsing and text construction of the OUTPUT descriptors for a data set. If your application program can use a set of descriptors more than once during an installation, the application can use the SET0 call to provide print data set characteristics to the Spool API. When the SET0 call is processed, it parses the OUTPUT options and constructs the dynamic OUTPUT text units in the work area provided by the application. After the application has received the prebuilt text units, you can use the CHNG call and TXTU= option to provide the print characteristics for the data set without incurring the overhead of parsing and text unit build.

It is not necessary to use the SET0 call to prebuild the text units if they can be prebuilt with another programming technique.

Related reading: For more information about Spool API, see *IMS Version 15.5 Application Programming*.

In the OTMA environment

An IMS application program that issues a SET0 call does not cause IMS to call the Open Transaction Manager Access (OTMA) Prerouting and Destination Resolution exit routines to determine the destination. For information on these exit routines, see *IMS Version 15.5 Exit Routines*.

Existing IMS application programs that issue SET0 calls might not run as expected because a return code is returned to the program if it is processing an OTMA-originated transaction. Also, APPC/IMS application programs that issue SET0 calls might not need modification if they require implicit OTMA support.

A solution to this problem is to use an INQY call before issuing the SET0 call. The application program can use the output from the INQY call to determine if a transaction is an OTMA-originated one, to bypass the SET0 call.

Advanced print function options

The PRTO= keyword identifies the SET0 call as a Spool API request:

Keyword

Description

PRTO=outdes options

Describes the data set processing options as they are specified on the TSO OUTDES statement. The format for the PRTO keyword is as follows:

LL	outdes options
Halfword length of the total OUTDES printer options, including the 2-byte length of LL .	Any valid combination of OUTDES printer options, separated by commas.

Note: For information about TSO OUTDES options, see *z/OS MVS Programming: Authorized Assembler Services Reference*. Some options depend on the release level of MVS.

If z/OS detects an error in the OUTDES printer options, an AS status code is returned to the application program.

APPC options

The following options are available for the SETO call:

SEND_ERROR

causes the IMS LU Manager to issue SEND_ERROR on the conversation associated with the I/O or alternate PCB when a message is sent. Messages for express PCBs are sent during the PURG call or sync point processing, whichever comes first. Messages for nonexpress PCBs are sent during sync point processing.

This option is only used by LU 6.2 devices, and it is ignored if specified for a non-LU 6.2 device.

The option is mutually exclusive with the DEALLOCATE_ABEND option. If both options are coded in the options list, an AR status code is returned to the application.

DEALLOCATE_ABEND

deallocates a conversation by issuing a SEND_ERROR followed by a DEALLOCATE_ABEND at the time the message is sent. Once a SETO call with the DEALLOCATE_ABEND option is issued, any subsequent ISRT calls made to the PCB are rejected with a QH status code.

This option is applicable only to LU 6.2 devices. If specified for a non-LU 6.2 device, any subsequent ISRT calls made to the PCB are rejected with a QH status code.

When the SETO call is issued on a TP PCB in an IFP region, the DEALLOCATE_ABEND option is not valid. If you attempt to use the option under these conditions, an AD status code is returned to the application.

The option is mutually exclusive with the SEND_ERROR option. If both options are coded in the options list, an AR status code is returned to the application.

Related reading: For more information about APPC and LU 6.2, see *IMS Version 15.5 Communications and Connections*.

Options list feedback area

When errors are encountered in the options list, the options list feedback area is used to return error information to the application.

IMS attempts to parse the entire options list and return information on as many errors as possible. If the feedback area is not large enough to contain all the error information, only as much information is returned as space permits. The status code is the only indication of an option list error if you do not specify the area.

The feedback area must be initialized by the application with a length field indicating the length of the area. A feedback area approximately 1½ to 2 times the length of the options list or a minimum of 8 words should be sufficient.

Error codes

This section contains information on error codes that your application can receive.

Error Code

Reason

(0002)

Unrecognized option keyword.

Possible reasons for this error are:

- The keyword is misspelled.
- The keyword is spelled correctly but is followed by an invalid delimiter.
- The length specified field representing the PRTO is shorter than the actual length of the options.
- A keyword is not valid for the indicated call.

(0004)

Either too few or too many characters were specified in the option variable. An option variable following a keyword in the options list for the call is not within the length limits for the option.

(0006)

The length field (LL) in the option variable is too large to be contained in the options list. The options list length field (LL) indicates that the options list ends before the end of the specified option variable.

(0008)

The option variable contains an invalid character or does not begin with an alphabetic character.

(000A)

A required option keyword was not specified.

Possible reasons for this error are:

- One or more additional keywords are required because one or more keywords were specified in the options list.
- The specified length of the options list is more than zero but the list does not contain any options.

(000C)

The specified combination of option keywords is invalid. Possible causes for this error are:

- The keyword is not allowed because of other keywords specified in the options list.
- The option keyword is specified more than once.

(000E)

IMS found an error in one or more operands while it was parsing the print data set descriptors. IMS usually uses z/OS services (SJF) to validate the print descriptors (PRTO= option variable). When IMS calls SJF, it requests the same validation as for the TSO OUTDES command. Therefore, IMS is insensitive to changes in output descriptors. Valid descriptors for your system are a function of the MVS release level. For a list of valid descriptors and proper syntax, use the TSO HELP OUTDES command.

IMS must first establish that the format of the PRTO options is in a format that allows the use of SJF services. If it is not, IMS returns the status code **AS**, the error code (000E), and a descriptive error message. If the error is detected during the SJF process, the error message from SJF will include information of the form (R.C.=xxxx,REAS.=yyyyyyyy), and an error message indicating the error.

The range of some variables is controlled by the initialization parameters. Values for the maximum number of copies, allowable remote destination, classes, and form names are examples of variables influenced by the initialization parameters.

Restrictions

A CPI-C driven application program can issue SETO calls only to an alternate PCB.

Related reference

[“REXXTDLI calls” on page 351](#)

The following information describes usage considerations for REXXTDLI calls.

DL/I calls for IMS TM system services

Use these DL/I calls with IMS Transaction Manager system services.

The calls are listed in alphabetical order. Each call description contains:

- A syntax diagram
- A definition for each parameter that can be used in the call
- Details on how to use the call in your application program
- Restrictions on the use of the call

Each parameter is described as an input or output parameter. "Input" refers to input to IMS from the application program. "Output" refers to output from IMS to the application program.

System service calls must refer only to TP PCBs. The system service calls are described only as they pertain to IMS TM functions.

Syntax diagrams for these calls begin with the *function* parameter. The call, the call interface, (xxxTDLI), and *parmcount* (if it is required) are not included in the following syntax diagrams. See specific information for assembler language, COBOL, Pascal, and PL/I in the topic "Defining Application Program Elements" in *IMS Version 15.5 Application Programming* for the complete structure.

System Service Call Summary

The following table is a summary of which system service calls you can use in each type of IMS TM application program, and the parameters for each call. The following table lists the function code, its meaning, use, parameters, and in which regions it is valid. Optional parameters are shown in brackets ([]).

System service calls issued in a DCCTL environment must refer only to I/O PCBs or GSAM database PCBs. Calls that cannot be used in a DCCTL environment are noted.

Language-dependent parameters are not shown here. For language-specific information, see the topic "Formatting DL/I Calls for Language Interfaces" in *IMS Version 15.5 Application Programming*.

For information on writing calls with programming language interfaces see the topic "Defining Application Program Elements" in *IMS Version 15.5 Application Programming*.

Table 33. Summary of system service calls

Function Code	Meaning and Use	Options	Parameters	Valid for
APSB	Allocate PSB. Allocates a PSB for use in CPI-C driven application programs.	None	function, aib	MPP
CHKP (Basic)	Basic checkpoint. For recovery purposes.	None	function, i/o pcb or aib, i/o area	batch, BMP, MPP
CHKP (Symbolic)	Symbolic checkpoint. For recovery purposes.	Can specify seven program areas to be saved.	function, i/o pcb or aib, i/o area length, i/o area[, area length, area]	batch, BMP
DPSB	Deallocate PSB. Frees a PSB in use by a CPI-C driven application program.	None	function, aib	MPP
GMSG	Retrieve a message from the AO exit routine.	Can wait for an AOI message when none is available.	function, aib, i/o area	DB/DC and DCCTL(BMP, MPP, IFP), DB/DC and DBCTL(DRA thread), DBCTL(BMP non-message driven)
GSCD ¹	Get the address of the system contents directory.	None	function, i/o pcb or aib, i/o area	batch

Table 33. Summary of system service calls (continued)

Function Code	Meaning and Use	Options	Parameters	Valid for
ICMD	Issue an IMS command and retrieve the first command response segment.	None	function, aib, i/o area	DB/DC and DCCTL(BMP, MPP, IFP), DB/DC and DBCTL(DRA thread), DBCTL(BMP non-message driven)
INIT	Application receives data availability status codes.	Checks each PCB for data availability.	function, i/o pcb or aib, i/o area	batch, BMP, MPP, IFP
INQY	Inquiry. Retrieves information about output destinations, session status, execution environment, and the PCB address.	None	function, aib, i/o area	batch, BMP, MPP, IFP
LOGb	Log. Write a message to the system log.	None	function, i/o pcb or aib, i/o area	batch, BMP, MPP, IFP
RCMD	Retrieve the second and subsequent command response segments resulting from an ICMD call.	None	function, aib, i/o area	DB/DC and DCCTL(BMP, MPP, IFP), DB/DC and DBCTL(DRA thread), DBCTL(BMP non-message driven)
ROLB	Rollback. Backs out messages sent by the application program.	Call returns last message to i/o area.	function, i/o pcb or aib[, i/o area]	batch, BMP, MPP, IFP
ROLL	Roll. Backs out output messages and terminates the conversation.	None	function	batch, BMP, MPP
ROLS	Returns message queue positions to sync points set by the SETS or SETU call.	Issues call with i/o PCB or aib	function, i/o pcb or aib i/o area, token	batch, BMP, MPP, IFP
SETS	Sets intermediate sync (backout) points.	Cancel all existing backout points. Can establish up to 9 backout points.	function, i/o pcb or aib, i/o area, token	batch, BMP, MPP, IFP
SETU	Sets intermediate sync (backout) points.	Cancel all existing backout points. Can establish up to 9 backout points.	function, i/o pcb or aib, i/o area, token	batch, BMP, MPP, IFP
SYNC	Synchronization	Request commit point processing.	function, i/o pcb or aib	BMP

Table 33. Summary of system service calls (continued)

Function Code	Meaning and Use	Options	Parameters	Valid for
XRST	Restart. Works with symbolic CHKP to restart application program failure.	Can specify up to 7 areas to be saved.	function, i/o pcb or aib, i/o area length, i/o area[, area length, area]	batch, BMP

Note:

1. GSCD is a Product-sensitive Programming Interface.

Related reading: DCCTL users can issue calls using GSAM database PCBs. GSAM databases are described in *IMS Version 15.5 Application Programming*.

Related reference

[“DL/I calls for IMS DB system services” on page 30](#)

Use these DL/I calls to obtain IMS DB system services.

[“DL/I calls for database management” on page 1](#)

Use these DL/I calls with IMS DB to perform database management functions in your application program.

[“EXEC DLI commands” on page 153](#)

The EXEC DLI commands are the only commands that are allowed for EXEC DLI. These commands can be used to read and update DL/I databases with a batch program, a BMP region (running DBCTL or DB/DC), or a CICS program using DBCTL.

APSB call

The Allocate PSB (APSB) call is used to allocate a PSB for a CPI Communications driven application program. These types of application programs are used for conversations that include LU 6.2 devices.

Format

➤ APSB — aib ➤

Call Name	DB/DC	DBCTL	DCCTL	DB Batch	TM Batch
APSB	X		X		

Parameters

aib

Specifies the application interface block (AIB) that is used for the call. This parameter is an input and output parameter.

The following fields must be initialized in the AIB:

AIBID

Eye catcher. This 8-byte field must contain DFSAIBbb.

AIBLEN

AIB lengths. This field must contain the actual length of the AIB that the application program obtained.

AIBRSNM1

Resource name. This 8-byte, left-justified field must contain the PSB name.

Usage

CPI-C driven application programs must be link edited with the IMS language interface module and must indicate the PSB to be used before the application program can issue DL/I calls. The APSB call uses the AIB to allocate a PSB for these types of application programs.

When you issue the APSB call, IMS TM returns a list of PCB addresses contained in the specified PSB to the application program. The PCB list is returned in the AIBRSA1 field in the AIB.

IMS TM allows the APSB call to complete even if the databases that the PSB points to are not available. You can issue the INIT call to inform IMS TM of the application program's capabilities to accept additional status codes regarding data availability.

Related reading: For more information on CPI Communications driven application programs, see *IMS Version 15.5 Communications and Connections*.

Restrictions

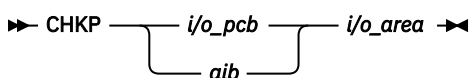
An application program that uses APSB can allocate only one PSB at a time. If your application requires more than one PSB, you must first release the PSB in use by issuing the deallocate PSB (DPSB) call.

CPI Communications driven application programs must issue the APSB call before issuing any other DL/I calls. If your application program attempts to issue DL/I calls before a PSB has been allocated with the APSB call, the application program receives error return and reason codes in the AIB.

CHKP (basic) call

A basic Checkpoint (CHKP) call is used for recovery purposes.

Format



Call Name	DB/DC	DBCTL	DCCTL	DB Batch	TM Batch
CHKP	X	X	X	X	X

Parameters

i/o pcb

Specifies the I/O PCB, the first PCB address in the list passed to the program, to use for this call. It is an input and output parameter.

aib

Specifies the application interface block (AIB) that is used for the call. This parameter is an input and output parameter.

The following fields must be initialized in the AIB:

AIBID

Eye catcher. This 8-byte field must contain DFSAIBbb.

AIBLEN

AIB lengths. This field must contain the actual length of the AIB that the application program obtained.

AIBRSNM1

Resource name. This 8-byte, left-justified field must contain the PCB name IOPCBbbb.

AIBOALEN

I/O area length. This field must contain the length of the I/O area that is specified in the call list.

i/o area

Specifies the I/O area to use for the call. This parameter is an input and output parameter. For the CHKP call, the I/O area that contains the 8-character checkpoint ID. If the program is an MPP or a message-driven BMP, the CHKP call implicitly returns the next input message into this I/O area. Therefore, the area must be long enough to hold the longest message that can be returned.

Usage

In transaction management application programs, the basic CHKP call can be used to retrieve the conversational SPA or the initial message segment that was queued before the application was scheduled. The CHKP call commits all changes made by the program and, if your application program abends, establishes the point at which the program can be restarted.

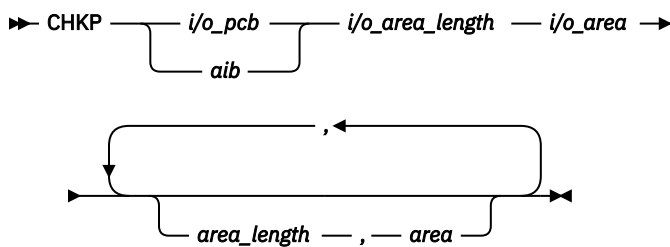
Restrictions

CPI Communications driven application programs cannot issue a basic CHKP call.

CHKP (symbolic) call

A symbolic Checkpoint (CHKP) call is used for recovery purposes.

Format



Call Name	DB/DC	DBCTL	DCCTL	DB Batch	TM Batch
CHKP	X	X	X	X	X

Parameters

i/o pcb

Specifies the I/O PCB to use for the call, the first PCB address in the list passed to the program, to use for this call. This parameter is an input and output parameter.

aib

Specifies the application interface block (AIB) that is used for the call. This parameter is an input and output parameter.

The following fields must be initialized in the AIB:

AIBID

Eye catcher. This 8-byte field must contain DFSAIBbb.

AIBLEN

AIB lengths. This field must contain the actual length of the AIB that the application program obtained.

AIBRSNM1

Resource name. This 8-byte, left-justified field must contain the PCB name IOPCBbbb.

AIBOALEN

I/O area length. This field must contain the length of the I/O area that is specified in the call list.

i/o area length

Is no longer used by IMS. For compatibility reasons, this parameter must still be included in the call, and it must contain a valid address. You can get a valid address by specifying the name of any area in your program.

i/o area

Specifies the I/O area to be used for your call. This parameter is an input and output parameter. For the CHKP call, the I/O area contains the 8-character checkpoint ID. If the program is a message-driven BMP, the CHKP call implicitly returns the next input message into this I/O area. Therefore, the area must be long enough to hold the longest message that can be returned.

area length

Specifies a 4-byte field in your program that contains the length in binary of the first area to checkpoint. This parameter is an input parameter. Up to seven area lengths can be specified. For each area length, you must also specify an area parameter.

area

Specifies the area in your program that you want IMS to checkpoint. This parameter is an input parameter. You can specify up to seven areas in your program that you want IMS to checkpoint. Always specify the area length parameter first, followed by the area parameter. The number of areas you specify on a XRST call must be less than or equal to the number of areas you specify on the CHKP calls the program issues. When you restart the program, IMS restores only the areas you specified in the CHKP call.

Usage

In transaction management application programs, the symbolic CHKP call can be used to retrieve the conversational SPA or the initial message segment that was queued before the application was scheduled. The CHKP call commits all changes made by the program and, if your application program abends, establishes the point at which the program can be restarted. In addition, the symbolic CHKP call can:

- Work with the extended restart (XRST) call to restart your program if your program abends.
- Enables you to save as many as seven data areas in your program, which are restored when your program is restarted.

Restrictions

A CPI Communications driven application program cannot issue the symbolic CHKP call. The symbolic CHKP call is only allowed from batch and BMP applications.

You must issue an XRST call before the symbolic CHKP call.

Related reference

[“XRST call” on page 150](#)

The Extended Restart (XRST) call is used to restart your program.

DPSB call

The Deallocate PSB (DPSB) call frees a PSB that was allocated with the APSB call.

Format

➤ DPSB — *aib* ➤

Call Name	DB/DC	DBCTL	DCCTL	DB Batch	TM Batch
DPSB	X		X		

Parameters

aib

Specifies the application interface block (AIB) that is used for the call. This parameter is an input and output parameter.

The following fields must be initialized in the AIB:

AIBID

Eye catcher. This 8-byte field must contain DFSAIBbb.

AIBLEN

AIB lengths. This field must contain the actual length of the AIB that the application program obtained.

AIBRSNM1

Resource name. This 8-byte, left-justified field must contain the PSB name.

Usage

The DPSB call must be used in a CPI Communications driven application program to release a PSB after a commit point occurs and before another PSB can be allocated. In a CPI Communications driven application program, the commit point is achieved with the COMMIT verb. For more information on CPI Communications driven application programs, see the topic "CPI-C Driven Application Programs" in *IMS Version 15.5 Communications and Connections*.

Restrictions

You can issue the DPSB call only after a commit point occurs, and it is valid only after a successful APSB call.

GMSG call

A Get Message (GMSG) call is used in an automated operator (AO) application program to retrieve a message from an AO exit routine (DFSAOE00 or another AOIE type exit routine).

Format

►► GMSG — *aib* — *i/o_area* ◄◄

Parameters

aib

Specifies the application interface block (AIB) to be used for this call. This parameter is an input and output parameter.

You must initialize the following fields in the AIB:

AIBID

Eye catcher. This 8-byte field must contain DFSAIBbb.

AIBLEN

AIB lengths. This field must contain the actual length of the AIB that the application program obtained.

AIBSFUNC

Subfunction code. This field must contain one of the listed 8-byte subfunction codes:

8-blanks (null)

When coded with an AOI token in the AIBRSNM1 field, indicates IMS is to return when no AOI message is available for the application.

WAITAOI

When coded with an AOI token in the AIBRSNM1 field, indicates IMS is to wait for an AOI message when none is currently available for the application. This subfunction value is invalid if an AOI token is not coded in AIBRSNM1. In this case, error return and reason codes are returned in the AIB.

The value WAITAOI must be left justified and padded with a blank character.

AIBRSNM1

Resource name. This field must contain the AOI token or blanks. The AOI token identifies the message the AO application is to retrieve. The token is supplied for the first segment of a message. If the message is a multisegment message, set this field to blanks to retrieve the second through the last segment. AIBRSNM1 is an 8-byte alphanumeric left-justified field padded with blanks.

AIBOALEN

I/O area length. This field must contain the length of the I/O area that is specified in the call list. This field is not changed by IMS.

AIBOAUSE

Length of the data returned in the I/O area. This parameter is an output parameter.

When partial data is returned because the I/O area is not large enough, AIBOAUSE contains the length required to receive all of the data, and AIBOALEN contains the actual length of the data.

i/o area

Specifies the I/O area to use for this call. This parameter is an output parameter. The I/O area should be large enough to hold the largest segment passed from IMS to the AO application. If the I/O area is not large enough to contain all of the data, IMS returns partial data.

Usage

GMSG is used in an AO application to retrieve a message associated with an AOI token. The AO application must pass an 8-byte AOI token to IMS to retrieve the first segment of the message. IMS uses the AOI token to associate messages from the AO exit routine of type AOIE, with the GMSG call from an AO application. IMS returns to the application only those messages associated with the AOI token. By using different AOI tokens, the AOIE type exit routine can direct messages to different AO applications. Note that your installation defines the AOI token.

To retrieve the second through the last segments of a multisegment message, issue GMSG calls with no token specified (set the token to blanks). If you want to retrieve all segments of a message, you must issue GMSG calls until all segments are retrieved. IMS discards all non-retrieved segments of a multisegment message when a new GMSG call specifying an AOI token is issued.

Your AO application can specify a wait on the GMSG call. If no messages are currently available for the associated AOI token, your AO application waits until a message is available. The decision to wait is specified by the AO application, unlike a WFI transaction where the wait is specified in the transaction definition. The wait is done on a call basis; that is, within a single AO application some GMSG calls might specify waits while others do not.

The following table shows, by IMS environment, the types of application programs that can issue GMSG. GMSG is also supported from a CPI-C driven application program.

Table 34. GMSG support by application region type

Application region type	IMS environment		
	DBCTL	DB/DC	DCCTL
DRA thread	Yes	Yes	N/A
BMP (nonmessage-driven)	Yes	Yes	Yes
BMP (message-driven)	N/A	Yes	Yes

Table 34. GMSG support by application region type (continued)

Application region type	IMS environment		
	DBCTL	DB/DC	DCCTL
MPP	N/A	Yes	Yes
IFP	N/A	Yes	Yes

Restrictions

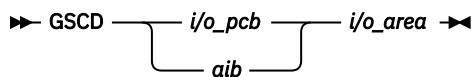
A CPI-C driven program must issue an APSB (allocate PSB) call before issuing GMSG.

GSCD call

The Get System Contents Directory (GSCD) call retrieves the address of the IMS system contents directory (SCD) for batch programs.

This topic contains Product-sensitive Programming Interface information.

Format



Call Name	DB/DC	DBCTL	DCCTL	DB Batch	TM Batch
GSCD				X	X

Parameters

i/o pcb

Specifies the PCB, the first PCB address in the list passed to the program, to use for this call. This parameter is an input and output parameter.

aib

Specifies the address of the application interface block (AIB) that is used for the call. This parameter is an input and output parameter.

The following fields must be initialized in the AIB:

AIBID

Eye catcher. This 8-byte field must contain DFSAIBbb.

AIBLEN

AIB lengths. This field must contain the actual length of the AIB that the application program obtained.

AIBRSNM1

Resource name. This 8-byte, left-justified field must contain the PCB name IOPCBbbb.

AIBOALEN

I/O area length. This field must contain the length of the I/O area that is specified in the call list.

i/o area

Specifies the I/O area to be used for the call. This parameter is an output parameter. For the GSCD call, the I/O area must be 8 bytes in length. IMS TM places the address of the SCD in the first 4 bytes and the address of the program specification table (PST) in the second 4 bytes.

Usage

IMS does not return a status code to a program after it issues a successful GSCD call. The status code from the previous call that used the same PCB remains unchanged in the PCB.

Restrictions

The GSCD call can be issued only from DLI or DBB batch application programs.

ICMD call

An Issue Command (ICMD) call lets an automated operator (AO) application program issue an IMS command and retrieve the first command response segment.

Format

► ICMD — *aib* — *i/o_area* ◄

Parameters

aib

Specifies the application interface block (AIB) used for this call. This parameter is an input and output parameter.

The following fields must be initialized in the AIB:

AIBID

Eye catcher. This 8-byte field must contain DFSAIBbb.

AIBLEN

AIB lengths. This field must contain the actual length of the AIB that the application program obtained.

AIBOALEN

I/O area length. This field must contain the length of the I/O area that is specified in the call list. This field is not changed by IMS.

AIBOAUSE

Length of data returned in the I/O area. This parameter is an output parameter.

Your program must check this field to determine whether the ICMD call returned data to the I/O area. When the only response to the command is a DFS058 message indicating either COMMAND IN PROGRESS or COMMAND COMPLETE, the response is not returned.

When partial data is returned because the I/O area is not large enough, AIBOAUSE contains the length required to receive all of the data, and AIBOALEN contains the actual length of the data.

i/o area

Specifies the I/O area to use for this call. This parameter is an input and output parameter. The I/O area should be large enough to hold the largest command passed from the AO application to IMS, or command response segment passed from IMS to the AO application. If the I/O area is not large enough to contain all of the data, IMS returns partial data.

The general format of your I/O work area on an ICMD call is:

LLZZ/VERB KEYWORD1 P1 KEYWORD2 P2, P3.

LL

Two-byte field containing the length of the command text, including LLZZ.

ZZ

Two-byte field reserved for IMS.

/ or CRC

Indicates an IMS command follows. CRC (Command Recognition Character) rather than a slash (/) is used in the DBCTL environment.

VERB

The IMS command you are issuing.

KEYWORDX

Keywords that apply to the command being issued.

PX

Parameters for the keywords you are specifying.

. (Period)

End of the command.

The length of a command is limited by the size of the I/O area; the size is specified in the IOASIZE parameter in the PSBGEN macro during PCB generation. LL is the length of the command text. The size of the I/O area is the length of the actual command text, plus 4 bytes for LLZZ. The minimum size of the I/O work area is 132 bytes.

The fifth byte must be a "/" (or CRC for DBCTL), and the verb must follow immediately. The **/ BROADCAST** and **/ LOOPTEST** commands must have a period between the command segment and text segment, and must be preceded by an LLZZ field that includes the size of the text. Comments can be added by placing a period (.) after the last parameter.

Restriction: When issuing the **/SSR** command, do not code an end-of-command indicator (period) as shown in *IMS Version 15.5 Operations and Automation*. If a period is used, it is considered part of the text.

Usage

ICMD enables an AO application to issue an IMS command and retrieve the first command response segment.

When using ICMD, put the IMS command that is to be issued in your application's I/O area. After IMS has processed the command, it returns the first segment of the response message to your AO application's I/O area to retrieve subsequent segments (one segment at a time), using the RCMD call.

Some IMS commands that complete successfully result in a DFS058 COMMAND COMPLETE message. Some IMS commands that are processed asynchronously result in a DFS058 COMMAND IN PROGRESS message. For a command entered on an ICMD call, neither DFS058 message is returned to the AO application. The AIBOAUSE field is set to zero to indicate no segment was returned. So, your AO application must check the AIBOAUSE field along with the return and reason codes to determine if a response was returned.

Related reading: For more information on the AOI exits, see *IMS Version 15.5 Exit Routines*.

The following table shows, by IMS environment, the types of application programs that can issue ICMD. ICMD is also supported from a CPI-C driven application.

Table 35. ICMD support by application region type

Application region type	IMS environment		
	DBCTL	DB/DC	DCCTL
DRA thread	Yes	Yes	N/A
BMP (nonmessage-driven)	Yes	Yes	Yes
BMP (message-driven)	N/A	Yes	Yes
MPP	N/A	Yes	Yes
IFP	N/A	Yes	Yes

See *IMS Version 15.5 Operations and Automation* for a list of commands that can be issued using the ICMD call.

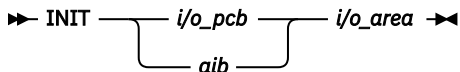
Restrictions

A CPI-C driven program must issue an APSB (allocate PSB) call before issuing ICMD.

INIT call

An Initialize (INIT) call allows the application to receive data availability status codes by checking each DB PCB for data availability.

Format



Call Name	DB/DC	DBCTL	DCCTL	DB Batch	TM Batch
INIT	X	X	X	X	X

Parameters

i/o pcb

Specifies the I/O PCB, the first PCB address in the list passed to the program. This parameter is an input and output parameter.

aib

Specifies the address of the application interface block (AIB) that is used for the call. This parameter is an input and output parameter.

The following fields must be initialized in the AIB:

AIBID

Eye catcher. This 8-byte field must contain DFSAIBbb.

AIBLEN

AIB lengths. This field must contain the actual length of the AIB that the application program obtained.

AIBRSNM1

Resource name. This 8-byte, left-justified field must contain the PCB name IOPCBbbb.

AIBOALEN

I/O area length. This field must contain the length of the I/O area that is specified in the call list.

i/o area

Specifies the I/O area to be used for the call. This parameter is an input parameter.

The I/O area of an INIT call can contain the character string "DBQUERY" or "VERSION(*dbname1=version,dbname2=version*)".

Usage

The INIT call is valid for all IMS TM application programs.

Performance considerations for the INIT call (IMS online only)

For performance reasons, the INIT call should not be issued in online application programs before the first GU call to the I/O PCB. If the INIT call is issued first, the GU call to the I/O PCB is not processed as efficiently.

To specify the database query subfunction in your application program, specify the character string "DBQUERY" in the I/O area.

Determining database availability: INIT DBQUERY

When the INIT call is issued with the DBQUERY character string in the I/O area, the application program can obtain information regarding the availability of data for each PCB. The following tables contain sample I/O areas for the INIT call with DBQUERY.

Table 36. INIT I/O area examples for all xxxTDLI interfaces except PLITDLI

L	L	Z	Z	Character String
00	0B	00	00	DBQUERY

Note: The LL and ZZ fields are binary. The LL value X'0B' is a hexadecimal representation of decimal 11.

Table 37. INIT I/O area examples for the PLITDLI interface

L	L	L	L	Z	Z	Character String
00	00	00	0B	00	00	DBQUERY

Note: The LLLL and ZZ fields are binary. The L value X'0B' is a hexadecimal representation of decimal 11.

LL or LLLL

A 2-byte field that contains the length of the character string, plus 2 bytes for LL. For the PLITDLI interface, use the 4-byte field LLLL. When you use the AIBTDLI interface, PL/I programs require only a 2-byte field.

ZZ

A 2-byte field of binary zeros.

One of the following status codes is returned for each database PCB:

NA

At least one of the databases that can be accessed using this PCB is not available. A call made using this PCB probably results in a BA or BB status code if the INIT STATUS GROUPA call has been issued, or in a DFS3303I message and 3303 pseudo-abend if it has not. An exception is when the database is not available because dynamic allocation failed. In this case, a call results in an AI (unable to open) status code.

In a DCCTL environment, the status code is always NA.

NU

At least one of the databases that can be updated using this PCB is unavailable for update. An ISRT, DLET, or REPL call using this PCB might result in a BA status code if the INIT STATUS GROUPA call has been issued, or in a DFS3303I message and 3303 pseudoabend if it has not. The database that caused the NU status code might be required only for delete processing. In that case, DLET calls fail, but ISRT and REPL calls succeed.

bb

The data that can be accessed with this PCB can be used for all functions the PCB allows. DEDBs and MSDBs always have the bb.

In addition to data availability status, the name of the database organization of the root segment is returned in the segment name field of the PCB. In DCCTL environments, the name of the database organization is UNKNOWN.

Automatic INIT DBQUERY

When the application program is entered initially, the status code in the database PCBs is initialized as if the INIT DBQUERY call was issued. This enables the application program to determine database availability without issuing the INIT call.

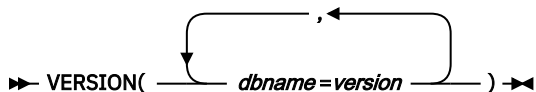
In DCCTL environments, the status code is NA.

Specify a database version number: INIT VERSION(dbname=version)

When database versioning is enabled, an application program can use the "VERSION" function to request a version of a database that is different from the version number that is specified for the application program on the PCB or from the default version that is returned by IMS. A version number specified on the INIT VERSION call takes precedence over all other version specifications and defaults.

When the INIT VERSION call is not issued prior to a DL/I to access a database, the version of the database that is returned to the application program is determined by the DBVER keyword of the PCB statement. If the DBVER keyword is not specified, IMS returns either the version of the database that is active in the ACB library or version 0 of the database, as determined by the DBLEVEL keyword in either the PSBGEN statement or the database section of the DFSDFxxx PROCLIB member.

In the I/O area, the VERSION function is specified by using the following format:



Each database name is specified by using alphabetic characters and can be specified only once. Specify only names of physical databases. The names of logical databases are not supported.

Each version is specified as a numeric value from 0 to 2147483647. The number that is specified must match a version number that is defined on a DBD for the named database and stored in the IMS catalog.

Calculate the size that is required for the I/O area by multiplying the number of databases that are specified in the input I/O area by 20.

For example, the following table contains a sample I/O area for the INIT VERSION call for assembler language, COBOL, C language, and Pascal. In the table, the LL value of X'3C' is the hexadecimal representation of decimal 60, the length in bytes that is required to hold the output in the I/O area when three database names are specified on input. The ZZ fields are binary.

Table 38. INIT VERSION: Example format for ASMTDLI, CBLTDLI, CTDLI, and PASTDLI

L	L	Z	Z	Character string
00	3C	00	00	VERSION (DBa=1, DBb=2, DBc=3)

The following table contains a sample I/O area for the INIT call with VERSION for PL/I. In the table, the LL value of X'3C' is the hexadecimal representation of decimal 60. The ZZ fields are binary.

Table 39. INIT VERSION: Example format for PLITDLI

L	L	L	L	Z	Z	Character string
00	00	00	3C	00	00	VERSION (DBa=1, DBb=2, DBc=3)

LL or LLLL

A 2-byte or 4-byte field that contains the total length of the I/O area. For PL/I, the length of the LLLL field is considered 2 bytes even though it is a 4-byte field. When you use the AIBTDLI interface, the length of the record is equal to the total length of LL + ZZ + character string. For the PLITDLI interface, the length of the record is equal to the total length of LLLL + ZZ + required length for output, where LLLL is considered 2 bytes.

ZZ

A 2-byte field of binary zeros.

Character string

The function specification on input. The length that is specified in the LL or LLLL is the length that is required for the output: 20 bytes for each database that is specified in the input character string.

INQY call

The Inquiry (INQY) call is used to request information regarding execution environment, destination type and status, and session status. INQY is valid only for application interfaces that use the AIB structure.

Format

➤ INQY — *aib* — *i/o area* ➤

Call Name	DB/DC	DBCTL	DCCTL	DB Batch	TM Batch
INQY	X	X	X	X	X

Parameters

aib

Specifies the address of the application interface block (DFSAIB) for the call. This parameter is an input and output parameter. These fields must be initialized in the AIB:

AIBID

Eye catcher. This 8-byte field must contain DFSAIBbb.

AIBLEN

AIB lengths. This field must contain the actual length of the AIB that the application program obtained.

AIBSFUNC

Subfunction code. This field must contain one of the 8-byte subfunction codes as follows:

- bbbbbbbb (Null)
- DBQUERYb
- ENVIRONb
- ENVIRON2
- FINDbbbb
- LERUNOPT
- MSGINFOb
- PROGRAMb (Not supported with the ODBA interface)

AIBRSNM1

Resource name. This 8-byte, left-aligned field must contain the name of any named PCB in the PSB.

AIBOALEN

I/O area length. This field must contain the length of the I/O area specified in the call list. This field is not changed by IMS.

i/o area

Specifies the data output area to use with the call. This parameter is an output parameter. An I/O area is required for INQY subfunctions ENVIRONb, ENVIRON2, MSGINFOb and PROGRAMb. It is not required for subfunctions DBQUERYb, FINDbbbb, and LERUNOPT.

Restrictions

A CPI Communications driven application program cannot issue an INQY call with the null subfunction against an I/O PCB.

A batch program cannot issue an INQY call with a null subfunction.

Usage

The INQY call operates in both batch and online IMS environments. IMS application programs can use the INQY call to request information about the output destination, the session status, the current execution environment, the availability of databases, and the PCB address, which is based on the PCB name. You must use the AIB when issuing an INQY call. Before you can issue an INQY call, initialize the fields of the AIB.

When you use the INQY call, specify an 8-byte subfunction code, which is passed in the AIB. The INQY subfunction determines the information that the application program receives.

The INQY call returns information to the caller's I/O area. The length of the data that is returned from the INQY call is passed back to the application program in the AIB field, AIBOAUSE.

Specify the size of the I/O area in the AIB field, AIBOALEN. The INQY call returns only as much data as the area can hold in one call. If the area is not large enough for all the information, an AG status code is returned, and partial data is returned in the I/O area. In this case, the AIB field AIBOALEN contains the actual length of the data that is returned to the I/O area, and the AIBOAUSE field contains the output area length that would be required to receive all the data.

Querying information from the PCB: INQY null

When the INQY call is issued with the null subfunction, the application program obtains information related to the PCB, including output destination type and location, and session status. The INQY call can use the I/O PCB or the alternate PCB. The information you receive regarding destination location and session status is based on the destination type. The destination types are APPC, OTMA, TERMINAL, TRANSACT, and UNKNOWN.

Related reading: For more information about APPC and LU 6.2, see *IMS Version 15.5 Communications and Connections*.

The INQY null subfunction returns character string data in the I/O area. The output that is returned for the destination types APPC, OTMA, TERMINAL, and TRANSACT is left justified and padded with blanks. The UNKNOWN destination type does not return any information. The following tables list the output returned from the INQY null call. Refer to the notes associated with the table for further information about some of the entries.

Table 40. INQY null data output for terminal-type destinations

Information returned	Length in bytes	Actual value	Explanation
Destination Type	8	Terminal	The destination of the I/O PCB or alternate PCB is a terminal.
Terminal Location	8	Local	The terminal is defined as local.
		Remote	The terminal is defined as remote.
Queue Status	8	Started	The queue is started and can accept work.
		Stopped	The queue is stopped and cannot accept work.
Session Status	8	b	The status is not available.
		ACTIVE	The session is active.
		INACTIVE	The session is inactive.

Table 41. INQY null data output for transaction-type destinations

Information returned	Length in bytes	Actual value	Explanation
Destination Type	8	TRANSACT	The destination of the alternate PCB is a program.
Transaction Location	8	Local	The transaction is defined as local.
		Remote	The transaction is defined as remote.
		DYNAMIC	The transaction is defined as dynamic. ¹
Transaction Status	8	STARTED	The transaction can be scheduled. ²
		STOPPED	The transaction cannot be scheduled. ²
Destination PSB Name	8		This field gives the name of the destination PSB.
		b	The Program Routing exit routine has defined the destination as a transaction not on this system or the transaction is dynamic. The transaction destination is not available.
Destination Program or Session Status	8	b	The status is not available.
		ACTIVE	The MSC link session is active (remote transaction or a transaction that was rerouted to a remote IMS by the TM and Message Routing and Control user exit routine (DFSMSCEO)).
		INACTIVE	The MSC link session is inactive (remote transaction or a transaction that was rerouted to a remote IMS by the TM and Message Routing and Control user exit routine (DFSMSCEO)).
		STARTED	The program can be scheduled (local transaction).
		STOPPED	The program cannot be scheduled (local transaction).

Notes:

1. A dynamic transaction is only possible in a shared-queues environment. A transaction is dynamic when it is not defined to the IMS system that is sending the message, but rather to another IMS system that is sharing the queues. The dynamic transaction is created when the Destination Creation exit routine (DFSINSX0) indicates a transaction whose destination is unknown to IMS. The output fields for the destination PSB name and destination program are set to blanks.
2. If the transaction was rerouted to a remote IMS by the TM and Message Routing and Control user exit routine (DFSMSCEO, the status returned is the MSNAME status.

Table 42. INQY null data output for APPC-Type destinations

Information returned	Length in bytes	Actual value	Explanation
Destination Type	8	APPC	The destination is an LU 6.2 device.

Table 42. INQY null data output for APPC-Type destinations (continued)

Information returned	Length in bytes	Actual value	Explanation
APPC/MVS Side Information Entry Name ¹	8		This field provides the Side Name.
		b	The Side Name is not available.
Partner Logical Unit Name ²	8		This field provides the partner LU name for the conversation.
		b	The partner LU name is not available.
Partner Mode Table Entry Name ³	8		This field provides the Mode Name for the conversation.
		b	The Mode Name is not available.
User Identifier	8		This field provides the user ID.
		b	The user ID is not available.
Group Name	8		This field provides the Group Name.
		b	The Group Name is not available.
Synchronization Level ⁴	1	C	The synchronization level is defined as CONFIRM.
		N	The synchronization level is defined as NONE.
Conversation Type ⁵	1	B	The conversation is defined as BASIC.
		M	The conversation is defined as MAPPED.
Userid Indicator	1		The value of the Userid Indicator field indicates the contents of the user ID field. The Userid Indicator field has four possible values.
		U	The U value indicates the user's identification from the source terminal during signon.
		L	The L value indicates the LTERM name of the source terminal if signon is not active.
		P	The P value indicates the PSBNAME of the source BMP or transaction.
Address of TPN ⁶	4		The O value indicates some other name.
		0	The address of the Transaction Program Name is not available.

Table 42. INQY null data output for APPC-Type destinations (continued)

Information returned	Length in bytes	Actual value	Explanation
Notes:			
1. If the call is issued against a TP PCB, the Side Name cannot be used and b is returned. If the call is issued against an alternate modifiable PCB, the Side Name must be supplied in a CHNG call that is issued before INQY.			
2. If the call is issued against a TP PCB, the LU name must be coded. If the call is issued against a modifiable alternate PCB, the LU name must be supplied in a CHNG call that is issued before INQY.			
3. If the call is issued against a TP PCB, the Mode Name cannot be used and b is returned. If the call is issued against an alternate modifiable PCB, the Mode Name must be supplied in a CHNG call that is issued before INQY.			
4. When the synchronization level is not available, IMS uses the default value of CONFIRM.			
5. When the conversation type is not available, IMS uses the default value of MAPPED.			
6. The pointer identifies a length field (LL), which contains the length of the TPN in binary, including the 2 bytes required for LL.			
7. The TPN can be up to 64 bytes long.			

Table 43. INQY null data output for OTMA-Type destinations

Information Returned	Length in Bytes	Actual Value	Explanation
Destination Type	8	OTMA	The destination is an OTMA client.
tpipe Name	8		This field provides the OTMA transaction pipe name.
		b	The tpipe Name is not available.
Member Name	16		This field provides the z/OS cross-system coupling facility (XCF) member name of the OTMA client.
		b	The Member Name is not available.
User Identifier	8		This field provides the User ID.
		b	The User ID is not available.
Group Name	8		This field provides the group name.
		b	The Group Name is not available.
Synchronization Level	1	S	The OTMA transaction pipe is synchronized.
		b	The OTMA transaction pipe is not synchronized.
Message Synchronization Level ¹	1	C	The synchronization level is defined as CONFIRM.
		N	The synchronization level is defined as NONE.

Table 43. INQY null data output for OTMA-Type destinations (continued)

Information Returned	Length in Bytes	Actual Value	Explanation
Userid Indicator	1		The value of the Userid Indicator field indicates the contents of the user ID field. The Userid Indicator field has four possible values.
		U	The U value indicates the user's identification from the source terminal during signon.
		L	The L value indicates the LTERM name of the source terminal if signon is not active.
		P	The P value indicates the PSBNAME of the source BMP or transaction.
		O	The O value indicates some other name.
Reserved for IMS	1		This field is reserved.

Notes:

1. When the synchronization level is not available, IMS uses the default value of CONFIRM.

Table 44. INQY null data output for unknown-type destinations

Information returned	Length in bytes	Actual value	Explanation
Destination Type	8	UNKNOWN	Unable to find destination.

The contents of the output fields vary depending on the type of PCB used for the INQY call. The following table shows how INQY output for APPC destinations varies depending on the PCB type. The PCB can be a TP PCB or an alternate PCB.

Table 45. INQY output and PCB type

Output field	TP PCB	Alternate PCB (Non-modifiable)	Alternate PCB (Modifiable)
Destination Type	APPC	APPC	APPC
Side Name	blanks	Side Name if available or blanks	Side Name if supplied on previous CHNG call or blanks
LU Name	Input LU Name	LU Name if available or blanks	LU Name if supplied on previous CHNG call or blanks
Mode Name	blanks	Mode Name if available or blanks	Mode Name if supplied on previous CHNG call or blanks
User Identifier	USERID if available or blanks	USERID if available or blanks	USERID if available or blanks
Group Name	Group Name if available or blanks	Group Name if available or blanks	Group Name if available or blanks
Sync Level	C or N	C or N	C or N

Table 45. INQY output and PCB type (continued)

Output field	TP PCB	Alternate PCB (Non-modifiable)	Alternate PCB (Modifiable)
Conversation Type	B or M	B or M	B or M
Userid Indicator	U or L or P or O	U or L or P or O	U or L or P or O
TPN Address	Address of the TPN character string	Address of the TPN character string or zero	Address of the TPN character string or zero
TPN character string	Inbound name of IMS Transaction that is executing.	Partner TPN, if available. If not available, address field is zero.	TP Name if it is supplied on the previous CHNG call. If not supplied, the address field is zero.

Note: If your TPN name is DFSASYNC, the destination represents an asynchronous conversation.

Related reading: For more information on APPC and LU 6.2, see *IMS Version 15.5 Communications and Connections*.

Querying data availability: INQY DBQUERY

When the INQY call is issued with the DBQUERY subfunction, the application program obtains information about the data for each PCB. The only valid PCB name that can be passed in AIBRSNM1 is IOPCBbbb. The INQY DBQUERY call is similar to the INITDBQUERY call. The INQY DBQUERY call does not return information in the I/O area, but like the INIT DBQUERY call, it updates status codes in the database PCBs.

The application program is not made aware of the status of each PCB until an INQY FIND call is issued. To retrieve the status for a database, you must pass the DB PCB for that database in the INQY FIND call.

In addition to the INIT DBQUERY status codes, the INQY DBQUERY call returns these status codes in the I/O PCB:

bb

The call is successful and all databases are available.

BJ

None of the databases in the PSB are available, or no PCBs exist in the PSB. All database PCBs (excluding GSAM) contain an NA status code as the result of processing the INQY DBQUERY call.

BK

At least one of the databases in the PSB is not available, or availability is limited. At least one database PCB contains an NA or NU status code as the result of processing the INQY DBQUERY call. When CATALOG PCBs show NA, the status code is bb.

The INQY call returns the following status codes in each DB PCB:

NA

At least one of the databases that can be accessed by using this PCB is not available. A call that is made using this PCB probably results in a BA or BB status code if the INIT STATUS GROUPA call has been issued, or in a DFS3303I message and 3303 pseudoabend if the call has not been issued. An exception is when the database is not available because dynamic allocation failed. In this case, a call results in an AI (unable to open) status code.

In a DCCTL environment, the status code is always NA.

NU

At least one of the databases that can be updated using this PCB is unavailable for update. An ISRT, DLET, or REPL call using this PCB might result in a BA status code if the INIT STATUS GROUPA call has been issued, or in a DFS3303I message and 3303 pseudoabend if it has not been issued. The

database that caused the NU status code might be required only for delete processing. In that case, DLET calls fail, but ISRT and REPL calls succeed.

bb

The data that can be accessed with this PCB can be used for all functions the PCB allows. DEDBs and MSDBs always have the bb.

Querying the environment: INQY ENVIRON or ENVIRON2

When the INQY call is issued with the ENVIRON or ENVIRON2 subfunctions, the application program obtains information about the current execution environment. Both subfunctions cannot be used with the same INQY call, so use either ENVIRON or ENVIRON2. The ENVIRON subfunction provides compatibility for existing programs that require its specific use, whereas ENVIRON2 is newer and provides more information. The only valid PCB name that can be passed in AIBRSNM1 is IOPCBbbb. This includes the IMS identifier, release, region, and region type.

The INQY ENVIRON and ENVIRON2 calls return character-string data. The output is left-aligned and padded with blanks on the right.

Recommendations: To account for expansion in the length of the reply data, specify an I/O area length of 512 bytes.

To reference the field that contains the recovery token or the application parameter string, code your application programs to locate the field by using the address of the field that is returned in the data output of the INQY ENVIRON or INQY ENVIRON2 calls. This is the only valid programming technique to reference the recovery token field and the application parameter string field. No other programming technique should be used to reference these fields.

The recovery token or the application parameter string are optional and therefore are not always returned. If they are not returned, the value in the address field is zero.

For more information about the recovery token and application parameter fields, see [note 2](#) after the following table.

The following table describes the INQY ENVIRON output.

Table 46. INQY ENVIRON data output

Information returned	Length in bytes	Actual value	Explanation
IMS Identifier	8		Provides the identifier from the execution parameters.
IMS Release Level	4		Provides the release level for IMS. For example, X'00000410'.
IMS Control Region Type	8	BATCH	Indicates that an IMS batch region is active.
		DB	Indicates that only the IMS Database Manager is active. (DBCTL system)
		TM	Indicates that only the IMS Transaction Manager is active. (DCCTL system)
		DB/DC	Indicates that both the IMS Database and Transaction managers are active. (DB/DC system)

Table 46. INQY ENVIRON data output (continued)

Information returned	Length in bytes	Actual value	Explanation
IMS Application Region Type	8	BATCH	Indicates that the IMS Batch region is active.
		BMP	Indicates that the Batch Message Processing region is active.
		DRA	Indicates that the Database Resource Adapter Thread region is active.
		IFP	Indicates that the IMS Fast Path region is active.
		JBP	Indicates that the Java batch processing region is active.
		JMP	Indicates that the Java message processing region is active.
		MPP	Indicates that the Message Processing region is active.
Region Identifier	4		Provides the region identifier. For example, X'00000001'.
Application Program Name	8		Provides the name of the application program being run.
PSB Name (currently allocated)	8		Provides the name of the PSB currently allocated.
Transaction Name	8		Provides the name of the transaction.
		b	Indicates that no associated transaction exists.
User Identifier ¹	8		Provides the user ID.
		b	Indicates that the user ID is unavailable.
Group Name	8		Provides the group name.
		b	Indicates that the group name is unavailable.
Status Group Indicator	4	A	Indicates an INIT STATUS GROUPE call is issued.
		B	Indicates an INIT STATUS GROUPB call is issued.
		b	Indicates that a status group is not initialized.
Address of Recovery Token ² on page 138	4		Provides the address of the LL field, followed by the recovery token.
		0	Indicates that the recovery token is not available.
Address of the Application Parameter String ² on page 138	4		Provides the address of the LL field, followed by the application program parameter string.
		0	Indicates that the APARM= parameter is not coded in the execution parameters of the dependent region JCL.
Shared Queues Indicator	4		Indicates that IMS is not using Shared Queues.
		SHRQ	Indicates IMS is using Shared Queues.
User ID of Address Space	8		User ID of dependent address space.

Table 46. INQY ENVIRON data output (continued)

Information returned	Length in bytes	Actual value	Explanation
User ID Indicator	1		<p>Contains one of the following possible values to indicate the contents of the userid field:</p> <p>U Indicates the user's identification from the source terminal during sign-on.</p> <p>L Indicates the LTERM name of the source terminal in sign-on is not active.</p> <p>P Indicates the PSBNAME of the source BMP or transaction.</p> <p>O Indicates some other name.</p>
z/OS Resource Recovery Services (RRS) Indicator	3	b	Indicates that IMS has not expressed interest in the UR with RRS. Therefore, the application should refrain from performing any work that causes RRS to become the syncpoint manager for the UR because IMS will not be involved in the commit scope. For example, the application should not issue any outbound protected conversations.
		RRS	Indicates that IMS has expressed interest in the UR with RRS. Therefore, IMS is involved in the commit scope if RRS is the syncpoint manager for the UR.
IMS catalog enablement indicator	8	b	<p>Indicates that the IMS catalog is not enabled in the DFSDFxxx PROCLIB member.</p> <p>For information about setting up and enabling an IMS catalog, see IMS catalog definition and tailoring (System Definition).</p> <p>For information about enabling the IMS catalog in the DFSDFxxx PROCLIB member, see DFSDFxxx member of the IMS PROCLIB data set (System Definition).</p>
		CATALOG plus one byte of reserved space initialized as a blank.	Indicates that the IMS catalog is enabled. Database and application metadata are available in IMS. Data mask definitions that use this value must include all eight bytes.

Table 46. INQY ENVIRON data output (continued)

Information returned	Length in bytes	Actual value	Explanation
Notes:			
1. The user ID is derived from the PSTUSID field of the PST that represents the region making the INQY ENVIRON call. The PSTUSID field is one of the following:			
<ul style="list-style-type: none"> For message-driven BMP regions that have not completed successful GU calls to the IMS message queue and for non-message-driven BMP regions, the PSTUSID field is derived from the name of the PSB that is currently scheduled into the BMP region. For message-driven BMP regions that have completed a successful GU call and for any MPP region, the PSTUSID field is derived which is usually the input terminal's RACF ID. If the terminal has not signed on to RACF, the ID is the input terminal's LTERM. 			
2. The pointer is an address that identifies a length field (LL) which contains the length of the recovery token or application program parameter string in binary, including the two bytes required for LL. Use this pointer to set up addressability of the AIB between releases in a batch program.			
<ul style="list-style-type: none"> The length byte is two more than the length of the string passed as APARM. This is because it includes the length of the halfword length. Thus, to turn the length byte into a machine length for an executed move, you need to subtract three. This is unlike z/OS parm strings, where length does not additionally include the length of the length byte, and you only subtract one before your executed move. 			

The INQY ENVIRON2 subfunction returns all the information provided by the ENVIRON subfunction, plus the output described in the following table.

Table 47. INQY ENVIRON2 data output

Information returned	Length in bytes	Actual value	Explanation
INQY ENVIRON2 output version	4		Indicates the version number of this INQY ENVIRON2 output.
IMS installed version (Entries in this row's <i>Actual value</i> column show actual values for IMS versions 15.1, 15.2, and 15.3. A similar output pattern applies for newer versions of IMS.)	4	X'00001510'	Indicates IMS version 15.1.0
		X'00001520'	Indicates IMS version 15.2.0
		X'00001530'	Indicates IMS version 15.3.0
IMS function level	4		Indicates the currently installed function level of IMS.
Functions enabled bitmap	32		Is the value of the IMS functions enabled bitmap.
Primary Language Environment enclave addressing mode	2	31	Indicates that the primary Language Environment enclave addressing mode is 31-bit.
		64	Indicates that the primary Language Environment enclave addressing mode is 64-bit.
		0	Indicates that no JVM was requested.

Table 47. INQY ENVIRON2 data output (continued)

Information returned	Length in bytes	Actual value	Explanation
Language Environment enclave addressing mode for JVM	2	31	Indicates that the Language Environment enclave addressing mode of the requested JVM is 31-bit.
		64	Indicates that the Language Environment enclave addressing mode of the requested JVM is 64-bit.
		0	Indicates that no JVM was requested.
IMS MACB enablement indicator	4	No value	Indicates that managed ACBs is disabled.
		MACB	Indicates that managed ACBs is enabled.

Notes:

1. To learn more about the functions enabled bitmap, see [IMS function levels overview \(System Administration\)](#).
2. ENVIRON2 reports primary and active addressing modes as decimal values. Some programs, such as DFSDDLT0, displays these values in hexadecimal. In such cases, 31-bit displays as 1F and 64-bit displays as 40.

Querying the input message information: INQY MSGINFO

To obtain information regarding the current input message, use the INQY call with the MSGINFO subfunction. The only valid PCB name that can be passed in the AIBRSNM1 field is IOPCBbbb. The output returns the version number and the output fields for the message information. The INQY MSGINFO call returns the response in the I/O area.

The following table lists the output that is returned from the INQY MSGINFO call. Included with the information returned is the byte length, the actual value, and an explanation of the output.

The distributed network user ID, if used, has a variable length from 1 to 246 bytes and the distributed network session ID, if used, has a variable length from 1 to 254 bytes. Because the size of the distributed network security credentials can vary, the information is appended to the end of the response in the I/O area. If network security credentials are included in the message, define the I/O area, in the AIB field AIBOALEN, with the appropriate 2-byte length to account for the variable length of the network user ID and the network session ID.

To reference the field that contains the distributed network user ID or distributed network session ID, code your application programs to locate the field by using the address of the field that is returned in the data output of the INQY MSGINFO call. The address identifies a length field (LL) that contains the length of the ID followed by the distributed network user ID or network session ID. This is the only valid programming technique to reference the network user ID and network session ID.

The distributed network user ID or network session ID are optional and therefore are not always returned. If they are not returned, the value in the address field is zero.

Table 48. INQY MSGINFO data output

Information returned	Length in bytes	Actual value	Explanation
Version number	4	1 or 2	Output response version 1 contains the origin IMS ID. Output response version 2 contains both the origin IMS ID and the distributed network security credentials.
Origin IMSID	8		The IMS identifier from which the input message originated.
Address of distributed network user ID	4		If this field is zero, network user ID is not available. If this field is nonzero, it provides the address of the LL field followed by the network user ID for the input message.
Address of distributed network session ID	4		If this field is zero, network session ID is not available. If this field is non-zero, it provides the address of the LL field followed by the network session ID for the input message.
Reserved for IMS	60		This field is reserved for future output expansion.

Querying the PCB address: INQY FIND

When the INQY call is issued with the FIND subfunction, the application program is returned with the PCB address of the requested PCB name. The valid PCB names that can be passed in AIBRSNM1 are IOPCBbbb or the name of the alternate PCB (TP PCB) or database PCB as it is defined in the PSB.

On a FIND subfunction, the requested PCB remains unmodified, and no information is returned in an I/O area.

The FIND subfunction is used to get a PCB address following an INQY DBQUERY call. This process allows the application to analyze the PCB status code to determine if an NA or NU status code is set in the PCB.

Querying for LE overrides: INQY LERUNOPT

When the LERUNOPT call is issued with the LERUNOPT subfunction, IMS determines whether LE overrides are allowed based on the LEOPT system parameter. The LE override parameters are defined to IMS through the UPDATE LE command. IMS checks to see whether there are any overrides applicable to the caller based on the specific combinations of transaction name, lterm name, userid, or program name in the callers environment. IMS returns the address of the string to the caller if an override parameter is found. The LE overrides are used by the IMS supplied CEEBXITA exit, DFSBXITA, to allow dynamic overrides for LE runtime parameters.

The call string must contain the function code and the AIB address. The I/O area is not a required parameter and is ignored if specified. The only valid PCB name that can be passed in AIBRSNM1 is IOPCB. The AIBOALEN and AIBOAUSE fields are not used.

The rules for matching an entry that results in it being returned on a DL/I INQY LERUNOPT call are:

- An MPP or JMP region uses transaction name, lterm, userid, and program to match with each entry.
- An IFB, JBP, or non-message-driven BMP uses program name to match with each entry. If an entry has a defined filter for transaction name, lterm, or userid, it does not match. Message driven BMPs also use transaction name.
- The entries are scanned to find the entry with the most filter matches. The first entry in the list with the most exact filter matches is selected. The scan stops with an entry found with all of the filters matching the entry.

Note: Searching table entries may cause user confusion because of the way entries are built and searched. For example, assume that there are two entries in the table that match on the filters specified on the DL/I INQY call. The first transaction matches on transaction name and lterm name. The second entry matches on transaction name and program name. IMS chooses the first entry because it was the first entry encountered with highest number of filter matches. If the second entry is now updated with a longer parameter string, which causes a new entry to be built, it is added to the head of the queue. The next search would result in the entry with transaction name and program name being selected. This could result in a set of runtime options being selected that were not expected by the user.

Environments: The LERUNOPT subfunction can be specified from DB/DC, DBCTL, and DCCTL environments. Overrides are based on a combination of transaction name, lterm name, user ID, and program name in MPP and JMP regions. IFP, BMP, and JBP regions will have overrides based on program name. Message driven BMP regions can also use transaction name.

Return and reason codes: AIB return and reason codes must be checked to determine if the call has been successfully completed. AIBRSA2 is used to return the address of the parameter string if override parameters are available for the caller.

Querying the program name: INQY PROGRAM

When you issue the INQY call with the PROGRAM subfunction, the application program name is returned in the first 8 bytes of the I/O area. The only valid PCB name that can be passed in AIBRSNM1 is IOPCBbbb.

INQY return codes and reason codes

When you issue the INQY call, return and reason codes are returned to the AIB. Status codes can be returned to the PCB. If return and reason codes other than those that apply to INQY are returned, your application should examine the PCB to see what status codes are found.

Map of INQY subfunction to PCB type

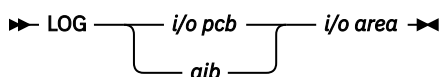
Table 49. Subfunction, PCB, and I/O area combinations for the INQY call

Subfunction	I/O PCB	Alternate PCB	DB PCB	I/O Area Required
FIND	OK	OK	OK	NO
ENVIRON or ENVIRON2	OK	NO	NO	YES
DBQUERY	OK	NO	NO	NO
LERUNOPT	OK	NO	NO	NO
PROGRAM	OK	NO	NO	YES
MSGINFO	OK	NO	NO	YES

LOG call

The Log (LOG) call is used to send and write information to the IMS system log.

Format



Call Name	DB/DC	DBCTL	DCCTL	DB Batch	TM Batch
LOG	X	X	X	X	X

Parameters

i/o pcb

Specifies the address of the PCB, the first PCB address in the list passed to the program, to use for this call. This parameter is an input and output parameter.

aib

Specifies the application interface block (AIB) that is used for the call. This parameter is an input and output parameter.

The following fields must be initialized in the AIB:

AIBID

Eye catcher. This 8-byte field must contain DFSAIBbb.

AIBLEN

AIB lengths. This field must contain the actual length of the AIB that the application program obtained.

AIBRSNM1

Resource name. This 8-byte, left-justified field must contain the PCB name IOPCBbbb.

AIBOALEN

I/O area length. This field must contain the length of the I/O area that is specified in the call list.

i/o area

Specifies the area in your program that contains the record that you want to write to the system log. This parameter is an input parameter. This record must be in the format shown in the following tables.

Table 50. Log record formats for COBOL, PL/I, C language, Pascal, and assembler for AIBTDLI, ASMTDLI, CBLTDLI, CEETDLI, CTDLI, and PASTDLI interfaces

Field Name	Field Length
LL	2
ZZ	2
C	1
Text	Variable

Table 51. Log record formats for COBOL, PL/I, C language, Pascal, and assembler for PLITDLI interface

Field Name	Field Length
LLLL	4
ZZ	2
C	1

Table 51. Log record formats for COBOL, PL/I, C language, Pascal, and assembler for PLITDLI interface (continued)

Field Name	Field Length
Text	Variable

The fields must be as follows:

LL or LLLL

Specifies a 2-byte field that contains the length of the record. When you use the AIBTDLI interface, the length of the record is equal to LL + ZZ + C + text of the record. For the PLITDLI interface, the length of the record is equal to LLLL + ZZ + C + the text of the record. When you calculate the length of the log record, you must account for all of the fields. The total length you specify includes:

- 2 bytes for LL or LLLL. (For PL/I, include the length as 2, even though LLLL is a 4-byte field.)
- 2 bytes for the ZZ field.
- 1 byte for the C field.
- n bytes for the length of the record itself.

If you are using the PLITDLI interface, your program must define the length field as a binary fullword.

ZZ

Specifies a 2-byte field of binary zeros.

C

Specifies a 1-byte field containing a log code, which must be equal to or greater than X'A0'.

Text

Specifies any data to be logged.

Usage

An application program can write a record to the system log by issuing the LOG call. When you issue the LOG call, you specify the I/O area that contains the record you want written to the system log. You can write any information to the log, and you can use log codes to distinguish among various types of information. You can issue the LOG:

- In the IMS DB/DC environment, and the record is written to the IMS log.
- In the DCCTL environment, and the record is written to the DCCTL log.

Restrictions

The length of the I/O area (including all fields) cannot be larger than the logical record length (LRECL) for the system log data set minus 4 bytes and the length of logrec prefix (which is x'4A' bytes in length), or the I/O area specified in the IOASIZE keyword of the PSBGEN statement of the PSB.

RCMD call

A Retrieve Command (RCMD) call lets an automated operator (AO) application program retrieve the second and subsequent command response segments after an ICMD call.

Format

➔ RCMD — *aib* — *i/o area* ➔

Parameters

aib

Specifies the application interface block (AIB) used for this call. This parameter is an input and output parameter.

The following fields must be initialized in the AIB:

AIBID

Eye catcher. This 8-byte field must contain DFSAIBbb.

AIBLEN

AIB lengths. This field must contain the actual length of the AIB that the application program obtained.

AIBOALEN

I/O area length. This field must contain the length of the I/O area that is specified in the call list. This field is not changed by IMS.

AIBOAUSE

Length of data returned in the I/O area. This parameter is an output parameter.

When partial data is returned because the I/O area is not large enough, AIBOAUSE contains the length required to receive all of the data and AIBOALEN contains the actual length of the data.

i/o area

Specifies the I/O area to use for this call. This parameter is an output parameter. The I/O area should be large enough to hold the largest command response segment passed from IMS to the AO application. If the I/O area is not large enough for all of the information, partial data is returned in the I/O area.

Usage

RCMD lets an AO application retrieve the second and subsequent command response segments resulting from an ICMD call.

Related reading: For more information on the AOI exits, see *IMS Version 15.5 Exit Routines*.

RCMD is also supported from a CPI-C driven application program.

Table 52. RCMD support by application region type

Application region type	IMS environment		
	DBCTL	DB/DC	DCCTL
DRA thread	Yes	Yes	N/A
BMP (nonmessage-driven)	Yes	Yes	Yes
BMP (message-driven)	N/A	Yes	Yes
MPP	N/A	Yes	Yes
IFP	N/A	Yes	Yes

RCMD retrieves only one response segment at a time. If you need additional response segments, you must issue RCMD once for each response segment issued by IMS.

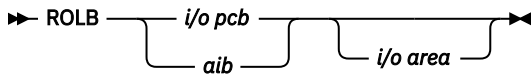
Restrictions

An ICMD call must be issued before an RCMD call.

ROLB call

The Rollback (ROLB) call backs out messages sent by the application program.

Format



Call Name	DB/DC	DBCTL	DCCTL	DB Batch	TM Batch
ROLB	X	X	X	X	X

Parameters

i/o pcb

Specifies the I/O PCB, the first PCB address in the list passed to the program. This parameter is an input and output parameter.

aib

Specifies the application interface block (AIB) that is used for the call. This parameter is an input and output parameter.

The following fields must be initialized in the AIB:

AIBID

Eye catcher. This 8-byte field must contain DFSAIBbb.

AIBLEN

AIB lengths. This field must contain the actual length of the AIB that the application program obtained.

AIBRSNM1

Resource name. This 8-byte, left-justified field must contain the PCB name IOPCBbbb.

AIBOALEN

I/O area length. This field must contain the length of the I/O area that is specified in the call list.

i/o area

An output parameter that specifies the area in your program to which IMS TM returns the first message segment. For conversational transactions the SPA will be the first item returned to the application. Your next GN call will then return the first user segment of the message.

Usage

Issuing a ROLB in a conversational program causes IMS TM to back out the messages that the application program has sent. If the program issues a ROLB call and then reaches a commit point without sending the required response to the originating terminal, IMS TM terminates the conversation and sends the message DFS2171I NO RESPONSE CONVERSATION TERMINATED to the originating terminal.

If your application program has allocated resources that IMS TM cannot roll back, the resources are ignored. For example, if your application program issues CPI-C verbs to allocate resources (for modified DL/I or CPI-C driven programs), ROLB only affects those resources allocated by IMS. Your application must notify any CPI-C conversations that a ROLB call was issued.

For CPI-C driven application programs, all messages inserted to nonexpress alternate PCBs are discarded. Messages inserted to express alternate PCBs are discarded if the PURG call was not issued against the PCB before the ROLB call was issued.

Any application program that uses Spool API functions and creates print data sets can issue the ROLB call. This backs out any print data sets that have not been released to JES.

The following processing considerations apply to modified message-driven IMS applications issuing the IMS ROLB call that can receive protected input messages from OTMA or APPC/MVS and issue outbound protected work to other z/OS Resource Recovery Services (RRS) resource managers:

- If a modified message-driven IMS application program with protected input issues a ROLB call, the ROLB call is isolated to the IMS application without affecting the entire protected unit of work. After the ROLB call is issued, the protected input message remains in process for the IMS application until a commit point is reached.
- If a modified message-driven IMS application program issues an outbound protected conversation, the outbound protected conversation is not included in the ROLB processing (that is, the outbound protected conversation is not backed out as part of the ROLB call). The modified message-driven IMS application program is responsible for explicitly cleaning up any outbound protected work to be backed out.

Restrictions

The AIB must specify the I/O PCB for this call.

Related concepts

[Backing out to a prior commit point: ROLL, ROLB, and ROLS calls \(Application Programming\)](#)

ROLL call

The Roll (ROLL) call backs out output messages sent by a conversational application program and terminates the conversation.

Format

➤ ROLL ➤

Call Name	DB/DC	DBCTL	DCCTL	DB Batch	TM Batch
ROLL	X	X	X	X	X

Parameters

The only parameter required for the ROLL call is the call function.

Usage

IMS terminates the application with a U0778 abend.

If you issue a ROLL call during a conversation, IMS TM backs out the update and cancels output messages. IMS TM also terminates the conversation with a U0778 abend code.

For applications that use the CPI Communications interface, the original transaction is discarded if it is classified by IMS as a discardable transaction.

Any remote LU 6.2 conversation transactions generated by a modified DL/I or CPI-C driven application program are deallocated with TYPE (ABEND_SVC).

Any application program that uses Spool API functions and creates print data sets can issue the ROLL call. This backs out any print data sets that have not been released to JES.

Restrictions

The ROLL call cannot use the AIBTDLI interface.

Related concepts

[Backing out to a prior commit point: ROLL, ROLB, and ROLS calls \(Application Programming\)](#)

Related reference

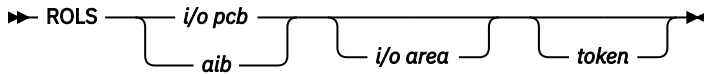
[NDMX: Non-Discardable Messages user exit \(DFSNDMX0 and other NDMX exits\) \(Exit Routines\)](#)

ROLS call

The Roll Back to SETS/SETU (ROLS) call returns message queue positions to sync points established by the SETS/ SETU call.

For more information on the ROLS and SETS/SETU calls, see the topic "Backing out to a Prior Commit Point: ROLL, ROLB, and ROLS Calls" in *IMS Version 15.5 Application Programming*.

Format



Call Name	DB/DC	DBCTL	DCCTL	DB Batch	TM Batch
ROLS	X	X	X	X	X

Parameters

i/o pcb

Specifies the I/O PCB, the first PCB address in the list passed to the program. This parameter is an input and output parameter.

aib

Specifies the application interface block (AIB) that is used for the call. This parameter is an input and output parameter.

The following fields must be initialized in the AIB:

AIBID

Eye catcher. This 8-byte field must contain DFSAIBbb.

AIBLEN

AIB lengths. This field must contain the actual length of the AIB that the application program obtained.

AIBRSNM1

Resource name. This 8-byte, left-justified field must contain the PCB name IOPCBbbb.

AIBOALEN

I/O area length. This field must contain the length of the I/O area that is specified in the call list.

i/o area

Specifies the I/O area. It has the same format as the I/O area supplied on the SETS/SETU call. This parameter is an output parameter.

token

Specifies the name of the area in your program that contains a 4-byte identifier. This parameter is an input parameter.

Usage

Issuing a ROLS in a conversational program causes IMS TM to back out the messages that the application program has sent. For conversation transactions, this means that if the program issues a ROLS call and then reaches a commit point without sending the required response to the originating terminal, IMS TM terminates the conversation and sends the message DFS21711 NO RESPONSE, CONVERSATION TERMINATED to the originating terminal.

When you issue a ROLS call with a token and the messages to be rolled back include nonexpress messages that are processed by IMS TM, message queue repositioning might occur. The repositioning can include the initial message segment, and the original input transaction can be presented again to the IMS TM application program.

Input and output positioning is determined by the SETS/SETU call in standard and modified DL/I application programs. Input and output positioning does not apply to CPI-C driven application programs.

The application program must notify any remote transaction programs of the ROLS.

On a ROLS without a token, IMS issues the APPC/MVS verb, ATBCMTP TYPE(ABEND), specifying the transaction program instance (TPI). This causes all conversations associated with the application program to be DEALLOCATED TYPE(ABEND_SVC). If the original transaction was entered from an LU 6.2 device and IMS TM received the message from APPC/MVS, a discardable transaction is discarded. Nondiscardable transactions are placed on the suspend queue.

Related reading: For more information on LU 6.2, see *IMS Version 15.5 Communications and Connections*.

Restrictions

When ROLS is issued during a conversational application program that includes resources outside of IMS TM (for example, a CPI-C driven application program), only the IMS TM resources are rolled back. The application program notifies the remote transactions of the ROLS call.

The Spool API functions do not restrict the use of the SETS/SETU and ROLS calls because these calls can be used by the application program outside the processing of print data sets. When these commands are issued, the Spool API takes no action because these commands cannot be used for the partial backout of print data sets. No special status codes are returned to the application program to indicate that the SETS/SETU or ROLS call was issued by an application that is using Spool API.

The ROLS call is not valid when the PSB contains a DEDB or MSDB PCB, or when the call is made to a DB2 database.

Related reference

“SETS/SETU call” on page 148

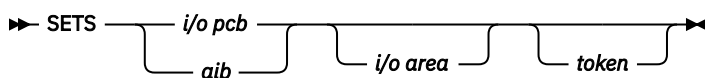
The Set Backout Point (SETS) call is used to set an intermediate backout point or to cancel all existing backout points.

SETS/SETU call

The Set Backout Point (SETS) call is used to set an intermediate backout point or to cancel all existing backout points.

The Set Unconditional (SETU) call operates like the SETS call except that the SETU call is not rejected if unsupported PCBs are in the PSB or if the program uses an external subsystem.

Format



Call Name	DB/DC	DBCTL	DCCTL	DB Batch	TM Batch
SETS/SETU	X	X	X	X	X

Parameters

i/o pcb

Specifies the I/O PCB, the first PCB address in the list passed to the program. This parameter is an input and output parameter.

aib

Specifies the application interface block (AIB) that is used for the call. This parameter is an input and output parameter.

The following fields must be initialized in the AIB:

AIBID

Eye catcher. This 8-byte field must contain DFSAIBbb.

AIBLEN

AIB lengths. This field must contain the actual length of the AIB that the application program obtained.

AIBRSNM1

Resource name. This 8-byte, left-justified field must contain the PCB name IOPCBbbb.

AIBOALEN

I/O area length. This field must contain the length of the I/O area that is specified in the call list.

i/o area

Specifies the area in your program that contains the data that is to be kept by IMS and returned on the corresponding ROLS call. This parameter is an input parameter.

token

Specifies the name of the area in your program that contains a 4-byte identifier. This parameter is an input parameter.

Usage

Except for the call names themselves, the SETS and SETU format and parameters are the same.

The SETS and SETU calls provide the backout points that IMS uses in the ROLS call. The ROLS call operates consistent with the SETS and SETU call backout points.

The meaning of the SC status code for SETS or SETU is as follows:

SETS

The SETS call is rejected. The SC status code in the I/O PCB indicates that either the PSB contains unsupported options or the application program made calls to an external subsystem.

SETU

The SETU call is not rejected. The SC status code indicates that unsupported PCBs exist in the PSB or the application made calls to an external subsystem.

Restrictions

The SETS call is not valid when the PSB contains a DEDB or MSDB PCB, or when the call is made to a DB2 database.

CPI-C driven transaction programs cannot issue the SETS/SETU call.

The Spool API functions do not restrict the use of the SETS/SETU and ROLS calls. This is so, because these calls can be used by the application outside the processing of print data sets. When these commands are issued, the Spool API takes no action because these commands cannot be used for the partial backout of print data sets.

Before a ROLS call, you can specify a maximum of 255 SETS calls with the same token and still back out to the correct message level. After 255 SETS calls, the messages continue to back out, but only to the same message level as at 255th SETS call. The SETS token count resets to zero during sync point processing.

You may specify a maximum of 255 SETS calls with the same token before a ROLS call and still be able to back out to the correct message level. After 255 SETS calls, the messages will continue to back out to the same message level as at 255th SETS call. The SETS token count is reset to zero during sync point processing.

Related reference

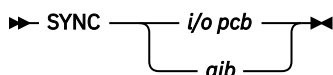
“ROLS call” on page 147

The Roll Back to SETS/SETU (ROLS) call returns message queue positions to sync points established by the SETS/ SETU call.

SYNC call

The Synchronization Point (SYNC) call is used to request commit point processing.

Format



Call Name	DB/DC	DBCTL	DCCTL	DB Batch	TM Batch
SYNC	X	X	X		

Parameters

i/o pcb

Specifies the I/O PCB, the first PCB address in the list passed to the program. This parameter is an input and output parameter.

aib

Specifies the application interface block (AIB) that is used for the call. This parameter is an input and output parameter.

The following fields must be initialized in the AIB:

AIBID

Eye catcher. This 8-byte field must contain DFSAIBbb.

AIBLEN

AIB lengths. This field must contain the actual length of the AIB that the application program obtained.

AIBRSNM1

Resource name. This 8-byte, left-justified field must contain the PCB name IOPCBbbb.

Usage

Issue the SYNC call to request that IMS TM process the application program with commit points for the application program.

Restrictions

The SYNC call is valid only in batch-oriented BMPs.

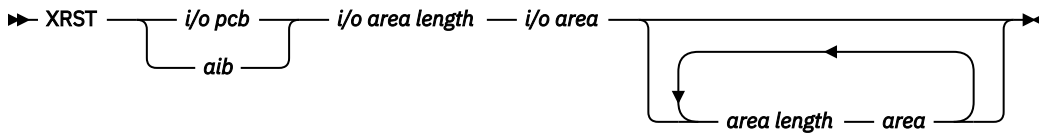
You cannot issue a SYNC call from a CPI Communications driven application program.

XRST call

The Extended Restart (XRST) call is used to restart your program.

If you use the symbolic Checkpoint call in your program, you must use the XRST call.

Format



Call Name	DB/DC	DBCTL	DCCTL	DB Batch	TM Batch
XRST	X	X	X	X	X

Parameters

i/o pcb

Specifies the I/O PCB, the first PCB address in the list passed to the program. This parameter is an input and output parameter.

aib

Specifies the application interface block (AIB) that is used for the call. This parameter is an input and output parameter.

The following fields must be initialized in the AIB:

AIBID

Eye catcher. This 8-byte field must contain DFSAIBbb.

AIBLEN

AIB lengths. This field must contain the actual length of the AIB that the application program obtained.

AIBRSNM1

Resource name. This 8-byte, left-justified field must contain the PCB name IOPCBbb.

AIBOALEN

I/O area length. This field must contain the length of the I/O area that is specified in the call list. This parameter is not used during the XRST call. For compatibility reasons, this parameter must still be coded.

i/o area length

This parameter is no longer used by IMS. For compatibility reasons, this parameter must still be included in the call, and it must contain a valid address. You can get a valid address by specifying the name of any area in your program.

i/o area

Specifies a 14-byte area in your program. This area must be either set to blanks if you are starting your program normally or, if you are performing an extended restart, have a checkpoint ID.

area length

Specifies a 4-byte field in your program containing the length (in binary) of an area to restore. This input parameter is optional. You can specify up to seven area lengths. For each area length, you must also specify the area parameter. The number of areas you specify on a XRST call must be less than or equal to the number of areas you specify on the CHKP calls the program issues. When you restart the program, IMS TM restores only the areas you specified in the CHKP call.

area

Specifies the area in your program that you want IMS TM to restore. You can specify up to seven areas. Each area specified must be preceded by an *area length* value. This parameter is an input parameter.

Usage

Programs that want to issue Symbolic Checkpoint calls (CHKP) must also issue the Extended Restart call (XRST). The XRST call must be issued only once and should be issued early in the execution of the program. It does not need to be the first call in the program. However, it must precede any CHKP call. Any Database calls issued before the XRST call are not within the scope of a restart.

IMS determines whether to perform a normal start or a restart based on the I/O area provided by the XRST call or CKPTID= value in the PARM field on the EXEC statement in your program's JCL.

Starting your program normally

When you are starting your program normally, the I/O area pointed to in the XRST call must contain blanks and the CKPTID= value in the PARM field must be nulls. This indicates to IMS that subsequent CHKP calls are symbolic checkpoints rather than basic checkpoints. Your program should test the I/O area after issuing the XRST call. IMS does not change the area when you are starting the program normally.

Restarting your program

You can restart the program from a symbolic checkpoint taken during a previous execution of the program. The checkpoint used to perform the restart can be identified by entering the checkpoint ID either in the I/O area pointed to by the XRST call (leftmost justified, with the rest of the area containing blanks) or by specifying the ID in the CKPTID= field of the PARM= parameter on the EXEC statement in your program's JCL. (If you supply both, IMS uses the CKPTID= value specified in the parameter field of the EXEC statement.)

The ID specified can be:

- A 1 to 8-character extended checkpoint ID.
- A 14-character "time stamp" ID from message DFS05401, where:
 - IIII is the region ID.
 - DDD is the day of the year.
 - HHMMSST is the time in hours, minutes, seconds, and tenth of a second.
- The 4-character constant "LAST". (BMPs only: this indicates to IMS that the last completed checkpoint issued by the BMP will be used for restarting the program.)

The system message DFS05401 supplies the checkpoint ID and the time stamp.

The system message DFS6821 supplies the checkpoint ID of the last completed checkpoint which can be used to restart a batch program or batch message processing program (BMP) that was abnormally terminated.

If the program being restarted is in a DL/I batch region, the IMSLOGR DD statement that defines the log data set must be supplied in the JCL. IMS reads these data sets and searches for the checkpoint records that have the ID that was specified.

However, if the program being restarted is in a BMP region and all of the following conditions are met, an IMSLOGR DD statement is not required:

- The BMP program is restarted with CKPTID=LAST.
- The BMP program is restarted on the same IMS system with the same job name, same PSB, and same program name that was used when it abended.
- IMS has not been cold-started since the BMP program abended.
- The checkpoint records that are needed to restart the program are on an OLDS data set that has not been archived and reused since the time of the abend, or the SLDSREAD logger function is active in IMS.

If any of the preceding conditions are not met, you must supply an IMSLOGR DD statement that points to the data set that contains the required checkpoint records.

If an IMSLOGR DD statement is supplied, it must contain the required checkpoint log records. IMS does not automatically locate and retrieve checkpoint records for a BMP if an IMSLOGR DD statement is present. Only the IMSLOGR DD data set is searched and, if the record is not found, the BMP program terminates with abend U0102.

Note: A DD DUMMY statement is permissible for an IMSLOGR DD statement and is treated as if no IMSLOGR DD statement was supplied.

At the completion of the XRST call, the I/O area always contains the 8-character checkpoint ID used for the restart. An exception exists when the checkpoint ID is equal to 8 blank characters; the I/O area then contains a 14-character time stamp (IIIIDDDHHMMSST).

Also check the status code in the I/O PCB. The only successful status code for an XRST call are blanks.

Restrictions

If your program is being started normally, the first 5 bytes of the I/O area must be set to blanks.

If your program is restarted and the CKPTID= value in the PARM field of the EXEC statement is not used, then the rightmost bytes beyond the checkpoint ID being used in the I/O area must be set to blanks.

The XRST call is allowed only from Batch and BMP applications.

Related reference

“CHKP (symbolic) call” on page 118

A symbolic Checkpoint (CHKP) call is used for recovery purposes.

EXEC DLI commands

The EXEC DLI commands are the only commands that are allowed for EXEC DLI. These commands can be used to read and update DL/I databases with a batch program, a BMP region (running DBCTL or DB/DC), or a CICS program using DBCTL.

System service commands

The following system service commands require that you first issue the SCHED command with the SYSSERVE keyword:

- ACCEPT command
- DEQ command
- LOG command
- QUERY command
- REFRESH command
- ROLS command
- SETS command
- SETU command
- STAT command

The following system service commands are valid in batch or BMP regions or programs without first issuing the SCHED command with the SYSSERVE keyword:

- CHKP command
- ROLB command
- ROLL command
- SYMCHKP command
- XRST command

The following system service commands are valid in an online CICS program using DBCTL:

- ACCEPT
- DEQ
- LOG
- QUERY
- REFRESH
- ROLS
- SETS
- STAT

To issue system service commands, the input/output PCB (I/O PCB) is required.

The examples in the following topics use the PL/I delimiter. Code the commands in free form: Where keywords, operands, and parameters are shown separated by commas, no blanks can appear immediately before or after the comma. Where keywords, operands, and parameters are shown separated by blanks, you can include as many blanks as you want. The format of the commands is the same for users of COBOL, PL/I, or assembler language.

Related reference

[“DL/I calls for IMS TM system services” on page 113](#)

Use these DL/I calls with IMS Transaction Manager system services.

[“DL/I calls for IMS DB system services” on page 30](#)

Use these DL/I calls to obtain IMS DB system services.

[“DL/I calls for database management” on page 1](#)

Use these DL/I calls with IMS DB to perform database management functions in your application program.

[“DL/I calls for transaction management” on page 74](#)

Use these DL/I calls with IMS TM to perform transaction management functions in your application programs.

[PCBs and PSB \(Application Programming\)](#)

Summary of EXEC DLI commands

A summary of all the EXEC DLI commands is provided in the following table.

The table lists the EXEC DLI commands and specifies if they are valid in the Batch, Batch-Oriented BMP, or CICS with DBCTL environment.

Table 53. Summary of EXEC DLI commands

Request Type	Program Characteristics		
	Batch	Batch- Oriented BMP	CICS with DBCTL ¹
ACCEPT command ⁴	Yes	Yes	Yes
CHKP command ⁴	Yes	Yes	No
DEQ command ⁴	Yes	Yes	Yes
DLET command ⁴	Yes	Yes	Yes
Get commands (GU, GHU, GN, GHN, GNP, GHNP) ⁴	Yes	Yes	Yes
GMSG command ⁵	No	Yes	Yes
ICMD command ⁵	No	Yes	Yes
ISRT command ⁵	Yes	Yes	Yes
LOAD command	Yes	No	No
LOG command ⁴	Yes	Yes	Yes
POS command ⁴	No	Yes	Yes
QUERY command ⁴	Yes	Yes	Yes
RCMD command ⁵	No	Yes	Yes
REFRESH command ⁴	Yes	Yes	Yes
REPL command ⁴	Yes	Yes	Yes

When you issue a CHKP command, you specify the ID for the checkpoint. You can supply either the name of a data area in your program that contains the ID, or you can supply the actual ID, enclosed in single quotes.

Examples

```
EXEC DLI CHKP ID(chkpid);
```

```
EXEC DLI CHKP ID('CHKP0007');
```

Explanation

These examples show how to specify the CHKP command.

Restrictions

Restrictions for the CHKP command:

- You cannot use this command in a CICS program.
- You must first define an I/O PCB for your program before you can use the CHKP command.
- You cannot reestablish position in the midst of nonunique keys or nonkeyed segments.

DEQ command

The Dequeue (DEQ) command is used to release a segment that is retrieved with the LOCKCLASS option.

Format

```
➤ EXEC — DLI — DEQ — LOCKCLASS( data_value ) —◀
```

Option

LOCKCLASS(data_value)

Specifies that you want to release the lock that is being held as the result of an earlier GU, GN, or GNP command that had a LOCKCLASS option with the same data_value. Data_value must be a 1-byte alphabetic character in the range of B to J.

For full function, specify the LOCKCLASS option followed by the lock class of that segment (for example, LOCKCLASS('B')). If the option is not followed by a letter (B-J), EXEC DLI sets a status code of GL and initiates an ABENDU1041.

DEQ commands are not supported for Fast Path.

Usage

Use the DEQ command to release locks on segments that were retrieved using the LOCKCLASS option. Using LOCKCLASS on Get commands allows you to reserve segments for exclusive use by your transaction. No other transaction is allowed to update these reserved segments until either your transaction reaches a sync point or the DEQ command has been issued, thereby releasing the locks on these reserved segments. The LOCKCLASS option lets your application program leave these segments and retrieve them later without any changes having been added.

Example

Your program can use the LOCKCLASS option as follows:

```
EXEC DLI DEQ LOCKCLASS(data_value)
EXEC DLI GU SEGMENT(PARTX)
      SEGMENT(ITEM1) LOCKCLASS('B') INTO(PTAREA1);
```

```
EXEC DLI GU SEGMENT(PARTX)
      SEGMENT(ITEM2) LOCKCLASS('C') INTO(PTAREA2);
EXEC DLI DEQ LOCKCLASS('B');
```

Explanation

This example shows the format of the DEQ command, where `data_value` is a 1-byte alphabetic character in the range B to J. The DEQ command releases the lock that was gotten and held with a LOCKCLASS of 'B' for the PARTX segment as a result of the first GU. The lock that was gotten with a LOCKCLASS of 'C' on the PARTX segment during the second GU remains held.

Restriction

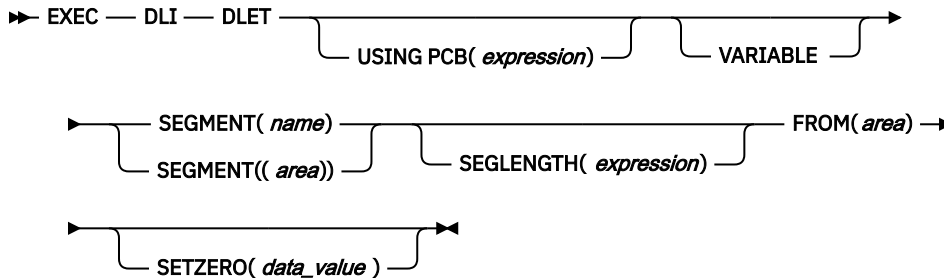
Restrictions for the DEQ command:

- To use this command you must first define an I/O PCB for your program.

DLET command

The Delete (DLET) command is used to remove a segment and its dependents from the database.

Format



Options

USING PCB(expression)

Specifies the DB PCB you want to use for the command. Its argument can be any expression that converts to the integer data type; you can specify either a number or a reference to a halfword in your program containing a number.

VARIABLE

Indicates that a segment is variable-length.

SEGMENT(name)

Qualifies the command, specifying the name of the segment type you want to retrieve, insert, delete, or replace.

SEGMENT((area))

Is a reference to an area in your program containing the name of the segment type. You can specify an area instead of specifying the name of the segment in the command.

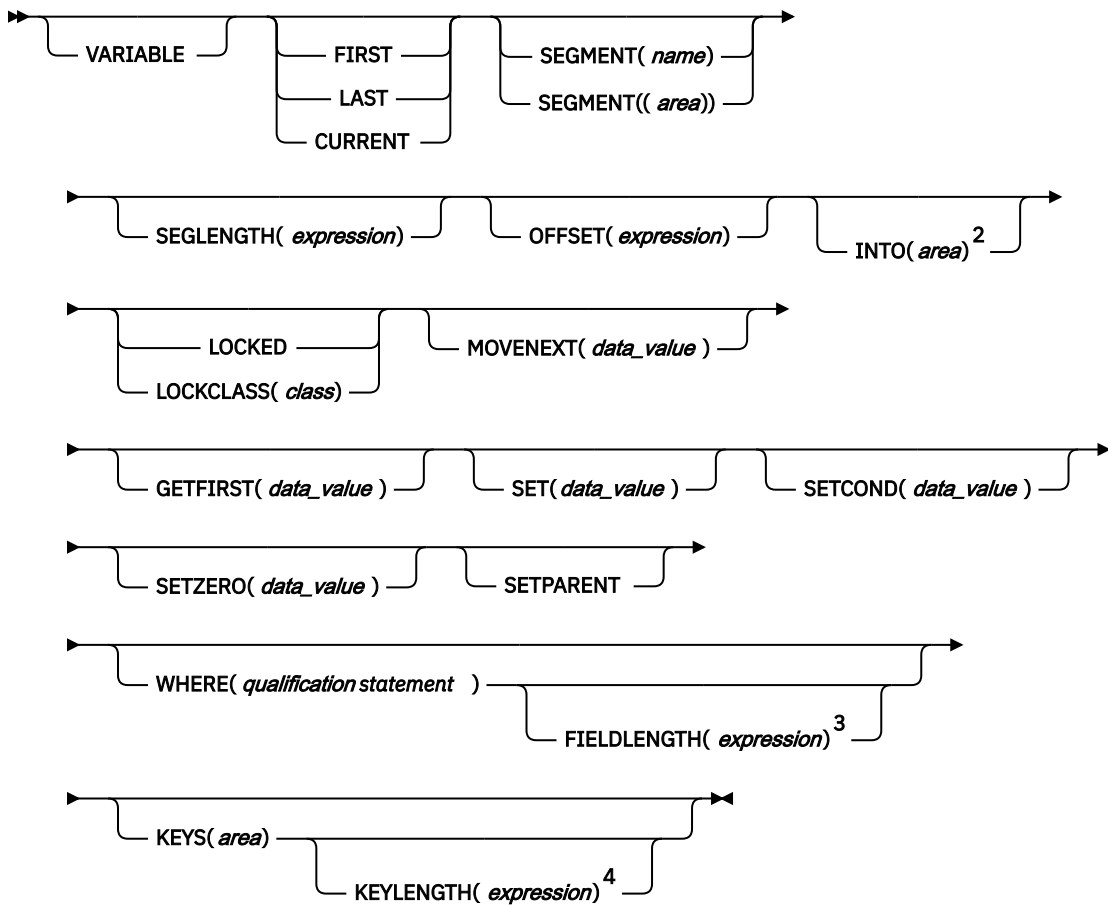
SEGLENGTH(expression)

Specifies the length of the I/O area into which the segment is retrieved. Its argument can be any expression that converts to the integer data type; you can specify either a number or a reference to a halfword in your program containing a number. (It is required in COBOL programs for any SEGMENT level that specifies the INTO or FROM option.)

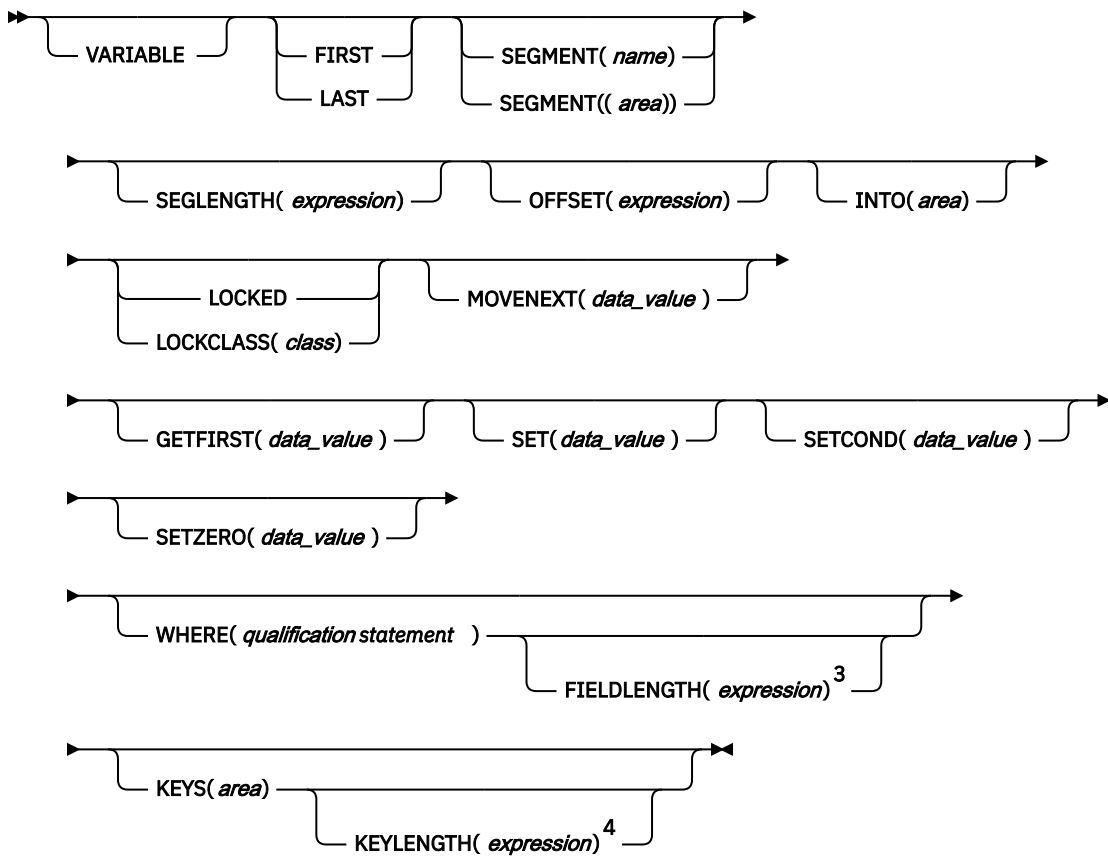
Requirement: The value specified for SEGLENGTH must be greater than or equal to the length of the longest segment that can be processed by this call.

FROM(area)

Specifies an area containing the segment to be added, replaced, or deleted. Use FROM to insert one or more segments with one command.



B For the object segment (optional)



Notes:

- ¹ If you leave out the SEGMENT option, specify the INTO option as shown.
- ² Specify INTO on parent segments for a path command.
- ³ If you use multiple qualification statements, specify a length for each, using FIELDLENGTH. For example: **FIELDLENGTH(24,8)**
- ⁴ You can use either the KEYS option or the WHERE option, but not both on one segment level.

Options

USING PCB(expression)

Specifies the DB PCB you want to use for the command. Its argument can be any expression that converts to the integer data type; you can specify either a number or a reference to a halfword in your program containing a number.

KEYFEEDBACK(area)

Specifies an area into which the concatenated key for the segment is placed. If the area is not long enough, the key is truncated.

FEEDBACKLEN(expression)

Specifies the length of the key feedback area into which you want the concatenated key retrieved. Its argument can be any expression that converts to the integer data type; you can specify either a number or a reference to a halfword in your program containing a number. (It is required in COBOL programs and optional in PL/I and assembler language programs.)

INTO(area)

Specifies an area into which the segment is read.

VARIABLE

Indicates that a segment is variable-length.

FIRST

Specifies that you want to retrieve the first segment occurrence of a segment type, or that you want to insert a segment as the first occurrence.

LAST

Specifies that you want to retrieve the last segment occurrence of a segment type, or that you want to insert a segment as the last segment occurrence.

CURRENT

Qualifies the command, and specifies that you want to use the level of and levels above the current position as qualifications for this segment.

SEGMENT(name), SEGMENT((area))

Qualifies the command, specifying the name of the segment type or the area of your program containing the name of the segment type that you want to retrieve.

You can have as many levels of qualification for a GN command as there are levels in the database's hierarchy. Using fully qualified commands with the WHERE or KEYS option clearly identifies the hierarchical path and the segment you want, and is useful in documenting the command. However, you do not need to qualify a GN command, because you can specify a GN command without the SEGMENT option.

Once you have established position in the database record, issuing a GN command without a SEGMENT option retrieves the next segment occurrence in sequential order.

If you specify a SEGMENT option without a KEYS or WHERE option, IMS DB retrieves the first occurrence of that segment type it encounters by searching forward from current position. With an unqualified GN command, the segment type you retrieve might not be the one you expected, so you should specify an I/O area large enough to contain the largest segment your program has access to. (After successfully issuing a retrieval command, you can find out from the DIB the segment type retrieved.)

If you fully qualify your command with a WHERE or KEYS option, you would retrieve the next segment in sequential order, as described by the options.

Including the WHERE or KEYS options for parent segments defines the segment occurrences that are to be part of the path to the segment you want retrieved. Omitting the SEGMENT option for a level, or including only the SEGMENT option without a WHERE option, indicates that any path to the option satisfies the command. DL/I uses only the qualified parent segments and the lowest-level SEGMENT option to satisfy the command. DL/I does not assume a qualification for the missing level.

SEGLength(expression)

Specifies the length of the I/O area into which the segment is retrieved. Its argument can be any expression that converts to the integer data type; you can specify either a number or a reference to a halfword in your program containing a number. (It is required in COBOL programs for any SEGMENT level that specifies the INTO or FROM option.)

Requirement: The value specified for SEGLength must be greater than or equal to the length of the longest segment that can be processed by this call.

OFFSET(expression)

Specifies the offset to the destination parent. It can be any expression that converts to the integer data type; you can specify either a number or a reference to a halfword in your program containing a number. Use OFFSET when you process concatenated segments in logical relationships. OFFSET is required whenever the destination parent is a variable-length segment.

LOCKED

Specifies that you want to retrieve a segment for the exclusive use of your program, until a checkpoint or sync point is reached. This option performs the same function as the Q command code, and it applies to both Fast Path and full function. A 1-byte alphabetic character of 'A' is automatically appended as the class for the Q command code.

LOCKCLASS(class)

Specifies that you want to retrieve a segment for the exclusive use of your program until a DEQ command is issued or until a checkpoint or sync point is reached. (DEQ commands are not supported for Fast Path.) Class is a 1-byte alphabetic character (B-J), representing the lock class of the retrieved segment.

For full-function code, the LOCKCLASS option followed by a letter (B-J) designates the class of the lock for the segment. An example is LOCKCLASS(' B '). If LOCKCLASS is not followed by a letter in the range B to J, then EXECCLI sets a status code of GL and initiates an ABENDU1041.

Fast Path does not support LOCKCLASS but, for consistency between full function and Fast Path, you must specify LOCKCLASS(' x '), where x is a letter in the range B to J. An example is LOCKCLASS(' B '). If LOCKCLASS is not followed by a letter in the range B to J, then EXECCLI sets a status code of GL and initiates an ABENDU1041.

MOVENEXT(data_value)

Specifies a subset pointer to be moved to the next segment occurrence after your current segment.

GETFIRST(data_value)

Specifies that you want the search to start with the first segment occurrence in a subset.

SET(data_value)

Specifies unconditionally setting a subset pointer to the current segment.

SETCOND(data_value)

Specifies conditionally setting a subset pointer to the current segment.

SETZERO(data_value)

Specifies setting a subset pointer to zero.

SETPARENT

Sets parentage at the level you want.

FIELDLENGTH(expression)

Specifies the length of the field value in a WHERE option.

KEYLENGTH(expression)

Specifies the length of the concatenated key when you use the KEYS option. It can be any expression in the host language that converts to the integer data type; if it is a variable, it must be declared as a binary halfword value. For IBM COBOL for z/OS & VM (or VS COBOL II), PL/I, or assembler language, KEYLENGTH is optional. For COBOL programs that are not compiled with the IBM COBOL for z/OS & VM (or the VS COBOL II) compiler, you must specify KEYLENGTH with the KEYS option.

KEYS(area)

Qualifies the command with the segment's concatenated key. You can use either KEYS or WHERE for a segment level, but not both.

"Area" specifies an area in your program containing the segment's concatenated key.

WHERE(qualification statement)

Qualifies the command, specifying the segment occurrence. Its argument is one or more qualification statements, each of which compares the value of a field in a segment to a value you supply. Each qualification statement consists of:

- The name of a field in a segment
- The relational operator, which indicates how you want the two values compared
- The name of a data area in your program containing the value that is compared against the value of the field

Usage

Use the GN command to sequentially retrieve segments from the database. Each time you issue a GN command, IMS DB retrieves the next segment, as described by the options you include in the command. Before issuing a GN command, you should establish position in the database record by issuing a GU command.

You do not have to use a segment option with a GN command. However, you should qualify your GN commands as much as possible with the KEYS or WHERE options after the SEGMENT option.

Examples**Example 1**

"We need a list of all patients who have been to this clinic."

Explanation: To answer this request, your program would issue a command qualified with the segment name PATIENT until DL/I returned a GB status code to the program. (GB means that DL/I reached the end of the database before being able to satisfy your command). This command looks like this:

```
EXEC DLI GN
  SEGMENT(PATIENT) INTO(PATAREA);
```

Each time your program issued this command, the current position moves forward to the next database record.

Example 2

"What are the names of the patients we have seen since the beginning of this month?"

Explanation: A GN command that includes one or more WHERE or KEYS options retrieves the next occurrence of the specified segment type that satisfies the command. To answer this request, the program issues the following GN command until DL/I returned a GB status code. The example shows the command you use at the end of April, 1988 (assuming ILLDATE1 contains 198804010):

```
EXEC DLI GN
  SEGMENT(PATIENT) INTO(PATAREA)
  SEGMENT(ILLNESS) INTO(ILLAREA) WHERE(ILLDATE>=ILLDATE1);
```

Example 3

```
EXEC DLI GN INTO(PATAREA);
```

Explanation: If you just retrieved the PATIENT segment for patient 04124 and then issued this command, you retrieve the first ILLNESS segment for patient 04124.

Restrictions

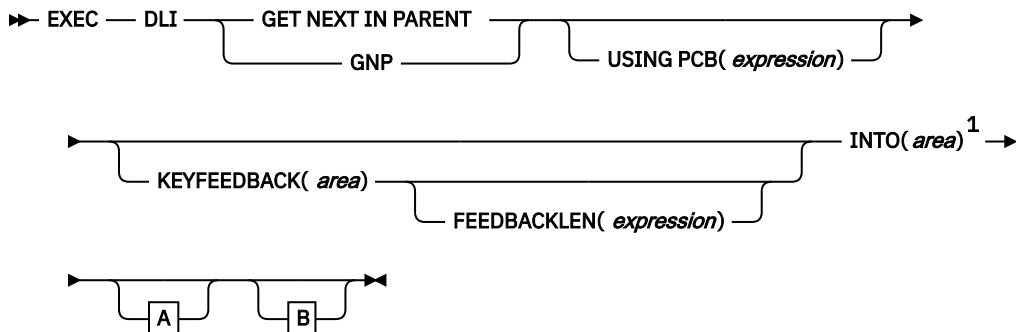
With an unqualified GN command, the retrieved segment type might not be the one expected. Therefore, specify an I/O area large enough to contain the largest segment accessible to your program.

Use either the KEYS option or the WHERE option, but not both on one segment level.

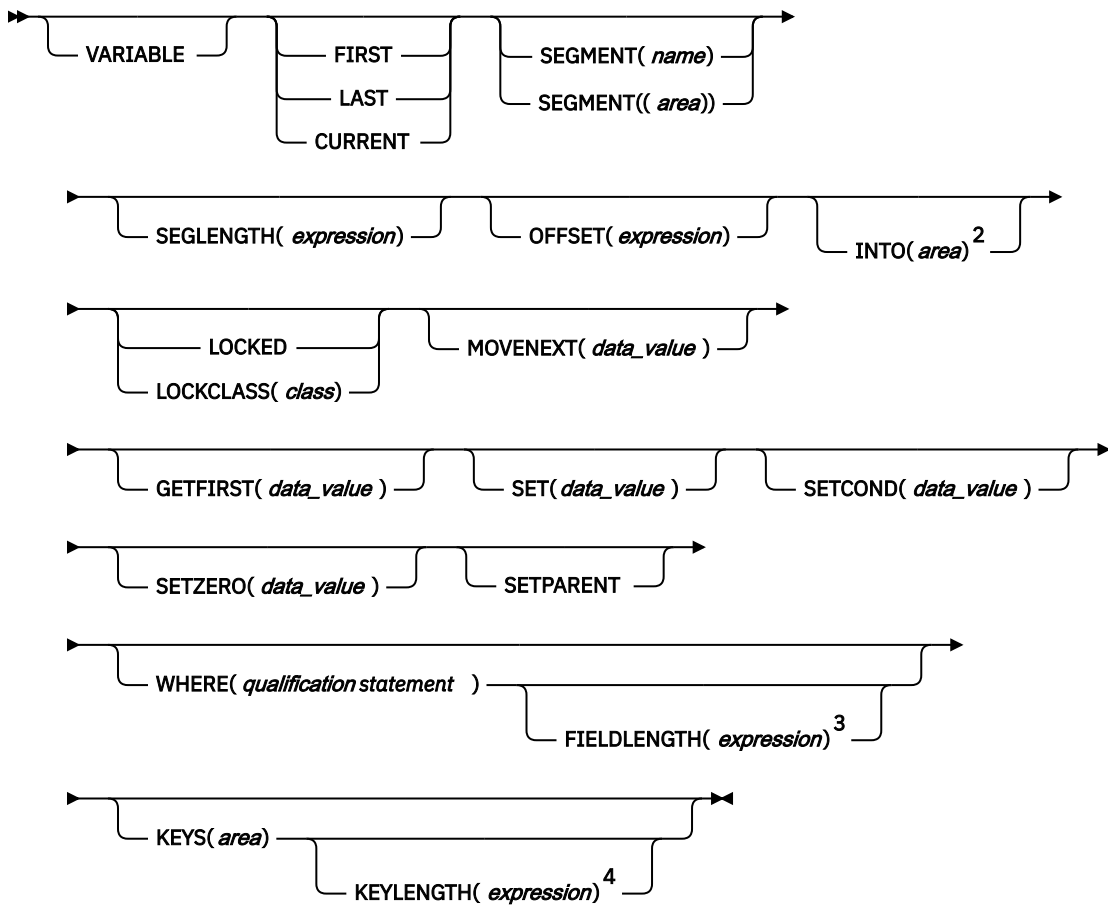
GNP command

The Get Next in Parent (GNP) command is used to retrieve dependent segments sequentially.

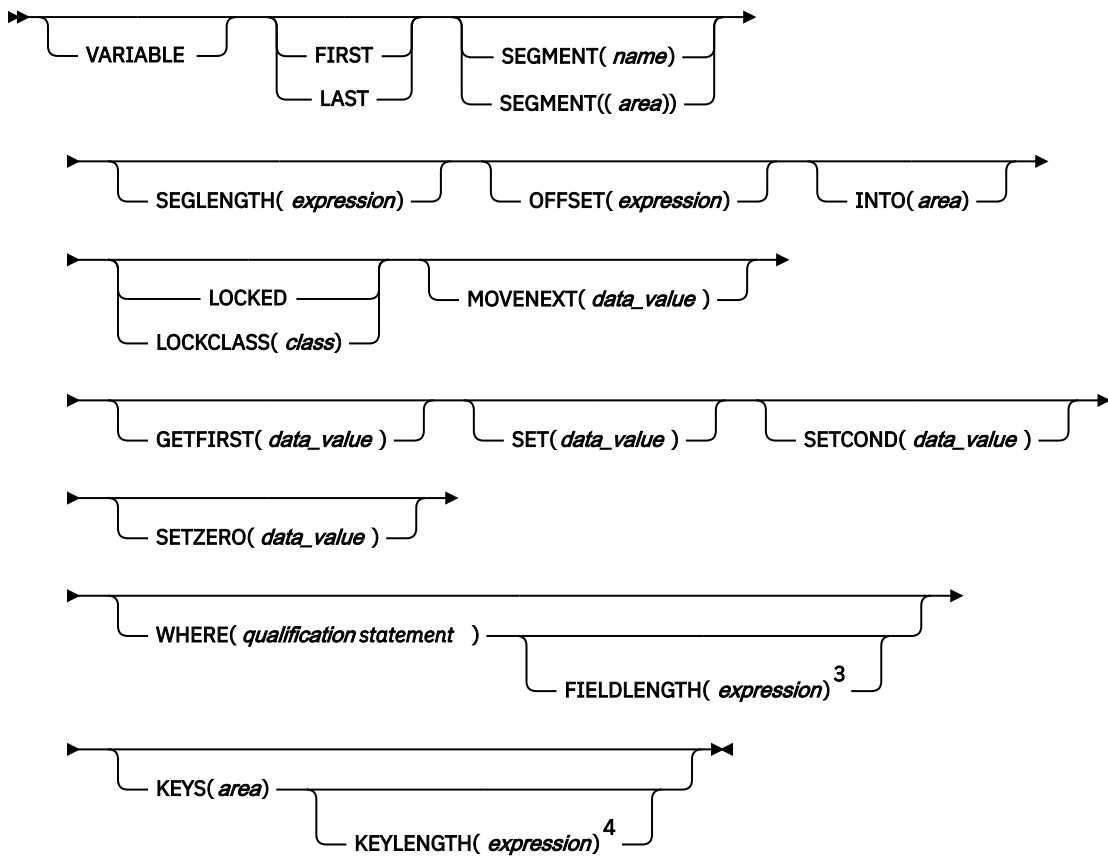
Format



A For each parent segment (optional)



B For the object segment (optional)



Notes:

- ¹ If you leave out the SEGMENT option, specify the INTO option as shown.
- ² Specify INTO on parent segments for a path command.
- ³ If you use multiple qualification statements, specify a length for each, using FIELDLENGTH. For example: **FIELDLENGTH(24,8)**
- ⁴ You can use either the KEYS option or the WHERE option, but not both on one segment level.

Options

You can qualify your GNP command by using SEGMENT and WHERE options.

If you do not qualify your command, IMS DB retrieves the next sequential segment under the established parent. If you include a SEGMENT option, IMS DB retrieves the first occurrence of that segment type that it finds by searching forward under the established parent.

You can have as many levels of qualification for a GNP command as there are levels in the database's hierarchy. However, you should not qualify your command in a way that causes DL/I to move off of the segment type you have established as a parent for the command.

USING PCB(expression)

Specifies the DB PCB you want to use for the command. Its argument can be any expression that converts to the integer data type; you can specify either a number or a reference to a halfword in your program containing a number.

KEYFEEDBACK(area)

Specifies an area into which the concatenated key for the segment is placed. If the area is not long enough, the key is truncated. Use this to retrieve a segment's concatenated key.

FEEDBACKLEN(expression)

Specifies the length of the key feedback area into which you want the concatenated key retrieved. Its argument can be any expression that converts to the integer data type; you can specify either a number or a reference to a halfword in your program containing a number. (It is required in COBOL programs and optional in PL/I and assembler language programs.)

INTO(area)

Specifies an area into which the segment is read. Use this to retrieve one or more segments with one command.

VARIABLE

Indicates that a segment is variable-length.

FIRST

Specifies that you want to retrieve the first segment occurrence of a segment type, or that you want to insert a segment as the first occurrence. Use this to retrieve the first segment occurrence of a segment type.

LAST

Specifies that you want to retrieve the last segment occurrence of a segment type, or that you want to insert a segment as the last segment occurrence. Use this to retrieve the last segment occurrence of a segment type.

CURRENT

Qualifies the command, and specifies that you want to use the level of and levels above the current position as qualifications for this segment. Use this to retrieve a segment based on your current position.

SEGLENGTH(expression)

Specifies the length of the I/O area into which the segment is retrieved. Its argument can be any expression that converts to the integer data type; you can specify either a number or a reference to a halfword in your program containing a number. (SEGLENGTH is required in COBOL programs for any SEGMENT level that specifies the INTO or FROM option.)

Requirement: The value specified for SEGLENGTH must be greater than or equal to the length of the longest segment that can be processed by this call.

OFFSET(expression)

Specifies the offset to the destination parent. The argument can be any expression that converts to the integer data type; you can specify either a number or a reference to a halfword in your program containing a number. Use OFFSET when you process concatenated segments in logical relationships. OFFSET is required whenever the destination parent is a variable-length segment.

LOCKED

Specifies that you want to retrieve a segment for the exclusive use of your program, until a checkpoint or sync point is reached. Use this to reserve a segment for the exclusive use of your program. This option performs the same function as the Q command code, and it applies to both Fast Path and full function. A 1-byte alphabetic character of 'A' is automatically appended as the class for the Q command code.

LOCKCLASS(class)

Specifies that you want to retrieve a segment for the exclusive use of your program until a DEQ command is issued or until a checkpoint or sync point is reached. (DEQ commands are not supported for Fast Path.) Class is a 1-byte alphabetic character (B-J), representing the lock class of the retrieved segment.

For full-function code, the LOCKCLASS option followed by a letter (B-J) designates the class of the lock for the segment. An example is LOCKCLASS(' B '). If LOCKCLASS is not followed by a letter in the range B to J, then EXECCLI sets a status code of GL and initiates an ABENDU1041.

Fast Path does not support LOCKCLASS but, for consistency between full function and Fast Path, you must specify LOCKCLASS(' x '), where x is a letter in the range B to J. An example is LOCKCLASS(' B '). If LOCKCLASS is not followed by a letter in the range B to J, then EXECCLI sets a status code of GL and initiates an ABENDU1041.

MOVENEXT(data_value)

Specifies a subset pointer to be moved to the next segment occurrence after your current segment.

GETFIRST(data_value)

Specifies that you want the search to start with the first segment occurrence in a subset.

SET(data_value)

Specifies unconditionally setting a subset pointer to the current segment.

SETCOND(data_value)

Specifies conditionally setting a subset pointer to the current segment.

SETZERO(data_value)

Specifies setting a subset pointer to zero.

SETPARENT

Sets parentage at the level you want.

WHERE(qualification statement)

Qualifies the command, specifying the segment occurrence. Its argument is one or more qualification statements, each of which compares the value of a field in a segment to a value you supply. Each qualification statement consists of:

- The name of a field in a segment
- The relational operator, which indicates how you want the two values compared
- The name of a data area in your program containing the value that is compared against the value of the field

FIELDLENGTH(expression)

Specifies the length of the field value in a WHERE option.

KEYS(area)

Qualifies the command with the segment's concatenated key. You can use either KEYS or WHERE for a segment level, but not both.

"Area" specifies an area in your program containing the segment's concatenated key.

KEYLENGTH(expression)

Specifies the length of the concatenated key when you use the KEYS option. It can be any expression in the host language that converts to the integer data type; if it is a variable, it must be declared as a binary halfword value. For IBM COBOL for z/OS & VM (or VS COBOL II), PL/I, or assembler language, KEYLENGTH is optional. For COBOL programs that are not compiled with the IBM COBOL for z/OS & VM (or VS COBOL II) compiler, you must specify KEYLENGTH with the KEYS option.

SEGMENT(name), SEGMENT((area))

Qualifies the command, specifying the name of the segment type or the area in your program containing the name of the segment type that you want to retrieve, insert, delete, or replace.

You can have as many levels of qualification for a GNP command as there are levels in the database's hierarchy. Using fully qualified commands with the WHERE or KEYS option clearly identifies the hierarchic path and the segment you want, and is useful in documenting the command. However, you do not need to qualify a GNP command at all, because you can specify a GNP command without the SEGMENT option.

Once you have established position in the database record, issuing a GNP command without a SEGMENT option retrieves the next segment occurrence in sequential order.

If you specify a SEGMENT option without a KEYS or WHERE option, IMS DB retrieves the first occurrence of that segment type it encounters by searching forward from current position. With an unqualified GNP command, the segment type you retrieve might not be the one you expected, so you should specify an I/O area large enough to contain the largest segment your program has access to. (After successfully issuing a retrieval command, you can find out from DIB the segment type retrieved.)

If you fully qualify your command with a WHERE or KEYS option, you would retrieve the next segment in sequential order, as described by the options.

Including the WHERE or KEYS options for parent segments defines the segment occurrences that are to be part of the path to the segment you want retrieved. Omitting the SEGMENT option for a level, or including only the SEGMENT option without a WHERE option, indicates that any path to the option satisfies the command. DL/I uses only the qualified parent segments and the lowest-level SEGMENT option to satisfy the command. DL/I does not assume a qualification for the missing level.

Usage

The Get Next in Parent (GNP) command makes it possible to limit the search for a segment; you can retrieve only the dependents of a particular parent. You must have established parentage before issuing a GNP command.

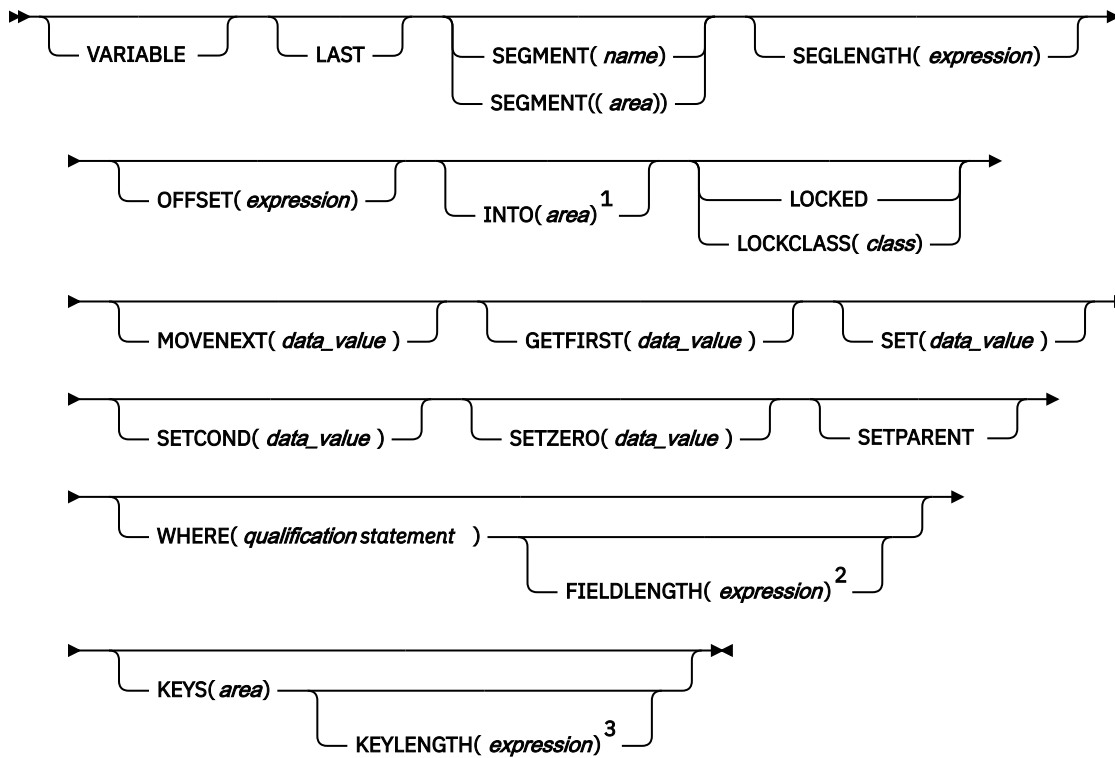
Examples**Example 1**

"We need the complete record for Kate Bailey. Her patient number is 09080."

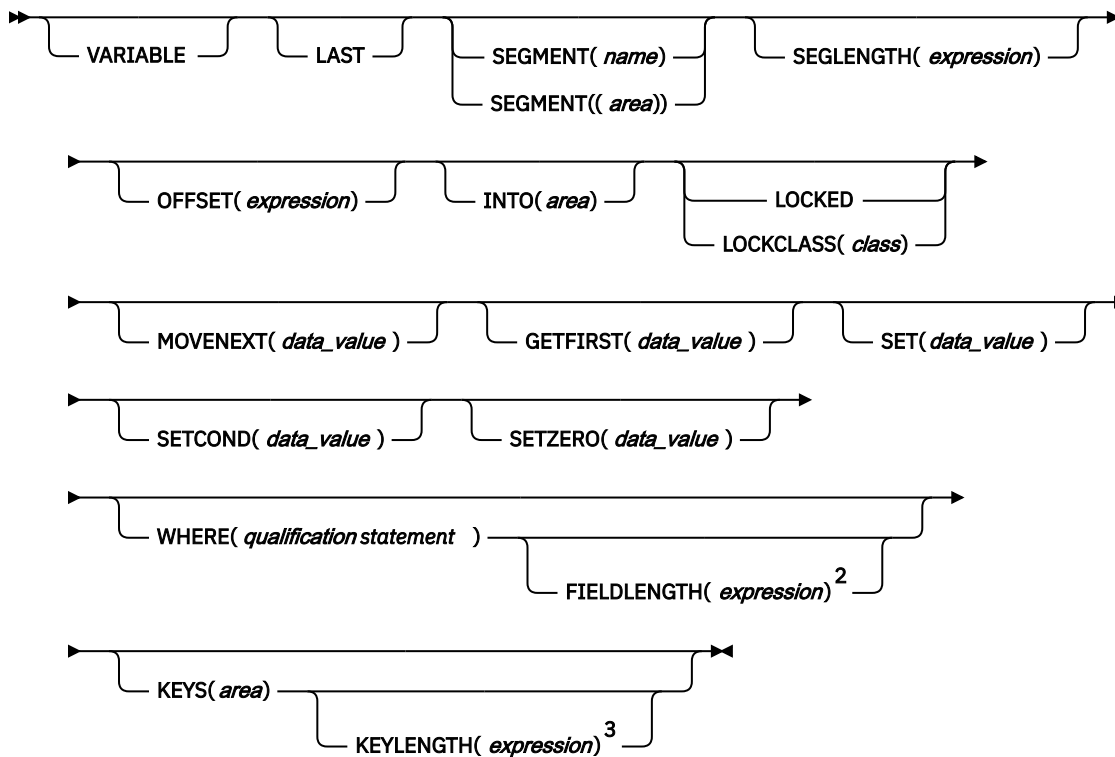
Explanation: To satisfy this request, you want only to retrieve the dependent segments of the patient whose patient number is 09080; you do not want to retrieve all the dependents of each patient. To do this, use the GU command to establish your position and parentage on the PATIENT segment for Kate Bailey. Then continue to issue a GNP without SEGMENT or WHERE options until DL/I returns all the dependents of that PATIENT segment. (A GE status code indicates that you have retrieved all the dependent segments.) To answer this request, your program can issue these commands:

```
EXEC DLI GU
      SEGMENT(PATIENT) INTO(PATAREA)
      WHERE (PATNO=PATNO1);
EXEC DLI GNP
      INTO(ILLAREA);
```

A GNP command without SEGMENT or WHERE options retrieves the first dependent segment occurrence under the current parent. If your current position is already on a dependent of the current parent, this command retrieves the next segment occurrence under the parent.



B



Notes:

- ¹ Specify INTO on parent segments for a path command.
- ² If you use multiple qualification statements, specify a length for each, using FIELDLENGTH. For example: **FIELDLENGTH(24,8)**
- ³ You can use either the KEYS option or the WHERE option, but not both on one segment level.

Options

USING PCB(expression)

Specifies the DB PCB you want to use for the command. Its argument can be any expression that converts to the integer data type; you can specify either a number or a reference to a halfword in your program containing a number.

KEYFEEDBACK(area)

Specifies an area into which the concatenated key for the segment is placed. If the area is not long enough, the key is truncated.

FEEDBACKLEN(expression)

Specifies the length of the key feedback area into which you want the concatenated key retrieved. Its argument can be any expression that converts to the integer data type; you can specify either a number or a reference to a halfword in your program containing a number. (It is required in COBOL programs and optional in PL/I and assembler language programs.)

INTO(area)

Specifies an area into which the segment is read.

VARIABLE

Indicates that a segment is variable-length.

LAST

Specifies that you want to retrieve the last segment occurrence of a segment type, or that you want to insert a segment as the last segment occurrence.

SEGMENT(name), SEGMENT((area))

Qualifies the command, specifying the name of the segment type or the area in your program containing the name of the segment type that you want to retrieve, insert, delete, or replace.

To retrieve the first occurrence of a segment type, you need only specify the SEGMENT option. You can specify as many levels of qualification as there are hierarchic levels defined by the PCB you are using.

To establish position at the beginning of the database, issue a GU command with a SEGMENT option that names the root segment type.

If you leave out SEGMENT options for one or more hierarchic levels, DL/I assumes a segment qualification for that level. The qualification that DL/I assumes depends on your current position.

- If DL/I has a position established at the missing level, DL/I uses the segment on which position is established.
- If DL/I does not have a position established at the missing level, DL/I uses the first occurrence at that level.
- If DL/I moves forward from a position established at a higher level, DL/I uses the first occurrence at the missing level that falls within the new path.
- If you leave out a SEGMENT option for the *root* level, and DL/I has position established on a root, DL/I does not move from that root when trying to satisfy the command.

You can have as many levels of qualification for a GU command as there are levels in the database's hierarchy. Using fully qualified commands with the WHERE or KEYS option clearly identifies the hierarchic path and the segment you want, and is useful in documenting the command. However, you do not need to qualify a GU command at all, because you can specify a GU command without the SEGMENT option.

If you specify a SEGMENT option without a KEYS or WHERE option, IMS DB retrieves the first occurrence of that segment type it encounters by searching forward from current position. With an unqualified GU command, the segment type you retrieve might not be the one you expected, so you should specify an I/O area large enough to contain the largest segment your program has access to. (After successfully issuing a retrieval command, you can find out from DIB the segment type retrieved.)

If you fully qualify your command with a WHERE or KEYS option, you would retrieve the next segment in sequential order, as described by the options.

Including the WHERE or KEYS options for parent segments defines the segment occurrences that are to be part of the path to the segment you want retrieved. Omitting the SEGMENT option for a level, or including only the SEGMENT option without a WHERE option, indicates that any path to the option satisfies the command. DL/I uses only the qualified parent segments and the lowest-level SEGMENT option to satisfy the command. DL/I does not assume a qualification for the missing level.

SEGLENGTH(expression)

Specifies the length of the I/O area into which the segment is retrieved. Its argument can be any expression that converts to the integer data type; you can specify either a number or a reference to a halfword in your program containing a number. (SEGLENGTH is required in COBOL programs for any SEGMENT level that specifies the INTO or FROM option.)

Requirement: The value specified for SEGLENGTH must be greater than or equal to the length of the longest segment that can be processed by this call.

OFFSET(expression)

Specifies the offset to the destination parent. The argument can be any expression that converts to the integer data type; you can specify either a number or a reference to a halfword in your program containing a number. Use OFFSET when you process concatenated segments in logical relationships. OFFSET is required whenever the destination parent is a variable-length segment.

LOCKED

Specifies that you want to retrieve a segment for the exclusive use of your program, until a checkpoint or sync point is reached. This option performs the same function as the Q command code. It applies to both Fast Path and full function. A 1-byte alphabetic character of 'A' is automatically appended as the class for the Q command code.

LOCKCLASS(class)

Specifies that you want to retrieve a segment for the exclusive use of your program until a DEQ command is issued or until a checkpoint or sync point is reached. (DEQ commands are not supported for Fast Path.) Class is a 1-byte alphabetic character (B-J), representing the lock class of the retrieved segment.

For full-function code, the LOCKCLASS option followed by a letter (B-J) designates the class of the lock for the segment. An example is LOCKCLASS(' B '). If LOCKCLASS is not followed by a letter in the range B to J, then EXECCLI sets a status code of GL and initiates an ABENDU1041.

Fast Path does not support LOCKCLASS but, for consistency between full function and Fast Path, you must specify LOCKCLASS(' x '), where x is a letter in the range B to J. An example is LOCKCLASS(' B '). If LOCKCLASS is not followed by a letter in the range B to J, then EXECCLI sets a status code of GL and initiates an ABENDU1041.

MOVENEXT(data_value)

Specifies a subset pointer to be moved to the next segment occurrence after your current segment.

GETFIRST(data_value)

Specifies that you want the search to start with the first segment occurrence in a subset.

SET(data_value)

Specifies unconditionally setting a subset pointer to the current segment.

SETCOND(data_value)

Specifies conditionally setting a subset pointer to the current segment.

SETZERO(data_value)

Specifies setting a subset pointer to zero.

SETPARENT

Sets parentage at the level you want.

FIELDLENGTH(expression)

Specifies the length of the field value in a WHERE option.

KEYLENGTH(expression)

Specifies the length of the concatenated key when you use the KEYS option. The argument can be any expression in the host language that converts to the integer data type; a variable must be declared as a binary halfword value. For IBM COBOL for z/OS & VM (or VS COBOL II), PL/I, or assembler language,

KEYLENGTH is optional. For COBOL programs that are not compiled with the IBM COBOL for z/OS & VM (or VS COBOL II) compiler, you must specify KEYLENGTH with the KEYS option.

WHERE(qualification statement)

Use WHERE to further qualify your GU commands after using SEGMENT. If you fully qualify a GU command, you can retrieve a segment regardless of your position in the database record.

KEYS(area)

Use KEYS to further qualify your GU commands and specify the segment occurrence by using its concatenated key.

If you specify a SEGMENT option without a KEYS or WHERE option, IMS DB retrieves the first occurrence of that segment type it encounters by searching forward from current position. With an unqualified GU command, the segment type you retrieve might not be the one you expected, so you should specify an I/O area large enough to contain the largest segment your program has access to. (After successfully issuing a retrieval command, you can find out from DIB the segment type retrieved.)

If you fully qualify your command with a WHERE or KEYS option, you would retrieve the next segment in sequential order, as described by the options.

Including the WHERE or KEYS options for parent segments defines the segment occurrences that are to be part of the path to the segment you want retrieved. Leaving the SEGMENT option out for a level, or including only the SEGMENT option without a WHERE option, indicates that any path to the option satisfies the command. DL/I uses only the qualified parent segments and the lowest level SEGMENT option to satisfy the command. DL/I does not assume a qualification for the missing level.

Usage

Use the GU command to retrieve specific segments from the database, or to establish a position in the database for sequential processing.

You must at least specify the SEGMENT option with a GU command to indicate the segment type you want to retrieve. (IMS DB retrieves the first occurrence of the segment you named in the SEGMENT argument.)

When you need to retrieve a specific occurrence of a segment type, you can further qualify the command by using the WHERE or KEYS option after the SEGMENT option.

You probably want to further qualify your GU commands with the WHERE or KEYS option, and specify a specific occurrence of a segment type. If you fully qualify a GU command, you can retrieve a segment regardless of your position in the database record.

Examples

Example 1

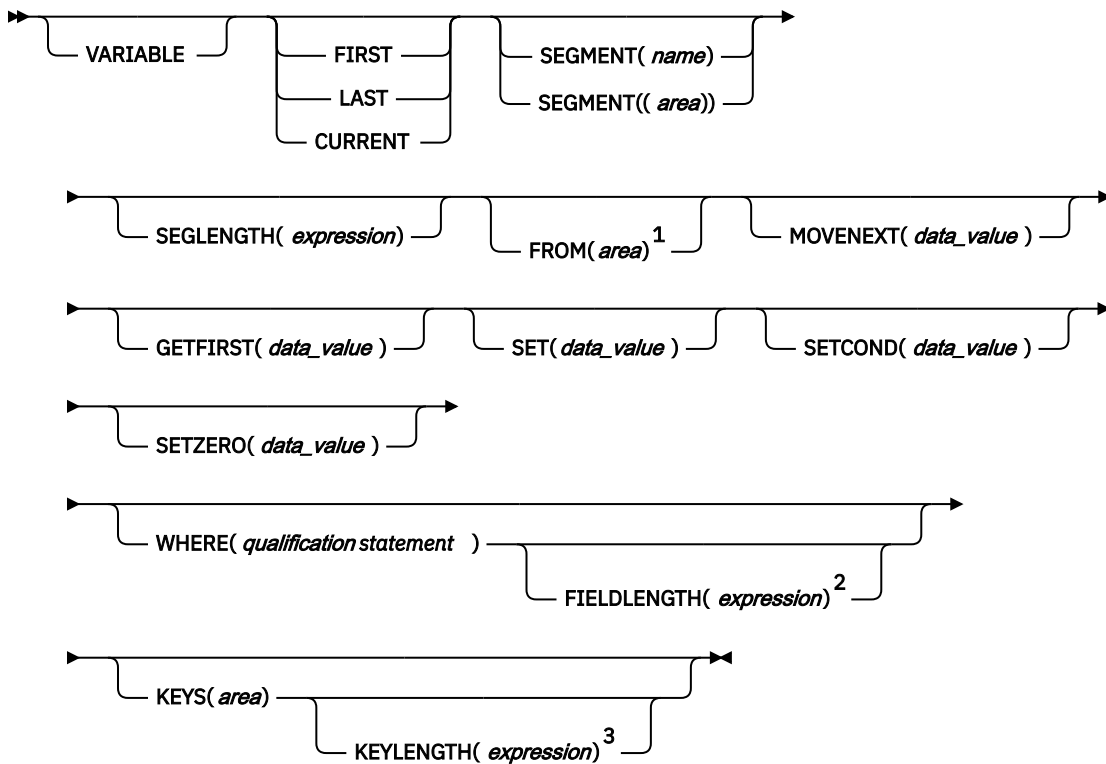
"What illness was Robert James here for most recently? Was he given any medication on that day for that illness? His patient number is 05136."

Explanation: This example requests two pieces of information. To answer the first part of the request and retrieve the most recent ILLNESS segment, issue this GU command (assuming that PATNO1 contains 05163):

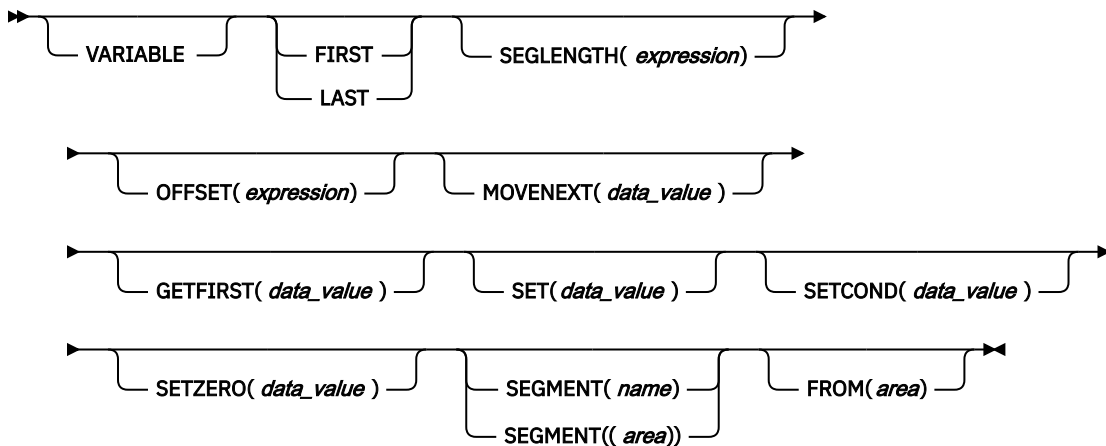
```
EXEC DLI GU
  SEGMENT(PATIENT) WHERE(PATNO=PATNO1)
  SEGMENT(ILLNESS) INTO(AREA);
```

Once you had retrieved the ILLNESS segment with the date of the patient's most recent visit to the clinic, you can issue another command to find out whether he was treated during that visit. If the date of his most recent visit was January 5, 1988, you can issue the following command to find out whether or not he was treated on that day for that illness (assuming PATNO1 contains 05163, and DATE1 contains 19880105):

```
EXEC DLI GU
  SEGMENT(PATIENT) WHERE(PATNO=PATNO1)
```

B For the object segment (required)



Notes:

- ¹ Specify FROM on parent segments for a path command.
- ² If you use multiple qualification statements, specify a length for each, using FIELDLENGTH. For example: **FIELDLENGTH(24,8)**
- ³ You can use either the Keys option or the Where option, but not both on one segment level.

Options

USING PCB(expression)

Specifies the DB PCB you want to use for the command. Its argument can be any expression that converts to the integer data type; you can specify either a number or a reference to a halfword in your program containing a number.

VARIABLE

Indicates that a segment is variable-length.

FIRST

Specifies that you want to retrieve the first segment occurrence of a segment type, or that you want to insert a segment as the first occurrence. Use FIRST to insert a segment as a first occurrence of a segment type.

LAST

Specifies that you want to retrieve the last segment occurrence of a segment type, or that you want to insert a segment as the last segment occurrence. Use LAST to insert a segment as the last occurrence of a segment type.

CURRENT

Qualifies the command, and specifies that you want to use the level of and levels above the current position as qualifications for this segment. Use CURRENT to insert a segment based on your current position.

SEGMENT(name), SEGMENT((area))

Qualifies the command, specifying the name of the segment type or the area in the program containing the name of the segment type that you want to retrieve, insert, delete, or replace.

You must include at least a SEGMENT option for each segment you want to add to the database. Unless ISRT is a path command, the lowest level SEGMENT option specifies the segment being inserted. You cannot use a WHERE or KEYS option for this level.

If a segment has a unique key, DL/I inserts the segment in its key sequence. (If the segment does not have a key, or has a nonunique key, DL/I inserts it according to the value specified for the RULES parameter during DBDGEN.)

If you specify a SEGMENT option for only the lowest level segment, and do not qualify the parent segments with SEGMENT, WHERE, or KEYS options, you must make sure that the current position is at the correct place in the database to insert the segment. The SEGMENT option that DL/I assumes depends on your current position in the database record:

- If DL/I has a position established at the missing level, DL/I uses the segment on which position is established.
- If DL/I does not have a position established at the missing level, DL/I uses the first occurrence at that level.
- If DL/I moves forward from a position established at a higher level, DL/I uses the first occurrence at the missing level that falls within the new path.
- If you leave out a SEGMENT option for the *root* level, and DL/I has position established on a root, DL/I does not move from that root when trying to satisfy the command.

It is good practice to always provide qualifications for higher levels to establish the position of the segment being inserted.

If you are inserting a root segment, you need only specify a SEGMENT option. DL/I determines the correct place for its insertion in the database by the key taken from the I/O area. If the segment you are inserting is not a root segment, but you have just inserted its immediate parent, the segment can be inserted as soon as it is built in the I/O area just by using a SEGMENT option for it in the ISRT command. You need not code the parent level segments to establish your position.

When you specify multiple parent segments, you can mix segments with and without the WHERE option. If you include only SEGMENT options on parent segments, DL/I uses the first occurrence of each segment type to satisfy the command.

SEGLength(expression)

Specifies the length of the I/O area from which the segment is obtained. Its argument can be any expression that converts to the integer data type; you can specify either a number or a reference to a halfword in your program containing a number. (It is required in COBOL programs for any SEGMENT level that specifies the INTO or FROM option.)

Requirement: The value specified for SEGLength must be greater than or equal to the length of the longest segment that can be processed by this call.

FROM(area)

Specifies an area containing the segment to be added, replaced, or deleted. Use FROM to insert one or more segments with one command.

MOVENEXT(data_value)

Specifies a subset pointer to be moved to the next segment occurrence after your current segment.

GETFIRST(data_value)

Specifies that you want the search to start with the first segment occurrence in a subset.

SET(data_value)

Specifies unconditionally setting a subset pointer to the current segment.

SETCOND(data_value)

Specifies conditionally setting a subset pointer to the current segment.

SETZERO(data_value)

Specifies setting a subset pointer to zero.

WHERE(qualification statement)

Qualifies the command, specifying the segment occurrence. Its argument is one or more qualification statements, each of which compares the value of a field in a segment to a value you supply. Each qualification statement consists of:

- The name of a field in a segment
- The relational operator, which indicates how you want the two values compared
- The name of a data area in your program containing the value that is compared against the value of the field

WHERE establishes position on the parents of a segment when you are inserting that segment. You can do this by specifying a qualification of WHERE or KEYS for the higher level SEGMENT options.

When you specify multiple parent segments, you can mix segments with and without the WHERE option. If you include only SEGMENT options on parent segments, DL/I uses the first occurrence of each segment type to satisfy the command.

FIELDLENGTH(expression)

Specifies the length of the field value in a WHERE option.

KEYS(area)

Qualifies the command with the segment's concatenated key. You can use either KEYS or WHERE for a segment level, but not both.

KEYs can be used to qualify a parent segment. Instead of using WHERE, you can specify KEYS and use the concatenated key of the segment as qualification. You can use the KEYS option once for each command, immediately after the highest level SEGMENT option.

"Area" specifies an area in your program containing the segment's concatenated key.

KEYLENGTH(expression)

Specifies the length of the concatenated key when you use the KEYS option. It can be any expression in the host language that converts to the integer data type; if it is a variable, it must be declared as a binary halfword value. For IBM COBOL (or VS COBOL II), PL/I, or assembler language, KEYLENGTH is optional. For COBOL programs that are not compiled with the IBM COBOL for MVS & VM (or VS COBOL II) compiler, you must specify KEYLENGTH with the KEYS option.

Usage

To add new segments to an existing database, use the ISRT command. When you issue the ISRT command, DL/I takes the data from the I/O area you have named in the FROM option and adds the segment to the database. (The initial loading of a database requires using the LOAD command, instead of the ISRT command.)

You can use ISRT to add new occurrences of an existing segment type to a HIDAM, HISAM, or HDAM database. For an HSAM database, you can add new segments only by reprocessing the whole database or by adding the new segments to the end of the database.

Before you can issue the ISRT command to add a segment to the database, your program must build the segment to be inserted in an I/O area. If the segment has a key, you must place the correct key in the correct location in the I/O area. If field sensitivity is used, the fields must be in the order defined by the PSB for the application's view of the segment.

If you are adding a root segment occurrence, DL/I places it in the correct sequence in the database by using the key you supply in the I/O area. If the segment you are inserting is not a root, but you have just inserted its parent, you can insert the child segment by issuing an insert request qualified with only the segment name. You must build the new segment in your I/O area before you issue the ISRT request. You also qualify insert requests with the segment name when you add a new root segment occurrence. When you are adding new segment occurrences to an existing database, the segment *type* must have been defined in the DBD. You can add new segment occurrences directly or sequentially after you have built them in the program's I/O area.

If the segment type you are inserting has a unique key field, the location where DL/I adds the new segment occurrence depends on the value of its key field. If the segment does not have a key field, or if the key is not unique, you can control where the new segment occurrence is added by specifying either the FIRST, LAST, or HERE insert rule. Specify the rules on the RULES parameter of the SEGM statement for the database.

Examples

Example 1

"Add information to the record for Chris Edwards about his visit to the clinic on February 1, 1993. His patient number is 02345. He had a sore throat."

Explanation: First, build the ILLNESS segment in your program's I/O area. Your I/O area for the ILLNESS segment looks like this:

```
19930201SORETHROAT
```

Use the command to add this new segment occurrence to the database is:

```
EXEC DLI ISRT
      SEGMENT(PATIENT) WHERE (PATNO=PATN01)
      SEGMENT(ILLNESS) FROM(ILLAREA);
```

Example 2

"Add information about the treatment to the record for Chris Edwards, and add information about the illness."

Explanation: You build the TREATMNT segment in a segment I/O area. The TREATMNT segment includes the date, the medication, amount of medication, and the doctor's name:

```
19930201MYOCINbbb
0001TRIEBbbbbbb
&b
```

The following command adds both the ILLNESS segment and the TREATMNT segment to the database:

```
EXEC DLI ISRT
      SEGMENT(PATIENT) WHERE (PATNO=PATN01)
      SEGMENT(ILLNESS) FROM(ILLAREA)
      SEGMENT(TREATMNT) FROM(TRETAREA);
```

Example 3

```
EXEC DLI ISRT
      SEGMENT(ILLNESS) KEYS(CONKEY)
      SEGMENT(TREATMNT) FROM(TRETAREA);
```

Explanation: Using this command is the same as having a WHERE option qualified on the key field for the ILLNESS and PATIENT segments.

Restrictions

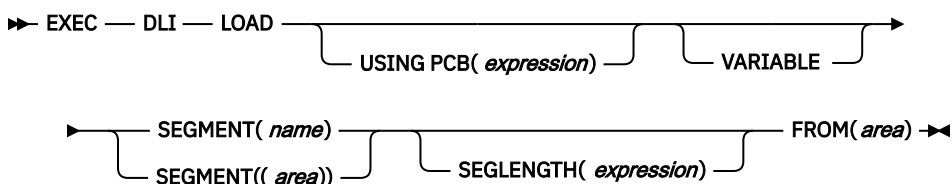
Restrictions the ISRT command:

- You cannot issue the ISRT command until you have built a new segment in the I/O area.
- You must specify at least one SEGMENT option for each segment being added to the database.
- When inserting a segment, you must have position established on the parents of the segment.
- If you specify a SEGMENT option for only the lowest level segment, and do not qualify the parent segments with SEGMENT, WHERE, or KEYS options, be sure that current position is at the correct place in the database to insert the segment.
- If you use a FROM option for a segment, you cannot qualify the segment by using the WHERE or KEYS option; DL/I uses the key field value specified in the I/O area as qualification.
- You must use a separate I/O area for each segment type you want to add.
- You cannot mix SEGMENT options with and without the FROM option. When you use a FROM option for a parent segment, you must use a FROM option for each dependent segment. (You can begin the path at any level, but you must not leave out any levels.)
- You can only use the FIRST option with segments that have either no keys or have a nonunique key with HERE specified on the RULES operand of the SEGM statement in the DBD.
- You can only use the LAST option when the segment has no key or a nonunique key, and the INSERT rule for the segment is either FIRST or HERE.

LOAD command

The Load (LOAD) command is used to add a segment sequentially while loading the database.

Format



Options

USING PCB(expression)

Specifies the DB PCB you want to use. Its argument can be any expression that converts to the integer data type; you can specify either a number or a reference to a halfword in your program containing a number.

VARIABLE

Indicates that a segment is variable-length.

SEGMENT(name)

Specifies the name of the segment type you want to retrieve, insert, delete, or replace.

SEGMENT((area))

A reference to an area in your program containing the name of the segment type. You can specify an area instead of the name of the segment in the command.

SEGLENGTH(expression)

Specifies the length of the I/O area from which the segment is obtained. Its argument can be any expression that converts to the integer data type; you can specify either a number or a reference to a halfword in your program containing a number. (SEGLENGTH is required in COBOL programs for any SEGMENT level that specifies the INTO or FROM option.)

Requirement: The value specified for SEGLENGTH must be greater than or equal to the length of the longest segment that can be processed by this call.

FROM(area)

Specifies an area containing the segment to be added, replaced, or deleted.

Usage

The LOAD command is used for database load programs, which are described in *IMS Version 15.5 Database Administration*.

Example

```
EXEC DLI LOAD  
    SEGMENT(ILLNESS) FROM(ILLAREA);
```

LOG command

The Log (LOG) command is used to write information to the system log.

Format

➤ EXEC — DLI — LOG — FROM(*area*) — LENGTH(*expression*) ➤

Options**FROM(area)**

Specifies an area containing the segment to be added, replaced, or deleted.

LENGTH(expression)

Specifies the length of an area.

Usage

You use the LOG command to write information to the system log.

Example

```
EXEC DLI LOG  
    FROM(ILLAREA) LENGTH(18);
```

Restriction

Restrictions for the LOG command:

- To use this command you must first define an I/O PCB for your program.

Restriction

The POS command is for DEDBs only.

QUERY command

The Query (QUERY) command obtains status code and other information in the DL/I interface block (DIB), which is a subset of the IMS PCB.

Format

➤ EXEC — DLI — QUERY — USING — PCB(*expression*) ➤

Options

USING PCB(*expression*) is required. No other options are allowed with the QUERY command.

Usage

For full-function databases, the DIB should contain NA, NU, TH or blanks. For an explanation of the codes, see *IMS Version 15.5 Messages and Codes, Volume 4: IMSComponent Codes*.

Use the QUERY command after scheduling the PSB but before making the database call. If the program has already issued a call using the DB PCB, you then use the REFRESH command to update the information in the DIB.

Example

Example 1

```
EXEC DLI QUERY USING PCB(expression);
```

Explanation: This example shows how to specify the QUERY command. In this example, (n) specifies the PCB.

Example 2

```
EXEC DLI REFRESH DBQUERY;
```

Explanation: If your program has already issued a call using the DB PCB name, use the REFRESH command to update the information in the DIB. The REFRESH command updates all DB PCBs. You can issue it only one time.

Restrictions

Restrictions for the QUERY command:

- To use this command you must first define an I/O PCB for your program.
- You cannot reestablish position in the midst of nonunique keys or nonkeyed segments.

REFRESH command

The Refresh (REFRESH) command is used to obtain the most recent information from the DIB for the most recently issued command.

Format

➤ EXEC — DLI — REFRESH — DBQUERY ➤

Options

DBQUERY is required. Other options are not allowed with the REFRESH command.

Usage

The REFRESH command is used with the QUERY command.

The QUERY command is used after scheduling the PSB but before making the first database call. If the program has already issued a call using the DB PCB, use the REFRESH command to update the information in the DIB.

The REFRESH command updates all DB PCBs. It can be issued only once.

Example

```
EXEC DLI REFRESH DBQUERY;
```

Explanation

This example shows how to specify the REFRESH command.

Restrictions

Restrictions for the REFRESH command:

- To use this command, you must first define an I/O PCB for your program.
- You cannot reestablish position in the midst of nonunique keys or nonkeyed segments.
- You can issue this command only one time.

REPL command

The Replace (REPL) command is used to replace a segment, usually to change the values of one or more of its fields.

Format

EXEC — DLI — REPLACE — USING PCB(*expression*) — A — B

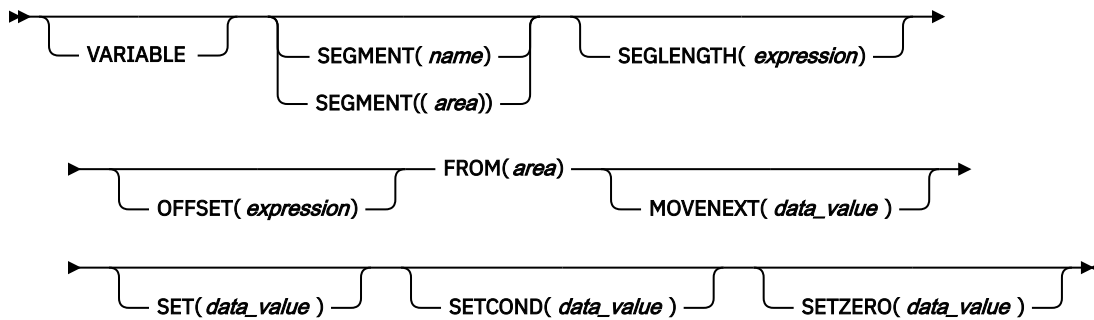
A For each parent segment (optional)

VARIABLE — SEGMENT(*name*) — SEGLENGTH(*expression*)

FROM(*area*) — MOVENEXT(*data_value*)

SET(*data_value*) — SETCOND(*data_value*) — SETZERO(*data_value*)

B For the object segment (required)



Options

USING PCB(expression)

Specifies the DB PCB you want to use for the command. Its argument can be any expression that converts to the integer data type; you can specify either a number or a reference to a halfword in your program containing a number.

VARIABLE

Indicates that a segment is variable-length.

SEGMENT(name)

Qualifies the command, specifying the name of the segment type you want to retrieve, insert, delete, or replace.

SEGMENT((area))

Is a reference to an area in your program containing the name of the segment type. You can specify an area instead of specifying the name of the segment in the command.

SEGLNGTH(expression)

Specifies the length of the I/O area from which the segment is obtained. Its argument can be any expression that converts to the integer data type; you can specify either a number or a reference to a halfword in your program containing a number. (It is required in COBOL programs for any SEGMENT level that specifies the INTO or FROM option.)

Requirement: The value specified for SEGLNGTH must be greater than or equal to the length of the longest segment that can be processed by this call.

OFFSET(expression)

Specifies the offset to the destination parent. It can be any expression that converts to the integer data type; you can specify either a number or a reference to a halfword in your program containing a number. You use OFFSET when you process concatenated segments in logical relationships. It is required whenever the destination parent is a variable length segment.

FROM(area)

Specifies an I/O area containing the segment to be added, replaced or deleted. You can replace more than the segment by including the FROM option after the corresponding SEGMENT option for each segment you want to replace. Including FROM options for one or more parent segments is called a path command.

The argument following FROM identifies an I/O area that you have defined in your program. You must use a separate I/O area for each segment type you want to replace.

MOVENEXT(data_value)

Specifies a subset pointer to be moved to the next segment occurrence after your current segment.

SET(data_value)

Specifies unconditionally setting a subset pointer to the current segment.

SETCOND(data_value)

Specifies conditionally setting a subset pointer to the current segment.

SETZERO(data_value)

Specifies setting a subset pointer to zero.

Usage

You must qualify the REPL command with at least one SEGMENT and FROM option, which together indicate the retrieved segments you want replaced.

If the Get command that preceded the REPL command was a path command, and you do not want to replace all of the retrieved segments or the PSB does not have replace sensitivity for all of the retrieved segments, you can indicate which of the segments are not to be replaced by omitting the SEGMENT option.

If your program attempts to do a path replace of a segment where it does not have replace sensitivity, the data for the segment in the I/O area for the REPL command must be the same as the segment returned on the preceding GET command. If the data changes in this situation, the transaction is abended and no data is changed as a result of the Replace command.

Notice that the rules for a REPL path command differ from the rules for an ISRT path command. You cannot skip segment levels to be inserted with an ISRT command, as you can with a REPL command.

To update information in a segment, you can use the REPL command. The REPL command replaces data in a segment with data you supply in your application program. First, you must retrieve the segment into an I/O area. You then modify the information in the I/O area and replace the segment with the REPL command. For your program to successfully replace a segment, that segment must already have been defined as replace-sensitive in the PCB by specifying PROCOPT=A or PROCOPT=R on the SENSEG statement in the PCB.

You cannot issue any commands using the same PCB between a Get command and the REPL command, and you can issue only one REPL command for each Get command.

Examples

Example 1

```
EXEC DLI GU SEGMENT(PATIENT) INTO(PATAREA);  
EXEC DLI REPL SEGMENT(PATIENT) FROM(PATAREA);
```

Explanation: This example shows that you cannot issue any commands using the same PCB between the Get command and the REPL command, and you can issue only one REPL command for each Get command. If you issue this commands and wanted to modify information in the segment again, you must first reissue the GU command, before reissuing the REPL command.

Example 2

"We have received a payment for \$65.00 from a patient whose ID is 08642. Update the patient's billing record and payment record with this information, and print a current bill for the patient."

Explanation: The four parts to satisfying this processing request are:

1. Retrieve the BILLING and PAYMENT segments for the patient.
2. Calculate the new values for these segments by subtracting \$65.00 from the value in the BILLING segment, and adding \$65.00 to the value in the PAYMENT segment.
3. Replace the values in the BILLING and PAYMENT segments with the new values.
4. Print a bill for the patient, showing the patient's name, number, address, the current amount of the bill, and the amount of the payments to date.

To retrieve the BILLING and PAYMENT segments, issue a GU command. Because you also need the PATIENT segment when you print the bill, you can include INTO following the SEGMENT options for the PATIENT segment and for the BILLING segment:

```
EXEC DLI GU  
  SEGMENT(PATIENT) INTO(PATAREA) WHERE (PATNO=PATN01)  
  SEGMENT(BILLING) INTO(BILLAREA)  
  SEGMENT(PAYMENT) INTO(PAYAREA);
```

After you have calculated the current bill and payment, you can print the bill, then replace the billing and payment segments in the database. Before issuing the REPL command, you must change the segments in the I/O area.

Because you have not changed the PATIENT segment, you do not need to replace it when you replace the BILLING and PAYMENT segments. To indicate to DL/I that you do not want to replace the PATIENT segment, you do not specify the SEGMENT option for the PATIENT segment in the REPL command.

```
EXEC DLI REPL
      SEGMENT(BILLING) FROM(BILLAREA)
      SEGMENT(PAYMENT) FROM(PAYAREA);
```

This command tells DL/I to replace the BILLING and PAYMENT segments, but not to replace the PATIENT segment.

These two examples are called *path commands*. You use a path REPL command to replace more than one segment with one command.

Example 3

"Steve Arons, patient number 10250, has moved to a new address in this town. His new address is 4638 Brooks Drive, Lakeside, California. Update the database with his new address."

Explanation: You need to retrieve the PATIENT segment for Steve Arons and replace the address portion of the segment. To retrieve the PATIENT segment, you can use this GU command (assuming PATNO1 contains 10250):

```
EXEC DLI GU
      SEGMENT(PATIENT) INTO(PATAREA) WHERE (PATNO=PATNO1);
```

Since you are not replacing the first two fields of the PATIENT segment (PATNO and NAME), you do not have to change them in the I/O area. Place the new address in the I/O area following the PATNO and NAME fields. Then you issue the REPL command:

```
EXEC DLI REPL
      SEGMENT(PATIENT) FROM(PATAREA);
```

Example 4

```
EXEC DLI GU SEGMENT(PATIENT) INTO(PATAREA)
      WHERE (PATNO=PATNO1)
      SEGMENT(ILLNESS) INTO(ILLAREA)
      SEGMENT(TREATMNT) INTO(TRETAREA);
EXEC DLI REPL SEGMENT(PATIENT) FROM(PATAREA)
      SEGMENT(TREATMNT) FROM(TRETAREA);
```

Explanation: This example assumes that you want to replace the PATIENT and TREATMNT segments for patient number 10401, but you do not want to change the ILLNESS segment. To do this issue this command (assuming PATNO1 contains 10401).

Restrictions

Restrictions for the REPL command:

- You cannot issue any commands using the same PCB between the Get command and the REPL command.
- You can issue only one REPL command for each Get command.
- To modify information in a segment, you must first reissue the GU command before reissuing the REPL command.
- You must qualify the REPL command with at least one SEGMENT option and one FROM option.
- If you use a FROM option for a segment, you cannot qualify the segment by using the WHERE or KEYS option; DL/I uses the key field value specified in the I/O area as qualification.

RETRIEVE command

Use the RETRIEVE command to determine current position in the database in batch and BMP programs.

Format

➤ EXEC — DLI — RETRIEVE — USING PCB(*expression*) — KEYFEEDBACK(*area*) →

 ← FEEDBACKLEN(*expression*) →

Options

USING PCB(*expression*)

Specifies the DB PCB you want to use for the command. Its argument can be any expression that converts to the integer data type; you can specify either a number or a reference to a halfword in your program containing a number.

expression specifies the PCB for which you want to retrieve the concatenated key. It can be any expression in the host language that converts to the integer data type. You can specify either a number or a reference to a halfword containing a number. The value must be a positive integer not greater than the number of PCBs generated for the PSB. The first PCB in the list, the I/O PCB, is 1. The first DB PCB in the list is 2, the second is 3, and so forth.

KEYFEEDBACK(*area*)

Specifies an area into which the concatenated key for the segment is placed. If the area is not long enough, the key is truncated.

FEEDBACKLEN(*expression*)

Specifies the length of the key feedback area into which you want the concatenated key retrieved. Its argument can be any expression that converts to the integer data type; you can specify either a number or a reference to a halfword in your program containing a number. (It is required in COBOL programs and optional in PL/I and assembler language programs.)

expression is the length of the key feedback I/O area. It can be any expression in the host language that converts to integer data type; you can specify either a number or a reference to a halfword containing a number. For IBM COBOL for z/OS & VM (or VS COBOL II), PL/I, or assembler language, FEEDBACKLEN is optional. For COBOL programs that are not compiled with the IBM COBOL for z/OS & VM (or VS COBOL II) compiler, you must specify FEEDBACKLEN with the KEYFEEDBACK option.

Usage

You can use the RETRIEVE command to retrieve the concatenated key to determine your current position in all the PCBs your program accesses.

After issuing the RETRIEVE command, the segment type and level on which the position is established is returned to the DIBSEGM and DIBSEGLV fields in the DIB. The value in DIBKFBL is set to the actual length of the concatenated key.

Example

```
EXEC DLI RETRIEVE USING PCB(2) KEYFEEDBACK(KEYAREA);
```

```
EXEC DLI RETRIEVE USING PCB(5) KEYFEEDBACK(KEYAREA);
```

Explanation

These RETRIEVE commands retrieve the concatenated key for the first and fourth DB PCBs. (The first PCB in the list is the I/O PCB, so the first DB PCB is the second one in the list.) After issuing the first RETRIEVE command, you can determine your position in the first DB PCB by examining the concatenated key in KEYAREA, and the values returned in the DIBSEGM and DIBSEGLV fields in the DIB. After issuing

the second RETRIEVE command, you can determine your position in the fourth DB PCB by examining the same fields.

Restrictions

Restrictions for the RETRIEVE command:

- You cannot use this command in a CICS program.
- To use this command, you must first define an I/O PCB for your program.

ROLB command

The Rollback (ROLB) command is used to dynamically back out changes and return control to your program. You cannot use this command in a CICS program.

Format

►► EXEC — DLI — ROLB ►►

Options

No options are allowed with the ROLB command.

Usage

When a batch or BMP program determines that some of its processing is invalid, two commands make it possible for the program to remove the effects of its inaccurate processing. These are the rollback commands, ROLL and ROLB.

The ROLB command is valid in batch programs when the system log is stored on direct access storage and dynamic backout has been specified through the use of the BKO execution parameter.

Issuing the ROLB causes IMS DB to back out any changes your program has made to the database since its last checkpoint, or since the beginning of the program if your program has not issued a checkpoint. When you issue a ROLB command, IMS DB returns control to your program after backing out the changes, so that your program can continue processing with the next statement after the ROLB command.

Example

```
EXEC DLI ROLB;
```

Explanation

This example shows how to dynamically back out changes and return control to your program with the ROLB command.

Restrictions

Restrictions for the ROLB command:

- You cannot use this command in a CICS program.
- You must first define an I/O PCB for your program before you can use this command.
- You cannot reestablish position in the midst of nonunique keys or nonkeyed segments.
- You cannot use this command when the system log is stored on direct access storage and dynamic backout has not been specified.

Related reference

[“ROLL command” on page 189](#)

The Roll (ROLL) command is used to dynamically back out changes. You cannot use this command in a CICS program;

ROLL command

The Roll (ROLL) command is used to dynamically back out changes. You cannot use this command in a CICS program;

Format

► EXEC — DLI — ROLL ◄

Options

No options are allowed with the ROLL command.

Usage

When a batch program determines that some of its processing is invalid, two commands make it possible for the program to remove the effects of its inaccurate processing. These are the rollback commands, ROLL and ROLB.

You can use ROLL in batch programs.

Issuing the ROLL causes CICS and DL/I to back out any changes your program has made to the database since its last checkpoint, or since the beginning of the program provided your program has not issued a checkpoint. When you issue a ROLL command, DL/I terminates your program after backing out the updates.

Example

```
EXEC DLI ROLL;
```

Explanation

This example shows how to dynamically back out changes with the ROLL command.

If you use the ROLL command, IMS terminates the program with user abend code U0778. This type of abnormal termination does not produce a storage dump.

Restrictions

Restrictions for the ROLL command:

- You cannot use this command in a CICS program.
- You must first define an I/O PCB for your program before you can use this command.
- You cannot reestablish position in the midst of nonunique keys or nonkeyed segments.
- You cannot use this command when the system log is stored on direct access storage and dynamic backout has been specified. You must also specify BKO=Y in the parm field of your JCL when you execute the program.

Related reference

[“ROLB command” on page 188](#)

The Rollback (ROLB) command is used to dynamically back out changes and return control to your program. You cannot use this command in a CICS program.

ROLS command

The Rollback to SETS or SETU (ROLS) command is used to back out to a processing point set by an earlier SETS command.

Format

```
► EXEC — DLI — ROLS ——— USING PCB( expression ) ———►  
                        |  
                        |—— TOKEN( token ) — AREA( data_area ) ——|
```

Options

USING PCB(*expression*)

Specifies the DB PCB you want to use. Its argument can be any expression that converts to the integer data type; you can specify either a number or a reference to a halfword in your program containing a number.

TOKEN(*token*)

A 4-byte token associated with the current processing point. If you specify both TOKEN and AREA, the ROLS command backs out to the SETS or SETU you specified.

AREA(*data_area*)

The name of the area to be restored to the program when a ROLS command is issued. The first 2 bytes of the data-area field contain the length of the data-area, including the length itself. The second 2 bytes must be set to X'0000'. If you specify both TOKEN and AREA, the ROLS command backs out to the SETS you specified.

The ROLS call has two formats: with TOKEN and AREA (for IOPCB only) and without TOKEN and AREA (for IOPCB or DBPCB).

Usage

Use the SETS and ROLS commands to define multiple points at which to preserve the state of DL/I full-function databases and to return to these points later. (For example, you can use them so your program can handle situations that can occur when PSB scheduling completes without all of the referenced DL/I databases being available.)

Use of the SETS and ROLS commands apply only to DL/I full-function databases. This means that if a logical unit of work (LUW) is updating types of recoverable resources other than full-function databases, for example, VSAM files, the SETS and ROLS requests have no effect on the non-DL/I resources. The backout points are *not* CICS commit points; they are intermediate backout points that apply only to DBCTL resources. It is up to you to ensure the consistency of all the resources involved.

You can use the ROLS command to backout to the state all full-function databases were in before either a specific SETS or SETU request or the most recent commit point.

Examples

Example 1

```
EXEC DLI ROLS TOKEN(token1) AREA(data_area)
```

Explanation: In this example (for IOPCB only), backout takes place to the corresponding TOKEN, as specified by a prior SETS call, and control returns to the application.

Example 2

```
EXEC DLI ROLS USING PCB(PCB5)
```


command, the control, as well as the status code in the DIB are passed back to the application program, which can then take the appropriate action.

Usage

Before you can access DL/I databases from a CICS program, you must notify DL/I that your program will be accessing a database by scheduling a PSB. Do this by issuing the SCHED command. When you no longer plan to use a PSB, or you want to schedule a subsequent PSB (one or more), you must terminate the previous PSB with the TERM command. (For more information on the I/O PCB and PSB, see the topic "PCBs and PSB" in *IMS Version 15.5 Application Programming*)

The SCHED command can be specified two ways, as shown by the following code examples.

Example

```
EXEC DLI SCHED PSB(psbname)SYSSERVE;
```

```
EXEC DLI SCHED PSB((AREA));
```

Explanation

These examples show two ways to schedule a PSB in a CICS program.

SETS command

The Set a Backout Point (SETS) command is used to define points in your application at which to preserve the state of the DL/I databases before initiating a set of DL/I requests to perform a function. Your application can issue a ROLS command later if it cannot complete the function.

Format

► EXEC — DLI — SETS —————►
 TOKEN(*mytoken*) — AREA(*data_area*)

Options

TOKEN(*mytoken*)

A 4-byte token associated with the current processing point.

AREA(*data_area*)

The name of the area to be restored to the program when a SETS command is issued. The first 2 bytes of the data-area field contain the length of the data-area, including the length itself. The second 2 bytes must be set to X'0000'.

Usage

You can use the SETS command to define multiple points at which to preserve the state of the DL/I databases and to return to these points later. For example, you can use the SETS command to allow your program to handle situations that can occur when PSB scheduling completed without all of the referenced DL/I databases being available.

The SETS command applies only to DL/I full-function databases. If a logical unit of work (LUW) is updating types of recoverable resources other than full-function databases, for example VSAM files, the SETS command has no effect on the non-DL/I resources. The backout points are *not* CICS commit points; they are intermediate backout points that apply only to DBCTL resources. It is up to you to ensure the consistency of all the resources involved.

Example

```
EXEC DLI SETS TOKEN(mytoken) AREA(data_area)
```

Explanation

This example shows how to specify the SETS command.

Restrictions

Restrictions for the SETS command:

- To use this command you must first define an I/O PCB for your program.
- You cannot reestablish position in the midst of nonunique keys or nonkeyed segments.
- In batch, you can only use this command when the system log is stored on direct access storage and dynamic backout has been specified. You must also specify BKO=Y in the parm field of your JCL when you execute the program.
- It is rejected when the PSB contains a DEDB or MSDB PCB, or when the call is made to a DB2 database.
- It is valid, but not functional, if unsupported PCBs exist in the PSB or if the program uses an external subsystem.

SETU command

The Set a Backout Point Unconditionally (SETU) command is identical to the SETS command except that it does not get rejected if unsupported PCBs are in the PSB or if the program uses an external subsystem.

Format

```
► EXEC — DLI — SETU —————►  
                  └── TOKEN( mytoken ) — AREA( data_area ) ─┘
```

Options

TOKEN(mytoken)

A 4-byte token associated with the current processing point.

AREA(data_area)

The name of the area to be restored to the program when a SETU command is issued. The first 2 bytes of the data-area field contain the length of the data-area, including the length itself. The second 2 bytes must be set to X'0000'.

Usage

You can use the SETU command to define multiple points at which to preserve the state of the DL/I databases and to return to these points later. For example, you can use the SETU command to allow your program to handle situations that can occur when PSB scheduling completed without all of the referenced DL/I databases being available.

The SETU command applies only to DL/I full-function data bases. If a logical unit of work (LUW) is updating types of recoverable resources other than full-function databases, such as VSAM files, the SETU command has no effect on the non-DL/I resources. The backout points are *not* CICS commit points; they are intermediate backout points that apply only to DBCTL resources. It is up to you to ensure the consistency of all the resources involved.

Example

```
EXEC DLI SETU TOKEN(mytoken) AREA(data_area)
```

Explanation

This example shows how to specify the SETU command.

Restrictions

Restrictions for the SETU command:

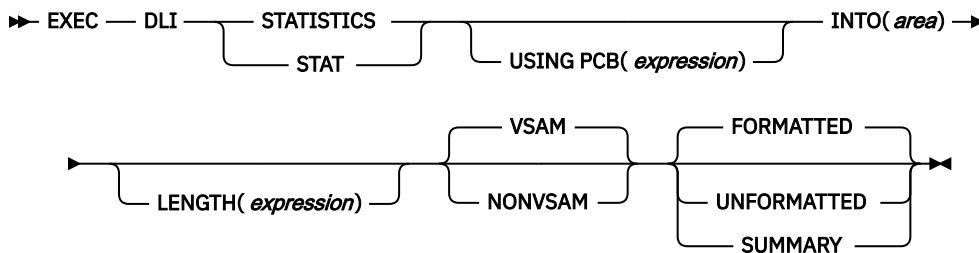
- You cannot use this command in a CICS program.
- To use this command you must first define an I/O PCB for your program.
- You cannot reestablish position in the midst of nonunique keys or nonkeyed segments.
- You cannot use this command when the system log is stored on direct access storage and dynamic backout has been specified. You must also specify BKO=Y in the parm field of your JCL when you execute the program.

STAT command

The Statistics (STAT) command is used to obtain IMS database statistics that you can use in debugging your program.

This topic contains Product-sensitive Programming Interface information.

Format



Options

USING PCB(expression)

Specifies the DB PCB you want to use. Its argument can be any expression that converts to the integer data type; you can specify either a number or a reference to a halfword in your program containing a number.

INTO(area)

Specifies an area into which the data is read.

LENGTH(expression)

Specifies the length of an area.

VSAM/NONVSAM

Specifies database type.

FORMATTED/UNFORMATTED/SUMMARY

Specifies type of output.

Usage

The STAT command is described in *IMS Version 15.5 Application Programming*.

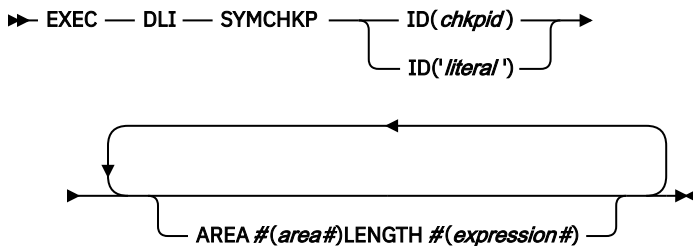
Example

For examples of the STAT command, see *IMS Version 15.5 Application Programming*.

SYMCHKP command

The Symbolic Checkpoint (SYMCHKP) command is used to issue a symbolic checkpoint and to end a logical unit of work.

Format



Options

ID(*chkpid*)

Is the name of an 8-byte area in your program containing the checkpoint ID. If you are using PL/I, specify this parameter as a pointer to a major structure, an array, or a character string.

ID('literal')

Is the 8-byte checkpoint ID, enclosed in quotation marks.

AREA#(*area#*)

Specifies the areas in your program you want IMS to checkpoint. You do not need to specify any area to checkpoint; however, you cannot specify more than seven areas. If you specify more than one area, you must include all intervening areas. For example, if you specify AREA3, you must also specify AREA1 and AREA2. The areas you specify using the SYMCHKP command must be the same and in the areas specified in the XRST command.

LENGTH#(*expression#*)

Can be any expression in the host language that converts to the integer data type; you can specify either a number or a reference to a halfword containing a number. For IBM COBOL for z/OS & VM (or VS COBOL II), PL/I, or assembler language programs, LENGTH1 to LENGTH7 are optional. For COBOL programs that are not compiled with the IBM COBOL for z/OS & VM (or VS COBOL II) compiler, LENGTHx (where x is 1 to 7) is required for each AREA_x (where x is 1 to 7) that you specify.

Usage

The two kinds of commands that allow you to make checkpoints are: the CHKP, or basic Checkpoint command, and the SYMCHKP, or Symbolic Checkpoint command.

Batch programs can use either the symbolic or the basic command.

Both checkpoint commands make it possible for you to commit your program's changes to the database and to establish places from which the program can be restarted, should it terminate abnormally. You must not use the CHKPT=EOV parameter on any DD statement to take an IMS checkpoint.

Refer to *IMS Version 15.5 Application Programming* for an explanation of when and why you should issue checkpoints in your program. Both commands cause a loss of database position at the time the command is issued. Position must be reestablished by a GU command or other method of establishing position.

In addition to committing your program's changes to the database and establishing places from which your program can be restarted, the Symbolic Checkpoint command:

- Works with the Extended Restart (XRST) command to restart your program if it terminates abnormally.
- Can save as many as seven data areas in your program, which are restored when your program is restarted. You can save variables, counters, and status information.

LENGTH#(expression#)

Specifies the length of an area from which a program is restarted. Its argument can be any expression in the host language that converts to the integer data type; you can specify either a number or a reference to a halfword containing a number. For IBM COBOL for z/OS & VM (or VS COBOL II), PL/I, or assembler language programs LENGTH1 to LENGTH7 are optional. For COBOL programs that are not compiled with the IBM COBOL for z/OS & VM (or VS COBOL II) compiler, LENGTHx (where x is 1 to 7) is required for each AREAx (where x is 1 to 7) that you specify. Each qualification statement consists of:

- The name of a field in a segment
- The relational operator, which indicates how you want the two values compared
- The name of a data area in your program containing the value that is compared against the value of the field

Usage

If your programs issues Symbolic Checkpoint commands it must also issue the Extended Restart (XRST) command. The XRST is issued once, at the start of your program. You can use the XRST command to start your program normally, or to extend restart it in case of an abnormal termination.

You can extend restart your program from a specific checkpoint ID, or a time/date stamp. Because the XRST attempts to reposition the database, your program also needs to check for correct position.

After issuing the XRST command, you should test the DIBSEGM field in the DIB. After a normal start, the DIBSEGM field should contain blanks. At the completion of an Extended Restart, the DIBSEGM field will contain a checkpoint ID. Normally, XRST will return the 8-byte symbolic checkpoint ID, followed by 4 blanks. If the 8-byte ID consists of all blanks, then XRST will return the 14-byte time-stamp ID. The only successful status code for an XRST command is a blank status code. If DL/I detects any error while processing the XRST command, your program abends.

Example

```
EXEC DLI XRST MAXLENGTH(expression)
      ID(chkpid)
      AREA1(area1) LENGTH1(expression1)
      ...
      AREA7(area7) LENGTH7(expression7)
```

Explanation

This example shows how to specify the XRST command.

Restrictions

Restrictions for the XRST command:

- You cannot use this command in a CICS program.
- To use this command you must first define an I/O PCB for your program.
- You cannot reestablish position in the midst of nonunique keys or nonkeyed segments.
- You cannot use this command unless the system log is stored on direct access storage and dynamic backout has been specified. You must also specify BKO=Y in the parm field of your JCL when you execute the program.

Command code reference

Use the following reference information for the command codes.

Restriction: Command codes cannot be used by MSDB calls.

Restrictions: The following restrictions apply for Fast Path secondary index command code and multiple SSA support:

- The C command code cannot be specified in any SSA other than the first SSA. If specified, it will be rejected with a status code of AJ.
- The V command code for an ISRT call is ignored.
- A, G, and subset pointer related command codes (M, R, S, W, and Z) are not supported. They are rejected with a status code of AJ.

Restrictions: The following restrictions apply for any DL/I call for a physical parent segment of the target segment where target segment is not the root segment:

- The P, Q, U, and V command codes are ignored.
- The field name must be the sequence field name for the parent segment if the SSA contains a qualification statement. If any field name other than the sequence field name is specified, it will be rejected with a status code of AK.

Table 54. Summary of command codes

Command code	Description
A	Clear positioning and start the call at the beginning of the database.
C	Use the concatenated key of a segment to identify the segment.
D	Retrieve or insert a sequence of segments in a hierarchic path using only one call, instead of using a separate (path) call for each segment.
F	Back up to the first occurrence of a segment under its parent when searching for a particular segment occurrence. Disregarded for a root segment.
G	Prevent randomization or the calling of the HALDB Partition Selection exit routine and search the database sequentially.
L	Retrieve the last occurrence of a segment under its parent.
M	Move a subset pointer to the next segment occurrence after your current position. (Used with DEDBs only.)
N	Designate segments that you do not want replaced when replacing segments after a Get Hold call. Typically used when replacing a path of segments.
O	Either field names or both segment position and lengths can be contained in the SSA qualification for combine field position.
P	Set parentage at a higher level than what it usually is (the lowest-level SSA of the call).
Q	Reserve a segment so that other programs cannot update it until you have finished processing and updating it.
R	Retrieve the first segment occurrence in a subset. (Used with DEDBs only.)
S	Unconditionally set a subset pointer to the current position. (Used with DEDBs only.)
U	Limit the search for a segment to the dependents of the segment occurrence on which position is established.
V	Use the hierarchic level at the current position and higher as qualification for the segment.
W	Set a subset pointer to your current position, if the subset pointer is not already set. (Used with DEDBs only.)
Z	Set a subset pointer to 0, so it can be reused. (Used with DEDBs only.)
-	Null. Use an SSA in command code format without specifying the command code. Can be replaced during execution with the command codes that you want.

The following table shows the list of command codes with applicable calls.

Table 55. Command codes and related calls

Command Code	GU GHU	GN GHN	GNP GHNP	REPL	ISRT	DLET
A		X				
C	X	X	X		X	
D	X	X	X		X	
F	X	X	X		X	
G		X				
L	X	X	X		X	
M	X	X	X	X	X	
N				X		
O	X	X	X		X	
P	X	X	X		X	
Q	X	X	X		X	
R	X	X	X		X	
S	X	X	X	X	X	
U	X	X	X		X	
V	X	X	X		X	
W	X	X	X	X	X	
Z	X	X	X	X	X	X
-	X	X	X	X	X	X

A command code

You can use the A command code to cause position in the database to be cleared which will result in the call starting at the beginning of the database.

If an application had been traversing through a database and not finding the requested data down a certain path, it could issue a qualified GN or GHN call with command code A to reset position at the beginning of the database and search a different path for the data.

C command code

You can use the C command code to indicate to IMS that (instead of supplying a qualification statement) you are supplying the segment's concatenated key as a means of identifying it. You can use either the C command code or a qualification statement, but not both.

You can use the C command code for all Get calls and for the ISRT call. When you code the concatenated key, enclose it in parentheses following the *C, and place it in the same position that would otherwise contain the qualification statement.

For example, suppose you wanted to satisfy this request:

Did Joan Carter visit the clinic on March 3, 2009? Her patient number is 07755.

The PATIENT segment's key field is the patient number, and the ILLNESS segment's key field is the date field, so the concatenated key is 0775520090303. This number is comprised of four digits for the year,

followed by two digits for both the month and the day. You issue a GU call with the following SSA to satisfy the request:

```
GU ILLNESSb*C(0775520090303)
```

Using the C command code is sometimes more convenient than a qualification statement because it is easier to use the concatenated key than to move each part of the qualification statement to the SSA area during program execution. Using the segment's concatenated key is the equivalent of giving all the SSA in the path to the segment qualified on their keys.

For example, suppose that you wanted to answer this request:

What treatment did Joan Carter, patient number 07755, receive on March 3, 2009?

Using qualification statements, you would specify the following SSA with a GU call:

```
GU PATIENTb(PATN0bbbEQ07755)
   ILLNESSb(ILLDATEbEQ20090303)
   TREATMNTb
```

Using a C command code, you can satisfy the previous request by specifying the following SSA on a GU call:

```
GU ILLNESSb*C(0775520090303)
   TREATMNTb
```

If you need to qualify a segment by using a field other than the key field, use a qualification statement instead of the C command code.

Only one SSA with a concatenated key is allowed for each call. To return segments to your program in the path to the segment specified by the concatenated key, you can use unqualified SSA containing the D command code.

For example, if you want to return the PATIENT segment for Joan Carter to your I/O area, in addition to the ILLNESS segment, use the call:

```
GU PATIENTb*Db
   ILLNESSb*C(0775520090303)
```

You can use the C command code with the object segment for a Get call, but not for an ISRT call. The object segment for an ISRT call must be unqualified.

D command code

You can use the D command code to retrieve or insert a sequence of segments in a hierarchic path with one call rather than retrieving or inserting each segment with a separate call. A call that uses the D command code is called a *path call*.

For your program to use the D command code, the P processing option must be specified in the PCB, unless your program uses command code D when processing DEDBs.

Related reading: For more information on using the P processing option, see the description of PSB generation in *IMS Version 15.5 System Utilities*.

Retrieving a sequence of segments

When you use the D command code with retrieval calls, IMS places the segments in your I/O area. The segments in the I/O area are placed one after the other, left to right, starting with the first SSA you supplied. To have IMS return each segment in the path, you must include the D command code in each SSA. You can, however, include an intervening SSA without the D command code. You do not need to include the D command code on the last segment in the path, because IMS always returns the last segment in the path to your I/O area.

The D command code has no effect on the IMS retrieval logic. The only thing it does is cause each segment to be moved to your I/O area. The segment name in the PCB is the lowest-level segment that is retrieved or the last level that is satisfied in the call in the case of a GE (not-found) status code. Higher-level segments with the D command code are placed in the I/O area.

If IMS is unable to find the lowest segment your program has requested, it returns a GE (not-found) status code, just as it does if your program does not use the D command code and IMS is unable to find the segment your program has requested. This is true even if IMS reaches the end of the database before finding the lowest segment your program requested. If IMS reaches the end of the database without satisfying any levels of a path call, it returns a GB (end of database) status code. However, if IMS returns one or more segments to your I/O area (new segments for which there was no current position at the start of the current call), and if IMS is unable to find the lowest requested segment, IMS returns a GE status code, even if it has reached the end of the database.

The advantages of using the D command code are significant even if your program is not sure that it will need the dependent segment returned by D. For example, suppose that after examining the dependent segment, your program still needs to use it. Using the D command, your program has the segment if you need it, and your program is not required to issue another call for the segment.

For an example of the D command code, suppose your program has this request:

Compute the balance due for each of the clinic's patients by subtracting the payments received from the amount billed; print bills to be mailed to each patient.

To process this request for each patient, your program needs to know the patient's name and address, what the charges are for the patient, and the amount of payment the patient has made. Issue this call until your program receives a GE status code indicating that no more patient segments exist:

```
GN    PATIENTb*Db
      BILLINGb*Db
      PAYMENTbb
```

Each time you issue this call, your I/O area contains the patient segment, the billing segment, and the payment segment for a particular person.

Inserting a sequence of segments

With ISRT calls, your program can use the D command code to insert a path of segments simultaneously. Your program need not include D for each SSA in the path. Your program just specifies D on the first segment that you want IMS to insert. IMS inserts the segments in the path that follow.

For example, suppose your program has this request:

Judy Jennison visited the clinic for the first time. Add a record that includes PATIENT, ILLNESS, and TREATMNT segments.

After building the segments in your I/O area, issue an ISRT call with the following SSA:

```
ISRT  PATIENTb*Db
      ILLNESSbb
      TREATMNTb
```

Not only is the PATIENT segment added, but the segments following the PATIENT segment, ILLNESS and TREATMNT, are also added to the database.

You cannot use the D command code to insert segments if a logical child segment in the path exists.

F command code

You can use the F command code to start the search with the first occurrence of a certain segment type or to insert a new segment as the first occurrence in a chain of segments.

Retrieving a segment as the first occurrence

You can use the F command code for GN and GNP calls. Using it with GU calls is redundant (and is disregarded) because GU calls can already back up in the database. When you use F, you indicate that you want the search to start with the first occurrence of the segment type you indicate under its parent in attempting to satisfy this level of the call.

You can use the F command code for GN and GNP calls to back up in the database. You can back up to the first occurrence of the segment type that has current position, or you can back up to a segment type that is before the current position in the hierarchy.

Restriction: The parent of the segment that you are backing up from must be in the same hierarchic path as the segment you are backing up to. IMS disregards F when you supply it at the root level or with a GU or GHU.

The search must start with the first occurrence of the segment type that you indicate under the parent. When the search at that level is satisfied, that level is treated as though a new occurrence of a segment has satisfied the search. This is true even when the segment that satisfies an SSA where F command code is specified as the same segment occurrence on which DL/I was positioned before the call was processed.

When a new segment occurrence satisfies an SSA, the position of all dependent segments is reset. New searches for dependent segments then start with the first occurrence of that segment type under its parent.

Inserting a segment as the first occurrence

When you use F with an ISRT call, you are indicating that you want IMS to insert the segment you have supplied as the first segment occurrence of its segment type. Use F with segments that have either no key at all or a non unique key, and that have HERE specified on the RULES operand of the SEGM statement in the DBD. If you specify HERE in the DBD, the F command code overrides this, and IMS inserts the new segment occurrence as the first occurrence of that segment type.

Using the F command code to override the RULES specification on the DBD applies only to the path (either logical or physical) that you are using to access the segment for the ISRT call. For example, if you are using the physical path to access the segment, the command code applies to the physical path but not to the logical path. For clarification of using command codes with the RULES specification, ask the database administrator at your installation.

For example, suppose that you specified RULES=HERE in the DBD for the TREATMNT segment. You want to satisfy this request:

Mary Martin visited the clinic today and visited a number of different doctors. Add the TREATMNT segment for Dr. Smith as the first TREATMNT segment for the most recent illness.

First you build a TREATMNT segment in your I/O area:

```
19930302ESEDRIXbbb0040SMITHbbbb
```

Then you issue an ISRT call with the following SSA. This adds a new occurrence of the TREATMNT segment as the first occurrence of the TREATMNT segment type among those with equal keys.

```
ISRT    PATIENTb (PATN0bbb=b06439)
        ILLNESSb*L
        TREATMNT*F
```

This example applies to HDAM or PHDAM root segments and to dependent segments for any type of database.

Related reference

[“GU/GHU call” on page 16](#)

The Get Unique (GU) call is used to directly retrieve segments and to establish a starting position in the database for sequential processing. The Get Hold Unique (GHU) is the hold form for a GU call.

G command code

You can use the G command code to indicate to IMS to skip randomization or the calling of the partition selection exit and search the database sequentially. While this command code can be used with other database types, it will affect the access of only HDAM/PHDAM, DEDB, and PHIDAM databases.

When accessing an HDAM/PHDAM, DEDB, or PHIDAM database that is accessed using a HALDB Partition Selection exit routine, and the records are not in sequence across partition boundaries, all keys in the requested range of a multiple qualification SSA might not be returned. If the first call to the database or command A is used, command code G can be used to sequentially read through the database until the SSA is satisfied.

L command code

You can use the L command code to retrieve the last occurrence of a particular segment type or to insert a segment as the last occurrence of a segment type.

Retrieving a segment as the last occurrence

The L command code indicates that you want to retrieve the last segment occurrence that satisfies the SSA, or that you want to insert the segment occurrence you are supplying as the last occurrence of that segment type. Like F, L simplifies your programming because you can go directly to the last occurrence of a segment type without having to examine the previous occurrences with program logic, if you know that it is the last segment occurrence that you want. L can be used with GU or GHU, because IMS normally returns the first occurrence when you use a GU call. IMS disregards L at the root level.

Using L with GU, GN, and GNP indicates to IMS that you want the last occurrence of the segment type that satisfies the qualification you have provided. The qualification is the segment type or the qualification statement of the SSA. If you have supplied just the segment type (an unqualified SSA), IMS retrieves the last occurrence of this segment type under its parent.

For example, suppose you have this request using the medical hierarchy:

What was the illness that brought Jennifer Thompson, patient number 10345, to the clinic most recently?

In this example, assume that RULES=LAST is specified in the DBD for the database on ILLNESS. Issue this call to retrieve this information:

```
GU    PATIENTb(PATN0bbb=b10345)
      ILLNESSb*L
```

The first SSA gives IMS the number of the particular patient. The second SSA asks for the last occurrence (in this case, the first occurrence chronologically) of the ILLNESS segment for this patient.

Inserting a segment as the last occurrence

Use L with ISRT only when the segment has no key or a non-unique key, and the insert rule for the segment is either FIRST or HERE. Using the L command code overrides both FIRST and HERE for HDAM or PHDAM root segments and dependent segments in any type of database.

Using the L command code to override the RULES specification on the DBD applies only to the path (either logical or physical) that you are using to access the segment for the ISRT call. For example, if you are using the physical path to access the segment, the command code applies to the physical path but not to the logical path. For clarification of using command codes with the RULES specification, ask your database administrator.

N command code

The N command code prevents you from replacing a segment on a path call. If you use the N command code with the D command code, the application program can process multiple segments by using one call. The D command code alone retrieves a path of segments in your I/O area. However, you can determine which segments that you want to replace by using the N command code with the D command code.

For example, the following code only replaces the TREATMNT segment.

```
GHU    PATIENT*D(PATN0bbb=b06439)
        ILLNESSb*D(ILLDATEb=19930301)
        TREATMNT
```

```
REPL  PATIENT*N(PATN0bbb=b06439)
        ILLNESSb*N(ILLDATEb=19930301)
        TREATMNT
```

Restriction: If you use D and N command codes together, IMS retrieves the segment but does not replace it.

The N command code applies only to REPL calls, and IMS ignores it if you include the code in any other call.

O command code

You can use the O command code to specify a SSA qualification with the position and length of the target data instead of a DBD-defined field name.

This command code is valid for full function database types (HDAM, HIDAM, PHIDAM, and PHDAM) and Fast Path DEDBs.

This command code is supported for the following DL/I calls:

- GU SSA
- GHU SSA
- GN SSA
- GNP SSA
- GHNP SSA
- ISRT SSA

When command code O is specified, the SSA qualification can contain either normal field names or the starting offset and length of the data that you want to retrieve.

You must specify the offset and length as two 4-byte binary values in place of the usual 8-byte character value that is used to specify a field name. The starting position for the offset is 1 and the offset is relative to the physical start of the segment definition. The maximum length that is supported is the maximum segment size for the database type. The minimum length is 1.

For example, a segment might have several fields defined in the DBD with the following offsets and lengths:

Field	Offset	Length
Labname	1	5
Street	10	20
State	30	2

The application program has a COBOL copy book with the following map:

Field	Offset	Length
Labname	1	5
Type	6	3
Street	10	20
State	30	2

The database contains two records with the following data:

```

      I          1111111112222222233
      I 12345678901234567901235678901
      I
Segment #1 I SVL  DEV 555 BAILEY AVE    CA
Segment #2 I ARC   RSC 650 HARRY RD     CA
-----I-----
```

You can specify a GU call with the O command code in the following format to retrieve data without needing the fields to be specified in the DBD. The following example demonstrates how to specify the offset and length values in a DFSDDLTO test application using hexadecimal edit mode:

```

      00000000
GU IBMLABS*O ('00010005'x=SVL )
      00000000
GU IBMLABS*O ('00010005'x=ARC )
      00030000
GU IBMLABS*O ('00000002'x=CA)
      00000000
GU IBMLABS*O ('000060003'x=DEV)
```

In the first GU call, the offset is 1 and the length of the target data is 5.

P command code

Ordinarily, IMS sets parentage at the level of the lowest segment that is accessed during a call. To set parentage at a higher level, you can use the P command code in a GU, GN, or GNP call.

The parentage that you set with P works just like the parentage that IMS sets: it remains in effect for subsequent GNP calls, and is not affected by ISRT, DLET, or REPL calls. It is only affected by GNP if you use the P command code in the GNP call. Parentage is canceled by a subsequent GU, GHU, GN, or GHN.

Use the P command code at only one level of the call. If you mistakenly use P in multiple levels of a call, IMS sets parentage at the lowest level of the call that includes P.

If IMS cannot fully satisfy the call that uses P (for example, IMS returns a GE status code), but the level that includes P is satisfied, P is still valid. If IMS cannot fully satisfy the call including the level that contains P, IMS does not set any parentage. You would receive a GP (no parentage established) if you then issued a GNP.

If you use P with a GNP call, IMS processes the GNP call with the parentage that was already set by preceding calls. IMS then resets parentage with the parentage you specified using P after processing the GNP call.

For example, if you want to send a current bill to all of the patients seen during the month, the determining value is in the ILLNESS segment. You want to look at only patients whose ILLNESS segments have dates after the first of the month. For patients who have been to the clinic during the month, you need to look at their addresses and the amount of charges in the BILLING segment so that you can print a bill. For this example, assume the date is March 31, 1993. Issue these two calls to process this information:

```

GN  PATIENTb*PD
    ILLNESSb(ILLDATEb>=19930301)
GNP BILLINGbb
```

After you locate a patient who has been to the clinic during the month, you issue the GNP call to retrieve that patient's BILLING segment. Then you repeat the GN call to find each patient who has been to the clinic during the month, until IMS returns a GB status code.

Q command code

Use the Q command code if you want to prevent another program from updating a segment until your program reaches a commit point. The Q command code tells IMS that your application program needs to

work with a segment and that no other tasks can be allowed to modify the segment until the program has finished.

This means that you can retrieve segments using the Q command code, then retrieve them again later, knowing that they have not been altered by another program. (You should be aware, however, that reserving segments for the exclusive use of your program can affect system performance.)

You can use the Q command code in batch programs in a data-sharing environment and in CICS and IMS online programs. IMS ignores Q in non-data sharing batch programs.

Limiting the number of database calls

For full function, before you use the Q command code in your program, you must specify a MAXQ value during PSBGEN. This establishes the maximum number of database calls (with Q command codes) that you can make between sync points.

Related reading: For information on PSBGEN, see *IMS Version 15.5 System Utilities*.

Fast Path does not support the MAXQ parameter. Consequently in Fast Path, you can issue as many database calls with Q command codes as you want.

Using segment lock class

For full function, when you use the Q command code to retrieve a segment, you specify the letter Q followed by a letter (A-J), designating the lock class of that segment (for example, QA). If the lock class is not a letter (A-J), IMS returns the status code GL.

Fast Path supports the Q command code alone, without a letter designating the lock class. However, for consistency between Fast Path and full function, Fast Path treats the Q command code as a 2-byte string, where the second byte must be a letter (A-J). If the second byte is not a letter (A-J), IMS returns the status code AJ.

For example, suppose a customer wants to place an order for items 1, 2, and 3, but only if 50 item 1's, 75 item 2's, and 100 item 3's are available. Before placing this order, the program must examine all three item segments to determine whether an adequate number of each item is available. You do not want other application programs to change any of the segments until your program has determined this and, if possible, placed the order.

To process this request for full function, your program uses the Q command code when it issues the Get calls for the item segments. When you use the Q command code in the SSA, you assign a lock class immediately following the command code in the SSA.

```
GU  PART X
    ITEM 1  *QA
GU  PART X
    ITEM 2  *QA
GU  PART X
    ITEM 3  *QA
```

Exception: For Fast Path, the second byte of the lock class is not interpreted as lock class 'A'.

After retrieving the item segments, your program can examine them to determine whether an adequate number of each item are on hand to place the order. Assume 100 of each item are on hand. Your program then places the order and updates the database accordingly. To update the segment, your program issues a GHU call for each segment and follows it immediately with a REPL call:

```
GHU  ITEM 1
REPL ITEM 1 with the value 50
GHU  ITEM 2
REPL ITEM 2 with the value 25
GHU  ITEM 3
REPL ITEM 3 with the value 0
```

Using the DEQ call with the Q command code

When you use the Q command code and the DEQ call, you reserve and release segments.

For full function, to issue a DEQ call against an I/O PCB to release a segment, you place the letter designating the segment's lock class in the first byte of an I/O area. Then, you issue the DEQ call with the name of the I/O area that contains the letter.

A DEDB DEQ call is issued against a DEDB PCB. Because Fast Path does not support lock class, a DEDB DEQ call does not require that a lock class be specified in the I/O area.

Restriction: The EXEC DL/I interface does not support DEDB DEQ calls, because EXEC DL/I disallows a PCB for DEQ calls.

Retrieving segments with full-function DEQ calls

The DEQ call releases all segments that are retrieved using the Q command code, except:

- Segments modified by your program, until your program reaches a commit point
- Segments required to keep your position in the hierarchy, until your program moves to another database record
- A class of segments that has been locked again as another class

If your program only reads segments, it can release them by issuing a DEQ call. If your program does not issue a DEQ call, IMS releases the reserved segments when your program reaches a commit point. By releasing them with a DEQ call before your program reaches a commit point, you make them available to other programs more quickly.

Retrieving buffers with Fast Path DEQ calls

DEQ calls cause Fast Path to release a buffer that satisfies one of the conditions:

- The buffer has not been modified, or the buffer does not protect a valid root position.
- The buffer has been protected by a Q command code.

Fast Path returns an FW status code when no buffers can be released for a DEQ call.

Any CI locking or segment-level locking performed with a Q command code is protected from other application programs until a DEQ call is issued or a commit point is reached.

Considerations for root and dependent segments (full function only)

If you use the Q command code on a root segment, other programs in which the PCB does not have update capability can access the database record. Programs in which the PCB has update capability cannot access any of the segments in that database record. If you use the Q command code on a dependent segment, other programs can read the segment using one of the Get calls without the hold. If your program accesses shared databases, and if any of the segments in that block are reserved with the Q command code, application programs in other IMS systems cannot update anything in that block. The Q command code does not hold segments from one step of a conversation to another.

Related Reading: For more information on the relationship between the Q command code and the DEQ call, see the topic "Reserving Segments for the Exclusive Use of Your Program" in *IMS Version 15.5 Application Programming*.

U command code

As IMS satisfies each level in a retrieval or ISRT call, a position on the segment occurrence that satisfies that level is established. The U command code prevents position from being moved from a segment during a search of its hierarchic dependents.

If the segment has a unique sequence field, using this code is equivalent to qualifying the SSA so that it is equal to the current value of the key field. When a call is being satisfied, if the position is moved above the

level that the U code was issued at, the code has no effect for the segment type whose parent changed position.

U is especially useful when unkeyed dependents or non-unique keyed segments are being processed. The position on a specific occurrence of an unkeyed or non-unique keyed segment can be held by using this code.

Example: Suppose you want to find out about the illness that brought a patient named Mary Warren to the clinic most recently, and about the treatments she received for that illness. The following figure shows the PATIENT, ILLNESS, and TREATMNT segments for Mary Warren.

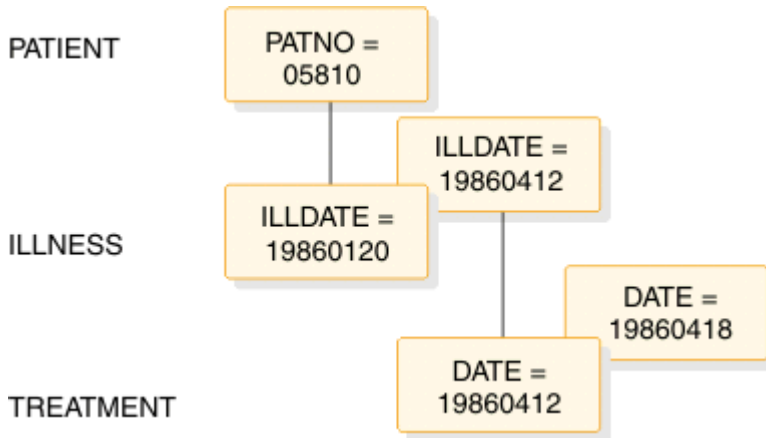


Figure 2. U command code example

To retrieve this information, retrieve the first ILLNESS segment and the TREATMNT segments associated with that ILLNESS segment. To retrieve the most recent ILLNESS segment, you can issue the following GU call:

```

GU  PATIENTb(PATNObbb=b05810
    ILLNESSb*L
  
```

After this call, IMS establishes a position at the root level on the PATIENT segment with the key 05810 and on the last ILLNESS segment. Because other ILLNESS segments with the key 19860412 may exist, you can think of this one as the most recent ILLNESS segment. You might want to retrieve the TREATMNT segment occurrences that are associated with that ILLNESS segment. You can do this by issuing the GN call below with the U command code:

```

GN  PATIENTb*U
    ILLNESSb*U
    TREATMNT
  
```

In this example, the U command code indicates to IMS that you want only TREATMNT segments that are dependents of the ILLNESS and PATIENT segments on which IMS has established position. Issuing the above GN call the first time retrieves the TREATMNT segment with the key of 19860412. Issuing the GN call the second time retrieves the TREATMNT segment with the key 19860418. If you issue the call a third time, IMS returns a not-found status code. The U command code tells IMS that, if it does not find a segment that satisfies the lower qualification under this parent, it cannot continue looking under other parents. If the U command code was not in the PATIENT SSA, the third GN call causes IMS to move forward at the root level in an attempt to satisfy the call. If you supply a U command code for a qualified SSA, IMS ignores the U.

If used in conjunction with command code F or L, the U command code is disregarded at the level and all lower levels of SSA for that call.

V command code

Using the V command code on an SSA is similar to using a U command code in that SSA and all preceding SSA. Specifying the V command code for a segment level tells IMS that you want to use the position that is established at that level and above as a qualification for the call.

Using the V command code is analogous to qualifying your request with a qualified SSA that specifies the current IMS position.

For example, suppose that you wanted to answer this request:

Did Joan Carter, patient number 07755, receive any treatment on March 3, 2009?

Using a qualified SSA, specify the following call:

```
GU    PATIENTb(PATN0bbb=b07755)
      ILLNESSb(ILLDATEb=20090303)
      TREATMNT
```

If you have position established on the PATIENT segment for patient number 07755 and on the ILLNESS segment for March 3, 2009, you can use your position to retrieve the TREATMNT segments in which you are interested. You do this by specifying the V command code as follows:

```
GN    PATIENTbb
      ILLNESSbb*V
      TREATMNT
```

Using the V command code for a call is like establishing parentage and issuing a subsequent GNP call, except that the V command code sets the parentage for the call it is used with, not for subsequent calls. For example, to satisfy the previous request, you could have set parentage at the ILLNESS segment level and issued a GNP to retrieve any TREATMNT segments under that parent. With the V command code, you specify that you want the ILLNESS segment to be used as parentage for that call.

You can specify the V command code for any parent segment. If you use the V command code with a qualified SSA, it is ignored for that level and for any higher level that contains a qualified SSA.

NULL command code

The null command code (-) enables you to reserve one or more positions in a SSA in which a program can store command codes, if they are needed during program execution.

For example, reserve position for two command codes as follows:

```
GU    PATIENTb*-- (PATN0bbb=b07755)
      ILLNESSbILLDATEb=19930303)
      TREATMNT
```

Using the null command code lets you use the same set of SSAs for more than one purpose. However, dynamically modifying the SSA makes debugging more difficult.

DEDB command codes for DL/I

The M, R, S, W, and Z command codes are only used with a DEDB.

Sample application program

The following examples are based on one sample application program—the recording of banking transactions for a passbook (savings account) account. The transactions are written to a database as either posted or unposted, depending on whether they were posted to the customer's passbook.

For example, when Bob Emery does business with the bank but forgets to bring in his passbook, an application program writes the transactions to the database as unposted. The application program sets a subset pointer to the first unposted transaction, so it can be easily accessed later. The next time Bob remembers to bring in his passbook, a program posts the transactions.

The program can directly retrieve the first unposted transaction using the subset pointer that was previously set. After the program has posted the transactions, it sets the subset pointer to 0. An application program that updates the database later will be able to tell that no unposted transactions exist. The following figure summarizes the processing that is performed when the passbook is unavailable and when it is available.

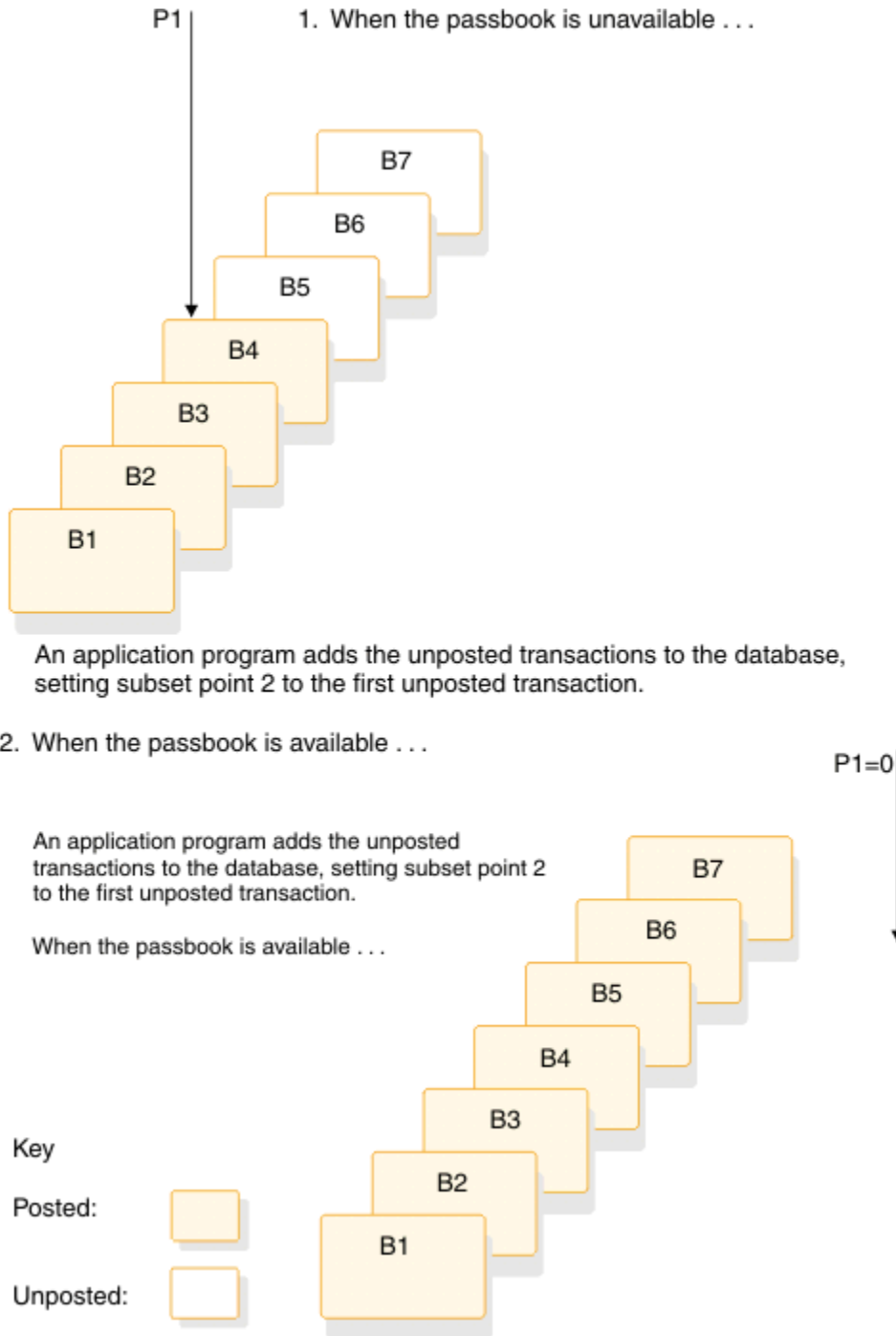


Figure 3. Processing for the passbook example

M command code

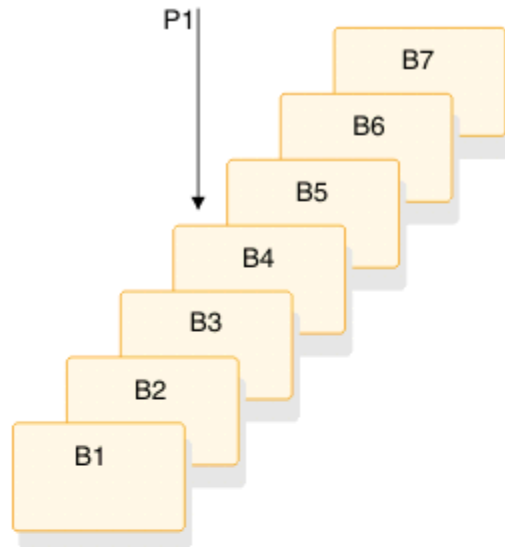
To move the subset pointer forward to the next segment after your current position, your program issues a call with the M command code.

Using the passbook account example, suppose that you want to post some, but not all, of the transactions, and that you want the subset pointer to be set to the first unposted transaction. The following command sets subset pointer 1 to segment B6, as shown in the figure below.

```
GU      Abbbbbbb(AKEYbbb  
        Bbbbbbbb*R1M1
```

If the current segment is the last in the chain, and you use an M command code, IMS sets the pointer to 0.

Before the call:



After the call:

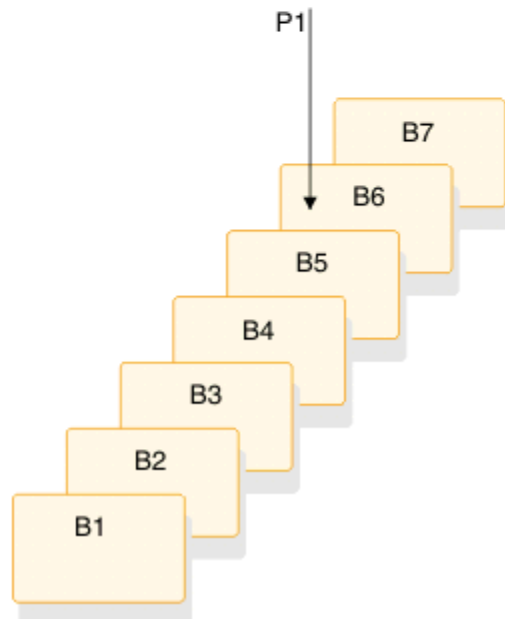


Figure 4. Moving the subset pointer to the next segment after your current position

R command code

To retrieve the first segment occurrence in the subset, your program issues a Get call with the R command code. The R command code does not set or move the pointer. It indicates to IMS that you want to establish position on the first segment occurrence in the subset. The R command code is like the F

command code, except that the R command code applies to the subset instead of to the entire segment chain.

Using the passbook account example, suppose that Bob Emery visits the bank and brings his passbook; you want to post all of the unposted transactions. Because subset pointer 1 was previously set to the first unposted transaction, your program uses the following call to retrieve that transaction:

```
GU      Abbbbbbb(AKEYbbbb=bA1)
        Bbbbbbbb*R1
```

As shown by the following figure, this call retrieves segment B5. To continue processing segments in the chain, you can issue GN calls as you would if you were not using subset pointers.

If the subset does not exist (subset pointer 1 has been set to 0), IMS returns a GE status code, and your position in the database will be immediately following the last segment in the chain. Using the passbook example, the GE status code tells you that no unposted transactions exist.

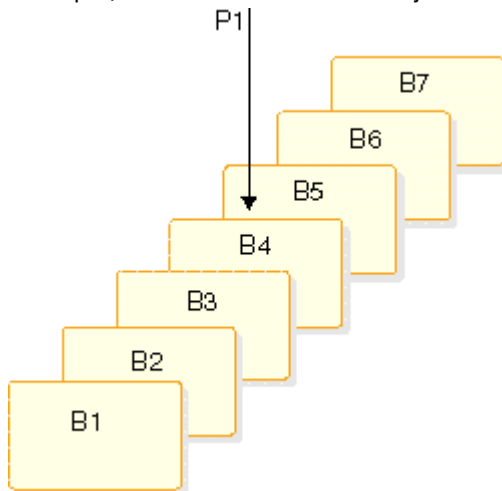


Figure 5. Retrieving the first segment in a chain of segments

You can specify only one R command code for each SSA. If you use more than one R in a SSA, IMS returns an AJ status code to your program.

You can use R with other command codes, except F and Q. Other command codes in a SSA take effect after the R command code has been processed, and after position has been successfully established on the first segment in the subset. If you use the L and R command codes together, the last segment in the segment chain is retrieved. (If the subset pointer that was specified with the R command code, IMS returns a GE status code instead of the last segment in the segment chain.) Do not use the R and F command codes together. If you do, you will receive an AJ status code. The R command code overrides all insert rules, including LAST.

S command code

To set a subset pointer unconditionally, regardless of whether it is already set, your program issues a call with the S command code.

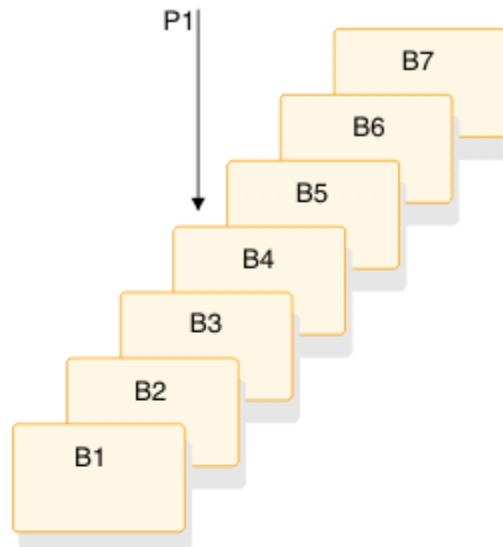
When your program issues a call that includes the S command code, IMS sets the pointer to your current position.

For example, to retrieve the first B segment occurrence in the subset defined by subset pointer 1 and to reset pointer 1 at the next B segment occurrence, you would issue the following commands:

```
GU      Abbbbbbb(AKEYbbb=bB1)
        Bbbbbbbb*R1
GN      Bbbbbbbb*S1
```

After you issue this call, instead of pointing to segment B5, subset pointer 1 points to segment B6, as shown in the following figure.

Before the call:



After the call:

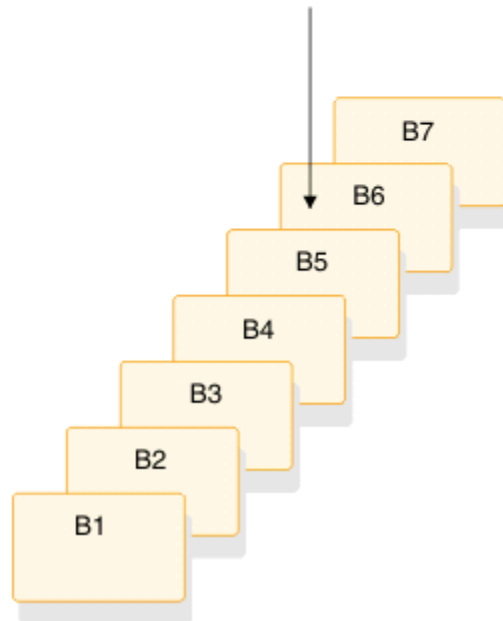


Figure 6. Unconditionally setting the subset pointer to your current position

W command code

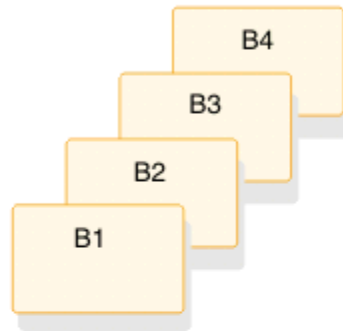
Like the S command code, the W command code sets the subset pointer conditionally. Unlike the S command code, the W command code updates the subset pointer only if the subset pointer is not already set to a segment.

For example, using the passbook example, suppose that Bob Emery visits the bank and forgets to bring his passbook. You add the unposted transactions to the database. You want to set the pointer to the first unposted transaction, so that later, when you post the transactions, you can immediately access the first one. The following call sets the subset pointer to the transaction you are inserting if it is the first unposted one.

```
ISRT      Abbbbbbb(AKEYbbbb=bA1)
          Bbbbbbbb*W1
```

As shown by the following figure, this call sets subset pointer 1 to segment B5. If unposted transactions already exist, the subset pointer is not changed.

Before the call:



After the call:

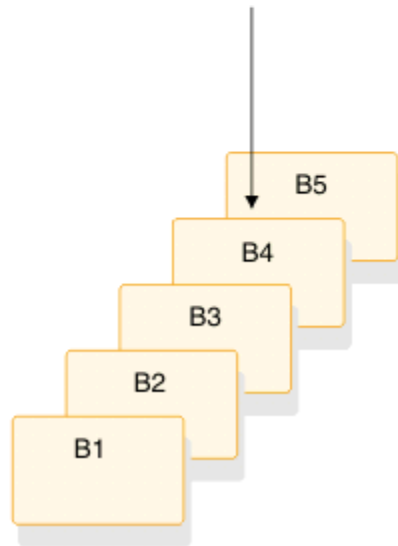


Figure 7. Conditionally setting the subset pointer to your current position

Z command code

The Z command code sets the value of the subset pointer to 0. After your program issues a call with the Z command code, the pointer is no longer set to a segment, and the subset defined by that pointer no longer exists.

IMS returns a status code of GE to your program if you try to use a subset pointer having a value of 0.

For example, using the passbook example, suppose that you used the R command code to retrieve the first unposted transaction. You then process the chain of segments, posting the transactions. After posting the transactions and inserting any new ones into the chain, use the Z command code to set the subset pointer to 0 as shown in the following call:

```
ISRT      Abbbbbbb(AKEYbbbb=bA1)
          Bbbbbbbb*Z1
```

After this call, subset pointer 1 is set to 0, which indicates to a program that subsequently updates the database that no unposted transactions exist.

Relationship between calls, AIBs, and PCBs

The following table shows the relationship of calls to full function (FF), main storage database (MSDB), data entry database (DEDB), I/O, and general sequential access method (GSAM) PCBs.

Table 56. Call relationship to PCBs

CALL	AIB	FF PCBs	MSDB PCBs	DEDB PCBs	I/O PCBs	GSAM PCBs
APSB	X					
CHKP	X				X	
CIMS	X					
CLSE	X					X
DEQ	X			X	X	
DLET	X	X	X	X		
DPSB	X					
FLD	X		X	X		
GHN	X	X	X	X		
GHNP	X	X	X	X		
GHU	X	X	X	X		
GMSG	X					
GN	X	X	X	X	X	X
GNP	X	X	X	X		
GSCD ¹	X	X	X	X	X	
GU	X	X	X	X	X	X
ICMD	X					
INIT	X				X	
INQY	X					
ISRT	X	X	X	X	X	X
LOG	X				X	
OPEN	X					X
PCB ²						
POS	X			X		
RCMD	X					
REPL	X	X	X	X		
ROLB	X				X	
ROLL ²						
ROLS	X	X			X	
SETS/SETU	X				X	
SNAP ³	X	X	X	X	X	

Table 56. Call relationship to PCBs (continued)

CALL	AIB	FF PCBs	MSDB PCBs	DEDB PCBs	I/O PCBs	GSAM PCBs
STAT ⁴	X	X				
SYNC	X				X	
TERM ²						
XRST	X				X	

Note:

1. GSCD is a Product-sensitive Programming Interface.
2. The PCB, ROLL, and TERM calls do not have an associated PCB.
3. SNAP is a Product-sensitive Programming Interface.
4. STAT is a Product-sensitive Programming Interface.

DL/I test program (DFSDDLTO) reference

DFSDDLTO is an IMS application program test tool that issues calls to IMS based on control statement information. You can use it to verify and debug DL/I calls independently of application programs. You can run DFSDDLTO using any PSB, including those that use an IMS-supported language. You can also use DFSDDLTO as a general-purpose database utility program.

The functions that DFSDDLTO provides include:

- Issuing any valid DL/I call against any database using:
 - Any segment search argument (SSA) or PCB, or both
 - Important:** Calls that use a PCB must have specified LIST=YES in the PSB.
 - Any SSA or AIB, or both
- Comparing the results of a call to expected results. This includes the contents of selected PCB fields, the data returned in the I/O area, or both.
- Printing the control statements, the results of calls, and the results of comparisons only when the output is useful, such as after an unequal compare.
- Dumping DL/I control blocks, the I/O buffer pool, or the entire batch region.
- Punching selected control statements into an output file to create new test data sets. This simplifies the construction of new test cases.
- Merging multiple input data sets into a single input data set using a SYSIN2 DD statement in the JCL. You can specify the final order of the merged statements in columns 73 to 80 of the DFSDDLTO control statements.
- Sending messages to the z/OS system console (with or without a reply).
- Repeating each call up to 9,999 times.

Control statements

DFSDDLTO processes control statements to control the test environment. DFSDDLTO can issue calls to IMS full-function databases and Fast Path databases, as well as DC calls.

When you are coding the DFSDDLTO control statements, keep these items in mind:

- You must fill in column 1 of each control statement. If column 1 is blank, the statement type defaults to the prior statement type. DFSDDLTO attempts to use any remaining characters as it would for the prior statement type.
- Use of reserved fields can produce invalid output and unpredictable results.

- Statement continuations are important, especially for the CALL statement.
- Sequence numbers are not required, but they can be very useful for some DFSDDLTO functions.
- All codes and fields in the DFSDDLTO statements must be left justified followed by blanks, unless otherwise specified.

Control statement guidelines

The order of control statements is critical in constructing a successful call. To avoid unpredictable results, follow these guidelines:

- If you are using STATUS and OPTION statements, place them somewhere before the calls that are to use them.
- Both types of COMMENT statements are optional but, if present, must appear before the call they document.
- You must code CALL FUNCTION statements and any required SSAs consecutively without interruption.
- CALL DATA statements must immediately follow the last continuation, if any, of the CALL FUNCTION statements.
- COMPARE statements are optional but must follow the last CALL (FUNCTION or DATA) statement.
- When CALL FUNCTION statements, CALL DATA statements, COMPARE DATA statements, COMPARE PCB statements, and COMPARE AIB statements are coded together, they form a call sequence. Do not interrupt call sequences with other DFSDDLTO control statements.

Exception: IGNORE statements are the only exception to this rule.

- Use IGNORE statements (N or period (.)) to override any statement, regardless of its position in the input stream. You can use IGNORE statements in either SYSIN or SYSIN2 input streams.

Related reference

[“SYSIN DD statement” on page 257](#)

The data set specified by the SYSIN DD statement is the normal input data set for DFSDDLTO. When processing input data that is on direct-access or tape, you may want to override certain control statements in the SYSIN input stream or to add other control statements to it. You do this with a SYSIN2 DD statement and the control statement sequence numbers.

[“SYSIN2 DD statement” on page 258](#)

DFSDDLTO does not require the SYSIN2 DD statement, but if it is present in the JCL, DFSDDLTO will read and process the specified data sets.

[“PUNCH CTL statement” on page 250](#)

The PUNCH CTL statement allows you to produce an output data set consisting of COMPARE PCB statements, COMPARE DATA statements, COMPARE AIB statements, other control statements, or combinations of these statements.

ABEND statement

The ABEND statement causes IMS to issue an abend and terminate DFSDDLTO.

The following table shows the format of the ABEND statement.

Column	Function	Code	Description
1-5	Identifies control statement	ABEND	Issues abend U252. (No dump is produced unless you code DUMP on the OPTION statement.)
6-72	Reserved	b	
73-80	Sequence indication	nnnnnnnn	For SYSIN2 statement override.

Examples of ABEND statement

If you use ABEND in the input stream and want a dump, you must specify DUMP on the OPTION statement. The default on the OPTION statement is NODUMP.

```
|---+---1---+---2---+---3---+---4---+---5---+---6---+---7---+---<
ABEND                                                                    22100010
```

Dump will be produced; OPTION statement provided requests dump.

```
|---+---1---+---2---+---3---+---4---+---5---+---6---+---7---+---<
0 DUMP                                                                    22100010
```

No dump will be produced; OPTION statement provided requests NODUMP.

```
|---+---1---+---2---+---3---+---4---+---5---+---6---+---7---+---<
0 NODUMP                                                                    22100010
```

CALL statement

The CALL control statement has two parts: CALL FUNCTION and CALL DATA.

- The CALL FUNCTION statement supplies the DL/I call function, the segment search arguments (SSAs), and the number of times to repeat the call. SSAs are coded according to IMS standards.
- With the CALL DATA statement you provide any data (database segments, z/OS commands, checkpoint IDs) required by the DL/I call specified in the CALL FUNCTION statement.

Examples of DFSDDLTO call functions

STAK/END Call: The following example shows the STAK and END call functions.

```
//BATCH.SYSIN DD *                                                                    10000700
|---+---1---+---2---+---3---+---4---+---5---+---6---+---7---+---<
0 SNAP= ,ABORT=0                                                                    10000800
S 1 1 1 1 1                                                                    10001000
L      GU      SEGA      (KEYA      =A300)    10001100
L      0003 STAK    10001150
WTO THIS IS PART OF THE STAK                10001200
T THIS COMMENT IS PART OF THE STAK          10001300
L      GN      10001400
L      END     10001450
U THIS COMMENT SHOULD GET PRINTED AFTER THE STAK IS DONE 3 TIMES 10001500
L      0020 GN  10001600
/*
```

SKIP/START Call: The following example demonstrates the use of the SKIP and START call functions in SYSIN2 to override and stop the processing of the STAK and END call functions in SYSIN. DFSDDLTO executes the GU call function in SYSIN, skips the processing of STACK, WTO, T comment, GN, and END in SYSIN, and goes to the COMMENT.

```
//BATCH.SYSIN DD *                                                                    10000700
|---+---1---+---2---+---3---+---4---+---5---+---6---+---7---+---<
0 SNAP= ,ABORT=0                                                                    10000800
S 1 1 1 1 1                                                                    10001000
L      GU      SEGA      (KEYA      =A300)    10001100
L      0003 STAK    10001150
WTO THIS IS PART OF THE STAK                10001200
T THIS COMMENT IS PART OF THE STAK          10001300
L      GN      10001400
L      END     10001450
U THIS COMMENT SHOULD GET PRINTED AFTER THE STAK IS DONE 3 TIMES 10001500
L      0020 GN  10001600
/*
//BATCH.SYSIN2 DD *
|---+---1---+---2---+---3---+---4---+---5---+---6---+---7---+---<
L      SKIP    10001150
L      START   10001450
U THIS COMMENT SHOULD REPLACE THE STAK COMMENT 10001500
```

CALL FUNCTION statement

The following table gives the format for CALL FUNCTION statements, including the column number, function, code, and description.

This is the preferred format when you are not working with column-specific SSAs.

Table 58. CALL FUNCTION statement

Column	Function	Code	Description
1	Identifies control statement	L	Issues an IMS call.
2	Reserved	b	
3	SSA level	b	SSA level (optional).
		n	Range of hexadecimal characters allowed is 1-F.
4	Reserved	b	
5-8	Repeat count	b	If blank, repeat count defaults to 1.
		nnnn	'nnnn' is the number of times to repeat this call. Range is 1 to 9999, right-justified, with or without leading zeros.
9	Reserved	b	
10-13	Identifies DL/I call function	b	If blank, use function from previous CALL statement.
		xxxx	'xxxx' is a DL/I call function.

Table 58. CALL FUNCTION statement (continued)

Column	Function	Code	Description
	Continue SSA	CONT	Continuation indicator for SSAs too long for a single CALL FUNCTION statement. Column 72 of the preceding CALL FUNCTION statement must have an entry. The next CALL statement should have CONT in columns 10 - 13 and the SSA should continue in column 16.
14-15	Reserved	b	
16-23 or	SSA name	XXXXXXXX	Must be left-justified.
16-23 or	Token	XXXXXXXX	Token name (SETS/ROLS).
16-23 or	MOD name	XXXXXXXX	Modname (PURG+ISRT).
16-23 or	Subfunction	XXXXXXXX	nulls, DBQUERY, FIND, ENVIRON, ENVIRON2, PROGRAM (INQY).
16-19 and	Statistics type	XXXX	DBAS/DBES-OSAM or VBAS/VBES-VSAM (STAT). ²
20 or	Statistics format	x	F - Formatted U- Unformatted S - Summary.
16-19	SETO ID ¹	SETx	Where x is 1, 2, or 3. Specified on SETO and CHNG calls as defined in Note.

Table 58. CALL FUNCTION statement (continued)

Column	Function	Code	Description
21-24	SETO IOAREA SIZE	nnnn	Value of 0000 to 8192. If a value greater than 8192 is specified, it defaults to 8192. If no value is specified, the call is made with no SETO size specified.
24-71	Remainder of SSA		Unqualified SSAs must be blank. Qualified search arguments should have either an '*' or a '(' in column 24 and follow IMS SSA coding conventions.
72	Continuation column	b	No continuations for this statement.
		x	Alone, it indicates multiple SSAs each beginning in column 16 of successive statements. With CONT in columns 10-13 of the next statement, indicates a single SSA that is continued beginning in column 16 of the following statement.
73-80	Sequence indication	nnnnnnnn	For SYSIN2 statement override.
25-32	OTMA descriptor name	xxxxxxxx	8-byte character field (ICAL).
34-39	The wait time for the synchronous call to be processed	nnnnnn	6-byte character field with a range from 1 to 999999 (ICAL).

Table 58. CALL FUNCTION statement (continued)

Column	Function	Code	Description
41-45	The input message length	nnnnn	The length of the input data in the request area (ICAL).
47-51	The response area length	nnnnn	The length of the response area for the output message (ICAL).

Note:

1. SETO CALL:

The SETO ID (SET1, SET2, or SET3) is required on the SETO call if DFSDDLTO is to keep track of the text unit address returned on the SETO call that would be passed on the CHNG call for option parameter TXTU.

If the SETO ID is omitted on the SETO call, DFSDDLTO does not keep track of the data returned and is unable to reference it on a CHNG call.

CHNG CALL:

The SETO ID (SET1, SET2, or SET3) is required on the CHNG call if DFSDDLTO is to place the address of the SETO ID I/O area returned on the SETO call. This is the SETO call of the text unit returned on the SETO call with a matching SETO ID for this CHNG call into the "TXTU=ADDR" field of the option parameter in the CHNG call.

When the SETO ID is specified on the CHNG call, DFSDDLTO moves the address of that text unit returned on the SETO call using the same SETO ID.

Code the OPTION statement parameter TXTU as follows: TXTU=xxxx where xxxx is any valid non-blank character. It cannot be a single quote character.

Suggested value for xxxx could be SET1, SET2, or SET3. This value is not used by DFSDDLTO.

2. STAT is a Product-sensitive Programming Interface.

This information applies to different types of continuations:

- Column 3, the SSA level, is usually blank. If it is blank, the first CALL FUNCTION statement fills SSA 1, and each following CALL FUNCTION statement fills the next lower SSA. If column 3 is not blank, the statement fills the SSA at that level, and the following CALL FUNCTION statement fills the next lower one.
- Columns 5 through 8 are usually blank, but if used, must be right justified. The same call is repeated as specified by the repeat call function.
- Columns 10 through 13 contain the DL/I call function. The call function is required only for the first CALL FUNCTION statement when multiple SSAs are in a call. If left blank, the call function from the previous CALL FUNCTION statement is used.
- Columns 16 through 23 contain the segment name if the call uses a SSA.
- If the DL/I call contains multiple SSAs, the statement must have a nonblank character in column 72, and the next SSA must start in column 16 of the next statement. The data in columns 1 and 10 through 13 are blank for the second through last SSAs.

Restriction: On ISRT calls, the last SSA can have only the segment name with no qualification or continuation.

- If a field value extends past column 71, put a nonblank character in column 72. (This character is not read as part of the field value, only as a continuation character.) In the next statement insert the keyword CONT in columns 10 through 13 and continue the field value starting at column 16.

- Maximum length for the field value is 256 bytes, maximum size for a SSA is 290 bytes, and the maximum number of SSAs for this program is 15, which is the same as the IMS limit.
- If columns 5 through 8 in the CALL FUNCTION statement contain a repeat count for the call, the call will terminate when reaching that count, unless it first encounters a GB status code.

Related reference

“CALL FUNCTION statement with column-specific SSAs” on page 224

In this format, the SSA has intervening blanks between fields. Columns 24, 34, and 37 must contain blanks.

CALL FUNCTION statement with column-specific SSAs

In this format, the SSA has intervening blanks between fields. Columns 24, 34, and 37 must contain blanks.

Command codes are not permitted. The following table gives the format for the CALL FUNCTION statement with column-specific SSAs.

Table 59. CALL FUNCTION statement (column-specific SSAs)

Column	Function	Code	Description
1	Identifies control statement	L	Call statement (see columns 10-13).
2	Reserved	b	
3	Reserved	b	
4	Reserved	b	
5-8	Repeat Count	b	If blank, repeat count defaults to 1.
		nnnn	'nnnn' is the number of times to repeat this call. Range 1 to 9999, right-justified but need not contain leading zeros.
10-13	Identifies DL/I call function	b	If blank, use function from previous CALL statement.
		xxxx	'xxxx' is a DL/I call function.
		CONT	Continuation indicator for SSAs too long for a single CALL FUNCTION statement. Column 72 of preceding CALL FUNCTION statement must contain a nonblank character. The next CALL statement should have CONT in columns 10 through 13 and the SSA should continue in column 16.
14-15	Reserved	b	
16-23	SSA name	s-name	Required if call contains SSA.
24	Reserved	b	Separator field.
25	Start character for SSA (Required if segment is qualified.
26-33	SSA field name	f-name	Required if segment is qualified.
34	Reserved	b	Separator field.
35-36	DL/I call operator(s)	name	Required if segment is qualified.
37	Reserved	b	Separator field.

Table 59. CALL FUNCTION statement (column-specific SSAs) (continued)

Column	Function	Code	Description
38-nn	Field value	nnnnn	Required if segment is qualified. Note: Do not use '5D' or ')' in field value.
nn+1	End character for SSA)	Required if segment is qualified.
72	Continuation column	b	No continuations for this statement.
		x	Alone, it indicates multiple SSAs each beginning in column 16 of successive statements. With CONT in columns 10-13 of the next statement, indicates a single SSA that is continued beginning in column 16 of the following statement
73-80	Sequence indication	nnnnnnnn	For SYSIN2 statement override.

If a CALL FUNCTION statement contains multiple SSAs, the statement must have a nonblank character in column 72 and the next SSA must start in column 16 of the next statement. If a field value extends past column 71, put a nonblank character in column 72. In the next statement insert the keyword CONT in columns 10 through 13 and continue the field value starting at column 16. Maximum length for field value is 256 bytes, maximum size for a SSA is 290 bytes, and the maximum number of SSAs for this program is 15, which is the same as the IMS limit.

Related reference

“CALL FUNCTION statement” on page 220

The following table gives the format for CALL FUNCTION statements, including the column number, function, code, and description.

CALL DATA statement

CALL DATA statements provide IMS with information normally supplied in the I/O area for that type of call function.

CALL DATA statements must follow the last CALL FUNCTION statement. You must enter an L in column 1, the keyword DATA in columns 10 through 13, and code the necessary data in columns 16 through 71. You can continue data by entering a nonblank character in column 72. On the continuation statement, columns 1 through 15 are blank and the data resumes in column 16. The following table shows the format for a CALL DATA statement.

Table 60. CALL DATA statement

Column	Function	Code	Description
1	Identifies control statement	L	CALL DATA statement.
2	Increase segment length	K	Adds 2500 bytes to the length of data defined in columns 5 through 8.
3	Propagate remaining I/O indicator	P	Causes 50 bytes (columns 16 through 65) to be propagated through remaining I/O area. Note: This must be the last data statement and cannot be continued.
4	Format options	b	Not a variable-length segment.

Table 60. CALL DATA statement (continued)

Column	Function	Code	Description
		V	For the first statement describing the only variable-length segment or the first variable-length segment of multiple variable-length segments, LL field is added before the segment data.
		M	For statements describing the second through the last variable-length segments, LL field is added before the segment data.
		P	For the first statement describing a fixed-length segment in a path call.
		Z	For message segment, LLZZ field is added before the data.
		U	Undefined record format for GSAM records. The length of segment for an ISRT is placed in the DB PCB key feedback area.
5-8	Length of data in segment	nnnn	This value must be right justified but need not contain leading zeros. If you do not specify a length, DFSDDLT0 will use the number of DATA statements read multiplied by 56 to derive the length.
9	Reserved	b	
10-13	Identifies CALL DATA statement	DATA	Identifies this as a DATA statement.
14-15	Reserved	b	
16-71	Data area	xxxx	Data that goes in the I/O area.
	or		
16-23	Checkpoint ID		Checkpoint ID (SYNC).
	or		
16-23	Destination name		Destination name (CHNG).
	or		
16	DEQ option		DEQ options (A,B,C,D,E,F,G,H,I, or J).
72	Continuation column	b	If no more continuations for this segment.
		x	If more data for this segment or more segments.
73-80	Sequence indication	nnnnnnnn	For SYSIN2 statement override.

When inserting variable-length segments or including variable-length data for a CHKP or LOG call:

- You must use a V or M in column 4 of the CALL DATA statement.
- Use V if only one variable-length segment is being processed.
- You must enter the length of the data with leading zeros, right justified, in columns 5 through 8. The value is converted to binary and becomes the first 2 bytes of the segment data.

- You can continue a CALL DATA statement into the next CALL DATA statement by entering a nonblank character in column 72. For subsequent statements, leave columns 1 through 15 blank, and start the data in column 16.

If multiple variable-length segments are required (that is, concatenation of logical child and logical parent segments, both of which are variable-length) for the first segment:

- You must enter a V in column 4.
- You must enter the length of the first segment in columns 5 through 8.
- If the first segment is longer than 56 bytes, continue the data as described for inserting variable-length segments.

Exceptions:

- The last CALL DATA statement to contain data for this segment must have a nonblank character in column 72.
- The next CALL DATA statement applies to the next variable-length statement and must contain an M in column 4 and the length of the segment in columns 5 through 8.

You can concatenate any number of variable-length segments in this manner. Enter M or V and the length (only in CALL DATA statements that begin data for a variable-length segment).

When a program is inserting or replacing through path calls:

- Enter a P in column 4 to specify that the length field is to be used as the length the segment will occupy in the user I/O area.
- You only need to use P in the first statement of fixed-length-segment CALL DATA statements in path calls that contain both variable- and fixed-length segments.
- You can use V, M, and P in successive CALL DATA statements.

For INIT, SETS, ROLS, and LOG calls:

- The format of the I/O area is

```
LLZZuser-data
```

where LL is the length of the data in the I/O area, including the length of the LLZZ portion.

- If you want the program to use this format for the I/O area, enter a Z in column 4 and the length of the data in columns 5 through 8. The length in columns 5 through 8 is the length of the data, not including the 4-byte length of LLZZ.

OPTION DATA statement

The OPTION DATA statement contains options as required for SETO and CHNG calls.

The following table shows the format for an OPTION DATA statement, including the column number, function, code, and description.

Table 61. OPTION DATA statement

Column	Function	Code	Description
1	Identifies control statement	L	OPTION statement.
2-9	Reserved	b	
10-13	Identifies	OPT	Identifies this as OPTION statement.
		CONT	Identifies this as a continuation of an option input.
14-15	Reserved	b	
16-71	Option area	xxxx	Options as defined for SETO and CHNG call.

Table 61. OPTION DATA statement (continued)

Column	Function	Code	Description
72	Continuation column	b	If no more continuations for options.
		x	If more option data exists in following statement.
73-80	Sequence number	nnnnnnnn	For SYSIN2 statement override.

FEEDBACK DATA statement

The FEEDBACK DATA statement defines an area to contain feedback data.

The FEEDBACK DATA statement is optional. However, if the FEEDBACK DATA statement is used, an OPTION DATA statement is required.

The following table shows the format for a FEEDBACK DATA statement, including the column number, function, code, and description.

Table 62. FEEDBACK DATA statement

Column	Function	Code	Description
1	Identifies control statement	L	FEEDBACK statement.
2-3	Reserved	b	
4	Format option	b	Feedback area contains LLZZ.
		Z	Length of feedback area will be computed and the LLZZ will be added to the feedback area.
5-8	Length of feedback area	nnnn	This value must be right justified but need not contain leading zeros. If you do not specify a length, DFSDDLTO uses the number of FDBK inputs read multiplied by 56 to derive the length.
2-9	Reserved	b	
10-13	Identifies	FDBK	Identifies this as feedback statement and continuation of feedback statement.
14-15	Reserved	b	
16-71	Feedback area	xxxx	Contains user pre-defined initialized area.
72	Continuation column	b	If no more continuations for feedback.
		x	If more feedback data exists in following statement.
73-80	Sequence number	nnnnnnnn	For SYSIN2 statement override.

DL/I call functions

The following table shows the DL/I call functions supported in DFSDDLTO and which ones require data statements.

Table 63. DL/I call functions

Call	AIB Support	PCB Support	Data Stmt ¹	Description
CHKP	yes	yes	R	Checkpoint.

Table 63. DL/I call functions (continued)

Call	AIB Support	PCB Support	Data Stmt 1	Description
CHNG	yes	yes	R	Change alternate PCB.
			R	Contains the alternate PCB name option statement and feedback statement optional.
CMD	yes	yes	R	Issue IMS command. This call defaults to I/O PCB.
DEQ	yes	yes	R	Dequeue segments locked with the Q command code. For full function, this call defaults to the I/O PCB, provided a DATA statement containing the class to dequeue immediately follows the call. For Fast Path, the call is issued against a DEDB PCB. Do not include a DATA statement immediately following the DEQ call.
DLET	yes	yes	O	Delete. If the data statement is present, it is used. If not, the call uses the data from the previous Get Hold Unique (GHU).
FLD	yes	yes	R	Field—for Fast Path MSDB calls using FSAs. This call references MSDBs only. If there is more than one FSA, put a nonblank character in column 34, and put the next FSA in columns 16-34 of the next statement. A DATA statement containing FSA is required.
GCMD	yes	yes	N	Get command response. This call defaults to I/O PCB.
GHN	yes	yes	O ²	Get Hold Next.
GHNP	yes	yes	O ²	Get Hold Next in Parent.
GHU	yes	yes	O ²	Get Hold Unique.
GMSG³	yes	no	R	Get Message is used in an automated operator (AO) application program to retrieve a message from an AO exit routine (DFSAOE00 or another AOIE type user exit). The DATA statement is required to allow for area in which to return data. The area must be large enough to hold this returned data.
GN	yes	yes	O ²	Get Next segment.
GNP	yes	yes	O ²	Get Next in Parent.
GU	yes	yes	O ²	Get Unique segment.
GUR	yes	no	R	Get Unique Record from the IMS catalog database. Tip: Specify LCASE=C on the OPTION statement to make the records, which are returned as XML instance documents, more readable.
ICAL	yes	no	R	IMS Call enables an application program that runs in the IMS TM environment to send a synchronous request for data or services to a non-IMS application program or service that runs in a z/OS or distributed environment.

Table 63. DL/I call functions (continued)

Call	AIB Support	PCB Support	Data Stmt 1	Description
ICMD ³	yes	no	R	Issue Command enables an automated operator (AO) application program to issue an IMS command and retrieve the first command response segment. The DATA statement is required to contain the input command and to allow for area in which to return data. The area must be large enough to hold this returned data.
INIT	yes	yes	R	Initialization This call defaults to I/O PCB. A DATA statement is required. Use the LLZZ format.
INQY ³	yes	no	R	Request environment information using the AIB and the ENVIRON subfunction. The DATA statement is required to allow for area in which to return data. The area must be large enough to hold this returned data.
			R	Request database information using the AIB and the DBQUERY subfunction, which is equivalent to the INIT DBQUERY call. The DATA statement is required to allow for area in which to return data. The area must be large enough to hold this returned data.
ISRT	yes	yes		Insert.
			R	DB PCB, DATA statement required.
			O	I/O PCB using I/O area with MOD name, if any, in columns 16-23.
			R	Alt PCB.
LOG	yes	yes	R	Log system request. This call defaults to I/O PCB. DATA statement is required and can be specified in one of two ways.
POS	yes	yes	N	Position - for DEDBs to determine a segment location. This call references DEDBs only.
PURG	yes	yes		Purge.
			R	This call defaults to use I/O PCB. If column 16 is not blank, MOD (message output descriptor) name is used and a DATA statement is required.
			O	If column 16 is blank, the DATA statement is optional.
RCMD ³	yes	no	R	Retrieve Command enables an automated operator (AO) application program to retrieve the second and subsequent command response segments after an ICMD call. The DATA statement is required to allow for area in which to return data. The area must be large enough to hold this returned data.
REPL	yes	yes	R	Replace—This call references DB PCBs only. The DATA statement is required.
RLSE	yes	yes	N	Release all locks held by an application that are for unmodified data.
ROLB	yes	yes	O	Roll Back call.

Table 63. DL/I call functions (continued)

Call	AIB Support	PCB Support	Data Stmt 1	Description
ROLL	no	yes	O	Roll Back call and issue U778 abend.
ROLS	yes	yes	O	Back out updates and issue 3303 abend. Uses the I/O PCB. Can be used with the SETS call function. To issue a ROLS with an I/O area and token as the fourth parameter, specify the 4-byte token in column 16 of the CALL statement. Leaving columns 16-19 blank will cause the call to be made without the I/O area and the token. (To issue a ROLS using the current DB PCB, use ROLX.)
ROLX	yes	yes	O	Roll call against the DB PCB (DFSDDLTO call function). This call is used to request a Roll Back call to DB PCB, and is changed to ROLS call when making the DL/I call.
SETO	yes	yes	N	Set options. OPTION statement required. FEEDBACK statement optional.
SETS/SETU	yes	yes	O	Create or cancel intermediate backout points. Uses I/O PCB. To issue a SETS with an I/O area and token as the fourth parameter, specify the four-byte token in column 16 of the CALL statement and include a DATA statement. Leaving columns 16-19 blank will cause the call to be made without the I/O area and the token.
SNAP ⁴	yes	yes	O	Sets the identification and destination for snap dumps. If a SNAP call is issued without a CALL DATA statement, a snap of the I/O buffer pools and control blocks will be taken and sent to LOG if online and to PRINTDD DCB if batch. The SNAP ID will default to SNAPxxxx where xxxx starts at 0000 and is incremented by 1 for every SNAP call without a DATA statement. The SNAP options default to YYYYN. If a CALL DATA statement is used, columns 16-23 specify the SNAP destination, columns 24-31 specify the SNAP identification, and columns 32-35 specify the SNAP options. SNAP options are coded using 'Y' to request a snap dump and 'N' to prevent it. Column 32 snaps the I/O buffer pools, columns 33 and 34 snap the IMS control blocks and column 35 snaps the entire region. The SNAP call function is only supported for full-function database PCB.

Table 63. DL/I call functions (continued)

Call	AIB Support	PCB Support	Data Stmt 1	Description
STAT ⁵	yes	yes	O	<p>The STAT call retrieves statistics on the IMS system. This call must reference only full-function DB PCBs. Statistics type is coded in columns 16-19 of the CALL FUNCTION statement.</p> <p>DBAS For OSAM database buffer pool statistics.</p> <p>VBAS For VSAM database subpool statistics.</p> <p>Statistics format is coded in column 20 of the CALL FUNCTION statement.</p> <p>F For the full statistics to be formatted if F is specified, the I/O area must be at least 360 bytes.</p> <p>U For the full statistics to be unformatted if U is specified, the I/O area must be at least 72 bytes.</p> <p>S For a summary of the statistics to be formatted if S is specified, the I/O area must be at least 120 bytes.</p>
SYNC	yes	yes	R	Synchronization.
XRST	yes	yes	R	Restart.

Notes:

1. R = required; O = optional; N = none
2. The data statement and I/O area size is required on the AIB interface.
3. Valid only on the AIB interface.
4. SNAP is a Product-sensitive Programming Interface.
5. STAT is a Product-sensitive Programming Interface.

Examples of DL/I call functions

The following examples show how to use the DL/I call functions.

Basic CHKP Call: Use a CALL FUNCTION statement to contain the CHKP function and a CALL DATA statement to contain the checkpoint ID.

```

|-----1-----2-----3-----4-----5-----6-----7-----<
L          CHKP                               10101400
L          DATA  TESTCKPT

```

Symbolic CHKP Call with Two Data Areas to Checkpoint: Use a CALL FUNCTION statement to contain the CHKP function, a CALL DATA statement to contain the checkpoint ID data, and two CALL DATA statements to contain the data that you want to checkpoint.

You also need to use an XRST call when you use the symbolic CHKP call. Prior usage of an XRST call is required when using the symbolic CHKP call, as the CHKP call keys on the XRST call for symbolic CHKP.

Recommendation: Issue an XRST call as the first call in the application program.

```

|-----1-----2-----3-----4-----5-----6-----7-----<
L          XRST

```

```

L      .
L      .
L      .
L      CHKP
L      DATA  TSTCHKP2                                X
L      8 DATA  STRING2-                               X
L      16 DATA  STRING2-STRING2-
U EIGHT BYTES OF DATA (STRING2-) IS CHECKPOINTED AND
U SIXTEEN BYTES OF DATA (STRING2-STRING2-) IS CHECKPOINTED ALSO

```

CHNG Call: Use a CALL FUNCTION statement to contain the CHNG function and a CALL DATA statement to contain the new logical terminal name.

```

|-----1-----2-----3-----4-----5-----6-----7-----<
L      CHNG SET1
L      OPT  IAFP=A1M,PRTO=LLOPTION1,OPTION2,
L      CONT OPTION4
L Z0023 DATA DESTNAME

```

LL is the hex value of the length of LLOPTION,.....OPTION4.

The following is an example of a CHNG statement using SETO ID SET2, OPTION statement, DATA statement with MODNAME, and FDBK statement.

```

|-----1-----2-----3-----4-----5-----6-----7-----<
L      CHNG SET2
L      OPT  IAFP=A1M,XTTU=SET2
L Z0023 DATA DESTNAME
L Z0095 FDBK FEEDBACK AREA

```

CMD Call: Use a CALL FUNCTION statement to contain the CMD function and a CALL DATA statement to contain the Command data.

```

|-----1-----2-----3-----4-----5-----6-----7-----<
L      CMD
L ZXXXX DATA  COMMAND DATA

WHERE XXXX = THE LENGTH OF THE COMMAND DATA

```

DEQ Call: For full function, use a CALL FUNCTION statement to contain the DEQ function and a CALL DATA statement to contain the DEQ value (A,B,C,D,E,F,G,H,I or J).

```

|-----1-----2-----3-----4-----5-----6-----7-----<
L      DEQ
L      DATA  A

```

For Fast Path, use a CALL FUNCTION statement to contain the DEQ function.

```

|-----1-----2-----3-----4-----5-----6-----7-----<
L      DEQ

```

DLET Call: Use a CALL FUNCTION statement to contain the DLET function. The data statement is optional. If there are intervening calls to other PCBs between the Get Hold call and the DLET call, you must use a data statement to refresh the I/O area with the segment to be deleted.

```

|-----1-----2-----3-----4-----5-----6-----7-----<
L      DLET

```

FLD Call: Use a CALL FUNCTION statement to contain the FLD function and ROOTSA, and a CALL DATA statement to contain the FSAs.

```

|-----1-----2-----3-----4-----5-----6-----7-----<
L      FLD  ROOTA  (KEYA  =ROOTA)
L      DATA  ???????
L      DATA

```

GCMD Call: Use a CALL FUNCTION statement to contain the GCMD function; no CALL DATA statement is required.

required. The call uses command codes in columns 24 and 25 to construct the path call. This type of call cannot be made with the column-specific SSA format.

```
|-----1-----2-----3-----4-----5-----6-----7-----<
L      GU      SEGA  *D(KEYA  = A200)                *
      SEGF  *D(KEYF  = F250)                *
      SEGG  *D(KEYG  = G251)
```

GUR Call: Use a CALL FUNCTION statement to contain the GUR function and a DATA statement to specify the maximum size of the output area for the returned XML document.

```
|-----1-----2-----3-----4-----5-----6-----7-----<
0  LCASE=C
S1111 1 1 1 1DFSCAT00      AIB
L  U0001 GUR  HEADER (RHDRSEQ EQDBD      DBOHIDK5)
L  Z9999 DATA
```

The following table shows the key lines and elements in the example of the GUR call:

Table 64. Explanation of the example

Line in the example	Explanation
0 LCASE=C	Specifies that DFSDDLT0 uses character representation and not hexadecimal representation for the XML output. Without character representation, you cannot read the returned XML document.
S1111 1 1 1 1DFSCAT00 AIB	Specifies that DFSDDLT0 uses the AIB interface and the DB PCB name is DFSCAT00, which is the system-defined catalog.
L U0001 GUR HEADER	Specifies that IMS is to issue one GUR call. The SSA contains the key field RHDRSEQ, which is used to find a DBD that is named DBOHIDK5.
L Z9999 DATA	Specifies that DFSDDLT0 is to use the maximum data output area, which is 9999 bytes.

If the GUR call returns an XML document that is too large to fit into the output area that is specified by the DATA statement, you must modify the GUR call so that it is repeated. You can repeat the GUR call in one of two ways:

- Set the repeat count on the GUR call (columns 5-8) to the number of times to repeat the call, which is the recommended way. In the following example, U0002 specifies that IMS is to issue two GUR calls:

```
|-----1-----2-----3-----4-----5-----6-----7-----<
L  U0002 GUR  HEADER (RHDRSEQ ==PSB      BMP255 )
L  Z9999 DATA
```

- Use multiple GUR calls:

```
|-----1-----2-----3-----4-----5-----6-----7-----<
L  U0001 GUR  HEADER (RHDRSEQ ==PSB      BMP255 )
L  Z9999 DATA
L  U0001 GUR  HEADER (RHDRSEQ ==PSB      BMP255 )
L  Z9999 DATA
```

Either method produces the same results.

ICAL Call: Use a CALL FUNCTION statement to contain the ICAL function. Use a CALL DATA statement to contain the message to pass from the IMS application to the program that is specified in the IMS OTMA descriptor.

The following example demonstrates how to send a synchronous callout request message to a destination named DESCRPTR with 45 bytes of request data and expect 100 bytes of response data to be returned in a timeout value of 500 (or 5 seconds).

```

|-----1-----2-----3-----4-----5-----6-----7-----<
L      ICAL  SENDRECV  DESCRPTR 000500 00045 00100
L      DATA  HELLO OUT THERE. THIS IS A MESSAGE FROM IMS.

```

ICMD Call: Use a CALL FUNCTION statement to contain the ICMD function. Use a CALL DATA statement to contain the command.

```

|-----1-----2-----3-----4-----5-----6-----7-----<
L      ICMD
L  Z0132 DATA  /DIS ACTIVE

```

INIT Call: Use a CALL FUNCTION statement to contain the INIT call and a CALL DATA statement to contain the INIT function DBQUERY, STATUS GROUPA, or STATUS GROUPB.

```

|-----1-----2-----3-----4-----5-----6-----7-----<
L      INIT
L  Z0011 DATA  DBQUERY 10103210

```

INQY Call: Use a CALL FUNCTION statement to contain the INQY call and either the DBQUERY or ENVIRON subfunction. The subfunctions are in the call input rather than the data input as in the INIT call.

```

|-----1-----2-----3-----4-----5-----6-----7-----<
L      INQY  ENVIRON 10103210
L  V0256 DATA  10103211
L      10103212

```

```

|-----1-----2-----3-----4-----5-----6-----7-----<
L      INQY  DBQUERY 10103210
L  V0088 DATA  10103211
L      10103212

```

ISRT Call: Use two CALL FUNCTION statements to contain the multiple SSAs and a CALL DATA statement to contain the segment data.

```

|-----1-----2-----3-----4-----5-----6-----7-----<
L      ISRT  STOCKSEG(NUMFIELD =20011) X10103210
L      ITEMSSEG 10103211
L  V0018 DATA  300222222222222 10103212

```

ISRT Containing Only One Fixed-Length Segment: Use a CALL FUNCTION statement to contain the ISRT function and segment name, and two CALL DATA statements to contain the fixed-length segment. When inserting only one fixed-length segment, leave columns 4 through 8 blank and put data in columns 16 through 71. To continue data, put a nonblank character in column 72, and the continued data in columns 16 through 71 of the next statement.

```

|-----1-----2-----3-----4-----5-----6-----7-----<
L      ISRT  JOKESSEG 10103210
L      DATA  THEQUICKBLACKDOGJUMPEDONTOTHECRAZYFOXOOPSTHEQUICKBROWNFO*10103211
L      XJUMPEDOVERTHELAZYDOGSIR 10103212

```

ISRT Containing Only One Variable-Length Segment: Use a CALL FUNCTION statement to contain the ISRT function and segment name, and two CALL DATA statements to contain the variable-length segment. When only one segment of variable-length is being processed, you must enter a V in column 4, and columns 5 through 8 must contain the length of the segment data. The length in columns 5 through 8 is converted to binary and becomes the first two bytes of the segment data. To continue data, put a nonblank character in column 72, and the continued data in columns 16 through 71 of the next statement.

```

|-----1-----2-----3-----4-----5-----6-----7-----<
L      ISRT  JOKESSEG 10103210
L  V0080 DATA  THEQUICKBLACKDOGJUMPEDONTOTHECRAZYFOXOOPSTHEQUICKBROWNFO*10103211
L      XJUMPEDOVERTHELAZYDOGSIR 10103212

```

ISRT Containing Multiple Variable-Length Segments: Use a CALL FUNCTION statement to contain the ISRT function and segment name, and four CALL DATA statements to contain the variable-length

segments. For the first segment, you must enter a V in column 4 and the length of the segment data in columns 5 through 8. If the segment is longer than 56 bytes, put a nonblank character in column 72, and continue data on the next statement. The last statement to contain data for this segment must have a nonblank character in column 72.

The next DATA statement applies to the next variable-length segment and it must contain an M in column 4, the length of the new segment in columns 5 through 8, and data starting in column 16. Any number of variable-length segments can be concatenated in this manner. If column 72 is blank, the next statement must have the following:

- An L in column 1
- An M in column 4
- The length of the new segment in columns 5 through 8
- The keyword DATA in columns 10 through 13
- Data starting in column 16

```
|---+---1---+---2---+---3---+---4---+---5---+---6---+---7---+---<
L      ISRT  AAAAASEG                                10103210
L  V0080 DATA THEQUICKBLACKDOGJUMPEDONTOTHECRAZYFOXOOPSTHEQUICKBROWNFO*10103211
      XJUMPEDOVERTHELAZYDOGSIR                      *10103212
      M0107 DATA NOWISTHETIMEFORALLGOODMENTOCOMETOTHEAIDOFTHEIRCOUNTRYNOW*10103213
      ISTHETIMEFORALLGOODMENTOCOMETOTHEAIDOFTHEIRCOUNTRY 10103214
```

ISRT Containing Multiple Segments in a PATH CALL: Use a CALL FUNCTION statement to contain the ISRT function and segment name, and seven CALL DATA statements to contain the multiple segments in the PATH CALL.

When DFSDDLTO is inserting or replacing segments through path calls, you can use V and P in successive statements. The same rules apply for coding multiple variable-length segments, but fixed-length segments must have a P in column 4 of the DATA statement. This causes the length field in columns 5 through 8 to be used as the length of the segment, and causes the data to be concatenated in the I/O area without including the LL field.

Rules for continuing data in the same segment or starting a new segment in the next statement are the same as those applied to the variable-length segment.

```
|---+---1---+---2---+---3---+---4---+---5---+---6---+---7---+---<
L      ISRT  LEV01SEG*D                               *10103210
      LEV02SEG                                       *10103211
      LEV03SEG                                       *10103212
      LEV04SEG                                       10103213

L  V0080 DATA THEQUICKBLACKDOGJUMPEDONTOTHECRAZYFOXOOPSTHEQUICKBROWNFO*10103214
      XJUMPEDOVERTHELAZYDOGSIR                      *10103215
      M0107 DATA NOWISTHETIMEFORALLGOODMENTOCOMETOTHEAIDOFTHEIRCOUNTRYNOW*10103216
      ISTHETIMEFORALLGOODMENTOCOMETOTHEAIDOFTHEIRCOUNTRY *10103217
L  P0039 DATA THEQUICKBROWNFOXJUMPEDOVERTHELAZYDOGSIR *10103218
L  M0107 DATA NOWISTHETIMEFORALLGOODMENTOCOMETOTHEAIDOFTHEIRCOUNTRYNOW*10103219
      ISTHETIMEFORALLGOODMENTOCOMETOTHEAIDOFTHEIRCOUNTRY 10103220
```

LOG Call Using an LLZZ Format: Use a CALL FUNCTION statement to contain the LOG function and a CALL DATA statement to contain the LLZZ format of data to be logged.

When you put a Z in column 4, the first word of the record is not coded in the DATA statement. The length specified in columns 5 through 8 must include the 4 bytes for the LLZZ field that is not in the DATA statement.

```
|---+---1---+---2---+---3---+---4---+---5---+---6---+---7---+---<
L      LOG                                10103210
L  Z0016 DATA ASEGMENT ONE                10103211
```

The A in column 16 becomes the log record ID.

POS Call: Use a CALL FUNCTION statement to contain the POS function and SSA; CALL DATA statement is optional.

```

|-----1-----2-----3-----4-----5-----6-----7-----<
L      POS   SEGA   (KEYA   =A300)

```

PURG Call with MODNAME and Data: Use a CALL FUNCTION statement to contain the PURG function and MOD name. Use the CALL DATA statement to contain the message data. If MOD name is provided, a DATA statement is required.

```

|-----1-----2-----3-----4-----5-----6-----7-----<
L      PURG  MODNAME1
L      DATA FIRST SEGMENT OF NEW MESSAGE

```

PURG Call with Data and no MODNAME: Use a CALL FUNCTION statement to contain the PURG function; a DATA statement is optional.

```

|-----1-----2-----3-----4-----5-----6-----7-----<
L      PURG
L      DATA FIRST SEGMENT OF NEW MESSAGE

```

PURG Call without MODNAME or Data: Use a CALL FUNCTION statement to contain the PURG function; CALL DATA statement is optional.

```

|-----1-----2-----3-----4-----5-----6-----7-----<
L      PURG

```

RCMD Call: Use a CALL FUNCTION statement to contain the RCMD function. Use a CALL DATA statement to retrieve second and subsequent command response segments resulting from an ICMD call.

```

|-----1-----2-----3-----4-----5-----6-----7-----<
L      RCMD
L      Z0132 DATA

```

REPL Call: Use a CALL FUNCTION statement to contain the REPL function. Use a CALL DATA statement to contain the replacement data.

```

|-----1-----2-----3-----4-----5-----6-----7-----<
L      REPL
L      V0028 DATA THIS IS THE REPLACEMENT DATA

```

RLSE Call: Use a CALL FUNCTION statement to contain the RLSE function.

```

|-----1-----2-----3-----4-----5
L      RLSE

```

ROLB Call Requesting Return of First Segment of Current Message: Use a CALL FUNCTION statement to contain the ROLB function. Use the CALL DATA statement to request first segment of current message.

```

|-----1-----2-----3-----4-----5-----6-----7-----<
L      ROLB
L      DATA THIS WILL BE OVERLAID WITH FIRST SEGMENT OF MESSAGE

```

ROLB Call Not Requesting Return of First Segment of Current Message: Use a CALL FUNCTION statement to contain the ROLB function. The CALL DATA statement is optional.

```

|-----1-----2-----3-----4-----5-----6-----7-----<
L      ROLB

```

ROLL Call: Use a CALL FUNCTION statement to contain the ROLL function. The CALL DATA statement is optional.

```

|-----1-----2-----3-----4-----5-----6-----7-----<
L      ROLL

```

ROLS Call with a Token: Use a CALL FUNCTION statement to contain the ROLS function and token, and the CALL DATA statement to provide the data area that will be overlaid by the data from the SETS call.

```

|-----1-----2-----3-----4-----5-----6-----7-----<
L      ROLS  TOKEN1

L  Z0046 DATA THIS WILL BE OVERLAID WITH DATA FROM SETS

```

ROLS Call without a Token: Use a CALL FUNCTION statement to contain the ROLS function. The CALL DATA statement is optional.

```

|-----1-----2-----3-----4-----5-----6-----7-----<
L      ROLS

```

ROLX Call: Use a CALL FUNCTION statement to contain the ROLX function. The CALL DATA statement is optional. The ROLX function is treated as a ROLS call with no token.

```

|-----1-----2-----3-----4-----5-----6-----7-----<
L      ROLX

```

SETO Call: Use a CALL FUNCTION statement to contain the SETO function. The DATA statement is optional; however, if an OPTION statement is passed on the call, the DATA statement is required. Also, if a FEEDBACK statement is passed on the call, then both the DATA and OPTION statements are required. The following is an example of a SETO statement using the OPTION statement and SETO token of SET1.

```

|-----1-----2-----3-----4-----5-----6-----7-----<
L      SETO SET1 5000
L      OPT  PRT0=11OPTION1,OPTION2,
L      CONT OPTION3,
L      CONT OPTION4

```

11 is the hex value of the length of 11OPTION,.....OPTION4.

The following is an example of a SETO statement using the OPTION statement and SETO token of SET1.

```

|-----1-----2-----3-----4-----5-----6-----7-----<
L      SETO SET1 7000
L      OPT  PRT0=11OPTION1,OPTION2,OPTION3,OPTION4

```

11 is the hex value of the length of 11OPTION,.....OPTION4.

The following is an example of a SETO statement using the OPTION statement and SETO token of SET2 and FDBK statement.

```

|-----1-----2-----3-----4-----5-----6-----7-----<
L      SETO SET2 5500
L      OPT  PRT0=11OPTION1,OPTION2,OPTION3,OPTION4
L  Z0099 FDBK OPTION ERROR FEEDBACK AREA

```

11 is the hex value of the length of 11OPTION,.....OPTION4.

SETS Call with a Token: Use a CALL FUNCTION statement to contain the SETS function and token; use the CALL DATA statement to provide the data that is to be returned to ROLS call.

```

|-----1-----2-----3-----4-----5-----6-----7-----<
L      SETS  TOKEN1

L  Z0033 DATA  RETURN THIS DATA ON THE ROLS CALL

```

SETS Call without a Token: Use a CALL FUNCTION statement to contain the SETS function; CALL DATA statement is optional.

```

|-----1-----2-----3-----4-----5-----6-----7-----<
L      SETS

```

This topic contains Product-sensitive Programming Interface information.

SNAP Call: Use a CALL FUNCTION statement to contain the SNAP function and a CALL DATA statement to contain the SNAP data.

```
|-----1-----2-----3-----4-----5-----6-----7-----<
L          SNAP                               10103210
L  V0022 DATA PRINTDD 22222222                10103212
```

This topic contains Product-sensitive Programming Interface information.

STAT Call: OSAM statistics require only one STAT call. STAT calls for VSAM statistics retrieve only one subpool at a time, starting with the smallest. See IMS Version 15.5 Application Programming for further information about the statistics returned by STAT.

```
|-----1-----2-----3-----4-----5-----6-----7-----<
L          STAT DBASF
L          STAT VBASS
L          STAT VBASS
L          STAT VBASS
L          STAT VBASS
```

SYNC Call: Use a CALL FUNCTION statement to contain the SYNC function. The CALL DATA statement is optional.

```
|-----1-----2-----3-----4-----5-----6-----7-----<
L          SYNC
```

Initial XRST Call: Use a CALL FUNCTION statement to contain the XRST FUNCTION and a CALL DATA statement that contains a checkpoint ID of blanks to indicate that you are normally starting a program that uses symbolic checkpoints.

```
|-----1-----2-----3-----4-----5-----6-----7-----<
L          XRST                               10101400
L          DATA
L          CKPT
L          DATA YOURID01
```

Basic XRST Call: Use a CALL FUNCTION statement to contain the XRST function and a CALL DATA statement to contain the checkpoint ID.

```
|-----1-----2-----3-----4-----5-----6-----7-----<
L          XRST                               10101400
L          DATA TESTCKPT
```

Symbolic XRST Call: Use a CALL FUNCTION statement to contain the XRST function, a CALL DATA statement to contain the checkpoint ID data, and one or more CALL DATA statements where the data is to be returned.

The XRST call is used with the symbolic CHKP call.

```
|-----1-----2-----3-----4-----5-----6-----7-----<
L          XRST
L          DATA TSTCHKP2                      X
L          8 DATA OVERLAY2                    X
L          16 DATA OVERLAY2OVERLAY2
U EIGHT BYTES OF DATA (OVERLAY2) SHOULD BE OVERLAID WITH CHECKPOINTED DATA
U SIXTEEN BYTES OF DATA (OVERLAY2OVERLAY2) IS OVERLAID ALSO
```

DFSDDLTO call functions

The DFSDDLTO call functions were created for DFSDDLTO. They do not represent "valid" IMS calls and are not punched as output if DFSDDLTO encounters them while a CTL (PUNCH) statement is active.

The following table shows the special call functions of the CALL FUNCTION statement. Descriptions and examples of these special functions follow.

Table 65. CALL FUNCTION statement with DFSDDLTO call functions

Column	Function	Code	Description
1	Identifies control statement	L	Call statement.
2-4	Reserved	b	
5-8	Repeat count	b	If blank, repeat count defaults to 1.
		nnnn	'nnnn' is the number of times to repeat this call. Range is 1 to 9999, right-justified but need not contain leading zeros.
9	Reserved	b	
10-15	Special call function	STAKb	Stack control statements for later execution.
		ENDb	Stop stacking and begin execution.
		SKIPb	Skip statements until START function is encountered.
		START	Start processing statements again.
73-80	Sequence indication	nnnnnnnn	For SYSIN2 statement override.

STAK/END (stacking) control statements

With the STAK statement, you repeat a series of statements that were read from SYSIN and held in memory. All control statements between the STAK statement and the END statement are read and saved. When DFSDDLTO encounters the END statement, it executes the series of calls as many times as specified in columns 5 through 8 of the STAK statement. STAK calls imbedded within another STAK cause the outer STAK call to be abnormally terminated.

SKIP/START (skipping) control statements

With the SKIP and START statements, you identify groups of statements that you do not want DFSDDLTO to process. These functions are normally read from SYSIN2 and provide a temporary override to an established SYSIN input stream. DFSDDLTO reads all control statements occurring between the SKIP and START statements, but takes no action. When DFSDDLTO encounters the START statement, it reads and processes the next statement normally.

Related reference

“PUNCH CTL statement” on page 250

The PUNCH CTL statement allows you to produce an output data set consisting of COMPARE PCB statements, COMPARE DATA statements, COMPARE AIB statements, other control statements, or combinations of these statements.

COMMENT statement

Use the COMMENT statement to print comments in the output data.

The two types of COMMENT statements, conditional and unconditional are described. The following table shows the format of the COMMENT statement.

Table 66. COMMENT statement

Column	Function	Code	Description
1	Identifies control statement	T	Conditional comment statement.
		U	Unconditional comment statement.

Table 66. COMMENT statement (continued)

Column	Function	Code	Description
2-72	Comment data		Any relevant comment.
73-80	Sequence indication	nnnnnnnn	For SYSIN2 statement override.

Conditional COMMENT statement

You can use up to five conditional COMMENT statements per call; no continuation mark is required in column 72. Code the statements in the DFSDDLTO stream before the call they are to document. Conditional COMMENTS are read and held until a CALL is read and executed. (If a COMPARE statement follows the CALL, conditional COMMENTS are held until after the comparison is completed.) You control whether the conditional comments are printed with column 3 of the STATUS statement. DFSDDLTO prints the statements according to the STATUS statement in the following order: conditional COMMENTS, the CALL, and the COMPARE(s). The time and date are also printed with each conditional COMMENT statement.

Unconditional COMMENT statement

You can use any number of unconditional COMMENT statements. Code them in the DFSDDLTO stream before the call they are to document. The time and date are printed with each unconditional COMMENT statement. The previous table lists the column number, function, code, and description

Example of COMMENT statement

T/U Comment Calls: The following example shows the T and U comment calls.

```
//BATCH.SYSIN DD *
|-----1-----2-----3-----4-----5-----6-----7-----<
O SNAP= ,ABORT=0
S 1 1 1 1 1
L GU SEGB (KEYA =A400)
T THIS COMMENT IS A CONDITIONAL COMMENT FOR THE FIRST GN
L GN
U THIS COMMENT IS AN UNCONDITIONAL COMMENT FOR THE SECOND GN
L 0020 GN
/*
```

COMPARE statement

The COMPARE statement compares the actual results of a call with the expected results. The three types of COMPARE statements are the COMPARE PCB, COMPARE DATA, and COMPARE AIB.

When you use the COMPARE PCB, COMPARE DATA, and COMPARE AIB statements you must:

- Code COMPARE statements in the DFSDDLTO stream immediately after either the last continuation, if any, of the CALL DATA statement or another COMPARE statement.
- Specify the print option for the COMPARE statements in column 7 of the STATUS statement.

For all three COMPARE statements:

- The condition code returned for a COMPARE gives the total number of unequal comparisons.
- For single fixed-length segments, DFSDDLTO uses the comparison length to perform comparisons if you provide a length. The length comparison option (column 3) is not applicable.

When you use the COMPARE PCB statement and you want a snap dump when there is an unequal comparison, request it on the COMPARE PCB statement. A snap dump to a log with SNAP ID COMPxxxx is issued along with the snap dump options specified in column 3 of the COMPARE PCB statement.

The numeric part of the SNAP ID is initially set to 0000 and is incremented by 1 for each SNAP resulting from an unequal comparison.

COMPARE AIB statement

The COMPARE AIB statement is optional. You can use it to compare values returned to the AIB by IMS.

The following table shows the format of the COMPARE AIB statement.

Table 67. COMPARE AIB statement

Column	Function	Code	Description
1	Identifies control statement	E	COMPARE statement.
2	Hold compare option	H	Hold COMPARE statement. See note for COMPARE AIB Statement.
		b	Reset hold condition for a single COMPARE statement.
3	Reserved	b	
4-6	AIB compare	AIB	Identifies an AIB compare.
7	Reserved	b	
8-11	Return code	xxxx	Allow specified return code only.
12	Reserved		
13-16	Reason code	xxxx	Allow specified reason code only.
17-72	Reserved	b	b
73-80	Sequence indication	nnnnnnnn	For SYSIN2 statement override.

Note for COMPARE AIB Statement: To execute the same COMPARE AIB after a series of calls, put an H in column 2. When you specify an H, the COMPARE statement executes after each call. The H COMPARE statement is particularly useful when comparing with the same status code on repeated calls. The H COMPARE statement stays in effect until another COMPARE AIB statement is read.

COMPARE DATA statement

The COMPARE DATA statement is optional. It compares the segment returned by IMS to the data in the statement to verify that the correct segment was retrieved.

The following table gives the format of the COMPARE DATA statement.

Table 68. COMPARE DATA statement

Column	Function	Code	Description
1	Identifies control statement	E	COMPARE statement.
2	Reserved	b	
3	Length comparison option	b	For fixed-length segments or if the LL field of the segment is not included in the comparison; only the data is compared.
		L	The length in columns 5-8 is converted to binary and compared against the LL field of the segment.
4	Segment length option	b	

Table 68. COMPARE DATA statement (continued)

Column	Function	Code	Description
		V	For a variable-length segment only, or for the first variable-length segment of multiple variable-length segments in a path call, or for a concatenated logical-child–logical-parent segment.
		M	For the second or subsequent variable-length segment of a path call, or for a concatenated logical-child–logical-parent segment.
		P	For fixed-length segments in path calls.
		Z	For message segment.
5-8	Comparison length	nnnn	Length to be used for comparison. (Required for length options V, M, and P if L is coded in column 3.)
9	Reserved	b	
10-13	Identifies type of statement	DATA	Required for the first I/O COMPARE statement and the first statement of a new segment if data from previous I/O COMPARE statement is not continued.
14-15	Reserved	b	
16-71	String of data		Data against which the segment in the I/O area is to be compared.
72	Continuation column	b	If blank, data is NOT continued.
		x	If not blank, data will be continued, starting in columns 16-71 of the subsequent statements for a maximum of 3840 bytes.
73-80	Sequence indication	nnnnnnnn	For SYSIN2 statement override.

Notes:

- If you code an L in column 3, the value in columns 5 through 8 is converted to binary and compared against the LL field of the returned segment. If you leave column 3 blank and the segment is not in a path call, then the value in columns 5 through 8 is used as the length of the comparison.
- If you code column 4 with a V, P, or M, you must enter a value in columns 5 through 8.
- If this is a path call comparison, code a P in column 4. The value in columns 5 through 8 must be the exact length of the fixed segment used in the path call.
- If you specify the length of the segment, this length is used in the COMPARE and in the display. If you do not specify a length, DFSDDLTO uses the shorter value for the length of the comparison and display of:
 - The length of data supplied in the I/O area by IMS
 - The number of DATA statements read times 56

COMPARE PCB statement

The COMPARE PCB statement is optional. You can use it to compare values returned to the PCB by IMS or to print blocks or buffer pool.

The following table shows the format of the COMPARE PCB statement.

Column	Function	Code	Description
1	Identifies control statement	E	COMPARE statement.
2	Hold compare option	H	Hold compare statement.
		b	Reset hold condition for a single COMPARE statement.
3	Snap dump options (if compare was unequal)	b	Use default value. (You can change the default value or turn off the option by coding the value in an OPTION statement.)
		1	The complete I/O buffer pool.
		2	The entire region (batch regions only).
		4	The DL/I blocks.
		8	Terminate the job step on miscompare of DATA or PCB.
		S	To SNAP subpools 0 through 127. Requests for multiple SNAP dump options can be obtained by summing their respective hexadecimal values. If anything other than a blank, 1-9, A-F, or S is coded in column 3, the SNAP dump option is ignored.
4	Extended SNAP ¹ options	b	Ignore extended option.
		P	SNAP the complete buffer pool (batch).
		S	SNAP subpools 0 through 127 (batch).
			An area is never snapped twice. The SNAP option is a combination of columns 3 (SNAP dump option) and 4 (extended SNAP option).
5-6	Segment level	nn	'nn' is the segment level for COMPARE PCB. A leading zero is required.
7	Reserved	b	
8-9	Status code	b	Allow blank status code only.
		xx	Allow specified status code only.
		XX	Do not check status code.
		OK	blank, GA, GC, or GK allowed.
10	Reserved	b	
11-18	Segment name User Identification	xxxxxxxx	Segment name for DB PCB compare.
			Logical terminal for I/O.

Table 69. COMPARE PCB statement (continued)

Column	Function	Code	Description
			Destination for ALT PCB.
19	Reserved	b	
20-23	Length of key	nnnn	'nnnn' is length of the feedback key.
24-71 or	Concatenated key		Concatenated key feedback for DB PCB compare.
24-31	User ID		User identification for TP PCB.
72	Continuation column	b	If blank, key feedback is not continued.
		x	If not blank, key feedback is continued, starting in columns 16-71 of subsequent statements.
73-80	Sequence indication	nnnnnnnn	For SYSIN2 statement override.

Note:

1. SNAP is a Product-sensitive Programming Interface.

Blank fields are not compared to the corresponding field in the PCB, except for the status code field. (Blanks represent a valid status code.) To accept the status codes blank, GA, GC, or GK as a group, put OK in columns 8 and 9. To stop comparisons of status codes, put XX in columns 8 and 9.

To execute the same compare after a series of calls, put an H in column 2. This executes the COMPARE statement after each call. This is particularly useful to compare to a blank status code only when loading a database. The H COMPARE statement stays in effect until another COMPARE PCB statement is read.

Related reference

“OPTION statement” on page 249

Use the OPTION statement to override various default options.

Examples of COMPARE DATA and COMPARE PCB statements

The following examples show how COMPARE DATA and COMPARE PCB statements are used.

COMPARE PCB Statement for Blank Status Code

The COMPARE PCB statement is coded blank. It checks a blank status code for the GU.

```

|-----1-----2-----3-----4-----5-----6-----7-----<
L           GU                               10101100
E                                           10101200

```

COMPARE PCB Statement for SSA Level, Status Code, Segment Name, Concatenated Key Length, and Concatenated Key

The COMPARE PCB statement is a request to compare the SSA level, a status code of OK (which includes blank, GA, GC, and GK), segment name of SEGA, concatenated key length of 0004, and a concatenated key of A100.

```

|-----1-----2-----3-----4-----5-----6-----7-----<
L           GU
E  01 OK SEGA    0004A100

```

COMPARE PCB Statement for SSA Level, Status Code, Segment Name, Concatenated Key Length, and Concatenated Key

The COMPARE PCB statement causes the job step to terminate based on the 8 in column 3 when any of the fields in the COMPARE PCB statement are not equal to the corresponding field in the PCB.

```
|-----1-----2-----3-----4-----5-----6-----7-----<
L          GU                               10105100
E 8 01 OK SEGK      0004A100                10105200
```

COMPARE PCB Statement for Status Code with Hold Compare

The COMPARE PCB statement is a request to compare the status code of OK (which includes blank, GA, GC, and GK) and hold that compare until the next COMPARE PCB statement. The compare of OK is used on GN following GU and is also used on a GN that has a request to be repeated six times.

```
|-----1-----2-----3-----4-----5-----6-----7-----<
L          GU  SEGA  (KEYA  = A300)         20201100
L          GN                               20201300
EH         OK                               20201400
L    0006 GN                               20201500
```

COMPARE DATA Statement for Fixed-Length Segment

The COMPARE DATA statement is a request to compare the data returned. 72 bytes of data are compared.

```
|-----1-----2-----3-----4-----5-----6-----7-----<
L          GU
E          DATA  A100A100A100A100A100A100A100A100A100A100A100A100A100A100A100A100X10102200
E          A100A100A100A100                10102300
```

COMPARE DATA Statement for Fixed-Length Data for 64 Bytes

The COMPARE DATA statement is a request to compare 64 bytes of the data against the data returned.

```
|-----1-----2-----3-----4-----5-----6-----7-----<
L          GU                               10101600
E    0064 DATA  A100A100A100A100A100A100A100A100A100A100A100A100A100A100A100A100X10101700
E          A100A100B111B111                10101800
```

COMPARE DATA Statement for Fixed-Length Data for 72 Bytes

The COMPARE DATA statement is a request to compare 72 bytes of the data against the data returned.

```
|-----1-----2-----3-----4-----5-----6-----7-----<
L          GU                               10103900
E LP0072 DATA  A100A100A100A100A100A100A100A100A100A100A100A100A100A100A100A100X10104000
E          A100A100A100A100                10104100
```

COMPARE DATA Statement for Variable-Length Data of Multiple-Segments Data and Length Fields

The COMPARE DATA statement is a request to compare 36 bytes of the data against the data returned for segment 1 and 16 bytes of data for segment 2. It compares the length fields of both segments.

```
|-----1-----2-----3-----4-----5-----6-----7-----<
L          ISRT  D      (DSS  = DSS01)      X38005500
L          DJ    (DJSS  = DJSS01)          X38005600
L          QAJAXQAJ                                38005700
L V0036 DATA  QSS02QASS02QAJSS01QAJASS97*IQAJA** *38005800
L M0016 DATA  QAJSS01*IQAJ**                38005850
L          GHU  D      (DSS  = DSS01)      X38006000
L          DJ    (DJSS  = DJSS01)          X38006100
L          QAJAXQAJ (QAJASS = QAJASS97)    38006200
E LV0036 DATA  QSS02QASS02QAJSS01QAJASS97*IQAJA** *38006300
E LM0016 DATA  QAJSS01*2QAJ**              38006350
```

COMPARE DATA Statement for Variable-Length Data of Multiple Segments with no Length Field COMPARE

The COMPARE DATA statement is a request to compare 36 bytes of the data against the data returned for segment 1 and 16 bytes of data for segment 2 with no length field compares of either segment.

```
|-----1-----2-----3-----4-----5-----6-----7-----<
L      ISRT  D      (DSS      = DSS01)                X38005500
L      DJ    (DJSS     = DJSS01)                X38005600
L      QAJAXQAJ
L V0036 DATA QSS02QASS02QAJSS01QAJASS97*IQAJA**    *38005800
L M0016 DATA QAJSS01*IQAJ**                      38005850
L      GHU   D      (DSS      = DSS01)                X38006000
L      DJ    (DJSS     = DJSS01)                X38006100
L      QAJAXQAJ (QAJASS  = QAJASS97)              38006200
E V0036 DATA QSS02QASS02QAJSS01QAJASS97*IQAJA**    *38006300
M0016 DATA QAJSS01*2QAJ**                        38006350
```

COMPARE DATA Statement for Variable-Length Data of Multiple Segments and One Length Field COMPARE

The COMPARE DATA statement is a request to compare 36 bytes of the data against the data returned for segment 1 and 16 bytes of data for segment 2. It compares the length field of segment 1 only.

```
|-----1-----2-----3-----4-----5-----6-----7-----<
L      ISRT  D      (DSS      = DSS01)                X38005500
L      DJ    (DJSS     = DJSS01)                X38005600
L      QAJAXQAJ
L V0036 DATA QSS02QASS02QAJSS01QAJASS97*IQAJA**    *38005800
L M0016 DATA QAJSS01*IQAJ**                      38005850
L      GHU   D      (DSS      = DSS01)                X38006000
L      DJ    (DJSS     = DJSS01)                X38006100
L      QAJAXQAJ (QAJASS  = QAJASS97)              38006200
E LV0036 DATA QSS02QASS02QAJSS01QAJASS97*IQAJA**    *38006300
M0016 DATA QAJSS01*2QAJ**                        38006350
```

IGNORE statement

DFSDDLT0 ignores any statement with an N or a period (.) in column 1.

You can use the N or . (period) to comment out a statement in either the SYSIN or SYSIN2 input streams. Using N or . (period) in a SYSIN2 input stream causes the SYSIN input stream to be ignored as well. The following table gives the format of the IGNORE statement. An example of the statement follows.

Table 70. IGNORE statement

Column	Function	Code	Description
1	Identifies control statement	N or .	IGNORE statement.
2-72	Ignored		
73-80	Sequence indication	nnnnnnnn	For SYSIN2 statement override.

Example of IGNORE statement using N or .

```
|-----1-----2-----3-----4-----5-----6-----7-----<
. NOTHING IN THIS AREA WILL BE PROCESSED. ONLY THE SEQUENCE NUMBER 67101010
N WILL BE USED IF READ FROM SYSIN2 OR SYSIN. 67101020
```

Related reference

[“SYSIN2 DD statement” on page 258](#)

DFSDDLTO does not require the SYSIN2 DD statement, but if it is present in the JCL, DFSDDLTO will read and process the specified data sets.

OPTION statement

Use the OPTION statement to override various default options.

Use multiple OPTION statements if you cannot fit all the options you want in one statement. No continuation character is necessary. Once you set an option, it remains in effect until you specify another OPTION statement to change the first parameter. The following table shows the format of the OPTION statement. An example follows.

Table 71. OPTION statement

Column	Function	Code	Description
1	Identifies control statement	O	OPTION statement (free-form parameter fields).
2	Reserved	b	b
3-72	Keyword parameters:		
	ABORT=	<ul style="list-style-type: none"> • 0 • 1 to 9999 	<ul style="list-style-type: none"> • Turns the ABORT parameter off. • Number of unequal compares before aborting job. Initial default is 5.
	LINECNT=	10 to 99	Number of lines printed per page. Must be filled with zeros. Initial default 54.
	SNAP ¹	x	SNAP option default, when results of compare are unequal. To turn the SNAP option off, code 'SNAP='. Initial default is 5 if this option is not coded. This causes the I/O buffer pool and the DL/I blocks to be dumped with a SNAP call.
	DUMP/NODUMP		Produce/do not produce dump if job abends. Default is NODUMP.
	LCASE=	<ul style="list-style-type: none"> • H • C 	<ul style="list-style-type: none"> • Hexadecimal representation for lower case characters. This is the initial default. • Character representation for lower case characters.
	STATCD/NOSTATCD		Issue/do not issue an error message for the internal, end-of-job stat call that does not receive a blank or GA status code. NOSTATCD is the default.
	ABU249/NOABU249		Issue/do not issue a DFSDDLTO ABENDU0249 when an invalid status code is returned for any of the internal end-of-job stat calls in a batch environment. NOABU249 is the default.
73 - 80	Sequence indication	nnnnnnnn	For SYSIN2 statement override.

Note:

1. SNAP is a Product-sensitive Programming Interface.

OPTION statement parameters can be separated by commas.

Example of OPTION control statement

```
|---+---1---+---2---+---3---+---4---+---5---+---6---+---7---+---<
0 ABORT=5,DUMP,LINECNT=54,SPA=4096,SNAP=5                      67101010
```

Related reference

[“COMPARE PCB statement” on page 245](#)

The COMPARE PCB statement is optional. You can use it to compare values returned to the PCB by IMS or to print blocks or buffer pool.

PUNCH CTL statement

The PUNCH CTL statement allows you to produce an output data set consisting of COMPARE PCB statements, COMPARE DATA statements, COMPARE AIB statements, other control statements, or combinations of these statements.

The following table shows the format and keyword parameters for the PUNCH CTL statement.

Table 72. PUNCH CTL statement

Column	Function	Code	Description
1-3	Identifies control statement	CTL	PUNCH statement.
4-9	Reserved	b	
10-13	Punch control	PUNC	Begin punching (no default values).
		NPUN	Stop punching (default value).
14-15	Reserved	b	
16-72	Keyword parameters:		
	OTHER		Reproduces all input control statements except: <ul style="list-style-type: none"> • CTL (PUNCH) statements. • N or . (IGNORE) statements. • COMPARE statements. • CALL statements with functions of SKIP and START. Any control statements that appear between SKIP and START CALLs are not punched. • CALL statements with functions of STAK and END. Control statements that appear between STAK and END CALLs are saved and then punched the number of times indicated in the STAK CALL.

Table 72. PUNCH CTL statement (continued)

Column	Function	Code	Description
	DATAL		Create a full data COMPARE using all of the data returned to the I/O area. Multiple COMPARE statements and continuations are produced as needed.
	DATAS		Create a single data COMPARE statement using only the first 56 bytes of data returned to the I/O area.
	PCBL		Create a full PCB COMPARE using the complete key feedback area returned in the PCB. Multiple COMPARE statements and continuations are produced as needed.
	PCBS		Create a single PCB COMPARE statement using only the first 48 bytes of the key feedback area returned in the PCB.
	SYNC/NOSYNC		If a GB status code is returned on a Fast Path call while in STAK, but prior to exiting STAK, this function issues or does not issue SYNC.
	START=		00000001 to 99999999. This is the starting sequence number to be used for the punched statements. Eight numeric bytes must be coded.
	INCR=		1 to 9999. Increment the sequence number of each punched statement by this value. Leading zeros are not required.
	AIB		Create an AIB COMPARE statement.
73-80	Sequence indication	nnnnnnnn	For SYSIN2 statement override.

To change the punch control options while processing a single DFSDDLTO input stream, always use PUNCH CTL statements in pairs of PUNC and NPUN.

One way to use the PUNCH CTL statement is as follows:

1. Code only the CALL statements for a new test. Do not code the COMPARE statements.
2. Verify that each call was executed correctly.
3. Make another run using the PUNCH CTL statement to have DFSDDLTO merge the proper COMPARE statements and produce a new output data set that can be used as input for subsequent regression tests.

You can also use PUNCH CTL if segments in an existing database are changed. The control statement causes DFSDDLTO to produce a new test data set that has the correct COMPARE statements rather than you having to manually change the COMPARE statements.

Parameters in the CTL statement must be the same length as described in the previous table, and they must be separated by commas.

Example of PUNCH CTL statement

```
|-----1-----+-----2-----+-----3-----+-----4-----+-----5-----+-----6-----+-----7-----+-----<
CTL      PUNC  PCBS, DATAS, OTHER, START=00000010, INCR=0010      33212010
CTL      NPUN                                     33212020
```

The DD statement for the output data set is labeled PUNCHDD. The data sets are fixed block with LRECL=80. Block size as specified on the DD statement is used. If not specified, the block size is set to 80. If the program is unable to open PUNCHDD, DFSDDLTO issues abend 251.

Example of PUNCH CTL statement for all parameters

```
|-----1-----+-----2-----+-----3-----+-----4-----+-----5-----+-----6-----+-----7-----+-----<
CTL      PUNC  OTHER, DATAL, PCBL, START=00000001, INCR=1000, AIB      33212010
```

Related reference

[“DFSDDLTO call functions” on page 240](#)

The DFSDDLTO call functions were created for DFSDDLTO. They do not represent "valid" IMS calls and are not punched as output if DFSDDLTO encounters them while a CTL (PUNCH) statement is active.

[“Control statements” on page 217](#)

DFSDDLTO processes control statements to control the test environment. DFSDDLTO can issue calls to IMS full-function databases and Fast Path databases, as well as DC calls.

STATUS statement

With the STATUS statement, you establish print options and name the PCB that you want subsequent calls to be issued against.

The following table shows the format of the STATUS statement.

Table 73. STATUS statement

Column	Function	Code	Description
1	Identifies control statement	S	STATUS statement.
2	Output device option	b	Use PRINTDD when in a DL/I region; use I/O PCB in MPP region.
		1	Use PRINTDD in MPP region if DD statement is provided; otherwise, use I/O PCB.

Table 73. STATUS statement (continued)

Column	Function	Code	Description
		A	Same as if 1, and disregard all other fields in this STATUS statement.
3	Print comment option	b	Do not print.
		1	Print for each call.
		2	Print only if compare done and unequal.
4	Print AIB option	b	Do not print.
		1	Print for each call.
		2	Print only if compare done and unequal.
5	Print call option	b	Do not print.
		1	Print for each call.
		2	Print only if compare done and unequal.
6	Reserved	b	
7	Print compare option	b	Do not print.
		1	Print for each call.
		2	Print only if compare done and unequal.
8	Reserved	b	
9	Print PCB option	b	Do not print.
		1	Print for each call.
		2	Print only if compare done and unequal.
10	Reserved	b	
11	Print segment option	b	Do not print.
		1	Print for each call.
		2	Print only if compare done and unequal.
12	Set task and real time	b	Do not time
		1	Time each call.
		2	Time each call if compare done and unequal.
13-14	Reserved	b	
15	PCB selection option	1	PCB name passed in columns 16-23 (use option 1).
		2	DBD name passed in columns 16-23 (use option 2).
		3	Relative DB PCB passed in columns 16-23 (use option 3).
		4	Relative PCB passed in columns 16-23 (use option 4).

Table 73. STATUS statement (continued)

Column	Function	Code	Description
		5	\$LISTALL passed in columns 16-23 (use option 5).
		b	If column 15 is blank, DFSDDLTO selects options 2 through 5 based on content of columns 16-23.
Opt. 1 16-23	PCB selection PCB name	alpha	These columns must contain the name of the label on the PCB at PSBGEN, or the name specified on the PCBNAME= operand for the PCB at PSBGEN time.
Opt. 2 16-23	PCB selection DBD name	b alpha	The default PCB is the first database PCB in the PSB. If columns 16-23 are blank, current PCB is used. If DBD name is specified, this must be the name of a database DBD in the PSB.
Opt. 3 16-18 19-23	PCB selection Relative position of PCB in PSB	b numeric	When columns 16 through 18 are blank, columns (19-23) of this field are interpreted as the relative number of the DB PCB in the PSB. This number must be right-justified to column 23, but need not contain leading zeros.
Opt. 4 16-18 19-23	PCB selection I/O PCB Relative position of PCB in PSB	b numeric	When columns 16 through 18 = 'TPb', columns (19-23) of this field are interpreted as the relative number of the PCB from the start of the PCB list. This number must be right-justified to column 23, but need not contain leading zeros. I/O PCB is always the first PCB in the PCB list in this program.
Opt. 5 16-23	List all PCBs in the PSB	\$LISTALL	Prints out all PCBs in the PSB for test script.
24	Print status option	b	Use print options to print this STATUS statement.
		1	Do not use print options in this statement; print this STATUS statement.
		2	Do not print this STATUS statement but use print options in this statement.
		3	Do not print this STATUS statement and do not use print options in this statement.
25-28	PCB processing option	xxxx	This is optional and is only used when two PCBs have the same name but different processing options. If not blank, it is used in addition to the PCB name in columns 16 through 23 to select which PCB in the PSB to use.
29	Reserved	b	

Table 73. STATUS statement (continued)

Column	Function	Code	Description
30-32	AIB interface	AIB	Indicates that the AIB interface is used and the AIB is passed rather than passing the PCB. (Passing the PCB is the default.) Note: When the AIB interface is used, the PCB must be defined at PSBGEN with PCBNAME=name. IOPCB is the PCB name used for all I/O PCBs. DFSDDLTO recognizes that name when column 15 contains a 1 and columns 16 through 23 contain IOPCB.
33	Reserved		
37-72	Reserved		
73-80	Sequence indication	nnnnnnnn	For SYSIN2 statement override.

If DFSDDLTO does not encounter a STATUS statement, all default print options (columns 3 through 12) are 2 and the default output device option (column 2) is 1. You can code a STATUS statement before any call sequence in the input stream, changing either the PCB to be referenced or the print options.

The referenced PCB stays in effect until a subsequent STATUS statement selects another PCB. However, a call that must be issued against an I/O PCB (such as LOG) uses the I/O PCB for that call. After the call, the PCB changes back to the original PCB.

Examples of STATUS statement

To Print Each CALL Statement: The following STATUS statement tells DFSDDLTO to print these options: COMMENTS, CALL, COMPARE, PCB, and SEGMENT DATA for all calls.

```
|---+---1---+---2---+---3---+---4---+---5---+---6---+---7---+---<
S 1 1 1 1 1
```

To Print Each CALL Statement, Select a PCB: The following STATUS statements tell DFSDDLTO to print the COMMENTS, CALL, COMPARE, PCB, and SEGMENT DATA options for all calls, and select a PCB.

The 1 in column 15 is required for PCBNAME. If omitted, the PCBNAME is treated as a DBDNAME.

```
|---+---1---+---2---+---3---+---4---+---5---+---6---+---7---+---<
S 1 1 1 1 1 1PCBNAME
```

```
|---+---1---+---2---+---3---+---4---+---5---+---6---+---7---+---<
S 1 1 1 1 1 1PCBNAME AIBb
```

To print each CALL statement, select PCB based on a DBD name: The following STATUS statements tell DFSDDLTO to print the COMMENTS, CALL, COMPARE, PCB, and SEGMENT DATA options for all calls, and select a PCB by a DBD name.

The 2 in column 15 is optional.

```
|---+---1---+---2---+---3---+---4---+---5---+---6---+---7---+---<
S 1 1 1 1 1 2DBDNAME
```

```
|---+---1---+---2---+---3---+---4---+---5---+---6---+---7---+---<
S 1 1 1 1 1 2DBDNAME AIBb
```

If you do not use the AIB interface, you do not need to change STATUS statement input to existing streams; existing call functions will work just as they have in the past. However, if you want to use the AIB interface, you must change the STATUS statement input to existing streams to include AIB in columns 30

through 32. The existing DBD name, Relative DB PCB, and Relative PCB will work if columns 30 through 32 contain AIB and the PCB has been defined at PSBGEN with PCBNAME=name.

WTO statement

The WTO (Write to Operator) statement sends a message to the z/OS console without waiting for a reply.

The following table shows the format for the WTO statement.

Table 74. WTO statement

Column	Function	Code	Description
1-3	Identifies control statement	WTO	WTO statement.
4	Reserved	b	
5-72	Message to send		Message to be written to the system console.
73-80	Sequence indication	nnnnnnnn	For SYSIN2 statement override.

Example of WTO statement

This WTO statement sends a message to the z/OS console and continues the test stream.

```
|-----1-----2-----3-----4-----5-----6-----7-----<
WTO AT A "WTO" WITHIN TEST STREAM --WTO NUMBER 1-- TEST STARTED
```

WTOR statement

The WTOR (Write to Operator with Reply) statement sends a message to the z/OS system console and waits for a reply.

The following table shows the format of the WTOR statement.

Table 75. WTOR statement

Column	Function	Code	Description
1-4	Identifies control statement	WTOR	WTOR statement.
5	Reserved	b	
6-72	Message to send		Message to be written to the system console.
73-80	Sequence indication	nnnnnnnn	For SYSIN2 statement override.

Example of WTOR statement

This WTOR statement causes the test stream to hold until DFSDDLTO receives a response from the z/OS console operator. Any response is valid.

```
|-----1-----2-----3-----4-----5-----6-----7-----<
WTOR AT A "WTOR" WITHIN TEST STREAM - ANY RESPONSE WILL CONTINUE
```

JCL requirements for the DL/I test program (DFSDDLTO)

DFSDDLTO uses these DD statements.

Execution JCL depends on the installation data set naming standards as well as the IMS environment (batch or online).

```
//SAMPLE JOB ACCOUNTING,NAME,MSGLEVEL=(1,1),MSGCLASS=3,PRTY=8          33001100
//GET EXEC PGM=DFSRR00,PARM='DLI,DFSDDLTO,PSBNAME'                    33001200
//STEPLIB DD DSN=IMS.SDFSRESL,DISP=SHR                                33001300
//IMS DD DSN=IMS2.PSBLIB,DISP=(SHR,PASS)                             33001400
// DD DSN=IMS2.DBDLIB,DISP=(SHR,PASS)                               33001500
//DDCARD DD DSN=DATASET,DISP=(OLD,KEEP)                              33001600
//IEFRDER DD DUMMY                                                  33001700
//PRINTDD DD SYSOUT=A                                               33001800
//SYSUDUMP DD SYSOUT=A                                              33001900
//SYSIN DD *                                                         33002000
|-----1-----2-----3-----4-----5-----6-----7-----<
U THIS IS PART OF AN EXAMPLE                                         33002100
S 1 1 1 1 1 PCB-NAME                                               33002200
L GU                                                                33002300
/*
//SYSIN2 DD *
|-----1-----2-----3-----4-----5-----6-----7-----<
ABEND                                                                33002300
/*
```

The following code example shows how to code JCL for DFSDDLTO in a BMP. Use of a procedure is optional and is only shown here as an example.

Example JCL code for DFSDDLTO in a BMP

```
//SAMPLE JOB ACCOUNTING,NAME,MSGLEVEL=(1,1),MSGCLASS=A              00010047
//*****
/* BATCH DL/I JOB *
//*****
//BMP EXEC IMSBATCH,MBR=DFSDDLTO,PSB=PSBNAME
//BMP.PRINTDD DD SYSOUT=A
//BMP.PUNCHDD DD SYSOUT=B
//BMP.SYSIN DD *
U ***THIS IS PART OF AN EXAMPLE OF SYSIN DATA                      00010000
S 1 1 1 1 1 1 1                                                    00030000
L GU                                                                00040000
L 0099 GN                                                            00050000
/*
|-----1-----2-----3-----4-----5-----6-----7-----<
//BMP.SYSIN2 DD *
U ***THIS IS PART OF AN EXAMPLE OF SYSIN2 DATA *****          00020000
ABEND                                                                00050000
/*
```

SYSIN DD statement

The data set specified by the SYSIN DD statement is the normal input data set for DFSDDLTO. When processing input data that is on direct-access or tape, you may want to override certain control statements in the SYSIN input stream or to add other control statements to it. You do this with a SYSIN2 DD statement and the control statement sequence numbers.

Sequence numbers in columns 73 to 80 for SYSIN data are optional unless a SYSIN2 override is used.

Related reference

[“SYSIN2 DD statement” on page 258](#)

DFSDDLTO does not require the SYSIN2 DD statement, but if it is present in the JCL, DFSDDLTO will read and process the specified data sets.

[“Control statements” on page 217](#)

DFSDDLT0 processes control statements to control the test environment. DFSDDLT0 can issue calls to IMS full-function databases and Fast Path databases, as well as DC calls.

SYSIN2 DD statement

DFSDDLT0 does not require the SYSIN2 DD statement, but if it is present in the JCL, DFSDDLT0 will read and process the specified data sets.

When using SYSIN2:

- The SYSIN DD data set is the primary input. DFSDDLT0 attempts to insert the SYSIN2 control statements into the SYSIN DD data set.
- You must code the control groups and sequence numbers properly in columns 73 to 80 or the merging process will not work.
- Columns 73 and 74 indicate the control group of the statement.
- Columns 75 to 80 indicate the sequence number of the statement.
- Sequence numbers *must* be in numeric order within their control group.
- Control groups in SYSIN2 must match the SYSIN control groups, although SYSIN2 does not have to use all the control groups used in SYSIN. DFSDDLT0 does not require that control groups be in numerical order, but the control groups in SYSIN2 must be in the same order as those in SYSIN.
- When DFSDDLT0 matches a control group in SYSIN and SYSIN2, it processes the statements by sequence number. SYSIN2 statements falling before or after a SYSIN statement are merged accordingly.
- If the sequence number of a SYSIN2 statement matches the sequence number of a SYSIN statement in its control group, the SYSIN2 overrides the SYSIN.
- If the program reaches the end of SYSIN before it reaches the end of SYSIN2, it processes the records of SYSIN2 as if they were an extension of SYSIN.
- Replacement or merging occurs only during the current run. The original SYSIN data is not changed.
- During merge, if one of the control statements contains blanks in columns 73 through 80, DFSDDLT0 discards the statement containing blanks, sends a message to PRINTDD, and continues the merge until end-of-file is reached.

Related reference

[“SYSIN DD statement” on page 257](#)

The data set specified by the SYSIN DD statement is the normal input data set for DFSDDLT0. When processing input data that is on direct-access or tape, you may want to override certain control statements in the SYSIN input stream or to add other control statements to it. You do this with a SYSIN2 DD statement and the control statement sequence numbers.

[“Control statements” on page 217](#)

DFSDDLT0 processes control statements to control the test environment. DFSDDLT0 can issue calls to IMS full-function databases and Fast Path databases, as well as DC calls.

[“IGNORE statement” on page 248](#)

DFSDDLT0 ignores any statement with an N or a period (.) in column 1.

PRINTDD DD statement

The PRINTDD DD statement defines output data set for DFSDDLT0, including displays of control blocks using the SNAP call. It must conform to the z/OS SNAP data set requirements.

PUNCHDD DD statement

The DD statement for the output data set is labeled PUNCHDD.

The data sets are fixed block with LRECL=80. Block size as specified on the DD statement is used; if not specified, the block size is set to 80. If the program is unable to open PUNCHDD, DFSDDLT0 issues abend 251. Here is an example of the PUNCHDD DD statement.

If an error message was issued during the run, a message ERRORS WERE DETECTED WITHIN THE INPUT STREAM. REVIEW OUTPUT TO DETERMINE ERRORS. appears at the end of the DFSDDLTO output. You must examine the output to ensure DFSDDLTO executed as expected.

DFSDDLTO operations

You can use DFSDDLTO to load a database, print, retrieve, replace, and delete segments; perform regression testing; as a debugging aid; and to verify how a call is executed.

Load a database

Use DFSDDLTO for loading only very small databases because you must to provide all the calls and data rather than have them generated. The following example shows CALL FUNCTION and CALL DATA statements that are used to load a database.

```
|-----1-----2-----3-----4-----5-----6-----7-----<
0 SNAP= ,ABORT=0
S 1 2 2 1 1
L      ISRT COURSE
L      DATA FRENCH
L      ISRT COURSE
L      DATA COBOL
L      ISRT CLASS
L      DATA 12
L      ISRT CLASS
L      DATA 27
L      ISRT STUDENT
L      DATA SMITH      THERESE
L      ISRT STUDENT
L      DATA GRABOWSKY  MARION
```

Print the segments in a database

Use either of the following sequences of control statements to print the segments in a database.

```
|-----1-----2-----3-----4-----5-----6-----7-----<
.* Use PRINTDD, print call, compare, and PCB if compare unequal
.* Do 1 Get Unique call
.* Hold PCB compare, End step if status code is not blank, GA, GC, GK
.* Do 9,999 Get Next calls
S  2 2 2 1   DBDNAME
L      GU
EH8    OK
L  9999 GN
```

```
|-----1-----2-----3-----4-----5-----6-----7-----<
.* Use PRINTDD, print call, compare, and PCB if compare unequal
.* Do 1 Get Unique call
.* Hold PCB compare, Halt GN calls when status code is GB.
.* Do 9,999 Get Next calls
S  2 2 2 1   DBDNAME
L      GU
EH     OK
L  9999 GN
```

Both examples request the GN to be repeated 9999 times. Note that the first example uses a COMPARE PCB of EH8 while the second uses a COMPARE PCB of EH.

The difference between these two examples is that the first halts the job step the first time the status code is not blank, GA, GC, or GK. The second example halts repeating the GN and goes on to process any remaining DFSDDLTO control statements when a GB status code is returned or the GN has been repeated 9999 times.

Retrieve and replace a segment

Use the following sequence of control statements to retrieve and replace a segment.

```

|-----1-----|-----2-----|-----3-----|-----4-----|-----5-----|-----6-----|-----7-----|-----8-----
S 1 1 1 1 1 COURSEDB
L          GHU  COURSE  (TYPE    =FRENCH)                X
              CLASS  (WEEK    =27)                    X
              STUDENT (NAME    =SMITH)
L          REPL
L          DATA SMITH          THERESE

```

Delete a segment

Use the following sequence of control statements to delete a segment.

```

|-----1-----|-----2-----|-----3-----|-----4-----|-----5-----|-----6-----|-----7-----|-----8-----
S 1 1 1 1 1          4
L          GHU  COURSE  (TYPE    =FRENCH)                X
              CLASS  *L                    X
              INSTRUC (NUMBER  =444)
L          DLET

```

Do regression testing

DFSDDLTO is ideal for doing regression testing. By using a known database, DFSDDLTO can issue calls and then compare the results of the call to expected results using COMPARE statements. The program then can determine if DL/I calls are executed correctly. If you code all the print options as 2's (print only if comparisons done and unequal), only the calls not properly satisfied are displayed.

Use as a debugging aid

When debugging a program, you usually need a print of the DL/I blocks. You can snap the blocks to a log data set at appropriate times by using a COMPARE statement that has an unequal compare in it. You can then print the blocks from the log. If you need the blocks even though the call executed correctly, such as for the call before the failing call, insert a SNAP function in the CALL statement in the input stream.

Verify how a call is executed

Because it is very easy to execute a particular call, you can use DFSDDLTO to verify how a particular call is handled. This can be of value if you suspect DL/I is not operating correctly in a specific situation. You can issue the calls suspected of not executing properly and examine the results.

Chapter 2. DRDA DDM command architecture reference

IMS supports the distributed data management architecture (DDM) of the Distributed Relational Database Architecture™ (DRDA). You can develop your own source DDM server that communicates with the IMS target DDM server to provide access to databases managed by IMS DB in DBCTL and DB/TM IMS systems.

The IMS documentation for the DDM architecture includes only the DDM structures that are required to connect to and communicate with IMS and the DDM structures that have been changed or defined by IMS.

For the complete documentation of the DDM, see *DRDA, Version 4, Volume 3: Distributed Data Management (DDM) Architecture*, which is available from The Open Group at www.opengroup.org.

The DDM architecture includes the following elements or *terms*:

- Commands
- Command objects
- Reply objects
- Reply messages

Each term, whether it is a command, command object, reply object, parameter, or message, is represented by a *codepoint*, a hexadecimal value that represents and identifies the component in communication between a source server and the target server. For example, the EXCSAT command is represented by X'1041', the EXCSATRD reply object is represented by X'1443', the SRVNAM parameter is represented by X'116D', and so on.

As an open standard, the DRDA specification requires that products that use the specification must conform to the conventions, protocols, standards, and so on, of its architecture. However, the DDM architecture that is a part of the DRDA specification allows products to create *product-unique extensions*, in which a product, such as IMS, uses a subset of the existing DDM-defined commands, parameters, and messages, as well as product-unique structures that are defined by the product. When creating a product-unique extension that has product-unique structures, the product must conform to the DDM architecture.

The product-unique extension for IMS conforms to both the DDM architecture and the DRDA specification. IMS uses a subset of the existing DDM-defined commands, parameters, and messages, as well as a variety of IMS-defined structures that conform to the DDM architecture, but are unique to IMS.

Related concepts

[Programming with the IMS support for DRDA \(Application Programming\)](#)

Overview of the syntax for DDM terms supported by IMS

IMS supports the general syntax of terms defined by the distributed data management (DDM) architecture.

All DDM commands, reply messages, and chained objects begin with a 6-byte data stream structure header (DSSHDR), followed in order by a 2-byte binary integer that defines the length of the term (LL), and a 2-byte hexadecimal codepoint (CP) that uniquely identifies the DDM term, and data, if any.

Parameters of commands, messages, and objects start with LL, followed in order by CP and the data. Parameters, which are also known as instance variables, do not include a DSSHDR.

Some data structures, such as the IMS product-unique data structures `aibStream`, `dbpcbStream`, and `iopcbStream`, do not include DSSHDR, LL, or CP.

Related reference

[“DEALLOCDB command \(X'C801'\)” on page 271](#)

The distributed data management (DDM) DEALLOCDB command terminates all resources that are associated with a PSB by deallocating the PSB named in the RDBNAM parameter.

DSSHDR syntax

DSSHDR is the 6-byte header that contains information about the data stream structure (DSS) of terms defined by the distributed data management (DDM) architecture.

DSSHDR has the following format:

LL

A 2-byte specification of the length of the whole command, reply, or object, including the 6-byte DSS HEADER. The minimum possible value is 6, and the maximum is 32,767.

DDMID

A 1-byte Systems Network Architecture (SNA) registered General Data Stream (GDS) identifier. The DDMID field is always D0 for a DDM command.

FORMAT ID

A 1-byte indicator of whether the DSS is chained to the next DSS and what to do when errors occur. The byte contains the following bits, from 0 to 7, left to right:

Bit 0

Unused.

Bit 1

A flag. 1 indicates that the DSS structure is chained to the next structure. 0 indicates no chaining.

Bit 2

A flag. 1 indicates to continue when errors occur, and 0, otherwise.

Bit 3

A flag. 1 indicates that the next DSS has the same request correlator, and 0, otherwise. If bit 1 is 0, bit 3 is also 0.

Bits 4 through 7

Indicate the DSS type:

- 1: a Request DSS.
- 2: a Reply DSS.
- 3: an Object DSS.
- 4: an Encrypted Object DSS.

RQSDRR

A generated 2-byte field that associates a request with its request data, the replies to the request, and the data that is returned for the request.

DDM commit and rollback processing

The IMS implementation of the distributed data management (DDM) architecture includes support for commit and rollback processing.

XA support and the processing of global transactions is controlled by the DDM commands SYNCCTL and SYNCCRD.

The processing of local transactions is controlled by the DDM commands RDBCMM and RDBRLLBCK.

IMS does not extend these DDM commands beyond their original specification by DRDA.

Documentation for these commands can be found in *DRDA, Version 4, Volume 3: Distributed Data Management (DDM) Architecture*.

DDM commands and command objects

IMS supports a subset of the distributed data management (DDM) architecture commands and command objects and defines other IMS product-unique DDM commands.

ACCRDB command (X'2001')

The distributed data management (DDM) architecture ACCRDB command allocates a program specification block (PSB) on behalf of the source server. The PSB represents a connection between the DDM source server and an IMS database.

The PSB remains allocated until the database connection is closed and the communications conversation is terminated.

Format

► DSSHDR — LL — CP — RDBNAM — RDBACCCL — PRDID — PRDDTA — TYPDEFNAM ►

Parameters

DSSHDR

The 6-byte header that contains information about the data stream structure (DSS).

LL

The length specified as a 2-byte binary integer. This length includes LL and CP.

CP

X'2001', the 2-byte codepoint of the ACCRDB command.

RDBNAM

A required parameter (X'2110') that contains the IMS PSB name that identifies the target database. The PSB name is a character string up to 8 bytes long. RDBNAM can optionally include the alias name of the IMS data store.

RDBACCCL

A required parameter that specifies the application manager that accesses the database. The codepoint for RDBACCCL is X'210F'. The value of RDBACCCL is reserved and must be X'2407'.

PRDID

A required parameter that specifies the release level of the source DDM server. The codepoint for PRDID is X'112E'.

PRDDTA

An optional parameter that specifies product-specific information that is passed to the target if the SRVCLSNM of the target server is not known when the ACCRDB command is issued. The codepoint for PRDDTA is X'2104'. This parameter can be ignored by the target server.

TYPDEFNAM

A required parameter (X'002F') that specifies the name of the data type definition. TYPDEFNAM consists of a 2-byte specification of length (LL), a 2-byte codepoint (CP), and the VALUE. The VALUE is reserved and must be QTDSQL370, which is the general EBCDIC SQL type definition for machines that use EBCDIC strings, IEEE floating-point numbers, and non-byte-reversed floating-point and integer numbers.

Usage

If no errors occur during the processing of the ACCRDB command, the IMS target server returns the ACCRDBRM reply message to indicate that the database has been allocated.

Chained command objects

No command objects can be chained to the ACCRDB command.

Positive reply messages

In response to the ACCRDB command, the IMS target DDM server returns to the source server the following positive reply messages:

ACCRDBRM

Access to database completed.

Codepoint: X'2201'

Specifies that the named database in the previous ACCRDB command is now available to the client for processing.

Error reply messages

In response to the ACCRDB command, the IMS target DDM server can return to the source DDM server the following error reply messages that are unique to the ACCRDB command:

Table 76. Possible error reply messages unique to the ACCRDB command

Codepoint of reply message	Name of reply message	Meaning of reply message
X'2203'	RDBATHRM	Not authorized to database.
X'2211'	RDBNFNRM	Database not found.
X'221A'	RDBAFLRM	RDB access failed reply message. If the RDBNAM parameter was specified on the ACCRDB command, the RDBAFLRM reply message indicates that the database (RDB) failed the attempted connection.

Related reference

[“ACCRDBRM reply message \(X'2201’\)” on page 309](#)

The distributed data management (DDM) architecture ACCRDBRM (access to database completed) reply message specifies that the named database in the previous ACCRDB command is available to the client for processing.

[“RDBNAM parameter \(X'2110’\)” on page 344](#)

The distributed data management (DDM) architecture RDBNAM parameter identifies the target database for a given interaction.

[“RDBAFLRM reply message \(X'221A’\)” on page 326](#)

The distributed data management (DDM) architecture RDBAFLRM (database access failed) reply message indicates that the database access failed.

[“RDBATHRM reply message \(X'2203’\)” on page 327](#)

The distributed data management (DDM) architecture RDBATHRM (not authorized to database) reply message indicates that the user is not authorized to access the database.

[“RDBNACRM reply message \(X'2204’\)” on page 328](#)

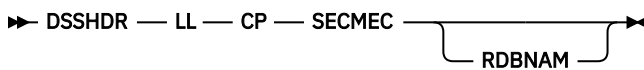
The distributed data management (DDM) architecture RDBNACRM (database not accessed) reply message indicates that the access database command (ACCRDB) was not issued prior to a command that requested the database services.

ACCSEC command (X'106D')

The ACCSEC DDM command is used to determine the type of security checking that is performed when an application program on the source server connects to a database on the IMS target server.

The source server uses the ACCSEC command to negotiate with the IMS target server which type of security mechanism, as defined by the DDM architecture, is used for identification and authentication. IMS supports only the user ID and Password Security Mechanism (USRIDPWD) of the DDM architecture. The ACCSEC command must always precede the SECCHK command when any of the valid security mechanisms are active.

Format



Parameters

DSSHDR

The 6-byte header that contains information about the data stream structure (DSS).

LL

The length specified as a 2-byte binary integer. This length includes LL and CP.

CP

X'106D', the 2-byte codepoint of the ACCSEC command.

SECMEC

A required parameter that specifies the security mechanism that the source server uses when interacting with the IMS target server. IMS supports only the USRIDPWD security mechanism of the DDM architecture. To specify USRIDPWD enter a 2-byte binary number 3 in the SECMEC parameter.

RDBNAM

An optional parameter (X'2110') that contains the IMS PSB name that identifies the target database. The PSB name is a character string up to 8 bytes long. RDBNAM can optionally include the alias name of the IMS data store.

Usage

During the initial handshaking between the source and target DRDA servers, the source server must issue the EXCSAT command chained to the ACCSEC command.

In a successful exchange, the IMS target server returns the ACCSECRD reply data object in response to the ACCSEC command. The ACCSECRD reply object identifies the security mechanism that is used by the IMS target server to the source server. In a successful exchange, the value returned in the ACCSECRD reply object is the same as the value of the SECMEC parameter of the ACCSEC command.

If the IMS target server detects an error while processing the ACCSEC command, the ACCSECRD reply object contains the SECCHKCD parameter. In the ACCSECRD reply object, the SECCHKCD parameter has an implied severity code of ERROR. After an error, the ACCSEC command must be sent again before a SECCHK command can be sent to authenticate the connection.

Chained command objects

No command objects can be chained to the ACCSEC command.

Reply data objects

In response to the ACCSEC command, the IMS target DDM server can return to the source DDM server the following reply data objects:

ACCSECRD (X'14AC')

Access security reply data.

Error reply messages

In response to the ACCSEC command, the IMS target DDM server can return to the source DDM server the following reply messages:

Table 77. Possible reply messages for the ACCSEC command

Codepoint of reply message	Name of reply message	Meaning of reply message
X'121C'	CMDATHRM	Not Authorized to Command
X'1232'	AGNPRMRM	Permanent agent error
X'1233'	RSCLMTRM	Resource limits reached
X'123C'	INVRQSRM	Invalid request
X'124C'	SYNTAXRM	Data stream syntax error
X'1250'	CMDNSPRM	Command not supported
X'1251'	PRMNSPRM	Parameter not supported
X'1252'	VALNSPRM	Parameter value not supported
X'1254'	CMDCHKRM	Command check reply message
X'125F'	TRGNSPRM	Target not supported

Related reference

“ACCSECRD reply object (X'14AC’)” on page 311

The distributed data management (DDM) architecture ACCSECRD (access security reply data) reply object contains the security information from the security manager of the target server. This information is returned in response to the ACCSEC command.

“RDBNAM parameter (X'2110’)” on page 344

The distributed data management (DDM) architecture RDBNAM parameter identifies the target database for a given interaction.

CLSQR command (X'2005')

The distributed data management (DDM) Architecture CLSQRY command closes a query that was opened previously by an OPNQRY call.

Format

►► DSSHDR — LL — CP — PCBNAME ◄◄

Parameters

DSSHDR

The 6-byte header that contains information about the data stream structure (DSS).

LL

The length specified as a 2-byte binary integer. This length includes LL and CP.

CP

X'2005', the 2-byte codepoint of the CLSQRY command.

PCBNAME

A required parameter that specifies the PCB name that uniquely identifies the query made by a DL/I call. The PCB name is specified as a character string. The value is initially sent with the original OPNQRY command. The same value must subsequently be sent in commands such as CNTQRY, CLSQRY, and RLSE for proper correlation with the original OPNQRY call. The codepoint for the PCBNAME parameter is X'C907'.

Usage

Use the DDM command CLSQRY (close a query) to close a query that was opened previously by an OPNQRY call.

Chained command objects

No command objects can be chained to the CLSQRY command.

Error reply messages

If errors occur during the processing of the CLSQRY command, the IMS target DDM server can return to the source DDM server the following error reply messages:

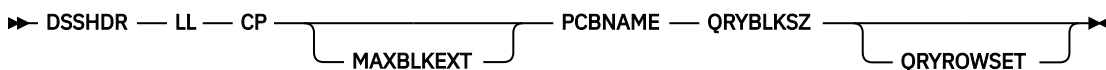
Table 78. Possible error reply messages for the CLSQRY command

Codepoint of reply message	Name of reply message	Meaning of reply message
X'121C'	CMDATHRM	Not Authorized to Command
X'1232'	AGNPRMRM	Permanent agent error
X'1233'	RSCLMTRM	Resource limits reached
X'1245'	PRCCNVRM	Conversational protocol error
X'124C'	SYNTAXRM	Data stream syntax error
X'1250'	CMDNSPRM	Command not supported
X'1251'	PRMNSPRM	Parameter not supported
X'1252'	VALNSPRM	Parameter value not supported
X'1254'	CMDCHKRM	Command check reply message
X'125F'	TRGNSPRM	Target not supported

CNTQRY command (X'2006')

The distributed data management (DDM) architecture CNTQRY command continues a query by resuming the return of the result set data that was generated by a previous OPNQRY call.

Format



Parameters

DSSHDR

The 6-byte header that contains information about the data stream structure (DSS).

LL

The length specified as a 2-byte binary integer. This length includes LL and CP.

CP

X'2006', the 2-byte codepoint of the CNTQRY command.

MAXBLKEXT

An optional parameter that specifies the maximum number of extra blocks per result set that the requester is capable of receiving as reply data in the response to the CNTQRY command. The number is specified as a 2-byte binary number. A value of 0 indicates that the requester is not capable of receiving extra query blocks of answer set data. A value of -1 indicates that the requester is capable of receiving the entire result set. The codepoint for MAXBLKEXT is X'2141'.

PCBNAME

A required parameter that specifies the PCB name that uniquely identifies the query made by a DL/I call. The PCB name is specified as a character string. The value is initially sent with the original OPNQRY command. The same value must subsequently be sent in commands such as CNTQRY, CLSQRY, and RLSE for proper correlation with the original OPNQRY call. The codepoint for the PCBNAME parameter is X'C907'.

QRYBLKSZ

A required parameter that specifies the size of query blocks that is ideal for the source application program. Query blocks are used by the target server to return answer set data. The target server can override this parameter as needed. The query block size is specified as a 4-byte unsigned binary number. The minimum size for a query block is 0.5 KB. The maximum size is 10 MB. The codepoint for QRYBLKSZ is X'2114'.

QRYROWSET

An optional parameter that specifies the number of rows of data to return in one network reply. The number of rows is specified as a 4-byte binary number. The minimum value for QRYROWSET is 0. The maximum value is 32 767. The code point for the QRYROWSET parameter is X'2156'.

The JDBC driver uses the following calculation to determine how many records can be placed into the buffer that ODBM returns from the IMS DB through the DRDA protocol. Here is a brief description of the variables used in the formula:

IOAREALENGTH: By leveraging the database metadata available in the catalog, the length for a given path (record) call can be determined. This is the sum of the maximum possible length for all segments in the path call. For example, if you specify **SELECT * FROM SEGMA, SEGMB** where SEGMB is a child of SEGMA, then the length of the path call (record) being returned is the length of SEGMA + the length of SEGMB. This length is referred to as **IOAREALENGTH**.

MAXRETURNDATA: ODBM has its own buffer that is used to collect data prior to sending it back to the user. This buffer is referred to as **MAXRETURNDATA** and is set to 1MB.

MAXROWDATA: For each record that gets returned, there is some additional overhead that uses the amount of usable buffer space for actual record data. The formula accounts for this additional overhead. 44 bytes will be used for the key feedback of each row as well as bytes used to describe the SSAList (equivalent of the WHERE clause from the SQL statement). The amount of space required per row of data is referred to as **MAXROWDATA**.

Formula used to calculate QRYROWSET:

```
IOAREALENGTH = LENGTH_OF_YOUR_PATHCALL
MAXRETURNDATA = 1MB
MAXROWDATA = 44 + (NUM_OF_SEGMENT_LEVELS_IN_SSALIST * 256) + IOAREALENGTH
QRYROWSET = MAXRETURNDATA / MAXROWDATA
```

Usage

The DDM command CNTQRY (continue a query) to resume the return of result set data generated by a previous OPNQRY call.

Chained command objects

No command objects are chained to the CNTQRY command.

Reply data objects

The following reply data objects can be returned in response to the CNTQRY command:

QRYDTA (X'241B')

Query answer set data.

Error reply messages

If errors occur during the processing of the CNTQRY command, the IMS target DDM server can return to the source DDM server the following error reply messages:

Table 79. Possible error reply messages for the CNTQRY command

Codepoint of reply message	Name of reply message	Meaning of reply message
X'121C'	CMDATHRM	Not authorized to command
X'1232'	AGNPRMRM	Permanent agent error
X'1233'	RSCLMTRM	Resource limits reached
X'1245'	PRCCNVRM	Conversational protocol error
X'124C'	SYNTAXRM	Data stream syntax error
X'1250'	CMDNSPRM	Command not supported
X'1251'	PRMNSPRM	Parameter not supported
X'1252'	VALNSPRM	Parameter value not supported
X'1254'	CMDCHKRM	Command check reply message
X'125F'	TRGNSPRM	Target not supported
X'2204'	RDBNACRM	Database not accessed
X'220B'	ENDQRYRM	End of query
X'220D'	ABNUOWRM	Abnormal end of unit of work condition
X'2213'	SQLERRRM	SQL error condition
X'2218'	RDBUPDRM	Database update reply message.

DEALLOCDB command (X'C801')

The distributed data management (DDM) DEALLOCDB command terminates all resources that are associated with a PSB by deallocating the PSB named in the RDBNAM parameter.

Format

►► DSSHDR — LL — CP — RDBNAM ►►

Parameters

DSSHDR

The 6-byte header that contains information about the data stream structure (DSS).

LL

The length specified as a 2-byte binary integer. This length includes LL and CP.

CP

X'C801', the 2-byte codepoint of the DEALLOCDB command.

RDBNAM

A required parameter (X'2110') that contains the IMS PSB name that identifies the target database. The PSB name is a character string up to 8 bytes long. RDBNAM can optionally include the alias name of the IMS data store.

Usage

If no errors occur during the processing of the DEALLOCDB command, the IMS target server returns the DEALLOCDBRM reply message to indicate that the database has been successfully deallocated.

Chained command objects

No command objects can be chained to the DEALLOCDB command.

Positive reply messages

In response to the DEALLOCDB command, the IMS target DDM server returns to the source server the following positive reply messages:

DEALLOCDBRM (X'CA01')

Deallocation of database complete.

Specifies that the named PSB is now deallocated.

Error reply messages

In response to the DEALLOCDB command, the IMS target DDM server can return to the source DDM server the following error reply messages:

Table 80. Possible error reply messages for the DEALLOCDB command

Codepoint of reply message	Name of reply message	Meaning of reply message
X'1232'	<u>AGNPRMRM</u>	Permanent agent error
X'124C'	SYNTAXRM	Data stream syntax error

Related reference

[“RDBNAM parameter \(X'2110'\)” on page 344](#)

The distributed data management (DDM) architecture RDBNAM parameter identifies the target database for a given interaction.

[“DEALLOCDBRM reply message \(X'CA01'\)” on page 314](#)

The distributed data management (DDM) architecture DEALLOCDBRM (deallocate database completed) reply message indicates that the named PSB is deallocated.

[“Overview of the syntax for DDM terms supported by IMS” on page 263](#)

IMS supports the general syntax of terms defined by the distributed data management (DDM) architecture.

DLIFUNC command object (X'CC05')

Use the distributed data management (DDM) architecture DLIFUNC (DL/I function) command object to specify the DL/I function that is being called.

Format

► DSSHDR — LL — CP — BYTSTRDR ◄

Parameters

DSSHDR

The 6-byte header that contains information about the data stream structure (DSS).

LL

The length specified as a 2-byte binary integer. This length includes LL and CP.

CP

X'CC05', the 2-byte codepoint of the DLIFUNC command object.

BYTSTRDR

Byte String Data Representation, a required character string that contains the DL/I call to run on the database. The following character string values can be specified in the DLIFUNC command object:

ISRT

Insert call

DLET

Delete call

REPL

Replace call

GHU

Get Hold Unique call

GU

Get Unique call

GHN

Get Hold Next call

GN

Get Next call

GHNP

Get Hold Next Within Parent call

GNP

Get Next Within Parent call

DELETE

Batch Delete call

UPDATE

Batch Replace call

RETRIEVE

Batch Retrieve call

Related reference

[“EXCSQLIMM command \(X'200A’\)” on page 276](#)

The distributed data management (DDM) architecture EXCSQLIMM command executes an insert, update, or delete operation on an IMS database.

[“OPNQRY command \(X'200C’\)” on page 286](#)

The distributed data management (DDM) architecture OPNQRY command opens a query to a database for a read request.

DLIFUNCFLG command object (X'CC09')

Use the distributed data management (DDM) architecture DLIFUNCFLG (DL/I function flag) command object to specify whether a DL/I batch processing operation starts with a GU or a GN call and which SSA list is associated with each call.

Format

► DSSHDR — LL — CP — FFFF ◄

Parameters

DSSHDR

The 6-byte header that contains information about the data stream structure (DSS).

LL

The length specified as a 2-byte binary integer. This length includes LL and CP.

CP

X'CC09', the 2-byte codepoint of the DLIFUNCFLG command object.

FFFF

A required 4-byte flag value. Each byte in the flag specifies a different DL/I batch processing option:

First byte

X'00'

Begin batch processing with a GHN call.

X'80'

Begin batch processing with a GHU call.

Second byte

The first four bits of the second byte indicate which SSAList is associated with the get position call. The second four bits indicate which SSAList is associated with an optional REPL call that follows the get position call:

B'0000'

No SSA

B'1000'

First SSA in list

B'0100'

Second SSA in list

B'0010'

Third SSA in list

B'0001'

Fourth SSA in list

Third byte

The third byte is specified in the same format as the second byte, but is used for subsequent GHN and optional REPL calls that follow the initial get position call.

Fourth byte

Reserved.

EXCSAT command (X'1041')

The distributed data management (DDM) architecture EXCSAT command initiates the exchange of attributes between a source application server and an IMS target server to identify the server class names and levels of DDM support of each server. The EXCSAT command must always be the first command sent from a source server to the IMS target server.

Format



Parameters

DSSHDR

The 6-byte header that contains information about the data stream structure (DSS).

LL

The length specified as a 2-byte binary integer. This length includes LL and CP.

CP

X'1041', the 2-byte codepoint of the EXCSAT command.

EXTNAM

Optional. The variable-length name of the process or thread that is requesting access to an IMS database. The specified name identifies the application thread for tracing and problem determination. If the job name includes embedded blanks, the name must be enclosed in quotation marks. The maximum length of EXTNAM is 255 bytes. The codepoint is X'115E'.

SRVNAM

Optional. The variable-length name of the source DDM server. The specified name identifies for tracing and problem determination purposes the hostname of the computer that the source application program is running on. If the server name includes embedded blanks, the name must be enclosed in quotation marks. The maximum length is 255 bytes. The codepoint is X'116D'.

SRVCLSNM

Specifies the DDM server class name used by IMS: DFS. DFS is currently the only class name supported by IMS. The SRVCLSNM enables the DRDA product-unique extension used by IMS.

The codepoint of SRVCLSNM is X'1147'. The variable-length DDM server class name is specified as a character string.

Usage

The EXCSAT DDM command is used to initiate a request to access an IMS database and identify the requestor, a DDM source server to the DDM target server of IMS.

During the initial handshaking between the source and target DRDA servers, the source server must issue the EXCSAT command chained to the ACCSEC command.

In a successful exchange, the IMS target server returns the EXCSATRD reply data object in response to the EXCSAT command. The EXCSATRD reply object identifies the IMS target server to the source server.

Chained command objects

No command objects are chained to the EXCSAT command.

Reply data objects

In response to the EXCSAT command, the IMS target DDM server can return to the source DDM server the following reply data objects:

EXCSATRD (X'1443')

Exchange server attributes.

Error reply messages

In response to the EXCSAT command, the IMS target DDM server can return to the source DDM server the following error reply messages:

Table 81. Possible error reply messages for the EXCSAT command

Codepoint of reply message	Name of reply message	Meaning of reply message
X'1210'	MGRLVLRM	Manager-level conflict
X'124C'	SYNTAXRM	Data stream syntax error
X'1250'	CMDNSPRM	Command not supported
X'1251'	PRMNSPRM	Parameter not supported
X'1252'	VALNSPRM	Parameter value not supported
X'1254'	CMDCHKRM	Command check reply message
X'125F'	TRGNSPRM	Target not supported

Related reference

“EXCSATRD reply object (X'1443')” on page 317

The EXCSATRD reply data object returns information about the IMS target DDM server, such as server name or the product release level, to the source DDM server.

EXCSQLIMM command (X'200A')

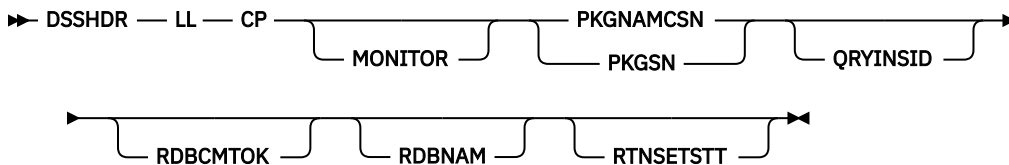
The distributed data management (DDM) architecture EXCSQLIMM command executes an insert, update, or delete operation on an IMS database.

Format

DLI Flow:



SQL Flow:



Parameters

DSSHDR

The 6-byte header that contains information about the data stream structure (DSS).

LL

The length specified as a 2-byte binary integer. This length includes LL and CP.

CP

X'200A', the 2-byte code point of the EXCSQLIMM command.

QRYINSID

An 8-byte query instance identifier.

Restriction: This parameter is required if the EXCSQLIMM command is operating on a positioned delete/update SQL statement and more than one query instance exists for the section associated with the query.

PCBNAME

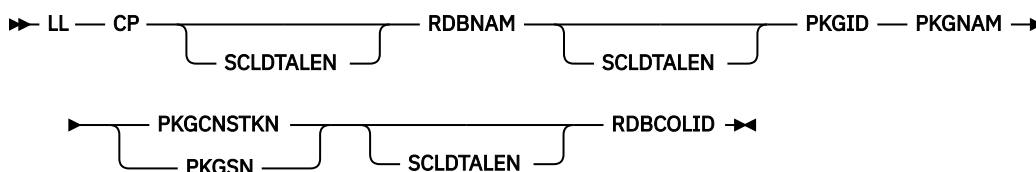
A required parameter that specifies the PCB name that uniquely identifies the query made by a DL/I call. The PCB name is specified as a character string. The value is initially sent with the original OPNQRY command. The same value must subsequently be sent in commands such as CNTQRY, CLSQRY, and RLSE for proper correlation with the original OPNQRY call. The codepoint for the PCBNAME parameter is X'C907'.

PKGNAMCSN(X'2113')

Specifies the fully qualified package name, consistency token, and section number within the package that is used to execute the SQL. The PKGNAMCSN can have one of the following formats, depending on the length of the RDBNAM, RDBCOLID, and PKGID contained therein:

- RDBNAM, RDBCOLID, and PKGID each have a length of 18. This format of the PKGNAMCSN is identical to the sole format used before DDM Level 7, where the length is fixed at 68. The use of the SCLDTALEN is disallowed with this format.
- At least one of RDBNAM, RDBCOLID, or PKGID has a length > 18. This format of the PKGNAMCSN requires the SCLDTALEN precedes each of the RDBNAM, RDBCOLID, and PKGID. With this format, the PKGNAMCSN has a minimum length of 75 and a maximum length of 785.

Format:



Parameters:

RDBNAM

An 18- to 255-byte character field that represents the relational database name.

PKGID

An 18- to 255-byte character field that represents the relational database package identifier.

PKGNAME

An 18- to 255-byte character field that specifies the fully qualified name of a relational database package.

PKGCNSTKN

An 8-byte character field that verifies that the requester's application and the relational database package are synchronized. Mutually exclusive with PKGSN.

PKGSN

A 2-byte short field that represents the Section Number. Mutually exclusive with PKGCNSTKN.

SCLDTALEN

Specifies the length of the instance variable that immediately follows:

- RDB collection identifier (RDBCOLID)
- Relational database name (RDBNAM)
- RDB package identifier (PKGID)

This token is allowed only when the length of one or more of the parameters listed is greater than 18 bytes.

RDBCOLID

An 18- to 255-byte character field that identifies a unique collection of objects that are contained in a relational database. It is used for user-defined grouping.

Note: If the length of any one of RDBNAM, RDBCOLID, or PKGID exceeds 18 bytes, the SCLDTALEN is mandatory and must precede the RDBCOLID. Otherwise, the SCLDTALEN is disallowed.

RDBCMTOK

An optional parameter (X'2105') that specifies whether the database allows the processing of commit and rollback operations. Set the value to X'F1' (TRUE), which indicates that the database does allow commit and rollback processing.

Note: IMS Universal drivers always send a value of TRUE.

RTNSETSTT(X'210E')

If any special register setting was modified during command execution, the return SET statement controls whether the target server must return one or more SQLSTT reply data objects upon successful command processing. Each SQLSTT reply data object contains an SQL SET statement for a special register whose setting was modified on the current connection.

If no special register setting was modified, no SQLSTT reply data object is returned, regardless of the RTNSETSTT setting.

Format:

►► LL — CP — VALUE ◄◄

Parameters:

VALUE

X'00'

Target server must not return any SQL SET statements.

X'01'

Target server must return one or more SQL SET statements for special registers whose settings were modified.

—

Note: IMS always sends X'01' from the IMS Universal drivers.

MONITOR(X'1900')

►► LL — CP — FLAGS ◄◄

FLAGS

A 4-byte flag value.

Usage

The DDM command EXCSQLIMM (execute immediate SQL) executes a replace, insert, or delete operation on an IMS database.

If no errors occur during the processing of the EXCSQLIMM command, the IMS target server returns the database update reply message RDBUPDRM (X'2218').

Chained command objects

The following command objects can be chained to the EXCSQLIMM command:

INAIB (X'CC01')

Contains AIB data. If the DLIFUNC value is either DELETE or UPDATE, the AIB parameter is required.

DLIFUNC (X'CC05')

The DL/I call to execute on the database. The DL/I call is specified as a character string and defines the action to perform on the database. For a description of the possible values for DLIFUNC, see the description of DLIFUNC.

FLDENTRY (X'CC03')

If DLIFUNC is set to ISRT, REPL, or UPDATE, the FLDENTRY parameter is required.

SSALIST (X'CC06')

Lists the segment search arguments. If DLIFUNC is set to UPDATE or DELETE, the SSALIST parameter is required. If DLIFUNC is set to DLET, ISRT, or REPL, the SSALIST parameter is optional.

Positive reply messages

In response to the EXCSQLIMM command, the IMS target DDM server returns to the source server the following positive reply message:

RDBUPDRM (X'2218')

Database update reply message.

Reply data objects

No reply data objects are returned in response to the EXCSQLIMM command.

Error reply messages

In response to the EXCSQLIMM command, the IMS target DDM server can return to the source DDM server the following error reply messages:

Table 82. Possible error reply messages for the EXCSQLIMM command

Code point of reply message	Name of reply message	Meaning of reply message
X'121C'	CMDATHRM	Not Authorized to Command
X'1232'	AGNPRMRM	Permanent agent error
X'1233'	RSCLMTRM	Resource limits reached
X'1245'	PRCCNVRM	Conversational protocol error
X'124C'	SYNTAXRM	Data stream syntax error
X'1250'	CMDNSPRM	Command not supported
X'1251'	PRMNSPRM	Parameter not supported
X'1252'	VALNSPRM	Parameter value not supported
X'1253'	OBJNSPRM	Object not supported
X'1254'	CMDCHKRM	Command check reply message
X'125F'	TRGNSPRM	Target not supported
X'2204'	RDBNACRM	Database not accessed
X'220D'	ABNUOWRM	Abnormal end of unit of work condition
X'220E'	DTAMCHRM	Data Descriptor Mismatch
X'2213'	SQLERRRM	SQL error condition
X'2225'	CMMRQSRM	Commitment request

EXCSQLIMM examples

The following example shows EXCSQLIMM that is part of the request to an OPNQRY call.

```
[ibm][ims][drda][t4] SEND BUFFER: EXCSQLIMM (ASCII) (EBCDIC)
[ibm][ims][drda][t4] 0000 0060D0510002005A 200A00442113E2C1 .`.Q...Z ..D!... .-}....!.....SA
[ibm][ims][drda][t4] 0010 D4D7D3C540404040 4040404040404040 ....@@@@@@@@@@@@ MPLE
[ibm][ims][drda][t4] 0020 D5E4D3D3C9C44040 4040404040404040 .....@@@@@@@@@@@@ NULLID
[ibm][ims][drda][t4] 0030 4040E2E8E2E2C8F2 F0F0404040404040 @@.....@@@@@@@@ SYSSH200
[ibm][ims][drda][t4] 0040 404040405359534C 564C303100410005 @@@@SYSLVL01.A.. ...<.<.....
[ibm][ims][drda][t4] 0050 2105F10005210E01 0008190080000000 !....!..... ..1.....
```

Related reference

[“DLIFUNC command object \(X'CC05'\)” on page 273](#)

Use the distributed data management (DDM) architecture DLIFUNC (DL/I function) command object to specify the DL/I function that is being called.

[“FLDENTRY command object \(X'CC03'\)” on page 282](#)

Use the distributed data management (DDM) architecture FLDENTRY (field entry) command object to specify the field to insert or update.

[“SSALIST command object \(X'CC06'\)” on page 307](#)

Use the distributed data management (DDM) architecture SSALIST command object to contain the list of segment search argument (SSA) objects to qualify the DL/I call.

[“INAIB command object \(X'CC01'\)” on page 284](#)

Use the distributed data management (DDM) architecture INAIB (input AIB) command object to contain the AIB data to send from the source to the target server.

[“RDBUPDRM reply message \(X'2218'\)” on page 330](#)

The distributed data management (DDM) architecture RDBUPDRM (database update) reply message indicates that the a DDM command resulted in an update at the target database.

EXCSQLSET command (X'2014')

The distributed data management (DDM) architecture Execute SQL SET command (EXCSQLSET) executes one or more SET statements to establish the application environment.

Format

➤ DSSHDR — LL — CP — PKGNAMCSN — RTNSETSTT — MONITOR ➤

Parameters

DSSHDR

The 6-byte header field containing information about the DSS.

LL

A 2-byte field that has the length of the EXCSQLSET command.

CP(X'2014')

The 2-byte codepoint of the EXCSQLSET command.

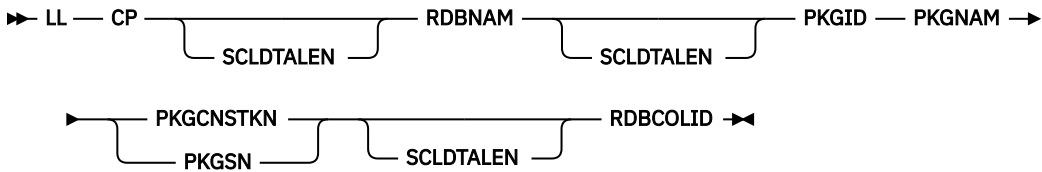
PKGNAMCSN(X'2113')

Specifies the fully qualified package name, consistency token, and section number within the package that is used to execute the SQL. The PKGNAMCSN can have one of the following formats, depending on the length of the RDBNAM, RDBCOLID, and PKGID contained therein:

- RDBNAM, RDBCOLID, and PKGID each have a length of 18. This format of the PKGNAMCSN is identical to the sole format used before DDM Level 7, where the length is fixed at 68. The use of the SCLDTALEN is disallowed with this format.

- At least one of RDBNAM, RDBCOLID, or PKGID has a length > 18. This format of the PKGNAMCSN requires the SCLDTALEN precedes each of the RDBNAM, RDBCOLID, and PKGID. With this format, the PKGNAMCSN has a minimum length of 75 and a maximum length of 785.

Format:



Parameters:

RDBNAM

An 18- to 255-byte character field that represents the relational database name.

PKGID

An 18- to 255-byte character field that represents the relational database package identifier.

PKGNAM

An 18- to 255-byte character field that specifies the fully qualified name of a relational database package.

PKGCNSTKN

An 8-byte character field that verifies that the requester’s application and the relational database package are synchronized. Mutually exclusive with PKGSN.

PKGSN

A 2-byte short field that represents the Section Number. Mutually exclusive with PKGCNSTKN.

SCLDTALEN

Specifies the length of the instance variable that immediately follows:

- RDB collection identifier (RDBCOLID)
- Relational database name (RDBNAM)
- RDB package identifier (PKGID)

This token is allowed only when the length of one or more of the parameters listed is greater than 18 bytes.

RDBCOLID

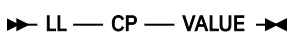
An 18- to 255-byte character field that identifies a unique collection of objects that are contained in a relational database. It is used for user-defined grouping.

Note: If the length of any one of RDBNAM, RDBCOLID, or PKGID exceeds 18 bytes, the SCLDTALEN is mandatory and must precede the RDBCOLID. Otherwise, the SCLDTALEN is disallowed.

RTNSETSTT(X'210E')

Return SET statement controls whether the target server must return one or more SQLSTT reply data objects, each containing an SQL SET statement for a special register whose setting has been modified on the current connection, upon successful processing of the command, if any special register had its setting modified during execution of the command. NO SQLSTT reply data object is returned if no special register has had its setting modified, regardless of RTNSETSTT setting.

Format:



Parameters:

VALUE

X'00' – Target server must not return any SQL SET statements.

The distributed data management (DDM) architecture EXCSQLIMM command executes an insert, update, or delete operation on an IMS database.

FLDENTRYREL command object (X'CC0C')

Use the distributed data management (DDM) architecture FLDENTRYREL (relative field entry) command object to specify which field to insert or update.

Restriction: The FLDENTRYREL command object is supported only with an ODBM DDM level of 1, 2, 3 or 1, 3.

Format

► DSSHDR — LL — CP — SEGMOFF — SEGMID — FLDVAL ◄

Parameters

DSSHDR

The 6-byte header that contains information about the data stream structure (DSS).

LL

The length specified as a 2-byte binary integer. This length includes LL and CP.

CP

X'CC0C', the 2-byte codepoint of the FLDENTRYREL command object.

SEGMOFF

A required, 4-byte, signed integer that specifies the relative offset of the target field from the start of the parent segment.

SEGMID

A required, 1-byte, signed integer that specifies which segment in the SEGMLIST the field is referenced from. This value is relative to 1 rather than 0.

FLDVAL

The value for the field that is being updated or inserted.

IMSCALL command (X'C803')

Use the distributed data management (DDM) architecture IMSCALL command to issue DL/I calls for IMS DB system services.

Format

► DSSHDR — LL — CP — CALLNAME — IOAREA ◄

Parameters

DSSHDR

The 6-byte header that contains information about the data stream structure (DSS).

LL

The length specified as a 2-byte binary integer. This length includes LL and CP.

CP

X'C803', the 2-byte codepoint of the IMSCALL command.

CALLNAME

A required character string (codepoint is X'C90C') that represents the type of the DL/I call that is made.

IOAREA

An optional parameter in byte array (codepoint is X'C90B') that specifies the input and output area.

Usage

The IMSCALL command issues DL/I calls for IMS DB system services in the following format:

➤ *call_name* — INAIB — IOAREA ➤

Chained command objects

INAIB (X'CC01')

The AIB data to send from the source to the target server.

Positive reply messages

In response to the IMSCALL command, the IMS target DDM server returns to the source server the following reply message:

IMSCALLRM (X'CA04')

Contains the results of the IMSCALL command. The results can indicate the success or failure of the DL/I call for IMS DB system services.

Error reply messages

In response to the OPNQRY command, the IMS target DDM server can return to the source DDM server the following error reply messages:

Table 83. Possible reply messages for the OPNQRY command

Codepoint of reply message	Name of reply message	Meaning of reply message
X'1232'	AGNPRMRM	Permanent agent error
X'124C'	SYNTAXRM	Data stream syntax error
X'1251'	PRMNSPRM	Parameter not supported
X'1252'	VALNSPRM	Parameter value not supported

Related reference

[“IMSCALLRM reply message \(X'CA04’\)” on page 318](#)

The distributed data management (DDM) architecture IMSCALLRM (IMS call) reply message returns the results of a DL/I call for IMS DB system services submitted by using the IMSCALL command.

[“INAIB command object \(X'CC01’\)” on page 284](#)

Use the distributed data management (DDM) architecture INAIB (input AIB) command object to contain the AIB data to send from the source to the target server.

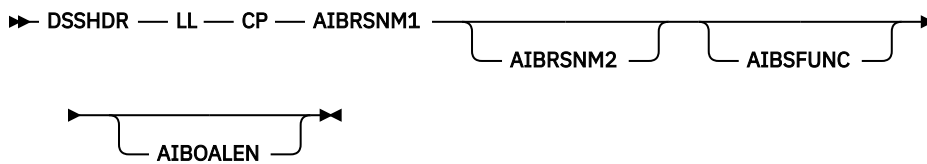
[“DL/I calls for IMS DB system services” on page 30](#)

Use these DL/I calls to obtain IMS DB system services.

INAIB command object (X'CC01')

Use the distributed data management (DDM) architecture INAIB (input AIB) command object to contain the AIB data to send from the source to the target server.

Format



Parameters

DSSHDR

The 6-byte header that contains information about the data stream structure (DSS).

LL

The length specified as a 2-byte binary integer. This length includes LL and CP.

CP

X'CC01', the 2-byte codepoint of the INAIB command object.

AIBRSNM1

A required String that contains the resource (PCB) name. The string must be left-aligned and padded with blanks, to a total of 8 bytes. The codepoint is X'C901'.

AIBRSNM2

An optional String that contains a 4-character ID of ODBA startup table DFSxxxx0, where xxxx is the 4-character ID. The codepoint is X'C902'.

AIBSFUNC

An optional String that contains the sub-function code. The String must be left justified and padded with blanks to a total of 8 bytes. The codepoint is X'C903'.

AIBOALEN

An optional, 4-byte integer that specifies the maximum output length. This field is used for all calls that return data. The codepoint is X'C904'.

Usage

This AIB command object contains only the AIB data to send from the source to the target server. The AIB and DBPCB data to send from the target to the source server is contained in the aibStream and dbpcbStream data structures inside the OUTAIBDBPCB objects.

Related reference

[“AIBOALEN parameter \(X'C904’\)” on page 336](#)

The AIBOALEN parameter is an IMS product-unique distributed data management (DDM) architecture parameter that identifies the maximum output length on all calls that return data.

[“AIBRSNM1 parameter \(X'C901’\)” on page 337](#)

The AIBRSNM1 parameter is an IMS product-unique distributed data management (DDM) architecture parameter that contains the PCB name.

[“AIBRSNM2 parameter \(X'C902’\)” on page 337](#)

The AIBRSNM2 parameter is an IMS product-unique distributed data management (DDM) architecture parameter that contains the identifier of the ODBA startup table.

[“AIBSFUNC parameter \(X'C903’\)” on page 338](#)

The AIBSFUNC parameter is an IMS product-unique distributed data management (DDM) architecture parameter that contains the sub-function code, if any, of a DL/I call.

[“EXCSQLIMM command \(X'200A’\)” on page 276](#)

The distributed data management (DDM) architecture EXCSQLIMM command executes an insert, update, or delete operation on an IMS database.

[“IMSCALL command \(X'C803’\)” on page 283](#)

Use the distributed data management (DDM) architecture IMSCALL command to issue DL/I calls for IMS DB system services.

[“OPNQRY command \(X'200C’\)” on page 286](#)

The distributed data management (DDM) architecture OPNQRY command opens a query to a database for a read request.

MONITORRD command (X'1C00')

The distributed data management (DDM) architecture MONITORRD allows the target agent to return monitoring data to the source agent. The value returned is used to determine the elapsed CPU time for a database call.

Format

►► DSSHDR — LL — CP — ETIME ◄◄

Parameters

DSSHDR

The 6-byte header field containing information about the DSS.

LL

A 2-byte field that has the length of the MONITORRD command.

CP(X'1C00')

The 2-byte codepoint of the MONITORRD command.

ETIME(X'1901')

The elapsed time is a 64-bit binary number that measures time in microseconds. Consists of two bytes of length field (LL), and two bytes of the code point, followed by the data. The length is 12 bytes.

Format:

►► LL — CP — VALUE ◄◄

Parameters:

VALUE

An 8-byte field representing the elapsed time.

MONITORRD example

In the following example, the server time is calculated in the trace by aggregated all of the MONITORRD ETIME values for a communication exchange.

```
[ibm][ims][drda][t4] RECEIVE BUFFER: MONITORRD (ASCII) (EBCDIC)
[ibm][ims][drda][t4] 0000 0016D04300020010 1C00000C19010000 ...C..... ..}.....
[ibm][ims][drda][t4] 0010 0000000036B39 ....k9 .....
[ibm][ims][drda][SystemMonitor:stop] core: 283.09152ms | network: 256.137805ms | server: 254.816ms
```

OPNQRY command (X'200C')

The distributed data management (DDM) architecture OPNQRY command opens a query to a database for a read request.

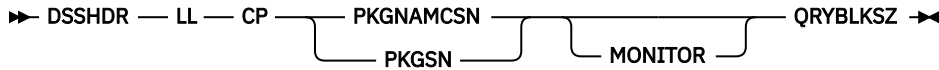
Format

DLI Flow:

►► DSSHDR — LL — CP →



SQL Flow:



Parameters

DSSHDR

The 6-byte header that contains information about the data stream structure (DSS).

LL

The length specified as a 2-byte binary integer. This length includes LL and CP.

CP

X'200C', the 2-byte code point of the OPNQRY command.

MAXBLKEXT

An optional parameter that specifies the maximum number of extra blocks per result set that the requester is capable of receiving as reply data in the response to an OPNQRY or CNTQRY command. The number is specified as a 2-byte binary number. A value of 0 indicates that the requester is not capable of receiving extra query blocks of answer set data. A value of -1 indicates that the requester is capable of receiving the entire result set. The code point for MAXBLKEXT is X'2141'.

MONITOR(X'1900')

►► LL — CP — FLAGS →

FLAGS

A 4-byte flag value.

PCBNAM

A required parameter that specifies the PCB name that uniquely identifies the query made by a DL/I call. The PCB name is specified as a character string. The value is initially sent with the original OPNQRY command. The same value must subsequently be sent in commands such as CNTQRY, CLSQRY, and RLSE for proper correlation with the original OPNQRY call. The codepoint for the PCBNAM parameter is X'C907'.

PKGNAME(X'2113')

Specifies the fully qualified package name, consistency token, and section number within the package that is used to execute the SQL. Mutually exclusive with PKGSN.

PKGSN

A 2-byte short field that represents the Section Number. Mutually exclusive with PKGCNSTKN.

QRYBLKCTL

An optional parameter that specifies the type of query block protocol that is used when a query is opened. IMS supports only the limited block query protocol of the DDM architecture. If the QRYBLKCTL parameter is specified on the OPNQRY command, the 2-byte data portion of the QRYBLKCTL parameter must specify the hexadecimal value of X'2417', the code point for the limited block query protocol (LMTBLKPRC). If the QRYBLKCTL parameter is omitted from the OPNQRY command, the IMS target server still uses the limited block query protocol. The code point for the QRYBLKCTL parameter is X'2132'.

QRYBLKSZ

A required parameter that specifies the size of query blocks that is ideal for the source application program. Query blocks are used by the target server to return answer set data. The target server can override this parameter as needed. The query block size is specified as a 4-byte unsigned binary

number. The minimum size for a query block is 0.5 KB. The maximum size is 10 MB. The code point for the QRYBLKSIZ parameter is X'2114'.

QRYROWSET

An optional parameter that specifies the number of rows of data to return in one network reply. The number of rows is specified as a 4-byte binary number. The minimum value for QRYROWSET is 0. The maximum value is 32 767. The code point for the QRYROWSET parameter is X'2156'.

The JDBC driver uses the following calculation to determine how many records can be placed into the buffer that ODBM returns from the IMS DB through the DRDA protocol. Here is a brief description of the variables used in the formula:

IOAREALENGTH: By leveraging the database metadata available in the catalog, the length for a given path (record) call can be determined. This is the sum of the maximum possible length for all segments in the path call. For example, if you specify **SELECT * FROM SEGMA, SEGMB** where SEGMB is a child of SEGMA, then the length of the path call (record) being returned is the length of SEGMA + the length of SEGMB. This length is referred to as **IOAREALENGTH**.

MAXRETURNDATA: ODBM has its own buffer that is used to collect data prior to sending it back to the user. This buffer is referred to as **MAXRETURNDATA** and is set to 1MB.

MAXROWDATA: For each record that gets returned, there is some additional overhead that uses the amount of usable buffer space for actual record data. The formula accounts for this additional overhead. 44 bytes will be used for the key feedback of each row as well as bytes used to describe the SSAList (equivalent of the WHERE clause from the SQL statement). The amount of space required per row of data is referred to as **MAXROWDATA**.

Formula used to calculate QRYROWSET:

```
IOAREALENGTH = LENGTH_OF_YOUR_PATHCALL
MAXRETURNDATA = 1MB
MAXROWDATA = 44 + (NUM_OF_SEGMENT_LEVELS_IN_SSALIST * 256) + IOAREALENGTH
QRYROWSET = MAXRETURNDATA / MAXROWDATA
```

Usage

If no errors occur during processing of the OPNQRY, the IMS target server returns the OPNQRYRM reply message to indicate that the query was successfully opened.

Command objects

The following command objects can be chained to the OPNQRY command:

INAIB (X'CC01')

A required command object that contains AIB data.

Note: The INAIB object in OPNQRY is not used in DRDA DDM command support for native SQL implementations.

DLIFUNC (X'CC05')

A required command object that specifies the action to take on the database. The data field of DLIFUNC is a database function that is specified as a character string. The valid values for DLIFUNC, when it is chained to the OPNQRY command, are: RETRIEVE, GHU, GU, GHN, GN, GNP, or GHNP.

Note: The DLIFUNC object in OPNQRY is not used in DRDA DDM command support for native SQL implementations.

RTRVFLD (X'CC04')

An optional scalar data object representing a field that the client wants to retrieve. Multiple RTRVFLD objects can be chained to the OPNQRY command. If an RTRVFLD object is not included on the OPNQRY command, all fields in the retrieved segment are returned.

Note: The RTRVFLD object in OPNQRY is not used in DRDA DDM command support for native SQL implementations.

SSALIST (X'CC06')

An optional chained object that lists the segment search arguments. If the SSALIST is not included on the OPNQRY command, the IMS target server ignores any RTRVFLD chained objects and the query results in an unqualified step through the IMS database.

Note: The SSALIST object in OPNQRY is not used in DRDA DDM command support for native SQL implementations.

Positive reply messages

In response to the OPNQRY command, the IMS target DDM server returns to the source server the following positive reply messages:

OPNQRYM (X'2205')

Open query reply message.

Reply data objects

The following reply data objects can be returned in response to the CNTQRY command:

QRYDSC (X'241A')

Query answer set description.

QRYDTA (X'241B')

Query answer set data.

Error reply messages

In response to the OPNQRY command, the IMS target DDM server can return to the source DDM server the following error reply messages:

Table 84. Possible reply messages for the OPNQRY command

Code point of reply message	Name of reply message	Meaning of reply message
X'121C'	CMDATHRM	Not authorized to command
X'1232'	AGNPRMRM	Permanent agent error
X'1233'	RSCLMTRM	Resource limits reached
X'1245'	PRCCNVRM	Conversational protocol error
X'124C'	SYNTAXRM	Data stream syntax error
X'1250'	CMDNSPRM	Command not supported
X'1251'	PRMNSPRM	Parameter not supported
X'1252'	VALNSPRM	Parameter value not supported
X'1253'	OBJNSPRM	Object not supported
X'1254'	CMDCHKRM	Command check reply message
X'125F'	TRGNSPRM	Target not supported
X'2204'	RDBNACRM	Database not accessed
X'220A'	DSCINVRM	Invalid description
X'220B'	ENDQRYRM	End of query
X'220D'	ABNUOWRM	Abnormal end of unit of work condition
X'220E'	DTAMCHRM	Data descriptor mismatch

Table 84. Possible reply messages for the OPNQRY command (continued)

Code point of reply message	Name of reply message	Meaning of reply message
X'220F'	QRYPOPRM	Query previously opened
X'2212'	OPNQFLRM	Open query failure
X'2218'	RDBUPDRM	Database update reply message

OPNQRY examples

OPNQRY only example:

[ibm][ims][drda][t4]	SEND BUFFER: OPNQRY	(ASCII)	(EBCDIC)
[ibm][ims][drda][t4]	0000 005BD00100030055 200C004421134BC9	.[.....U ..D!.K.	.\$}.I
[ibm][ims][drda][t4]	0010 D4E2F14040404040 4040404040404040	..@@@.....	MS1
[ibm][ims][drda][t4]	0020 D5E4D3D3C9C44040 4040404040404040	NULLID
[ibm][ims][drda][t4]	0030 4040E2E8E2E2D5F2 F0F0404040404040	@@.....	SYSSN200
[ibm][ims][drda][t4]	0040 404040405359534C 564C303100010008	@@@@SYSLVL01....	...<.<.....
[ibm][ims][drda][t4]	0050 211400000000005 215D01	!.....!].).

OPNQRY complete chained request example for SQL SELECT:

[ibm][ims][drda][t4]	SEND BUFFER: EXCSQLSET	(ASCII)	(EBCDIC)
[ibm][ims][drda][t4]	0000 0 1 2 3 4 5 6 7 8 9 A B C D E F	0123456789ABCDEF	0123456789ABCDEF
[ibm][ims][drda][t4]	0010 D4E2F14040404040 4040404040404040	.N.Q...H ..D!.K.	..+}.I
[ibm][ims][drda][t4]	0020 D5E4D3D3C9C44040 4040404040404040	..@@@.....	MS1
[ibm][ims][drda][t4]	0030 4040E2E8E2E2D5F2 F0F0404040404040	NULLID
[ibm][ims][drda][t4]	0040 404040405359534C 564C30310041	@@.....	SYSSN200
[ibm][ims][drda][t4]		@@@@SYSLVL01.A	...<.<....
[ibm][ims][drda][t4]	SEND BUFFER: SQLSTT	(ASCII)	(EBCDIC)
[ibm][ims][drda][t4]	0000 0031D0430001002B 2414002353455420	.1.C...+\$..#SET	..}.I
[ibm][ims][drda][t4]	0010 434C49454E542057 524B53544E4E414D	CLIENT WRKSTNAM	<..+.....++.(
[ibm][ims][drda][t4]	0020 452027392E36352E 3137342E32352700	E '9.65.174.25'.
[ibm][ims][drda][t4]	0030 00	.	.
[ibm][ims][drda][t4]	SEND BUFFER: PRPSQLSTT	(ASCII)	(EBCDIC)
[ibm][ims][drda][t4]	0000 0058D05100020052 200D004421134BC9	.X.Q...R ..D!.K.	..}.I
[ibm][ims][drda][t4]	0010 D4E2F14040404040 4040404040404040	..@@@.....	MS1
[ibm][ims][drda][t4]	0020 D5E4D3D3C9C44040 4040404040404040	NULLID
[ibm][ims][drda][t4]	0030 4040E2E8E2E2D5F2 F0F0404040404040	@@.....	SYSSN200
[ibm][ims][drda][t4]	0040 404040405359534C 564C303100010005	@@@@SYSLVL01....	...<.<.....
[ibm][ims][drda][t4]	0050 2116F10005214604	!.....!F.	..1.....
[ibm][ims][drda][t4]	SEND BUFFER: SQLATTR	(ASCII)	(EBCDIC)
[ibm][ims][drda][t4]	0000 001CD05300020016 2450000E464F5220	..S...\$P..FOR	..}.&... ..
[ibm][ims][drda][t4]	0010 52454144204F4E4C 59200000	READ ONLY +<....
[ibm][ims][drda][t4]	SEND BUFFER: SQLSTT	(ASCII)	(EBCDIC)
[ibm][ims][drda][t4]	0000 0029D04300020023 2414001B53656C65	.)C...#\$...Sele	..}.%.
[ibm][ims][drda][t4]	0010 6374202A2066726F 6D20504844414D56	ct * from PHDAMV?_&...(.
[ibm][ims][drda][t4]	0020 41522E7761726400 00	AR.ward../....
[ibm][ims][drda][t4]	SEND BUFFER: OPNQRY	(ASCII)	(EBCDIC)
[ibm][ims][drda][t4]	0000 005BD00100030055 200C004421134BC9	.[.....U ..D!.K.	.\$}.I
[ibm][ims][drda][t4]	0010 D4E2F14040404040 4040404040404040	..@@@.....	MS1
[ibm][ims][drda][t4]	0020 D5E4D3D3C9C44040 4040404040404040	NULLID
[ibm][ims][drda][t4]	0030 4040E2E8E2E2D5F2 F0F0404040404040	@@.....	SYSSN200
[ibm][ims][drda][t4]	0040 404040405359534C 564C303100010008	@@@@SYSLVL01....	...<.<.....
[ibm][ims][drda][t4]	0050 211400000000005 215D01	!.....!].).

Related reference

[“OPNQFLRM reply message \(X'2212'\)” on page 320](#)

The distributed data management (DDM) architecture OPNQFLRM (open query failure) reply message indicates that the OPNQRY command failed to open the query.

[“DLIFUNC command object \(X'CC05'\)” on page 273](#)

Use the distributed data management (DDM) architecture DLIFUNC (DL/I function) command object to specify the DL/I function that is being called.

[“INAIB command object \(X'CC01'\)” on page 284](#)

Use the distributed data management (DDM) architecture INAIB (input AIB) command object to contain the AIB data to send from the source to the target server.

[“RTRVFLD command object \(X'CC04'\)” on page 294](#)

Use the distributed data management (DDM) architecture RTRVFLD command object to specify the field that the client wants to retrieve data from.

[“SSALIST command object \(X'CC06'\)” on page 307](#)

Use the distributed data management (DDM) architecture SSALIST command object to contain the list of segment search argument (SSA) objects to qualify the DL/I call.

[“OPNQRYRM reply message \(X'2205'\)” on page 321](#)

The distributed data management (DDM) architecture OPNQRYRM (open query) reply message indicates that the open query (OPNQRY) command or execute SQL statement (EXCSQLSTT) command completed normally, and that a query process has been initiated.

[“QRYPOPRM reply message \(X'220F'\)” on page 324](#)

The distributed data management (DDM) architecture QRYPOPRM (query previously opened) reply message is returned when a command is issued for a query that is already open.

PRPSQLSTT command (X'200D')

The distributed data management (DDM) architecture Prepare SQL Statement command (PRPSQLSTT) dynamically binds a SQL statement to a section in an existing database (RDB) package.

Format

➤ DSSHDR — LL — CP — SQLSTTGRP ➤

Parameters

DSSHDR

The 6-byte header field containing information about the DSS.

LL

A 2-byte field that has the length of the PRPSQLSTT command.

CP(X'200D')

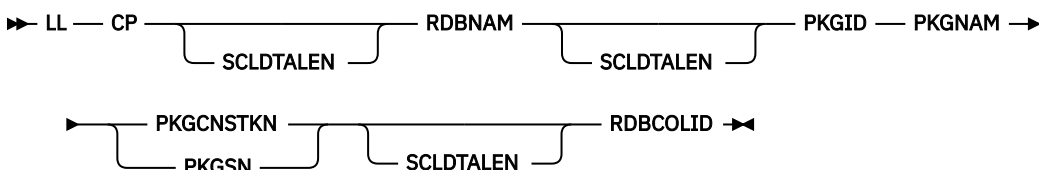
The 2-byte codepoint of the PRPSQLSTT command.

PKGNAMCSN(X'2113')

Specifies the fully qualified package name, consistency token, and section number within the package that is used to execute the SQL. The PKGNAMCSN can have one of the following formats, depending on the length of the RDBNAM, RDBCOLID, and PKGID contained therein:

- RDBNAM, RDBCOLID, and PKGID each have a length of 18. This format of the PKGNAMCSN is identical to the sole format used before DDM Level 7, where the length is fixed at 68. The use of the SCLDTALEN is disallowed with this format.
- At least one of RDBNAM, RDBCOLID, or PKGID has a length > 18. This format of the PKGNAMCSN requires the SCLDTALEN precedes each of the RDBNAM, RDBCOLID, and PKGID. With this format, the PKGNAMCSN has a minimum length of 75 and a maximum length of 785.

Format:



Parameters:

RDBNAM

An 18- to 255-byte character field that represents the relational database name.

PKGID

An 18- to 255-byte character field that represents the relational database package identifier.

PKGNAME

An 18- to 255-byte character field that specifies the fully qualified name of a relational database package.

PKGCSN

An 8-byte character field that verifies that the requester's application and the relational database package are synchronized. Mutually exclusive with PKGSN.

PKGSN

A 2-byte short field that represents the Section Number. Mutually exclusive with PKGCNSTKN.

SCLDTALEN

Specifies the length of the instance variable that immediately follows:

- RDB collection identifier (RDBCOLID)
- Relational database name (RDBNAM)
- RDB package identifier (PKGID)

This token is allowed only when the length of one or more of the parameters listed is greater than 18 bytes.

Note: If the length of any one of RDBNAM, RDBCOLID, or PKGID exceeds 18 bytes, the SCLDTALEN is mandatory and must precede each of the three parameters RDBNAM, RDBCOLID, and PKGID. Otherwise, the SCLDTALEN is disallowed.

RDBCOLID

An 18- to 255-byte character field that identifies a unique collection of objects that are contained in a relational database. It is used for user-defined grouping.

RTNSQLDA(X'2116')

Return SQL Descriptor Area controls whether to return an SQL descriptor area that applies to the SQL statement this command identifies. The target SQLAM obtains the SQL descriptor area by performing an SQL DESCRIBE function on the statement after the statement has been prepared.

▶▶ LL — CP — VALUE ◀◀

Parameters:**VALUE**

TRUE (X'F1') – Indicates an SQLIMSDA is returned.

FALSE (X'F0') – Indicates an SQLIMSDA is not returned.

Note: IMS will always send a 0x'01' from the Universal Driver.

TYPSQLDA(X'2146')

Type of SQL Descriptor Area.

▶▶ LL — CP — TYPE ◀◀

Parameters:**TYPE**

A single-byte signed number that specifies the type of SQLIMSDA to return for the command.

0

Standard output SQLIMSDA. This type is supported for ODBM.

1

Standard input SQLIMSDA. This type is supported for ODBM.

- 2 Light output SQLIMSDA
- 3 Light input SQLIMSDA
- 4 Extended output SQLIMSDA
- 5 Extended input SQLIMSDA

MONITOR(X'1900')

➤ LL — CP — FLAGS ➤

FLAGS

A 4-byte flag value.

PRPSQLSTT examples

The following example shows PRPSQLSTT that is part of the request to an OPNQRY call.

	SEND BUFFER: PRPSQLSTT	(ASCII)	(EBCDIC)
[ibm][ims][drda][t4] 0000	0058D05100020052 200D004421134BC9	.X.Q...R ..D!.K.	..}.....I
[ibm][ims][drda][t4] 0010	D4E2F14040404040 4040404040404040	...@@@@@@@@@@@@	MS1
[ibm][ims][drda][t4] 0020	D5E4D3D3C9C44040 4040404040404040@@@@@@@@	NULLID
[ibm][ims][drda][t4] 0030	4040E2E8E2E2D5F2 F0F0404040404040	@@.....@@@@@	SYSSN200
[ibm][ims][drda][t4] 0040	404040405359534C 564C303100010005	@@@SYSLVL01....	...<<.....
[ibm][ims][drda][t4] 0050	2116F10005214604	!....!F.	..1.....

RLSE command (X'C802')

Use the distributed data management (DDM) architecture RLSE command to release any database locks that are held by the application.

Format

➤ DSSHDR — LL — CP — PCBNAME ➤

Parameters

DSSHDR

The 6-byte header that contains information about the data stream structure (DSS).

LL

The length specified as a 2-byte binary integer. This length includes LL and CP.

CP

X'C802', the 2-byte codepoint of the RLSE command.

PCBNAME

A required parameter that specifies the PCB name that uniquely identifies the query made by a DL/I call. The PCB name is specified as a character string. The value is initially sent with the original OPNQRY command. The same value must subsequently be sent in commands such as CNTQRY, CLSQRY, and RLSE for proper correlation with the original OPNQRY call. The codepoint for the PCBNAME parameter is X'C907'.

Chained command objects

No command objects are chained to the RLSE command.

Positive reply messages

In response to the RLSE command, the IMS target DDM server returns to the source server the following positive reply message:

RLSERM (X'CA03')

The Release Locks Reply Message indicates to the requester that an RLSE command has completed normally.

Chained reply data objects

No reply data objects are returned in response to the RLSE command.

Error reply messages

In response to the RLSE command, the IMS target DDM server can return to the source DDM server the following error reply messages:

Table 85. Possible error reply messages for the RLSE command

Codepoint of reply message	Name of reply message	Meaning of reply message
X'121C'	CMDATHRM	Not authorized to command
X'1232'	AGNPRMRM	Permanent agent error
X'1233'	RSCLMTRM	Resource limits reached
X'124C'	SYNTAXRM	Data stream syntax error
X'1250'	CMDNSPRM	Command not supported
X'1251'	PRMNSPRM	Parameter not supported
X'1252'	VALNSPRM	Parameter value not supported
X'1254'	CMDCHKRM	Command check reply message
X'125F'	TRGNSPRM	Target not supported

Related reference

“RLSERM reply message (X'CA03')” on page 332

The distributed data management (DDM) architecture RLSE (release locks) reply message indicates to the requester that an RLSE command has completed normally.

RTRVFLD command object (X'CC04')

Use the distributed data management (DDM) architecture RTRVFLD command object to specify the field that the client wants to retrieve data from.

Format

►► DSSHDR — LL — CP — RECOFF — FLDLEN ◄◄

Parameters

DSSHDR

The 6-byte header that contains information about the data stream structure (DSS).

LL

The length specified as a 2-byte binary integer. This length includes LL and CP.

CP

X'CC04', the 2-byte codepoint of the RTRVFLD command object.

RECOFF

A 4-byte signed integer that contains the offset of the field within the hierarchic path I/O area that is to be returned from the DL/I call.

FLDLEN

A 4-byte signed integer that contains the length of the field.

Related reference

[“OPNQRY command \(X'200C’\)” on page 286](#)

The distributed data management (DDM) architecture OPNQRY command opens a query to a database for a read request.

RTRVFLDREL command object (X'CC0B')

Use the distributed data management (DDM) architecture FLDENTRYREL (relative retrieve field) command object to specify which field the client wants to retrieve data from.

Restriction: The RTRVFLDREL command object is supported only with an ODBM DDM level of 1, 2, 3 or 1, 3.

Format

►► DSSHDR — LL — CP — SEGMOFF — FLDLEN — SEGMID ◄◄

Parameters**DSSHDR**

The 6-byte header that contains information about the data stream structure (DSS).

LL

The length specified as a 2-byte binary integer. This length includes LL and CP.

CP

X'CC0B', the 2-byte codepoint of the RTRVFLDREL command object.

SEGMOFF

A required, 4-byte, signed integer that specifies the relative offset of the target field from the start of the parent segment.

SEGMID

A required, 1-byte, signed integer that specifies which segment in the SEGMLIST the field is referenced from. This value is relative to 1 rather than 0.

FLDLEN

The length of the target field.

SECCHK command (X'106E')

The distributed data management (DDM) architecture SECCHK command passes the user information from the source server to the target security manager of the IMS target server to authenticate the user with RACF or another security product.

When security checking is active for the IMS target server, the SECCHK command must be preceded by the ACCSEC command.

Format

►► DSSHDR — LL — CP — PASSWORD — SECMEC — USRID ◄◄

Parameters

DSSHDR

The 6-byte header that contains information about the data stream structure (DSS).

LL

The length specified as a 2-byte binary integer. This length includes LL and CP.

CP

X'106E', the 2-byte codepoint of the SECCHK command.

SECMEC

A required parameter that specifies the security mechanism agreed upon by the source server and the target server. For IMS, specify USRIDPWD.

The security mechanism is negotiated between the source server and the target server by using the ACCSEC command and the ACCSECRD reply object.

USRID

A required, variable-length parameter that specifies the user ID of the source application program as a character string. The length can be from 1 to 255 characters.

PASSWORD

A required, variable-length parameter that specifies the password of the source application program as a character string. The length can be from 1 to 255 characters.

If a RACF PassTicket is used to authenticate user access from an IMS Connect client to IMS DB, this parameter specifies the PassTicket.

Usage

IMS uses a user ID and password to check security; therefore the value of the SECMEC parameter specifies the DDM USRIDPWD security mechanism.

If no errors occur during the processing of the SECCHK command, the IMS target server returns the SECCHKRM reply message to indicate the acceptability of the security information.

The SECCHK command must be preceded by the ACCSEC command.

Chained command objects

No command objects can be chained to the SECCHK command.

Positive reply messages

In response to the SECCHK command, the IMS target DDM server returns to the source server the following positive reply message:

SECCHKRM (X'1219')

Security check reply message.

Error reply messages

In response to the SECCHK command, the IMS target DDM server can return to the source DDM server the following error reply messages:

Table 86. Possible error reply messages for the SECCHK command

Codepoint of reply message	Name of reply message	Meaning of reply message
X'1218'	MGRDEPRM	Manager dependency error
X'121C'	CMDATHRM	Not authorized to command
X'1232'	AGNPRMRM	Permanent agent error

Table 86. Possible error reply messages for the SECCHK command (continued)

Codepoint of reply message	Name of reply message	Meaning of reply message
X'1233'	RSCLMTRM	Resource limits reached
X'123C'	INVRQSRM	Invalid request
X'1245'	PRCCNVRM	Conversational protocol error
X'124C'	SYNTAXRM	Data stream syntax error
X'1250'	CMDNSPRM	Command not supported
X'1251'	PRMNSPRM	Parameter not supported
X'1252'	VALNSPRM	Parameter value not supported
X'1253'	OBJNSPRM	Object not supported
X'1254'	CMDCHKRM	Command check reply message
X'125F'	TRGNSPRM	Target not supported

SEGMLIST command object (X'CC0A')

Use the distributed data management (DDM) architecture SEGMLIST (Segment List) command object to specify the minimum and maximum length of each segment being retrieved or updated.

Restriction: The SEGMLIST command object is supported only with an ODBM DDM level of 1, 3 or 1, 2, 3.

Format



Parameters

DSSHDR

The 6-byte header that contains information about the data stream structure (DSS).

LL

The length specified as a 2-byte binary integer. This length includes LL and CP.

CP

X'CC0A', the 2-byte codepoint of the SEGMLIST command object.

COUNT

A 1-byte, signed value that counts the number of segments in a record that is being retrieved or updated. The total number of segments in a record is limited to 15. The value of the COUNT parameter corresponds to the number of instances of the MINMAX parameter included in the command object. This value is required.

MINMAX

An 8-byte field that is divided into two 4-byte signed integers. The first integer is the minimum number of bytes in a segment and the second integer is the maximum number of bytes. If these integers are equal, the segment is fixed length.

SQLATTR command (X'2450')

The distributed data management (DDM) architecture SQL Statement Attributes command (SQLATTR) specifies the SQL statement attributes being prepared.

Format

►► DSSHDR — LL — CP — SQLSTTGRP ◄◄

Parameters

DSSHDR

The six byte header field containing information about the DSS.

LL

A two byte field that has the length of the SQLATTR command.

CP(X'2450')

The 2-byte codepoint of the SQLATTR command.

SQLSTTGRP

SQL Statement Group Description.

Format:

►► SQLSTATEMENT_m — SQLSTATEMENT_s ◄◄

Parameters:

SQLSTATEMENT_m

A variable length string containing the SQL statement.

SQLSTATEMENT_s

A variable length string containing the SQL statement.

SQLATTR examples

The following example shows SQLATTR that is part of the request to an OPNQRY call.

```
[ibm][ims][drda][t4] SEND BUFFER: SQLATTR (ASCII) (EBCDIC)
[ibm][ims][drda][t4] 0000 001CD05300020016 2450000E464F5220 ...S...$P..FOR ..}.....&...|..
[ibm][ims][drda][t4] 0010 52454144204F4E4C 59200000 READ ONLY .. .....|+<.....
```

SQLCARD command (X'2408')

The distributed data management (DDM) architecture SQL Descriptor Area Row Description with SQL Communications Area command (SQLCARD) provides metadata information about the columns being retrieved along with the communications area.

Format

►► DSSHDR — LL — CP — SQLCAGRP ◄◄

Parameters

DSSHDR

The 6-byte header field containing information about the DSS.

LL

A 2-byte field that has the length of the SQLCARD command.

CP(X'2408')

The 2-byte code point of the SQLCARD command.

SQLCAGRP

SQL Communications Area Group Description.

Format:

►► FLAG — SQLCODE — SQLSTATE — SQLERRPROC — SQLCAXGRP — SQLDIAGGRP ◄◄

Parameters:**FLAG**

A 1-byte field that determines if the value for the SQLCAGRP is null. A null indicator is denoted with the value X'FF'.

SQLCODE

A 4-byte integer field that contains the return code that is sent by the database manager after completion of each SQL statement.

SQLSTATE

A 5-byte character field that contains the outcome of the most recently executed SQL statement.

SQLERRPROC

An 8-byte character field that contains the name of the CSECT that detected the error reported by the SQLIMSCODE.

SQLCAXGRP

SQL Communications Area Exceptions Group Description.

Format:

►► FLAG — SQLERRD — SQLWARN — SQLRDBNAME — SQLERRMSG_m — SQLERRMSG_s ◄◄

Parameters:**FLAG**

A 1-byte field that determines if the value for the SQLCAXGRP is null. A null indicator is denoted with the value X'FF'.

SQLERRD

Six 1-byte integer fields whose values are used to diagnose error conditions

SQLWARN

Eleven 1-byte character fields that represents SQLIMSWARN0 to SQLIMSWARNA.

SQLRDBNAME

A variable character string that shows the name of the remote database.

SQLERRMSG_m

A variable character string that contains one or more tokens, separated by X'FF', that are substituted for variables in the descriptions of error conditions. It may contain truncated tokens. A message length of 70 bytes indicates a possible truncation.

SQLERRMSG_s

A variable character string that contains one or more tokens, separated by X'FF', that are substituted for variables in the descriptions of error conditions. It may contain truncated tokens. A message length of 70 bytes indicates a possible truncation.

SQLDIAGGRP

SQL Descriptor Optional Group Description

Format:

►► FLAG — SQLDIAGSTT — SQLDIAGCI — SQLDIAGCN ◄◄

Parameters:

FLAG

A 1-byte field that determines if the value for the SQLCAXGRP is null. A null indicator is denoted with the value X'FF'.

SQLDIAGSTT

SQL Diagnostics Statement Group Description.

SQLDIAGCI

SQL Diagnostics Condition Information Array.

SQLDIAGCN

SQL Diagnostics Connection Array.

SQLCARD examples

The following example shows SQLCARD that is part of the request to an OPNQRY call.

```
[ibm][ims][drda][t4] RECEIVE BUFFER: SQLCARD (ASCII) (EBCDIC)
[ibm][ims][drda][t4] 0000 0059D05300030053 2408006400000030 .Y.S...S$.d...0 ..}.
[ibm][ims][drda][t4] 0010 3230303053514C52 4930314600010004 2000SQLRI01F.... ..<.
[ibm][ims][drda][t4] 0020 8001000000000000 0000000000000000 .....
[ibm][ims][drda][t4] 0030 0000000000202020 2020202020202020 .....
[ibm][ims][drda][t4] 0040 001253414D504C45 2020202020202020 ..SAMPLE .....(&<.
[ibm][ims][drda][t4] 0050 2020202000000000 FF
```

SQLDARD command (X'2411')

The distributed data management (DDM) architecture SQL Descriptor Area Row Description with SQL Communications Area command (SQLDARD) provides metadata information about the columns being retrieved along with the communications area.

Format

► DSSHDR — LL — CP — SQLCARD — SQLDHGRP — SQLNUMGRP — SQLDAGRP ►

Parameters**DSSHDR**

The 6-byte header field containing information about the DSS.

LL

A 2-byte field that has the length of the SQLDARD command.

CP(X'2411')

The 2-byte codepoint of the SQLDARD command.

SQLCARD

SQL Communications Area Row Description

SQLDHGRP

SQL Descriptor Header Group Description (column metadata that applies to all fields in the result set).

Format:

►► FLAG — SQLD HOLD — SQLD RETURN — SQLD SCROLL — SQLD SENSITIVE — SQLD FCODE →

← SQLD KEYTYPE — SQLD RDBNAM — SQLD SCHEMA_m — SQLD SCHEMA_s ►

Parameters:**FLAG**

A 1-byte field that determines if the value for the SQLDHGRP is null. A null indicator is denoted with the value X'FF'.

SQLDHOLD

A 2-byte short field. This field can have a value of 0 or 1. A value of 1 indicates this statement is related to a cursor which is defined using the WITH HOLD clause. Otherwise, the value is 0.

SQLDRETURN

A 2-byte short field.

SQLDSCROLL

A 2-byte short field.

SQLDSENSITIVE

A 2-byte short field.

SQLDFCODE

A 2-byte short field.

SQLDKEYTYPE

A 2-byte short field.

SQLDRDBNAM

A variable character string that shows the name of the remote database.

SQLDSHEMA_m

A variable character string that shows the name of the schema.

SQLDSHEMA_s

A variable character string that shows the name of the schema.

SQLNUMBRP

SQL Number of Elements Group Descriptions.

Format:

►► Number of Columns ◄◄

Parameters:**Number of Columns**

A 2-byte short that represents the number of columns being returned by the query.

SQLDAGRP

SQL Data Area Group Description (column metadata specific to each column).

Format:

►► SQLPRECISION — SQLSCALE — SQLLENGTH — SQLTYPE — SQLCCSID — SQLDOPTGRP ◄◄

Parameters:**SQLPRECISION**

A 2-byte short field representing the precision for the column.

SQLSCALE

A 2-byte short field representing the scale for the column.

SQLLENGTH

An 8-byte field representing the length of the column in bytes.

SQLTYPE

A 2-byte short field representing the data type of the column.

SQLCCSID

A 2-byte short field representing the CCSID of the column.

SQLDOPTGRP

SQL Descriptor Optional Group Description

Format:

▶▶ FLAG — SQLUNNAMED — SQLNAME_m — SQLNAME_s — SQLLABEL_m — SQLLABEL_s →

◀— SQLCOMMENTS_m — SQLCOMMENTS_s — SQLUDTGRP — SQLDXGRP ▶◀

Parameters:

FLAG

A 1-byte field that determines if the value for the SQLDHGRP is null. A null indicator is denoted with the value X'FF'.

SQLUNNAMED

A 2-byte short field.

SQLNAME_m

A variable character string that shows the column name.

SQLNAME_s

A variable character string that shows the column name.

SQLLABEL_m

A variable character string

SQLLABEL_s

A variable character string

SQLCOMMENTS_m

A variable character string

SQLCOMMENTS_s

A variable character string

SQLUDTGRP:

SQL User-Defined Data Group Description

Format:

▶▶ FLAG — SQLUDTXTYPE — SQLUDTRDB — SQLUDTSHEMA_m — SQLUDTSHEMA_s →

◀— SQLUDTNAME_m — SQLUDTNAME_s ▶◀

Parameters:

FLAG

A 1-byte field that determines if the value for the SQLDHGRP is null. A null indicator is denoted with the value X'FF'.

SQLUDTXTYPE

A 4-byte integer field.

SQLUDTRDB

A variable character string.

SQLUDTSHEMA_m

A variable character string.

SQLUDTSHEMA_s

A variable character string.

SQLUDTNAME_m

A variable character string.

SQLUDTNAME_s

A variable character string.

SQLDXGRP

SQL Descriptor Extended Group Description.

Format:

►► FLAG — SQLXKEYMEM — SQLXUPDATEABLE — SQLXGENERATED — SQLXPARMODE →
 ► SQLXRDBNAM — SQLXCORNAME_m — SQLXCORNAME_s — SQLXBASENAME_m →
 ► SQLXBASENAME_s — SQLXSHEMA_m — SQLXSHEMA_s — SQLXNAME_m →
 ► SQLXNAME_s ►

Parameters:

FLAG

A 1-byte field that determines if the value for the SQLDHGRP is null. A null indicator is denoted with the value X'FF'.

SQLXKEYMEM

A 2-byte short field.

SQLXUPDATEABLE

A 2-byte short field.

SQLXGENERATED

A 2-byte short field.

SQLXPARMODE

A 2-byte short field.

SQLXRDBNAM

A variable character string that shows the name of the remote database.

SQLXCORNAME_m

A variable character string that shows the name of the table.

SQLXCORNAME_s

A variable character string that shows the name of the table.

SQLXBASENAME_m

A variable character string that shows the name of the table.

SQLXBASENAME_s

A variable character string that shows the name of the table.

SQLXSHEMA_m

A variable character string that shows the name of the schema.

SQLXSHEMA_s

A variable character string that shows the name of the schema.

SQLXNAME_m

A variable character string that shows the name of the column.

SQLXNAME_s

A variable character string that shows the name of the column.

SQLDARD examples

The following example shows SQLDARD that is part of the request to an OPNQRY call.

[ibm][ims][drda][t4]	RECEIVE BUFFER: SQLDARD	(ASCII)	(EBCDIC)
[ibm][ims][drda][t4] 0000	0185D0530002017F 2411000000000030	...S...\$......0	.e}....".....
[ibm][ims][drda][t4] 0010	3030303053514C30 3930373000000000	0000SQL09070....<.....
[ibm][ims][drda][t4] 0020	0000000000010000 0040010000000000@.....
[ibm][ims][drda][t4] 0030	000000000202020 2020202020202020
[ibm][ims][drda][t4] 0040	001253414D504C45 2020202020202020	..SAMPLE(&<.....
[ibm][ims][drda][t4] 0050	2020202000000000 FF00010000000000
[ibm][ims][drda][t4] 0060	0000550000000000 0000000003000000	..U.....
[ibm][ims][drda][t4] 0070	0000040000000000 0000F101000000001.....
[ibm][ims][drda][t4] 0080	000005454D504E4F 0000000000000000	..EMPNO.....(&+
[ibm][ims][drda][t4] 0090	0000FF0000000000 0000000000065341SA
[ibm][ims][drda][t4] 00A0	4D504C450006454D 504D444300000006	MPL..EMPMD....	(&<....(&(.....
[ibm][ims][drda][t4] 00B0	454D504D44430000 0008524943485452	EMPMD....RICHTR	.(&(.....

[ibm][ims][drda][t4]	00C0	414E00000005454D	504E4F0000000000	AN...EMPNO....	.+....(&+)....
[ibm][ims][drda][t4]	00D0	0004000000000000	00F10100000000001.....
[ibm][ims][drda][t4]	00E0	0004444550540000	0000000000000000	..DEPT.....	...&.....
[ibm][ims][drda][t4]	00F0	FF00000000000000	0000000653414D50SAMP(&
[ibm][ims][drda][t4]	0100	4C450006454D504D	444300000006454D	LE..EMPMDC...EM	<...(&(.....(
[ibm][ims][drda][t4]	0110	504D444300000008	524943485452414E	PMDC...RICHTRAN	&(.....+.....
[ibm][ims][drda][t4]	0120	0000000444455054	0000000000000400	...DEPT.....&.....
[ibm][ims][drda][t4]	0130	000000000000F101	0000000000000344D1.....
[ibm][ims][drda][t4]	0140	4956000000000000	0000000FF0000000	IV.....(&<.....
[ibm][ims][drda][t4]	0150	0000000000000006	53414D504C450006SAMPLE..(&<.....
[ibm][ims][drda][t4]	0160	454D504D44430000	0006454D504D4443	EMPMDC...EMPMDC	..(&(.....(&(.....
[ibm][ims][drda][t4]	0170	0000000852494348	5452414E00000003	...RICHTRAN....+.....
[ibm][ims][drda][t4]	0180	4449560000		DIV..

SQLDTA command (X'2412')

SQL Program Variable Data (SQLDTA) consists of input data to a SQL statement that a relational database (RDB) is running. It also includes a description of the data.

Format



Parameters

DSSHDR

The 6-byte header field that contains information about the DSS.

LL

A 2-byte field that contains the length of the SQLDTA command.

CP(X'2412')

The 2-byte code point of the SQLDTA command.

FDOEXT(X'147B')

A scalar object that contains extent data for each SDA that a Formatted Data Object Architecture descriptor (FDODSC) describes. There is an FDOEXT entry for each field definition in the SQLDTAGRP in the FDODSC. The FDOEXT specification that corresponds to a field definition in the FDODSC defines the number of times that field is repeated in the FDOTA object.

Format:

►► LL — CP — BYTSTRDR ◄◄

Parameters:

BYTSTRDR

A required byte-string data representation, whose length is an even number, such as X'01010101' or X'3D2B11'.

FDODSC(X'0010')

A string that is a DDM scalar whose value is a Formatted Data Object Content Architecture (FD:OCA) descriptor or a segment of an FD:OCA descriptor. An FDODSC consists of one or more FD:OCA triplets that describe the data fields that are contained in another scalar object.

Format:

►► LL — CP — BYTSTRDR ◄◄

Parameters:

BYTSTRDR

A required byte-string data representation, whose length is an even number, such as X'01010101' or X'3D2B11'.

FDODTA(X'147A')

A scalar object that contains data that a Formatted Data Object Architecture descriptor (FDODSC) describes. The FDODSC might be present with the Formatted Data Object Data (FDODTA), or it might be implicitly defined based on the context of the command in which the FDODTA is used.

Format:

►► LL — CP — BYTSTRDR ◄◄

Parameters:**BYTSTRDR**

A required byte-string data representation, whose length is an even number, such as X'01010101' or X'3D2B11'.

FDOOFF(X'147D')

A scalar object that contains offset data for each SDA that a Formatted Data Object Architecture descriptor (FDODSC) describes. There is an FDOOFF entry for each field definition in the SQLDTAGRP in the FDODSC. The FDOOFF specification corresponding to a field definition in the FDODSC defines the offset to the start of the data entry in the FDODTA. The offset value for the first data array is 0.

Format:

►► LL — CP — BYTSTRDR ◄◄

Parameters:**BYTSTRDR**

A required byte-string data representation, whose length is an even number, such as X'01010101' or X'3D2B11'.

Formatted Data Object Content Architecture (FD:OCA)

The Formatted Data Object Content Architecture (FD:OCA) is an architecture for describing, organizing, and manipulating a linear stream of data.

DDM uses FD:OCA primarily for the description of data for relational database (RDB) access. A complete description of FD:OCA, including how to build and interpret FD:OCA descriptors, is in the FD:OCA Reference.

The functions of FD:OCA are specified through an FD:OCA descriptor, which consists of data structures called triplets. Attribute triplets describe the representation and layout of data in a data stream. Generator triplets specify how the data is manipulated to produce an output data stream.

An FD:OCA-containing architecture, such as DDM, transmits data streams and FD:OCA descriptors between communicating systems and starts a presentation process as needed. The presentation process accepts both the data stream and the FD:OCA descriptor as input and produces a presentation stream as output, as shown in Figure 3-39. The FD:OCA-containing architecture processes any further presentation streams. For example, DDM can forward the presentation stream for storage to an RDB, or it can pass the presentation stream to an application requester.

An Overview of selected FD:OCA triplets

FD:OCA defines many more attribute and generator triplets than the current level of DDM architecture requires. The following is an overview of the triplets.

Scalar Data Arrays (SDA)

SDAs are the triplets that FD:OCA uses for describing data values that are either single items or linear or rectangular arrays of single items that have the same format. DDM uses SDAs primarily to associate data representation specifications with DDM and SQL data types.

Group Data Array (GDA)

GDAs are triplets that define a group of data items as a referable unit. The elements of a GDA point (by label) to SDAs, other GDAs, or to RLOs to describe the data items of the group. The GDA can override certain attributes of each data representation.

Row Layouts (RLO)

RLOs are triplets that describe:

- A row that contains fields of one or more types
- A table that contains rows of one or more types
- Multi-dimensional, mixed data structures

RLOs describe data streams that consist of multiple unrelated structures. DDM uses RLOs primarily to describe the answer data that the SQL statements return.

FD:OCA Descriptors

An FD:OCA descriptor consists of one or more triplets that are laid out consecutively in a byte stream. Triplets that are referenced by other triplets must precede the referencing triplets. Unreferenced triplets are ignored.

SQLDTA examples

The following example shows SQLDTA that is part of the request to an OPNQRY call.

[ibm][db2][jcc][t4]	SEND BUFFER: SQLDTA	(ASCII)	(EBCDIC)	
[ibm][db2][jcc][t4] 0000	002CD00300040026	2412001300100976	.,...&\$....v	..}......
[ibm][db2][jcc][t4] 0010	D003000403000406	71E4D00001000F14q.....	}......U}......
[ibm][db2][jcc][t4] 0020	7A00000000000200	00000005	z.....	:.....

SQLSTT command (X'2414')

The distributed data management (DDM) architecture SQL Statement Row Description (SQLSTT) command contains one SQL statement.

Format

➤ DSSHDR — LL — CP — SQLSTTGRP ➤

Parameters

DSSHDR

The 6-byte header field containing information about the DSS.

LL

A 2-byte field that has the length of the SQLSTT command.

CP(X'2414')

The 2-byte codepoint of the SQLSTT command.

SQLSTTGRP

SQL Statement Group Description.

Format:

➤ SQLSTATEMENT_m — SQLSTATEMENT_s ➤

Parameters:

SQLSTATEMENT_m

A variable length string containing the SQL statement.

SQLSTATEMENT_s

A variable length string containing the SQL statement.

SQLSTT examples

The following example shows SQLSTT that is part of the request to an OPNQRY call.

SQLSTT for Special Registry:

[ibm][ims][drda][t4]	SEND BUFFER: SQLSTT	(ASCII)	(EBCDIC)
[ibm][ims][drda][t4] 0000	0032D0430001002C 2414002453455420	.2.C...,\$..\$SET	..?.....
[ibm][ims][drda][t4] 0010	434C49454E542057 524B53544E4E414D	CLIENT WRKSTNNAM	.<..+.....++.(
[ibm][ims][drda][t4] 0020	452027392E36352E 3135302E32313827	E '9.65.150.218'
[ibm][ims][drda][t4] 0030	0000

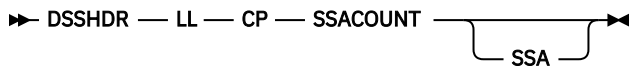
SQLSTT for Select Statement:

[ibm][ims][drda][t4]	SEND BUFFER: SQLSTT	(ASCII)	(EBCDIC)
[ibm][ims][drda][t4] 0000	0029D04300020023 2414001B53656C65	.)C...#\$...Sele	..?.....%.
[ibm][ims][drda][t4] 0010	6374202A2066726F 6D20504844414D56	ct * from PHDAMV?_&...(.
[ibm][ims][drda][t4] 0020	41522E7761726400 00	AR.ward../.....

SSALIST command object (X'CC06')

Use the distributed data management (DDM) architecture SSALIST command object to contain the list of segment search argument (SSA) objects to qualify the DL/I call.

Format



Parameters

DSSHDR

The 6-byte header that contains information about the data stream structure (DSS).

LL

The length specified as a 2-byte binary integer. This length includes LL and CP.

CP

X'CC06', the 2-byte codepoint of the SSALIST command object.

SSACOUNT

Required. The number of SSAs in the SSAList, which is specified as a 2-byte value. The valid range is 1 to 15.

SSA

An optional byte string that contains an SSA object to be used in a DL/I database call.

Related reference

[“EXCSQLIMM command \(X'200A’\)” on page 276](#)

The distributed data management (DDM) architecture EXCSQLIMM command executes an insert, update, or delete operation on an IMS database.

[“OPNQRY command \(X'200C’\)” on page 286](#)

The distributed data management (DDM) architecture OPNQRY command opens a query to a database for a read request.

[“SSA parameter \(X'C906’\)” on page 344](#)

The SSA parameter is an IMS product-unique distributed data management (DDM) architecture parameter that contains a segment search argument (SSA) that qualifies a DL/I call.

[“SSACOUNT parameter \(X'C905’\)” on page 345](#)

The SSACOUNT parameter is an IMS product-unique distributed data management (DDM) architecture parameter that specifies the number of segment search arguments (SSAs) included in the SSALIST command object.

DDM reply messages and reply objects

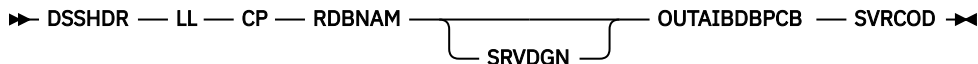
The IMS target server communicates with source server applications by using reply messages defined by the distributed data management (DDM) architecture. Some of the reply messages used by IMS contain parameters, values, or reply objects that are unique to IMS.

ABNUOWRM reply message (X'220D')

The distributed data management (DDM) architecture ABNUOWRM (abnormal end unit of work condition) reply message indicates that the current unit of work ended abnormally due to some action at the target server.

This reply message can be a result of a deadlock resolution, operator intervention, or other similar situations that cause the database to roll back the current unit of work.

Format



Parameters

DSSHDR

The 6-byte header that contains information about the data stream structure (DSS).

LL

The length specified as a 2-byte binary integer. This length includes LL and CP.

CP

X'220D', the 2-byte codepoint of the ABNUOWRM reply message.

RDBNAM

Codepoint X'2110'. The IMS PSB name that identifies the target database.

SRVDGN

An optional parameter (X'1153') that contains server diagnostic information. The data portion is a string with a maximum length of 32,767 bytes. The string can be any information the server sends to aid in problem diagnosis. For more information about SRVDGN, see *DRDA, Version 4, Volume 3: Distributed Data Management (DDM) Architecture*, which is available from The Open Group at www.opengroup.org.

OUTAIBDBPCB

A required parameter (X'CC02') that contains the AIB and DBPCB data sent from the target to the source.

SVRCOD

A required parameter (X'1149') that contains the severity code. SVRCOD consists of a 2-byte length field (LL), a 2-byte codepoint (CP), and the data. The data is a 2-byte binary value. The following list describes the possible 2-byte values:

0

INFO – Information only severity code

4

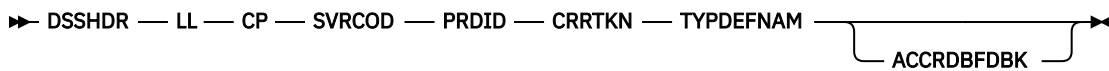
WARNING – Warning severity code

- 8** ERROR – Error severity code
- 16** SEVERE – Severe error severity code
- 32** ACCDMG – Access damage severity code
- 64** PRMDMG – Permanent damage severity code
- 128** SESDMG – Session damage severity code

ACCRDBRM reply message (X'2201')

The distributed data management (DDM) architecture ACCRDBRM (access to database completed) reply message specifies that the named database in the previous ACCRDB command is available to the client for processing.

Format



Parameters

DSSHDR

The 6-byte header that contains information about the data stream structure (DSS).

LL

The length specified as a 2-byte binary integer. This length includes LL and CP.

CP

X'2201', the 2-byte codepoint of the ACCRDBRM reply message.

ACCRDBFDBK

An optional parameter (X'CC0D') that contains the **psbfbkStream** and **aliasfbkStream** data sent from the target to the source.



Parameters

LL

The length of ACCRDBFDBK. This length includes the LL and CP.

CP

X'CC0D', the 2 byte codepoint of ACCRDBFDBK.

The **psbfbkStream** and **aliasfbkStream** parameters data structure is as follows:

Table 87. The **psbfdbkStream** and **aliasfdbkStream** parameters data structure

Offset	Length	Name	Description
0	1	PSB name null indicator	Binary integer <ul style="list-style-type: none"> X'00' - indicates that the rest of the data follows. X'FF' - indicates that there is no data and the total length is one byte.
1	1	Length	Binary integer <ul style="list-style-type: none"> Length of the data including the length itself.
2	8	PSB name	Character string Length of the PSB name.
1 or 10	1	Alias name null indicator	Binary integer <ul style="list-style-type: none"> X'00' - indicates that the rest of the data follows. X'FF' - indicates that there is no data and the total length is one byte.
2 or 11	1	Length	Binary integer <ul style="list-style-type: none"> Length of the data including the length itself.
3 or 12	4	Alias name	Character string Length of the alias name.

SVRCOD

A required parameter (X'1149') that contains the severity code. SVRCOD consists of a 2-byte length field (LL), a 2-byte codepoint (CP), and the data. The data is a 2-byte binary value. The following list describes the possible 2-byte values:

- 0** INFO – Information only severity code
- 4** WARNING – Warning severity code
- 8** ERROR – Error severity code
- 16** SEVERE – Severe error severity code

32

ACCDMG – Access damage severity code

64

PRMDMG – Permanent damage severity code

128

SESDMG – Session damage severity code

PRDID

Product Specific ID. The release level of the DDM server.

This is a required parameter for the ACCRDB command.

CRRTKN

A required correlation token that the source and the target servers use to correlate the work for an application.

TYPDEFNAM

A required parameter (X'002F') that specifies the name of the data type definition. TYPDEFNAM consists of a 2-byte specification of length (LL), a 2-byte codepoint (CP), and the VALUE. The VALUE is reserved and must be QTDSQL370, which is the general EBCDIC SQL type definition for machines that use EBCDIC strings, IEEE floating-point numbers, and non-byte-reversed floating-point and integer numbers.

Related reference

[“ACCRDB command \(X'2001'\)” on page 265](#)

The distributed data management (DDM) architecture ACCRDB command allocates a program specification block (PSB) on behalf of the source server. The PSB represents a connection between the DDM source server and an IMS database.

ACCSECRD reply object (X'14AC')

The distributed data management (DDM) architecture ACCSECRD (access security reply data) reply object contains the security information from the security manager of the target server. This information is returned in response to the ACCSEC command.

Format

►► DSSHDR — LL — CP — SECMEC ►►

Parameters

DSSHDR

The 6-byte header that contains information about the data stream structure (DSS).

LL

The length specified as a 2-byte binary integer. This length includes LL and CP.

CP

X'14AC', the 2-byte codepoint of the ACCSECRD reply object.

SECMEC

Specifies the security mechanism or mechanisms supported by the target server. If the target server supports the DDM security mechanism specified by the source DDM server on the ACCSEC command, the value of SECMEC in the ACCSECRD reply object is the same as the value of SECMEC in the ACCSEC command. If the target server does not support the security mechanism specified by the source server, SECMEC contains one or more values that identify the security mechanisms supported by the target server.

Usage

In a successful exchange, the IMS target server confirms the type of security checking requested by the source application program by returning the ACCSECRD reply object with the same value in SECMEC parameter as was submitted in the ACCSEC command.

If an error is detected in processing the ACCSEC command, a SECCHKCD is returned with the ACCSECRD. The SECCHKCD parameter has an implied severity code of ERROR. Before the SECCHK command can be sent to authenticate the connection, the ACCSEC command must be sent again to generate a new set of instance variables on the ACCSECRD.

Related reference

[“ACCSEC command \(X'106D'\)” on page 267](#)

The ACCSEC DDM command is used to determine the type of security checking that is performed when an application program on the source server connects to a database on the IMS target server.

AGNPRMRM reply message (X'1232')

The distributed data management (DDM) architecture AGNPRMRM (permanent agent error) reply message indicates that the requested command could not be completed because the target system detected a permanent error condition.

Format



Parameters

DSSHDR

The 6-byte header that contains information about the data stream structure (DSS).

LL

The length specified as a 2-byte binary integer. This length includes LL and CP.

CP

X'1232', the 2-byte codepoint of the AGNPRMRM reply message.

SVRCOD

A required parameter (X'1149') that contains the severity code. SVRCOD consists of a 2-byte length field (LL), a 2-byte codepoint (CP), and the data. The data is a 2-byte binary value. The following list describes the possible 2-byte values:

0

INFO – Information only severity code

4

WARNING – Warning severity code

8

ERROR – Error severity code

16

SEVERE – Severe error severity code

32

ACCDMG – Access damage severity code

64

PRMDMG – Permanent damage severity code

128

SESDMG – Session damage severity code

RDBNAM

Codepoint X'2110'. The IMS PSB name that identifies the target database.

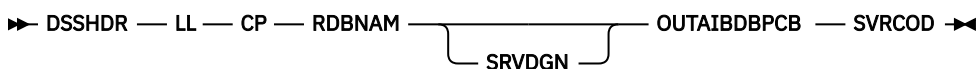
SRVDGN

An optional parameter (X'1153') that contains server diagnostic information. The data portion is a string with a maximum length of 32,767 bytes. The string can be any information the server sends to aid in problem diagnosis. For more information about SRVDGN, see *DRDA, Version 4, Volume 3: Distributed Data Management (DDM) Architecture*, which is available from The Open Group at www.opengroup.org.

CMDVLTRM reply message (X'221D')

The distributed data management (DDM) architecture CMDVLTRM (command violation) reply message indicates that a DDM command violated the processing capabilities of the conversation.

Format



Parameters

DSSHDR

The 6-byte header that contains information about the data stream structure (DSS).

LL

The length specified as a 2-byte binary integer. This length includes LL and CP.

CP

X'221D', the 2-byte codepoint of the CMDVLTRM reply message.

RDBNAM

Codepoint X'2110'. The IMS PSB name that identifies the target database.

SRVDGN

An optional parameter (X'1153') that contains server diagnostic information. The data portion is a string with a maximum length of 32,767 bytes. The string can be any information the server sends to aid in problem diagnosis. For more information about SRVDGN, see *DRDA, Version 4, Volume 3: Distributed Data Management (DDM) Architecture*, which is available from The Open Group at www.opengroup.org.

OUTAIBDBPCB

A required parameter (X'CC02') that contains the AIB and DBPCB data sent from the target to the source.

SVRCOD

A required parameter (X'1149') that contains the severity code. SVRCOD consists of a 2-byte length field (LL), a 2-byte codepoint (CP), and the data. The data is a 2-byte binary value. The following list describes the possible 2-byte values:

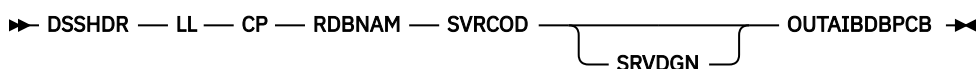
- 0** INFO – Information only severity code
- 4** WARNING – Warning severity code
- 8** ERROR – Error severity code

- 16**
SEVERE – Severe error severity code
- 32**
ACCDMG – Access damage severity code
- 64**
PRMDMG – Permanent damage severity code
- 128**
SESDMG – Session damage severity code

DEALLOCDBRM reply message (X'CA01')

The distributed data management (DDM) architecture DEALLOCDBRM (deallocate database completed) reply message indicates that the named PSB is deallocated.

Format



Parameters

DSSHDR

The 6-byte header that contains information about the data stream structure (DSS).

LL

The length specified as a 2-byte binary integer. This length includes LL and CP.

CP

X'CA01', the 2-byte codepoint of the DEALLOCDBRM reply message.

RDBNAM

Codepoint X'2110'. The IMS PSB name that identifies the target database.

SVRCOD

A required parameter (X'1149') that contains the severity code. SVRCOD consists of a 2-byte length field (LL), a 2-byte codepoint (CP), and the data. The data is a 2-byte binary value. The following list describes the possible 2-byte values:

- 0**
INFO – Information only severity code
- 4**
WARNING – Warning severity code
- 8**
ERROR – Error severity code
- 16**
SEVERE – Severe error severity code
- 32**
ACCDMG – Access damage severity code
- 64**
PRMDMG – Permanent damage severity code
- 128**
SESDMG – Session damage severity code

CP

X'220C', the 2-byte codepoint of the ENDUOWRM reply message.

RDBNAM

Codepoint X'2110'. The IMS PSB name that identifies the target database.

UOWDSP

A required parameter (X'2115') that specifies the disposition of the last unit of work. If the disposition is committed, all updates in the unit of work are successfully applied. If the disposition is rolled back, all updates in the unit of work are removed.

For more information about UOWDSP, see *DRDA, Version 4, Volume 3: Distributed Data Management (DDM) Architecture*.

SRVDGN

An optional parameter (X'1153') that contains server diagnostic information. The data portion is a string with a maximum length of 32,767 bytes. The string can be any information the server sends to aid in problem diagnosis. For more information about SRVDGN, see *DRDA, Version 4, Volume 3: Distributed Data Management (DDM) Architecture*, which is available from The Open Group at www.opengroup.org.

OUTAIBDBPCB

A required parameter (X'CC02') that contains the AIB and DBPCB data sent from the target to the source.

SVRCOD

A required parameter (X'1149') that contains the severity code. SVRCOD consists of a 2-byte length field (LL), a 2-byte codepoint (CP), and the data. The data is a 2-byte binary value. The following list describes the possible 2-byte values:

0

INFO – Information only severity code

4

WARNING – Warning severity code

8

ERROR – Error severity code

16

SEVERE – Severe error severity code

32

ACCDMG – Access damage severity code

64

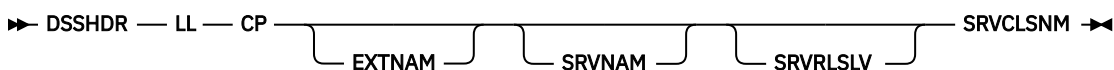
PRMDMG – Permanent damage severity code

128

SESDMG – Session damage severity code

EXCSATRD reply object (X'1443')

The EXCSATRD reply data object returns information about the IMS target DDM server, such as server name or the product release level, to the source DDM server.

Format

Parameters

DSSHDR

The 6-byte header that contains information about the data stream structure (DSS).

LL

The 2-byte specification of the length of the EXCSATRD reply object.

CP

X'1443', the 2-byte codepoint of the EXCSATRD reply object.

EXTNAM

Optional. The variable-length external name of the target DDM server. For the IMS target DDM server, the external name is the name of the job the IMS system creates or activates to run the DDM server. The EXTNAM parameter is used for tracing and problem determination. If the job name includes embedded blanks, the name must be enclosed in quotation marks within the data field. The maximum length of EXTNAM is 255 bytes. The codepoint is X'115E'.

SRVNAM

Optional. The variable-length name of the target DDM server specified as a character string. Returned for tracing and problem determination purposes. If the server name includes embedded blanks, the name must be enclosed in quotation marks. The maximum length is 255 bytes. The codepoint is X'116D'.

If the DDM server name includes embedded blanks, the name must be enclosed in quotation marks within the data field.

SRVRLSLV

Optional. The variable-length name of the product release level of the target DDM server. The SRVRLSLV parameter is used to ensure compatibility between the source server of the application program and the IMS target server. The maximum length of SRVRLSLV is 255 bytes. The codepoint is X'115A'.

SRVCLSNM

Specifies the DDM server class name, DFS, used by IMS. DFS is currently the only name supported by IMS. The SRVCLSNM enables the DRDA product-unique extension used by IMS.

The codepoint of SRVCLSNM is X'1147'. The variable-length DDM server class name is specified as a character string.

Usage

The distributed data management (DDM) architecture EXCSATRD reply object is returned by an IMS target server in response to an EXCSAT command. Unless errors occur, the EXCSATRD reply object is always the first reply command from the IMS target DDM server to the source DDM server.

If errors occur during the exchange of server attributes, the IMS target server responds to the EXCSAT command by issuing an error message instead of the EXCSATRD reply object.

Related reference

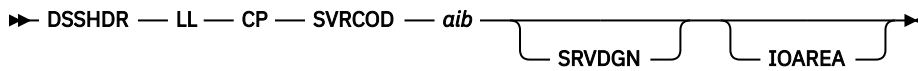
[“EXCSAT command \(X'1041’\)” on page 275](#)

The distributed data management (DDM) architecture EXCSAT command initiates the exchange of attributes between a source application server and an IMS target server to identify the server class names and levels of DDM support of each server. The EXCSAT command must always be the first command sent from a source server to the IMS target server.

IMSCALLRM reply message (X'CA04')

The distributed data management (DDM) architecture IMSCALLRM (IMS call) reply message returns the results of a DL/I call for IMS DB system services submitted by using the IMSCALL command.

Format



Parameters

DSSHDR

The 6-byte header that contains information about the data stream structure (DSS).

LL

The length specified as a 2-byte binary integer. This length includes LL and CP.

CP

X'CA04', the 2-byte codepoint of the IMSCALLRM reply message.

SVRCOD

A required parameter (X'1149') that contains the severity code. SVRCOD consists of a 2-byte length field (LL), a 2-byte codepoint (CP), and the data. The data is a 2-byte binary value. The following list describes the possible 2-byte values:

0

INFO – Information only severity code

4

WARNING – Warning severity code

8

ERROR – Error severity code

16

SEVERE – Severe error severity code

32

ACCDMG – Access damage severity code

64

PRMDMG – Permanent damage severity code

128

SESDMG – Session damage severity code

aib

A required parameter and placeholder for exactly one of the following two reply objects:

- OUTAIBDBPCB

A required parameter (X'CC02') that contains the AIB and DBPCB data sent from the target to the source.

- OUTAIBIOPCB

A parameter (X'CC08') that contains the AIB and IOPCB data sent from the target to the source.

SRVDGN

An optional parameter (X'1153') that contains server diagnostic information. The data portion is a string with a maximum length of 32,767 bytes. The string can be any information the server sends to aid in problem diagnosis. For more information about SRVDGN, see *DRDA, Version 4, Volume 3: Distributed Data Management (DDM) Architecture*, which is available from The Open Group at www.opengroup.org.

IOAREA

An optional parameter in byte array that specifies the input and output area.

Related reference

[“IMSCALL command \(X'C803’\)” on page 283](#)

Use the distributed data management (DDM) architecture IMSCALL command to issue DL/I calls for IMS DB system services.

OPNQFLRM reply message (X'2212')

The distributed data management (DDM) architecture OPNQFLRM (open query failure) reply message indicates that the OPNQRY command failed to open the query.

The reason for the failure is reported in the [OUTAIBDBPCB](#) parameter.

Format



Parameters

DSSHDR

The 6-byte header that contains information about the data stream structure (DSS).

LL

The length specified as a 2-byte binary integer. This length includes LL and CP.

CP

X'2212', the 2-byte codepoint of the OPNQFLRM reply message.

SVRCOD

A required parameter (X'1149') that contains the severity code. SVRCOD consists of a 2-byte length field (LL), a 2-byte codepoint (CP), and the data. The data is a 2-byte binary value. The following list describes the possible 2-byte values:

- 0** INFO – Information only severity code
- 4** WARNING – Warning severity code
- 8** ERROR – Error severity code
- 16** SEVERE – Severe error severity code
- 32** ACCDMG – Access damage severity code
- 64** PRMDMG – Permanent damage severity code
- 128** SESDMG – Session damage severity code

RDBNAM

Codepoint X'2110'. The IMS PSB name that identifies the target database.

OUTAIBDBPCB

A required parameter (X'CC02') that contains the AIB and DBPCB data sent from the target to the source.

OUTAIBDBPCB contains the reason for the failure.

SRVDGN

An optional parameter (X'1153') that contains server diagnostic information. The data portion is a string with a maximum length of 32,767 bytes. The string can be any information the server sends to aid in problem diagnosis. For more information about SRVDGN, see *DRDA, Version 4, Volume 3: Distributed Data Management (DDM) Architecture*, which is available from The Open Group at www.opengroup.org.

Related reference

“OPNQRY command (X'200C’)” on page 286

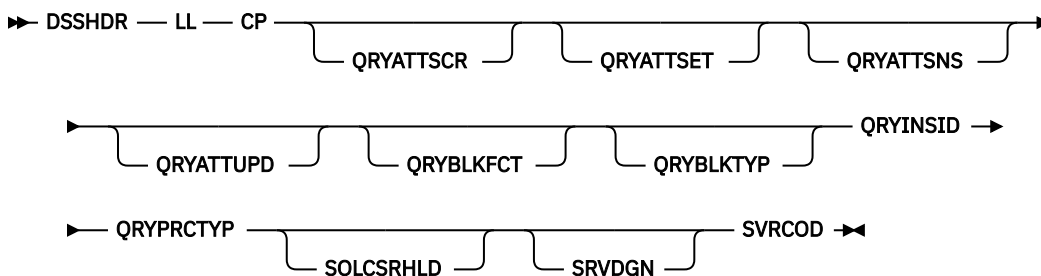
The distributed data management (DDM) architecture OPNQRY command opens a query to a database for a read request.

OPNQRYRM reply message (X'2205')

The distributed data management (DDM) architecture OPNQRYRM (open query) reply message indicates that the open query (OPNQRY) command or execute SQL statement (EXCSQLSTT) command completed normally, and that a query process has been initiated.

This reply message also indicates the type of query protocol and cursor that are used for the query.

Format



Parameters

DSSHDR

The 6-byte header that contains information about the data stream structure (DSS).

LL

The length specified as a 2-byte binary integer. This length includes LL and CP.

CP

X'2205', the 2-byte codepoint of the OPNQRYRM reply message.

QRYATTSCR

An optional parameter that specifies the query attribute for scrollability. The codepoint is X'2149'.

QRYATTSET

An optional parameter that indicates whether a cursor is enabled for the a single row or multiple rows to be returned. The codepoint is X'214A'.

QRYATTSNS

An optional parameter that specifies the sensitivity of an opened cursor to changes made to the underlying base table. The codepoint is X'2157'.

QRYATTUPD

An optional parameter that indicates the updatability of an opened cursor. The codepoint tis X'2150'.

QRYBLKFACT

An optional parameter that contains the value of the blocking factor, a limit that is imposed by the target server that dictates the number of rows that can be blocked at a time for a query. The codepoint is X'215F'.

QRYBLKTYP

An optional parameter that indicates the type of query blocks in which the answer set data will be returned. The codepoint is X'2133'.

QRYINSID

A required parameter that uniquely identifies the instance of a query. The codepoint is X'215B'.

This parameter is returned on the OPNQRYRM reply message by the target server when a query is opened. Any subsequent references to this query by the target server must include the QRYINSID value in order to identify the correct instance of the query.

QRYPRCTYP

A required String parameter that specifies the type of query protocol that is used. The codepoint is X'2102'.

SQLCSRHLD

An optional Boolean parameter that indicates whether the requester specified the hold cursor position option. The codepoint is X'211F'.

SRVDGN

An optional parameter (X'1153') that contains server diagnostic information. The data portion is a string with a maximum length of 32,767 bytes. The string can be any information the server sends to aid in problem diagnosis. For more information about SRVDGN, see *DRDA, Version 4, Volume 3: Distributed Data Management (DDM) Architecture*, which is available from The Open Group at www.opengroup.org.

SVRCOD

A required parameter (X'1149') that contains the severity code. SVRCOD consists of a 2-byte length field (LL), a 2-byte codepoint (CP), and the data. The data is a 2-byte binary value. The following list describes the possible 2-byte values:

- 0** INFO – Information only severity code
- 4** WARNING – Warning severity code
- 8** ERROR – Error severity code
- 16** SEVERE – Severe error severity code
- 32** ACCDMG – Access damage severity code
- 64** PRMDMG – Permanent damage severity code
- 128** SESDMG – Session damage severity code

For more information on these parameters, see *DRDA, Version 4, Volume 3: Distributed Data Management (DDM) Architecture*, by the Open Group.

Reply data objects

The following reply data objects can be chained to the OPNQRYRM message in response to the OPNQRY command:

QRYDSC (X'241A')

Query answer set description.

QRYDTA (X'241B')

Query answer set data.

Related reference

“OPNQRY command (X'200C’)” on page 286

The distributed data management (DDM) architecture OPNQRY command opens a query to a database for a read request.

QRYDSC reply object (X'241A')

The distributed data management (DDM) architecture QRYDSC (query answer set description) reply object defines the format of the data that is returned in a QRYDTA object.

Format

► DSSHDR — LL — CP — BYTSTRDR ◄

Parameters

DSSHDR

The 6-byte header that contains information about the data stream structure (DSS).

LL

The length specified as a 2-byte binary integer. This length includes LL and CP.

CP

X'241A', the 2-byte codepoint of the QRYDSC reply object.

BYTSTRDR

A required byte string data representation. This byte string contains the FD:OCA description of the data that the QRYDTA object sends.

Usage

The format for the data that the QRYDTA object returns never changes. The BYTSTRDR value for the ODBM is always as follows:

```
0676D0260000 0671E0D000010671 F0E00000
```

QRYDTA reply object (X'241B')

The distributed data management (DDM) architecture QRYDTA (query answer set data) reply object contains some or all of the answer set data that results from a query.

Format

► DSSHDR — LL — CP — *aibdbpcbStream* — *data* ◄
LL — CP — *XLXL*

Parameters

DSSHDR

The 6-byte header that contains information about the data stream structure (DSS).

LL

The length specified as a 2-byte binary integer. This length includes LL and CP.

CP

X'241B', the 2-byte codepoint of the QRYDTA reply object.

When the QRYDTA object exceeds 32767 bytes long, an extended total length field format is used to augment the normal two-byte object length. Setting the high-order bit of the x'241B' length field (LL) to 1 specifies the following:

- An extended total length field immediately follows x'241B' and precedes its data.
- The x'241B' length field (LL) does not include the length of the data. It includes only the length of the x'241B' (CP), length (LL), and extended total length (XLXL) fields.
- The value of the extended total length (XLXL) field specifies only the length of the object's data. It does not include its own length.
- The high-order bit of the DSSHDR LL field is set to 1 to indicate the QRYDTA object is greater than 32767 in length.

aibStream

An IMS-defined data structure.

When the Open Database Manager (ODBM) services a GU or GN call, it places the aibStream data stream followed by the dbpcbStream at the beginning of each row in the QRYDTA object. The requested row data follows immediately. The concatenation of the aibdbpcbStream and data fields comprises a single row in a query row set.

dbpcbStream

An IMS-defined data structure.

When the Open Database Manager (ODBM) services a GU or GN call, it places the aibStream data stream followed by the dbpcbStream at the beginning of each row in the QRYDTA object. The requested row data follows immediately. The concatenation of the aibdbpcbStream and data fields makes up a single row in a query row set.

data

The data that follows the aibStream and dbpcbStream data structures.

Usage

The contents of the QRYDTA reply object are described by the QRYDSC reply object. Because IMS sends all of the data for a given row as if it were a single column of type "Fixed Length Byte Stream," the QRYDSC information is the same for each query. Each row is made up of an aibdbpcbStream object followed by the data.

Related reference

["aibStream data structure" on page 338](#)

The distributed data management (DDM) architecture aibStream is a data structure that is contained in the OUTAIBDBPCB DDM object when the object is passed back in a reply message.

["dbpcbStream data structure" on page 339](#)

The distributed data management (DDM) architecture dbpcbStream is a data structure that is contained in the OUTAIBDBPCB reply object when the object is passed back in a reply message.

QRYPOPRM reply message (X'220F')

The distributed data management (DDM) architecture QRYPOPRM (query previously opened) reply message is returned when a command is issued for a query that is already open.

Format

► DSSHDR — LL — CP — PCBNAME — RDBNAM — SRVDGN — SVRCOD — ◄

Parameters

DSSHDR

The 6-byte header that contains information about the data stream structure (DSS).

LL

The length specified as a 2-byte binary integer. This length includes LL and CP.

CP

X'220F', the 2-byte codepoint of the QRYPOPRM reply message.

PCBNAME

A required parameter that specifies the PCB name that uniquely identifies the query made by a DL/I call. The PCB name is specified as a character string. The value is initially sent with the original OPNQRY command. The same value must subsequently be sent in commands such as CNTQRY, CLSQRY, and RLSE for proper correlation with the original OPNQRY call. The codepoint for the PCBNAME parameter is X'C907'.

RDBNAM

Codepoint X'2110'. The IMS PSB name that identifies the target database.

SRVDGN

An optional parameter (X'1153') that contains server diagnostic information. The data portion is a string with a maximum length of 32,767 bytes. The string can be any information the server sends to aid in problem diagnosis. For more information about SRVDGN, see *DRDA, Version 4, Volume 3: Distributed Data Management (DDM) Architecture*, which is available from The Open Group at www.opengroup.org.

SVRCOD

A required parameter (X'1149') that contains the severity code. SVRCOD consists of a 2-byte length field (LL), a 2-byte codepoint (CP), and the data. The data is a 2-byte binary value. The following list describes the possible 2-byte values:

0

INFO – Information only severity code

4

WARNING – Warning severity code

8

ERROR – Error severity code

16

SEVERE – Severe error severity code

32

ACCDMG – Access damage severity code

64

PRMDMG – Permanent damage severity code

128

SESDMG – Session damage severity code

Related reference

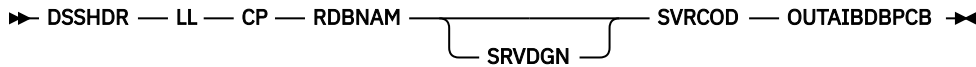
[“OPNQRY command \(X'200C’\)” on page 286](#)

The distributed data management (DDM) architecture OPNQRY command opens a query to a database for a read request.

RDBAFLRM reply message (X'221A')

The distributed data management (DDM) architecture RDBAFLRM (database access failed) reply message indicates that the database access failed.

Format



Parameters

DSSHDR

The 6-byte header that contains information about the data stream structure (DSS).

LL

The length specified as a 2-byte binary integer. This length includes LL and CP.

CP

X'221A', the 2-byte codepoint of the RDBAFLRM reply message.

RDBNAM

Codepoint X'2110'. The IMS PSB name that identifies the target database.

SRVDGN

An optional parameter (X'1153') that contains server diagnostic information. The data portion is a string with a maximum length of 32,767 bytes. The string can be any information the server sends to aid in problem diagnosis. For more information about SRVDGN, see *DRDA, Version 4, Volume 3: Distributed Data Management (DDM) Architecture*, which is available from The Open Group at www.opengroup.org.

SVRCOD

A required parameter (X'1149') that contains the severity code. SVRCOD consists of a 2-byte length field (LL), a 2-byte codepoint (CP), and the data. The data is a 2-byte binary value. The following list describes the possible 2-byte values:

0

INFO – Information only severity code

4

WARNING – Warning severity code

8

ERROR – Error severity code

16

SEVERE – Severe error severity code

32

ACCDMG – Access damage severity code

64

PRMDMG – Permanent damage severity code

128

SESDMG – Session damage severity code

OUTAIBDBPCB

A required parameter (X'CC02') that contains the AIB and DBPCB data sent from the target to the source.

OUTAIBDBPCB contains the reason for the failure.

Usage

The RDBAFLRM reply message is returned only when a RDBNAM value is provided and the connection to the database failed. When the RDBAFLRM reply message is returned, the target Structured Query Language Application Manager (SQLAM) instance is destroyed. For more information about the SQLAM instance, see *DRDA, Version 4, Volume 3: Distributed Data Management (DDM) Architecture* by the Open Group.

Related reference

[“ACCRDB command \(X'2001'\)” on page 265](#)

The distributed data management (DDM) architecture ACCRDB command allocates a program specification block (PSB) on behalf of the source server. The PSB represents a connection between the DDM source server and an IMS database.

[“RDBNAM parameter \(X'2110'\)” on page 344](#)

The distributed data management (DDM) architecture RDBNAM parameter identifies the target database for a given interaction.

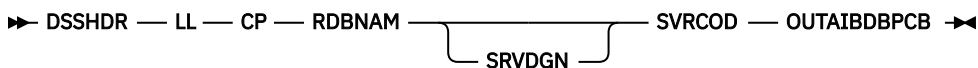
[“OUTAIBDBPCB parameter \(X'CC02'\)” on page 342](#)

The distributed data management (DDM) architecture OUTAIBDBPCB (output AIBDBPCB) parameter is sent from the target server to the source server and contains a concatenation of the aibStream and the dbpcbStream data structures.

RDBATHRM reply message (X'2203')

The distributed data management (DDM) architecture RDBATHRM (not authorized to database) reply message indicates that the user is not authorized to access the database.

Format



Parameters

DSSHDR

The 6-byte header that contains information about the data stream structure (DSS).

LL

The length specified as a 2-byte binary integer. This length includes LL and CP.

CP

X'2203', the 2-byte codepoint of the RDBATHRM reply message.

RDBNAM

Codepoint X'2110'. The IMS PSB name that identifies the target database.

SRVDGN

An optional parameter (X'1153') that contains server diagnostic information. The data portion is a string with a maximum length of 32,767 bytes. The string can be any information the server sends to aid in problem diagnosis. For more information about SRVDGN, see *DRDA, Version 4, Volume 3: Distributed Data Management (DDM) Architecture*, which is available from The Open Group at www.opengroup.org.

SVRCOD

A required parameter (X'1149') that contains the severity code. SVRCOD consists of a 2-byte length field (LL), a 2-byte codepoint (CP), and the data. The data is a 2-byte binary value. The following list describes the possible 2-byte values:

- 0**
INFO – Information only severity code
- 4**
WARNING – Warning severity code
- 8**
ERROR – Error severity code
- 16**
SEVERE – Severe error severity code
- 32**
ACCDMG – Access damage severity code
- 64**
PRMDMG – Permanent damage severity code
- 128**
SESDMG – Session damage severity code

OUTAIBDBPCB

A required parameter (X'CC02') that contains the AIB and DBPCB data sent from the target to the source.

OUTAIBDBPCB contains the reason for the failure.

Related reference

“ACCRDB command (X'2001')” on page 265

The distributed data management (DDM) architecture ACCRDB command allocates a program specification block (PSB) on behalf of the source server. The PSB represents a connection between the DDM source server and an IMS database.

RDBNACRM reply message (X'2204')

The distributed data management (DDM) architecture RDBNACRM (database not accessed) reply message indicates that the access database command (ACCRDB) was not issued prior to a command that requested the database services.

Format

►► DSSHDR — LL — CP — RDBNAM — SRVDGN — SVRCOD — OUTAIBDBPCB ◄◄

Parameters

DSSHDR

The 6-byte header that contains information about the data stream structure (DSS).

LL

The length specified as a 2-byte binary integer. This length includes LL and CP.

CP

X'2204', the 2-byte codepoint of the RDBNACRM reply message.

RDBNAM

Codepoint X'2110'. The IMS PSB name that identifies the target database.

SRVDGN

An optional parameter (X'1153') that contains server diagnostic information. The data portion is a string with a maximum length of 32,767 bytes. The string can be any information the server sends to aid in problem diagnosis. For more information about SRVDGN, see *DRDA, Version 4, Volume 3: Distributed Data Management (DDM) Architecture*, which is available from The Open Group at www.opengroup.org.

SVRCOD

A required parameter (X'1149') that contains the severity code. SVRCOD consists of a 2-byte length field (LL), a 2-byte codepoint (CP), and the data. The data is a 2-byte binary value. The following list describes the possible 2-byte values:

- 0**
INFO – Information only severity code
- 4**
WARNING – Warning severity code
- 8**
ERROR – Error severity code
- 16**
SEVERE – Severe error severity code
- 32**
ACCDMG – Access damage severity code
- 64**
PRMDMG – Permanent damage severity code
- 128**
SESDMG – Session damage severity code

OUTAIBDBPCB

A required parameter (X'CC02') that contains the AIB and DBPCB data sent from the target to the source.

OUTAIBDBPCB contains the reason for the failure.

Related reference

“ACCRDB command (X'2001')” on page 265

The distributed data management (DDM) architecture ACCRDB command allocates a program specification block (PSB) on behalf of the source server. The PSB represents a connection between the DDM source server and an IMS database.

RDBNFNRM reply message (X'2211')

The distributed data management (DDM) architecture RDBNFNRM (database not found) reply message indicates that the requested database was not found.

Format

►► DSSHDR — LL — CP — RDBNAM — SRVDGN — SVRCOD — OUTAIBDBPCB ►►

Parameters

DSSHDR

The 6-byte header that contains information about the data stream structure (DSS).

LL

The length specified as a 2-byte binary integer. This length includes LL and CP.

CP

X'2211', the 2-byte codepoint of the RDBNFNRM reply message.

RDBNAM

Codepoint X'2110'. The IMS PSB name that identifies the target database.

SRVDGN

An optional parameter (X'1153') that contains server diagnostic information. The data portion is a string with a maximum length of 32,767 bytes. The string can be any information the server sends to aid in problem diagnosis. For more information about SRVDGN, see *DRDA, Version 4, Volume 3: Distributed Data Management (DDM) Architecture*, which is available from The Open Group at www.opengroup.org.

SVRCOD

A required parameter (X'1149') that contains the severity code. SVRCOD consists of a 2-byte length field (LL), a 2-byte codepoint (CP), and the data. The data is a 2-byte binary value. The following list describes the possible 2-byte values:

0

INFO – Information only severity code

4

WARNING – Warning severity code

8

ERROR – Error severity code

16

SEVERE – Severe error severity code

32

ACCDMG – Access damage severity code

64

PRMDMG – Permanent damage severity code

128

SESDMG – Session damage severity code

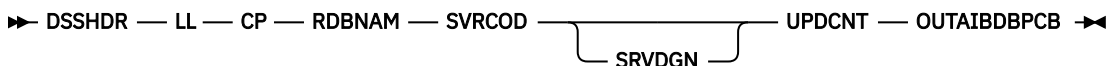
OUTAIBDBPCB

A required parameter (X'CC02') that contains the AIB and DBPCB data sent from the target to the source.

OUTAIBDBPCB contains the reason for the failure.

RDBUPDRM reply message (X'2218')

The distributed data management (DDM) architecture RDBUPDRM (database update) reply message indicates that the a DDM command resulted in an update at the target database.

Format**Parameters****DSSHDR**

The 6-byte header that contains information about the data stream structure (DSS).

LL

The length specified as a 2-byte binary integer. This length includes LL and CP.

CP

X'2218', the 2-byte codepoint of the RDBUPDRM reply message.

RDBNAM

Codepoint X'2110'. The IMS PSB name that identifies the target database.

SVRCOD

A required parameter (X'1149') that contains the severity code. SVRCOD consists of a 2-byte length field (LL), a 2-byte codepoint (CP), and the data. The data is a 2-byte binary value. The following list describes the possible 2-byte values:

0

INFO – Information only severity code

4

WARNING – Warning severity code

8

ERROR – Error severity code

16

SEVERE – Severe error severity code

32

ACCDMG – Access damage severity code

64

PRMDMG – Permanent damage severity code

128

SESDMG – Session damage severity code

UPDCNT

A required 4-byte integer parameter (X'C90A') that contains the number of rows affected by a batch or singleton INSERT, UPDATE, or DELETE.

SRVDGN

An optional parameter (X'1153') that contains server diagnostic information. The data portion is a string with a maximum length of 32,767 bytes. The string can be any information the server sends to aid in problem diagnosis. For more information about SRVDGN, see *DRDA, Version 4, Volume 3: Distributed Data Management (DDM) Architecture*, which is available from The Open Group at www.opengroup.org.

OUTAIBDBPCB

A required parameter (X'CC02') that contains the AIB and DBPCB data sent from the target to the source.

OUTAIBDBPCB contains the details.

Related reference

[“EXCSQLIMM command \(X'200A’\)” on page 276](#)

The distributed data management (DDM) architecture EXCSQLIMM command executes an insert, update, or delete operation on an IMS database.

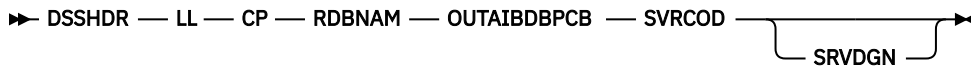
[“UPDCNT parameter \(X'C90A’\)” on page 345](#)

The UPDCNT parameter is an IMS product-unique distributed data management (DDM) architecture parameter that identifies the number of rows affected by an individual or batch INSERT, UPDATE, or DELETE action.

RLSERM reply message (X'CA03')

The distributed data management (DDM) architecture RLSERM (release locks) reply message indicates to the requester that an RLSE command has completed normally.

Format



Parameters

DSSHDR

The 6-byte header that contains information about the data stream structure (DSS).

LL

The length specified as a 2-byte binary integer. This length includes LL and CP.

CP

X'CA03', the 2-byte codepoint of the RLSERM reply message.

RDBNAM

Codepoint X'2110'. The IMS PSB name that identifies the target database.

OUTAIBDBPCB

A required parameter (X'CC02') that contains the AIB and DBPCB data sent from the target to the source.

SVRCOD

A required parameter (X'1149') that contains the severity code. SVRCOD consists of a 2-byte length field (LL), a 2-byte codepoint (CP), and the data. The data is a 2-byte binary value. The following list describes the possible 2-byte values:

0

INFO – Information only severity code

4

WARNING – Warning severity code

8

ERROR – Error severity code

16

SEVERE – Severe error severity code

32

ACCDMG – Access damage severity code

64

PRMDMG – Permanent damage severity code

128

SESDMG – Session damage severity code

SRVDGN

An optional parameter (X'1153') that contains server diagnostic information. The data portion is a string with a maximum length of 32,767 bytes. The string can be any information the server sends to aid in problem diagnosis. For more information about SRVDGN, see *DRDA, Version 4, Volume*

3: *Distributed Data Management (DDM) Architecture*, which is available from The Open Group at www.opengroup.org.

Related reference

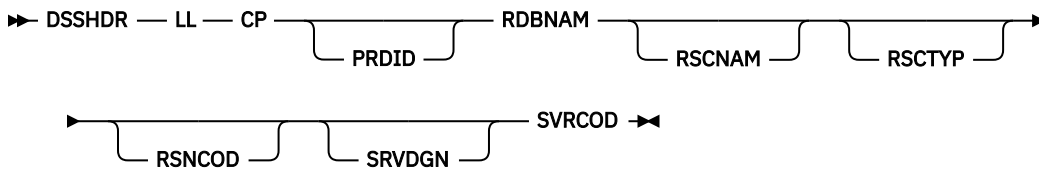
“RLSE command (X'C802')” on page 293

Use the distributed data management (DDM) architecture RLSE command to release any database locks that are held by the application.

RSCLMTRM reply message (X'1233')

The distributed data management (DDM) architecture RSCLMTRM (resource limits reached) reply message indicates that the requested command cannot be completed because of insufficient target server resources.

Format



Parameters

DSSHDR

The 6-byte header that contains information about the data stream structure (DSS).

LL

The length specified as a 2-byte binary integer. This length includes LL and CP.

CP

X'1233', the 2-byte codepoint of the RSCLMTRM reply message.

PRDID

An optional parameter that specifies the release level of the source DDM server. The codepoint for PRDID is X'112E'.

RDBNAM

Codepoint X'2110'. The IMS PSB name that identifies the target database.

RSCNAM

An optional String parameter that specifies the name of the resource that reached its limit and sends this RSCLMTRM reply message in response. The codepoint for RSCNAM is X'112D'.

RSCTYP

An optional String parameter that specifies the type of the resource that reached its limit and sends this RSCLMTRM reply message. The codepoint for RSCTYP is X'111F'.

RSNCOD

An optional String parameter that specifies the reason code. The codepoint for RSNCOD is X'1127'.

SRVDGN

An optional parameter (X'1153') that contains server diagnostic information. The data portion is a string with a maximum length of 32,767 bytes. The string can be any information the server sends to aid in problem diagnosis. For more information about SRVDGN, see *DRDA, Version 4, Volume 3: Distributed Data Management (DDM) Architecture*, which is available from The Open Group at www.opengroup.org.

SVRCOD

A required parameter (X'1149') that contains the severity code. SVRCOD consists of a 2-byte length field (LL), a 2-byte codepoint (CP), and the data. The data is a 2-byte binary value. The following list describes the possible 2-byte values:

- 0**
INFO – Information only severity code
- 4**
WARNING – Warning severity code
- 8**
ERROR – Error severity code
- 16**
SEVERE – Severe error severity code
- 32**
ACCDMG – Access damage severity code
- 64**
PRMDMG – Permanent damage severity code
- 128**
SESDMG – Session damage severity code

SECCHKRM reply message (X'1219')

The distributed data management (DDM) architecture SECCHKRM (security check) reply message indicates the acceptability of the security information.

The security manager specifies the state of the security information by using the security check code (SECCHKCD) parameter.

Format



Parameters

DSSHDR

The 6-byte header that contains information about the data stream structure (DSS).

LL

The length specified as a 2-byte binary integer. This length includes LL and CP.

CP

X'1219', the 2-byte codepoint of the SECCHKRM reply message.

SVRCOD

A required parameter (X'1149') that contains the severity code. SVRCOD consists of a 2-byte length field (LL), a 2-byte codepoint (CP), and the data. The data is a 2-byte binary value. The following list describes the possible 2-byte values:

- 0**
INFO – Information only severity code
- 4**
WARNING – Warning severity code
- 8**
ERROR – Error severity code

- 16**
SEVERE – Severe error severity code
- 32**
ACCDMG – Access damage severity code
- 64**
PRMDMG – Permanent damage severity code
- 128**
SESDMG – Session damage severity code

SECCHKCD

A required String parameter that indicates the security information and condition for the SECCHKRM reply message. For more information about the possible code values and the relationship of SECCHKCD and SVRCOD in the SECCHKRM reply message, see *DRDA, Version 4, Volume 3: Distributed Data Management (DDM) Architecture* by the Open Group.

SRVDGN

An optional parameter (X'1153') that contains server diagnostic information. The data portion is a string with a maximum length of 32,767 bytes. The string can be any information the server sends to aid in problem diagnosis. For more information about SRVDGN, see *DRDA, Version 4, Volume 3: Distributed Data Management (DDM) Architecture*, which is available from The Open Group at www.opengroup.org.

SVCERRNO

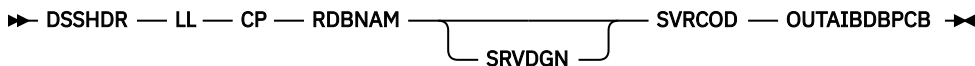
An optional parameter (X'11B4') that contains a security service error number from the local security service. SRVDGN might contain additional information.

SVCERRNO consists of a 2-byte length field (LL), a 2-byte codepoint, followed by a 4-byte binary number data.

SQLERRRM reply message (X'2213')

The distributed data management (DDM) architecture SQLERRRM (SQL error condition) reply message indicates that an SQL error has occurred.

Format



Parameters

DSSHDR

The 6-byte header that contains information about the data stream structure (DSS).

LL

The length specified as a 2-byte binary integer. This length includes LL and CP.

CP

X'2213', the 2-byte codepoint of the SQLERRRM reply message.

RDBNAM

Codepoint X'2110'. The IMS PSB name that identifies the target database.

SRVDGN

An optional parameter (X'1153') that contains server diagnostic information. The data portion is a string with a maximum length of 32,767 bytes. The string can be any information the server sends to aid in problem diagnosis. For more information about SRVDGN, see *DRDA, Version 4, Volume 3: Distributed Data Management (DDM) Architecture*, which is available from The Open Group at www.opengroup.org.

SVRCOD

A required parameter (X'1149') that contains the severity code. SVRCOD consists of a 2-byte length field (LL), a 2-byte codepoint (CP), and the data. The data is a 2-byte binary value. The following list describes the possible 2-byte values:

- 0**
INFO – Information only severity code
- 4**
WARNING – Warning severity code
- 8**
ERROR – Error severity code
- 16**
SEVERE – Severe error severity code
- 32**
ACCDMG – Access damage severity code
- 64**
PRMDMG – Permanent damage severity code
- 128**
SESDMG – Session damage severity code

OUTAIBDBPCB

A required parameter (X'CC02') that contains the AIB and DBPCB data sent from the target to the source.

OUTAIBDBPCB contains the reason for the error.

DDM parameters used by IMS

In some of the DDM terms used by IMS, IMS defines product-unique parameter values and data structures.

AIBOALEN parameter (X'C904')

The AIBOALEN parameter is an IMS product-unique distributed data management (DDM) architecture parameter that identifies the maximum output length on all calls that return data.

Format

►► LL — CP — AIBOALEN ◄◄

Parameters

LL

The length specified as a 2-byte binary integer. This length includes LL and CP.

CP

X'C904', the 2-byte codepoint of the AIBOALEN parameter.

AIBOALEN

A 4-byte integer containing the maximum output length.

Related reference

[“INAIB command object \(X'CC01’\)” on page 284](#)

Use the distributed data management (DDM) architecture INAIB (input AIB) command object to contain the AIB data to send from the source to the target server.

AIBRSNM1 parameter (X'C901')

The AIBRSNM1 parameter is an IMS product-unique distributed data management (DDM) architecture parameter that contains the PCB name.

Format

► LL — CP — AIBRSNM1 ◄

Parameters

LL

The length specified as a 2-byte binary integer. This length includes LL and CP.

CP

X'C901', the 2-byte codepoint of the AIBRSNM1 parameter.

AIBRSNM1

A left-justified, 1- to 8-byte string that contains the PCB name.

Related reference

[“INAIB command object \(X'CC01'\)” on page 284](#)

Use the distributed data management (DDM) architecture INAIB (input AIB) command object to contain the AIB data to send from the source to the target server.

AIBRSNM2 parameter (X'C902')

The AIBRSNM2 parameter is an IMS product-unique distributed data management (DDM) architecture parameter that contains the identifier of the ODBA startup table.

Format

► LL — CP — AIBRSNM2 ◄

Parameters

LL

The length specified as a 2-byte binary integer. This length includes LL and CP.

CP

X'C902', the 2-byte codepoint of the AIBRSNM2 parameter.

AIBRSNM2

A 4-byte string that specifies the 4-character identifier of the ODBA startup table. For example, in DFSxxxx0, xxxx is the 4-character identifier.

Related reference

[“INAIB command object \(X'CC01'\)” on page 284](#)

Use the distributed data management (DDM) architecture INAIB (input AIB) command object to contain the AIB data to send from the source to the target server.

AIBSFUNC parameter (X'C903')

The AIBSFUNC parameter is an IMS product-unique distributed data management (DDM) architecture parameter that contains the sub-function code, if any, of a DL/I call.

Format

► LL — CP — AIBSFUNC ◄

Parameters

LL

The length specified as a 2-byte binary integer. This length includes LL and CP.

CP

X'C903', the 2-byte codepoint of the AIBSFUNC parameter.

AIBSFUNC

A left-justified, 1- to 8-byte string that contains the sub-function code of DL/I call.

Related reference

[“INAIB command object \(X'CC01'\)” on page 284](#)

Use the distributed data management (DDM) architecture INAIB (input AIB) command object to contain the AIB data to send from the source to the target server.

aibStream data structure

The distributed data management (DDM) architecture aibStream is a data structure that is contained in the OUTAIBDBPCB DDM object when the object is passed back in a reply message.

Format

Table 88. Format of the aibStream data structure

Byte offset	Length	Name	Description
0	1	AIB null indicator	Binary integer. X'00' Indicates that the rest of the aibStream data structure is present. X'FF' Indicates that the aibStream data structure contains no data after the AIB null indicator. The total length of the aibStream data structure is one byte.
1	4	Output area used	Binary integer.
5	4	Return code	Binary integer.
9	4	Reason code	Binary integer.
13	4	Error code extension	Binary integer.

Usage

When the Open Database Manager (ODBM) services a GU or GN call, ODBM returns requested data in rows defined within the data stream of a QRYDTA reply object. Each row begins with a concatenation of the aibStream and the dbpcbStream data structures followed by the requested data.

Related reference

[“QRYDTA reply object \(X'241B\)” on page 323](#)

The distributed data management (DDM) architecture QRYDTA (query answer set data) reply object contains some or all of the answer set data that results from a query.

[“dbpcbStream data structure” on page 339](#)

The distributed data management (DDM) architecture dbpcbStream is a data structure that is contained in the OUTAIBDBPCB reply object when the object is passed back in a reply message.

[“OUTAIBDBPCB parameter \(X'CC02\)” on page 342](#)

The distributed data management (DDM) architecture OUTAIBDBPCB (output AIBDBPCB) parameter is sent from the target server to the source server and contains a concatenation of the aibStream and the dbpcbStream data structures.

[“OUTAIBIOPCB parameter \(X'CC08\)” on page 343](#)

The distributed data management (DDM) architecture OUTAIBIOPCB (output AIBIOPCB) parameter is sent from the target server to the source server and contains a concatenation of the aibStream and the iopcbStream data structures.

dbpcbStream data structure

The distributed data management (DDM) architecture dbpcbStream is a data structure that is contained in the OUTAIBDBPCB reply object when the object is passed back in a reply message.

Format

The following table defines the format of the dbpcbStream data structure.

Note: The table shows some fields as having two possible starting byte offsets. For each these fields, if a database name is included in the dbpcbStream data structure, the field starts at the higher of the possible byte offsets.

Table 89. Format of the dbpcbStream data structure

Byte offset	Length	Name	Description
0	1	DBPCB null indicator	Binary integer. X'00' Indicates that the rest of the dbpcbStream data structure is present. X'FF' Indicates that the dbpcbStream data structure contains no data after the DBPCB null indicator. The total length of the dbpcbStream data structure is one byte.
1	1	Database name null indicator	Binary integer. X'00' Indicates that a database name field is present at offset 2. X'FF' Indicates that a database name field is not present.

Table 89. Format of the dbpcbStream data structure (continued)

Byte offset	Length	Name	Description
2	8	Database name	Character string.
2 or 10	2	Segment level number	Right-justified, numeric character data.
4 or 12	2	Status code	Character data.
6 or 14	8	Segment name	Character string.
14 or 22	1	Key feedback null indicator	Binary integer. X'00' Indicates that a key feedback fields begin at offset 15 or, if a database name is present at offset 2, at offset 23. X'FF' Indicates that no key feedback fields are present.
15 or 23	4	Key feedback length	Binary integer.
19 or 27	Variable	Key feedback area	Variable-length character string. The length of the key feedback area is defined in the key feedback length field at offset 15 or, if a database name is present in the dbpcbStream data structure, at offset 23.

Usage

When the Open Database Manager (ODBM) services a GU or GN call, ODBM returns requested data in rows defined within the data stream of a QRYDTA reply object. Each row begins with a concatenation of the aibStream and the dbpcbStream data structures followed by the requested data.

Related reference

[“aibStream data structure” on page 338](#)

The distributed data management (DDM) architecture aibStream is a data structure that is contained in the OUTAIBDBPCB DDM object when the object is passed back in a reply message.

[“QRYDTA reply object \(X'241B'”\) on page 323](#)

The distributed data management (DDM) architecture QRYDTA (query answer set data) reply object contains some or all of the answer set data that results from a query.

[“OUTAIBDBPCB parameter \(X'CC02'”\) on page 342](#)

The distributed data management (DDM) architecture OUTAIBDBPCB (output AIBDBPCB) parameter is sent from the target server to the source server and contains a concatenation of the aibStream and the dbpcbStream data structures.

iopcbStream data structure

The distributed data management (DDM) architecture iopcbStream is a data structure that is contained in the OUTAIBIOPCB DDM object when the object is passed back in a reply message.

Format

Table 90. Format of the iopcbStream data structure

Byte offset	Length	Name	Description
0	1	IOPCB null indicator	Binary integer. X'00' Indicates that the iopcbStream data structure is present. X'FF' Indicates that the iopcbStream data structure contains no data after the IOPCB null indicator. The total length of the iopcbStream data structure is 1 byte.
1	1	LTERM name null indicator	Binary integer. X'00' Indicates that the LTERM name field is present at offset 2 and that the field contains a logical terminal name. X'FF' Indicates that the LTERM name field is not present.
2	8	LTERM name	Character string.
2 or 10	2	Reserved	Reserved.
4 or 12	2	Status code	Character data.
6 or 14	4	Local data and time	Byte array.
10 or 18	4	Input message sequence number	Byte array.
14 or 22	8	Message output descriptor name	Character string.
22 or 30	8	User ID	Character string.
30 or 38	8	Group name	Character string.
38 or 46	12	Timestamp	Byte Array.
50 or 58	1	User ID indicator	Character data.

Usage

The figure and description in the preceding sections serve as the FD:OCA early descriptor definition of the iopcbStream data structure. Do not confuse the iopcbStream data structure with the OUTAIBIOPCB reply object (X'CC08') that contains it when iopcbStream is passed back in a reply message.

Related reference

[“OUTAIBIOPCB parameter \(X'CC08'\)” on page 343](#)

The distributed data management (DDM) architecture OUTAIBIOPCB (output AIBIOPCB) parameter is sent from the target server to the source server and contains a concatenation of the aibStream and the iopcbStream data structures.

OUTAIBDBPCB parameter (X'CC02')

The distributed data management (DDM) architecture OUTAIBDBPCB (output AIBDBPCB) parameter is sent from the target server to the source server and contains a concatenation of the aibStream and the dbpcbStream data structures.

Format

►► LL — CP — aibStream — dbpcbStream ◄◄

Parameters

LL

The length specified as a 2-byte binary integer. This length includes LL and CP.

CP

X'CC02', the 2-byte codepoint of the OUTAIBDBPCB parameter.

aibStream

Required. Contains the following data:

- AIB null indicator
- Output area
- Return code
- Reason code
- Error code extension

dbpcbStream

Required. Contains the following data:

- DBPCB null indicator
- Database name
- Segment level number
- Status code
- Key feedback

Usage

This OUTAIBDBPCB parameter is a scalar parameter. No length or codepoint values are placed in front of the aibStream or dbpcbStream data structures.

Related reference

[“DEALLOCDBRM reply message \(X'CA01'\)” on page 314](#)

The distributed data management (DDM) architecture DEALLOCDBRM (deallocate database completed) reply message indicates that the named PSB is deallocated.

[“aibStream data structure” on page 338](#)

The distributed data management (DDM) architecture aibStream is a data structure that is contained in the OUTAIBDBPCB DDM object when the object is passed back in a reply message.

[“dbpcbStream data structure” on page 339](#)

The distributed data management (DDM) architecture dbpcbStream is a data structure that is contained in the OUTAIBDBPCB reply object when the object is passed back in a reply message.

[“RDBAFLRM reply message \(X'221A'\)” on page 326](#)

The distributed data management (DDM) architecture RDBAFLRM (database access failed) reply message indicates that the database access failed.

OUTAIBIOPCB parameter (X'CC08')

The distributed data management (DDM) architecture OUTAIBIOPCB (output AIBIOPCB) parameter is sent from the target server to the source server and contains a concatenation of the aibStream and the iopcbStream data structures.

Format

►► LL — CP — aibStream — iopcbStream ◄◄

Parameters

LL

The length specified as a 2-byte binary integer. This length includes LL and CP.

CP

X'CC08', the 2-byte codepoint of the OUTAIBIOPCB parameter.

aibStream

Required. Contains the following data:

- AIB null indicator
- Output area
- Return code
- Reason code
- Error code extension

iopcbStream

Required. Contains the following data:

- IOPCB null indicator
- LTERM name
- Status code
- Input message segment number
- Message output descriptor name
- Group name
- Key feedback

Usage

The OUTAIBIOPCB parameter is a scalar parameter. No length or codepoint values are placed in front of the aibStream or iopcbStream data structures.

Related reference

[“iopcbStream data structure” on page 340](#)

The distributed data management (DDM) architecture iopcbStream is a data structure that is contained in the OUTAIBIOPCB DDM object when the object is passed back in a reply message.

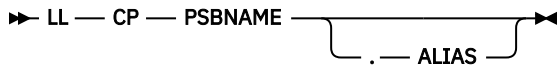
[“aibStream data structure” on page 338](#)

The distributed data management (DDM) architecture aibStream is a data structure that is contained in the OUTAIBDBPCB DDM object when the object is passed back in a reply message.

RDBNAM parameter (X'2110')

The distributed data management (DDM) architecture RDBNAM parameter identifies the target database for a given interaction.

Format



Parameters

LL

The 2-byte specification of the length of the RDBNAM parameter.

CP

X'2110', the 2-byte codepoint of the RDBNAM parameter.

PSBNAME

The IMS PSB name, specified as a character string up to 8 bytes long. The PSB name identifies the target database and must match a PSB name defined to IMS.

ALIAS

Optional. The alias name of the IMS data store name. ALIAS must be specified as 4 bytes. If the alias name is fewer than 4 characters, the characters must be left aligned and the remaining bytes must be padded with blank character spaces.

When ALIAS is used, the PSBNAME and the ALIAS must be separated by a period.

Related reference

[“ACCRDB command \(X'2001'\)” on page 265](#)

The distributed data management (DDM) architecture ACCRDB command allocates a program specification block (PSB) on behalf of the source server. The PSB represents a connection between the DDM source server and an IMS database.

[“ACCSEC command \(X'106D'\)” on page 267](#)

The ACCSEC DDM command is used to determine the type of security checking that is performed when an application program on the source server connects to a database on the IMS target server.

[“DEALLOCDDB command \(X'C801'\)” on page 271](#)

The distributed data management (DDM) DEALLOCDDB command terminates all resources that are associated with a PSB by deallocating the PSB named in the RDBNAM parameter.

[“RDBAFLRM reply message \(X'221A'\)” on page 326](#)

The distributed data management (DDM) architecture RDBAFLRM (database access failed) reply message indicates that the database access failed.

SSA parameter (X'C906')

The SSA parameter is an IMS product-unique distributed data management (DDM) architecture parameter that contains a segment search argument (SSA) that qualifies a DL/I call.

Format



Parameters

LL

The length specified as a 2-byte binary integer. This length includes LL and CP.

CP

X'C906', the 2-byte codepoint of the SSA parameter.

SSA

A byte-string that contains an SSA.

Related reference

[“SSALIST command object \(X'CC06'\)” on page 307](#)

Use the distributed data management (DDM) architecture SSALIST command object to contain the list of segment search argument (SSA) objects to qualify the DL/I call.

SSACOUNT parameter (X'C905')

The SSACOUNT parameter is an IMS product-unique distributed data management (DDM) architecture parameter that specifies the number of segment search arguments (SSAs) included in the SSALIST command object.

Format

►► LL — CP — SSACOUNT ◄◄

Parameters

LL

The length specified as a 2-byte binary integer. This length includes LL and CP.

CP

X'C905', the 2-byte codepoint of the SSACOUNT parameter.

SSACOUNT

A 2-byte binary number field that indicates the number of SSAs included in the SSALIST command object. The minimum value is 1 and the maximum value is 15.

Related reference

[“SSALIST command object \(X'CC06'\)” on page 307](#)

Use the distributed data management (DDM) architecture SSALIST command object to contain the list of segment search argument (SSA) objects to qualify the DL/I call.

UPDCNT parameter (X'C90A')

The UPDCNT parameter is an IMS product-unique distributed data management (DDM) architecture parameter that identifies the number of rows affected by an individual or batch INSERT, UPDATE, or DELETE action.

Format

►► LL — CP — UPDCNT ◄◄

Parameters

LL

The length specified as a 2-byte binary integer. This length includes LL and CP.

CP

X'C90A', the 2-byte codepoint of the UPDCNT parameter.

UPDCNT

A 4-byte integer containing the number of rows affected by a batch or singleton INSERT, UPDATE, or DELETE action.

Related reference

[“RDBUPDRM reply message \(X'2218'\)” on page 330](#)

The distributed data management (DDM) architecture RDBUPDRM (database update) reply message indicates that the a DDM command resulted in an update at the target database.

Chapter 3. IMS Adapter for REXX reference

The IMS adapter for REXX (REXXTDLI) provides an environment in which IMS users can interactively develop REXX EXECs under TSO/E (time-sharing option extensions) and execute them in IMS MPPs, BMPs, IFPs, or Batch regions.

This product does not compete with DFSDDLTO but is used as an adjunct. The IMS adapter for REXX provides an application programming environment for prototyping or writing low-volume transaction programs.

The REXX environment executing under IMS has the same abilities and restrictions as those documented in the *z/OS TSO/E REXX Reference*. These few restrictions pertain to the absence of the TSO, ISPEXEC, and ISREDIT environments, and to the absence of TSO-specific functions such as LISTDS. You can add your own external functions to the environment as documented in the *z/OS TSO/E REXX Reference*.

IMS calls the REXX EXEC using IRXJCL. When this method is used, Return Code 20 (RC20) is a restricted return code. Return Code 20 is returned to the caller of IRXJCL when processing was not successful, and the EXEC was not processed.

A REXX EXEC runs as an IMS application and has characteristics similar to other IMS-supported programming languages, such as COBOL. Programming language usage (REXX and other supported languages) can be mixed in MPP regions. For example, a COBOL transaction can be executed after a REXX transaction is completed, or vice versa.

The advantages of REXX are:

- REXX is an easy-to-use interpretive language.
- REXX does not require a special PSB generation to add an EXEC and run it because EXECs can run under a standard PSB (IVPREXX or one that is established by the user).
- The REXX interface supports DL/I calls and provides these functions:
 - Call tracing of DL/I calls, status, and parameters
 - Inquiry of last DL/I call
 - Extensive data mapping
 - PCB specification by name or offset
 - Obtaining and releasing storage
 - Messaging through WTO, WTP, WTL, and WTOR

The following system environment conditions are necessary to run REXX EXECs:

- DFSREXX0 and DFSREXX1 must be in a load library accessible to your IMS dependent or batch region; for example, STEPLIB.
- DFSREXX0 is stand-alone and must have the RENT option specified.
- DFSREXX1 must be bound with DFSLI000 and DFSCPIRO (for SRRCMIT and SRRBACK) and optionally, DFSREXXU. The options must be REUS, not RENT.
- IVPREXX (copy of DFSREXX0 program) must be installed as an IMS transaction program. IVP (Installation Verification Program) installs the program.
- The PSB must be defined as assembler language or COBOL.
- SYSEXEC DD points to a list of data sets containing the REXX EXECs that will be run in IMS. You must put this DD in your IMS dependent or batch region JCL.
- SYSTSPRT DD is used for REXX output, for example tracing, errors, and SAY instructions. SYSTSPRT DD is usually allocated as SYSOUT=A or another class, depending on installation, and must be put in the IMS dependent or batch region JCL.
- SYSTSIN DD is used for REXX input because no console exists in an IMS dependent region, as under TSO. The REXX PULL statement is the most common use of SYSTSIN.

Related reading: For more information on SYSTSPRT and SYSTSIN, see *z/OS TSO/E REXX Reference*.

Related reference

“IVPREXX sample application” on page 377

The IVPREXX exec is a front-end generic exec that is shipped with IMS as part of the IVP. It runs other execs by passing the exec name to execute after the TRANCODE (IVPREXX). For the latest version of the IVPREXX source code, look for the IVPREXX member in the IMS.ADFSEXEC distribution library.

IMS Adapter for REXX overview

The following figure shows the IMS adapter for REXX environment at a high level. This figure shows how the environment is structured under the IMS program controller, and some of the paths of interaction between the components of the environment.

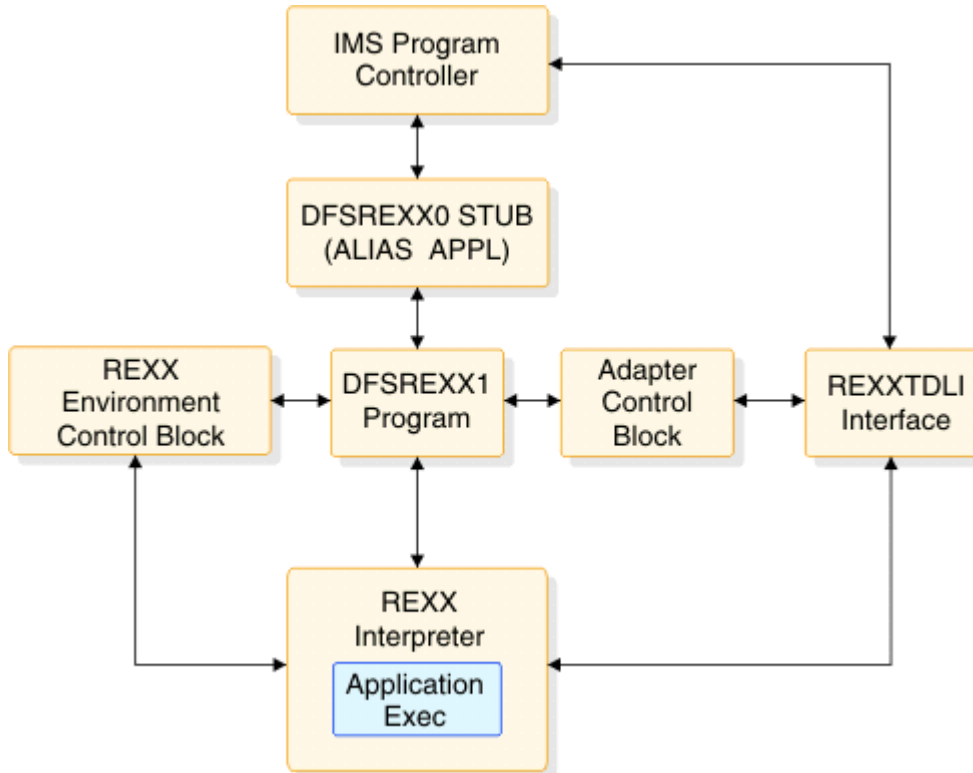


Figure 8. IMS Adapter for REXX logical overview diagram

Related reference

IMS Adapter for REXX exit routine (DFSREXXU) (Exit Routines)

Sample exit routine (DFSREXXU)

IMS provides a sample user exit routine that is used with the IMS Adapter for REXX.

For a description of how to write the user exit routine see *IMS Version 15.5 Exit Routines*. The sample user exit routine checks to see if it is being called on entry. If so, the user exit routine sets the parameter list to the transaction code with no arguments and sets the start-up IMSRXTRC level to 2. The return code is set to 0. For the latest version of the DFSREXXU source code, see the IMS.ADFSSMPL distribution library; the member name is DFSREXXU.

Addressing other environments

Use the REXX ADDRESS instruction to change the destination of commands. The IMS Adapter for REXX functions through two host command environments: REXXTDLI and REXXIMS. Other host command environments can be accessed with an IMS EXEC as well.

The z/OS environment is provided by TSO in both TSO and non-TSO address spaces. It is used to run other programs such as EXECIO for file I/O. IMS does not manage the z/OS EXECIO resources. An IMS COMMIT or BACKOUT, therefore, has no effect on these resources. Because EXECIO is not an IMS-controlled resource, no integrity is maintained. If integrity is an issue for flat file I/O, use IMS GSAM, which ensures IMS-provided integrity.

If APPC/MVS is available, other environments can be used. The environments are:

APPCMVS

Used for z/OS-specific APPC interfacing

CPICOMM

Used for CPI Communications

LU62

Used for z/OS-specific APPC interfacing

Related reading: For more information on addressing environments, see *z/OS TSO/E REXX Reference*.

REXX transaction programs

A REXX transaction program can use any PSB definition. The definition set up by the IVP for testing is named IVPREXX.

A section of the IMS stage 1 definition is shown in the following example:

```
*****
*   IVP APPLICATIONS DEFINITION FOR DB/DC, DCCTL   *
*****
      APPLCTN GPSB=IVPREXX,PGMTYPE=TP,LANG=ASSEM  REXXTDLI SAMPLE
      TRANSACT CODE=IVPREXX,MODE=SNGL,           X
      MSGTYPE=(SNGLSEG, NONRESPONSE, 1)
```

This example uses a GPSB, but you could use any PSB that you have defined. The GPSB provides a generic PSB that has an TP PCB and a modifiable alternate PCB. It does not have any database PCBs. The language type of ASSEM is specified because no specific language type exists for a REXX application.

Recommendation: For a REXX application, specify either assembler language or COBOL.

IMS schedules transactions using a load module name that is the same as the PSB name being used for MPP regions or the PGM name for other region types. You must use this load module even though your application program consists of the REXX EXEC. The IMS adapter for REXX provides a load module for you to use. This module is called DFSREXX0. You can:

- Copy to a steplib data set with the same name as the application PSB name. Use either a standard utility intended for copying load modules (such as IEBCOPY or SAS), or the Binder.
- Use the Binder to define an alias for DFSREXX0 that is the same as the application PGM name.

For example, the following code sample shows a section from the PGM setup job that uses the binder to perform the copy function to the name IVPREXX. The example uses the IVP.

```
//* REXXTDLI SAMPLE - GENERIC APPLICATION DRIVER
//*
//LINK      EXEC PGM=IEWL,
//          PARM='XREF,LIST,LET,SIZE=(192K,64K) '
//SYSPRINT  DD SYSOUT=*
//SDFSRESL  DD DISP=SHR,DSN=IMS.SDFSRESL
//SYSLMOD   DD DISP=SHR,DSN=IMS1.PGMLIB
//SYSUT1    DD UNIT=(SYSALLDA,SEP=(SYSLMOD,SYSLIN)),
//          DISP=(,DELETE,DELETE),SPACE=(CYL,(1,1))
//SYSLIN    DD *
INCLUDE    SDFSRESL(DFSREXX0)
```

```

ENTRY DFSREXX0
  NAME IVPREXX(R)
/*

```

When IMS schedules an application transaction, the load module is loaded and given control. The load module establishes the REXX EXEC name as the PGM name with an argument of the Transaction Code (if applicable). The module calls a user exit routine (DFSREXXU) if it is available. The user exit routine selects the REXX EXEC (or a different EXEC to run) and can change the EXEC arguments, or do any other desired processing.

Upon return from the user exit routine, the action requested by the routine is performed. This action normally involves calling the REXX EXEC. The EXEC load occurs using the SYSEXEC DD allocation. This allocation must point to one or more partitioned data sets containing the IMS REXX application programs that will be run as well as any functions written in REXX that are used by the programs.

Standard REXX output, such as SAY statements and tracing, is sent to SYSTSPRT. This DD is required and can be set to SYSOUT=A.

When the stack is empty, the REXX PULL statement reads from the SYSTSIN DD. In this way, you can conveniently provide batch input data to a BMP or batch region. SYSTSIN is optional; however, you will receive an error message if you issue a PULL from an empty stack and SYSTSIN is not allocated. The following code example shows the JCL necessary for MPP region that runs the IVPREXX sample EXEC.

JCL code used to run the IVPREXX sample exec

```

//IVP32M11 EXEC PROC=DFSMPR,TIME=(1440),
//          AGN=IVP,          AGN NAME
//          NBA=6,
//          OBA=5,
//          SOUT='*',          SYSOUT CLASS
//          CL1=001,          TRANSACTION CLASS 1
//          CL2=000,          TRANSACTION CLASS 2
//          CL3=000,          TRANSACTION CLASS 3
//          CL4=000,          TRANSACTION CLASS 4
//          TLIM=10,          MPR TERMINATION LIMIT
//          SOD=,             SPIN-OFF DUMP CLASS
//          IMSID=IVP1,       IMSID OF IMS CONTROL REGION
//          PREINIT=DC,       PROCLIB DFSINTXX MEMBER
//          PWFI=Y,           PSEUDO=WFI
//*
//* ADDITIONAL DD STATEMENTS
//*
//DFSCTL DD DISP=SHR,
//        DSN=IVPSYS32.PROCLIB(DFSSBPRM)
//DFSSTAT DD SYSOUT=*
//* REXX EXEC SOURCE LOCATION
//SYSEXEC DD DISP=SHR,
//        DSN=IVPIVP32.INSTALIB
//        DD DISP=SHR,
//        DSN=IVPSYS32.SDFSEXEC
//* REXX INPUT LOCATION WHEN STACK IS EMPTY
//SYSTSIN DD *
//*
//* REXX OUTPUT LOCATION
//SYSTSPRT DD SYSOUT=*
//* COBOL OUTPUT LOCATION
//SYSOUT DD SYSOUT=*

```

Related reference

[IMS Adapter for REXX exit routine \(DFSREXXU\) \(Exit Routines\)](#)

REXXTDLI commands

These topics contain REXX commands and describe how they apply to DL/I calls.

The terms *command* and *call* can be used interchangeably when explaining the REXXTDLI environment. However, the term *command* is used exclusively when explaining the REXXIMS environment. For consistency, *call* is used when explaining DL/I, and *command* is used when explaining REXX.

To issue commands in the IMS adapter for REXX environment, you must first address the correct environment. Two addressable environments are provided with the IMS adapter for REXX. The environments are as follows:

REXXTDLI

Used for standard DL/I calls, for example GU and ISRT. The REXXTDLI interface environment is used for all standard DL/I calls and cannot be used with REXX-specific commands. All commands issued to this environment are considered to be standard DL/I calls and are processed appropriately. A GU call for this environment could look like this:

```
Address REXXTDLI "GU MYPCB DataSeg"
```

REXXIMS

Used to access REXX-specific commands (for example, WTO and MAPDEF) in the IMS adapter for REXX environment. The REXXIMS interface environment is used for both DL/I calls and REXX-specific commands. When a command is issued to this environment, IMS checks to see if it is REXX-specific. If the command is not REXX-specific, IMS checks to see if it is a standard DL/I call. The command is processed appropriately.

The REXX-specific commands, also called extended commands, are REXX extensions added by the IMS adapter for the REXX interface. A WTO call for this environment could look like this:

```
Address REXXIMS "WTO Message"
```

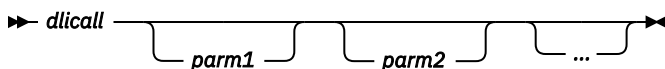
On entry to the scheduled EXEC, the default environment is z/OS. Consequently, you must either use ADDRESS REXXTDLI or ADDRESS REXXIMS to issue the IMS adapter for REXX calls.

Related reading: For general information on addressing environments, see *TSO/E Version 2 Procedures Language MVS/REXX Reference*.

REXXTDLI calls

The following information describes usage considerations for REXXTDLI calls.

Format



The format of a DL/I call varies depending on call type. The parameter formats for supported DL/I calls can be found in [“DL/I calls for database management”](#) on page 1, [“DL/I calls for transaction management”](#) on page 74, and [“DL/I calls for IMS DB system services”](#) on page 30. The parameters for the calls are case-independent, separated by one or more blanks, and are generally REXX variables. See [“Parameter handling”](#) on page 352 for detailed descriptions.

Issuing synchronous callout requests

To issue a synchronous callout (ICAL call) request using the REXXTDLI interface, you must specify the DFSAIB keyword followed by the input and output areas. Both the input and output areas can be specified as a variable, *mapname, or !token.

The syntax for the ICAL call from the REXXTDLI interface is:

```
➤ ICAL — DFSAIB — In — Out ➤
```

A default length of 1024 bytes will be passed as an input to the AIBOAUSE field for undefined or implicit variables in the output area. To specify larger messages, you will need to issue the STORAGE command.

Return codes

If you use the AIBTDLI interface, the REXX RC variable is set to the return code from the AIB on the DL/I call.

If you do not use the AIBTDLI interface, a simulated return code is returned. This simulated return code is set to zero if the PCB status code was GA, GK, or bb. If the status code had any other value, the simulated return code is X'900' or decimal 2304.

Parameter handling

The IMS adapter for REXX performs some parameter setup for application programs in a REXX environment. This setup occurs when the application program uses variables or maps as the parameters. When the application uses storage tokens, REXX does not perform this setup. The application program must provide the token and parse the results just as a non-REXX application would. For a list of parameter types and definitions, see [Table 91 on page 353](#).

The REXXTDLI interface performs the following setup:

- The I/O area retrieval for the I/O PCB is parsed. The LL field is removed, and the ZZ field is removed and made available by means of the REXXIMS (' ZZ ') function call. The rest of the data is placed in the specified variable or map. Use the REXX LENGTH() function to find the length of the returned data.
- The I/O area building for the TP PCB or alternate PCB is done as follows:
 - The appropriate LL field.
 - The ZZ field from a preceding SET ZZ command or X'0000' if the command was not used.
 - The data specified in the passed variable or map.
- The I/O area processing for the SPA is similar to the first two items, except that the ZZ field is 4 bytes long.
- The feedback area on the CHNG and SETO calls is parsed. The LLZZLL fields are removed, and the remaining data is returned with the appropriate length.
- The parameters that have the LLZZ as part of their format receive special treatment. These parameters occur on the AUTH, CHNG, INIT, ROLS, SETO, and SETS calls. The LLZZ fields are removed when IMS returns data to you and added (ZZ is always X'0000') when IMS retrieves data from you. In effect, your application ignores the LLZZ field and works only with the data following it.
- The numeric parameters on XRST and symbolic CHKP are converted between decimal and a 32-bit number (fullword) as required.

Table 91. IMS adapter for REXX parameter types and definitions

Type ¹	Parameter Definition
PCB	<p>Important: The PCB parameter is not required if the REXXTDLI interface is used for making a synchronous callout request (ICAL call). Instead, the keyword DFSAIB must be specified before the input and output parameters.</p> <p>PCB identifier specified as a variable containing one of the following:</p> <ul style="list-style-type: none"> • PCB name as defined in the PSB generation on the PCBNAME= parameter. See IMS Version 15.5 System Utilities for more information on defining PCB names. The name can be from 1 to 8 characters long and does not have to be padded with blanks. If this name is given, the AIBTDLI interface is used, and the return codes and reason codes are acquired from that interface. • An AIB block formatted to DFSAIB specifications. This variable is returned with an updated AIB. • A # followed by PCB offset number (#1=first PCB). Example settings are: <ul style="list-style-type: none"> – IOPCB=: "#1" – ALTPCB=: "#2" – DBPCB=: "#3" <p>The IOAREA length returned by a database DL/I call defaults to 4096 if this notation is used. The correct length is available only when the AIBTDLI interface is used.</p>
In	Input variable. It can be specified as a constant, variable, *mapname ² , or !token ³ .
SSA	Input variable with an SSA (segment search argument). It can be specified as a constant, variable, *mapname ² , or !token ³ .
Out	Output variable to store a result after a successful command. It can be specified as a variable, *mapname ² , or !token ³ .
In/Out	Variable that contains input on entry and contains a result after a successful command. It can be specified as a variable, *mapname ² , or !token ³ .
Const	Input constant. This command argument must be the actual value, not a variable containing the value.

Table 91. IMS adapter for REXX parameter types and definitions (continued)

Type ¹	Parameter Definition
-------------------	----------------------

Note:

1. The parameter types listed in Table 91 on page 353 correspond to the types shown in Table 1 on page 2, Table 26 on page 75, and Table 5 on page 31, as well as to those shown in Table 92 on page 356.

All parameters specified on DL/I calls are case independent except for the values associated with the STEM portion of the compound variable (REXX terminology for an array-like structure). A period (.) can be used in place of any parameter and is read as a NULL (zero length string) and written as a void (place holder). Using a period in place of a parameter is useful when you want to skip optional parameters.

2. For more information on *mapname, see “MAPGET” on page 361 and “MAPPUT” on page 362.
 3. For more information on !token, see “STORAGE” on page 364.
-

Example DL/I calls

The following example shows an ISRT call issued against the I/O PCB. It writes the message "Hello World".

```
IO = "IOPCB"           /* IMS Name for I/O PCB */
OutMsg="Hello World"
Address REXXTDLI "ISRT IO OutMsg"
If RC=0 Then Exit 12
```

In this example, *IO* is a variable that contains the PCB name, which is the constant “IOPCB” for the I/O PCB. If a non-zero return code (RC) is received, the EXEC ends (Exit) with a return code of 12. You can do other processing here.

The next example gets a part from the IMS sample parts database. The part number is "250239". The actual part keys have a "02" prefix and the key length defined in the DBD is 17 bytes.

The following example puts the segment into the variable called *Part_Segment*.

```
PartNum = "250239"
DB      = "DBPCB01"
SSA     = 'PARTROOT(PARTKEY = '||Left('02'||PartNum,17)||')'
Address REXXTDLI "GU DB Part_Segment SSA"
```

Notes:

- In a real EXEC, you would probably find the value for PartNum from an argument and would have to check the return code after the call.
- The LEFT function used here is a built-in REXX function. These built-in functions are available to any IMS REXX EXEC. For more information on functions, see *TSO/E Version 2 Procedures Language MVS/REXX Reference*.
- The single quote (') and double quote (") are interchangeable in REXX, as long as they are matched.

The IMS.SDFSISRC library includes the DFSSUT04 EXEC. You can use this EXEC to process any unexpected return codes or status codes. To acquire the status code from the last DL/I call issued, you must execute the IMSQUERY('STATUS') function. It returns the two character status code.

If you use an EXEC that runs in both IMS and non-IMS environments, check to see if the IMS environment is available. You can check to see if the IMS environment is available in two ways:

- Use the z/OS SUBCOM command and specify either the REXXTDLI or REXXIMS environments. The code looks like this:

```
Address MVS 'SUBCOM REXXTDLI'
If RC=0 Then Say "IMS Environment is Available."
Else Say "Sorry, no IMS Environment here."
```

- Use the PARSE SOURCE instruction of REXX to examine the address space name (the 8th word). If it is running in an IMS environment, the token will have the value IMS. The code looks like this:

```
Parse Source . . . . . Token .
If Token='IMS' Then Say "IMS Environment is Available."
Else Say "Sorry, no IMS Environment here."
```

The following sample IMS REXX program shows how to use the DL/I ICAL call to send a synchronous callout request message to an OTMA descriptor name OTMDEST1 with an input string of "Hello from IMS" and a timeout value of 60 seconds. The output data is set in the variable *Output*.

```
Address REXXIMS
Input = 'Hello from IMS';
Timer = 6000
'SET SUBFUNC SENDRECV'
'SET RSNAM1 OTMDEST1'
'SET TIMER Timer'

'ICAL DFSAIB Input Output'
Say Input
Say Output

Outlen = IMSQUERY('OUTLEN')
Say Outlen
Errxtn = IMSQUERY('ERRXTN')
Say Errxtn
```

The following sample shows the output of an IMS REXX program that issued an DL/I ICAL call:

```
DFS3180I INQY ENVIRON Region=BMP      Number=1
DFS3180I INQY ENVIRON Tran=TXCD255  PGM=DFSREXX0
DFS3180I Starting EXEC Name=DFSREXX0
DFS3160I IMS CMD=SET SUBFUNC SENDRECV
DFS3161I REXXIMS Command=SET      RC=0
DFS3160I IMS CMD=SET RSNAM1 OTMDEST1
DFS3161I REXXIMS Command=SET      RC=0
DFS3160I IMS CMD=SET TIMER timer
DFS3161I REXXIMS Command=SET      RC=0
DFS3160I IMS CMD=ICAL DFSAIB Input Output
DFS3161I REXXTDLI Call=ICAL RC=0000 Reason=0000 Status=".."
Hello from IMS
HELLO FROM TM RA APP
50
0
```

Environment determination

If you use an EXEC that runs in both IMS and non-IMS environments, check to see if the IMS environment is available. You can check to see if the IMS environment is available in two ways:

- Use the z/OS SUBCOM command and specify either the REXXTDLI or REXXIMS environments. The code looks like this:

```
Address z/OS 'SUBCOM REXXTDLI'
If RC=0 Then Say "IMS Environment is Available."
Else Say "Sorry, no IMS Environment is here."
```

- Use the PARSE SOURCE instruction of REXX to examine the address space name (the 8th word). If it is running in an IMS environment, the token will have the value IMS. The code looks like this:

```
Parse Source . . . . . Token . If Token='IMS' Then Say "IMS Environment
is Available."
Else Say "Sorry, no IMS Environment here."
```

Related reference

[“STORAGE” on page 364](#)

The STORAGE command allows the acquisition of system storage that can be used in place of variables for parameters to REXXTDLI and REXXIMS calls.

[“DLIINFO” on page 357](#)

The DLIINFO call requests information from the last DL/I call or on a specific PCB.

[“SETO call” on page 109](#)

The SET Options (SETO) call allows IMS application programs to set processing options. The SETO call can also be used to set processing options for Spool API functions.

[“REXXIMS extended commands” on page 356](#)

The IMS adapter for REXX gives access to the standard DL/I calls and it supplies a set of extended commands for the REXX environment.

REXXIMS extended commands

The IMS adapter for REXX gives access to the standard DL/I calls and it supplies a set of extended commands for the REXX environment.

These commands are listed in the following tables and are available when you ADDRESS REXXIMS. DL/I calls are also available when you address the REXXIMS environment.

Table 92. REXXIMS extended commands

Command	Parameter Types
DLIINFO	Out [PCB]
IMSRXTRC	In
MAPDEF	Const In [Const]
MAPGET	Const In
MAPPUT	Const Out
SET	Const In
SRRBACK	Out
SRRCMIT	Out
STORAGE	Const Const [In [Const]]
WTO	In
WTP	In
WTL	In
WTOR	In Out

Note:

All parameters specified on DL/I calls are case-independent except for the values associated with the STEM portion of the compound variable (REXX terminology for an array-like structure). A period (.) can be used in place of any parameter and has the effect of a NULL (zero length string) if read and a void (place holder) if written. Use a period in place of a parameter to skip optional parameters.

Related reference

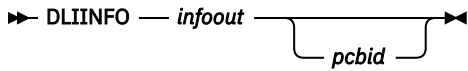
[“REXXTDLI calls” on page 351](#)

The following information describes usage considerations for REXXTDLI calls.

DLIINFO

The DLIINFO call requests information from the last DL/I call or on a specific PCB.

Format



Call Name	DB/DC	DBCTL	DCCTL	DB Batch	TM Batch
DLIINFO	X	X	X	X	X

Usage

The *infoout* variable name is a REXX variable that is assigned the DL/I information. The *pcbid* variable name returns the addresses associated with the specified PCB and its last status code.

The format of the returned information is as follows:

Word

Description

- 1 Last DL/I call ('!' if N/A)
- 2 Last DL/I PCB name (name or #number, '!' if N/A)
- 3 Last DL/I AIB address in hexadecimal (00000000 if N/A)
- 4 Last DL/I PCB address in hexadecimal (00000000 if N/A)
- 5 Last DL/I return code (0 if N/A)
- 6 Last DL/I reason code (0 if N/A)
- 7 Last DL/I call status ('!' if blank or N/A)

Example

```
Address REXXIMS 'DLIINFO MyInfo' /* Get Info */
Parse Var MyInfo DLI_Cmd DLI_PCB DLI_AIB_Addr DLI_PCB_Addr,
          DLI_RC DLI_Reason DLI_Status .
```

Always code a period after the status code (seventh word returned) when parsing to allow for transparent additions in the future if needed. Words 3, 4, and 7 can be used when a *pcbid* is specified on the DLIINFO call.

Related reference

[“REXXTDLI calls” on page 351](#)

The following information describes usage considerations for REXXTDLI calls.

[“PCBINFO exec: display available PCBs in current PSB” on page 369](#)

The PCB exec maps the PCBs available to the exec, which are the PCBs for the executing PSB.

IMSRXTRC

The IMSRXTRC command is used primarily for debugging. It controls the tracing action taken (that is, how much trace output through SYSTSPRT is sent to the user) while running a REXX program.

Format

►► IMSRXTRC — *level* ►◄

Call Name	DB/DC	DBCTL	DCCTL	DB Batch	TM Batch
IMSRXTRC	X	X	X	X	X

Usage

The *level* variable name can be a REXX variable or a digit, and valid values are from 0 to 9. The initial value at EXEC start-up is 1 unless it is overridden by the user Exit. Traced output is sent to the DDNAME SYSTSPRT. See IMS Version 15.5 Exit Routines for more information on the IMS adapter for REXX exit routine.

The IMSRXTRC command can be used in conjunction with or as a replacement for normal REXX tracing (TRACE).

Level

	Description
0	Trace errors only.
1	The previous level and trace DL/I calls, their return codes, and environment status (useful for flow analysis).
2	All the previous levels and variable sets.
3	All the previous levels and variable fetches (useful when diagnosing problems).
4-7	All previous levels.
8	All previous levels and parameter list to/from standard IMS language interface. See message DFS3179 in <i>IMS Version 15.5 Messages and Codes, Volume 2: Non-DFS Messages</i> .
9	All previous levels.

Example

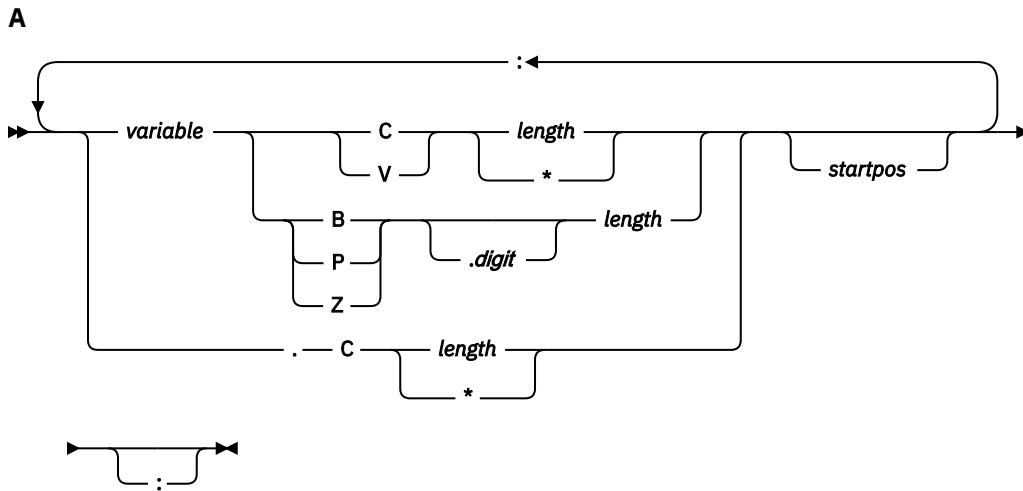
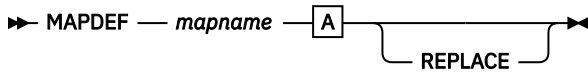
```
Address REXXIMS 'IMSRXTRC 3'
```

IMSRXTRC is independent of the REXX TRACE instruction.

MAPDEF

The MAPDEF command makes a request to define a data mapping.

Format



Call Name	DB/DC	DBCTL	DCCTL	DB Batch	TM Batch
MAPDEF	X	X	X	X	X

Usage

Data mapping is an enhancement added to the REXXIMS interface. Because REXX does not offer variable structures, parsing the fields from your database segments or MFS output maps can be time consuming, especially when data conversion is necessary. The MAPDEF, MAPGET, and MAPPUT commands allow simple extraction of most formatted data.

- *mapname* is a 1- to 16-character case-independent name.
- *definition* (**A**) is a variable containing the map definition.
- REPLACE, if specified, indicates that a replacement of an existing map name is allowed. If not specified and the map name is already defined, an error occurs and message DFS3171E is sent to the SYSTPRT.

The map *definition* has a format similar to data declarations in other languages, with simplifications for REXX. In this definition, you must declare all variables that you want to be parsed with their appropriate data types. The format is shown in **A** in the syntax diagram.

Variable name

The variable name *variable* is a REXX variable used to contain the parsed information. Variable names are case-independent. If you use a STEM (REXX terminology for an array-like structure) variable, it is resolved at the time of use (at the explicit or implicit MAPGET or MAPPUT call time), and this can be powerful. If you use an index type variable as the STEM portion of a compound variable, you can load many records into an array simply by changing the index variable. Map names or tokens cannot be substituted for variable names inside a map definition.

Repositioning the internal cursor

A period (.) can be used as a variable place holder for repositioning the internal cursor position. In this case, the data type must be C, and the length can be negative, positive, or zero. Use positive values to skip over fields of no interest. Use negative lengths to redefine fields in the middle of a map without using absolute positioning.

The data type values are:

- C** Character
- V** Variable
- B** Binary (numeric)
- Z** Zoned decimal (numeric)
- P** Packed decimal (numeric)

All numeric data types can have a period and a number next to them. The number indicates the number of digits to the right of a decimal point when converting the number.

The .digit specification is expanded to 31 digits.

Length value

The *length* value can be a number or an asterisk (*), which indicates that the rest of the buffer will be used. You can specify an asterisk only for data types C and V. Data type V maps a 2-byte length field preceding the data string, such that when the declared length is 2, it takes 4 bytes. Data types P and Z accept values of 0 to 31 digits.

Valid lengths for data types are:

- C** 1 - 32767 bytes or *
- V** 1 - 32765 bytes or *
- B** 1 - 4 bytes
- Z** 1 - 32 bytes
- P** 1 - 16 bytes

If a value other than asterisk (*) is given, the cursor position is moved by that value.

The *startpos* value resets the parsing position to a fixed location. If *startpos* is omitted, the column to the right of the previous map variable definition (cursor position) is used. If it is the first variable definition, column 1 is used.

Note: A length of asterisk (*) does not move the cursor position, so a variable declared after one with a length of asterisk (*) without specifying a start column overlays the same definition.

Example

This example defines a map named DBMAP, which is used implicitly on a GU call by placing an asterisk (*) in front of the map name.

```
DBMapDef = 'RECORD      C   * :', /* Pick up entire record    */
           'NAME        C  10 :', /* Cols 1-10 hold the name */
           'PRICE       Z.2 6 :', /* Cols 11-16 hold the price */
           'CODE        C   2 :', /* Cols 17-18 hold the code */
           '            C  25 :', /* Skip 25 columns        */
           'CATEGORY    B   1'  /* Col 42 holds category   */
Address REXXIMS 'MAPDEF DBMAP DBMapDef'
```

:

```

Address REXXTDLI 'GU DBPCB *DBMAP' /* Read and decode a segment */
If RC=0 Then Signal BadCall /* Check for failure */
Say CODE /* Can now access any Map Variable*/

```

The entire segment retrieved on the GU call is placed in RECORD. The first 10 characters are placed in NAME, and the next 6 are converted from zoned decimal to EBCDIC with two digits to the right of the decimal place and placed in PRICE. The next two characters are placed in CODE, the next 25 are skipped, and the next character is converted from binary to EBCDIC and placed in CATEGORY. The 25 characters that are skipped are present in the RECORD variable.

MAPGET

The MAPGET command is a request to parse or convert a buffer into a specified data mapping previously defined with the MAPDEF command.

Format

➡ MAPGET — *mapname* — *buffer* →

Call Name	DB/DC	DBCTL	DCCTL	DB Batch	TM Batch
MAPGET	X	X	X	X	X

Usage

The *mapname* variable name specifies the data mapping to use. It is a 1- to 16-character case-independent name. The *buffer* variable name is the REXX variable containing the data to parse.

Map names can also be specified in the REXXTDLI calls in place of variable names to be set or written. This step is called an implicit MAPGET. Thus, the explicit (or variable dependent) MAPGET call can be avoided. To indicate that a Map name is being passed in place of a variable in the DL/I call, precede the name with an asterisk (*), for example, 'GU IOPCB *INMAP'.

Examples

This example uses explicit support.

```

Address REXXTDLI 'GU DBPCB SegVar'
If RC=0 Then Signal BadCall /* Check for failure */
Address REXXIMS 'MAPGET DBMAP SegVar' /* Decode Segment */
Say VAR_CODE /*Can now access any Map Variable */

```

This example uses implicit support.

```

Address REXXTDLI 'GU DBPCB *DBMAP' /* Read and decode segment if read*/
If RC=0 Then Signal BadCall /* Check for failure */
Say VAR_CODE /* Can now access any Map Variable*/

```

If an error occurs during a MAPGET, message DFS3172I is issued. An error could occur when a Map is defined that is larger than the input segment to be decoded or during a data conversion error from packed or zoned decimal format. The program continues, and an explicit MAPGET receives a return code 4. However, an implicit MAPGET (on a REXXTDLI call, for example) does not have its return code affected. Either way, the failing variable's value is dropped by REXX.

MAPPUT

This MAPPUT command makes a request to pack or concatenate variables from a specified Data Mapping, defined by the MAPDEF command, into a single variable.

Format

► MAPPUT — *mapname* — *buffer* ◄

Call Name	DB/DC	DBCTL	DCCTL	DB Batch	TM Batch
MAPPUT	X	X	X	X	X

Usage

The *mapname* variable name specifies the data mapping to use, a 1- to 16-character case-independent name. The *buffer* variable name is the REXX variable that will contain the resulting value.

Map names can also be specified in the REXXTDLI call in place of variable names to be fetched or read. This step is called an implicit MAPPUT and lets you avoid the explicit MAPPUT call. To indicate that a Map name is being passed in the DL/I call, precede the name with an asterisk (*), for example, ' ISRT IOPCB *OUTMAP '.

Note: If the data mapping is only partial and some fields in the record are not mapped to REXX variables, then the first field in the mapping should be a character type of length asterisk (*), as shown in the following code example. This step is the only way to ensure that non-mapped (skipped) fields are not lost between the MAPGET and MAPPUT calls, whether they be explicit or implicit.

This example uses explicit support.

```
Address REXXTDLI
'GHU DBPCB SegVar SSA1'           /* Read segment          */
If RC=0 Then Signal BadCall       /* Check for failure     */
Address REXXIMS 'MAPGET DBMAP SegVar' /* Decode Segment       */
DBM_Total = DBM_Total + Deposit_Amount /* Adjust Mapped Variable */
Address REXXIMS 'MAPPUT DBMAP SegVar' /* Encode Segment       */
'REPL DBPCB SegVar'             /* Update Database      */
If RC=0 Then Signal BadCall       /* Check for failure     */
```

This example uses implicit support.

```
Address REXXTDLI
'GHU DBPCB *DBMAP SSA1'         /* Read and decode segment if read */
If RC=0 Then Signal BadCall     /* Check for failure             */
DBM_Total = DBM_Total + Deposit_Amount /* Adjust Mapped Variable       */
'REPL DBPCB *DBMAP'            /* Update Database              */
If RC=0 Then Signal BadCall     /* Check for failure             */
```

If an error occurs during a MAPPUT, such as a Map field defined larger than the variable's contents, then the field is truncated. If the variable's contents are shorter than the field, the variable is padded:

Character (C)

Padded on right with blanks

Character (V)

Padded on right with zeros

Numeric (B,Z,P)

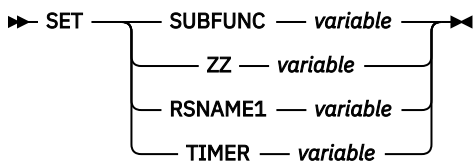
Padded on the left with zeros

If a MAP variable does not exist when a MAPPUT is processed, the variable and its position are skipped. All undefined and skipped fields default to binary zeros. A null parameter is parsed normally. Conversion of non-numeric or null fields to numeric field results in a value of 0 being used and no error.

SET

The SET command resets AIB subfunction values and ZZ values before you issue a DL/I call.

Format



Call Name	DB/DC	DBCTL	DCCTL	DB Batch	TM Batch
SET	X	X	X	X	X

Usage

The SET SUBFUNC command sets the AIB subfunction used on the next DL/I call. This value is used only if the next REXXTDLI call passes a PCB name. If the call does pass a PCB name, the IMS adapter for REXX places the subfunction name (1 to 8 characters or blank) in the AIB before the call is issued. This value initially defaults to blanks and is reset to blanks on completion of any REXXTDLI DL/I call.

The SET ZZ command is used to set the ZZ value used on a subsequent DL/I call. This command is most commonly used in IMS conversational transactions and terminal dependent applications to set the ZZ field to something other than the default of binary zeros. Use the SET command before an ISRT call that requires other than the default ZZ value.

If you are issuing a synchronous callout request by making an ICAL call, the following usage rules apply:

- The **SET SUBFUNC** command must be issued with the subfunction code set to SENDRECV.
- The **SET RSNAME1** command must be issued with the variable set to the OTMA Descriptor name.
- Optionally, the **SET TIMER** command can be issued to set the ICAL timeout value. The timeout value must be numeric and can contain up to six digits.

Examples

This example shows the SET SUBFUNC command used with the INQY call to get environment information.

```

IO="IOPCB"
Func = "ENVIRON"           /* Sub-Function Value */
Address REXXIMS "SET SUBFUNC Func" /* Set the value */
Address REXXTDLI "INQY IO EnviData" /* Make the DL/I Call */
IMS_Identifier = Substr(EnviData,1,8) /* Get IMS System Name*/
  
```

This example shows the SET ZZ command used with a conversational transaction for SPA processing.

```

Address REXXTDLI 'GU IOPCB SPA' /* Get first Segment */
Hold_ZZ = IMSQUERY('ZZ') /* Get ZZ Field (4 bytes) */
  
```

:

```

Address REXXIMS 'SET ZZ Hold_ZZ' /* Set ZZ for SPA ISRT */
Address REXXTDLI 'ISRT IOPCB SPA' /* ISRT the SPA */
  
```

This example shows the SET ZZ command used for setting 3270 Device Characteristics Flags.

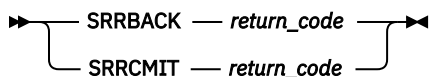
```

Bell_ZZ = '0040'X /* ZZ to Ring Bell on Term */
Address REXXIMS 'SET ZZ Bell_ZZ' /* Set ZZ for SPA ISRT */
Address REXXTDLI 'ISRT IOPCB Msg' /* ISRT the Message */
  
```

SRRBACK and SRRCMIT

The Common Programming Interface Resource Recovery (CPI-RR) commands allow an interface to use the SAA resource recovery interface facilities for back-out and commit processing.

Format



Call Name	DB/DC	DBCTL	DCCTL	DB Batch	TM Batch
SRRBACK, SRRCMIT	X		X		

Usage

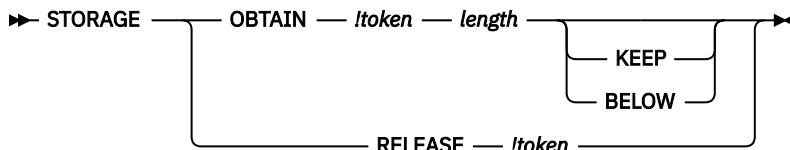
The return code from the SRR command is returned and placed in the *return_code* variable name as well as the REXX variable RC.

For more information on SRRBACK and SRRCMIT, see *IMS Version 15.5 Communications and Connections* and *SAA CPI Resource Recovery Reference*.

STORAGE

The STORAGE command allows the acquisition of system storage that can be used in place of variables for parameters to REXXTDLI and REXXIMS calls.

Format



Call Name	DB/DC	DBCTL	DCCTL	DB Batch	TM Batch
STORAGE	X	X	X	X	X

Usage

Although REXX allows variables to start with characters (!) and (#), these characters have special meanings on some commands. When using the REXXTDLI interface, you must not use these characters as the starting characters of variables.

The *!token* variable name identifies the storage, and it consists of an exclamation mark followed by a 1- to 16-character case-independent token name. The *length* variable name is a number or variable containing size in decimal to OBTAIN in the range 4 to 16777216 bytes (16 MB). The storage class has two possible override values, BELOW and KEEP, of which only one can be specified for any particular token. The BELOW function acquires the private storage below the 16 MB line. The KEEP function marks the token to be kept after this EXEC is terminated. The default action gets the storage in any location and frees the token when the EXEC is terminated.

Use the STORAGE command to get storage to use on DL/I calls when the I/O area must remain in a fixed location (for example, Spool API) or when it is not desirable to have the LLZZ processing. Once a token is allocated, you can use it in REXXTDLI DL/I calls or on the STORAGE RELEASE command.

When using STORAGE:

Example

This example shows how to write a simple message stored the REXX variable MSG.

```
Msg = 'Sample output message.'          /* Build Message      */
Address REXXIMS 'WTO Msg'                /* Tell Operator      */
Address REXXIMS 'WTP Msg'                /* Tell Programmer    */
Address REXXIMS 'WTL Msg'                /* Log It             */
```

WTOR

The WTOR command requests input or response from the z/OS system operator.

Format

►► WTOR — *message* — *response* ◄◄

Call Name	DB/DC	DBCTL	DCCTL	DB Batch	TM Batch
WTOR	X	X	X	X	X

Usage

The *message* variable name is a REXX variable containing the text that will be displayed on the z/OS console. The operator's response is placed in the REXX variable signified by the *response* variable name.

Attention: This command hangs the IMS region in which it is running until the operator responds.

Example

This example prompts the operator to enter ROLL or CONT on the z/OS master or alternate console. Once the WTOR is answered, the response is placed in the REXX variable name *response*, and the EXEC will continue and process the IF statement appropriately.

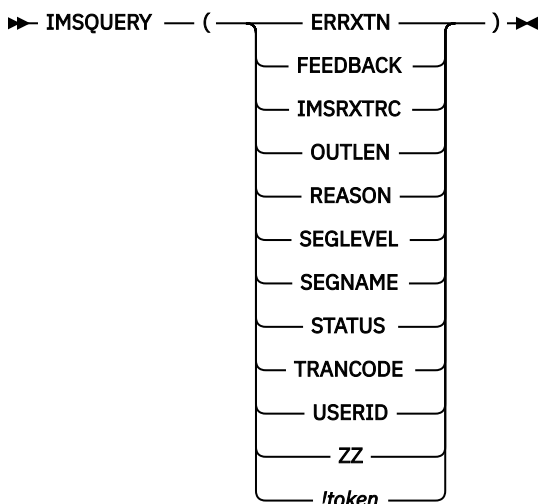
```
Msg = 'Should I ROLL or Continue. Reply "ROLL" or "CONT"'
Address REXXIMS 'WTOR Msg Resp'          /* Ask Operator      */
If Resp = 'ROLL' Then                    /* Tell Programmer  */
  Address REXXTDLI 'ROLL'                 /* Roll Out of this */
```

IMSQUERY extended functions

The IMSQUERY function is available to query certain IMS information either on the environment or on the prior DL/I call.

The IMSQUERY function can be used to check for the return and reason codes after a synchronous callout request is made using the ICAL call. If the return or reason code indicates that partial output data is being returned, you can issue the IMSQUERY function to retrieve the output data length and the error extension codes.

Format



Call Name	DB/DC	DBCTL	DCCTL	DB Batch	TM Batch
IMSQUERY	X	X	X	X	X

Usage

The format of the function call is: IMSQUERY(' Argument ') where Argument is one of the values in the following list.

Argument

Description of Data Returned

ERRXTN

The error extension code when an error response message is returned after a synchronous callout request is made using ICAL.

FEEDBACK

FEEDBACK area from current PCB.

IMSRXTRC

Current IMSRXTRC trace level #.

OUTLEN

The output length of the response message when a partial response is returned after a synchronous callout request is made using ICAL.

REASON

Reason code from last call (from AIB if used on last REXXTDLI type call).

SEGLEVEL

Segment level from current PCB (Last REXXTDLI call must be against a DB PCB, or null is returned).

SEGNAME

Segment name from current PCB (Last REXXTDLI call must be against a DB PCB, or null is returned).

STATUS

IMS status code from last executed REXXTDLI call (DL/I call). This argument is the two character status code from the PCB.

TRANCODE

Current transaction code being processed, if available.

USERID

Input terminal's user ID, if available. If running in a non-message-driven region, the value is dependent on the specification of the BMPUSID= keyword in the DFSDCxxx PROCLIB member:

- If BMPUSID=USERID is specified, the value from the USER= keyword on the JOB statement is used.

- If USER= is not specified on the JOB statement, the program's PSB name is used.
- If BMPUSID=PSBNAME is specified, or if BMPUSID= is not specified at all, the program's PSB name is used.

ZZ

ZZ (of LLZZ) from last REXXTDLI command. This argument can be used to save the ZZ value after you issue a GU call to the I/O PCB when the transaction is conversational.

!token

Address (in hexadecimal) and length of specified token (in decimal), separated by a blank.

This value can be placed in a variable or resolved from an expression. In these cases, the quotation marks should be omitted as shown below:

```
Token_Name="!MY_TOKEN"
AddrInfo=IMSQUERY(Token_Name)
/* OI */
AddrInfo=IMSQUERY("!MY_TOKEN")
```

Although the function argument is case-independent, no blanks are allowed within the function argument. You can use the REXX STRIP function on the argument, if necessary. IMSQUERY is the preferred syntax, however REXXIMS is supported and can be used, as well.

Example

```
If REXXIMS('STATUS')='GB' Then Signal End_of_DB
:
Hold_ZZ = IMSQUERY('ZZ')          /* Get current ZZ field*/
:
Parse Value IMSQUERY('!MYTOKEN') With My-Token_Addr My-Token_Len .
```

Related reference

[IMS Adapter for REXX exit routine \(DFSREXXU\) \(Exit Routines\)](#)

[“REXXTDLI commands” on page 350](#)

These topics contain REXX commands and describe how they apply to DL/I calls.

[“STORAGE” on page 364](#)

The STORAGE command allows the acquisition of system storage that can be used in place of variables for parameters to REXXTDLI and REXXIMS calls.

Sample execs using REXXTDLI

The following samples of REXX execs show how to use REXXTDLI to access IMS services.

The example sets are designed to highlight various features of writing IMS applications in REXX. The samples are simplified and might not reflect actual usage (for example, they do not use databases).

The PART exec database access example is a set of three execs that access the PART database, which is built by the IMS installation verification program (IVP). The first two execs in this example, PARTNUM and PARTNAME, are extensions of the PART transaction that runs the program DFSSAM02, which is supplied with IMS as part of IVP. The third exec is the DFSSAM01 exec supplied with IMS and is an example of the use of EXECIO within an exec.

SAY exec: for expression evaluation

The following code example is a listing of the SAY exec. SAY evaluates an expression supplied as an argument and displays the results.

The REXX command INTERPRET is used to evaluate the supplied expression and assign it to a variable. Then that variable is used in a formatted reply message.

Exec to do calculations

```
/* EXEC TO DO CALCULATIONS */
Address REXXTDLI
Arg Args
If Args='' Then
  Msg='SUPPLY EXPRESSION AFTER EXEC NAME.'
Else Do
  Interpret 'X='Args          /* Evaluate Expression */
  Msg='EXPRESSION:' Args '=' X
End
'ISRT IOPCB MSG'
Exit RC
```

This exec shows an example of developing applications with IMS Adapter for REXX . It also shows the advantages of REXX, such as dynamic interpretation, which is the ability to evaluate a mathematical expression at run-time.

A PDF EDIT session is shown in the following figure. This figure shows how you can enter a new exec to be executed under IMS.

```
EDIT ---- USER.PRIVATE.PROCLIB(SAY) - 01.03 ----- COLUMNS 001 072
COMMAND ==>                                     SCROLL ==> PAGE
***** ***** TOP OF DATA *****
000001 /* EXEC TO DO CALCULATIONS */
000002 Address REXXTDLI
000003 Arg Args
000004 If Args='' Then
000005   Msg='SUPPLY EXPRESSION AFTER EXEC NAME.'
000006 Else Do
000007   Interpret 'X='Args          /* Evaluate Expression */
000008   Msg='EXPRESSION:' Args '=' X
000009 End
000010
000011 'ISRT IOPCB MSG'
000012 Exit RC
***** ***** BOTTOM OF DATA *****
```

Figure 9. PDF EDIT session on the SAY exec

To execute the SAY exec, use IVPREXX and supply an expression such as:

```
IVPREXX SAY 5*5+7
```

This expression produces the output shown in the following figure.

```
EXPRESSION: 5*5+7 = 32
EXEC SAY ended with RC= 0
```

Figure 10. Example output from the SAY exec

PCBINFO exec: display available PCBs in current PSB

The PCB exec maps the PCBs available to the exec, which are the PCBs for the executing PSB.

The mapping consists of displaying the type of PCB (IO, TP, or DB), the LTERM or DBD name that is associated, and other useful information. PCB mappings are created by placing DFSREXX0 in an early concatenation library and renaming it to an existing application with a PSB/DBD generation.

```

IMS PCB System Information Exec: PCBINFO
System Date: 09/26/92    Time: 15:52:15

PCB # 1: Type=IO, LTERM=T3270LC  Status=   UserID=           OutDesc=DFSMO2
          Date=91269 Time=1552155
PCB # 2: Type=TP, LTERM=* NONE * Status=AD
PCB # 3: Type=TP, LTERM=* NONE * Status=
PCB # 4: Type=TP, LTERM=CTRL    Status=
PCB # 5: Type=TP, LTERM=T3275   Status=
EXEC PCBINFO ended with RC= 0

```

Figure 11. Example output of PCBINFO exec on a PSB without database PCBs

```

IMS PCB System Information Exec: PCBINFO
System Date: 09/26/92    Time: 15:53:34

PCB # 1: Type=IO, LTERM=T3270LC  Status=   UserID=           OutDesc=DFSMO2
          Date=89320 Time=1553243
PCB # 2: Type=DB, DBD =DI21PART Status=   Level=00 Opt=G
EXEC PCBINFO ended with RC= 0

```

Figure 12. Example output of PCBINFO exec on a PSB with a database PCB

PCBINFO exec listing

```

/* REXX EXEC TO SHOW SYSTEM LEVEL INFO */
Address REXXTDLI
Arg Dest .
WTO=(Dest='WTO')
Call SayIt 'IMS PCB System Information Exec: PCBINFO'
Call SayIt 'System Date:' Date('U') ' Time:' Time()
Call SayIt ' '
/* A DFS3162 message is given when this exec is run because it does */
/* not know how many PCBs are in the list and it runs until it gets */
/* an error return code. Note this does not show PCBs that are */
/* available to the PSB by name only, in other words, not in the PCB list. */
Msg='PCBINFO: Error message normal on DLIINFO.'
'WTP MSG'
Do i=1 by 1 until Result='LAST'
  Call SayPCB i
End
Exit 0

SayPCB: Procedure Expose WTO
Arg PCB
'DLIINFO DLIINFO #'PCB /* Get PCB Address */
If rc<0 Then Return 'LAST' /* Invalid PCB Number */
Parse Var DLIInfo . . AIBAddr PCBAddr .
PCBINFO=Storage(PCBAddr,255) /* Read PCB */
TPPCB=(Substr(PCBInfo,13,1)='00'x) /* Date Field, must be TP PCB */
If TPPCB then Do
  Parse Value PCBInfo with,
    LTERM 9 . 11 StatCode 13 CurrDate 17 CurrTime 21,
    InputSeq 25 OutDesc 33 UserID 41
  If LTERM='' then LTERM='* NONE *'
  CurrDate=Substr(c2x(CurrDate),3,5)
  CurrTime=Substr(c2x(CurrTime),1,7)
  If CurrDate='-000000' then Do
    Call SayIt 'PCB #'Right(PCB,2)': Type=IO, LTERM='LTERM,
      'Status='StatCode 'UserID='UserID 'OutDesc='OutDesc
    Call SayIt ' Date='CurrDate 'Time='CurrTime
  End
Else
  Call SayIt 'PCB #'Right(PCB,2)': Type=TP, LTERM='LTERM,
    'Status='StatCode
End
Else Do
  Parse Value PCBInfo with,
    DBDName 9 SEGLev 11 StatCode 13 ProcOpt 17 . 21 Segname . 29,
    KeyLen 33 NumSens 37
  KeyLen = c2d(KeyLen)
  NumSens= c2d(NumSens)
  Call SayIt 'PCB #'Right(PCB,2)': Type=DB, DBD ='DBDName,

```

```

                'Status='StatCode 'Level='SegLev 'Opt='ProcOpt
End
Return '

SayIt: Procedure Expose WTO
Parse Arg Msg
If WTO Then
    'WTO MSG'
Else
    'ISRT IOPCB MSG'
Return

```

Related reference

[“DLIINFO” on page 357](#)

The DLIINFO call requests information from the last DL/I call or on a specific PCB.

PART execs: database access examples

This set of execs accesses the PART database shipped with IMS. These execs demonstrate fixed-record database reading, SSAs, and many REXX functions. The PART database execs (PARTNUM, PARTNAME, and DFSSAM01) are also described.

The PARTNUM exec is used to show part numbers that begin with a number equal to or greater than the number you specify. An example output screen is shown in the figure below.

To list part numbers beginning with the number "300" or greater, enter the command:

```
PARTNUM 300
```

All part numbers that begin with a 300 or larger numbers are listed. The listing is shown in the figure below.

```

IMS Parts DATABASE Transaction
System Date: 02/16/92    Time: 23:28:41

Request: Display 5 Parts with Part_Number >= 300
 1 Part=3003802          Desc=CHASSIS
 2 Part=3003806          Desc=SWITCH
 3 Part=3007228          Desc=HOUSING
 4 Part=3008027          Desc=CARD FRONT
 5 Part=3009228          Desc=CAPACITOR

EXEC PARTNUM ended with RC= 0

```

Figure 13. Example output of PARTNUM exec

PARTNAME is used to show part names that begin with a specific string of characters.

To list part names beginning with "TRAN", enter the command:

```
PARTNAME TRAN
```

All part names that begin with "TRAN" are listed on the screen. The screen is shown in the following figure.

```

IMS Parts DATABASE Transaction
System Date: 02/16/92    Time: 23:30:09

Request: Display 5 Parts with Part Name like TRAN
 1 Part=250239           Desc=TRANSISTOR
 2 Part=7736847P001     Desc=TRANSFORMER
 3 Part=975105-001      Desc=TRANSFORMER
 4 Part=989036-001      Desc=TRANSFORMER
End of DataBase reached before 5 records shown.

EXEC PARTNAME ended with RC= 0

```

Figure 14. Example output of PARTNAME exec

The DFSSAM01 exec is used to load the parts database. This exec is executed in batch, is part of the IVP, and provides an example of EXECIO usage in an exec.

Related Reading: For details, see *IMS Version 15.5 Installation*.

PARTNUM exec: show set of parts near a specified number

The following code example is designed to be run by the IVPREXX exec with PSB=DFSSAM02.

PARTNUM exec: show set of parts near a specified number

```

/* REXX EXEC TO SHOW A SET OF PARTS NEAR A SPECIFIED NUMBER */
/* Designed to be run by the IVPREXX exec with PSB=DFSSAM02 */
/* Syntax: IVPREXX PARTNUM string <start#> */

Address REXXTDLI
IOPCB='IOPCB' /* PCB Name */
DataBase='#2' /* PCB # */
RootSeg_Map = 'PNUM C 15 3 : DESCRIPTION C 20 27'
'MAPDEF ROOTSEG ROOTSEG_MAP'
Call SayIt 'IMS Parts DATABASE Transaction'
Call SayIt 'System Date:' Date('U') ' Time:' Time()
Call Sayit ' '

Arg PartNum Segs .
If -DataType(Segs,'W') then Segs=5 /* default view amount */

PartNum=Left(PartNum,15) /* Pad to 15 with Blanks */
If PartNum='' then
  Call Sayit 'Request: Display first' Segs 'Parts in the DataBase'
Else
  Call Sayit 'Request: Display' Segs 'Parts with Part_Number >=' PartNum
SSA1='PARTROOT(PARTKEY >=02'PartNum) '
'GU DATABASE *ROOTSEG SSA1'
Status=IMSQUERY('STATUS')
If Status='GE' then Do /* Segment Not Found */
  Call Sayit 'No parts found with larger Part_Number'
  Exit 0
End
Do i=1 to Segs While Status=' '
  Call Sayit Right(i,2) 'Part='PNum ' Desc='Description
  'GN DATABASE *ROOTSEG SSA1'
  Status=IMSQUERY('STATUS')
End
If Status='GB' then
  Call SayIt 'End of DataBase reached before' Segs 'records shown.'
Else If Status~=' ' then Signal BadCall
Call Sayit ' '
Exit 0

SayIt: Procedure Expose IOPCB
  Parse Arg Msg
  'ISRT IOPCB MSG'
  If RC~=0 then Signal BadCall
Return

BadCall:
  'DLIINFO INFO'
  Parse Var Info Call PCB . . . . Status .
  Msg = 'Unresolved Status Code' Status,
  'on' Call 'on PCB' PCB
  'ISRT IOPCB MSG'
Exit 99

```

PARTNAME exec: show a set of parts with a similar name

The REXX exec shown in the following code example is designed to be run by the IVPREXX exec with PSB=DFSSAM02.

The following PARTNAME exec code is used to show parts with similar names.

```

/* REXX EXEC TO SHOW ALL PARTS WITH A NAME CONTAINING A STRING */
/* Designed to be run by the IVPREXX exec with PSB=DFSSAM02 */
/* Syntax: IVPREXX PARTNAME string <#parts> */

```



```

Arg PartName Segs .
Address REXXIMS
Term      = 'IOPCB'          /* PCB Name */
DataBase='DBPCB01'         /* PCB Name for Parts Database */

Call SayIt 'IMS Parts DATABASE Transaction'
Call SayIt 'System Date:' Date('U') ' Time:' Time()
Call SayIt ' '

If ~DataType(Segs,'W') & Segs~='*' then Segs=5
If PartName='' then Do
    Call SayIt 'Please supply the first few characters of the part name'
    Exit 0
End

Call SayIt 'Request: Display' Segs 'Parts with Part Name like' PartName
SSA1='PARTROOT '
'GU DATABASE ROOT_SEG SSA1'
Status=REXXIMS('STATUS')
i=0
Do While RC=0 & (i<Segs | Segs~='*')
    Parse Var Root_Seg 3 PNum 18 27 Description 47
    'GN DATABASE ROOT_SEG SSA1'
    Status=REXXIMS('STATUS')
    If RC~=0 & Status~='GB' Then Leave
    If Index(Description,PartName)=0 then Iterate
    i=i+1
    Call SayIt Right(i,2)' Part='PNum ' Desc='Description'
End
If RC~=0 & Status~='GB' Then Signal BadCall
If i<Segs & Segs~='*' then
    Call SayIt 'End of DataBase reached before' Segs 'records shown.'
Call SayIt ' '
Exit 0

SayIt: Procedure Expose Term
    Parse Arg Msg
    'ISRT Term MSG'
    If RC~=0 then Signal BadCall
Return

BadCall:
    Call "DFSSUT04" Term
Exit 99

```

DFSSAM01 exec: load the parts database

For the latest version of the DFSSAM01 source code, see the IMS.ADFSEXEC distribution library; member name is DFSSAM01.

DOCMD: IMS commands front end

DOCMD is an automatic operator interface (AOI) transaction program that issues IMS commands and allows dynamic filtering of their output. The term dynamic means that you use the headers for the command as the selectors (variable names) in the filter expression (Boolean expression resulting in 1 if line is to be displayed and 0 if it is not).

This listing is shown in the code example at the end of this topic.

Not all commands are allowed through transaction AOI, and some setup needs to be done to use this AOI.

Some examples of DOCMD are given in the following figures.

```

Please supply an IMS Command to execute.
EXEC DOCMD ended with RC= 0

```

Figure 15. Output from => DOCMD

```

Headers being shown for command: /DIS NODE ALL
Variable (header) #1 = RECTYPE
Variable (header) #2 = NODE_SUB
Variable (header) #3 = TYPE
Variable (header) #4 = CID
Variable (header) #5 = RECD
Variable (header) #6 = ENQCT
Variable (header) #7 = DEQCT
Variable (header) #8 = QCT
Variable (header) #9 = SENT
EXEC DOCMD ended with RC= 0

```

Figure 16. Output from => DOCMD /DIS NODE ALL;?

```

Selection criteria =>CID>0<= Command: /DIS NODE ALL
NODE_SUB TYPE CID RECD ENQCT DEQCT QCT SENT
L3270A 3277 01000004 5 19 19 0 26 IDLE CON
L3270C 3277 01000005 116 115 115 0 122 CON
Selected 2 lines from 396 lines.
DOCMD Executed 402 DL/I calls in 2.096787 seconds.
EXEC DOCMD ended with RC= 0

```

Figure 17. Output from => DOCMD /DIS NODE ALL;CID>0

```

Selection criteria =>TYPE=SLU2<= Command: /DIS NODE ALL
NODE_SUB TYPE CID RECD ENQCT DEQCT QCT SENT
WRIGHT SLU2 00000000 0 0 0 0 0 IDLE
Q3290A SLU2 00000000 0 0 0 0 0 IDLE
Q3290B SLU2 00000000 0 0 0 0 0 IDLE
Q3290C SLU2 00000000 0 0 0 0 0 IDLE
Q3290D SLU2 00000000 0 0 0 0 0 IDLE
V3290A SLU2 00000000 0 0 0 0 0 IDLE
V3290B SLU2 00000000 0 0 0 0 0 IDLE
H3290A SLU2 00000000 0 0 0 0 0 IDLE
H3290B SLU2 00000000 0 0 0 0 0 IDLE
E32701 SLU2 00000000 0 0 0 0 0 IDLE
E32702 SLU2 00000000 0 0 0 0 0 IDLE
E32703 SLU2 00000000 0 0 0 0 0 IDLE
E32704 SLU2 00000000 0 0 0 0 0 IDLE
E32705 SLU2 00000000 0 0 0 0 0 IDLE
ADLU2A SLU2 00000000 0 0 0 0 0 IDLE
ADLU2B SLU2 00000000 0 0 0 0 0 IDLE
ADLU2C SLU2 00000000 0 0 0 0 0 IDLE
ADLU2D SLU2 00000000 0 0 0 0 0 IDLE
ADLU2E SLU2 00000000 0 0 0 0 0 IDLE
ADLU2F SLU2 00000000 0 0 0 0 0 IDLE
ADLU2X SLU2 00000000 0 0 0 0 0 IDLE
ENDS01 SLU2 00000000 0 0 0 0 0 IDLE
ENDS02 SLU2 00000000 0 0 0 0 0 IDLE
ENDS03 SLU2 00000000 0 0 0 0 0 IDLE
ENDS04 SLU2 00000000 0 0 0 0 0 IDLE
ENDS05 SLU2 00000000 0 0 0 0 0 IDLE
ENDS06 SLU2 00000000 0 0 0 0 0 IDLE
NDSL2A1 SLU2 00000000 0 0 0 0 0 ASR IDLE
NDSL2A2 SLU2 00000000 0 0 0 0 0 ASR IDLE
NDSL2A3 SLU2 00000000 0 0 0 0 0 ASR IDLE
NDSL2A4 SLU2 00000000 0 0 0 0 0 ASR IDLE
NDSL2A5 SLU2 00000000 0 0 0 0 0 IDLE
NDSL2A6 SLU2 00000000 0 0 0 0 0 ASR IDLE
OMSSLU2A SLU2 00000000 0 0 0 0 0 IDLE
Selected 34 lines from 396 lines.
DOCMD Executed 435 DL/I calls in 1.602206 seconds.
EXEC DOCMD ended with RC= 0

```

Figure 18. Output from => DOCMD /DIS NODE ALL;TYPE=SLU2

```

Selection criteria =>ENQCT>0 & RECTYPE='T02'<= Command: /DIS TRAN ALL
  TRAN  CLS ENQCT  QCT  LCT  PLCT CP NP LP SEGSZ SEGNO PARLM RC
TACP18   1  119    0 65535 65535 1 1 1    0    0 NONE  1
Selected 1 lines from 1104 lines.
DOCMD Executed 1152 DL/I calls in 5.780977 seconds.
EXEC DOCMD ended with RC= 0

```

Figure 19. Output from => DOCMD /DIS TRAN ALL;ENQCT>0 & RECTYPE='T02'

```

Selection criteria =>ENQCT>0<= Command: /DIS LTERM ALL
LTERM  ENQCT  DEQCT  QCT
CTRL   19    19    0
T3270LC 119   119    0
Selected 2 lines from 678 lines.
DOCMD Executed 681 DL/I calls in 1.967670 seconds.
EXEC DOCMD ended with RC= 0

```

Figure 20. Output from => DOCMD /DIS LTERM ALL;ENQCT>0

The source code for the DOCMD exec is shown in the following code example.

DOCMD exec: process an IMS command

```

/*****
/* A REXX EXEC that executes an IMS command and parses the
/* output by a user supplied criteria.
/*
/*
/*****
/* Format:  tranname DOCMD IMS-Command;Expression
/* Where:
/*   tranname is the tranname of a command capable transaction that
/*   will run the DFSREXX program.
/*   IMS-Command is any valid IMS command that generates a table of
/*   output like /DIS NODE ALL or /DIS TRAN ALL
/*   Expression is any valid REXX expression, using the header names
/*   as the variables, like CID>0 or SEND=0 or more
/*   complex like CID>0 & TYPE=SLU2
/* Example: TACP18 DOCMD DIS A           Display active
/*          TACP18 DOCMD DIS NODE ALL;?   See headers of DIS NODE
/*          TACP18 DOCMD DIS NODE ALL;CID>0 Show active Nodes
/*          TACP18 DOCMD DIS NODE ALL;CID>0;SYSOUT Output to SYSOUT
/*          TACP18 DOCMD DIS NODE ALL;CID>0 & TYPE='SLU2'
/*****
Address REXXTDLI
Parse Upper Arg Cmd ';' Expression ';' SysOut
Cmd=Strip(Cmd);
Expression=Strip(Expression)
SysOut=(SysOut-='')
If Cmd='' Then Do
  Call SayIt 'Please supply an IMS Command to execute.'
  Exit 0
End
AllOpt= (Expression='ALL')
If AllOpt then Expression=''
If Left(Cmd,1)~='/' then Cmd='/'Cmd /* Add a slash if necessary */
If Expression='' Then
  Call SayIt 'No Expression supplied, all output shown',
  'from:' Cmd
Else If Expression='?' Then
  Call SayIt 'Headers being shown for command:' Cmd
Else
  Call SayIt 'Selection criteria =>'Expression'<=',
  'Command:' Cmd

x=Time('R'); Calls=0
ExitRC= ParseHeader(Cmd,Expression)
If ExitRC=0 then Exit ExitRC
If Expression='?' Then Do
  Do i=1 to Vars.0
    Call SayIt 'Variable (header) #'i '=' Vars.i
    Calls=Calls+1
  End
End
End

```

```

Else Do
  Call ParseCmd Expression
  Do i=1 to Line.0
    If AllOpt then Line=Line.i
    Else Line=Substr(Line.i,5)
    If SysOut then Do
      Push Line
      'EXECIO 1 DISKW DOCMD'
    End
    Else Do
      Call SayIt Line
      Calls=Calls+1
    End
  End
  End
  If SysOut then Do
    'EXECIO 0 DISKW DOCMD ( FINIS'
  End
  If Expression='' then
    Call SayIt 'Selected' Line.0-1 'lines from',
      LinesAvail 'lines.'
  Else
    Call SayIt 'Total lines of output:' Line.0-1
    Call SayIt 'DOCMD Executed' Calls 'DL/I calls in',
      Time('E') 'seconds.'
  End
End
Exit 0

ParseHeader:
  CurrCmd=Arg(1)
  CmdCnt=0
  'CMD IOPCB CURRCMD'
  CmdS= IMSQUERY('STATUS')
  Calls=Calls+1
  If CmdS=' ' then Do
    Call SayIt 'Command Executed, No output available.'
    Return 4
  End
  Else If CmdS='CC' then Do
    Call SayIt 'Error Executing Command, Status='CmdS
    Return 16
  End
  CurrCmd=Translate(CurrCmd,' ','15'x) /* Drop special characters */
  CurrCmd=Translate(CurrCmd,'_','-/') /* Drop special characters */
  CmdCnt=CmdCnt+1
  Interpret 'LINE.'||CmdCnt '= Strip(CurrCmd)'
  Parse Var CurrCmd RecType Header
  If Expression='' then Nop
  Else If Right(RecType,2)='70' then Do
    Vars.0=Words(Header)+1
    Vars.1 = "RECTYPE"
    Do i= 2 to Vars.0
      Interpret 'VARS.'i '= "'Word(CurrCmd,i)'"'
    End
  End
  Else Do
    Call SayIt 'Command did not produce a header',
      'record, first record's type='RecType
    Return 12
  End
Return 0

ParseCmd:
  LinesAvail=0
  CurrExp=Arg(1)
  Do Forever
    'GCMD IOPCB CURRCMD'
    CmdS= IMSQUERY('STATUS')
    Calls=Calls+1
    If CmdS=' ' then Leave
    /* Skip Time Stamps */
    If Word(CurrCmd,1)='X99' & Expression='' then Iterate
    LinesAvail=LinesAvail+1
    CurrCmd=Translate(CurrCmd,' ','15'x)/* Drop special characters */
    If Expression='' then OK=1
    Else Do
      Do i= 1 to Vars.0
        Interpret Vars.i '= "'Word(CurrCmd,i)'"'
      End
      Interpret 'OK='Expression
    End
    If OK then Do
      CmdCnt=CmdCnt+1

```

```

        Interpret 'LINE.'||CmdCnt '= Strip(CurrCmd)'
    End
End
Line.0 = CmdCnt
If CmdS-='QD' Then
    Call SayIt 'Error Executing Command:',
              Arg(1) 'Stat='CmdS
Return

SayIt: Procedure
    Parse Arg Line
    'ISRT IOPCB LINE'
Return RC

```

Related concepts

[IMS security \(System Administration\)](#)

IVPREXX sample application

The IVPREXX exec is a front-end generic exec that is shipped with IMS as part of the IVP. It runs other execs by passing the exec name to execute after the TRANCODE (IVPREXX). For the latest version of the IVPREXX source code, look for the IVPREXX member in the IMS.ADFSEXEC distribution library.

To use the IVPREXX driver sample program in a message-driven BMP or IFP environment, specify IVPREXX as the program name and PSB name in the parameter list of the IMS region program. Specifying IVPREXX loads the IVPREXX load module, which is a copy of the DFSREXX0 front-end program. The IVPREXX program loads and runs an EXEC named IVPREXX that uses message segments sent to the transaction as arguments to derive the EXEC to call or the function to perform.

Interactions with IVPREXX from an IMS terminal are shown in the following examples:

IVPREXX example 1

Entry:

```
IVPREXX execname
```

or

```
IVPREXX execname arguments
```

Response:

```
EXEC execname ended with RC= x
```

IVPREXX example 2

Entry:

```
IVPREXX LEAVE
```

Response:

```
Transaction IVPREXX leaving dependent region.
```

IVPREXX example 3

Entry:

```
IVPREXX HELLOHELLO
```

Response:

One-to-eight character EXEC name must be specified.

IVPREXX example 4

Entry:

```
IVPREXX
```

or

```
IVPREXX ?
```

Response:

```
TRANCODE EXECNAME <Arguments> Run specified EXEC
TRANCODE LEAVE                Leave Dependent Region
TRANCODE TRACE level          0=None,1=Some,2=More,3=Full
TRANCODE ROLL                 Issue ROLL call
```

When an EXEC name is supplied, all of the segments it inserts to the I/O PCB are returned before the completion message is returned.

REXX return codes (RC) in the range of 20000 to 20999 are usually syntax or other REXX errors. Check the z/OS system console or region output for more details.

Related reading: For more information about REXX errors and messages, see *z/OS TSO/E REXX Reference*.

Stopping an infinite loop

To stop an EXEC that is in an infinite loop, you can enter either of the following IMS commands from the master terminal or system console:

```
/STO REGION p1 ABDUMP p2
```

```
/STO REGION p1 CANCEL
```

In these examples, *p1* is the region number and *p2* is the TRANCODE that the EXEC is running under. Use the `/DISPLAY ACTIVE` command to find the region number. This technique is not specific to REXX EXECs and can be used on any transaction that is caught in an infinite loop.

Related concepts

[“IMS Adapter for REXX reference” on page 347](#)

The IMS adapter for REXX (REXXTDLI) provides an environment in which IMS users can interactively develop REXX EXECs under TSO/E (time-sharing option extensions) and execute them in IMS MPPs, BMPs, IFPs, or Batch regions.

Chapter 4. Java programming reference

These topics contain reference information for the classes, interfaces, and methods supported by the IMS solutions for Java development.

IMS Universal drivers support for JDBC

The IMS Universal JDBC driver and the IMS Universal JCA/JDBC driver supports the following methods in the JDBC 4.0 specifications.

Related concepts

[Programming with the IMS Universal JDBC driver \(Application Programming\)](#)

[Programming using the IMS Universal Database resource adapter \(Application Programming\)](#)

javax.sql.Clob methods supported

The `javax.sql.Clob` interface represents the mapping in Java for the SQL CLOB type. In Java applications that use the IMS Universal drivers, the Clob data type is supported only for the retrieval and storage of XML data.

The following table describes which methods are supported by the IMS Universal JDBC driver and the IMS Universal JCA/JDBC driver for the `Clob` interface.

Table 93. IMS Universal JDBC driver and IMS Universal JCA/JDBC driver support for the Clob interface

JDBC method	IMS Universal JDBC driver and IMS Universal JCA/JDBC driver support
<code>free()</code>	No
<code>getAsciiStream()</code>	Yes
<code>getCharacterStream()</code>	Yes
<code>getCharacterStream(long pos, long length)</code>	No
<code>getSubString(long pos, int length)</code>	Yes
<code>length()</code>	Yes
<code>position(Clob searchstr, long start)</code>	No
<code>position(String searchstr, long start)</code>	No
<code>setAsciiStream(long pos)</code>	No
<code>setCharacterStream(long pos)</code>	No
<code>setString(long pos, String str)</code>	No
<code>setString(long pos, String str, int offset, int len)</code>	No
<code>truncate(long len)</code>	No

java.sql.Connection methods supported

The `Connection` object represents a connection (session) with a specific database.

The following table lists the methods that are supported by the IMS JDBC drivers for the `Connection` interface.

Table 94. IMS JDBC drivers support for Connection

JDBC method	IMS Universal JDBC driver and IMS Universal JCA/JDBC driver support
clearWarnings()	Yes
close()	Yes
commit()	Yes
createStatement()	Yes
createStatement(int resultSetType, int resultSetConcurrency)	Yes
createStatement(int resultSetType, int resultSetConcurrency, int resultSetHoldability)	Yes
getAutoCommit()	Yes
getCatalog()	Yes
getHoldability()	Yes
getMetaData()	Yes
getTransactionIsolation()	Yes
getTypeMap()	Yes
getWarnings()	Yes
isClosed()	Yes
isReadOnly()	Yes
nativeSQL(String sql)	Yes
prepareCall(String sql)	No
prepareCall(String sql, int resultSetType, int resultSetConcurrency)	No
prepareCall(String sql, int resultSetType, int resultSetConcurrency, int resultSetHoldability)	No
prepareStatement(String sql)	Yes
prepareStatement(String sql, int autoGeneratedKeys)	No
prepareStatement(String sql, int[] columnIndexes)	No
prepareStatement(String sql, int resultSetType, int resultSetConcurrency)	Yes
prepareStatement(String sql, int resultSetType, int resultSetConcurrency, int resultSetHoldability)	Yes
prepareStatement(String sql, String[] columnNames)	No
releaseSavepoint(Savepoint savepoint)	No
rollback()	Yes
rollback(Savepoint savepoint)	No
setAutoCommit(boolean autoCommit)	Yes
setCatalog(String catalog)	Yes
setHoldability(int holdability)	Yes
setReadOnly(boolean readOnly)	Yes
setSavepoint()	No
setTransactionIsolation(int level)	Yes
setTypeMap(Map<String,Class<?>> map)	No

Related concepts

[Programming with the IMS Universal JDBC driver \(Application Programming\)](#)

java.sql.DatabaseMetaData methods supported

The DatabaseMetaData interface provides comprehensive information about the database as a whole.

The following methods are supported by the IMS JDBC drivers for the DatabaseMetaData interface.

Table 95. IMS JDBC drivers support for DatabaseMetaData

JDBC method	IMS Universal JDBC driver and IMS Universal JCA/JDBC driver support
allProceduresAreCallable()	Yes
allTablesAreSelectable()	Yes
dataDefinitionCausesTransactionCommit()	Yes
dataDefinitionIgnoredInTransactions()	Yes
deletesAreDetected(int type)	Yes
doesMaxRowSizeIncludeBlobs()	Yes
getAttributes(String catalog, String schemaPattern, String typeNamePattern, String attributeNamePattern)	Yes
getBestRowIdentifier(String catalog, String schema, String table, int scope, boolean nullable)	Yes
getCatalogs()	Yes A second column, TIMESTAMP, is added to the returned Resultset object as a String that represents the PSB timestamp.
getCatalogSeparator()	Yes
getCatalogTerm()	Yes
getColumnPrivileges(String catalog, String schema, String table, String columnNamePattern)	Yes
getColumns(String catalog, String schemaPattern, String tableNamePattern, String columnNamePattern)	Yes
getConnection()	Yes
getCrossReference(String primaryCatalog, String primarySchema, String primaryTable, String foreignCatalog, String foreignSchema, String foreignTable)	Yes
getDatabaseMajorVersion()	Yes
getDatabaseMinorVersion()	Yes
getDatabaseProductName()	Yes
getDatabaseProductVersion()	Yes
getDefaultTransactionIsolation()	Yes
getDriverMajorVersion()	Yes
getDriverMinorVersion()	Yes
getDriverName()	Yes
getDriverVersion()	Yes
getExportedKeys(String catalog, String schema, String table)	Yes
getExtraNameCharacters()	Yes
getIdentifierQuoteString()	Yes
getImportedKeys(String catalog, String schema, String table)	Yes
getIndexInfo(String catalog, String schema, String table, boolean unique, boolean approximate)	Yes
getJDBCMajorVersion()	Yes
getJDBCMinorVersion()	Yes
getMaxBinaryLiteralLength()	Yes
getMaxCatalogNameLength()	Yes
getMaxCharLiteralLength()	Yes

Table 95. IMS JDBC drivers support for DatabaseMetaData (continued)

JDBC method	IMS Universal JDBC driver and IMS Universal JCA/JDBC driver support
getMaxColumnNameLength()	Yes
getMaxColumnsInGroupBy()	Yes
getMaxColumnsInIndex()	Yes
getMaxColumnsInOrderBy()	Yes
getMaxColumnsInSelect()	Yes
getMaxColumnsInTable()	Yes
getMaxConnections()	Yes
getMaxCursorNameLength()	Yes
getMaxIndexLength()	Yes
getMaxProcedureNameLength()	Yes
getMaxRowSize()	Yes
getMaxSchemaNameLength()	Yes
getMaxStatementLength()	Yes
getMaxStatements()	Yes
getMaxTableNameLength()	Yes
getMaxTablesInSelect()	Yes
getMaxUserNameLength()	Yes
getNumericFunctions()	Yes
getPrimaryKeys(String catalog, String schema, String table)	Yes
getProcedureColumns(String catalog, String schemaPattern, String procedureNamePattern, String columnNamePattern)	Yes
getProcedures(String catalog, String schemaPattern, String procedureNamePattern)	Yes
getProcedureTerm()	Yes
getResultSetHoldability()	Yes
getSchemas()	Yes The following columns are added as column 3, 4, and 5: <ul style="list-style-type: none"> • Column 3: PCB_PROCESSING_OPTIONS, a String that represents PCB procopts • Column 4: DBD_NAME, a String that represents the referenced DBD name • Column 5: DBD_TIMESTAMP, a String that represents the referenced DBD timestamp
getSchemaTerm()	Yes
getSearchStringEscape()	Yes
getSQLKeywords()	Yes
getStringFunctions()	Yes
getSuperTables(String catalog, String schemaPattern, String tableNamePattern)	Yes
getSuperTypes(String catalog, String schemaPattern, String typeNamePattern)	Yes
getSystemFunctions()	Yes
getTablePrivileges(String catalog, String schemaPattern, String tableNamePattern)	Yes
getTables(String catalog, String schemaPattern, String tableNamePattern, String[] types)	Yes
getTableTypes()	Yes
getTimeDateFunctions()	Yes
getTypeInfo()	Yes

Table 95. IMS JDBC drivers support for DatabaseMetaData (continued)

JDBC method	IMS Universal JDBC driver and IMS Universal JCA/JDBC driver support
getUDTs(String catalog, String schemaPattern, String typeNamePattern, int[] types)	Yes
getURL()	Yes
getUserName()	Yes
getVersionColumns(String catalog, String schema, String table)	Yes
insertsAreDetected(int type)	Yes
isCatalogAtStart()	Yes
isReadOnly()	Yes
locatorsUpdateCopy()	Yes
nullPlusNonNullIsNull()	Yes
nullsAreSortedAtEnd()	Yes
nullsAreSortedAtStart()	Yes
nullsAreSortedLow()	Yes
othersDeletesAreVisible(int type)	Yes
othersInsertsAreVisible(int type)	Yes
othersUpdatesAreVisible(int type)	Yes
ownDeletesAreVisible(int type)	Yes
ownInsertsAreVisible(int type)	Yes
ownUpdatesAreVisible(int type)	Yes
storesLowerCaseIdentifiers()	Yes
storesLowerCaseQuotedIdentifiers()	Yes
storesMixedCaseIdentifiers()	Yes
storesMixedCaseQuotedIdentifiers()	Yes
storesUpperCaseIdentifiers()	Yes
storesUpperCaseQuotedIdentifiers()	Yes
supportsAlterTableWithAddColumn()	Yes
supportsAlterTableWithDropColumn()	Yes
supportsANSI92EntryLevelSQL()	Yes
supportsANSI92FullSQL()	Yes
supportsANSI92IntermediateSQL()	Yes
supportsBatchUpdates()	Yes
supportsCatalogsInDataManipulation()	Yes
supportsCatalogsInIndexDefinitions()	Yes
supportsCatalogsInPrivilegeDefinitions()	Yes
supportsCatalogsInProcedureCalls()	Yes
supportsCatalogsInTableDefinitions()	Yes
supportsColumnAliasing()	Yes
supportsConvert()	Yes
supportsConvert(int fromType, int toType)	Yes
supportsCoreSQLGrammar()	Yes
supportsCorrelatedSubqueries()	Yes
supportsDataDefinitionAnd DataManipulationTransactions()	Yes
supportsDataManipulationTransactionsOnly()	Yes

Table 95. IMS JDBC drivers support for DatabaseMetaData (continued)

JDBC method	IMS Universal JDBC driver and IMS Universal JCA/JDBC driver support
supportsDifferentTableCorrelationNames()	Yes
supportsExpressionsInOrderBy()	Yes
supportsExtendedSQLGrammar()	Yes
supportsFullOuterJoins()	Yes
supportsGetGeneratedKeys()	Yes
supportsGroupByBeyondSelect()	Yes
supportsGroupByUnrelated()	Yes
supportsIntegrityEnhancementFacility()	Yes
supportsLikeEscapeClause()	Yes
supportsLimitedOuterJoins()	Yes
supportsMinimumSQLGrammar()	Yes
supportsMixedCaseIdentifiers()	Yes
supportsMixedCaseQuotedIdentifiers()	Yes
supportsMultipleOpenResults()	Yes
supportsMultipleResultSets()	Yes
supportsMultipleTransactions()	Yes
supportsNamedParameters()	Yes
supportsNonNullableColumns()	Yes
supportsOpenCursorsAcrossCommit()	Yes
supportsOpenCursorsAcrossRollback()	Yes
supportsOpenStatementsAcrossCommit()	Yes
supportsOpenStatementsAcrossRollback()	Yes
supportsOrderByUnrelated()	Yes
supportsOuterJoins()	Yes
supportsPositionedDelete()	Yes
supportsPositionedUpdate()	Yes
supportsResultSetConcurrency(int type, int concurrency)	Yes
supportsResultSetHoldability(int holdability)	Yes
supportsResultSetType(int type)	Yes
supportsSavepoints()	Yes
supportsSchemasInDataManipulation()	Yes
supportsSchemasInIndexDefinitions()	Yes
supportsSchemasInPrivilegeDefinitions()	Yes
supportsSchemasInProcedureCalls()	Yes
supportsSchemasInTableDefinitions()	Yes
supportsSelectForUpdate()	Yes
supportsStatementPooling()	Yes
supportsStoredProcedures()	Yes
supportsSubqueriesInComparisons()	Yes
supportsSubqueriesInExists()	Yes
supportsSubqueriesInIns()	Yes
supportsSubqueriesInQuantifieds()	Yes
supportsTableCorrelationNames()	Yes

Table 95. IMS JDBC drivers support for DatabaseMetaData (continued)

JDBC method	IMS Universal JDBC driver and IMS Universal JCA/JDBC driver support
supportsTransactionIsolationLevel(int level)	Yes
supportsTransactions()	Yes
supportsUnion()	Yes
supportsUnionAll()	Yes
updatesAreDetected(int type)	Yes
usesLocalFilePerTable()	Yes
usesLocalFiles()	Yes

Related concepts

[Programming with the IMS Universal JDBC driver \(Application Programming\)](#)

javax.sql.DataSource methods supported

A DataSource object is a factory for connections to the physical data source that this DataSource object represents.

The following table list which methods are supported by the IMS Universal JDBC driver and the IMS Universal JCA/JDBC driver for the DataSource interface.

Table 96. IMS Universal JDBC driver and IMS Universal JCA/JDBC driver support for DataSource

JDBC method	IMS Universal JDBC driver and IMS Universal JCA/JDBC driver support
getConnection()	Yes
getConnection(String username, String password)	Yes
getLoginTimeout()	Yes
getLogWriter()	Yes
setLoginTimeout(int seconds)	Yes
setLogWriter(PrintWriter out)	Yes

Related concepts

[Programming with the IMS Universal JDBC driver \(Application Programming\)](#)

java.sql.Driver methods supported

The Driver class is used for connecting to a database using the JDBC DriverManager interface.

The following methods are supported by the IMS JDBC drivers for the Driver interface.

Table 97. IMS JDBC drivers support for Driver

JDBC method	IMS Universal JDBC driver and IMS Universal JCA/JDBC driver support
acceptsURL(String url)	Yes
connect(String url, Properties info)	Yes
getMajorVersion()	Yes
getMinorVersion()	Yes
getPropertyInfo(String url, Properties info)	Yes
jdbcCompliant()	Yes

Related concepts

[Programming with the IMS Universal JDBC driver \(Application Programming\)](#)

java.sql.ParameterMetaData methods supported

An object that can be used to get information about the types and properties of the parameters in a PreparedStatement object.

The following table list which methods are supported by the IMS Universal JDBC driver and the IMS Universal JCA/JDBC driver for the ParameterMetaData interface.

Table 98. IMS Universal JDBC driver and IMS Universal JCA/JDBC driver support for ParameterMetaData

JDBC method	IMS Universal JDBC driver and IMS Universal JCA/JDBC driver support
getParameterCount	Yes
isNullable	Yes
isSigned	Yes
getPrecision	Yes
getScale	Yes
getParameterType	Yes
getParameterTypeName	Yes
getParameterClassName	Yes
getParameterMode	Yes

java.sql.PreparedStatement methods supported

The PreparedStatement object represents a precompiled SQL statement.

The following methods are supported by the IMS JDBC drivers for the PreparedStatement interface.

Table 99. IMS JDBC drivers support for PreparedStatement

JDBC method	IMS Universal JDBC driver and IMS Universal JCA/JDBC driver support
addBatch()	No
clearParameters()	Yes
execute()	Yes
executeQuery()	Yes
executeUpdate()	Yes
getMetaData()	Yes
getParameterMetaData()	Yes
setArray(int i, Array x)	Yes
setAsciiStream(int parameterIndex, InputStream x, int length)	No
setBigDecimal(int parameterIndex, BigDecimal x)	Yes
setBinaryStream(int parameterIndex, InputStream x, int length)	No
setBlob(int i, Blob x)	No
setBoolean(int parameterIndex, boolean x)	Yes
setByte(int parameterIndex, byte x)	Yes
setBytes(int parameterIndex, byte[] x)	Yes
setCharacterStream(int parameterIndex, Reader reader, int length)	No
setClob(int i, Clob x)	Yes
setDate(int parameterIndex, Date x)	Yes
setDate(int parameterIndex, Date x, Calendar cal)	No
setDouble(int parameterIndex, double x)	Yes
setFloat(int parameterIndex, float x)	Yes

Table 99. IMS JDBC drivers support for PreparedStatement (continued)

JDBC method	IMS Universal JDBC driver and IMS Universal JCA/JDBC driver support
setInt(int parameterIndex, int x)	Yes
setLong(int parameterIndex, long x)	Yes
setNull(int parameterIndex, int sqlType)	No
setNull(int paramIndex, int sqlType, String typeName)	No
setObject(int parameterIndex, Object x)	Yes
setObject(int parameterIndex, Object x, int targetSqlType)	No
setObject(int parameterIndex, Object x, int targetSqlType, int scale)	No
setRef(int i, Ref x)	No
setShort(int parameterIndex, short x)	Yes
setString(int parameterIndex, String x)	Yes
setTime(int parameterIndex, Time x)	Yes
setTime(int parameterIndex, Time x, Calendar cal)	No
setTimestamp(int parameterIndex, Timestamp x)	Yes
setUnicodeStream(int parameterIndex, InputStream x, int length)	No
setURL(int parameterIndex, URL x)	No

Related concepts

[Programming with the IMS Universal JDBC driver \(Application Programming\)](#)

java.sql.Statement methods supported

The Statement object is used for executing a static SQL statement and returning the results it produces.

The following table lists the methods that are supported by the IMS JDBC drivers for the Statement interface.

Table 100. IMS JDBC drivers support for Statement

JDBC method	IMS Universal JDBC driver and IMS Universal JCA/JDBC driver support
addBatch(String sql)	No
cancel()	No
clearBatch()	No
clearWarnings()	Yes
close()	Yes
execute(String sql)	Yes
execute(String sql, int autoGeneratedKeys)	No
execute(String sql, int[] columnIndexes)	No
execute(String sql, String[] columnNames)	No
executeBatch()	No
executeQuery(String sql)	Yes
executeUpdate(String sql)	Yes
executeUpdate(String sql, int autoGeneratedKeys)	No
executeUpdate(String sql, int[] columnIndexes)	No
executeUpdate(String sql, String[] columnNames)	No
getConnection()	Yes
getFetchDirection()	Yes
getFetchSize()	Yes

Table 100. IMS JDBC drivers support for Statement (continued)

JDBC method	IMS Universal JDBC driver and IMS Universal JCA/JDBC driver support
getGeneratedKeys()	No
getMaxFieldSize()	Yes
getMaxRows()	Yes
getMoreResults()	Yes
getMoreResults(int current)	Yes
getQueryTimeout()	Yes
getResultSet()	Yes
getResultSetConcurrency()	Yes
getResultSetHoldability()	Yes
getResultSetType()	Yes
getUpdateCount()	Yes
getWarnings()	Yes
setCursorName(String name)	No
setEscapeProcessing(boolean enable)	Yes
setFetchDirection(int direction)	Yes
setFetchSize(int rows)	Yes
setMaxFieldSize(int max)	Yes
setMaxRows(int max)	Yes
setQueryTimeout(int seconds)	Yes

Related concepts

[Programming with the IMS Universal JDBC driver \(Application Programming\)](#)

java.sql.ResultSet methods supported

A `ResultSet` object is a table of data that represents a database result set, which is usually generated by executing a statement that queries the database.

The following table describes the `ResultSet` field constants that are supported by the IMS Universal JDBC driver and the IMS Universal JCA/JDBC driver.

Table 101. `ResultSet` field constants supported by the IMS Universal JDBC driver and the IMS Universal JCA/JDBC driver

Field constant	IMS Universal JDBC driver and IMS Universal JCA/JDBC driver support
<code>ResultSet.CLOSE_CURSORS_AT_COMMIT</code>	Yes ¹
<code>ResultSet.CONCUR_READ_ONLY</code>	Yes
<code>ResultSet.CONCUR_UPDATABLE</code>	Yes
<code>ResultSet.FETCH_FORWARD</code>	Yes ²
<code>ResultSet.FETCH_REVERSE</code>	Yes ²
<code>ResultSet.FETCH_UNKNOWN</code>	Yes ²
<code>ResultSet.HOLD_CURSORS_OVER_COMMIT</code>	No ³
<code>ResultSet.TYPE_FORWARD_ONLY</code>	Yes
<code>ResultSet.TYPE_SCROLL_INSENSITIVE</code>	Yes

Table 101. *ResultSet* field constants supported by the IMS Universal JDBC driver and the IMS Universal JCA/JDBC driver (continued)

Field constant	IMS Universal JDBC driver and IMS Universal JCA/JDBC driver support
ResultSet.TYPE_SCROLL_SENSITIVE	No ³

Note:

1. This is the processing model that is used by IMS DB.
2. This is a hint to the JDBC driver. No special processing is performed by IMS DB.
3. Not supported by IMS DB.

The following methods are supported by the IMS JDBC drivers for the *ResultSet* interface.

Table 102. IMS JDBC drivers support for the *ResultSet* interface

JDBC method	IMS Universal JDBC driver and IMS Universal JCA/JDBC driver support
absolute(int row)	Yes
afterLast()	Yes
beforeFirst()	Yes
cancelRowUpdates()	Yes
clearWarnings()	Yes
close()	Yes
deleteRow()	Yes
findColumn(String columnName)	Yes
first()	Yes
getArray(int i)	Yes
getArray(String colName)	Yes
getAsciiStream(int columnIndex)	No
getAsciiStream(String columnName)	No
getBigDecimal(int columnIndex)	Yes
getBigDecimal(int columnIndex, int scale)	Yes
getBigDecimal(String columnName)	Yes
getBigDecimal(String columnName, int scale)	Yes
getBinaryStream(int columnIndex)	No
getBinaryStream(String columnName)	No
getBlob(int i)	No
getBlob(String colName)	No
getBoolean(int columnIndex)	Yes
getBoolean(String columnName)	Yes
getByte(int columnIndex)	Yes

Table 102. IMS JDBC drivers support for the *ResultSet* interface (continued)

JDBC method	IMS Universal JDBC driver and IMS Universal JCA/JDBC driver support
<code>getBytes(String columnName)</code>	Yes
<code>getBytes(int columnIndex)</code>	Yes
<code>getBytes(String columnName)</code>	Yes
<code>getCharacterStream(int columnIndex)</code>	No
<code>getCharacterStream(String columnName)</code>	No
<code>getClob(int i)</code>	Yes (for retrieval of XML only)
<code>getClob(String colName)</code>	Yes (for retrieval of XML only)
<code>getConcurrency()</code>	Yes
<code>getCursorName()</code>	No
<code>getDate(int columnIndex)</code>	Yes
<code>getDate(int columnIndex, Calendar cal)</code>	Yes
<code>getDate(String columnName)</code>	Yes
<code>getDate(String columnName, Calendar cal)</code>	Yes
<code>getDouble(int columnIndex)</code>	Yes
<code>getDouble(String columnName)</code>	Yes
<code>getFetchDirection()</code>	Yes
<code>getFetchSize()</code>	Yes
<code>getFloat(int columnIndex)</code>	Yes
<code>getFloat(String columnName)</code>	Yes
<code>getInt(int columnIndex)</code>	Yes
<code>getInt(String columnName)</code>	Yes
<code>getLong(int columnIndex)</code>	Yes
<code>getLong(String columnName)</code>	Yes
<code>getMetaData()</code>	Yes
<code>getObject(int columnIndex)</code>	Yes
<code>getObject(String columnName)</code>	Yes
<code>getObject(int i, Map<String,Class<?>> map)</code>	No
<code>getRef(int i)</code>	No
<code>getRef(String colName)</code>	No
<code>getRow()</code>	Yes
<code>getShort(int columnIndex)</code>	Yes
<code>getShort(String columnName)</code>	Yes
<code>getStatement()</code>	Yes
<code>getString(int columnIndex)</code>	Yes

Table 102. IMS JDBC drivers support for the *ResultSet* interface (continued)

JDBC method	IMS Universal JDBC driver and IMS Universal JCA/ JDBC driver support
<code>getString(String columnName)</code>	Yes
<code>getTime(int columnIndex)</code>	Yes
<code>getTime(String columnName)</code>	Yes
<code>getTime(String columnName, Calendar cal)</code>	Yes
<code>getTime(int columnIndex, Calendar cal)</code>	Yes
<code>getTimestamp(int columnIndex)</code>	Yes
<code>getTimestamp(int columnIndex, Calendar cal)</code>	Yes
<code>getTimestamp(String columnName)</code>	Yes
<code>getTimestamp(String columnName, Calendar cal)</code>	Yes
<code>getType()</code>	Yes
<code>getUnicodeStream(int columnIndex)</code>	No
<code>getUnicodeStream(String columnName)</code>	No
<code>getURL(int columnIndex)</code>	No
<code>getURL(String columnName)</code>	No
<code>getWarnings()</code>	Yes
<code>insertRow()</code>	No
<code>isAfterLast()</code>	Yes
<code>isBeforeFirst()</code>	Yes
<code>isFirst()</code>	Yes
<code>isLast()</code>	Yes
<code>last()</code>	Yes
<code>moveToCurrentRow()</code>	No
<code>moveToInsertRow()</code>	No
<code>next()</code>	Yes
<code>previous()</code>	Yes
<code>refreshRow()</code>	No
<code>relative(int rows)</code>	Yes
<code>rowDeleted()</code>	No
<code>rowInserted()</code>	No
<code>rowUpdated()</code>	No
<code>setFetchDirection(int direction)</code>	Yes
<code>setFetchSize(int rows)</code>	Yes
<code>updateArray(int columnIndex, Array x)</code>	Yes
<code>updateArray(String columnName, Array x)</code>	Yes

Table 102. IMS JDBC drivers support for the ResultSet interface (continued)

JDBC method	IMS Universal JDBC driver and IMS Universal JCA/JDBC driver support
updateAsciiStream(int columnIndex, InputStream x, int length)	No
updateAsciiStream(String columnName, InputStream x, int length)	No
updateBigDecimal(int columnIndex, BigDecimal x)	Yes
updateBigDecimal(String columnName, BigDecimal x)	Yes
updateBinaryStream(int columnIndex, InputStream x, int length)	No
updateBinaryStream(String columnName, InputStream x, int length)	No
updateBlob(int columnIndex, Blob x)	No
updateBlob(String columnName, Blob x)	No
updateBoolean(int columnIndex, boolean x)	Yes
updateBoolean(String columnName, boolean x)	Yes
updateByte(int columnIndex, byte x)	Yes
updateByte(String columnName, byte x)	Yes
updateBytes(int columnIndex, byte[] x)	Yes
updateBytes(String columnName, byte[] x)	Yes
updateCharacterStream(int columnIndex, Reader x, int length)	No
updateCharacterStream(String columnName, Reader reader, int length)	No
updateClob(int columnIndex, Clob x)	No
updateClob(String columnName, Clob x)	No
updateDate(int columnIndex, Date x)	Yes
updateDate(String columnName, Date x)	Yes
updateDouble(int columnIndex, double x)	Yes
updateDouble(String columnName, double x)	Yes
updateFloat(int columnIndex, float x)	Yes
updateFloat(String columnName, float x)	Yes
updateInt(int columnIndex, int x)	Yes
updateInt(String columnName, int x)	Yes
updateLong(int columnIndex, long x)	Yes
updateLong(String columnName, long x)	Yes
updateNull(String columnName)	No
updateObject(int columnIndex, Object x)	Yes

Table 102. IMS JDBC drivers support for the `ResultSet` interface (continued)

JDBC method	IMS Universal JDBC driver and IMS Universal JCA/JDBC driver support
<code>updateObject(int columnIndex, Object x, int scale)</code>	No
<code>updateObject(String columnName, Object x)</code>	Yes
<code>updateObject(String columnName, Object x, int scale)</code>	No
<code>updateRef(int columnIndex, Ref x)</code>	No
<code>updateRef(String columnName, Ref x)</code>	No
<code>updateRow()</code>	Yes
<code>updateShort(int columnIndex, short x)</code>	Yes
<code>updateShort(String columnName, short x)</code>	Yes
<code>updateString(int columnIndex, String x)</code>	Yes
<code>updateString(String columnName, String x)</code>	Yes
<code>updateTime(int columnIndex, Time x)</code>	Yes
<code>updateTime(String columnName, Time x)</code>	Yes
<code>updateTimestamp(int columnIndex, Timestamp x)</code>	Yes
<code>updateTimestamp(String columnName, Timestamp x)</code>	Yes
<code>wasNull()</code>	Yes

Related concepts

[Programming with the IMS Universal JDBC driver \(Application Programming\)](#)

java.sql.ResultSetMetaData methods supported

A `ResultSetMetaData` object can be used to get information about the types and properties of the columns in a `ResultSet` object.

The following methods are supported by the IMS JDBC drivers for the `ResultSetMetaData` interface.

Table 103. IMS JDBC drivers support for `ResultSetMetaData`

JDBC method	IMS Universal JDBC driver and IMS Universal JCA/JDBC driver support
<code>getCatalogName(int column)</code>	Yes
<code>getColumnClassName(int column)</code>	Yes
<code>getColumnCount()</code>	Yes
<code>getColumnDisplaySize(int column)</code>	Yes
<code>getColumnLabel(int column)</code>	Yes
<code>getColumnName(int column)</code>	Yes
<code>getColumnType(int column)</code>	Yes
<code>getColumnTypeName(int column)</code>	Yes
<code>getPrecision(int column)</code>	Yes
<code>getScale(int column)</code>	Yes
<code>getSchemaName(int column)</code>	Yes
<code>getTableName(int column)</code>	Yes
<code>isAutoIncrement(int column)</code>	Yes

Table 103. IMS JDBC drivers support for ResultSetMetaData (continued)

JDBC method	IMS Universal JDBC driver and IMS Universal JCA/JDBC driver support
isCaseSensitive(int column)	Yes
isCurrency(int column)	Yes
isDefinitelyWritable(int column)	Yes
isNullable(int column)	Yes
isReadOnly(int column)	Yes
isSearchable(int column)	Yes
isSigned(int column)	Yes
isWritable(int column)	Yes

Related concepts

[Programming with the IMS Universal JDBC driver \(Application Programming\)](#)

IMS Universal drivers support for the Common Client Interface

The IMS Universal Database resource adapter supports the Common Client Interface (CCI) API in the Java EE Connector Architecture 1.5 specification.

Related concepts

[Programming using the IMS Universal Database resource adapter \(Application Programming\)](#)

javax.resource.cci.Connection methods supported

The `javax.resource.cci.Connection` interface represents an application-level handle used by client to access the underlying physical connection.

The following table list which methods are supported by the IMS Universal Database resource adapter for the `javax.resource.cci.Connection` interface.

Table 104. IMS Universal Database resource adapter support for the `javax.resource.cci.Connection` interface.

javax.resource.cci.Connection method	IMS Universal Database resource adapter support
<code>close()</code>	Yes
<code>createInteraction()</code>	Yes
<code>getLocalTransaction()</code>	Yes
<code>getMetaData()</code>	Yes
<code>getResultSetInfo()</code>	Yes

Related concepts

[Programming using the IMS Universal Database resource adapter \(Application Programming\)](#)

javax.resource.cci.ConnectionFactory methods supported

The `javax.resource.cci.ConnectionFactory` interface provides an application component with a `Connection` instance to an EIS.

The following table list which methods are supported by the IMS Universal Database resource adapter for the `javax.resource.cci.ConnectionFactory` interface.

Table 105. IMS Universal Database resource adapter support for the `javax.resource.cci.ConnectionFactory` interface.

javax.resource.cci.ConnectionFactory method	IMS Universal Database resource adapter support
<code>getConnection()</code>	Yes
<code>getConnection(ConnectionSpec)</code>	Yes
<code>getMetaData()</code>	Yes
<code>getRecordFactory()</code>	Yes

Related concepts

[Programming using the IMS Universal Database resource adapter \(Application Programming\)](#)

javax.resource.cci.ConnectionMetaData methods supported

The `javax.resource.cci.ConnectionMetaData` interface provides information about an EIS instance connected through a `Connection` instance.

The following table list which methods are supported by the IMS Universal Database resource adapter for the `javax.resource.cci.ConnectionMetaData` interface.

Table 106. IMS Universal Database resource adapter support for the `javax.resource.cci.ConnectionMetaData` interface.

javax.resource.cci.ConnectionMetaData method	IMS Universal Database resource adapter support
<code>getEISProductName()</code>	Yes
<code>getEISProductVersion()</code>	Yes
<code>getUserName()</code>	Yes

Related concepts

[Programming using the IMS Universal Database resource adapter \(Application Programming\)](#)

javax.resource.cci.Interaction methods supported

The `javax.resource.cci.Interaction` interface provides a means for an application component to execute EIS functions, such as relational database queries.

The following table list which methods are supported by the IMS Universal Database resource adapter for the `javax.resource.cci.Interaction` interface.

Table 107. IMS Universal Database resource adapter support for the `javax.resource.cci.Interaction` interface.

javax.resource.cci.Interaction method	IMS Universal Database resource adapter support
<code>clearWarnings()</code>	Yes
<code>close()</code>	Yes
<code>execute(InteractionSpec, Record)</code>	Yes
<code>execute(InteractionSpec, Record, Record)</code>	No
<code>getConnection()</code>	Yes
<code>getWarnings()</code>	Yes

Related concepts

[Programming using the IMS Universal Database resource adapter \(Application Programming\)](#)

javax.resource.cci.LocalTransaction methods supported

The `javax.resource.cci.LocalTransaction` interface defines a transaction demarcation interface for resource manager local transactions.

The following table list which methods are supported by the IMS Universal Database resource adapter for the `javax.resource.cci.LocalTransaction` interface.

Table 108. IMS Universal Database resource adapter support for the `javax.resource.cci.LocalTransaction` interface.

javax.resource.cci.LocalTransaction method	IMS Universal Database resource adapter support
<code>begin()</code>	Yes
<code>commit()</code>	Yes
<code>rollback()</code>	Yes

Related concepts

[Programming using the IMS Universal Database resource adapter \(Application Programming\)](#)

javax.resource.cci.ResultSetInfo methods supported

The interface `javax.resource.cci.ResultSetInfo` provides information on the support provided for `ResultSet` by a connected EIS instance.

The following table list which methods are supported by the IMS Universal Database resource adapter for the `javax.resource.cci.ResultSetInfo` interface.

Table 109. IMS Universal Database resource adapter support for the `javax.resource.cci.ResultSetInfo` interface.

javax.resource.cci.ResultSetInfo method	IMS Universal Database resource adapter support
<code>deletesAreDetected(int)</code>	Yes
<code>insertsAreDetected(int)</code>	Yes
<code>othersDeletesAreVisible(int)</code>	Yes
<code>othersInsertsAreVisible(int)</code>	Yes
<code>othersUpdatesAreVisible(int)</code>	Yes
<code>ownDeletesAreVisible(int)</code>	Yes
<code>ownInsertsAreVisible(int)</code>	Yes
<code>ownUpdatesAreVisible(int)</code>	Yes
<code>supportsResultSetType(int)</code>	Yes
<code>supportsResultTypeConcurrency(int, int)</code>	Yes
<code>updatesAreDetected(int)</code>	Yes

Related concepts

[Programming using the IMS Universal Database resource adapter \(Application Programming\)](#)

javax.resource.cci.ResourceAdapterMetaData methods supported

The interface `javax.resource.cci.ResourceAdapterMetaData` provides information about capabilities of a resource adapter implementation.

The following table list which methods are supported by the IMS Universal Database resource adapter for the `javax.resource.cci.ResourceAdapterMetaData` interface.

Table 110. IMS Universal Database resource adapter support for the `javax.resource.cci.ResourceAdapterMetaData` interface.

javax.resource.cci.ResourceAdapterMetaData method	IMS Universal Database resource adapter support
<code>getAdapterName()</code>	Yes
<code>getAdapterShortDescription()</code>	Yes
<code>getAdapterVendorName()</code>	Yes
<code>getAdapterVersion()</code>	Yes
<code>getInteractionSpecsSupported()</code>	Yes
<code>getSpecVersion()</code>	Yes
<code>supportsExecuteWithInputAndOutputRecord()</code>	Yes
<code>supportsExecuteWithInputRecordOnly()</code>	Yes
<code>supportsLocalTransactionDemarcation()</code>	Yes

Related concepts

[Programming using the IMS Universal Database resource adapter \(Application Programming\)](#)

javax.resource.cci.RecordFactory methods supported

The `javax.resource.cci.RecordFactory` interface provides an application component with a `Record` instance.

The following table list which methods are supported by the IMS Universal Database resource adapter for the `javax.resource.cci.RecordFactory` interface.

Table 111. IMS Universal Database resource adapter support for the `javax.resource.cci.RecordFactory` interface.

javax.resource.cci.RecordFactory method	IMS Universal Database resource adapter support
<code>createIndexedRecord(String)</code>	Yes
<code>createMappedRecord(String)</code>	Yes

Related concepts

[Programming using the IMS Universal Database resource adapter \(Application Programming\)](#)

Java API documentation (Javadoc)

The Java API documentation (Javadoc) for the IMS Universal drivers and the IMS Java dependent region resource adapter is briefly described in the following table.

To view the Javadoc directly, see [Java API specification: IMS Universal drivers and IMS JDR resource adapter](#).

The Java API documentation for IMS TM Resource Adapter is provided separately. See [Java API specifications \(TM Resource Adapter\)](#).

IMS Universal drivers and IMS Java dependent region resource adapter

The IMS Universal drivers and the IMS Java dependent region (JDR) resource adapter are available in the file `imsudb.jar`. For details about using the `.jar` file, see [Software requirements for Java application programs that use the IMS Universal drivers or JDR resource adapter \(Release Planning\)](#).

To learn more about using the IMS Universal drivers and the IMS Java dependent region resource adapter with your Java applications, see [Programming with the IMS Universal drivers \(Application Programming\)](#).

The following packages provide Java classes or interfaces for interacting with IMS Java batch processing regions (JBPs), Java message processing regions (JMPs), or IMS database resources.

Table 112. Packages for IMS database access for IMS Universal drivers and IMS Java dependent region resource adapter

Package	Description	Used by
com.ibm.ims.application	Provides classes for IMS Java dependent region transaction and message processing. It contains classes for managing error messages, sending and receiving messages providing program access to IMS transaction services such as commit and rollback, and more.	IMS Java dependent region resource adapter (<code>imsudb.jar</code>)
com.ibm.ims.base	Provides classes for mapping Java calls to DL/I APIs.	IMS Java dependent region resource adapter (<code>imsudb.jar</code>)
com.ibm.ims.db.cci	Provides classes for interacting with IMS database resources using the Common Client Interface (CCI) architecture.	<ul style="list-style-type: none">• IMS Universal Database resource adapter with local transaction support (<code>imsudbLocal.rar</code>)• IMS Universal Database resource adapter with additional two-phase commit processing (<code>imsudbXA.rar</code>)
com.ibm.ims.dli	Provides an API to write Java applications that can access IMS databases using DL/I programming semantics.	<code>imsudb.jar</code> <ul style="list-style-type: none">• IMS Universal DL/I driver• IMS Universal JDBC driver• IMS Java dependent region resource adapter
com.ibm.ims.dli.converters	Provides an API to convert Java data types to and from byte arrays.	<code>imsudb.jar</code> <ul style="list-style-type: none">• IMS Universal DL/I driver• IMS Universal JDBC driver• IMS Java dependent region resource adapter
com.ibm.ims.dli.tm	Provides a Java interface to interact with JBPs and JMPs.	IMS Java dependent region resource adapter (<code>imsudb.jar</code>)

Table 112. Packages for IMS database access for IMS Universal drivers and IMS Java dependent region resource adapter (continued)

Package	Description	Used by
com.ibm.ims.jdbc	Provides IMS-specific extensions for connecting to IMS databases using JDBC.	<ul style="list-style-type: none"> • IMS Universal JDBC driver (<code>imsudb.jar</code>) • IMS Universal JDBC driver with JCA support (<code>imsudbJLocal.rar</code> or <code>imsudbJXA.rar</code>)
com.ibm.ims.jdbc.xa	Provides IMS-specific extensions for connecting to IMS databases in two-phase commit (XA) mode using JDBC.	IMS Universal JDBC driver with JCA support (<code>imsudbJXA.rar</code>)
com.ibm.ims.jms	<p>The IMSCallout API is the newer, IMS-specific way to issue synchronous callout requests from a Java dependent region. To learn more about using class <code>IMSCallout</code>, see the following resources:</p> <ul style="list-style-type: none"> • Programming with the Callout API (Application Programming) • com.ibm.ims.dli.tm <p>The IMS implementation of the Java Message Service (JMS) is an older solution that uses JMS classes to provide limited support for synchronous callout requests from JMP or JBP applications. It includes IMS-specific extensions for issuing synchronous callout requests from JMP and JBP regions. To learn more, see com.ibm.ims.jms.</p>	IMS Java dependent region resource adapter (<code>imsudb.jar</code>)

Chapter 5. Message Format Service (MFS) reference

These topics contain reference information for the IMS Message Format Service (MFS).

MFS application program design

Design objectives for MFS application programs should focus on device independence, operator convenience, and application program simplicity. Effective design requires a fundamental understanding of the MFS functions and of the factors that affect MFS operation and performance.

Relationships between MFS control blocks

Several levels of linkage exist between MFS control blocks.

You must understand these linkages to design an application environment properly.

The following figure shows the interrelationships between MFS control blocks. The subsequent illustrate the four levels of linkages, which are then summarized in the final figure.

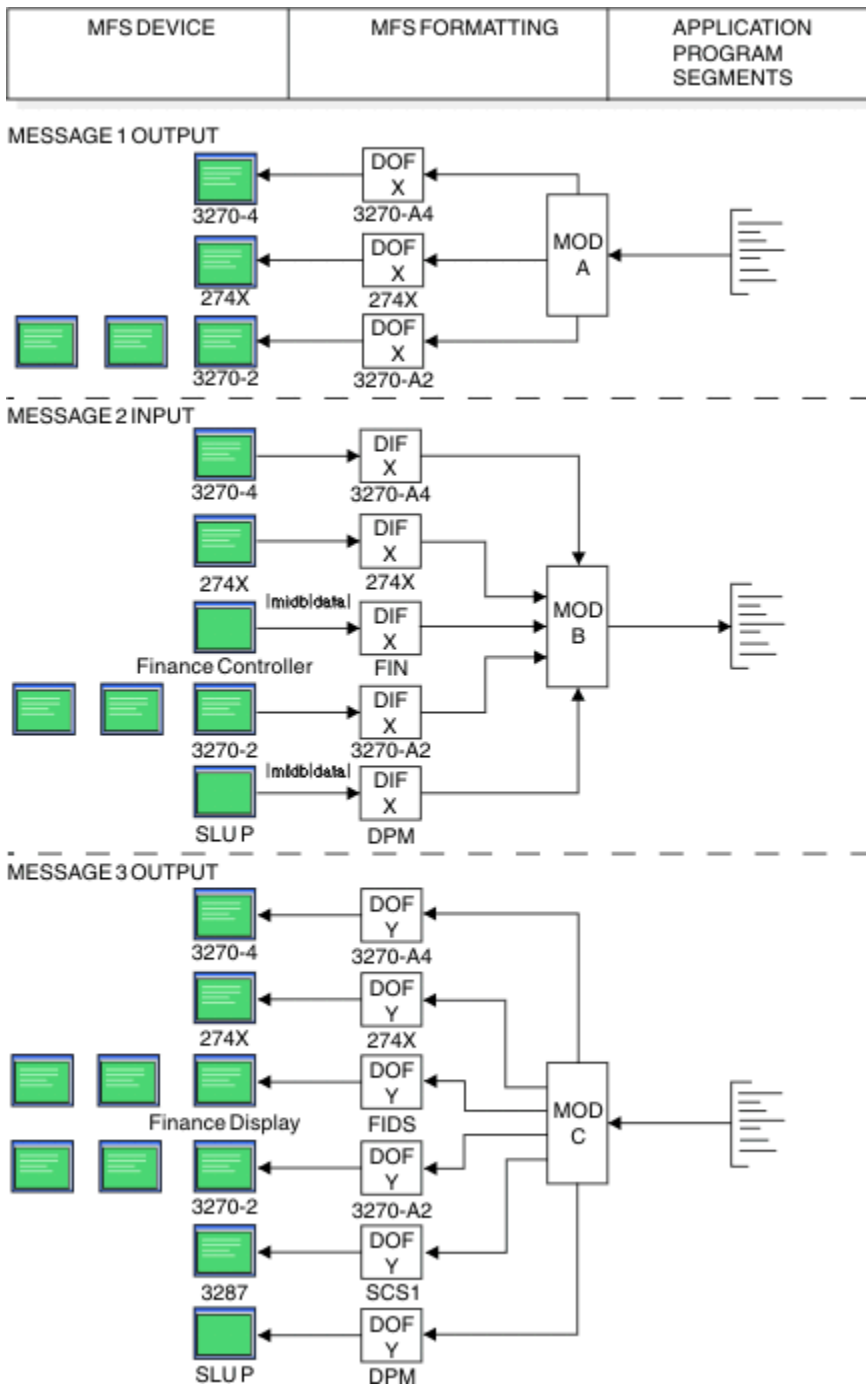


Figure 21. Control block interrelationships

The following figure shows the highest-level linkage, that of chained control blocks.

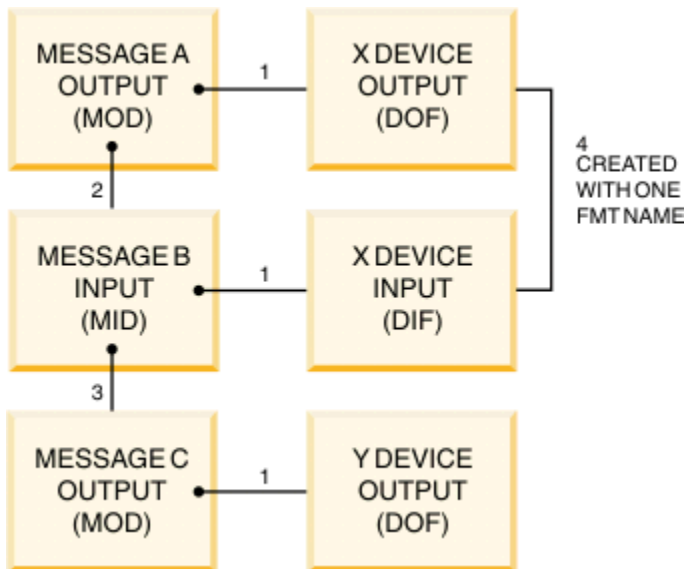


Figure 22. Chained control block linkage

Notes to the previous figure:

1. This linkage must exist.
2. If the linkage does not exist, device input data from 3270 devices is not processed by MFS. For other devices, the MID name can be provided by the operator.
3. This linkage is provided for application program convenience. It provides a MOD name to be used by IMS if the application program does not provide a name by way of the format name option of the DL/I ISRT or PURG call. This MOD name is also used if the input is a message switch to an MFS-supported terminal.
4. The user-provided names for the DOF and DIF used in one output-input sequence are normally the same. The MFS language utility alters the name for the DIF to allow the MFS pool manager to distinguish between the DOF and DIF.

The direction of the linkage allows many message descriptors to use the same device format if desired. One common device format can be used for several application programs whose output and input message formats as seen at the application program interface are quite different.

The following figure shows another level of linkage that exists between message fields and device fields. The dots show the direction of reference, not the direction of data flow, in the MFS language utility control statements; that is, the item at the dotted end of a line references the item at the other end of the line.

References to device fields by message fields do not need to be in any particular sequence. An MFLD does not need to refer to any DFLD. In this case, MFLD defines space in the application program segment that is to be ignored if the MFLD is for output and padded if the MFLD is for input. Device fields do not need to be referenced by message fields. In this case the fields are established on the device, but no output data is transmitted to them and any input data from them is ignored.

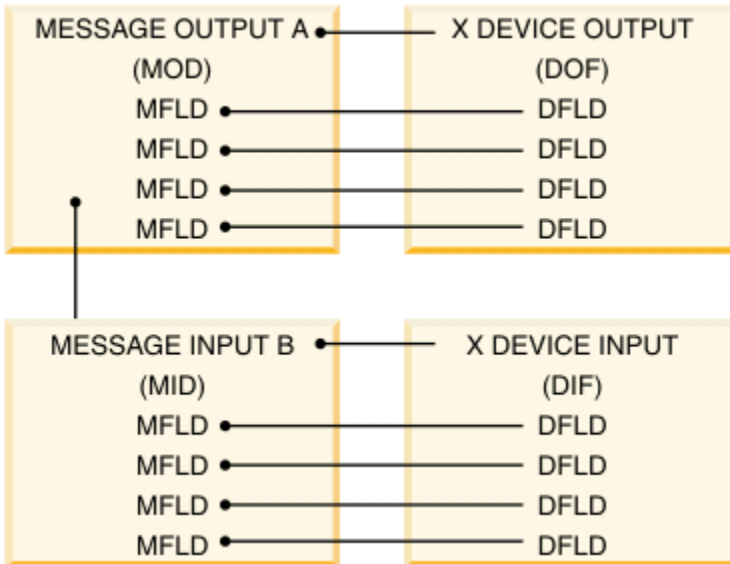


Figure 23. Linkage between message fields and device fields

The following figure shows a third level of linkage, which exists between the LPAGE and the DPAGE.

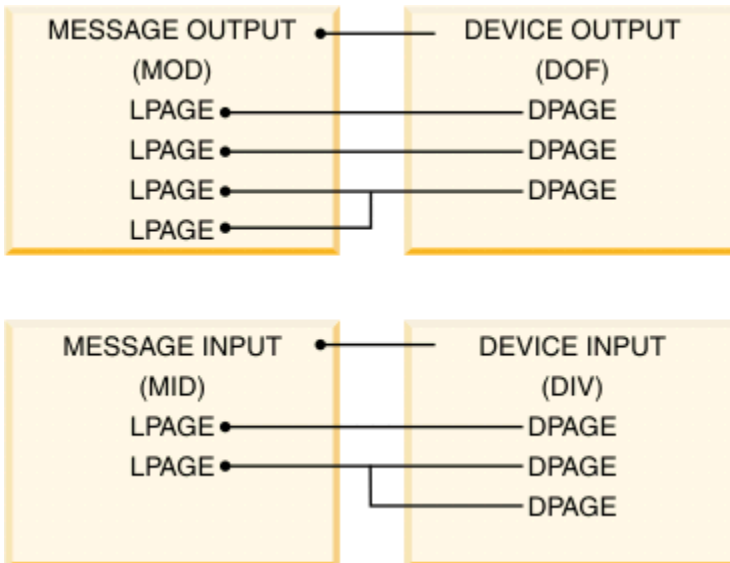


Figure 24. LPAGE and DPAGE relationships

A MOD LPAGE must refer to a DPAGE in the DOF. However, not all DPAGES must be referred to from a given MOD.

If no MID LPAGE is defined, the defined MFLDs can refer to fields in any DPAGE. However, input data for any given input message from the device is limited to fields that are defined in a single DPAGE.

If one or more MID LPAGES are defined, each LPAGE can refer to one or more DPAGES. All DPAGES must be referred to by an LPAGE. When input data is processed as defined by a particular DPAGE, the LPAGE referring to it governs the message editing.

The following figure shows a fourth level of linkage that is optionally available to allow selection of the MID based on which MOD LPAGE is displayed when input data is received from the device.

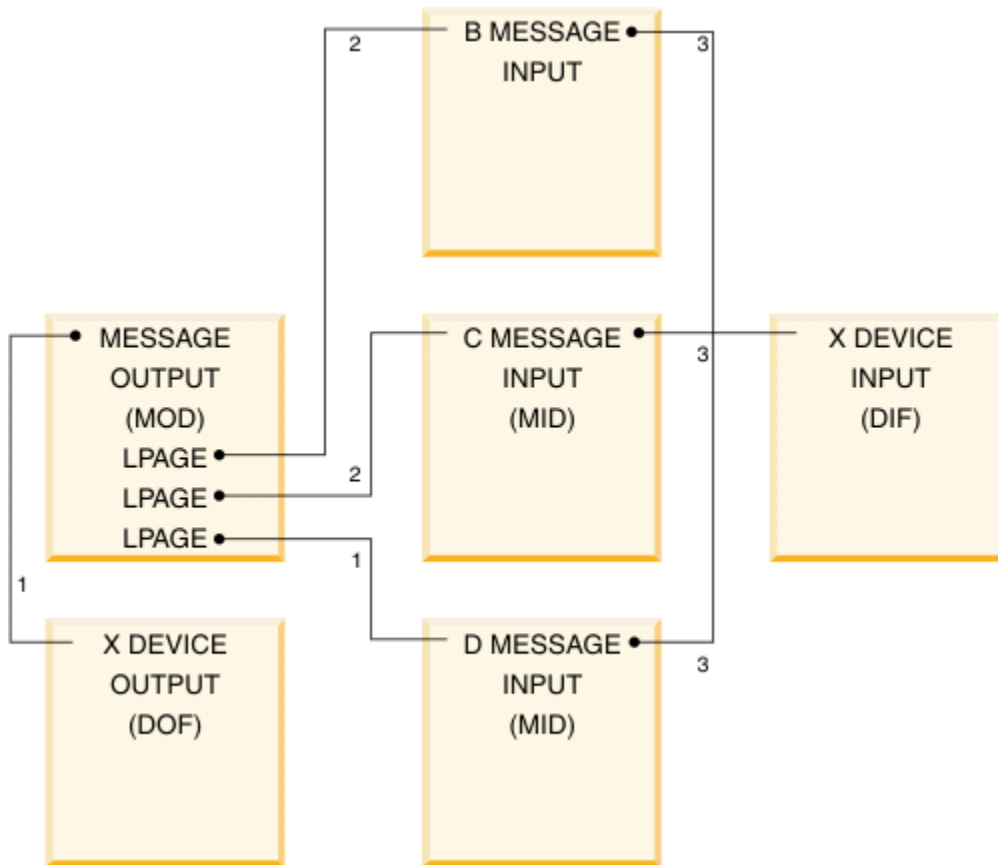


Figure 25. Optional message descriptor linkage

Notes to the previous figure:

1. The next MID name provided with the MSG statement is used if no name is provided with the current LPAGE.
2. If a next MID name is provided with the current LPAGE, input is processed using this name.
3. When the format definition includes 3270 or SLU 2 devices, all MIDs must refer to the same DIF. The same user-provided name must be used to refer to the DOF when the MOD is defined.

The following figure summarizes the previously explained MFS control block linkages.

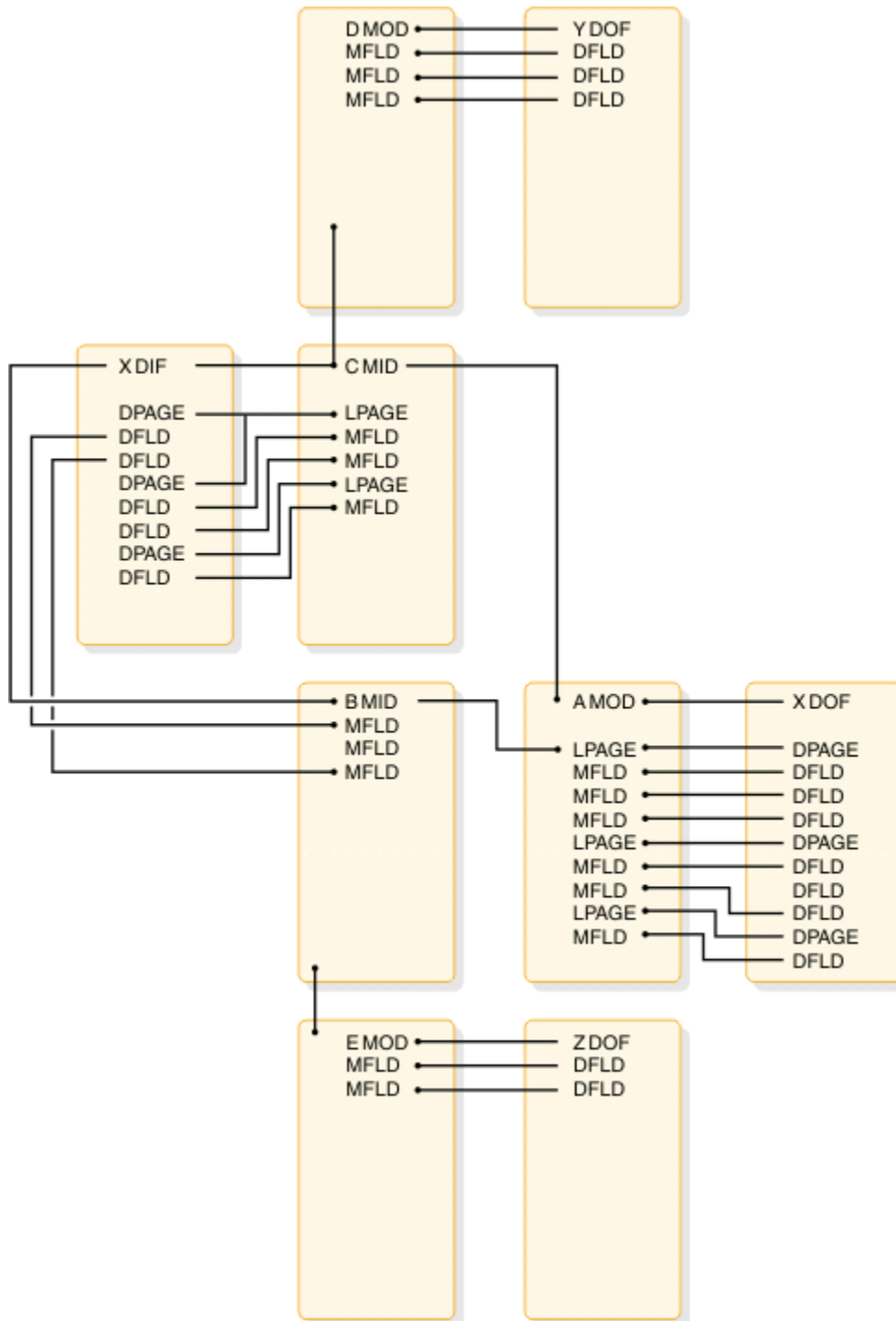


Figure 26. Summary of control block linkages

Control block linkages are fundamental to MFS functions but there are a few device-oriented conditions that could affect application design.

3270 or SLU 2 display devices

Because output to these devices establishes fields on the device using hardware capabilities, and field locations cannot be changed by the operator, special linkage restrictions exist.

Because formatted input can only occur from a screen formatted by output, the DPAGE and physical page definition used for formatting input is always the same as that used to format the previous output. Control block compilation by the MFS Language utility verifies that the MID referenced by the MOD refers

to the same FMT name that the MOD references. During online processing, if the DIF corresponding to the previous DOF cannot be fetched, an error message is sent to the display.

3290 information panel in partitioned format mode

The screen of the 3290 can be divided into several rectangular areas called *partitions*. Depending on LPAGE/DPAGE selection, each logical page of an output message is sent to the partition specified on the DPAGE statement.

When the 3290 is operating in partitioned mode, the usual control block linkages are in effect. There are, however, additional functions, because the logical pages described in the MOD can be sent to different partitions. The partition descriptor block (PDB) is a type of intermediate text block (ITB). The PDB describes the set of partitions that can appear on the screen in response to a single output message. Among other things, the PDB contains one partition definition statement coded with a partition descriptor (PD) for each partition. Taken together, the PDs define a *partition set*.

The linkages work as follows:

1. A MOD is requested for a particular message. The MOD names an FMT and becomes associated with the appropriate DEV statement—in this case, the DEV statement for the 3290. A DOF is created to format the 3290 for the message.
2. The DEV statement itself names a PDB. Thus the MOD is linked to the DOF, which in turn links to the PDB through the DEV statement for the 3290. This linkage gives the logical pages of the MOD (defined by the LPAGE statements) access to the PDs in the PDB.
3. Each LPAGE statement in the MOD names a DPAGE statement in the DOF.
4. For the 3290 with partitioning, a DPAGE statement contains a PD keyword, which identifies one of the partition descriptors in the PDB.

Because of this linkage, each logical page is associated with its appropriate partition that is described by a partition descriptor. When the logical page is retrieved from the message queue, it is sent to that partition.

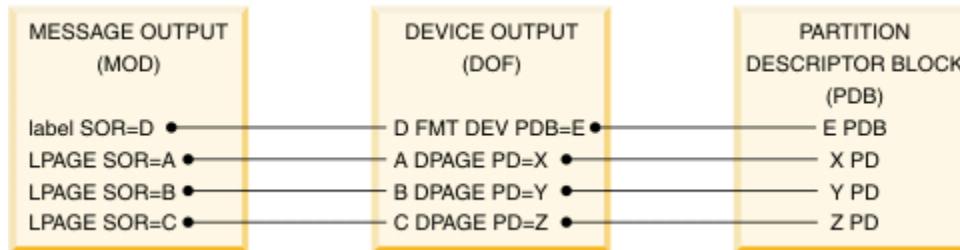


Figure 27. Linkages in partitioned format mode

Finance, 3770, SLU 1, NTO, or SLU P devices

Because no hardware-established field capabilities exist, no correlation is necessary between output fields and input fields on these devices.

Operator input or the user-written program in the Finance or SLU P workstation controller can determine which FMT is used (by specifying a MID name) and which DPAGE within the FMT is used (by the COND= specification for the DPAGE).

Finance or SLU P workstations

Because of the asynchronous capabilities of the Finance and SLU P workstations, MFS cannot automatically maintain the chain between the MOD and the MID.

Therefore, the MID name is sent to the device in the output message header. The chain can be maintained, transparent to the operator, if the user-written application program in the remote controller returns the MID name in the input message header.

ISC subsystem (DPM-Bn)

The NXT=midname that is specified on the MSG TYPE=OUTPUT becomes the RDPN on output and, if not changed by the remote program or subsystem, becomes the DPN on input.

Format library member selection

When a message is received as input or prepared for output, the DIF or DOF is selected on the basis of the user-provided name from the message descriptor and the device type and features of the terminal.

The MFS language utility constructs the member name of each DIF and DOF in the IMS.FORMAT library from the FMT label and the DEV TYPE= and FEAT= specifications as follows:

Byte

Contents

1

Device type indicator (hexadecimal). For a list of device types by indicator, see the following table.

2

Device feature indicator (hexadecimal). For a list of indicators by feature, see the subsequent table.

3

If DOF, first character of label provided in the FMT statement. If DIF, first character of label provided in the FMT statement **converted to lowercase**.

4-8

Remaining characters from the label of the FMT statement.

For byte 1 of the DEV specification FMT=, the device type indicators are as listed in the following table.

Table 113. Device type indicators for FMT=

Device Feature	Indicator (Hex)
SLU 2, Model 1 display	00
3284-1 or 3286-1 printer	01
3277, or SLU 2, Model 2 display	02
3284-2 or 3286-2 printer	03
3604-1 or 2 (FIDS)	05
3604-3 (FIDS3)	06
3604-4 (FIDS4)	07
3600 (FIN)	08
3610, 3612 journal printer (FIJP)	09
3611, 3612 passbook printer (FIPB)	0A
3618 administrative printer (FIFP)	0B
SCS1: 3770; NTO; and SLU 1 (print data set)	0C
SCS2: 3521 card punch, 3501 card reader, 2502 card reader, and SLU 1 (transmit data set),	0D
3604-7 (FIDS7)	0E
DPM-A1 through DPM-A15, respectively	11 through 1F
DPM-B1 through DPM-B15, respectively	21 through 2F
3270-A1 through 3270-A15, respectively	41 through 4F

Recommendation: You should define device formats for each device type expected to receive a given message. If the MOD or the DOF with the required device type and feature specification cannot be located during online execution, the IMS error default format (containing an error message) is used to display the output message. If the MID or the DIF with the required device type and feature specification cannot be located, input is ignored and an error message is sent to the device that entered it.

However, it is possible to use the same format for a variety of specific devices. Formats defined as TYPE=3270,2 with FEAT=IGNORE specified, can be used as default formats for users of the following devices:

- 3275
- 3276, models 2/3/4
- 3277, model 2
- 3278, models 2/3/4
- 3279, models 2/3

To define the terminal to IMS, you must specify TYPE=3270-An with SIZE=(n,80), where $n \geq 24$.

Restriction: The IGNORE feature is not supported in MFSTEST mode.

The terminal must be defined to IMS as TYPE=3270,2 or MFS searches for a block with the exact TYPE and FEAT specification, and if one is not found, MFS searches for the default TYPE=3270,2 with FEAT=IGNORE.

Another level of defaulting occurs for ETO terminals prior to the already described defaulting. If an ETO terminal is defined with a screen size of 12x40 or 24x80 in the VTAM® PSERVIC information, and that format block is not found, an additional search is made for a format of the same name using TYPE=3270,1 (12x40) or TYPE=3270,2 (24x80) and using the same features. If that search is unsuccessful, the already described default search is performed. This new default search is also used when in MFSTEST mode, whereas the old default search is not.

Device format selection is based upon the features of the destination terminal as defined at IMS system definition. If feature selection is used, a device format must be created for every combination of features in the system that can receive a message using feature selection. Feature selection is performed based on the specification of the message descriptor (MOD or MID). If the IGNORE option is specified on the MOD, device formats must be created with the IGNORE feature option to ensure proper operation.

Because the screen size for 3270 or SLU 2 devices, other than 3270 model 1 or 2, is specified during IMS system definition, an IMS system definition must be performed before execution of the MFS language utility for user-defined formats.

Use feature selection when devices with different feature combinations are to receive or enter a message and the special features of each device are to be used.

For example, an operator at a device with program function keys can enter a literal in a field using a program function key, and another operator at a device without program function keys can enter the same literal by typing it in a field on the screen. To the application program, these literals are the same. To the application program, the following input devices can enter messages that can look identical regardless of how they were entered:

- Device Features
- Print Line 120
- Print Line 126
- Print Line 132
- Data Entry Keyboard
- Program Function Keys
- Selector Light Pen Detect
- Magnetic Card Reading Devices (OICR and MSR)
- Dual Platen

- User-defined features for the 3270, SCS1, and SCS2 devices and DPM programs

Use the device feature indicator values listed in the following table for byte 2 of the DEV FEAT= specification:

Table 114. Example of device feature indicator values

Device Feature	Indicator (Hex)
P.L. 120 (Print Line 120)	40
P.L. 126	50
P.L. 132	60
DEK (data entry keyboard)	C8
PFK (program function keys)	C4
SLPD (selector light pen detect)	C2
OICR/MSR (magnetic card reading devices)	C1
IGNORE	7F
DEK,SLPD	4A
DEK,OICR	C9
DEK,SLPD,OICR	4B
PFK,SLPD	C6
PFK,OICR	C5
PFK,SLPD,OICR	C7
SLPD,OICR	C3
DUAL (dual platen)	C1
P.L. 132,DUAL	61
No features (3270)	40
3270,3270P,3770,SLU 1, SLU 2, SLU P,ISC (User-defined features)	Indicators available for definition: 1. 01 2. 02 3. 03 4. 04 5. 05 6. 06 7. 07 8. 08 9. 09 10. 0A

3270 or SLU 2 screen formatting

MFS is designed to transmit only required data to and from the 3270 display device. Device orders to establish fields and display literals can cause significant transmission time, because there can be more orders and literal data than program data.

Under normal operation, when the format to be displayed already exists on a device, only user-supplied data from the message and modifiable field attributes are transmitted. The current format on the device is determined by the device output format name, the DPAGE within the format, and the physical page within the DPAGE. The following conditions cause MFS to perform a full format operation (device buffer erased and all fields and literals are transmitted) for device output:

- The device output format changes.
- The DPAGE changes within a device output format.
- The physical page number changes.
- The operator presses the CLEAR key.
- The operator presses the CLEAR PARTITION key, which causes a full format write to the cleared partition.
- DSCA option of the DEV statement requests format write.
- SCA field in the output message requests format write.
- The MFS bypass has been used.
- Terminal has been stopped as a result of a permanent I/O error. The screen is cleared and the next output is a full format operation.
- The operator uses the operator identification card reader. The screen is cleared and the next output is a full format operation.

A full format operation must be carefully planned. Several factors can result in undesirable screen displays, program input, or both:

1. If the program depends upon the existence of data in non-literal fields and does not include this data in the output message, the data might not be on the screen when the device receives the output message. Several actions can cause this to occur:
 - The terminal operator pressing the CLEAR key
 - A device error
 - Another message sent to the device before the response
 - An IMS restart

This dependency also makes the application 3270 device-dependent.

2. If the program sends only part of an output field, data that already exists in the non-literal fields can cause confusion. If a partial field is transmitted to a filled-in field, any modification of the field causes the old data remaining in the field to be included in the new input. Use the PT (program tab X'05') as a fill character on the DPAGE statement to solve this problem. If the PT fill character is specified, message data fields (and message literal fields) that are to be transmitted are followed by a program tab order if the data does not fill the device field. This clears the remainder of the device field to nulls.

When a program sends only a few of the output data fields on a given display screen, it might be desirable to clear all the unprotected filled-in fields first. The unprotected fields can be cleared by specifying the "erase all unprotected" option in the application program output with the system control area (SCA) operand of the MFLD statement or the default SCA (DSCA) operand of the DEV statement.

3. Pre-modified attributes can be requested by the application program to ensure input of field data. If pre-modified attributes are requested and the message was completely transmitted to the device and not operator logically paged, then a device error, or IMS restart, prevents input. This error occurs because the screen is not reestablished with the message when the terminal is started or IMS is restarted.

4. If dynamic attribute modification is specified for a device field with predefined attributes, an attribute is sent to the device for that field in every output operation, even if the data for this device field is not included in the output message. These attributes are used:

- If the output message field has an attribute and the attribute is valid, then the dynamic attribute modification is performed.
- If the message field is not included in the LPAGE being used or the attribute is not valid, the predefined attribute for the device field is used.

Recommendations: For application design, you should:

1. Use a common device format for as many applications as possible. Reducing the number of full format operations can significantly reduce response time. Format block pool requirements are reduced as well as message format buffer pool I/O activity.
2. Allow MFS to determine when a format operation is required. This results in transmission time savings when formatting is not required.
3. Ensure that the application program output message contains all non-literal data required by the device operator. Do not rely on previous data remaining on the device.
4. Use the PT fill option to ensure that fields on the device that receive program output data contain only data from the message.
5. Use the erase all unprotected option of the SCA or DSCA if the application requires that unprotected fields be cleared.

Two MFS facilities are available for controlling format operations. Both the system control area (SCA) of the message field and the default SCA (DSCA) option of the DEV statement provide the ability to cause IMS to force a reformat or to erase all unprotected fields or all partitions before transmitting output. The force format write option causes the device buffer to be erased, all fields to be established, and all literals to be transmitted. The erase all option causes all unprotected fields or all partitions to be cleared to NULLs before data is written.

Related concepts

[“System control area \(SCA\) and default SCA \(DSCA\)” on page 486](#)

The system control area (SCA) is the means by which specific device operations are requested when an output message is sent to the device.

3290 screen formatting

A 3290 screen can be divided into several independent areas, called *logical units* (LUs). Each LU can be in base state or formatted state. If it is in formatted state, the LU can be in standard or *partitioned* format mode.

Descriptions of 3290 screen formatting follow.

Screen division

The 3290 has a large screen, which allows the display of up to 62 rows by 160 columns for small character cells (6 × 12 pels), and up to 50 rows by 106 columns for large character cells (9 × 15 pels).

The 3290 screen can be divided into several areas, each of which interacts independently with the operator. This can be done in two ways:

- By dividing the screen into separate LUs
- By dividing a logical unit into separate partitions

In the first case, the 3290 terminal and its screen can be defined as up to four separate LUs. Each LU is independent of the others, and is defined to IMS as a separate terminal with its own address. This support is transparent to IMS. Defining multiple LUs is useful if the IMS application calls for more than one input or output message (or both) to be concurrently active between the 3290 terminal and IMS. For each logical unit, however, only one input or output message can be active.

In addition, with software partitioning, each logical unit can be divided into as many as 16 partitions. Each application message can specify a set of partitions, and each logical page of the message is associated with a particular partition of the partition set. Software partitioning is useful if:

- The operator needs to view more than one logical page at a time.
- One partition is needed to view an output page and another to input data.
- A partition is to be defined to receive IMS system error messages while the logical unit is in formatted mode. This function could be used in place of the current MFS SYSMSG field support.
- Scrolling is desired. Scrolling moves data up and down in the partition viewport. It can be defined only for a 3290 in partitioned mode. With explicit partition scrolling, you can define MFS pages for a presentation space larger than the viewport on the physical screen. This reduces the number of interactions between IMS and the terminal that must occur to display the message.

The 3290 allows a maximum of 16 partitions per physical device. Also, each LU defined in partitioned state must have available to it a minimum of 8 partitions, no matter how many partitions are actually defined for it. Thus, if one LU is defined with 9 partitions, no other LU can be in partitioned state, because there are only 7 partitions left for the physical device. Consequently, no more than 2 LUs (of the maximum 4 allowed) can be in partitioned state.

The following considerations also apply to defining partitions:

- Partitions must be rectangular.
- A single input message is constructed from one physical page of a single partition unless Multiple Physical Page Input is used. If it is used, then multiple physical pages for a single input message must come from a single partition.
- If the current PDB does not define a partition for system messages, and if the DOF does not define a system message field, then a system message destroys the current partitioned format mode and the 3290 (or the particular LU in question) returns to standard format mode.

Terminal states and modes

The 3290 as a single LU, or any of the LUs into which it has been divided, can be in terminal base state or terminal formatted state.

In terminal base state, the 3290 operates in the same way as any other currently supported SLU 2 node when it is initially connected to IMS or when the clear key has been pressed. In this state, input messages to IMS are edited with basic edit, and output messages without an associated MOD are formatted using the default MFS MOD.

In terminal formatted state, the 3290 can be in:

- Standard format mode
- Partitioned format mode

The choice of format mode is made dynamically at the time of message output. The output message is associated with a MOD, which in turn names a DOF. The specifications in the DOF determine the 3290 format mode:

- The 3290 is in standard format mode if the DOF does not name a partition descriptor block (PDB). The terminal is then formatted and operated as an ordinary SLU 2 node.
- The 3290 is in partitioned format mode if the DOF names a partition descriptor block (PDB).

Partition set initialization, paging, and activation

If the 3290 (or any of the LUs into which it can be divided) is in partitioned format mode, there are various ways in which:

- The partitions are initialized with one or more logical pages from the output message.
- The operator subsequently controls the flow of logical pages to the partitions.
- One particular partition becomes the *active partition*.

Initialization and operator-controlled paging are determined by selecting one of the three options. The option is specified by the PAGINGOP operand of the PDB. According to the selected option, initialization can consist of:

1. The message's first logical page going to the appropriate partition
2. The message's initial logical pages going to their appropriate partitions until the second logical page of any partition is reached
3. Each partition receiving its first appropriate logical page

The option also determines whether operator-controlled paging is affected, depending on which partition is active.

When the 3290 enters partitioned format mode, one particular partition is the *active* partition. This is determined in one of two ways:

- Logical pages are routed to their partitions using DPAGE statements. An ACTVPID operand might have been specified on one of the DPAGEs that points to an initialized partition. The ACTVPID allows the application program to declare which partition is the active partition.
- If no ACTVPID keywords are encountered, the active partition is the partition defined by the first PD statement in the PDB.

The active partition can be a partition that has not initially received any data.

Related concepts

[“3290 in partitioned format mode” on page 516](#)

Support of 3290 partitioning and scrolling is provided for devices defined to IMS as SLU 2 terminals. Partitioning and scrolling are not provided for devices using non-SNA VTAM.

3180 screen formatting

Like the 3290, the 3180 terminal is supported by IMS as an SLU 2 device. Partitioning and scrolling support for the 3180 is similar to what is provided for the 3290.

Exceptions: For the 3180:

- Only one partition with specific size limits can be defined. (For the 3290, multiple partitions of various sizes can be defined.)
- Logical unit display screen size and viewport location cannot be specified in picture elements (pels). (The 3290 supports pels.)
- You cannot specify an active partition. (For the 3290, active partitions can be specified.)

These restrictions apply only if you want the 3180 screen size when it is connected to IMS to differ from the 3180 screen size when it is connected to other subsystems. If no change is required, the 3180 customer set up installation instructions can be used and no special IMS code is necessary.

Device compatibility with previous versions of MFS

If you choose not to define 3270 devices during IMS system definition using the device type symbolic name (option 1), no changes to device format definitions are needed.

If you choose to define 3270 devices during IMS system definition using a device type symbolic name (3270-An) (options 2, 3, and 4), in some cases you must make changes in your 3270 device format definitions.

The examples in the following table include the recommended standard for relating the device type symbolic name to the screen size:

Table 115. MFS device definition compatibility for 3270 devices

Device and Screen Size	Device and Screen Size ¹	New IMS System Definition ¹
3275 or 3277 (12X40)	MFS: DEV TYPE= (3270,1) Model 1	MFS: DEV TYPE= 3270-A5 ^{2,4}
3275, 3276, 3277, 3278 (24X80)	MFS: DEV TYPE= (3270,2) Model 2	MFS: DEV TYPE= 3270-A2 ^{2,4}
3276, 3278 (12X80)	MFS: DEV TYPE= (3270,1) Model 1	MFS: DEV TYPE= 3270-A1 ^{2,3}
3276, 3278 (32X80)	MFS: DEV TYPE= (3270,2) Model 2	MFS: DEV TYPE= 3270-A3 ^{2,3}
3276, 3278 (43X80)	MFS: DEV TYPE= (3270,2) Model 2	MFS: DEV TYPE= 3270-A4 ^{2,3}
3278 (27X132)	MFS: DEV TYPE= (3270,2) Model 2	MFS: DEV TYPE= 3270-A7 ^{2,3}

Notes:

1. For screen sizes specified in type or terminal macro.
2. If the format will be used on the new device and will not be used on the old device, change TYPE= (3270,1) or (3270,2) to 3270-An with the corresponding screen size, and recompile.
3. See option 3 in the following table.
4. See option 4 in the following table.

The following table lists the advantages and disadvantages of selecting a specific option for the larger screen device and the required action if you choose to use existing device formats.

Table 116. Advantages and disadvantages of larger screen device

Option	Advantage	Disadvantage	Conversion Action Required
1	You can use existing MFS formats unchanged.	You cannot use full screen.	No (Use current formats as shown in the previous table.)
2	You can use full screen.	You must design new device formats.	No (Define new formats.)
3	You can use existing formats as a migration path on the new screen device and you can gradually replace them with new device formats.	You must modify existing device formats to use the device symbolic name.	Yes (Refer to the previous table.)
4	Consistency in definition for current and new screen sizes.	You must modify all formats.	Yes (Refer to the previous table.)

IBM 3278-52/3283-52 and IBM 5550 family (as 3270) compatibility

The message format definitions for the IBM 3278-52/3283-52 are upwardly compatible. However, message formats created with Kanji functions for the 5550 family of devices cannot be used on the IBM 3278-52/3283-52.

Existing 3270 and IBM 5550 family (as 3270) compatibility

Note the following when adding field outlining and input control specifications to existing 3270 and 3278-52/3283-52 message formats:

- Field outlining
 - For the 3270 display, left line, right line, overline, and underline do not take up a position in the user field. The application program does not have to be modified unless dynamic modification of extended attributes is performed.
 - For the SCS1 printer, MFS reserves print positions for left and right lines. If a field starts from the leftmost column or ends at the rightmost column, the left or right line is not printed correctly because room is not available. To correct this, modify the application program to truncate 1 byte. If two adjacent fields are logically one and the overline and underline should connect, the application program does not have to be modified.

In either case, for dynamic modification, the application program must be modified.

- DBCS/EBCDIC mixed fields
 - For 3270 displays, the SO/SI control characters take up 1 byte on the screen. This means that the length on the display is equal to the message format length. Therefore, the existing application program does not have to be changed.

When assigning DBCS/EBCDIC mixed data to an existing EBCDIC field, the application program must check that the SO and SI are paired, that the EGCS data is of even length, and that neither the SO nor SI is truncated when the MFLD is mapped to the DFLD.
 - For SCS1 printers, MIX/MIXS must be specified when using DBCS/EBCDIC mixed data. In this case, the message length and the length of the output differ and the application program must modify the MFLD according to each field's characteristics.

Converting MFS 3270 device formats to symbolic name formats using STACK/UNSTACK

The IMS MFS language utility's compilation statements STACK and UNSTACK can be used to convert existing MFS 3270 device formats to the user-defined device type symbolic name formats. The STACK statement is used to delineate one or more SYSIN or SYSLIB records, and to request that those records, once processed, be kept in storage for use at a later time. The UNSTACK statement requests retrieval of a previously processed stack of SYSIN/SYSLIB records.

For example, with the following existing 3270 format definition:

```
label    FMT
         DEV          TYPE=(3270,2), ...
         DIV          TYPE=INOUT
         DPAGE        CURSOR=((2,3))
label    DFLD
label    DFLD
label    DFLD
         FMTEND
```

You can create a user-defined device type symbolic name (using TYPE=3270-An) format for the large screened display devices by using the DEV statement and the compilation statements STACK and UNSTACK as follows:

```
label    FMT
         DEV          TYPE=3270,2,...
         STACK       ON
         DIV          TYPE=INOUT
         DPAGE        CURSOR=((1,2))
label    DFLD
label    DFLD
label    DFLD
         STACK       OFF
         DEV          TYPE=3270-A2,...
```

```
UNSTACK
FMTEND
```

The UNSTACK statement causes the statements between STACK ON and STACK OFF to be duplicated. In addition to the 3270 model 2 device format, a device format is created for the 3270-A2, which has the same device layout as the 3270 model 2.

3270 device format conversion example

This example is provided to clarify MFS device definition compatibility for 3270 devices.

Assume that the installation has 3270 model 1 and model 2 display devices and has installed additional display devices with 12x80, 24x80, 32x80, and 43x80 screen sizes. A new IMS system definition was performed for the additional devices, and the 3270 model 1 and model 2 devices were redefined to specify the device symbolic name.

The IMS system definition specifications for these 3270 displays were as follows:

- TYPE=3270-A1, SIZE=(12x80) for the additional devices with 12x80 screen size.
- TYPE=3270-A2, SIZE=(24x80) for the 3270 model 2 and additional devices with 24x80 screen size.
- TYPE=3270-A3, SIZE=(32x80) for the additional devices with 32x80 screen size.
- TYPE=3270-A4, SIZE=(43x80) for the additional devices with 43x80 screen size.
- TYPE=3270-A5, SIZE=(12x40) for the 3270 model 1 device.

The following MFS changes were required to convert existing 3270 model 1 and 2 device format definitions for use on the 3270 model 1, model 2, and on the additional devices:

Existing Definitions:

```
label  FMT
        DEV      TYPE=(3270,1)
        DIV      TYPE=INOUT
        DPAGE
label  DFLD      ...
label  DFLD      ...
label  DFLD      ...
        DEV      TYPE=(3270,2)
        DIV      TYPE=INOUT
        DPAGE
label  DFLD      ...
label  DFLD      ...
label  DFLD      ...
        FMTEND
```

Changes Applied and Recompiled:

```
label  FMT
        DEV      TYPE=3270-A5 (changed from (3270,1) to 3270
                           display with 12x40 screen size)
        STACK ON
        DIV      TYPE=INOUT
        DPAGE
label  DFLD      ...
label  DFLD      ...
label  DFLD      ...
        STACK OFF
        DEV    TYPE=3270-A1 (3270 display with 12x80 screen
                           size)
        UNSTACK
        DEV    TYPE=3270-A2 (changed from (3270,2) to 3270
                           display with 24x80 screen size)
        STACK ON
        DIV      TYPE=INOUT
        DPAGE
label  DFLD      ...
label  DFLD      ...
label  DFLD      ...
        STACK OFF
        DEV    TYPE=3270-A3(3270 display with 32x80 screen
                           size)
        UNSTACK ,KEEP
```

```

DEV          TYPE=3270-A4(3270 display with 43x80 screen
                size)
UNSTACK
FMTEND

```

After the changes are applied and recompiled, the new device formats are designed to take advantage of each screen size, and the previous format definition can be compiled again as follows:

```

label      FMT
           DEV          TYPE=3270-A5
           DIV          TYPE=INOUT
           DPAGE
label      DFLD          ...
label      DFLD          ...
label      DFLD          ...
label      DFLD          ...(existing device fields
                        using 12x40 screen size)
           DEV          TYPE=3270-A1
           DPAGE
label      DFLD          ...(new device fields using
                        12x80 screen size)
           .
label      DFLD          ...
           DEV          TYPE=3270-A2
           DIV          TYPE=INOUT
           DPAGE
label      DFLD          ...(existing device fields
                        using 24x80 screen size)
label      DFLD          ...
label      DFLD          ...
           DEV          TYPE=3270-A3
           DIV          TYPE=INOUT
           DPAGE
label      DFLD          ...(new device fields using
                        32x80 screen size)
           .
label      DFLD          ...
           DEV          TYPE=3270-A4
           DIV          TYPE=INOUT
           DPAGE
label      DFLD          ...(new device fields using
                        43x80 screen size)
           .
label      DFLD          ...
           FMTEND

```

3270 printer and SLU 1 compatibility

To use the extended attributes of color, highlighting, and programmed symbols, or to use the set vertical format or set line density data streams, you might need to modify your application programs.

Additional 3270 printer devices attached to a non-SNA control unit compatible with the currently installed 3270 printer devices use the existing 3270P model 1 or model 2 device formats. For the printer buffer, they use the existing IMS system definition with 480 characters (current model 1) or 1920 characters (current model 2).

MFS users choosing to change device attachment to SLU 1 must change their MFS device format definitions as shown in the following table. The following table lists the current device, the MFS device type, new control units, system definitions, and MFS device types, and the z/OS changes required.

Table 117. MFS device definition compatibility for 3270 printers and SLU 1 devices

Current Device	Current MFS DEV TYPE	New Device or Control Unit	New IMS System Definition	New MFS DEV TYPE	z/OS Changes Required
3284/3286	3270P	3827/3289 attached to a 3274 or 3276 SNA control unit	SLUTYPE1	SCS1	See Note

Table 117. MFS device definition compatibility for 3270 printers and SLU 1 devices (continued)

Current Device	Current MFS DEV TYPE	New Device or Control Unit	New IMS System Definition	New MFS DEV TYPE	z/OS Changes Required
----------------	----------------------	----------------------------	---------------------------	------------------	-----------------------

Note:

Change DEV TYPE=(3270P,n) to DEV TYPE=SCS1 and recompile. Or, if all printers are not changed to the new device or control unit, add the following after DEV TYPE=3270P and recompile:

```
STACK ON
(3270P DPAGE, DFLD statements)
STACK OFF
DEV TYPE=SCS1
UNSTACK
```

SLU P compatibility

Application programs written for other MFS-supported devices can execute unchanged with SLU P (DPM-An) devices once the DIFs and DOFs appropriate for the DPM devices are defined.

Changes might be required if the program depends on unique device-dependent features such as premodified fields on a 3270 display. The program would execute unchanged only if the premodified fields presented to the remote program are returned in the input message. This requires that the remote program properly interpret the attribute bytes of the output message field and handle the indicated device function in a way that satisfies the requirements of the IMS application program.

Existing IMS application programs that do not use MFS might have to be changed to adjust to the appropriate 3600 or 3790 buffer size and to ensure that message text is a compatible subset of the SCS character string.

Enhancing system performance of MFS message and device formats

The design of message and device formats usually has only a minor effect on the time or resources required to edit a message. It can, however, have a considerable effect on transmission and response time.

Enhancing system performance of MFS-supported devices

To enhance system performance when using MFS-supported devices, you can do the following.

Evaluating the message format buffer pool operation

The IMS /DISPLAY POOL command can be used to evaluate the message format buffer pool operation.

The objective should be to reduce the value of:

```
I/O+DI (The sum of the numbers of fetch
REQ1    I/O operations and directory I/O operations
        divided by the number of block requests from
        the pool.)
```

Hints and tips for improving performance

To reduce this value, do one or more of the following:

- Reduce format block I/O. The most significant and tunable portions of MFS processing cost are the CPU cycles and channel/device time required to read format blocks. To reduce format block I/O, use the following techniques:

- Evaluate and implement `$$IMSDIR`, the optional MFS index directory. Index the selected MFS control blocks based on how frequently they are used. In most cases, using `$$IMSDIR` eliminates one read per format block during online operation.
- Increase the size of the MFBP (Message Format Buffer Pool).
- Increase the number of fetch request elements (FREs).
- Minimize the number of segments. Messages should be segmented for application program convenience or to meet segment size restrictions. Segment processing in MFS and DL/I requires a considerable number of CPU cycles, so do not segment unnecessarily.
- Use option 2 input. In some cases, the application input can be segmented so that no device input can be presented for segments under certain conditions. In such cases, option 2 input messages reduce processing time slightly and reduce IMS message queue space requirements.
- Use option 3 input. Option 3 input can provide better performance than option 1 or 2 if many fields are defined, but only a few fields are received on input. Additional buffer pool space is required during editing, but message queue space requirements are reduced. When most of the defined fields are received on input, option 3 performance is not as good as 1 or 2, either in processing time or in message queue space.
- Combine multiple DFLD literals. When multiple DFLD literals are positioned at adjacent or nearly adjacent device field locations, consideration should be given to combining the literals in fewer DFLD literal definitions. The only limitation to the number of literals combined is the maximum DFLD literal length. Combining DFLD literals reduces block size, reducing MFS processing time and, for 3270 or SLU 2 display devices, reducing transmission time.
- Do not define DFLDs that are not referred to by any MSG descriptor. Such DFLDs occupy block space and, if used extensively, could adversely affect MFS processing time.
- Combine output message fields if appropriate. Where multiple, contiguous, output message fields of a segment map to contiguous device fields of the same relative length, consider combining both the message fields and the device fields so that a single message field maps to a single device field. The greatest potential advantage is in those situations where only one blank separates the displayed fields, and message data is always present and equal to the device field length.

Combining message fields is not recommended, however, in cases where an additional formatting burden would be placed upon the application program.

- Do not define duplicate formats. If duplicate libraries exist in the concatenated libraries, there is no guarantee that the copy from the first library will be fetched.
- Do not define separate formats for simple input. Most MFS device formats should include some user input fields that allow the operator to enter any simple transaction or command, related or not related to the application for which the format was designed. Any format requires four control blocks, and formats designed specially for simple input should not be defined unnecessarily.

Related reference

[“Input message formatting options” on page 463](#)

MFS supports three message formatting options. The option selected determines how MFS interprets the MID definition and thereby formats the data into message fields for presentation to the application program.

[/DISPLAY POOL command \(Commands\)](#)

Enhancing system performance of 3270 or SLU 2 display devices

To enhance system performance when using 3270 or SLU 2 display devices, you can do the following.

- Use preformatted screens. This is the most significant performance consideration for MFS when 3270 or SLU 2 display devices are used. Significant amounts of data are usually required to define fields and establish literals on a screen. These field definitions and literals do not always have to be transmitted. If the format on the device can be used, transmission time for remote terminals can be reduced up to 50 percent.

- Pad message output with nulls. The use of the FILL=NULL or PT option in the DPAGE statement reduces the amount of data transmitted to the device and the amount of processing required to format the output.
- Reduce mixed-mode operations. A mixed mode operation occurs when the selector light pen is used on an immediately detectable field and other fields on the device are modified. The mixed mode operation requires multiple I/O operations that increase response time, line utilization, and processing time. In addition, the resulting message contains the same data as would be produced by the enter key except for the indication that the selector pen was used.
- Use paging requests. Where application design permits, the PA1 (program access key 1) page advance facility should be used instead of operator entry of a logical page request. The PA1 facility requires less operator action and less communication line time, and does not require input editing before page request processing.
- Define the length of a literal DFLD followed by a nonliteral DFLD to include space between the last significant literal character and the position preceding the attribute position of the nonliteral field. This action can reduce block size and character transmission but should only be considered when the separating space is between two and five characters.
- Increase the length of DFLDs with the PROTECT attribute. When a nonliteral DFLD is defined with the PROTECT attribute, separated from the next device field by two or more blanks, and is expected to receive output data, consider increasing its length. The output data can originate from an application program, a /FORMAT command, or an MFLD literal. Multiple MODs can be used to map message data to the DFLD. Increasing DFLD length should reduce character transmission unless character fill (FILL=C' ') is specified. Specifying FILL=C' ' is not recommended.
- Minimize the use of the CLEAR key. Advise terminal operators not to use the CLEAR key unnecessarily. In addition, explain to terminal operators the proper use of other function keys such as the ERASE INPUT and ERASE EOF.

Design screen formats with the objective of minimizing the use of the CLEAR key. Allow simple input from a formatted screen. To provide for this capability, establish the same device field location of all formatted screens as the standard device field for simple input. Enforce this standard for all format definitions.

Decreasing CLEAR key usage can improve response time and use communication lines more effectively.

3270 or SLU 2 devices with large screens

If pages are combined for display on large screens, operator paging is reduced proportionally to the reduction of number of pages. If the OUTBUF keyword of the IMS system definition TERMINAL macro or ETO logon descriptor cannot specify the amount of data for an entire page, more than one VTAM SEND is required to send the page.

Related concepts

[“3270 or SLU 2 screen formatting” on page 411](#)

MFS is designed to transmit only required data to and from the 3270 display device. Device orders to establish fields and display literals can cause significant transmission time, because there can be more orders and literal data than program data.

[Extended Terminal Option \(ETO\) \(Communications and Connections\)](#)

SLU P and ISC subsystems with DPM

If OPTIONS=PPAGE is specified in the DIV statement, the set of fields in a PPAGE (presentation page) is transmitted together in one or more records. Additional presentation pages are sent on request of the remote program or ISC subsystem for demand paging. This level of paging is the simplest for the remote program or ISC subsystem to process but imposes the most burden on IMS processing time.

If OPTIONS=DPAGE is specified, all fields within a logical page are transmitted together in one or more records. Additional logical pages are sent on request of the remote program or ISC subsystem for demand paging. This level of paging makes it more difficult for the remote program or ISC subsystem to process the data if more than one presentation page is included, but imposes less burden on IMS processing time.

If `OPTIONS=MSG` is specified, all the data within a message is sent together and no paging is performed. This technique might require more processing and logic in the remote program or ISC subsystem but is the best for IMS performance if all pages are actually used by the remote program or ISC subsystem. If many pages are not used by the remote program or ISC subsystem, this option results in unnecessary line traffic and IMS processing.

If autepage is specified (SCA byte 1, bit 5) and option `PPAGE` or `DPAGE` is desired for `DPM-Bn`, all data within the message is sent and no demand paging is performed.

The `RCD` statement can be used to influence the placement of fields within records. The `DFLD` that follows the `RCD` statement begins in the first user data location of a new record. Fields can be placed in records so that no field spans a record boundary, or so that logically related fields appear together in the same record.

Restriction: For ISC subsystems, fields cannot span records.

Use of the `RCD` statement to set record boundaries can reduce transmission time and IMS processing time only if records of maximum length are created. If field placement into records is controlled using the `RCDCTL` specification only, the `SPAN` option causes the minimum number of records to be sent to the remote program. Use of `SPAN` requires, however, that the remote program put together the fields that have been split across records.

Loading programmed symbol buffers

If programmed symbol (PS) buffers are desired and if they have not been loaded by another means (for example, a VTAM application), the buffers must be loaded.

Using an application program to determine whether programmed symbol buffers are loaded

The buffers might have been loaded with the desired programmed symbols by a previous user of the device, and this knowledge can save resending the entire programmed symbol data stream. A handwritten log at the device is one method of maintaining the current status of the programmed symbol buffers for subsequent users.

About this task

Another method is a user-written application program that attempts to use the desired programmed symbols. If the desired programmed symbols are already loaded, the output from the application program is successfully displayed at the device. If the programmed symbols are not loaded, the output message is returned to the IMS message queue, the terminal is made inoperable, and a message is sent to the master terminal operator (MTO). The MTO should have a procedure to correct this condition. For example, the MTO could do one of the following:

- Reassign the `LTERM`, assign an `LTERM` that has the correct PS load message, restart the terminal, and then reassign the first `LTERM` back to the terminal.
- If the terminal does not have PS capability, reassign the `LTERM` to one that does.
- If the terminal does not have PS capability, dequeue the rejected message.

Exception: For an SLU 2 terminal, the output rejected was not a response mode reply. In this case, the MTO receives the error message and can try to enter a transaction that would cause the buffers to be loaded.

How to load programmed symbol buffers

If the operator knows the programmed symbol buffers need to be loaded (because the device was just turned on), the operator should enter a response mode transaction that loads the programmed symbols.

About this task

Make available, to all users at the installation, a user-written application program to load the programmed symbols. The first part of the message sent by this application program should be the programmed

symbol data stream, and the remainder should be some user data displayed at the device (such as THE PROGRAMMED SYMBOL LOAD FOR *programmed-symbol-name* COMPLETE). The user data displayed at the device informs the terminal operator when the programmed symbols have been loaded. This application program should use the MFS bypass option, because the write structured field (WSF) 3270 command used to send the programmed symbol message is only supported by IMS through the MFS bypass option.

When the programmed symbol buffers that are to be loaded include a printer or a different display, other techniques must be used. Programmed symbol buffer loads are restricted to 3 KB for BSC-attached devices.

For example, the following shows the loading of a programmed symbol buffer using an automated operator interface (AOI) application program.

Procedure

1. The operator at display A enters a transaction (response or conversational) requesting programmed symbol loads for display A, printer B, and display C.
2. Another AOI transaction assigns LTERMs for printer B and display C, temporarily, to a special PTERM. The AOI program assigns dummy LTERMs to printer B and display C.
3. The AOI program inserts a programmed symbol message to the dummy LTERMs of printer B and display C.
4. The AOI program sends programmed symbol messages to display A.
5. The operator visually verifies messages on both displays and the printer and confirms that the transaction executed correctly.
6. Another AOI transaction reassigns LTERMs to their original status.

Solving programmed symbol load problems

If a hardware error occurs while a programmed symbol buffer is being loaded, then the following actions occur.

Procedure

1. The programmed symbol load message is returned to the IMS message queue.
2. The terminal is taken out of service, except for SLU 2 devices when programmed symbols are not available.
3. The error is logged to the IMS log.
4. A message is sent to the IMS master terminal.

Results

Once the hardware error is corrected and the terminal is in service, the programmed symbol load message is re-sent.

If the programmed symbol load failed because of an error in the programmed symbol load message, the operator must:

1. Dequeue (/DEQ) the message (the master terminal operator might have to issue the /DEQ command).
2. Correct the error.
3. Reenter the transaction to send the programmed symbol load message again.

If a method is available for informing the next user of the programmed symbol buffer status, then the terminals with loaded programmed symbol buffers should not be turned off. When a power failure occurs, or a terminal is turned off, the contents of the programmed symbol buffers are lost.

When a terminal is turned on and no IMS messages are waiting to be sent to the display, load all required programmed symbol buffers using an IMS transaction (or some non-IMS method). However, if IMS messages are waiting to be sent, and these messages require the use of one or more programmed symbol

buffers, the sending of the queued messages must be delayed until the programmed symbol buffers can be reloaded. This can be accomplished using response mode transactions to load the programmed symbol buffers.

If the programmed symbol buffers are not loaded and a message that requires a programmed symbol buffer is sent to the terminal, the following actions take place:

- For non-SLU 2 devices, IMS takes the terminal out of service, sends a message to the master terminal, and returns the output message to the message queue.
- For SLU 2 devices, the message is rejected and a sense code is returned to IMS. IMS then:
 - Returns the invalid message to the IMS queue.
 - Logs the error to the IMS log.
 - Sends an error message to the IMS master terminal if the output was a response mode reply, and takes the terminal out of service. If it is not in response mode, the error message is sent to the terminal and it is left in protected mode.

If the user-written application program is designed to queue an unsolicited message requiring a particular programmed symbol load buffer to an LTERM, the first part of the message could include a load programmed symbol data stream; however, this message could not be processed by MFS.

When a message is waiting on the IMS queue for a terminal and requires a programmed symbol that is not loaded, perform one of the following:

- If the terminal is attached by VTAM, load the programmed symbol buffers using a VTAM application.
- If a queued message requires a programmed symbol buffer and it is "normal" user output (for example, the output is not response mode or conversational), then the use of a response mode transaction to load the programmed symbol buffer permits the queued message to be properly displayed. If loading the buffers requires multiple messages, multiple response mode transactions can be used.
- Dequeue (/DEQ) the message (or have the master terminal operator dequeue the message) requiring use of a programmed symbol buffer; enter a transaction to load the programmed symbol buffer required; and then reenter the transaction that originally generated the queued message.
- Temporarily assign the LTERM to which the message is queued to another physical terminal. Load the programmed symbol buffer, then reassign the LTERM to the original physical terminal. The LTERM must be assigned to a terminal that will not cause a message to be sent (as, for example, a 3270 display or SLUTYPE2 that is in protected screen mode).

MFS definitions for intersystem communication

The following prototype MFS definitions can be used in an intersystem communication (ISC) system between IMS and CICS.

In this example:

- CICS can request MFS editing with either 8-byte or 4-byte names.
- Messages from CICS can be multiple-page input or single-page input.
- Output to CICS can be one message of one page or multiple pages with one or more segments.
- Demand paged or autopaged output can be requested of IMS.

These formats can also be used by a 3270 terminal operator who wants to send a message to CICS using an IMS message switch. Or, for example, an IMS message switch can be invoked by a user at a 3270 terminal, the message can be switched to CICS, and a reply is returned from CICS to IMS and then to the 3270 terminal. The routing is handled by MFS. The following samples show the MFS definition format.

FMTDIS	FMT	
	DEV	TYPE=3270-A2, FEAT=IGNORE
	DIV	TYPE=INOUT
DFLDIND1	DFLD	LTH=5, POS=(1, 2)
DFLDIND2	DFLD	LTH=100, POS=(1, 8)
	FMTEND	
FMTDP2	FMT	
	DEV	TYPE=DPM-B1, FEAT=IGNORE,

		MODE=RECORD , DSCA=X'00A0'	X
PPAGE1	DIV	TYPE=OUTPUT , OPTIONS=(MSG , NODNM)	
DFLDOUT1	PPAGE		
DFLDOUT2	DFLD	LTH=5	
	DFLD	LTH=100	
FMTDPM	FMTEND		
	FMT		
	DEV	TYPE=DPM-B1 , FEAT=IGNORE , MODE=RECORD	
	DIV	TYPE=INPUT , OPTIONS=(DPAGE , NODNM) ,	X
		PRN=DFLDINP3 ,	X
		RDPN=DFLDINP4 ,	X
		RPRN=DFLDINP5	
PPAGE2	PPAGE		
DFLDINP1	DFLD	LTH=5	
DFLDINP2	DFLD	LTH=100	
	DIV	TYPE=OUTPUT , OPTIONS=(DPAGE , NODNM)	
DPAGE2	DPAGE		
DPAGE3	PPAGE		
DFLDOUT3	DFLD	LTH=5	
DFLDOUT4	DFLD	LTH=100	
	DFLD	SCA , LTH=2	
	FMTEND		
MFSMOD1	MSG	TYPE=OUTPUT , SOR=(FMTDP2 , IGNORE) ,	X
		NXT=MFSMID1	
	SEG		
	MFLD	DFLDOUT1 , LTH=5	
	MFLD	DFLDOUT2 , LTH=100	
	MSGEND		
MFSMODE2	MSG	TYPE=OUTPUT , SOR=(FMTDPM , IGNORE) ,	X
		NXT=MFSMID1	
	SEG		
	MFLD	DFLDOUT3 , LTH=5	
	MFLD	DFLDOUT4 , LTH=100	
	MFLD	(, SCA) , LTH=2	
	MSGEND		
MFSMID1	MSG	TYPE=INPUT , SOR=(FMTDPM , IGNORE) ,	X
		NXT=MFSMODD	
	SEG		
	MFLD	DFLDINP1 , LTH=5	
	MFLD	DFLDINP3 , LTH=8	
	MFLD	DFLDINP4 , LTH=8	
	MFLD	DFLDINP5 , LTH=8	
	MFLD	DFLDINP2 , LTH=100	
	MSGEND		
MFSMIDD	MSG	TYPE=INPUT , SOR=(FMTDIS , IGNORE) ,	X
		NXT=MFSMOD1	
	SEG		
	MFLD	DFLDIND1 , LTH=5	
	MFLD	DFLDIND2 , LTH=100	
	MSGEND		
MFSMODD	MSG	TYPE=INPUT , SOR=(FMTDIS , IGNORE) ,	
		NXT=MFSMIDD	
	SEG		
	MFLD	DFLDIND1 , LTH=5	
	MFLD	DFLDIND2 , LTH=100	
	MSGEND		
	END		

MFS message formats

Use these topics if your application programs communicate with devices by using Message Format Service (MFS).

Input message formats

MFS edits input data from a device into an IMS application message format using the message definition that the MFS application designer writes as input to the MFS language utility program. An input message consists of all segments presented to an IMS application program when the program issues a DL/I GU or GN call.

The format of input messages is defined to the MFS Language utility. Each message consists of one or more segments; each segment consists of one or more fields:

Message field format is defined specifically to the utility in terms of data source, field length, justification, truncation, and use of fill (pad) characters. How MFS actually formats the field is a function of the formatting option selected for the message. The option used is identified in the second byte of the 2-byte ZZ field (Z2) preceding the message text. An application program that depends on MFS should check this field to verify that the expected option was used; a X'00' in the Z2 field indicates MFS did not format the message.

Logical pages

For 3270 or SLU 2, the input message is created from the currently displayed DPAGE on the device. For some other devices, if the device input format has more than one DPAGE defined, the device data entered determines which input LPAGE is selected to create an input message. However, for ISC (DPM-Bn) subsystems, OPTIONS=DNM or COND= can be used for DPAGE selection.

When LPAGEs are defined, each LPAGE is related to one or more DPAGEs.

Related reference

[“Input message formatting options” on page 463](#)

MFS supports three message formatting options. The option selected determines how MFS interprets the MID definition and thereby formats the data into message fields for presentation to the application program.

Device-dependent input information (3270 or SLU 2)

Using certain options for inputting information can make the application program device-dependent.

Cursor location

As an option of the MFS Language utility, a field in the message can contain the location of the cursor on the device when input was transmitted to IMS. This option is only available for 3270 or SLU 2 display devices and its use can make programs device-dependent. The format of the cursor information is two 2-byte binary numbers, the first containing the line number, the second containing the column number. The minimum value for the line or column is 1. For 3270-An device types, the maximum value for the line is the first parameter of the SIZE= operand; the maximum value for the column is the second parameter of the SIZE= operand.

The table below lists the maximum line and column values for MFS device types.

Table 118. Maximum line and column values for 3270 device types

MFS Device Type	Maximum Value	
	Line	Column
3270,1	12	40
3270,2	24	80
3270-An		
SIZE=(12,40)	12	40
SIZE=(12,80)	12	80
SIZE=(24,80)	24	80

Table 118. Maximum line and column values for 3270 device types (continued)

MFS Device Type	Maximum Value	
	Line	Column
SIZE=(32,80)	32	80
SIZE=(43,80)	43	80
SIZE=(27,132)	27	132
SIZE=(62,160)	62	160

Selector pen

Use of the selector light pen can affect input fields in several ways:

- If the ATTR output field option is not used dynamically to create detectable fields, the following occurs:
 - A message field that refers to device fields defined with the attributes DET,STRIP is presented as a device-independent field.
 - The first data byte available for the message field is the byte beyond the designator character in the device field.
 - A message field that references device fields defined with the attributes IDET,STRIP is also presented with device-independent data.
 - The designator character is removed.
 - Data from this field is not presented if no modified fields exist on the device when the field is selected. In this case, the only device information available for the message is the value specified for *literal* on the PEN= operand of the DFLD statement.
- If the ATTR output field option is used dynamically to create detectable fields, then the following occurs:
 - Fields dynamically established as either deferred detectable or immediate detectable do not have designator characters removed from input.
 - If a field altered to immediate detectable is selected when no other fields on the device are modified, no device input data is available for the message.
- If a message field is defined to receive immediate detect selector pen literal data, one of the following occurs:
 - If device input is not the result of an immediate selector pen detect, the field is padded as requested.
 - If device input is the result of an immediate selector pen detect, but at least one other field on the device is modified, one data character of a question mark (?) is presented in the field with the requested padding.
 - If the device input is the result of an immediate selector pen detect and no other modified fields exist on the device, that literal is placed in the message as requested if the detected field is defined with a PEN=*literal*. If the detected field is not defined with a PEN=*literal*, one data byte of a question mark (?) is placed in the message field. In either case, no other device information is provided.
- If an EGCS attribute is defined for a light-pen-detectable field, you should specify ATTR=NOSTRIP on the DFLD statement and design your application program to bypass or remove the two designator characters from the input data. If ATTR=STRIP is specified or defaulted, MFS removes only the first designator character and truncates the last data character in the field.

Magnetic stripe reading devices

The use of magnetic stripe reading devices is transparent to the application program. For operator identification (OID) card readers, the framing characters (SOR, EOR, EOI, LRC) are removed and parity checking is performed before editing.

Program function keys

Use of program function keys is transparent to the application programs.

Program access keys

Program access key information is not available to application programs.

Output message formats

MFS edits output segments created by an IMS application program into a device format suitable for the device or remote program for which the message is destined.

Normally, the output segments from the IMS program contain no device-related data. All information needed for output to a device or remote program is provided when the message format is defined to the MFS Language utility program. For a remote program with DPM, specific device-dependent information is provided by the remote program without interpretation by MFS.

An output message consists of all segments presented to IMS with an ISRT call between a GU call to the I/O PCB and either a PURG call, another GU call to the I/O PCB, or normal program termination.

The format of output messages is defined to the MFS utility just like the format of input messages—one or more segments, each with one or more fields.

```
MESSAGE
  SEGMENTs
    FIELDs
```

Logical pages

Output segments can be grouped for formatting by defining logical pages (LPAGE statement).

```
MESSAGE
  LPAGEs
    SEGMENTs
      FIELDs
```

When LPAGEs are defined, each LPAGE is related to a specific DPAGE that defines the device format for the logical page. If LPAGEs are not defined, MFS considers the defined message as one LPAGE and the rules that apply for messages with one LPAGE apply. Those rules are:

When a message has one LPAGE with one segment, each segment inserted by the application program is edited in the same manner.

When a message has one LPAGE with multiple segments, message segments must be inserted in the defined sequence. Not all segments in an LPAGE must be presented to IMS, but be careful when segments are omitted. An option 1 or 2 segment can be omitted if all segments to the end of the LPAGE are omitted; otherwise, a null segment must be inserted to indicate segment position. Option 3 output message segments can be omitted but the segments sent must include the segment number identifier.

Multiple series of segments can be presented to IMS as an output message. If the LPAGE is defined as having N segments, segment N+1 is edited as if it were segment 1, unless a segment with the page bit (X'40') in the Z2 field is encountered prior to segment N+1. When multiple series of output segments are presented and segments are omitted, the segment which begins a series must have bit 1 (X'40') of the Z2 field turned on.

When a message has multiple LPAGEs, data in the first segment of a series determines which LPAGE the series belongs to, which determines the editing to be performed on the segments. If the LPAGE to be

used cannot be determined from the first segment of a series, the last LPAGE defined is used. Rules for segment omission are the same. A bit in the Z2 field (X'80') of the message indicates structured data is present in the outbound data stream. An output message using structured data must either define the MODNAME as blanks or binary zeros, or use MFS bypass.

Segment format

Each output segment has a 4-byte prefix that defines the length of the segment and, if required, specifies whether the segment is the first segment of an LPAGE series.

Option 3 output messages must contain an additional two bytes identifying the relative segment number within the LPAGE series. The following table illustrates the format of an output segment.

Table 119. Format of an output segment

Length of Message Segment	1-Byte Field Reserved for IMS	1-Byte Field Used by Application	2-Byte Field for LPAGE	Parameters
LL	Z1	Z2	SN	FIELDS

Where:

LL

This is a 2-byte binary field representing the total length of the message segment, including LL, Z1, and Z2 and if present, SN. The value of LL equals the number of bytes in text (all segment fields) plus 4 (6 if option 3). The application program must fill in this count. If a size limit was defined for output segments of a transaction being processed, LL must not exceed the defined limit.

Restriction: The segment length must be less than the message queue buffer data size (buffer size—prefix size) specified at IMS system definition. The segment length can be less than the length defined to the MFS Language utility. If a segment is inserted that is larger than the segment defined to the MFS utility, the segment is truncated. No error messages are issued. Fields truncated or omitted are padded as requested in the format definition to the MFS Language utility.

When PL/I is used, the LL field must be defined as a binary fullword. The value provided by the PL/I application program must represent the actual segment length minus two bytes. For example, if an output message segment is 16 bytes, LL=14 and is the sum of: the length of LL (4 bytes - 2 bytes) + Z1 (1 byte) + Z2 (1 byte) + TEXT (10 bytes).

Z1

This is a 1-byte field containing binary zeros and is reserved for IMS.

Z2

This is a 1-byte field that can be used by the application program for control of various output device functions.

For more information on this field, see *IMS Version 15.5 Communications and Connections*.

SN

For option 3 only. This is a 2-byte binary field containing the relative segment number of the segment within the LPAGE. The first segment is number 1.

A NULL segment can be used to maintain position within a series of option 1 or 2 output segments within an LPAGE. A null segment must be used if segments in the middle of an LPAGE series are to be omitted. If all segments to the end of the LPAGE series are to be omitted, null segments are not required. A null segment contains one data byte (X'3F') and has a length of 5.

The following example shows how to code a null character in COBOL.

Coding a null character in COBOL

```
ID DIVISION.
PROGRAM-ID. SAMPLPGM.
ENVIRONMENT DIVISION.
```

```

DATA DIVISION.
WORKING-STORAGE SECTION.
77 PART1 PIC 9(3) VALUE 123.
77 CUR-NAME PIC 99 COMP VALUE 0.
77 CUR-PART PIC 99 COMP VALUE 0.
01 NULLC.
02 FILLER PIC 9 COMP-3 VALUE 3.
01 LINE-A.
02 NAME-1.
03 NAME-2 OCCURS 30 PIC X.
02 PARTNUM.
03 PARTNUM1 OCCURS 10 PIC 9.
PROCEDURE DIVISION.
MOVE 'ONES' TO NAME-1.
MOVE 6 TO CUR-NAME.
MOVE NULLC TO NAME-2 (CUR-NAME).
MOVE 4 TO CUR-PART.
MOVE NULLC TO PARTNUM1 (CUR-PART).

```

Field format (options 1 and 2)

All fields in option 1 and 2 output segments are defined as fixed length and fixed position.

The data in the fields can be truncated or omitted by two methods:

- Inserting a short segment
- Placing a NULL character (X'3F') in the field

Fields are scanned left to right for a null character. The first null encountered terminates the field. If the first character of a field is a null character, the field is omitted (depending on the fill character used). Positioning of all fields in the segment remains the same regardless of null characters. Fields truncated or omitted are padded as defined to the MFS Language utility.

If ATTR=YES is specified in the MFLD definition, and if X'3F' is the first or second byte of the attribute portion of the field, the field is omitted and the attributes specified on the DFLD statement are used.

Related concepts

[“Output message formatting options” on page 483](#)

MFS provides three message formatting options for output data. The option selected determines how the data is formatted and governs the way in which the application program builds the output message.

Field format (option 3)

Under option 3 output, fields can be placed in their segments in any order and with any length that conforms to the segment size restriction.

Short fields or omitted fields are padded as defined to the MFS Language utility. Each field must be preceded by a 4-byte field prefix of the same format provided by MFS for option 3 input fields, as shown in the following table.

Table 120. Format of an option 3 output segment

Output Segment 1	Output Segment 2	Output Segment 3
FL	FO	DATA

Where:

FL

The length of the field, including the 4-byte field prefix. FL consists of 2 binary bytes, which require no alignment.

FO

The relative offset of the field in the segment, based on the definition of the message to the MFS Language utility. FO consists of 2 binary bytes, which require no alignment. The relative offset of the first field defined in the segment is 4. The relative offset of the second field is 4 plus the length of the first field as defined to the MFS Language utility.

Errors in the contents of FL and FO cause unpredictable results.

Option 3 fields do not need to be in sequence in the output segment, but all fields must be contiguous in the segment; that is, the field prefix of the second field must begin in the byte beyond the first field's data. Null characters in option 3 fields have no effect on the data transmitted to the device. They are treated as any other nongraphic characters; that is, replaced with blanks.

Device control characters are invalid in output message fields. For 3270 display and SLU 2 terminals, the control characters HT, CR, LF, NL, and BS are changed to null characters. For all other devices, these control characters are changed to blanks. All other nongraphic characters (X'00' through X'3F', and X'FF') are changed to blanks before transmission. For DPM devices, control characters are permitted if GRAPHIC=NO has been specified.

Related concepts

[“Output message formatting options” on page 483](#)

MFS provides three message formatting options for output data. The option selected determines how the data is formatted and governs the way in which the application program builds the output message.

Device-dependent output information

Using certain options for outputting information can make the application program device-dependent. Some options allow the application program to control certain features of devices receiving output. Descriptions of the effects of various output options follow.

System Control Area (SCA)

An option of the MFS Language utility allows the creation of an SCA field in the first segment of a message or, if LPAGEs are defined, in the first segment of any or all LPAGEs. This field allows application program control of specific device features when the features apply to the device for which the message is destined. The first 2 bytes of the SCA field are defined as shown in these tables:

Usage notes follow both tables.

Table 121. Valid bytes and bits for TYPE=3270, SLU 2, DPM-An, or DPM-Bn

Byte	Bit	Description
0	0-7	Should be 0.
1	0	Should be 1.
	1	Force format write (erase device buffer and write all required data).
	2	Erase unprotected fields before write.
	3	Sound device alarm.
	4	Copy output to candidate printer.
	5	B'0'—For 3270, protect the screen when output is sent. For DPM, demand paging can be performed.
		B'1'—For 3270, do not protect the screen when output is sent. For DPM-B, autopaging can be performed.
	6	For the partition formatted 3290: B'0'—do not erase existing partitions. B'1'—erase all partitions before sending message. For others, should be 0.
	7	Should be 0.

Table 121. Valid bytes and bits for TYPE=3270, SLU 2, DPM-An, or DPM-Bn (continued)

Byte	Bit	Description
Notes:		
		1. For the 3290 in partition format mode, the DOF on the current message is checked to see if it is the same DOF used last. If it is, bit 6 in the SCA and DSCA operands is checked for the erase/do not erase partitions option before the output message is sent.
		2. The default for bit 6 is B'0', "do not erase". If this bit is not specified, the output is sent according to the partition paging option specified, and partitions that do not receive output remain unchanged.
		3. If bit 6 is set to B'1', then existing partitions will be erased and the output is sent according to the partition paging option specified.
		4. The SCA bit settings are "OR'd" to the DSCA bit settings. For example, if byte 1 bit 5 in the DSCA for DPM-B is set to B'0' in the DSCA for DPM-B, the application program can request autopaged output by setting the SCA value to B'1'. (This request is honored only if present in the first segment of the first LPAGE of the output message.)
		5. SCA information is sent to the remote program or ISC subsystem in a DFLD identified by the parameter SCA. Any invalid bits for the device type are reset. The valid bits are used.

Table 122. Valid bytes and bits for TYPE=FIDS, FIDS3, FIDS4, FIDS7, FIJP, FIPB, or FIFP

Byte	Bit	Description
0	0-7	Should be 0.
1	0	Should be 1.
	1-2	Not applicable for FIN output devices.
	3	Set "device alarm" in output message header.
	4	Not applicable for FIN output devices.
	5-7	Should be 0.

Notes:

1. Bits 1, 2, and 4 function only for 3270 and are not applicable to finance workstations. If set on by the program, and the message is edited for a finance workstation, they are ignored.
2. For TYPE=SCS1, or SCS2, the SCA parameter is ignored.
3. For TYPE=3270P, all bits except "set device alarm" are ignored.

Cursor location

An application program can set the cursor location on the screen either by setting a cursor attribute for a field or by using a special cursor positioning field in the output message.

Recommendation: Use the cursor attribute method because the application program does not need to know the position of fields on a device.

Using an option of the MFS Language utility, you can define a field in an output segment to allow the application program to request cursor positioning to a specific line and column on the device. Depending on the device output format used, there can be one or more such fields per LPAGE. If the field contains an invalid number it is ignored and the cursor is positioned as requested in the device output format.

The cursor field should contain two 2-byte binary numbers (no alignment required), the first containing the line number, the second containing the column number. The minimum value for the line or column is 1. For 3270-An device types, the maximum value for the line is the first parameter of the SIZE= operand;

the maximum value for the column is the second parameter of the SIZE= operand. The following table lists the valid line and column values.

Table 123. Maximum line and column values for MFS device types

MFS Device Type	Maximum Value	
	Line	Column
FIDS (240 characters)	6	40
FIDS3 (480 characters)	12	40
FIDS4 (1024 characters)	16	64
FIDS7 (1920 characters)	24	80
3270,1 (480 characters)	12	40
3270,2 (1920 characters)	24	80
3270-An		
SIZE=(12,40) (480 characters)	12	40
SIZE=(12,80) (960 characters)	12	80
SIZE=(24,80) (1920 characters)	24	80
SIZE=(32,80) (2560 characters)	32	80
SIZE=(43,80) (3440 characters)	43	80
SIZE=(27,132) (3564 characters)	27	132
SIZE=(62,160) (9920 characters)	62	160

Related concepts

[“3290 in partitioned format mode” on page 516](#)

Support of 3290 partitioning and scrolling is provided for devices defined to IMS as SLU 2 terminals. Partitioning and scrolling are not provided for devices using non-SNA VTAM.

[“Output format control for ISC \(DPM-Bn\) subsystems” on page 503](#)

IMS supports the major output message formatting functions of MFS with ISC nodes.

Related reference

[“Input message formatting options” on page 463](#)

MFS supports three message formatting options. The option selected determines how MFS interprets the MID definition and thereby formats the data into message fields for presentation to the application program.

[“Dynamic attribute modification” on page 433](#)

An option of the MFS Language utility allows an IMS application program to dynamically modify, replace, or simulate the attributes of a device field.

Dynamic attribute modification

An option of the MFS Language utility allows an IMS application program to dynamically modify, replace, or simulate the attributes of a device field.

This dynamic attribute modification is requested in an output message definition by specifying ATTR=YES in an MFLD statement. MFS then reserves the first two data bytes of the output message field for attribute definition. Errors detected in the data of the 2-byte specification or X'3F' in the first or second attribute byte produce the results shown in the table below.

Attributes are always sent, even if no data is sent.

When dynamic attribute modification is specified for a device field with predefined attributes, an attribute is sent to the device for that field in every output operation, even if the data for this device field is not included in the output message. These attributes are used:

- If the output message field has an attribute and the attribute is valid, then the dynamic attribute modification is performed.
- If the message field is not included in the LPAGE being used or the attribute is not valid, the predefined attribute for the device field is used.

When attribute simulation is defined, the first byte of the device field is reserved for attribute data. The following attributes can be simulated:

- Cursor position (3604 display only)
- Nondisplayable
- High-intensity displayable
- Modified attributes

The two attribute bytes are defined in the following table.

Table 124. Definitions of the two attribute bytes

Byte	Bit	Definition
0	0-1	If both bits are on, requests that the cursor be placed on the first position of this field on the device. The first cursor-positioning request encountered in an LPAGE series (first MFLD with cursor attribute or cursor line/column value) that applies to a physical page is honored; these bits must be 00 or 11.
	2-7	Must be off.
1	0	Must be on.
	1	1. If on, these attribute specifications are to replace the attribute byte defined for the field. 2. If off, these attribute specifications are to be added to the attribute byte defined for the field logical "OR" operation. A zero in a bit position indicates that the defined attribute is to be used (that is, if bit 2 is 0 then the field will be protected or unprotected depending on the DFLD definition. A 1 in a bit position indicates that the corresponding attribute is to be used (that is, if bit 3 is 1 then the field will have the numeric attribute.)
	2	Protected
	3	Numeric
	4	High-intensity (forces detectable and displayable); if simulated, an * appears in the first byte of the device field.
	5	Nondisplayable (forces nondetectable); if simulated, no data is sent regardless of other attributes.
	6	Detectable (forces normal intensity).
	7	Premodified; if simulated, an underscore (_) appears in the first byte of the device field.

Table 124. Definitions of the two attribute bytes (continued)

Byte	Bit	Definition
------	-----	------------

Notes:

1. Bits 4, 5, and 6 are incompatible. If more than one is set, bit 4 takes precedence over bits 5 and 6. Bit 5 takes precedence over bit 6.
2. If both bits 4 and 7 are simulated, an ! appears in the first byte of the device field.

Dynamic modification of attributes to detectable requires other action by the IMS application program to make the device function properly. Detectable fields must have a designator character and certain padding characters.

For DPM, field attribute information can be passed from the IMS application program to the remote program, but cannot be specified, unless ATTR=(YES,nn) appears in the MFS DFLD definitions.

See the appropriate component description manual to determine which extended attributes are available to a given terminal type.

Related reference

“Device-dependent output information” on page 431

Using certain options for outputting information can make the application program device-dependent. Some options allow the application program to control certain features of devices receiving output. Descriptions of the effects of various output options follow.

Dynamic modification of extended field attributes

For an application program to modify extended attribute data, the MFLD statement must specify ATTR=nn. Any error causes the DFLD EATTR= specification for that extended attribute byte to be used.

For modification of the extended attributes, two additional bytes per attribute must be reserved. The values that can be specified in these extended attribute modification bytes and the resulting values that are used are:

Specification

Value Used

X'00'

Device default

Valid value

Your specification

Invalid or omitted

From EATTR= on DFLD statement

Duplicate

Last (rightmost) specification

During online execution, if ATTR=PROT is specified as a dynamic modification, any field validation attributes defined on the DFLD statement or specified as a dynamic modification are reset.

Restriction: Trigger fields are not supported by MFS.

The following table shows the format of the extended attribute modification bytes.

Table 125. Format of extended attribute modification bytes

ATTR 1 type	ATTR 1 value	ATTR 2 type	ATTR 2 value	ATTR n type	ATTR n value
	1	2	3	2xn_2	2xn_1

Types

Hexadecimal specifications:

- 01** Validation replacement
- 02** Validation addition
- 03** Field outlining replacement
- 04** Field outlining addition
- 05** Input control replacement
- 06** Input control addition

Field outlining applies to 3270 display devices, and to printers defined as 3270P or SCS1 that support the 3270 Structured Field and Attribute Processing option, and support the Extended Graphics Character Set (EGCS).

Character specifications (the letter C indicates character):

- C1** Highlighting
- C2** Color
- C3** Programmed Symbols

Values

Field validation in hexadecimal:

- | Bit | Meaning |
|---------------|-----------------|
| 0 to 4 | Reserved |
| 5 | Mandatory fill |
| 6 | Mandatory field |
| 7 | Reserved |

For field highlighting:

- | Character | Meaning |
|------------------|----------------|
| X'00' | Device default |
| X'F1' | Blink |
| X'F2' | Reverse video |

X'F4'

Underline

Field color (seven-color models only):

Character**Meaning****X'00'**

Device default

X'F1'

Blue

X'F2'

Red

X'F3'

Pink

X'F4'

Green

X'F5'

Turquoise

X'F6'

Yellow

X'F7'

Neutral

Field outlining in hexadecimal:

Bit**Meaning****0 to 3**

Reserved

4

Left line

5

Over line

6

Right line

7

Under line

X'00'

Default (no outline)

Input control (of DBCS/EBCDIC mixed fields) in hexadecimal:

Bit**Meaning****0 to 6**

Reserved

7

SO/SI creation

X'00'

Default (no SO/SI creation)

For the programmed symbols, valid local ID values are in the range X'40'—X'FE', or X'00' for the device default.

Ways to specify the binary validation attribute type and value in COBOL are shown in the following code example.

```

VAL_REP_MFILL PIC 9(3) COMP VALUE 260 (replace-mandatory fill)
*
VAL_REP_MFLD PIC 9(3) COMP VALUE 258 (replace-mandatory field)
*
VAL_ADD_MFILL PIC 9(3) COMP VALUE 516 (add-mandatory fill)
*
VAL_ADD_MFLD PIC 9(3) COMP VALUE 514 (add-mandatory field)
*

```

Ways to specify field outlining attributes, input control types, and values in COBOL are shown in the following code example.

01	BINVALUE.								
	02	VAL0000			PIC S999 COMP	VALUE	+0.		
	02	VAL0000X	REDEFINES		VAL0000.				
		03	FILLER		PIC X.				
		03	VAL00		PIC X.				
*								(NO FIELD OUTLINE)	
	02	VAL0001			PIC S999 COMP	VALUE	+1.		
	02	VAL0001X	REDEFINES		VAL0001.				
		03	FILLER		PIC X.				
		03	VAL01		PIC X.				
*								(UNDERLINE)	
	02	VAL0002			PIC S999 COMP	VALUE	+2.		
	02	VAL0002X	REDEFINES		VAL0002.				
		03	FILLER		PIC X.				
		03	VAL02		PIC X.				
*								(RIGHTLINE)	
	02	VAL0003			PIC S999 COMP	VALUE	+3.		
	02	VAL0003X	REDEFINES		VAL0003.				
		03	FILLER		PIC X.				
		03	VAL03		PIC X.				
*								(RIGHTLINE & UNDERLINE)	
	02	VAL0004			PIC S999 COMP	VALUE	+4.		
	02	VAL0004X	REDEFINES		VAL0004.				
		03	FILLER		PIC X.				
		03	VAL04		PIC X.				
*								(OVERLINE)	
	02	VAL0005			PIC S999 COMP	VALUE	+5.		
	02	VAL0005X	REDEFINES		VAL0005.				
		03	FILLER		PIC X.				
		03	VAL05		PIC X.				
*								(OVERLINE & UNDERLINE)	
	02	VAL0006			PIC S999 COMP	VALUE	+6.		
	02	VAL0006X	REDEFINES		VAL0006.				
		03	FILLER		PIC X.				
		03	VAL06		PIC X.				
*								(OVERLINE & RIGHTLINE)	
	02	VAL0007			PIC S999 COMP	VALUE	+7.		
	02	VAL0007X	REDEFINES		VAL0007.				
		03	FILLER		PIC X.				
		03	VAL07		PIC X.				
*								(OVERLINE & RIGHTLINE	
*								& UNDERLINE)	
	02	VAL0008			PIC S999 COMP	VALUE	+8.		
	02	VAL0008X	REDEFINES		VAL0008.				
		03	FILLER		PIC X.				
		03	VAL08		PIC X.				
*								(LEFTLINE)	

	02	VAL0009		PIC S999 COMP	VALUE	+9.
	02	VAL0009X	REDEFINES	VAL0009.		
		03 FILLER		PIC X.		
		03 VAL09		PIC X.		
*						(LEFTLINE & UNDERLINE)
	02	VAL000A		PIC S999 COMP	VALUE	+10.
	02	VAL000AX	REDEFINES	VAL000A.		
		03 FILLER		PIC X.		
		03 VAL0A		PIC X.		
*						(LEFTLINE & RIGHTLINE)
	02	VAL000B		PIC S999 COMP	VALUE	+11.
	02	VAL000BX	REDEFINES	VAL000B.		
		03 FILLER		PIC X.		
		03 VAL0B		PIC X.		
*						(LEFTLINE & RIGHTLINE
*						& UNDERLINE)
	02	VAL000C		PIC S999 COMP	VALUE	+12.
	02	VAL000CX	REDEFINES	VAL000C.		
		03 FILLER		PIC X.		
		03 VAL0C		PIC X.		
*						(LEFTLINE & OVERLINE)
	02	VAL000D		PIC S999 COMP	VALUE	+13.
	02	VAL000DX	REDEFINES	VAL000D.		
		03 FILLER		PIC X.		
		03 VAL0D		PIC X.		
*						(LEFTLINE & OVERLINE
*						& UNDERLINE)
	02	VAL000E		PIC S999 COMP	VALUE	+14.
	02	VAL000EX	REDEFINES	VAL000E.		
		03 FILLER		PIC X.		
		03 VAL0E		PIC X.		
*						(LEFTLINE & OVERLINE
*						& RIGHTLINE)
	02	VAL000F		PIC S999 COMP	VALUE	+15.
	02	VAL000FX	REDEFINES	VAL000F.		
		03 FILLER		PIC X.		
		03 VAL0F		PIC X.		
*						(BOX)

Examples

The following examples show the use of the EATTR= and ATTR=(,nn) operands:

```
AX      DFLD  EATTR=(VMFILL,HUL),ATTR=(NUM,HI)
AY      MFLD  AX,ATTR=(,2)
```

The EATTR= operand of the DFLD statement requests that the specified field must be completely filled with data, high intensity, and underlined. The ATTR= operand of the DFLD statement requests that the specified field be numeric and high intensity.

Specifying the ATTR=(,2) operand indicates the application program can dynamically modify the two extended attributes specified in the EATTR= operand. If this is specified, the LTH= value on the MFLD statement must be increased by 4 bytes for the modified attribute bytes. The application program can dynamically modify the validation and the extended highlighting attributes. The extended attributes of color and programmed symbols cannot be dynamically modified, because they were not specified in the EATTR= operand. The existing 3270 attributes cannot be dynamically modified, because ATTR=YES was not specified on the MFLD statement.

To dynamically modify the extended highlighting to blinking, and add mandatory field validation when data is entered into the field, the extended attribute types and values shown in the following table must be placed in the field referenced by the MFLD "AY" in the preceding example.

Table 126. Extended attribute types and values for COBOL

ATTR 1 type	ATTR 1 value	ATTR 2 type	ATTR 2 value	Field data
C1	F1	02	02	data
0	1	2	3	4–n

Specification of color and programmed symbols, if present, is ignored. Regardless of the number of attribute modification bytes specified, MFS sends the number of extended attributes specified in the EATTR=operand of the DFLD.

Because the validation addition type (X'02') is specified, rather than the validation replacement type (X'01'), the change to the validation attribute byte is an addition rather than a replacement.

```
BX   DFLD   EATTR=(CD,HD,PC'Z' ) ,ATTR=(PROT)
BY   MFLD   BX,ATTR=(YES,3)
```

The EATTR= operand of the DFLD statement requests a field with a programmed symbol buffer local ID of "Z" and the protected attribute. If no dynamic modification by an IMS application program occurs, the color and highlighting device defaults are used. Because of the specification of ATTR=(YES,3) in this example, the color, extended highlighting, programmed symbol buffer local ID, and existing 3270 attributes can be dynamically modified.

You can dynamically modify the color, extended highlighting, and the 3270 attribute bytes, while keeping the programmed symbol local ID (PC'Z') as specified on the DFLD statement. For example, to dynamically modify the color to pink, the extended highlighting to reverse video, and the 3270 attribute bytes to numeric and unprotected, use the attribute modification bytes for fields referenced by MFLD "BY" as shown in the following table.

Table 127. Example of dynamically modified attribute bytes

Existing 3270 ATTR mods	ATTR 1 type	ATTR 1 value	ATTR 2 type	ATTR 2 value	ATTR 3 type	ATTR 3 value	Field data	
00	D0	C2	F3	C1	F2	40	40	data
0	1	2	3	4	5	6	7	8–n

With byte 1, bit 1 of the existing 3270 attribute modification bytes on, IMS replaces the existing 3270 attribute byte rather than adding to it. This changes the field to unprotected and specifies the numeric attribute. The third attribute has a type of X'40' (an invalid type) specified, which causes IMS to use the DFLD specification for programmed symbols.

Related reference

[“Dynamic modification of DBCS/EBCDIC mixed data” on page 441](#)

Programmed symbols and input control attribute bytes can be dynamically modified to permit EBCDIC or EGCS data to be mapped to a particular field on the 3270 display. DBCS/EBCDIC mixed data can also be dynamically modified. DBCS is a subset of EGCS, so the EGCS field can contain DBCS data, as shown in the following figure.

Dynamic modification of EGCS data

EGCS data can also be dynamically modified to permit EBCDIC or EGCS data to be mapped to a particular field on the 3270 display.

With this function:

- You can enter EBCDIC or EGCS data.
- The application program can receive EBCDIC or EGCS data.
- EBCDIC or EGCS data can be passed to an SLU P remote program or to an ISC subsystem.

If ATTR=(,nn) is specified in the MFLD statement and a programmed symbol attribute is specified in the corresponding DFLD statement, the application program can modify the field programmed symbol attribute. Dynamic modification of the programmed symbol attribute for EGCS requires two additional bytes. These additional bytes precede the MFLD data and must be included in the MFLD LTH= specification.

The IMS application program can modify the DFLD programmed symbol attribute if all the following conditions are met:

- The DFLD specifies EATTR=PX'hh', PC'c', EGCS'hh' or EGCS.
- The corresponding MFLD statement specifies ATTR=(,nn), where nn is a value from 1 through 4.
- The application program includes 2 × nn additional bytes preceding the data field.
- One set of two attribute bytes has an X'C3' as its first byte and a valid value (X'00' or X'40'—X'FE') as its second byte.

The following table illustrates what the MFS transmits in the value byte of the programmed symbol attribute type, if the DFLD statement does or does not specify a programmed symbol attribute, and the IMS application program does or does not modify it.

Table 128. Attribute type value byte contents

Application Program Programmed Symbol Attribute Bytes of X and:	C3 EATTR=	ATTR=	EATTR=
	Programmed symbol specified	Programmed symbol default	Not specified
X'40_FE' ¹	Send X'40_FE'	Send X'40_FE'	Send no attribute
Default X'00' ¹	Send X'00'	Send X'00'	Send no attribute
Not specified ²	Send programmed symbol DFLD specification	Send no attribute	N/A
Omitted or Invalid ³	Send programmed symbol DFLD specification	Send X'00'	Send no attribute

Notes:

1. ATTR=nn is specified on at least one MFLD statement that maps to this DFLD statement. The IMS application program specifies a programmed symbol attribute of X'40' to X'FE'.
2. ATTR=nn is not specified on any MFLD statement that maps to this DFLD statement.
3. ATTR=nn is specified on at least one MFLD statement that maps to this DFLD statement. The application program omits specifying this attribute, or the specified attribute is not X'00' or X'40' to X'FE'.

Dynamic modification of DBCS/EBCDIC mixed data

Programmed symbols and input control attribute bytes can be dynamically modified to permit EBCDIC or EGCS data to be mapped to a particular field on the 3270 display. DBCS/EBCDIC mixed data can also be

dynamically modified. DBCS is a subset of EGCS, so the EGCS field can contain DBCS data, as shown in the following figure.

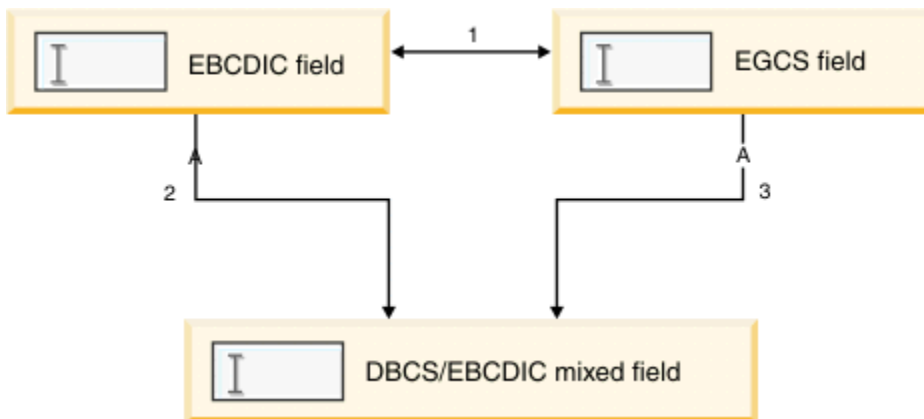


Figure 28. Dynamic modification of a DBCS/EBCDIC mixed field

The IMS application program can make a field EBCDIC, EGCS, or DBCS/EBCDIC mixed when all of the following conditions are satisfied:

- One of the following is specified on the DFLD statement:

```
EATTR=(EGCS,MIXD)
EATTR=(EGCS'00',MIX)
EATTR=(EGCS'00',MIXD)
```

A DBCS keyword does not exist; DBCS fields are specified using the EGCS keyword. The initial attribute must specify an EGCS field, a DBCS/EBCDIC mixed field, or an EBCDIC field.

- The corresponding MFLD statement specifies ATTR=(,nn) where nn is 2 or greater.
- The application program contains $2 \times nn$ additional bytes preceding the data field.

When $nn=2$, the initial attribute is changed as shown in the following table according to the value of the two attribute byte sets (4 bytes) specified in front of the data field by the application program.

Table 129. Dynamic modification of a DBCS/EBCDIC mixed field

Attribute Byte	EBCDIC	EGCS	Mixed
40404040	EBCDIC	EGCS	Mixed
05014040	Mixed	Mixed	Mixed
0501C3F8	EGCS	EGCS	EGCS
C3F84040	EGCS	EGCS	EGCS
C3F80501	Mixed	Mixed	Mixed
0500C3F8	EGCS	EGCS	EGCS
C3000501	Mixed	Mixed	Mixed
C3000500	EBCDIC	EBCDIC	EBCDIC

When the initial attribute specifies an EGCS field and the application program specifies dynamic modification of the input control attribute to a DBCS/EBCDIC mixed field, MFS replaces the value of the programmed symbol for which the EGCS field is specified with the device default.

Related reference

[“Dynamic modification of extended field attributes” on page 435](#)

For an application program to modify extended attribute data, the MFLD statement must specify ATTR=*nn*. Any error causes the DFLD EATTR= specification for that extended attribute byte to be used.

Specification of message output descriptor name

Output messages destined for MFS terminals are formatted using a message output descriptor (MOD).

Which MOD IMS uses can be specified within the output call, either insert (ISRT) or purge (PURG). Both ISRT and PURG allow you to specify an output MOD name parameter on the call that provides a segment of an output message.

When the output MOD name parameter is specified, IMS uses the name supplied to select the message output descriptor. If the call is directed to the TP PCB or alternate response PCB, IMS updates the MESSAGE OUTPUT DESCRIPTOR NAME field of the TP PCB with the name supplied in the output call. The MOD name of all output messages inserted on an alternate PCB that did not explicitly specify a MOD name is set to the previous MOD name.

Which MOD IMS uses to format the message depends on the name specified:

Name Specified Descriptor Used

Valid output MOD name

Message output descriptor named by output MOD name

Eight blanks

IMS default message output descriptor (3270 or SLU 2 only—other devices use IMS basic edit for output)

Invalid output MOD name

IMS error default message output descriptor

If the output MOD name parameter is not specified, IMS formats the message using the MOD named in the MESSAGE OUTPUT DESCRIPTOR NAME field of the I/O PCB.

MFS bypass for the 3270 or SLU 2

IMS MFS allows the IMS application program to bypass MFS formatting of input and output messages.

With this option, the IMS application program can load programmed symbol buffers, or send a device-dependent data stream to format and update the 3270 display, or write a message to a 3270 printer. The bypass can be used only on the SLU 2, and 3270 devices. Optionally, the IMS application program can examine an input message with the attention identification (AID) byte, cursor address, SBA orders, and buffer addresses as received from the display. For non-SNA VTAM transmissions, the data to be sent must be equal to or less than the value specified in the system definition OUTBUF parameter. Data sent to a printer using the MFS bypass is restricted to 4 KB.

MFS recognizes two special message output descriptor (MOD) names: DFS.EDT and DFS.EDTN.

Output messages bypass MFS formatting only if DFS.EDT or DFS.EDTN is supplied as the MOD name parameter of the application program CALL statement IMS system messages, IMS error messages, application program messages with no MOD name, and message switches are always formatted by MFS (using the IMS-supplied formats).

When MFS is bypassed on output, the application program is responsible for constructing the entire 3270 data stream, beginning with the command code and ending with the last data byte. An exception to this could be 3270 output using the MFS bypass and destined to a printer. The hexadecimal EBCDIC command codes for use with the 3271/3274 controllers are:

Command

3271/3274

Erase All Unprotected

6F

Erase/Write

F5

Erase/Write Alternate

7E

Read Buffer

F2

Read Modified

F6

Read Modified All

6E

Write

F1

Write Structured Field

F3

The user-written application program has two ways to send output to printers:

- By providing the command code and WCC character in the application program and by setting bit 0 to 1 (X'80') in the Z2 field of the message segment to show that the appropriate command is provided.
- By allowing IMS to provide the command code and other characters. However, to print less than the maximum line length, insert new line (NL) characters at the appropriate places in the data stream. This method is the default.

Specifying input forms for MFS bypass

After using the MFS bypass, the IMS application program must accept the input in one of two forms depending on the MOD name specified for the output message.

The two forms of input are:

- MODNAME=DFS.EDT edits the input data.
- MODNAME=DFS.EDTN performs no editing on the input data.

MODNAME=DFS.EDT

The AID and the cursor address are removed from the data stream and any SBA or start field sequences are replaced with blanks. In addition, the basic input edit routine performs the editing. If the AID code received is a CLEAR, PA2, PA3, PFK12, or selector pen attention, existing IMS functions are performed. If a PA1 is received, IMS performs the same function as for PA2 (that is, the next output message is sent if one is available).

MODNAME=DFS.EDTN

If the transaction is in conversational mode, all input is passed to the application as received from the terminal. If the transaction is not in conversational mode, the transaction code must be positioned to precede the AID character of the data stream received from the terminal.

The password should never be passed to the IMS application program. The basic editing functions are performed on the destination and password fields only. If the password appears within parentheses immediately after the transaction code, basic edit removes the password. No editing is performed on the remainder of the data. Existing IMS functions are bypassed for AID codes resulting from a CLEAR, PA1, PA2, PA3, or selector pen attention. PFK12 causes a copy to be performed if it is allowed.

Position the transaction code using the physical terminal input edit exit, or cause IMS to supply it using the conversational or preset destination mode.

If the terminal is in conversational mode, the message is sent to the application program in the conversation. If the terminal is in preset mode, the transaction code is added to the beginning of the message and the message is sent to the destination established by the /SET command. Therefore, while in preset mode, a slash (/) as the first character of the input data is not considered an IMS command. To be recognized as a command, /RESET must immediately follow the cursor address in the input data

stream. To do this, enter the /RESET command from an unformatted screen (no fields defined for the screen). If the screen is formatted (fields defined for the screen), press the clear key to unformat the screen. However, an application program must receive the clear AID byte and write a data stream that does not format the screen.

Example:

```
Data stream = F5C3, erases the 3270 buffer.  
Data stream = F5C3114040, erases the 3275 buffer.  
Entering: The /RESET command  
resets preset mode.
```

If /RESET is received from an unformatted screen, while bypassing MFS and basic edit (MOD name is DFS.EDTN) and in preset mode, the input is treated as a command, and the terminal is taken out of preset mode. You are responsible for sending a data stream that leaves the screen unformatted.

If the transaction code and password (if required) are entered with the input message and the terminal is not in conversational or preset mode, your physical terminal input edit exit routine must be included in the IMS system definition. The physical terminal input edit routine gains control before IMS destination and security checking and must modify the input to place the transaction code and password (if required) in front of the AID code.

If the OPTIONS keyword of the IMS system definition TERMINAL or TYPE macro specifies that the keyboard is to remain locked, and the MFS bypass with MOD name DFS.EDTN is used, the application program must assume responsibility for unlocking the 3270 keyboard and resetting the MDT flags.

After use of the MFS bypass, the next output message is formatted by MFS if the MOD name is not supplied or the MOD name supplied is not DFS.EDT or DFS.EDTN.

MFS bypass is intended primarily for subsystems executing under IMS and is not recommended for normal application usage. If IMS application programs deal with 3270 data streams, they become device-dependent, which complicates the application development process.

When a read command is executing in the MFS bypass, the output message containing the read command is dequeued or re-enqueued when the input is received, depending on the option (PAGDEL/NPGDEL) specified on the TERMINAL macro during system definition.

MFS bypass for the SLU 2 (3290) with partitioning

When the MOD specified in an application is either DFS.EDT or DFS.EDTN, the output message generated can cause an SLU 2 terminal to function in partitioned mode. Using DFS.EDTN, a conversational application can send a Query and receive a Query reply.

For output, the application program must supply the Create Partition data stream within the output message, along with the data for the partitions. Also, the SLU 2 Device-Dependent Module sets Change Direction (CD) on non-last conversational output messages. This allows Reads and Queries to be sent in Write Structured Fields data streams.

A Query Reply input can be processed only if the previous MOD specified is DFS.EDTN. A Query Reply input can be received but does not have a transaction code in the data stream.

For partitions 01 through 0F, the X'88' byte is followed by a 2-byte field that is not used. If a X'80' byte follows this field, then the next byte is the PID byte (X'01' through X'0F'). For partition 00, the input will have the same format as input data from a non-partitioned SLU 2.

For input with DFS.EDT or DFS.EDTN, the first AID byte, X'88', causes the proper decoding of the second AID byte. Depending on the second AID byte, one of the following occurs:

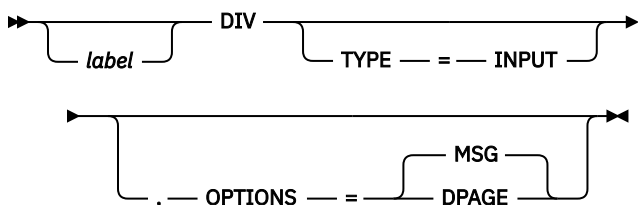
- If the second AID byte decoded is X'80', a third AID byte is decoded. The data stream following that AID byte is passed to the application program as follows:
 - Using basic edit, if DFS.EDT is specified
 - As a complete data stream, if DFS.EDTN is specified

- If the second AID byte is not X'80', input is passed only if the MOD specified in the application is DFS.EDTN. When DFS.EDTN is specified, the complete data stream starting with the X'88' AID byte is passed to the application program.

DIV statement

The DIV statement defines device formats within a DIF or DOF. The formats are identified as input, output, or both input and output, and can consist of multiple physical pages. For DEV TYPE=SCS1, SCS2, or DPM-AN, two DIV statements can be defined: DIV TYPE=OUTPUT and DIV TYPE=INPUT. For all other device types, only one DIV statement per DEV is allowed.

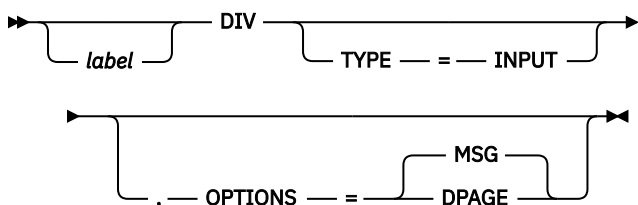
Format for DEV TYPE=SCS1, or SCS2 and DIV TYPE=INPUT



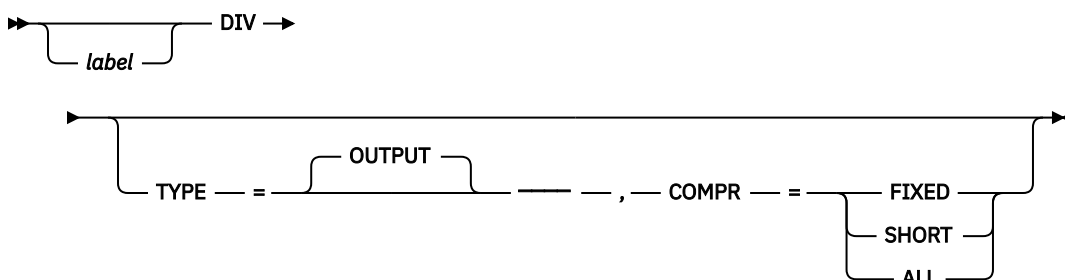
Format for DEV TYPE=3270 or 3270-An



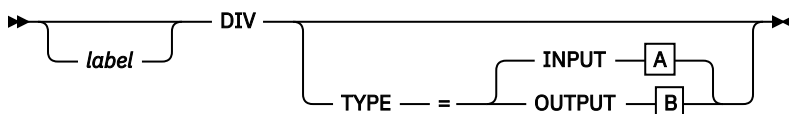
Format for DEV TYPE=FIN



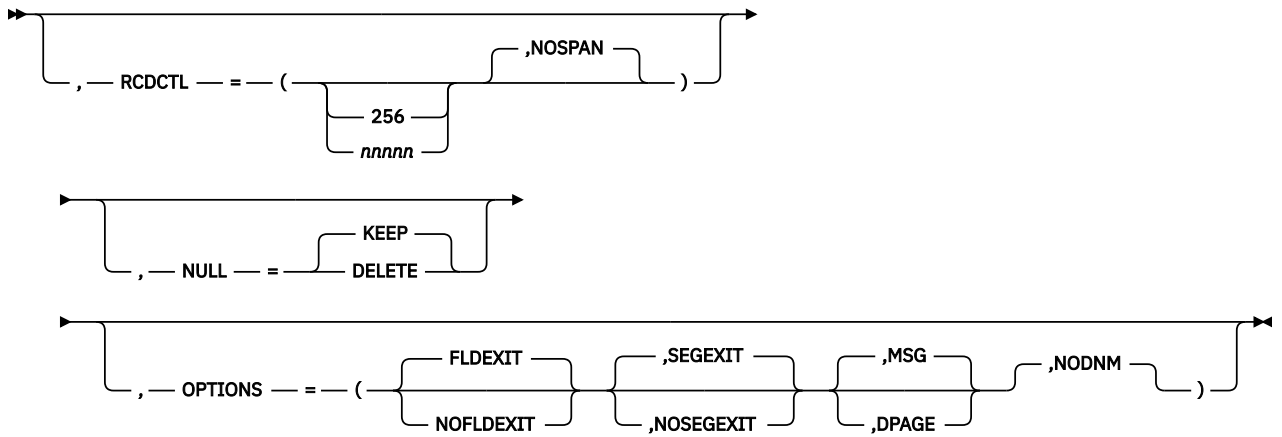
Format for DEV TYPE=SCS1, SCS2, 3270P, FIDS, FIDS3, FIDS4, FIDS7, FIJP, FIPB, or FIFP and DIV TYPE=OUTPUT



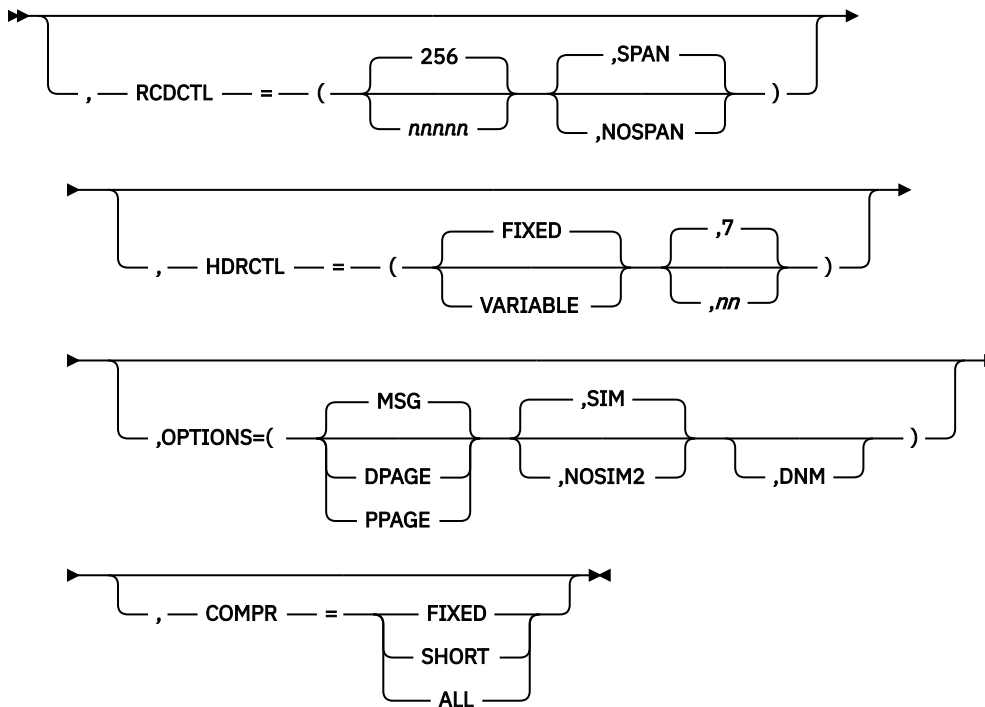
Format for DEV TYPE=DPM-An



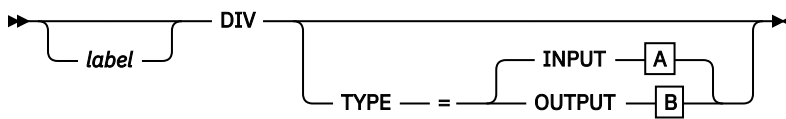
A



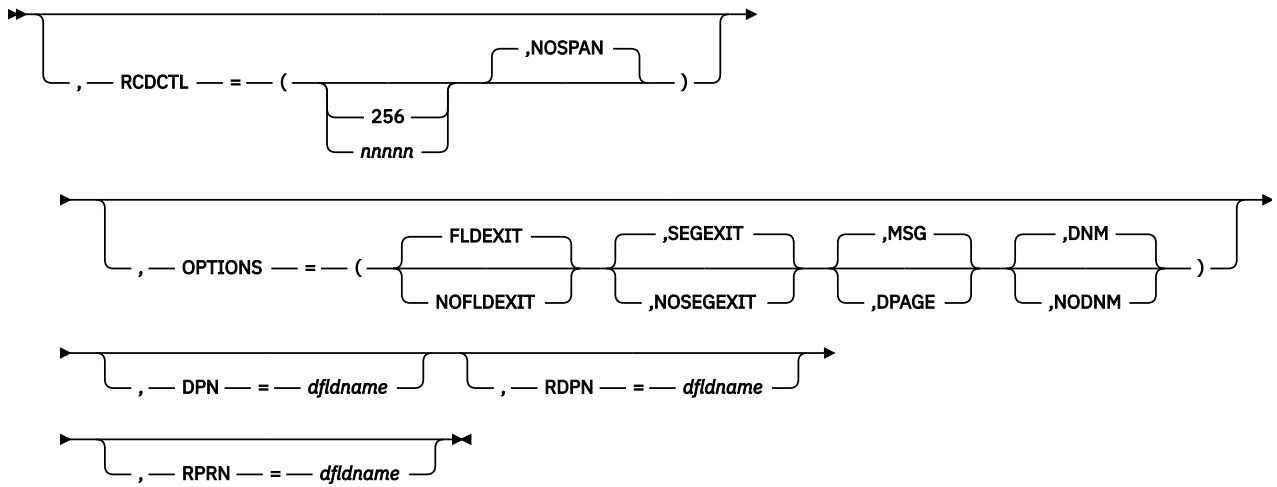
B

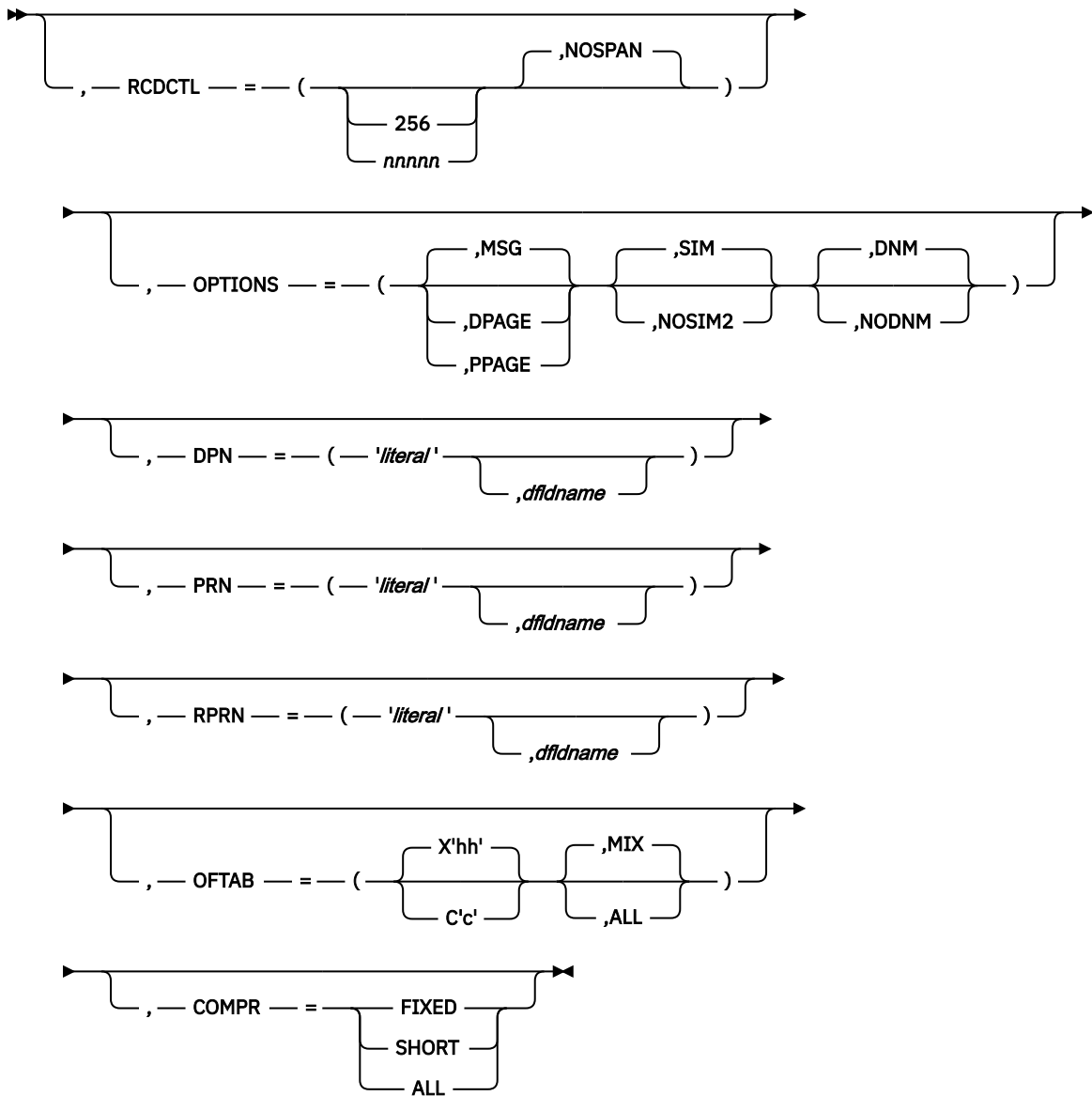


Format for DEV TYPE=DPM-Bn



A





Parameters

label

A one- to eight-character alphanumeric name that is specified to uniquely identify this statement.

TYPE=

This describes the format as input, output, or both.

INOUT

Describes an input and output format.

INPUT|OUTPUT

Describes an input-only format (INPUT) or an output-only format (OUTPUT). Certain DEV statement keywords can be used. For example:

- Specifying WIDTH=80 for DEV TYPE=SCS1 indicates that fields can be printed in columns 1 through 80 on output and received from columns 1 through 80 on input.
- Specifying WIDTH=80 for DEV TYPE=SCS2 indicates that both the card reader and card punch have the same number of punch positions.
- Specifying WIDTH=80 and HTAB=(SET,5) for DEV TYPE=SCS1 indicates that fields can be printed in columns 5 through 80 on output and received from columns 5 through 80 on input. In this case DFLD POS=(1,5) or POS=5 on input is the same as if you specified column 1 and a left margin position at 1.

You enter data the same way, regardless of where the left margin is currently set.

RCDCTL=

Creates record definitions even if RCD statements are used in the same format definition. RCDCTL is valid only if MODE=RECORD is specified on the DEV statement.

The first data field is the first field of the message for OPTIONS=MSG. The first data field is the first field of the DPAGE or PPAGE for OPTIONS=DPAGE and PPAGE, respectively. If the first data field does not fit in the same record as the output message header, and if OPTIONS=DPAGE or PPAGE has been specified, the first data record will be sent in the next transmission. The output message header will be transmitted by itself (as is always the case for OPTIONS=MSG).

256

The maximum length of an input or output transmission. The value 256 is valid only for DEV TYPE=DPM-An or DPM-Bn.

nnnnn

The maximum length of an input or output transmission. A value is valid only for DEV TYPE=DPM-An or DPM-Bn. The length cannot be greater than 32000 or less than the length of the message output header.

When TYPE=OUTPUT is specified, *nnnnn* is less than or equal to the output buffer size specified in the OUTBUF= macro at IMS system definition. If *nnnnn* is greater than the OUTBUF= value specified, one record can require multiple output transmissions and can produce undesirable results in the remote program. If fields do not exactly fit in the defined records, and NOSPAN has been specified, records might not be completely filled.

SPAN

Specifies that fields can span records.

When TYPE=OUTPUT is specified you can specify SPAN only with DEV TYPE=DPM-An. Fields can span a record boundary but not a PPAGE boundary. The remote program must include logic to associate the partial fields or deal with them separately.

NOSPAN

Specifies that fields cannot span records. Every field is contained within a record and no field has a length greater than the value specified. NOSPAN is the default.

NULL=

Specifies how MFS is to handle trailing nulls. NULL= is valid only for DEV TYPE=DPM-An and TYPE=INPUT.

KEEP

Directs MFS to ignore trailing nulls.

DELETE

Directs MFS to search for and replace trailing nulls. MFS searches input message fields for trailing nulls or for fields that are all nulls, and replaces the nulls with the fill character specified in the message definition.

OPTIONS=

Specifies formatting and mapping of data.

DNM

Specifies the data name.

- For TYPE=INPUT:

DNM can be specified only for DEV TYPE=DPM-Bn. A specific DPAGE is selected to map the current or only data transmission when the DPAGE data name is supplied as the DSN parameter in the message header, and the DPAGE data name matches a defined DPAGE data name. If these conditions are not met, the last defined DPAGE name is used to map the data, unless the DPAGE is defined as conditional.

- For TYPE=OUTPUT:

- DNM can be specified for DEV TYPE=DPM-An or DPM-Bn.

For DEV TYPE=DPM-An, use DNM with the FORS keyword on the DEV statement to specify a literal in the message header. See the topic "Message Processing" in *IMS Version 15.5 Application Programming*. This parameter is optional.

For DEV TYPE=DPM-Bn, MFS includes the following in the DD header:

- The FMT name if OPTIONS=MSG
- The DPAGE name if OPTIONS=DPAGE
- The PPAGE name if OPTIONS=PPAGE

NODNM

Specifies that there is no data name.

- For TYPE=INPUT:

NODNM can be specified for either DEV TYPE=DPM-An or DPM-Bn. MFS selects a specific DPAGE by performing a conditional test on the data received and the COND= parameter.

- For TYPE=OUTPUT:

NODNM can be specified only for DEV TYPE=DPM-Bn. If NODNM is specified, no data structure name (DSN) is supplied in the DD header.

DPAGE

Specifies different ways of receiving and transmitting data, depending on the device type and whether TYPE=INPUT or TYPE=OUTPUT:

- For TYPE=INPUT:

- For SCS1, SCS2, or FIN, or for DEV TYPE=DPM-An or DPM-Bn, DPAGE specifies that an input message can be created from multiple DPAGES.

If multiple DPAGE input is not requested in MFS definitions, messages cannot be created from more than one DPAGE.

If a single DPAGE is transmitted and contains more data than defined for the DPAGE selected, or multiple pages are transmitted, the input message is rejected and an error message is sent to the other subsystem.

- For TYPE=OUTPUT:

For DEV TYPE=DPM-An or DPM-Bn, DPAGE specifies that IMS transmits all DFLDs that are grouped in one page together. The logical page is transmitted in one or more records.

If PPAGE statements are defined with the DPAGE, each PPAGE statement begins a new record. An additional logical page is sent when a paging request is received from the remote program. Each logical page is preceded by an output message header, and the label on the DPAGE is placed in the header. For DEV TYPE=DPM-Bn, the data structure name is optional in the DD header and depends on the specification of DNM or NODNM.

FLDEXIT

Specifies that the exit routine in the MSG definition MFLD is to be called for DEV TYPE=DPM-An or DPM-Bn and TYPE=INPUT.

FLDEXIT is the default.

This parameter is valid only when DEV TYPE=DPM-An or DPM-Bn and TYPE=INPUT.

NOFLDEXIT

Specifies that the exit routine in the MSG definition MFLD is to be bypassed.

MSG

Specifies different ways of creating and transmitting messages, depending on the device and whether TYPE=INPUT or TYPE=OUTPUT:

- For TYPE=INPUT:

For DEV TYPE=SCS1, SCS2, or FIN, or for DEV TYPE=DPM-An or DPM-Bn, MSG specifies that an input message can be created from a single DPAGE.

- For TYPE=OUTPUT:

For DEV TYPE=DPM-An or DPM-Bn and TYPE=OUTPUT, MSG is the default and specifies that IMS transmits all the DFLDs within a message together as a single message group. The message is preceded by an output message header. All DFLDs are transmitted. For DEV TYPE=DPM-Bn, the data structure name is optional in the header.

PPAGE

Specifies that IMS transmits the DFLDs that are grouped in one presentation page (PPAGE) together in one chain. PPAGE is valid only when DEV TYPE=DPM-An or DPM-Bn and TYPE=OUTPUT. The presentation page is transmitted in a group of one or more records. An additional presentation page is sent when a paging request is sent to IMS from the remote program. Each presentation page is preceded by an output message header, and the label on the PPAGE statement is placed in the header. For DEV TYPE=DPM-Bn, the data structure name is optional in the DD header and depends on the specification of DNM or NODNM.

SEGEXIT

Specifies that the exit routine in the MSG definition SEG is to be called for DEV TYPE=DPM-An or DPM-Bn and TYPE=INPUT. SEGEXIT is the default.

This parameter is valid only when DEV TYPE=DPM-An or DPM-Bn and TYPE=INPUT.

NOSEGEXIT

Specifies that the exit routine in the MSG definition SEG is to be bypassed.

SIM

Specifies that MFS is to simulate attributes. This is valid only when DEV TYPE=DPM-An or DPM-Bn and TYPE=OUTPUT. SIM indicates that MFS is to simulate the attributes specified by the IMS application program and place the simulated attributes in corresponding DFLDs that are defined with ATTR=YES or YES,nn. The first byte of the field is used for the simulated attributes.

If the MFLD does not supply 3270 attribute information (by means of the ATTR=YES or YES,nn operand) for the corresponding DFLD specifying ATTR=YES or YES,nn, a blank is sent in the first byte of the field. The application designer of the remote program or ISC subsystem is responsible for interpreting the simulated attribute within the remote program or ISC subsystem.

SIM is the default of SIM/NOSIM2.

NOSIM2

Specifies that MFS sends a bit string that is 2 bytes long to the remote program or subsystem. This bit string is sent exactly as received from the IMS application program. 3270 extended bytes,

if any (ATTR=YES,*nn*), are always sent as received from the application program and follow the 2-byte string of 3270 attributes.

If the MFLD does not supply attribute information, binary zeros are sent in the 2 bytes preceding the data for the field.

For more information on the ATTR parameter on the MFLD statement, see [MFS Language utility \(DFSUPAAO\) \(System Utilities\)](#).

HDRCTL=

Specifies, for DEV TYPE=DPM-An and DIV TYPE=OUTPUT only, the characteristics of the output message header.

FIXED

Specifies that a fully padded output message header is to be sent to the remote program. The structure of the fixed output message header is the same for all DPM output messages that are built using this FMT definition. The base DPM output message header has a length of 7, and includes the version ID.

VARIABLE

Specifies that MIDNAME and DATANAME have trailing blanks omitted and their length fields adjusted accordingly. If MIDNAME is not used, neither the MIDNAME field nor its length is present.

nn

Specifies the minimum length of the header, that is, the base header without MFS fields. The default is 7, which is the length of the base message header for DPM. Specifying other than 7 can cause erroneous results in the remote program.

The parameters RDPN=, DPN=, PRN=, and RPRN= refer to both the ISC ATTACH function management header and the equivalent ISC SCHEDULER function management header.

RDPN=

For DIV TYPE=INPUT, the *dfllname* specification permits the suggested return destination process name (RDPN) to be supplied in the input message MFLD referencing this *dfllname*. If *dfllname* is not specified, no RDPN is supplied in the input message.

DPN=

For DIV TYPE=OUTPUT, the '*literal*' specification requests MFS to use this literal as the DPN in the output ATTACH message header. *literal* cannot exceed eight characters, and must be enclosed in single quotes. If the *dfllname* is also specified, the data supplied in the MFLD referencing this *dfllname* is used as the DPN in the output ATTACH message header. If no output message MFLD reference to the *dfllname* exists, *literal* is used. If the data in the MFLD referencing the *dfllname* is greater than eight characters, the first eight characters are used.

PRN=

For DIV TYPE=INPUT, the *dfllname* specification permits the suggested primary resource name (PRN) to be supplied in the input message MFLD referencing this *dfllname*. If the *dfllname* is not specified, no PRN is supplied in the input message to the application program.

For DIV TYPE=OUTPUT, the '*literal*' specification requests MFS to use *literal* as the PRN in the output ATTACH message header. *literal* cannot exceed eight characters and must be enclosed in single quotes. If the *dfllname* is also specified, the data supplied in the MFLD referencing this *dfllname* is used as the PRN in the output ATTACH message header. If no output message MFLD reference to the *dfllname* exists, '*literal*' is used. If the data in the MFLD referencing the *dfllname* is greater than eight characters, the first eight characters are used.

RPRN=

For DIV TYPE=INPUT, the *dfllname* specification permits the suggested return primary resource name (RPRN) to be supplied in the input message MFLD referencing this *dfllname*. If *dfllname* is not specified, no RPRN is supplied in the input message to the application program.

For DIV TYPE=OUTPUT, '*literal*' specification requests MFS to use *literal* as the suggested return primary resource name (RPRN) in the output ATTACH message header. *literal* cannot exceed 8 characters and must be enclosed in single quotes. If the *dfllname* is also specified, the data supplied in the MFLD referencing this *dfllname* is used as the RPRN in the output ATTACH message header.

If no output message MFLD reference to the *dfllname* exists, 'literal' is used. If the data in the MFLD referencing the *dfllname* is greater than 8 characters, the first 8 characters are used.

OFTAB=

Directs MFS to insert output field tab separator characters in the output data stream for the message. If OPTIONS=DNM and OFTAB, then the OFTAB character is placed in the DD header and an indicator is set to MIX or ALL. If OPTIONS=NODNM, then no DD header is sent.

X'hh'

Specifies a hexadecimal character (*hh*) to be used as the output field tab separator character. X'3F' and X'40' are invalid.

C'c'

Specifies a character (*c*) to be used as the output field tab separator character. You cannot specify a blank for the character (C' ').

The character specified cannot be present in the data stream from the IMS application program. If it is present, it is changed to a blank (X'40').

If an output field tab separator character is defined, either MIX or ALL can also be specified. The default is MIX.

MIX

Specifies that the output field tab separator character is inserted into each individual field with no data or with data that is less than the defined DFLD length.

ALL

Specifies that the output field tab separator character is inserted into all fields, regardless of data length.

COMPR=

Directs MFS to remove trailing blanks from short fields, fixed-length fields, or all fields presented by the application program.

For DPM-An devices, trailing blanks are removed from the end of a segment if all of the following are specified:

- FILL=NULL or FILL=PT
- GRAPHIC=YES for the current segment being mapped
- OPT=1 or OPT=2, in the MSG segment

If these conditions are met, trailing blanks are replaced as follows:

FIXED

Specifies that trailing blanks from fixed-length fields are replaced by nulls.

SHORT

Specifies that trailing blanks from fields shortened by the application are replaced by nulls.

ALL

Specifies that trailing blanks from all fields are replaced by nulls.

The trailing nulls are compressed at the end of the record. For more information on the FILL= operand of the MFLD statement, see [MFS Language utility \(DFSUPAA0\) \(System Utilities\)](#).

For DPM-Bn devices, trailing blanks are removed if all of the following are specified:

- OFTAB (on the current DIV statement), FILL=NULL, or FILL=PT
- GRAPHIC=YES for the current segment being mapped
- OPT=1 or OPT=2 in the MSG segment

If these conditions are met, trailing blanks are removed as follows:

FIXED

Specifies that trailing blanks are to be removed from fixed-length fields.

SHORT

Specifies that trailing blanks are to be removed from fields shortened by the application.

ALL

Specifies that trailing blanks are to be removed from all fields.

Related concepts

“Output format control for SLU P DPM-An” on page 499

For SLU P devices with the DPM-An option, You can use several specifications in MFS to control the format of output messages.

“Trailing blank compression” on page 505

Blanks at the end of segments are compressed if all of the following are true.

Related reference

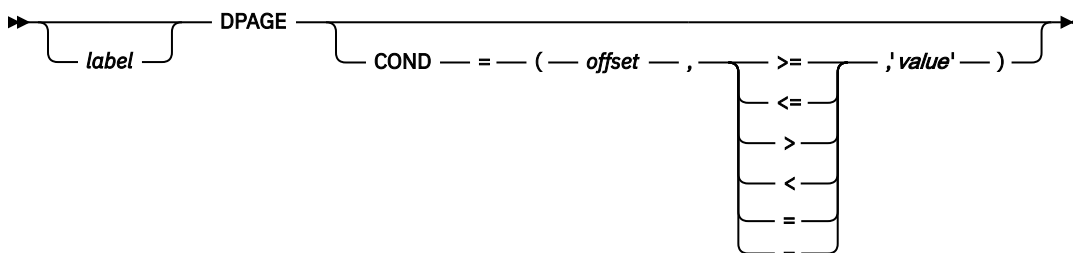
“Optional deletion of null characters for DPM-An” on page 476

MFS provides for optional deletion of trailing null characters in transmission records and input data fields from SLU P (DPM-An) remote programs. (A null character is a hexadecimal zero, X'00'.) In the DIV statement, the device input format can specify NULL=KEEP or NULL=DELETE. NULL=DELETE means that MFS scans data fields and transmission records for trailing nulls and deletes them. KEEP is the default and means that MFS leaves trailing nulls in the data and treats them as valid data characters.

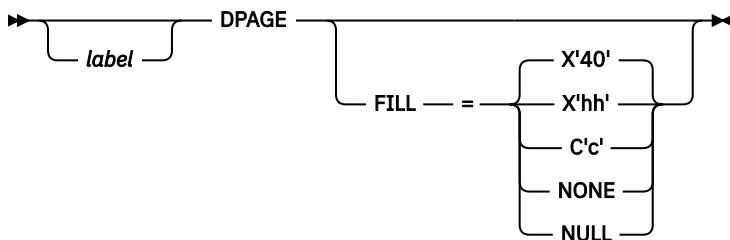
DPAGE statement

The DPAGE statement defines a logical page of a device format. This statement can be omitted if none of the message descriptors referring to this device format (FMT) contain LPAGE statements and no specific device option is required.

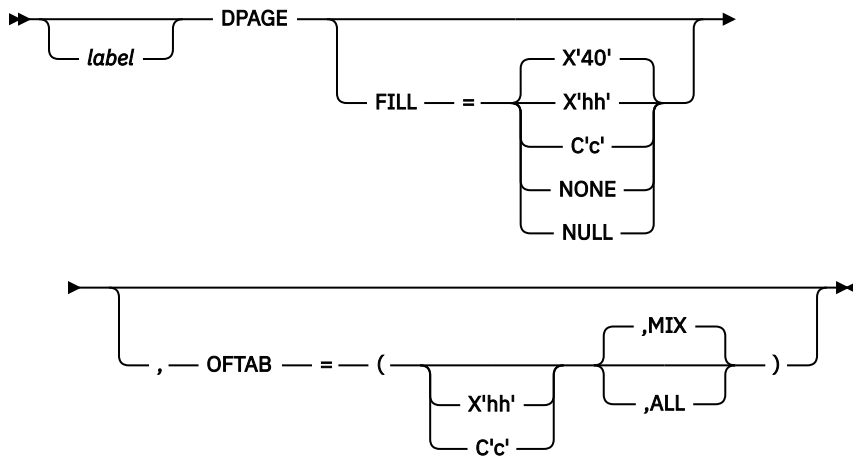
Format for DEV TYPE=DPM-An or DPM-Bn AND DIV TYPE=INPUT



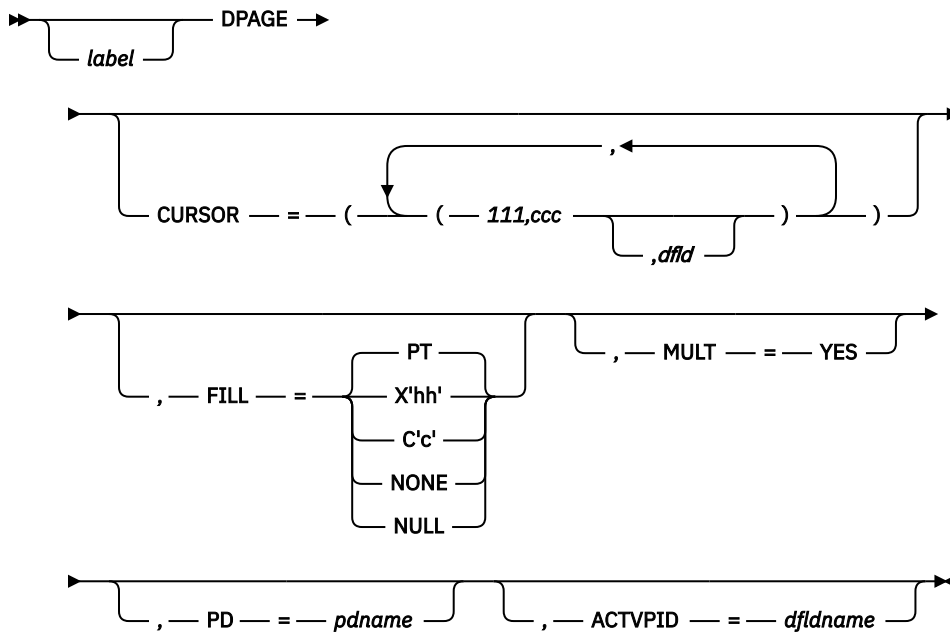
Format for DEV TYPE=DPM-An AND DIV TYPE=OUTPUT



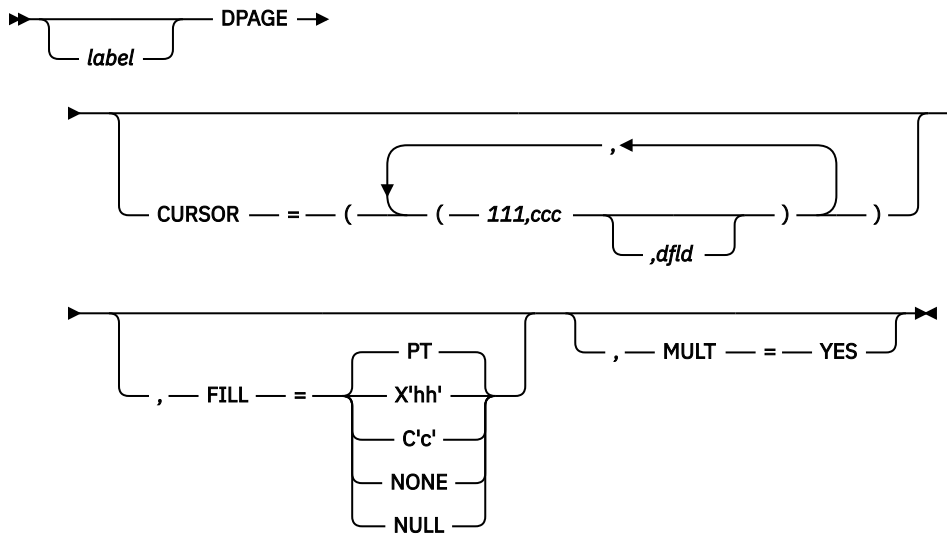
Format for DEV TYPE=DPM-Bn AND DIV TYPE=OUTPUT



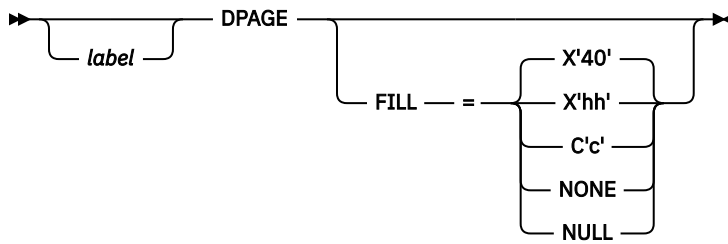
Format for DEV TYPE=3270-An



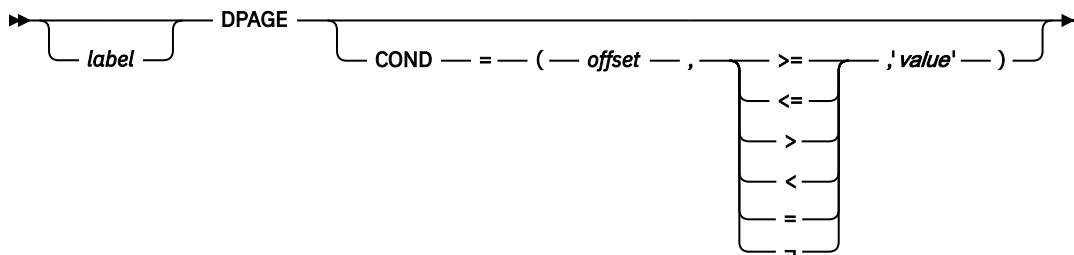
Format for DEV TYPE=3270



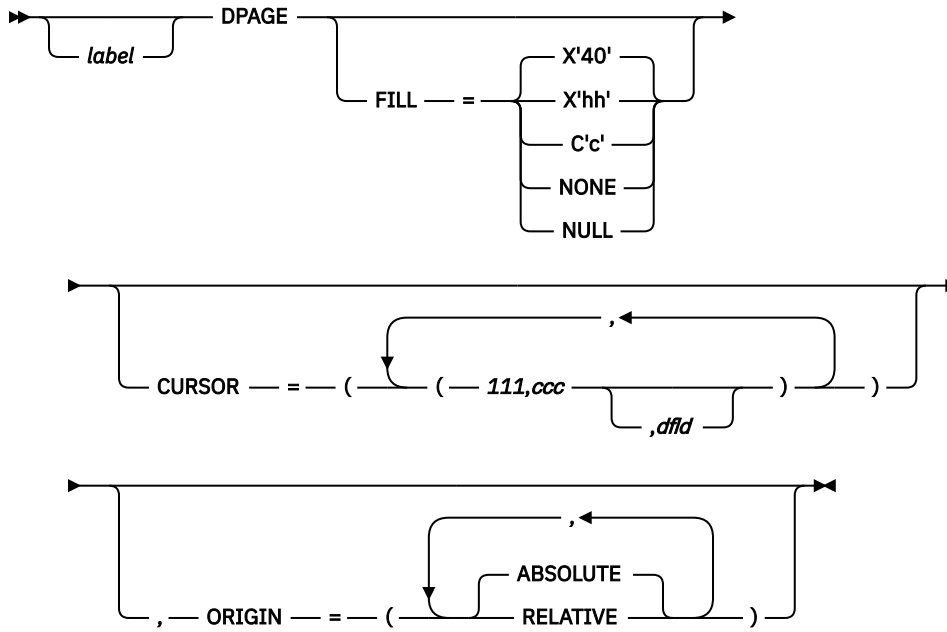
Format for DEV TYPE=3270P



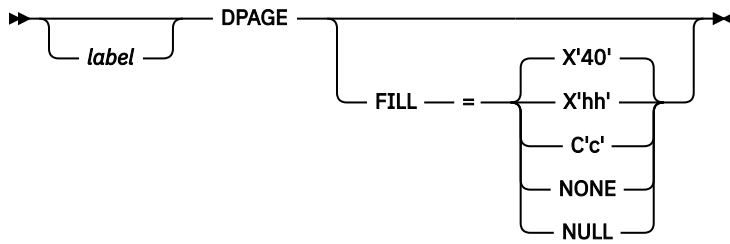
Format for DEV TYPE=FIN



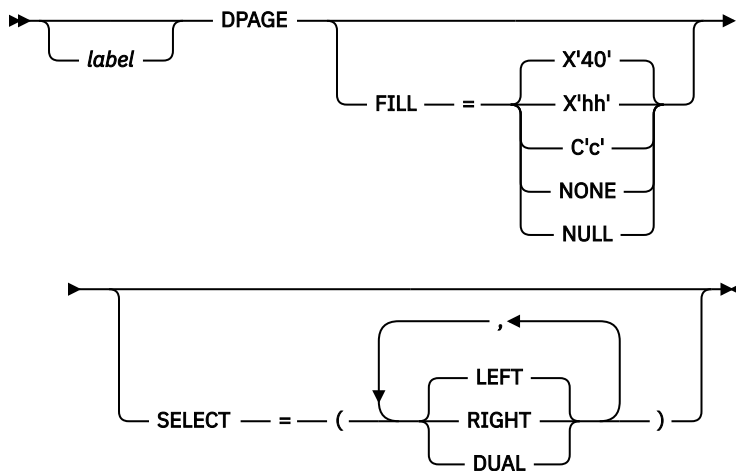
Format for DEV TYPE=FIDS, FIDS3, FIDS4, or FIDS7



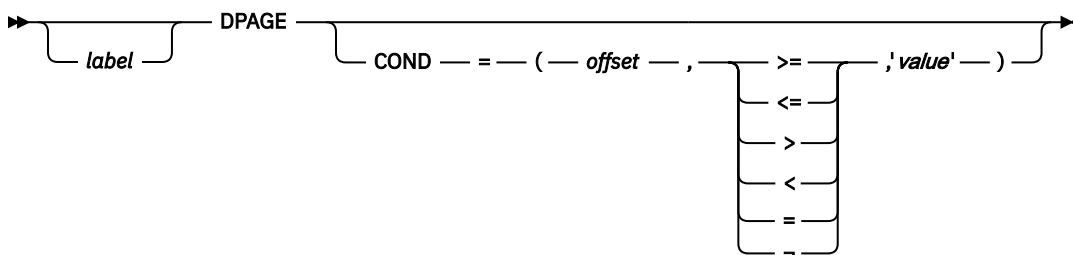
Format for DEV TYPE=FIJP or FIPB



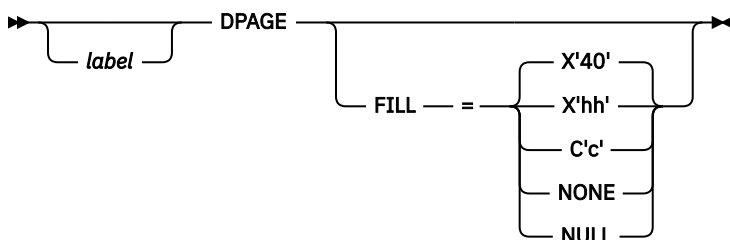
Format for DEV TYPE=FIFP



Format for DEV TYPE=SCS1 or SCS2 AND DIV TYPE=INPUT



Format for DEV TYPE=SCS1 or SCS2 AND DIV TYPE=OUTPUT



Parameters

label

A 1- to 8-byte alphanumeric name can be specified for this device format that contains LPAGE SOR= references, or if only one DPAGE statement is defined for the device. If multiple DEV statements are defined in the same FMT definition, each must contain DPAGE statements with the same label.

For device type DPM-An and DIV statement OPTIONS=DPAGE, this name is sent to the remote program as the data name in the output message header. If *label* is omitted, MFS generates a diagnostic name and sends it to the remote program in the header. If the DPAGE statement is omitted, the label on the FMT statement is sent in the output message header. If OPTIONS=DNM, the label on the FMT statement is sent as the DSN in the DD header.

COND=

Specifies a conditional test to be performed on the first input record. The offset specified is relative to zero. The specification of the offset must allow for the LLZZ field of the input record (for example, the first data byte is at offset 4). If the condition is satisfied, the DFLDs defined following this DPAGE are used to format the input. When no conditions are satisfied, the last defined DPAGE will be used only if the last defined DPAGE does not specify COND=. If the COND= parameter is specified for the last DPAGE defined and the last defined DPAGE condition is not satisfied, the input message will be rejected. Multiple LPAGE definitions are allowed in message input definitions.

If this keyword is specified, and OPTIONS=NODNM is specified on the DIV statement, this specification is used for DPAGE selection. If this keyword is specified and OPTIONS=DNM is specified on the DIV statement, the COND= specification is ignored and the data structure name from the DD header is used for DPAGE selection.

Lowercase data entered from Finance, SCS1, or SCS2 keyboards is not translated to uppercase when the COND= comparison is made. Therefore, the literal operand must also be in lowercase.

FILL=

Specifies a fill character for output device fields. Default value for all device types except the 3270 display is X'40'; default for the 3270 display is PT. For 3270 output when EGCS fields are present, only FILL=PT or FILL=NULL should be specified. A FILL=PT erases an output field (either a 1- or 2-byte field) only when data is sent to the field, and thus does not erase the DFLD if the application program message omits the MFLD. For DPM-Bn, if OFTAB is specified, FILL= is ignored and FILL=NULL is assumed.

NONE

Must be specified if the fill character from the message output descriptor is to be used to fill the device fields.

X'hh'

Specifies a hexadecimal character (*hh*) that is used to fill the device fields.

C'c'

Specifies a character (*c*) that is used to fill the device fields.

NULL

Specifies that fields are not to be filled. For devices other than the 3270 display, *compacted lines* are produced when message data does not fill the device fields.

For DPM-An devices, trailing nulls (X'3F') are removed from all records transmitted to the remote program or subsystem. Trailing nulls are removed up to the first non-null character. Null characters between non-null characters are transmitted. If the entire record is null, but more data records follow, a record containing a single null is transmitted to the remote program. If the entire record is null and more records follow, if OPTIONS=MSG or DPAGE, or in a PPAGE, if OPTIONS=PPAGE, then all null records are deleted to the end of that DPAGE or PPAGE.

PT

Is identical to NULL except for the 3270 display. For the 3270 display, specifies that output fields that do not fill the device field (DFLD) are followed by a program tab character to erase data previously in the field; otherwise, this operation is identical to FILL=NULL.

For 3270 display devices, any specification with a value less than X'3F' is changed to X'00' for control characters or to X'40' for other nongraphic characters. For all other devices, any FILL=X'hh' or FILL=C'c' specification with a value less than X'3F' is ignored and defaulted to X'3F' (which is equivalent to a specification of FILL=NULL).

MULT=YES

Specifies that multiple physical page input messages are allowed for this DPAGE.

CURSOR=

Specifies the position of the cursor on a physical page. Multiple cursor positions might be required if a logical page or message consists of multiple physical pages. The value *lll* specifies line number and *ccc* specifies column. Both *lll* and *ccc* must be greater than or equal to 1. The cursor position must either be on a defined field or defaulted. The default *lll,ccc* value for 3270 displays is 1,2. For Finance display components, if no cursor position is specified, MFS does not position the cursor—the cursor is normally placed at the end of the output data on the device. For Finance display components, all cursor positioning is absolute, regardless of the ORIGIN= parameter specified.

The *dfl*d parameter provides a method for supplying the application program with cursor information on input and allowing the application program to specify cursor position on output.

Recommendation: Use the cursor attribute facility (specify ATTR=YES in the MFLD statement) for output cursor positioning.

The *dfl*d parameter specifies the name of a field containing the cursor position. This name can be referenced by an MFLD statement and must *not* be used as the label of a DFLD statement in this DEV definition. The format of this field is two binary halfwords containing line and column number, respectively. When this field is referred to by a message input descriptor, it contains the cursor position at message entry. If referred to by a message output descriptor, the application program places the desired cursor position into this field as two binary halfwords containing line and column, respectively. Binary zeros in the named field cause the values specified for *lll,ccc* to be used for cursor positioning during output. During input, binary zeros in this field indicate that the cursor position is not defined. The input MFLD referring to this *dfl*d should be defined within a segment with GRAPHIC=NO specified or should use EXIT=(0,2) to convert the binary numbers to decimal.

ORIGIN=

Specifies page positioning on the Finance display for each physical page defined. Default value is ABSOLUTE.

ABSOLUTE

Erases the previous screen and positions the page at line 1 column 1. The line and column specified in the DFLD statement become the actual line and column of the data on the screen.

RELATIVE

Positions the page starting on column 1 of the line following the line where the cursor is positioned at time of output. Results might be undesirable unless all output to the device is planned in a consistent manner.

OFTAB=

Directs MFS to insert the output field tab separator character specified on this DPAGE statement for the output data stream of the DPAGE being described.

X'hh'

Specifies a hexadecimal character (*hh*) to be used as the output field tab separator character. X'3F' and X'40' are invalid.

C'c'

Specifies a character (*c*) to be used as the output field tab separator character. You cannot specify a blank for the character (C' ').

The character specified cannot be present in data streams from the IMS application program. If it is present, it is changed to a blank (X'40').

If the output field tab separator character is defined, either MIX or ALL can also be specified. Default value is MIX.

MIX

Specifies that an output field tab separator character is to be inserted into each individual field with no data or with data less than the defined DFLD length.

ALL

Specifies that an output field tab separator character is to be inserted into all fields, regardless of data length.

SELECT=

Specifies carriage selection for a FIFP device with FEAT=DUAL specified in the previous DEV statement. It is your responsibility to ensure that proper forms are mounted and that left margins are set properly. Default value is LEFT.

LEFT

Causes the corresponding physical page defined in this DPAGE to be directed to the left platen.

RIGHT

Causes the corresponding physical page defined in this DPAGE to be directed to the right platen.

DUAL

Causes the corresponding physical page defined in this DPAGE to be directed to both the left and right platens.

PD=

(for the 3180 and 3290 in partition formatted mode) Specifies the name of the partition descriptor of the partition associated with the DPAGE statement. This is the parameter that maps a logical page of a message to or from the appropriate partition. The name of the PD must be contained within the PDB statement specified in the DEV statement.

ACTVPID=

(for the 3290 in partition formatted mode) Specifies the name of an output field in the message containing the partition identification number (PID) of the partition to be activated. This *dfllname* must be referenced by an MFLD statement and must not be used as the label of a DFLD statement in the DEV definition. The application program places the PID of the partition to be activated in this field. The PID must be in the format of a two byte binary number ranging from X'0000' to X'000F'.

Restriction: Do not specify this operand for the 3180. Because only one partition is allowed for this device, you do not need to specify an active partition.

MFS message formatting functions

IMS provides message formatting functions for MFS. The control blocks format messages for different device types.

Input message formatting

Use the following information to format your MFS input messages.

Related concepts

[“Output message formatting options” on page 483](#)

MFS provides three message formatting options for output data. The option selected determines how the data is formatted and governs the way in which the application program builds the output message.

[“Input format control for ISC \(DPM-Bn\) subsystems” on page 480](#)

Use the major input message formatting functions of MFS with ISC nodes.

Input messages accepted by MFS

Only input data from devices that are defined to IMS TM as operating with MFS can be processed by MFS. However, the use of MFS for specific input messages depends on the message content and, in some cases, on the previous output message.

3770, SLU 1, and NTO

For MFS to process data from a 3770, SLU 1, or NTO, these devices must be defined to operate with MFS at IMS TM system definition or with user descriptors if the extended terminal option (ETO) is available.

After the device is defined to operate with MFS, the terminal still operates in unformatted mode (using basic edit, not MFS) until one of the following occurs:

- `//midname` is entered and sent to IMS.
- An output message to the terminal is processed using a message output descriptor (MOD) that names a message input descriptor (MID) to be used to process subsequent input data.

When `//midname` is received, MFS gets control to edit the data using the named MID. If any data follows `//midname` (`//midname` must be followed by a blank when data is also entered), MFS discards the `//midname` and the blank and formats the data according to the named MID. If no data follows `//midname`, MFS considers the next line received from the terminal to be the first line of the message.

When an output message is processed by a MOD that names a MID, the MID is used to format the next input from that terminal. This output message can be created by an application program, the IMS TM /FORMAT command, a message switch, or some other IMS TM function.

Once in "formatted mode" (using MFS, not IMS TM basic edit), the device continues to operate in formatted mode until one of the following occurs:

- `//` or `//b` (`//` followed by a blank) is received. The terminal returns to unformatted mode and the `//` (and blank) are discarded. The two slashes are escape characters.
- `//bH` and data are received. The terminal is returned to unformatted mode, the `//` blank is discarded, and the data is formatted by IMS TM basic edit.
- An output message whose MOD does not name a MID is sent to the terminal.

3270 and SLU 2

All 3270 and SLU 2 devices are automatically defined to operate with MFS.

Restriction: Situations in which 3270 and SLU 2 devices do not operate in formatted mode are:

- When first powered on
- After the CLEAR key is pressed
- When the MOD used to process an output message does not name a MID to use for the next input data received

- When MFS is bypassed by the application program using the DFS.EDT or DFS.EDTN modname

While in unformatted mode, input is limited to IMS TM commands, terminal test requests for VTAM, paging requests, and transaction code or message switch data that does not require MFS.

Finance and SLU P workstations

For MFS to process data from a Finance or SLU P workstation, the terminal must be defined to operate with MFS at IMS TM system definition or with user descriptors if ETO is available. Even when so defined, the workstation operates in unformatted mode (using IMS TM basic edit, not MFS) until one of the following occurs:

- The Finance or SLU P workstation remote application program requests MFS formatting by specifying the name of a MID in the input message header.
- `//midname` is entered by a workstation operator and is sent to IMS TM by the remote application program as the first or only part of the input message itself.

For proper SLU P formatting, include in the input message header a version identification (version ID). The version ID ensures that the correct level of MFS descriptor (Device Input Format, or DIF) is provided in mapping the input message. If this verification is not desired, the version ID can be sent with hexadecimal zeros (X'0000') or it can be omitted from the message header.

When an output message sent to an SLU P or Finance workstation is formatted using a MOD that names a MID, IMS TM sends the name of the MID to the workstation as part of the output message header. Because IMS TM does not have direct control of the terminal devices in these systems, IMS TM cannot guarantee the proper MID is used to process the next input. It is the responsibility of the remote program to save the MID name and to include it in the next input message it sends to IMS TM as the DPN.

Finance and SLU P workstations continue in formatted mode only when the current message has an associated MID or MOD.

Intersystem communication (ISC) subsystems

For data from an ISC subsystem to be processed by MFS, the ISC subsystem must be defined as UNITYPE=LUTYPE6 on the TYPE macro at IMS TM system definition or with ETO user descriptors. Even when so defined, the ISC subsystem operates in unformatted mode (using IMS TM basic edit or ISC edit, not MFS) until the ISC application program requests MFS formatting by specifying the name of a MID in the DPN field of the input message header.

When an output message sent to an ISC subsystem is formatted using a MOD that names a MID, IMS TM sends the name of the MID to the ISC subsystem in the RDPN field of the output message header. Because IMS TM does not have direct control of the ISC subsystem, IMS TM cannot guarantee the proper MID is used to process the next input. It is the responsibility of the ISC application program to save the MID name and to include it in the next input message it sends to IMS.

ISC subsystems continue in formatted mode only when the current message has an associated MID or MOD.

Formatting messages from terminals in preset destination mode

Preset destination mode is used to fix a destination for all messages entered from a terminal. Use the `/SET` command to enter preset destination mode. When a terminal is in preset mode, all input messages (processed by either MFS or basic edit) are routed to the destination established by the `/SET` command. You do not have to include the message destination in the input message.

When IMS TM basic edit processes input from a preset terminal, the preset destination name is added to the beginning of the first segment. When MFS processes input from a preset terminal, the preset destination name is not added to the beginning of the first segment; input message format is a result of your message definition and input. MFS provides many methods for reserving space in an input segment or for inserting a transaction code, without requiring you to specify a message destination.

Formatting of messages using Fast Path

If you plan to implement Fast Path, MFS functions like other IMS TM applications, with the restriction that all messages must be single-segment messages.

Related concepts

[Using Intersystem Communication Edit \(Application Programming\)](#)

[Extended Terminal Option \(ETO\) \(Communications and Connections\)](#)

Related reference

[/SET command \(Commands\)](#)

[/FORMAT command \(Commands\)](#)

How MFS formats input messages

Input data from MFS-supported devices in formatted mode is formatted based on the contents of two MFS control blocks—the message input descriptor (MID) and the device input format (DIF). The MID defines how the data should be formatted for presentation to the IMS TM application program and points to the DIF associated with the input device. The DIF describes the data as the data is received from the device.

If the message built by the MID is a command, the command must conform to the command format and syntax rules as documented in *IMS Version 15.5 Communications and Connections*.

Input message formatting options

MFS supports three message formatting options. The option selected determines how MFS interprets the MID definition and thereby formats the data into message fields for presentation to the application program.

The MID's MFLD statement or statements describes message fields in terms of:

- Length
- The device field from which input data is to be obtained
- Literal data for message fields which will not or do not receive device data
- Fill characters to use when the input data does not fill the message field
- Field justification (left or right) or truncation (left or right) specifications
- Whether the first 2 bytes of the field should be reserved for attribute data

The formatting option is specified in the MID's MSG statement (OPT=). The selection of the proper option for an application is a design decision that should be based on the complexity and variability of the device data stream, the programming language used, and the complexity of the program required to process the application under a given option. In the option descriptions, a NULL character is X'3F'.

MFS option 1

The effect of option 1 depends on whether a fill character of NULL has been defined. When no field in an option 1 message is defined to the MFS Language utility as having a fill character of NULL:

- Messages always contain the defined number of segments.
- Each segment is always of the defined length and contains all defined fields.
- All fields are filled with data, data and fill characters, or fill characters.

When fields in an option 1 message are defined as having a fill character of NULL:

- Each field with null fill and no input data from the device is eliminated from the message segment. If all fields in a segment are eliminated in this manner and no literals (explicit or default) are defined, the segment is eliminated; otherwise, the length of the segment is reduced and the relative position of succeeding fields in the segment is altered.

- Fields with null fill that receive device data that does not fill the field are not padded—the number of characters received for the device field becomes the number of characters of the input data. This alters the length of the segment and the relative position of all succeeding fields in the segment.

MFS option 2

Option 2 formatting is identical to option 1 unless a segment contains no input data from the device after editing. If this occurs and there are no more segments containing input data from the device, the message is terminated, and the last segment in the message is the last segment that contained input data from the device. If a segment is created that has no input data from the device, but there are subsequent segments that do contain data from the device, a segment is created with a single byte of data (X'3F') signifying that this is a pad or null segment. If this occurs on a first segment that is defined to contain a literal, an invalid transaction code could result because MFS does not insert explicit or default literals into segments for which no device input data is received.

MFS option 3

Option 3 formatting supplies the program with only the fields received from the input device. A segment is presented only if it contains fields that were received from the device. Segments are identified by a relative segment number and fields within a segment are identified by a segment offset. Segments and fields are both of variable length if they are described as having a fill character of NULL. Empty fields (fields without data) are not padded with fill characters. Segments that are presented to the application program appear in relative segment number sequence. Fields within the segment are in segment offset sequence.

Option 3 messages do not contain literals (explicit or default) specified in the MID.

If option 3 is used with conversational transactions, the transaction code is not removed from the message, since fields and offsets of fields are maintained within the text. The transaction code is still found in the SPA also.

Restriction: You cannot use option 3 input message formats to enter IMS TM commands. However, IMS TM commands can be entered by using IMS-supplied default formats, from the cleared screen, or from your defined option 1 and option 2 input message formats.

Related concepts

[“Input message formats” on page 425](#)

MFS edits input data from a device into an IMS application message format using the message definition that the MFS application designer writes as input to the MFS language utility program. An input message consists of all segments presented to an IMS application program when the program issues a DL/I GU or GN call.

[“Fill characters for output device fields” on page 485](#)

MFS uses fill characters to pad output device fields when the length of the data received from the application program is less than the specified length or no data for the field is received.

Related reference

[“Device-dependent output information” on page 431](#)

Using certain options for outputting information can make the application program device-dependent. Some options allow the application program to control certain features of devices receiving output. Descriptions of the effects of various output options follow.

Examples of message segment definitions

The examples illustrate the message segment definitions, then for options 1, 2, and 3, the contents, length in bytes, and a code for the type for each field.

The field types are labeled as shown in the following table.

Table 130. Input message field types

Type Code	Description
A	Total segment length, including fields A, B, C, 2 bytes, binary
B	Z1 field—reserved for IMS TM usage
C	Z2 field—indicates formatting option 1 byte, binary
D	Relative segment number 2 bytes, binary
E	Field length, including length of fields E, F, 2 bytes, binary
F	Relative field offset in the defined segment 2 bytes, binary
G	Field

Notes:

1. No boundary alignment is performed for fields A, D, E, or F.
2. Fields A, B, and D must be on halfword boundaries. To do this, ensure the I/O area is on a boundary when the GU or GN call to IMS TM is made.
3. For the PLITDLI interface, the length (LL) field must be declared as a binary fullword. The value in the LL field is the segment length minus 2 bytes. For example, if the input message segment is 16 bytes, LL is 14 bytes, which is the sum of the lengths of LL (4 bytes minus 2 bytes), ZZ (2 bytes), and TEXT (10 bytes).

Example 1: input message format

The following table describes the definition for an input message.

Table 131. Example 1: input message definition

Segment Number	Field Name	Field Length	Field Value
1	LL	2	0072
	ZZ	2	XXXX
	TRANCODE	8	YYYY
	Text	10	MAN NO.
	Text	50	NAME
2	LL	2	0059
	ZZ	2	XXXX
	Text	5	DEPT
	Text	50	LOCATION
3	LL	2	0064
	ZZ	2	XXXX
	Text	10	PART NO.
	Text	50	DESCRIPTION

Table 131. Example 1: input message definition (continued)

Segment Number	Field Name	Field Length	Field Value
4	LL	2	0019
	ZZ	2	XXXX
	Text	10	QUANTITY
	Text	5	ORDER PRIORITY

All fields defined as left justified, with a fill character of blank.

You enter:

Field Name

Input

NAME

ABJONES

PART NO.

23696

DESCRIPTION

WIDGET

The transaction code is provided from the message input description as a literal. The input message would appear to the application program as shown in one of the following tables.

Table 132. Example 1: application program view for option 1

Segment Number	Field Type	Field Length	Field Value
1	A	2	0072
	B	1	XX
	C	1	01
	TRANCODE	8	YYYY
	Text	10	blanks
	Text	50	ABJONES
	A	2	0059
2	B	1	XX
	C	1	01
	Text	5	blanks
	Text	50	blanks
	A	2	0064
3	B	1	XX
	C	1	01
	Text	10	23696
	Text	50	WIDGET

Table 132. Example 1: application program view for option 1 (continued)

Segment Number	Field Type	Field Length	Field Value
4	A	2	0019
	B	1	XX
	C	1	01
	Text	10	blanks
	Text	5	blanks

Table 133. Example 1: application program view for option 2

Segment Number	Field Type	Field Length	Field Value
1	A	2	0072
	B	1	XX
	C	1	02
	TRANCODE	8	YYYY
	Text	10	blanks
	Text	50	ABJONES
2	A	2	0005
	B	1	XX
	C	1	02
	Text	1	X'3F'
3	A	2	0064
	B	1	XX
	C	1	02
	Text	10	23696
	Text	50	WIDGET

Table 134. Example 1: application program view for option 3

Segment Number	Field Type	Field Length	Field Value
1	A	2	0060
	B	1	XX
	C	1	03
	D	2	0001
	E	2	0054
	F	2	0022
	G	50	ABJONES

Table 134. Example 1: application program view for option 3 (continued)

Segment Number	Field Type	Field Length	Field Value
2	A	2	0074
	B	1	XX
	C	1	03
	Text	2	0003
	D	2	0014
	E	2	0004
	F	2	23696
	G	2	0054
	F	2	0014
	G	50	WIDGET

The option 3 example shows no transaction code in the first segment because literals are not inserted into option 3 segments. This message would be rejected unless it is received from a terminal in conversational or preset destination mode, because transaction code validation is performed after the messages are formatted.

Example 2: input message format

The segments are similar to those in example 1. Fields are defined as in example 1, except for the following:

Field Name

Contents

NAME

null pad

DEPT

null pad

LOCATION

null pad

PART NO.

right justify, pad of EBCDIC zero

QUANTITY

null pad

You enter:

Field Name

Input

NAME

ABJONES

PART NO.

23696

DESCRIPTION

WIDGET

PRIORITY

HI

Transaction code is provided as a 3270 program function key literal or a special data field from a Finance workstation. The input message appears as shown in one of the following tables.

Table 135. Example 2: application program view for option 1

Segment Number	Field Type	Field Length	Field Value
1	A	2	0029
	B	1	XX
	C	1	01
	TRANCODE	8	YYYY
	Text	10	blanks
	Text	50	ABJONES
	2	No second segment is presented because all of its fields were null padded and no input data was received from the device for these fields.	
3	A	2	0064
	B	1	XX
	C	1	01
	Text	10	0000023696
	Text	50	WIDGET
4	A	2	0009
	B	1	XX
	C	1	01
	Text	5	HI

Table 136. Example 2: application program view for option 2

Segment Number	Field Type	Field Length	Field Value
1	A	2	0029
	B	1	XX
	C	1	02
	TRANCODE	8	YYYY
	Text	10	blanks
	Text	7	ABJONES
	2	A	2
2	B	1	XX
	C	1	02
	Text	1	X'3F'

Table 136. Example 2: application program view for option 2 (continued)

Segment Number	Field Type	Field Length	Field Value
3	A	2	0064
	B	1	XX
	C	1	02
	Text	10	0000023696
	Text	50	WIDGET
4	A	2	0009
	B	1	XX
	C	1	02
	Text	5	HI

Table 137. Example 2: application program view for option 3

Segment Number	Field Type	Field Length	Field Value
1	A	2	0029
	B	1	XX
	C	1	03
	D	2	0001
	E	2	0012
	F	2	0004
	G	8	TRANCODE
	E	2	0011
	F	2	0022
	G	7	ABJONES
2	A	2	0074
	B	1	XX
	C	1	03
	D	2	0003
	E	2	0014
	F	2	0004
	G	10	0000023696
	E	2	0054
F	2	0014	
G	50	WIDGET	

Table 137. Example 2: application program view for option 3 (continued)

Segment Number	Field Type	Field Length	Field Value
3	A	2	0015
	B	1	XX
	C	1	03
	D	2	0004
	E	2	0009
	F	2	0014
	G	5	HI

Cursor position input and FILL=NULL

With MFS, a problem might arise when the application program is told the cursor position on input.

This problem occurs when:

- The input message uses formatting option 1 or 2.
- The MFLD used for cursor position data is defined in a segment where at least one MFLD is defined to use null fill (FILL=NULL).

When these conditions occur, cursor position 63 (X'3F') results in a 3-byte field containing compressed cursor data, rather than a normal 4-byte field. The MFLD with this potential problem is flagged with the message "DFS1150".

To avoid this problem, change the MFLD statement for the cursor data field to specify EXIT=(0,2). This will cause the IMS TM-provided field edit routine to convert the field contents from binary to EBCDIC. The application program must also be changed to handle the EBCDIC format.

Input logical page selection

An input logical page (LPAGE) determines the content of the input message that is presented to the application program. It consists of a user-defined group of related message segment and field definitions. An input LPAGE is identified by an LPAGE statement. When no LPAGE statement is present, all message field definitions in the MSG are treated as a single LPAGE. An input LPAGE identified by an LPAGE statement can refer to one or more input device pages (DPAGE).

An input DPAGE defines a device format that can be used for an input LPAGE. It consists of a user-defined group of device field definitions. An input DPAGE is identified by a DPAGE statement. When no DPAGE statement is present, all device field definitions following the DIV statement are treated as a single DPAGE. If multiple DPAGES are defined, each DPAGE statement must be labeled. A DPAGE identified by a labeled DPAGE statement must be referred to by an LPAGE statement.

3270 and SLU 2 device input data is always processed by the currently displayed DPAGE. For other devices, if multiple DPAGES are defined in their formats, a conditional test is performed on the first input record received from the device. The results of this test determine which DPAGE is selected for input data processing. The LPAGE that refers to the selected DPAGE is used for input message formatting.

If input LPAGES are not defined, message fields can refer to device fields in any DPAGE, but input data from the device for any given input message is limited to fields defined in a single DPAGE.

Input message field and segment edit routines

To simplify programming, MFS application designers should consider using (for all but SLU P devices) input message field and segment edit routines to perform common editing functions such as numeric validation or conversion of blanks to numeric zeros.

While use by existing applications is unlikely, field and segment edit routines can simplify programming of new applications by using standard field edits to perform functions that would otherwise need to be coded in each application program. *IMS Version 15.5 Exit Routines* lists the field and segment edit

routines provided by IMS. The input message field or segment edit routines can be disabled for SLU P (DPM-An and ISC) devices, because editing is probably done by the remote program.

Using field and segment edit routines causes extra processing in the IMS TM control region and, if used extensively, creates a measurable performance cost. However, these edit routines can improve performance by reducing processing time in the message processing region, reducing logging and queuing time, and by allowing field verification and correction without scheduling an application program. Efficiency of these user-written routines should be a prime concern.

Because these routines execute in the IMS TM control region, an abend in the edit routine causes an abend of the IMS TM control region.

IMS-supplied field and segment edit routines

IMS TM provides both a field and a segment edit routine that the MFS application designer might want to use. *IMS Version 15.5 Exit Routines* lists the IMS-supplied routines.

Under z/OS, any code written to replace these IMS-supplied routines must be able to execute in RMODE 24, AMODE 31 and be capable of 31-bit addressing even if they do not reference any 31-bit addressable resources. AMODE refers to addressing mode; when running modules in AMODE 31, Extended Architecture processors interpret both instruction and data addresses to be 31 bits wide.

Field edit routine (DFSME000)

The functions of the field edit routine are based on the entry vector. It can use all three formatting options. For options 1 and 2, entry vector 1 can produce undesirable results if FILL=NULL was specified in the MFLD statement.

Input message literal fields

Input message fields can be defined to contain literal data that you specify during definition of the MID. You can define a default literal that MFS always inserts as part of the input message. You can also define a literal that MFS inserts as part of the input message when no data for the field is received from the device.

Using a default literal can simplify application programming. When used, application programs no longer need to test for "no data" conditions or to provide exception handling. Default literals make it possible for an application program to distinguish between zero-value data you enter and a condition of "no data entered".

For example, consider this MFLD definition:

```
MFLD (DFLD1, 'NO DATA'), LTH=7, JUST=R, FILL=C'0'
```

For example, an application program would view your entries as follows:

Your Entry

Program Data Viewed

296

0000296

0

0000000

no data entered

NO DATA

Without a default literal, the results of entering a value of 0 and of entering no data are the same—0000000.

Defaults can be altered without changing application programs, and multiple defaults can be provided by using different message descriptors or different input logical pages.

Default literals can also expand device independence by providing a device-independent method of inserting data in an input message field if no data is entered from the device for that field. This function of the default literal is used often for 3270 or SLU 2 devices, which have the same device format for input as

for output. For these devices, the default (transaction code, data, or both) can be provided if you specify a default literal on input (MID).

Input message field attribute data

Nonliteral input message fields can be defined to allow for attribute data, extended attribute data, or both.

When defined to do so, MFS initializes to blanks and reserves the first bytes of the message field for attribute or extended attribute data. These first bytes are filled in by a field edit routine or in its preparation of an output message. When attribute or extended attribute space is specified, the specified field length must include space for the attribute or extended attribute bytes.

Sometimes input messages are updated by an application program and returned to the device. The application program can simplify message definitions if the message uses attribute data as the output message, and the attribute data bytes are defined in the input message, also.

When a field edit routine is used, it can be designed (as the IMS-supplied field edit routine is) to set attribute bytes on fields in error. In this way, erroneous fields can be highlighted before the segment edit routine returns the message to the device. In this case, the application program is not concerned with attribute bytes.

IMS TM password

The IMS TM password portion of an input message is defined in the input message definition. One or more input message fields can be defined to create the IMS TM password.

Using this method of password definition allows passwords to be created from field data you enter, from data read by a 3270, SLU 2, 3770 operator identification card reader, or data from a 3270 magnetic stripe reader.

Recommendation: If you use an SLU 2 or a 3270, you can also define a specific device field as the location of the IMS TM password, but the method discussed in this section takes precedence if both an input message field and a device field are defined.

Fill characters for input message fields

MFS uses fill characters to pad message fields when the length of the data received from the device is less than the specified field length, no data for the field is received and no default literal is defined, or the data received from SLU P contains nulls and NULL=DELETE is specified.

The fill characters that can be selected are a blank (X'40'), any EBCDIC hexadecimal character (X'hh'), or an EBCDIC graphic character (C'c'). Null compression, which causes compression of the message to the left by the amount of missing data, can also be selected. How MFS actually pads the message fields is a function of the selected fill character and the message formatting option being used.

Input modes (devices other than 3270, SLU 2, or ISC subsystems)

MFS expects input message fields to be entered in the sequence in which they were defined to the MFS Language utility program. For devices other than SLU 2 and 3270, MFS application designers have a choice of how fields are defined and how MFS should scan those fields. You can select record mode or stream mode. Record mode is the default.

In record mode:

- Input fields are defined as occurring within a specific record (a line or card from the 3770, or SLU 1; a transmission from the Finance or SLU P workstation) that is sent from the input device.
- Fields must not be split across record boundaries.
- Fields defined within a record must appear on that record to be considered by MFS.
- When MFS locates the end of a record, the current field is terminated and any other fields defined for that record are processed with no device data (message fill).
- If the record received by IMS TM contains more data fields than the number of fields defined for the record, the remaining data fields are not considered by MFS.

For input data from a Finance or SLU P workstation remote program, the input message header or *//midname* can be transmitted separately if the data fields for the first record do not fit in the same record. If no data follows the input message header or the *//midname*, MFS considers the next transmission received to be the first record of the input message.

In stream mode:

- Fields are defined as a contiguous stream of data unaffected by record boundaries.
- Fields can be split across input records and fields can be entered from any input record as long as they are entered in the defined sequence.

Input field tabs (devices other than 3270 or SLU 2)

An input field tab (FTAB) is a character defined in the DEV statement for separating input fields if the length of the data entered is less than the defined field length, or for when no data is specified for a field. An FTAB causes the MFS input scan to move to the first position of the next defined field. FTABs can be defined only for input from devices other than the 3270 or SLU 2. When no FTABs are defined, each device input field is assumed to be of its defined length.

Select a character for input field separation that is never used for other user data in the data stream. If FTAB is not unique, the data might be misinterpreted by MFS.

For example, the following figure shows some DFLD field definitions and the device format that results from these definitions.

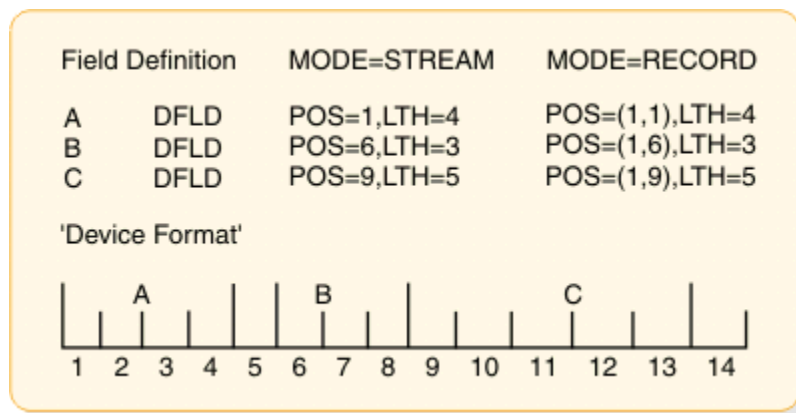


Figure 29. FTAB qualification descriptions

When an FTAB is defined, its use is qualified by specifying FORCE, MIX, or ALL. The previous figure shows how the FTAB qualification affects the results of an MFS input scan following variable operator input of a three-field message.

The following figure provides examples of correct and failed results produced by FTAB specifications. The double-headed arrows indicate that the FTAB qualification does not affect input scan. Input examples 2, 3, and 6 produce correct results using any of the FTAB qualifications but example 8 does not produce correct results regardless of FTAB qualifications. The following sections (FORCE, MIX, and ALL) specify which examples have failed results and why these results are undesirable.

FORCE

FORCE is the default value. Each device input field is assumed to be of its defined length until an FTAB is encountered. When the first FTAB is encountered, it signifies the end of data for the current field. The byte of data following the FTAB is considered the first byte of the next field. In record mode, all subsequent fields in the current record require an FTAB. In stream mode, all subsequent fields require an FTAB. FTABs used on subsequent fields indicate that the character following the FTAB is the first for the next defined field. (This is as if ALL were specified).

In the following figure, examples 1, 2, 3, 5, 6, and 7 produce the desired result. Example 4 fails because no FTAB is supplied following field B (compare with example 5). Example 8 fails because no FTABs

are entered, the 0 is occupying the blank (undefined) position, and subsequent fields are thus incorrect (compare with example 1).

MIX

Each device input field is assumed to be of its defined length until an FTAB is encountered. When the first FTAB is encountered, it signifies the end of data for the current field. The byte of data following the FTAB is considered the first byte of the next field. Subsequent fields of the defined length do not require an FTAB; if one is entered and the next field is contiguous (like fields B and C in the example), undesirable results occur (see example 5). Mixed FTABs operate just like a typewriter with tab stops set at the first position of each defined field (columns 1, 6, and 9 in the example).

In the following figure, examples 1, 2, 3, 4, 6, and 7 produce the desired result. Example 5 fails because field B is of its defined length and does not require an FTAB; the FTAB is interpreted to indicate no data for field C (compare with example 4). Example 8 fails because no FTABs are entered, the 0 is occupying the blank (undefined) position, and subsequent fields are thus incorrect (compare with example 1).

ALL

When ALL is specified, each device input field must be terminated by an FTAB regardless of whether it is greater than, less than, or equal to the defined length. When an FTAB is encountered, it signifies the end of data for the current field. The byte of data following the FTAB is considered the first byte of the next field.

In the following figure, examples 2, 3, 5, and 6 produce the desired result. Examples 1, 4, 7, and 8 fail because the required FTABs are not entered.

OPERATOR INPUT EXAMPLE	FIELD	MFS DFLD DATA					
		FTAB=(',',FORCE)		FTAB=(',',MIX)		FTAB=(',',ALL)	
		LTH	DATA	LTH	DATA	LTH	DATA
1 PART02315231	A	4	PART	4	PART	4	PART
	B	3	023	3	023	0	
	C	5	15231	5	15231	0	
2 P1,23,15231	A	2	P1	2	P1	2	P1
	B	2	23	2	23	2	23
	C	5	15231	5	15231	5	15231
3 PART,23,15	A	4	PART	4	PART	4	PART
	B	2	23	2	23	2	23
	C	2	15	2	15	2	15
4 PART,02315231	A	4	PART	4	PART	4	PART
	B	3	023	3	023	3	023
	C	0		5	15231	0	
5 PART,023,15231	A	4	PART	4	PART	4	PART
	B	3	023	3	023	3	023
	C	5	15231	0		5	15231
6 PART,,15231	A	4	PART	4	PART	4	PART
	B	0		0		0	
	C	5	15231	5	15231	5	15231
7 PART0,15231	A	4	PART	4	PART	4	PART
	B	0		0		3	152
	C	5	15231	5	15231	0	
8 PART02315231	A	4	PART	4	PART	4	PART
	B	3	231	3	231	0	
	C	4	5231	4	5231	0	

Note: In this example, the comma is used as the FTAB character.

Figure 30. MFS input scan when FTABs are defined with FORCE, MIX, and ALL

Optional deletion of null characters for DPM-An

MFS provides for optional deletion of trailing null characters in transmission records and input data fields from SLU P (DPM-An) remote programs. (A null character is a hexadecimal zero, X'00'.) In the DIV statement, the device input format can specify NULL=KEEP or NULL=DELETE. NULL=DELETE means that MFS scans data fields and transmission records for trailing nulls and deletes them. KEEP is the default and means that MFS leaves trailing nulls in the data and treats them as valid data characters.

If trailing null characters have been replaced by fill characters by the remote program, MFS treats the fill characters as valid data characters.

When NULL=DELETE is specified, nulls at the end of a record are deleted before the data fields are scanned. In record mode, the end of the record is determined either by the FTAB or by the first other non-null character found (searching backward from the end of the record). In stream mode, trailing nulls at the end of the record are deleted only if an FTAB indicates the end of the record; otherwise, the record is handled as received from the remote program.

During the data field scan, the first trailing null character encountered in the field signifies the end of the data for the current field. The data is edited into the message field using the message fill character to pad the field if required. If the entire field contains nulls (such as nulls at the end of the record), the entire message field is padded with the specified fill character.

The scan for trailing null characters within fields is performed for each record transmitted. If an FTAB character is encountered in the current record being processed, the scan for trailing nulls characters within fields is discontinued for that record and resumes with the next record.

Transmitting null characters to either IMS TM or the delete operation is costly in execution time. Weigh the relative costs when you decide whether to use the NULL=DELETE option or to delete the nulls using the remote program. You must also consider the effects of the FTAB options FORCE, MIX, and ALL. These costs are affected by the following:

- When FTAB=ALL is specified with NULL=DELETE, only trailing null characters at the end of the record can be removed by MFS.
- In stream mode, with NULL=DELETE, an FTAB should be used to show an omitted field at the end of a record. Otherwise, nulls (equal to the number of characters defined for the field or fields) must be transmitted.
- If FTABs are specified and NULL=DELETE, nulls and FTABs can be mixed. FTABs can be used for one record, nulls for the next. The nulls are removed from the record with no FTABs. With FTABs in the record, null characters are treated as data.
- With NULL=DELETE, binary data that might contain valid trailing hexadecimal zeros (not intended as null characters) must be preceded by an FTAB character for a previous field to prevent deletion of the trailing X'00'.

Related reference

[“DIV statement” on page 446](#)

The DIV statement defines device formats within a DIF or DOF. The formats are identified as input, output, or both input and output, and can consist of multiple physical pages. For DEV TYPE=SCS1, SCS2, or DPM-AN, two DIV statements can be defined: DIV TYPE=OUTPUT and DIV TYPE=INPUT. For all other device types, only one DIV statement per DEV is allowed.

Examples of optional null character deletion for DPM-An

The following are examples of optional null character deletion for DPM-An.

In the three examples that follow, the comma is the specified FTAB, X'5F' is input hexadecimal data, and characters are defined as follows:

```
X'6B'=C","  
X'C1'=C"A"  
X'C2'=C"B"  
X'C3'=C"C"  
C"b"=blank
```


X'40'=C"b"

Example 1: input binary data and nulls

Device Input Format		Message Input Definition	
INFMT	FMT	INMSG	MSG TYPE=INPUT,SOR=INFMT
	DEV TYPE=DPM-A1, FTAB=(;;MIX)	SEG	
	DIV TYPE=INPUT, NULL=DELETE		
	PPAGE		
A	DFLD LTH=3	MFLD A, LTH=3	
B	DFLD LTH=2	MFLD B, LTH=2	
	FMTEND	MSGEND	

Input Message	Record	Field	DFLD Data	MFLD Data
(1) X'C1C2C3005F'	1	A	C"ABC"	C"ABC"
		B	X'005F'	X'005F'
(2) X'C1C26B005F'	1	A	C"AB"	C"ABb"
		B	X'005F'	X'005F'
(3) X'C1C200005F'	1	A	C"AB"	C"ABb"
		B	X'005F'	X'005F'
(4) X'C1C2C35F00'	1	A	C"ABC"	C"ABC"
		B	X'5F'	X'5F40'
(5) X'C1C26B5F00'	1	A	C"AB"	C"ABb"
		B	X'5F'	X'5F40'

Note: The X'00' (null) at the end of the record in input messages (4) and (5) is deleted before the data fields (A and B) are scanned. Therefore, the results are the same for field B, even though an FTAB (comma in this example) follows field A. If X'00' is to be considered as data for field B, an FTAB (comma in this example) should be entered following the X'5F00'.

Example 2: record mode input

Device Input Format		Message Input Definition	
INFMT	FMT	INMSG	MSG TYPE=INPUT,SOR=INFMT
	DEV TYPE=DPM-A1, FTAB=(;;MIX),	SEG	
	MODE=RECORD		
	DIV TYPE=INPUT, RCDCTL=12,	MFLD A, LTH=3, FILL=C' * '	
	NULL=DELETE		
	PPAGE	MFLD B, LTH=3, FILL=C' * '	
A	DFLD LTH=3	MFLD C, LTH=3, FILL=C' * * '	
B	DFLD LTH=3	MFLD D, LTH=3, FILL=C' * * '	
C	DFLD LTH=3	SEG	
D	DFLD LTH=3	MFLD E, LTH=5, FILL=C' * * '	
E	DFLD LTH=5	MFLD F, LTH=7, FILL=C' * * '	
F	DFLD LTH=7	SEG	
G	DFLD LTH=5	MFLD G, LTH=5, FILL=C' * * '	
	FMTEND	MSGEND	

Input Message	Record	Field	DFLD Data	Segment	MFLD Data
(1) X'C10000C20000C3C3C3000000'	1	A	C'A'	1	C'A***'
		B	C'B'		C'B***'
		C	C'CCC'		C'CCC'
		D	no data		C'****'
X'C5C56BC6C66B000000000000'	2	E	C'EE'	2	C'EE****'
		F	C'FF'		C'FF*****'

Input Message	Record	Field	DFLD Data	Segment	MFLD Data
X'0000000000'	3	G	no data	3	C'*****'
(2) X'C10000C20000C3C3C3'	1	A	C'A'	1	C'A**'
		B	C'B'		C'B**'
		C	C'CCC'		C'CCC'
		D	no data		C'****'
X'C5C56BC6C6'	2	E	C'EE'	2	C'EE****'
		F	C'FF'		C'FF*****'
no input record	3	G	no data	3	C'*****'

Note: In this example, no input data was entered for fields D and G. Input message 1 contains nulls in place of omitted fields. Input message 2 does not contain nulls for omitted fields, but the results are the same for both input messages.

Example 3: stream mode input

```

Device Input Format          Message Input Definition
  INFMT FMT                INMSG MSG  TYPE=INPUT,SOR=INFMT
      DEV TYPE=DPM-A1, FTAB=(;MIX), SEG
      MODE=STREAM
      DIV TYPE=INPUT, NULL=DELETE
A      DFLD LTH=3          MFLD A,LTH=3,FILL=C'*'
B      DFLD LTH=3          MFLD B,LTH=3,FILL=C'*'
C      DFLD LTH=3          MFLD C,LTH=3,FILL=C'*'
D      DFLD LTH=3          SEG
E      DFLD LTH=5          MFLD E,LTH=5,FILL=C'*'
F      DFLD LTH=7          MFLD F,LTH=7,FILL=C'*'
G      DFLD LTH=5          SEG
      FMTEND              MFLD G,LTH=5,FILL=C'*'
                          MSGEND

```

Input Message	Record	Field	DFLD Data	Segment	MFLD Data
(1) X'C10000C20000C3C3C3000000'	1	A	C'A'	1	C'A**'
		B	C'B'		C'B**'
		C	C'CCC'		C'CCC'
		D	no data		C'****'
X'C5C56BC6C66B0000000000000'	2	E	C'EE'	2	C'EE****'
		F	C'FF'		C'FF*****'
X'0000000000000000'	3	G	no data	3	C'*****'
(2) X'C10000C20000C3C3C3'	1	A	C'A'	1	C'A**'
		B	C'B'		C'B**'
		C	C'CCC'		C'CCC'
	2	D	C'EE'	C'EE**'	
X'C5C56BC6C6'	2	E	C'FF'	2	C'FF****'
		F	no data		C'*****'

Input Message	Record	Field	DFLD Data	Segment	MFLD Data
no input record	3	G	no data	3	C'*****'

Note: In this example, no input data was entered for fields D and G. Input message 1 contains nulls in place of omitted fields. Input message 2 does not contain nulls for omitted fields and produces undesirable results for fields D, E, and F.

Multiple physical page input messages (3270 and SLU 2 display devices)

Specifying multiple physical page input for 3270 and SLU 2 display devices allows creation of identical input messages for a transaction regardless of the physical capacity of the device being used.

When this facility is used, an input message consisting of multiple physical pages can be entered using multiple physical pages of a single output logical page. If multiple physical pages are defined for output, the only action required to obtain multiple physical page input is to specify MULT=YES in the DPAGE statement.

For the 3290 Information Display Panel in partitioned mode, multiple physical page input from a single partition is supported only if the DPAGE statement for the current partition specifies MULT=YES. The multiple physical pages for a single input message must come from a single partition.

If MULT=YES is not specified on the DPAGE statement for the current partition, one physical page of a single partition constructs a single input message and the input message is restricted to a single logical page.

Input messages can be created from multiple DPAGEs. This function is available for devices other than 3270 and SLU 2.

Related concepts

[“Physical paging of output messages” on page 484](#)

A logical page can be defined to consist of one or more physical pages. Physical paging allows data from a logical page to be displayed in several physical pages on the device. Physical page assignments are made in the format definition. For display devices, the size of a physical page is defined by the screen capacity (the number of lines and columns that can be referred to). For most printer devices, a physical page is defined by the user-specified page length (number of lines) and the printer's line length.

General rules for multiple DPAGE input

Follow these rules for multiple DPAGE input.

1. If any mapped input LPAGE contains no data segments (as a result of segment routines canceling all segments, for example), the input message is rejected and an error message is sent to the other subsystem.
2. MFS echo to the input terminal is ignored.
3. MFS password creation occurs from any DPAGE, but once created, any other password is ignored. If the password is included in the attach FM header, this password is used for DPM-Bn.
4. Input message options 1, 2, and 3 apply to LPAGEs. If option 2 is requested, null segments at end of an LPAGE are eliminated. This alters the relative positions of the segments in the next LPAGE (if any) in the input message. If option 1 or 2 is requested, the first segment of the second and all subsequent LPAGEs have the page bit (X'40') in the Z2 field turned on regardless of any null segments resulting at the end of the previous LPAGE. If option 3 is requested, the segment ID is equal to 1 for every first segment in the new LPAGE.
5. Multiple DPAGE input requested in MFS definitions does not restrict message creation from the single DPAGE.
6. If your control request is entered with the first input DPAGE, the request is processed and the input message is rejected. If your control request is entered with an input DPAGE other than the first, the request is ignored and the input message is accepted.

7. If your logical page request is entered with the first input DPAGE (that is, an equals sign (=) in the first position of the input segment), the request is processed and the input message is rejected.

If multiple DPAGE input is not requested of MFS definitions, message creation from more than one DPAGE is not permitted and these rules apply:

1. If a single transmission contains more data than defined for the DPAGE selected, the input message is rejected and an error message is sent to the other subsystem.
2. If the message has multiple transmissions, the input message is rejected and an error message is sent to the other subsystem.

3270 and SLU 2 input substitution character

A X'3F' can be received on input by IMS TM from some terminals (such as by using the ERROR key).

The substitution character (X'3F') provides a means of informing the host application that an error exists in the field. MFS also uses X'3F' for IMS TM functions on input data streams. To eliminate the confusion resulting from the two uses of the X'3F' characters, a parameter (SUB=) is provided on the DEV statement for use with 3270 and SLU 2 display devices.

With this parameter, a user-specified character can be defined to replace any X'3F' characters received by MFS in the 3270 and SLU 2 data stream. No translation occurs if any of the following is true:

- The SUB= parameter is not specified.
- The SUB= parameter is specified as X'3F'.
- The input received bypasses MFS.

The specified SUB character should not appear elsewhere in the data stream, so, it should be nongraphic.

Input format control for ISC (DPM-Bn) subsystems

Use the major input message formatting functions of MFS with ISC nodes.

You can use the following DPAGE selection options to format messages and create a message from multiple DPAGES.

Input DPAGE selection

The OPTIONS=(DNM) parameter on the DIV statement allows for DPAGE selection using data structure name (DSN).

If more than one DPAGE is defined, a DPAGE label must be specified in every DPAGE. If no DPAGE is selected, the message is rejected and an error message is sent to the other subsystem.

If OPTIONS=NODNM and multiple DPAGES are defined, a conditional test is performed on the first input record. The results of the test (matching the COND= specification with the data) determines which DPAGE is selected for input data formatting. If the condition is not satisfied and all defined DPAGES are conditional, the input message is rejected and an error message is sent to the other subsystem.

Single transmission chain

For single transmission chains, DPAGES can be selected using conditional data.

DPAGE selection using conditional data

For multiple DPAGE input with single transmission chain, use the OPTIONS=NODNM parameter. The data in the first input record is used to select the first (or only) DPAGE for formatting. If the data supplied does not match any COND= defined, the last defined DPAGE is selected if the COND= is not specified for this DPAGE. If the condition is not satisfied and all defined DPAGES are conditional, the input message is rejected and an error message is sent to the other subsystem. If the DSN is supplied in the DD header, it is ignored. For any additional DPAGE (more data supplied than defined for the DPAGE selected), the data in the subsequent record is used to select the next DPAGE for formatting.

Multiple transmission chains

For multiple transmission chains, DPAGEs can be selected using DSN or by using a conditional test.

DPAGE selection using DSN

For multiple DPAGE input with multiple transmission chains, use the `OPTIONS=DNM` parameter. The DSN supplied in the DD header with each chain of the message is used to select the DPAGE for formatting. If no match is found, the message is rejected and an error message (DFS2113) is sent to the other subsystem.

DPAGE selection using conditional test on the data

If DSN is supplied in the DD header with each chain (or any chain) of the message and `OPTIONS=NODNM` is specified on the DIV statement, the DSN is ignored. The data in the first record of each chain is used to select the DPAGE for formatting. If no condition is satisfied and the last defined DPAGE is unconditional (that is, `COND=` parameter is not specified), this DPAGE is selected for formatting. If the condition is not satisfied and all defined DPAGEs are conditional, the input message is rejected and an error message is sent to the other subsystem.

How conditional and unconditional DPAGEs are specified depends on whether `OPTIONS=DNM` or `OPTIONS=NODNM` is specified.

- For `OPTIONS=DNM`, conditional is specified with a label in the DPAGE statement.
- For `OPTIONS=NODNM`:
 - To specify conditional, specify the `COND=` keyword on the DPAGE statement.
 - To specify unconditional, omit the `COND=` keyword.

MFS supports two input modes: record and stream.

Record mode

In record mode, one record presented to MFS by the ATTACH manager corresponds to one record defined to MFS. Records and fields defined for each record are processed sequentially. Fields must not be split across record boundaries. The data for fields defined in a record must be present in this record to be considered by MFS. If no data exists for fields defined at the end of the record, a short record can be presented to MFS. If the data for a field not at the end of the record is less than the length defined for the corresponding DFLD, or if no data exists for the field, then a field tab separator character must be inserted to show omission or truncation. If no data exists for the entire record, a null or a 1-byte record (containing a single FTAB character) must be present if additional data records follow it. The record can be omitted:

- At the end of the DPAGE for single DPAGE input.
- At end of the DPAGE for multiple DPAGE input with multiple transmission chains.
- At the end of the last DPAGE for multiple DPAGE input with a single transmission chain. The record cannot be eliminated from the DPAGE if data for another DPAGE follows.

Stream mode

In stream mode, record boundaries are ignored and fields can span record boundaries. Data omitted for fields anywhere in the DPAGE must be indicated by an FTAB.

FTABs are not required for the data omitted to the end of the DPAGE:

- At the end of the DPAGE for single DPAGE input.
- At the end of the DPAGE for multiple DPAGE input with multiple transmission chains.
- At the end of the last DPAGE for multiple DPAGE input with single transmission chain. The FTABs cannot be eliminated from the DPAGE if data for another DPAGE follows.

On input to IMS, the ATTACH manager provides for four deblocking algorithms, `UNDEFINED`, `RU`, `VLVB`, and `CHAINED ASSEMBLY`, which specify the following:

- UNDEFINED or RU specify that one RU is equal to one MFS record processed. IMS TM defaults to the RU algorithm when UNDEFINED is specified in the ATTACH FM header.
- VLVB specifies that one VLVB record is equal to one MFS record processed.
- CHAINED ASSEMBLY specifies that one input chain is equal to a single MFS record processed for the entire DPAGE.

For MFS RECORD mode, use the VLVB deblocking algorithm. For MFS RECORD mode, do not use:

- CHAINED ASSEMBLY, because the entire input chain would be processed as a single MFS record.
- UNDEFINED or RU, because MFS record definitions would be dependent on the size of the RUs.

For the MFS STREAM mode, all deblocking options can be used. In most cases the UNDEFINED and RU algorithms use less buffer space.

Paging requests

Use the FM headers for entering paging requests when using ISC.

Related concepts

[“Input message formatting” on page 461](#)

Use the following information to format your MFS input messages.

Output message formatting

IMS supports the following MFS output message formatting, physical and logical paging, and requirements for output devices.

Output messages accepted by MFS

Whether an output message is processed by IMS TM basic edit or MFS depends on the device type, the device definition, and the message being processed.

Output messages to SLU 2 and 3270 devices are processed by MFS, unless bypassed by the application program.

Output messages to a 3770, Finance workstation, SLU 1, NTO, SLU P, or ISC subsystem are processed by MFS, if these devices are defined during IMS TM system definition to operate with MFS.

Even when a device is defined to operate with MFS, MFS does not process an output message unless a MOD name was specified by the application program, the MID associated with the previous input message, or the /FORMAT command. Also, message switches from other MFS devices are processed by MFS if the message has an associated MOD.

If you attempt to access a transaction that is to be changed or deleted when the online change utility is run, and you do this after the online change command /MODIFY PREPARE has been issued but before /MODIFY COMMIT has been issued, you receive an error message.

Related reference

[/MODIFY command \(Commands\)](#)

How MFS formats output messages

Output messages processed by MFS are formatted based on the contents of two MFS control blocks: the message output descriptor (MOD) and the device output format (DOF).

The MOD defines output message content and, optionally, literal data to be considered part of the output message. Message fields (MFLDs) refer to device field locations through the device field (DFLD) definitions in the DOF. The device output format (DOF) specifies the use of hardware features, device field locations and attributes, and constant data considered part of the format.

Output message formatting options

MFS provides three message formatting options for output data. The option selected determines how the data is formatted and governs the way in which the application program builds the output message.

Option 1, 2, or 3 is specified in the OPT= operand of the MOD MSG statement.

Segments inserted by the application program must be in the sequence defined to the MFS Language utility program. Not all segments in a logical page must be present, but be careful when you omit segments. An option 1 or 2 segment can be omitted if all subsequent segments to the end of the logical page are omitted; otherwise, a null segment (X'3F') must be inserted to indicate segment position. Option 3 output message segments must include a 2-byte relative segment number.

Message fields in option 1 and 2 output segments are defined as fixed-length and fixed position. Fields can be truncated or omitted by two methods:

- One method is by inserting a short segment.
- The other method is by placing a NULL character (X'3F') in the field. Fields are scanned left to right for a null character; the first null encountered terminates the field. If the first character of a field is a null character, the field is effectively omitted, depending on the fill character used. Positioning of all fields in the segment remains the same regardless of null characters. Fields truncated or omitted are padded as defined to the MFS Language utility.

Message fields in option 3 segments can be placed in any order and with any length that conforms to the segment size restriction. Short fields or omitted fields are padded as defined to the MFS Language utility. Each field must be preceded by a 4-byte field prefix of the same format provided by MFS for option 3 input fields.

While option 3 fields do not have to be in sequence in the output segment, all fields must be contiguous in the segment; that is, the field prefix of the second field must begin in the byte beyond the first field's data. Null characters in option 3 fields have no effect on the data transmitted to the device. Like other nongraphic characters, they are replaced with a blank.

Restriction: Device control characters are invalid in output message fields under MFS. For 3270 display and SLU 2 terminals, the control characters HT, CR, LF, NL, and BS are changed to null characters (X'00'). For other devices, these characters are changed to blanks (X'40'.) All other nongraphic characters (X'00' through X'3F' and X'FF') are changed to blanks before transmission, with the exception of the shift out/shift in (SO/SI) characters (X'0E' and X'0F') for EGCS capable devices. (The SO/SI characters are translated to blanks only for straight DBCS fields.) An exception is allowed for SLU P (DPM-An) remote programs and ISC (DPM-Bn) subsystems, for which GRAPHIC=NO can be specified on output. If nongraphic data is allowed through this specification, the null (X'3F') cannot be used to truncate segments in options 1 and 2.

Option 1 or 2—output segment example

Definition	Output data length
Segment	
Field, length=10	4
Field, length=20	field omitted
Field, length=5	5
Field, length=15	15

The segment shown produces the following results:

CONTENTS	54 0 0	DATA 1 *	*	DATA 3	DATA 4

LENGTH	2 1 1 4	1 5 20	5	15	

Option 3—output segment example

An option 3 segment that produces the same result appears as follows (the * represents a null (X'3F') character):

```
CONTENTS |42|0|0|04|08|04| DATA 1|09|34| DATA 3 |19|39| DATA 4|
-----
LENGTH   2  1  1  2  2  2  4      2  2  5      2  2  15
```

Related concepts

[“Input message formatting” on page 461](#)

Use the following information to format your MFS input messages.

Related reference

[“Field format \(options 1 and 2\)” on page 430](#)

All fields in option 1 and 2 output segments are defined as fixed length and fixed position.

[“Field format \(option 3\)” on page 430](#)

Under option 3 output, fields can be placed in their segments in any order and with any length that conforms to the segment size restriction.

Operator logical paging of output messages

Output messages can be defined to permit operator logical paging (PAGE= operand in the MOD's MSG statement). Use operator logical paging to request a specific logical page of an output message.

Operator logical paging is also available to your written remote program for SLU P (DPM-An) or ISC subsystem (DPM-Bn). The remote program can request IMS to provide a specific logical page of the output message.

Related concepts

[“Paging action at the device” on page 510](#)

The paging operation for an MFS device depends on MFS control block definitions, the output message content, and your input. If the device is a printer, each physical page of each logical page is transmitted to the device in sequence and the message is dequeued.

[“Your control of MFS” on page 508](#)

IMS provides MFS facilities that can assist you, or allow a remote program to control the display or transmission of output messages.

Physical paging of output messages

A logical page can be defined to consist of one or more physical pages. Physical paging allows data from a logical page to be displayed in several physical pages on the device. Physical page assignments are made in the format definition. For display devices, the size of a physical page is defined by the screen capacity (the number of lines and columns that can be referred to). For most printer devices, a physical page is defined by the user-specified page length (number of lines) and the printer's line length.

For SLU P (DPM-An) or ISC subsystems (DPM-Bn), a physical page is defined by the user-specified paging option and the DPAGE or PPAGE statement specifying device pages or presentation pages. Physical paging allows data from a message to be transmitted to the remote program or subsystem in several presentation pages or logical pages.

Typically, a logical page has just one physical page. Multiple physical pages per logical page are generally only used when the logical page is designed for a large screen but is also to be displayed on a small screen device. The physical pages can have a totally different format from the pages defined for the large screen device. The following figure illustrates the use of physical paging with a message that creates one physical page on a 3277 model 2 or on a 3276/3278 with 24×80 screen size.

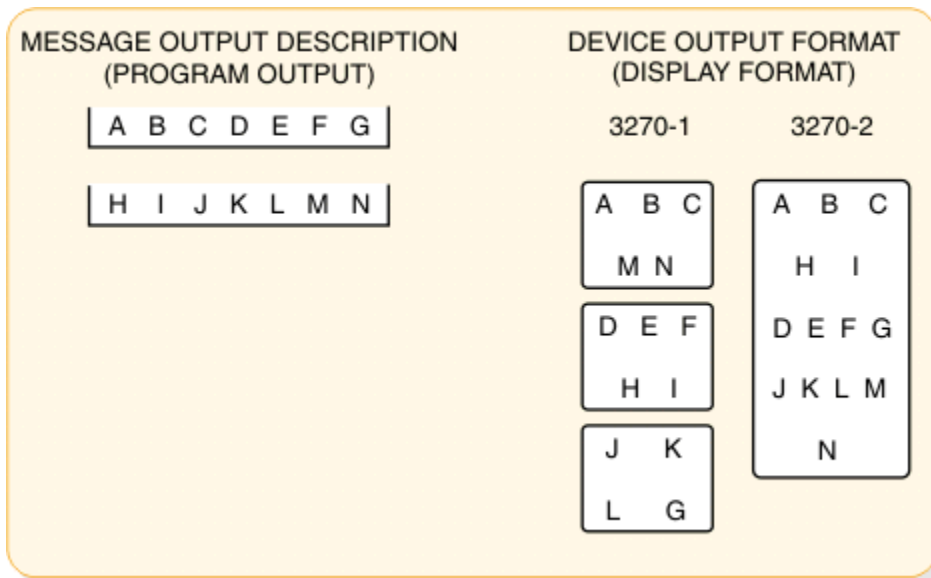


Figure 31. Physical paging for 3270 or SLU 2

Related concepts

[“Multiple physical page input messages \(3270 and SLU 2 display devices\)” on page 479](#)

Specifying multiple physical page input for 3270 and SLU 2 display devices allows creation of identical input messages for a transaction regardless of the physical capacity of the device being used.

Fill characters for output device fields

MFS uses fill characters to pad output device fields when the length of the data received from the application program is less than the specified length or no data for the field is received.

A fill character is defined in the message definition (MSG statement), the format definition (DPAGE statement), or both. If a fill character is specified in both, the fill character specified in the DPAGE is used. If FILL=NONE is specified in the DPAGE statement, the fill character from the MSG statement is used. The fill character specified in the MSG statement is used for all nonliteral fields defined in the DOF, not just those defined by MFLDs in the MOD. Using a fill character tailored to the device type generally improves message presentation and device performance. You can select the following fill characters on a DPAGE statement:

- Blank (X'40')
- Blank (C' ')
- Any hexadecimal EBCDIC graphic character (X'hh')
- An EBCDIC graphic character (C'c')

You can select the following characters on a MSG statement:

- Blank (C' ')
- EBCDIC graphic character (C'c')

For the 3270 or SLU 2 display, the EBCDIC graphic fill character fills in any fields or partial fields on the formatted display that do not receive any data or only partial data. This erases information remaining on the display from the previous message, however, using the fill character increases transmission time.

Null fill can be specified, in which case fields are not filled on the 3270 or SLU 2 formatted screen (and data from the previous message that is not updated by the current message is still displayed). For devices other than 3270 or SLU 2 display, compacted lines are produced when message data does not fill device fields. Using null fill for 3270 or SLU 2 display devices reduces transmission time, but might result in confusion if a partial field does not cover all the data remaining from a previous display. Using null fill for other devices causes additional processing in the IMS control region but reduces transmission and printing time.

For 3270 or SLU 2 formatted screen, a program tab function can be requested that erases any data remaining in a device field after new data for this field has been displayed, but does not produce any fill characters. With program tab fill, display fields on a formatted screen are not cleared unless new data is transmitted to them.

When the program sends only a few of the output data fields, the unwanted display of leftover data in unprotected fields can be prevented by specifying the "erase all unprotected" function in the system control area (SCA).

For 3270 output when EGCS fields are present, specify only FILL=PT or FILL=NULL on the DPAGE or MSG statement. Any other specification can result in the device rejecting the message.

Related concepts

["System control area \(SCA\) and default SCA \(DSCA\)" on page 486](#)

The system control area (SCA) is the means by which specific device operations are requested when an output message is sent to the device.

Related reference

["Input message formatting options" on page 463](#)

MFS supports three message formatting options. The option selected determines how MFS interprets the MID definition and thereby formats the data into message fields for presentation to the application program.

System control area (SCA) and default SCA (DSCA)

The system control area (SCA) is the means by which specific device operations are requested when an output message is sent to the device.

These device requests can be defined in the message field (using the SCA) or in the device format definition (using the default SCA, or DSCA). An SCA is defined as a message field. The IMS application program can use the SCA to specify device operations to be performed when output is sent to a terminal device.

The 3270 and SLU 2 functions that can be requested are:

- Force format write.
- Erase unprotected fields before write.
- Erase all partitions before sending message.
- Sound device alarm.
- Unprotect screen for this message.
- Copy output to candidate printer.

For 3270 and SLU 2 devices, MFS interprets the IMS application program information and performs the specified operations.

A "sound device alarm" can be requested for output to an FIN workstation in the SCA; in this case, MFS in turn specifies "device alarm" in the header of the output message sent to the FIN workstation.

For an SLU P (DPM-An) or ISC subsystem (DPM-Bn), all the functions allowed for the 3270 and FIN can be specified by the IMS application program in a message field defined as an SCA. Define a device field (DFLD statement) as an SCA in the DOF. For the SLU P remote programs or ISC subsystems, MFS does not interpret the specifications from IMS. MFS only relays the specifications in the user-defined device field SCA that it sends to the remote program or ISC subsystem.

For devices other than 3270, SLU 2, FIN, SLU P, and ISC, the SCA is ignored.

For all devices that can have SCAs, a default system control area (DSCA) can also be defined in the DOF (in the DEV statement) in which the same kinds of functions can be specified. Whenever the DOF DSCA is used, the functions are performed if appropriate for the destination device. DSCA-specified functions are performed regardless of whether an SCA field is provided. If DSCA and SCA requests conflict, only the DSCA function is performed. Any invalid flag settings in the DSCA specifications are reset, and only the valid settings are used.

For SLU P remote programs, DSCA information can similarly override SCA specifications. The SCA or DSCA information is not interpreted by MFS but is transmitted to the remote program in the device field defined as an SCA.

IMS application programs that control output through specifications in the SCA can be device-dependent.

Related concepts

[“Fill characters for output device fields” on page 485](#)

MFS uses fill characters to pad output device fields when the length of the data received from the application program is less than the specified length or no data for the field is received.

[“3270 or SLU 2 screen formatting” on page 411](#)

MFS is designed to transmit only required data to and from the 3270 display device. Device orders to establish fields and display literals can cause significant transmission time, because there can be more orders and literal data than program data.

Output message literal fields

Output message fields can be defined to contain literal data you specified during definition of the MOD. MFS includes the specified literal in the output message before sending the message to the device.

You can define your own literal field, select a literal from a number of literals provided by MFS, or both. The MFS-provided literals are called *system literals*, and include:

- Various date formats
- The time stamp
- The output message sequence number
- The logical terminal name
- The number of the logical page
- The queue number of the message waiting

Related concepts

[“Extended Graphic Character Set \(EGCS\)” on page 489](#)

Extended Graphic Character Sets (EGCS) extend the number of graphic characters beyond the limit available using EBCDIC. This is an extension of the programmed symbol feature. The programmed symbol is an optional feature on the IBM 3270 Information Display Station and SCS1 printers that store and use the additional character sets.

Related reference

[MFLD statement \(System Utilities\)](#)

Output device field attributes

Device field attributes are defined in the DOF's DFLD statement. For 3270 display devices, specific attributes can be defined in the ATTR= keyword or EATTR= keyword of the DFLD statement, or default attributes are assumed.

For 3270 printers, 3770 terminals, and 3601 workstations, attribute simulation can be defined by specifying ATTR=YES or ATTR=*nn* in the DFLD statement. The message field definition corresponding to the device field can specify that the application program can dynamically modify, replace, or simulate device field attributes.

Extended field attributes for output devices

Extended field attributes apply to 3270 display devices and to printers defined as 3270P or SCS1, that support the 3270 Structured Field and Attribute Processing option.

These attributes also apply to 3270P or SCS1 printers that support the Extended Graphics Character Set (EGCS) if field outlining or DBCS operation is desired. These extended field attributes provide additional field attribute definition beyond that provided in the existing 3270 field attribute. They are associated with a field of characters just as the existing 3270 field attributes are, but they do not take up display positions in the characters buffer. They can define such field characteristics as:

- Color (seven-color models only)

- Highlighting
- Programmed Symbols (PS)
- Validation
- Field outlining
- Input control of mixed DBCS/EBCDIC data

Extended field attributes are defined in the EATTR= keyword of the DFLD statement. They can be dynamically modified by specifying ATTR=nn on the ATTR=YES or ATTR=nn. corresponding MFLD statement.

Any combination of existing and extended field attributes (except protect and validate) can be transmitted in one display output stream.

When dynamic attribute modification (ATTR=YES) is specified for a device field with predefined attributes, an attribute is sent to the device for that field in every output operation, even if the data for this device field is not included in the output message.

These attributes are used:

- If the output message field has an attribute and the attribute is valid, then the dynamic attribute modification is performed.
- If the message field is not included in the LPAGE being used or the attribute is not valid, the predefined attribute for the device field is used.

The default attributes for nonliteral 3270 display device fields are:

- Alphabetic
- Not protected
- Normal display intensity
- Not modified

The default attributes for literal display device fields are:

- Numeric
- Normal display intensity

The forced attributes for literal display device fields are:

- Protected
- Not modified

Attribute simulation can be defined for non-3270 display devices but these attributes are applied only when requested by an application program. The device field definition reserves the first byte of the field for attribute data. If the application program then specifies an attribute request, that request is represented in the first byte of the device field.

Field attributes that can be simulated are:

**Attribute
Action Taken**

High-intensity display

An asterisk (*) is placed in the first byte

Modified field

An underscore character (_) is placed in the first byte

High-intensity and modified field

An exclamation point (!) is placed in the first byte

No display

No data is sent regardless of other attributes, except for DPM

Cursor position for the 3604 can also be specified as a simulated attribute.

If a field is defined to receive simulated attribute data but none is provided by the application program, the first byte is a blank.

For an application program to modify, replace, or simulate attribute data, the message field definition must specify ATTR=YES or ATTR=nn. When attributes are defined this way, the first bytes of the output message field are reserved for attribute data. Any error in the specification causes the DFLD ATTR= or EATTR= specification for that attribute byte to be used, although other attribute or extended attribute specifications are processed.

For DPM devices, fields can be defined to receive attribute data, extended attribute data, or both, from the IMS application program by specifying ATTR=YES or ATTR=nn on the DFLD statement corresponding to the MFLD definition with ATTR=YES or ATTR=nn. The 3270 attributes from the IMS application program can either be converted to simulated attributes and placed in the first byte of the device field or placed unchanged (2 binary bytes as received from the IMS application program) in the first 2 bytes of the device field. The decision to send attributes, extended attributes or simulated attributes is made when the device format is defined. If a field is defined to receive attribute data but none is provided by the IMS application program, the first byte contains a blank if attribute simulation was requested, or the first 2 bytes contain binary zeros if binary attributes were requested.

Extended Graphic Character Set (EGCS)

Extended Graphic Character Sets (EGCS) extend the number of graphic characters beyond the limit available using EBCDIC. This is an extension of the programmed symbol feature. The programmed symbol is an optional feature on the IBM 3270 Information Display Station and SCS1 printers that store and use the additional character sets.

Where DBCS or DBCS/EBCDIC mixed fields are discussed in context with 3270 displays or SCS1 printer devices, it is assumed that these devices are capable of handling DBCS data. Such devices include, for example, the 5550, supported as a 3270 display, and the 5553 and 5557, supported as SCS1 printers.

Definition: The *Double Byte Character Set* (DBCS) is a subset of EGCS. In it, each graphic character is represented by 2 bytes. The valid code range is X'4040' or X'41' through X'FE' for byte 1, and X'41' through X'FE' for byte 2.

An EGCS field is defined by the EATTR= parameter on the DFLD statement for 3270 displays or SCS1 device types.

All EGCS literals are in the form G'SO XX XX SI', where SO (shift out)=X'0E' and SI (shift in)=X'0F'.

For SCS1 device types, EGCS is specified as a pair of control characters framing the data in the form of: G'SO XX XX XX SI'. The framing characters SO (shift out) and SI (shift in) are not actual characters, but are 1-byte codes: X'0E' or X'0F'.

EGCS literals must be specified as an even number of characters; otherwise, a warning message is issued. All characters (X'00' through X'FF') are valid in an EGCS literal; however, a warning message is issued for all characters not within the range of defined graphics, X'40' through X'FE'.

Restriction: An EGCS literal cannot be equated using the EQU statement if a hexadecimal value within the literal is an X'7D', which is equivalent to a quote character.

For the MFS Language utility to recognize an EGCS literal, observe the following restrictions when defining the EGCS literal:

- SO and SI characters cannot be defined as alphabetic characters using the ALPHA statement.
- The three characters G'SO (SO is a single character) must not span continuation lines as input to the MFS Language utility, but must appear on the same line. The same is true for the two characters SI'.

An EGCS literal can be continued on the next line. An SI character can be coded in column 70, 71, or 72 to terminate EGCS data and is not included in the literal. If an SI is in column 70, the data in column 71 is ignored, except when it is a single quotation mark. On continuation lines for literals, an SO character is not required but can be used, if it is placed in column 15. (This indicates the beginning of EGCS data and is not included in the literal).

Restriction: IMS does not support a 2-byte fill function, inbound or outbound. For outbound data, the MFS fill function is at the message level. To avoid MFS insertion of RA (Repeat to Address) orders for EGCS

fields that contain no data or are omitted in the output message, FILL=PT (the default) or FILL=NULL must be specified.

The MFS Language utility uses SO and SI characters in its output listing only for the initial input statement and for error messages that display EGCS literals from the input record. EGCS literals that are a part of the device image map are displayed as a series of Gs. Additional utility output that is created by using the EXEC PARM= operands DIAGNOSTIC, COMPOSITE, and SUBSTITUTE, and that contains EGCS literals, does not have the G, SO, and SI characters inserted. Only the data between the SO and SI characters is included.

You must define the screen location (row and column) where the field is to be displayed. This includes any screen placement constraints imposed by a particular product implementation. Warning messages are issued when:

- The DFLD attribute is EGCS and the field position parameter does not specify an odd column number (3270 only)
- An EGCS literal is not specified as an even number of characters
- The DFLD length is not specified as an even number

When defining an EGCS field for a 3283 Model 52, you must ensure that the length specified is an even number and, if an EGCS field spans device lines, specify WIDTH= and POS= so that an even number of print positions are reserved on each of the device lines.

Related concepts

[“Output message literal fields” on page 487](#)

Output message fields can be defined to contain literal data you specified during definition of the MOD. MFS includes the specified literal in the output message before sending the message to the device.

Mixed DBCS/EBCDIC fields

The Double Byte Character Set (DBCS) is a graphic character set in which each character is represented by 2 bytes. It is a subset of the Extended Graphic Character Set (EGCS). DBCS is used to represent some Asian languages, such as Chinese, Japanese, and Korean; because each of these written languages consists of more than 256 characters that can be represented by one byte. As with EGCS, this representation is accomplished by an extension of the programmed symbol feature.

Because DBCS is a subset of EGCS, DBCS fields are specified using EGCS keywords and parameters and are treated by MFS in much the same way as EGCS data. However, DBCS data can be used in two field types, a DBCS field and a DBCS/EBCDIC mixed field. The DBCS field accepts only DBCS data and no special control characters are needed with this type of field. (The valid code range of DBCS data is X'4040', or X'41' through X'FE' for both bytes.) But, in a mixed field, where DBCS data is *mixed* with EBCDIC data, the DBCS data must be enclosed by SO (shift out) and SI (shift in) control characters.

Using DBCS requires display and printer devices capable of handling DBCS data. One such group of devices is the 5550 Family (as 3270); however, other 3270 DBCS devices are available.

Mixed DBCS and EBCDIC fields

When DBCS data is enclosed by SO/SI characters, a mixed field on a 3270 DBCS device accepts both EBCDIC and DBCS data. Such a mixed field can contain multiple DBCS data entries enclosed by SO/SI control characters.

The DBCS data should always be enclosed by SO/SI control characters for both inbound and outbound data to a 3270 display. However, if the data is inbound, the control characters are automatically created by the terminal. To explicitly specify DBCS/EBCDIC mixed fields, use the keywords MIX and MIXS on the EATTR= parameter of the DFLD statement.

For example, the following figure shows the case of a DBCS/EBCDIC mixed field.

The DBCS/EBCDIC mixed data shown in the following figure consists of the following 16 characters:

- EBCDIC data 'ABCD' and 'EF' (6 bytes)
- DBCS data 'GGGG' and 'GG' (6 bytes)

- Two sets of SO/SI control characters (4 bytes)

The SO control character is represented by X'0E' and the SI control character is represented by X'0F'.

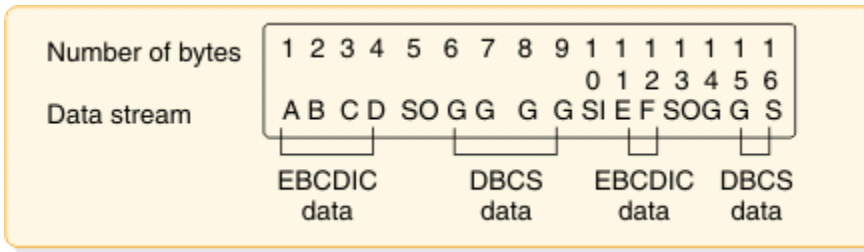


Figure 32. DBCS/EBCDIC mixed data

When DBCS is used, MFS sends the data directly to the 3270 display but performs SO/SI blank print processing before sending it to the SCS1 printer. The SO/SI control characters for 3270 displays and SCS1 printers are treated as follows:

- On 3270 displays, an SO or SI control character takes up one position on the display and appears as a blank.
- On SCS1 printers:
 - If EATTR=MIXS is specified, an SO or SI control character does not take up a position on the listing. To prevent insertion of blanks, specify EATTR=MIXS (SO/SI blank print suppress option).
 - If EATTR=MIX is specified, the SO/SI blank print option inserts a blank before an SI control character and after an SI control character in a mixed data field. Specifying MIX results in identical 3270 display output and SCS1 printer output.

The length of the mixed data containing SO/SI in the application program is different from the length of the same data on the printed output.

The length of the DBCS/EBCDIC mixed data shown in the previous figure is 16 bytes in the application program. If the string is sent to a field specified with DFLD EATTR=MIX, the data is printed as a 16-byte string. However, if sent to a field specified as DFLD EATTR=MIXS, the data is printed as a 12-byte string (4 bytes of SO/SI control characters are suppressed). The length attributes of the DFLDs are LTH=16 and LTH=12, respectively.

SO/SI control character processing

For 3270 displays, DBCS data enclosed by SO/SI control characters can be included as part of an existing EBCDIC field. When DBCS data is mixed in an existing EBCDIC field, the IMS application program must check that correct DBCS data is placed in the 3270 display field. DBCS data within an EBCDIC field is correct when the following conditions are met:

- The length of DBCS characters is an even number of bytes.
- There are no unpaired SO or SI control characters.

When MIX or MIXS is specified on the DFLD statement, MFS checks these conditions, aligns the DBCS data enclosed by SO/SI control characters, and corrects invalid SO/SI control characters.

DBCS/EBCDIC mixed literals

DBCS/EBCDIC mixed literals can be specified as DFLD/MFLD literals, as shown in the following code example.

```
literal format: ' .....SO___SI..SO__SI'
DFLD
'literal'
MFLD
,'literal'
```

```
,(dlfdname,'literal')
```

The DBCS data in a DBCS/EBCDIC mixed literal is expressed as a series of Gs in the device image map in the MFS listing.

When the MFS Language utility specifies a DFLD/MFLD literal containing DBCS/EBCDIC mixed data within an EBCDIC field without specifying EATTR=, a check for mixed field is performed for both 3270 display and SCS1 printer output. A DBCS/EBCDIC mixed field attribute with EATTR=MIX is assigned for SCS1 only. The LTH parameter is ignored even if specified. As a result, the field length is the same as the length of the literal.

The following table shows the processing performed by the IMS MFS Language utility for SO/SI control characters within a DBCS/EBCDIC mixed field. The Device and Field are listed, followed by the DFLD/MFLD output literal, and the MFLD input literal.

Table 138. SO/SI processing performed by IMS MFS language utility

Device, Field	DFLD/MFLD Output Literal	MFLD Input Literal
3270 display, DBCS/EBCDIC mixed field	<ul style="list-style-type: none">• Check SO/SI pairing.• Check even length.• Adjust boundary alignment (with warning message).	SO/SI checking not done
SCS1 printer, DBCS/EBCDIC mixed field	<ul style="list-style-type: none">• Check SO/SI pairing.• Check even length.• Perform SO/SI correction and boundary adjustment according to SO/SI blank print option.	Not applicable

The following table shows the processing performed by the MFS message editor on SO/SI control characters within a DBCS/EBCDIC field. The Device and Field are listed, followed by the outbound data fields and the inbound data fields.

Table 139. SO/SI processing performed by MFS message editor

Device, Field	Outbound Data Fields	Inbound Data Fields
3270 display, DBCS/EBCDIC mixed field	<ul style="list-style-type: none">• Check SO/SI pairing.• Check even length.• Adjust boundary alignment.	SO/SI checking not done
SCS1 printer, DBCS/EBCDIC mixed field	<ul style="list-style-type: none">• Check SO/SI pairing.• Check even length.• Perform SO/SI correction and boundary alignment according to SO/SI blank print option.	Not applicable

Continuation rules for DBCS/EBCDIC mixed literals

The continuation rules for mixed literals are the same as the continuation rules for EGCS literals. The continuation rules are as follows:

- An EGCS literal can be continued on the next line.

If the length of DBCS data within a DBCS/EBCDIC field is odd, the odd SI position is moved one byte to the left and the rest of the field is padded with blanks.

Input control and DBCS/EBCDIC mixed field (3270 display)

When sending DBCS/EBCDIC data to a DBCS/EBCDIC field, MFS checks for SO/SI pairs and even length and performs SO/SI correction and boundary adjustment if necessary. In this way, the DBCS/EBCDIC field appears correctly on the 3270 display screen or SCS1 printer output.

When receiving DBCS/EBCDIC data from a mixed field, MFS passes the data as is. This is because SO/SI pairing and even length are always ensured when using the 3270 display.

However, when sending DBCS/EBCDIC data to a DBCS/EBCDIC field and receiving user-entered DBCS/EBCDIC data from the same field, the application program must account for changes in the data. When receiving user-entered DBCS data, the 3270 display builds the data and SO/SI control characters and then truncates or realigns the data to assure SO/SI pairing and even length. The IMS application program must take this into account when using a part of the send data as receive data.

DBCS/EBCDIC mixed field and horizontal tab (SCS1 printer)

When using an online horizontal tab setting, tabs are not set within a DBCS/EBCDIC field. This is because it is not possible to determine beforehand whether the actual position of the DBCS data within a mixed field is on an odd or even boundary.

Field outlining

This function is used for user-defined 3270 display and SCS1 printer fields.

Field outlines are referred to as OVER, UNDER, LEFT, and RIGHT lines and they can be specified independently or in any combination.

The area at the left and right ends of the field shown in the following figure are:

- For 3270 displays, 3270 basic attribute bytes. The left attribute byte describes the first field; the right attribute byte describes the following field.
- For SCS1 printers, left and right blanks, reserved for the user-defined field by MFS.

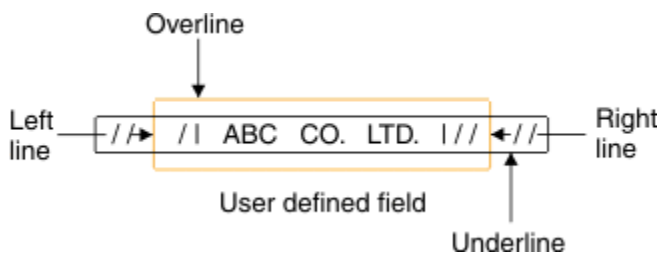


Figure 33. User field and field outlining

Connecting field outlines and joining fields

You can outline multiple fields jointly as shown in the following figure.

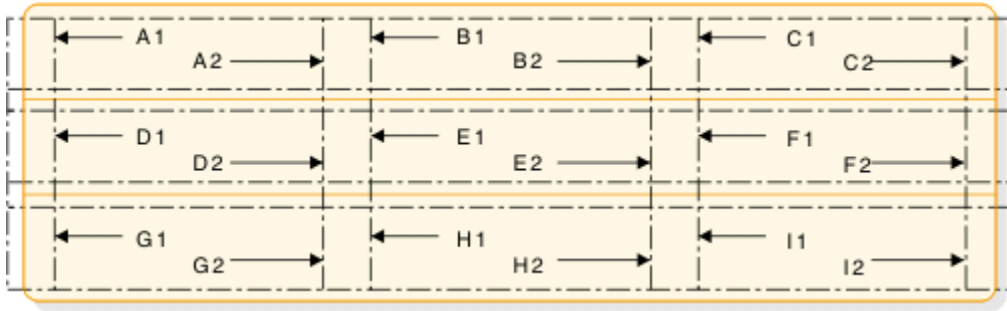


Figure 34. Field outlining when connecting user fields

The previous figure consists of nine logical fields. A1, B1, ... I1 are fields defined for the 3270 display and A2, B2, ... I2 are fields defined for the SCS1 printer. Note that for 3270 displays, 3270 basic attribute bytes are placed between fields. For SCS1 printers, the fields are connected without losing any print positions and the field outlines are connected. The outline specification for each field in the previous figure is shown in the following table.

Table 140. Outline specification for each field

Fields	LEFT	RIGHT	OVER	UNDER
A1, A2	X		X	
B1, B2			X	
C1, C2		X	X	
D1, D2	X		X	
E1, E2			X	
F1, F2		X	X	
G1, G2	X		X	X
H1, H2			X	X
I1, I2		X	X	X

You need to define only the message field for 3270 displays in your IMS application program to produce the same output on displays and printers.

When field outlining is specified for an SCS1 printer, the MFS Language utility attempts to reserve 1 byte for the left and right lines, but if adjacent fields cannot be reserved, a warning message is issued.

Cursor positioning

On 3270, 3604, or SLU 2 display devices, the cursor is positioned by its line and column position on a physical page. When a specific cursor position is always required (and device-dependence is not an issue), you can define cursor position in the DPAGE statement.

The DPAGE statement can also be defined so that cursor position is known to the application program on input and is specified dynamically by the application program on output. To dynamically define cursor position on output, specify a device field name along with its line and column position. If this field is then referred to by a MID MFLD statement, the cursor position is provided in that message field on message input. If the message field is referred to in a MOD MFLD statement, the message field can be used by the application program to specify cursor position on output.

The application program cursor position request is used if its specified size is within the line and column specifications of the SIZE= operand of the TERMINAL macro for device type 3270-An; or within the line and column boundaries of 3270, model 1 or 2. Otherwise, the line and column positions specified on the DPAGE statement or the default positions (line 1, column 2) are used.

Related reading: For a description of the TERMINAL macro, see *IMS Version 15.5 System Definition*.

The option of providing cursor location on input is available only for 3270 or SLU 2 devices. This method of cursor positioning is not recommended for output, because it requires the application to use a specific device field position, making the application device-dependent. MFS considers cursor position as a device field attribute; the field attribute facility can be used to establish cursor position.

Application programs can dynamically replace, modify, or simulate attributes for a device field whose corresponding message field is defined as ATTR=YES or ATTR=nn. At least the first 2 bytes of a message field defined in this way are reserved for attribute data or extended attribute data provided by the application program.

For a 3290 in partitioned-format mode, the first partition descriptor (PD) statement defined in the partition descriptor block (PDB) is the first partition created. The cursor is placed in this partition, which becomes the active partition unless overridden by the Jump Partition key or by the ACTVPID= keyword in the DPAGE statement associated with a subsequent output message.

Using the Jump Partition key causes the cursor to jump to the next sequential partition defined by the application program and that partition becomes the active one. The ACTVPID= keyword allows the application program to activate and locate the cursor in a specific partition.

Prompt facility

The prompt facility provides a way to automatically notify you if the current page of output is the last page of the message.

The notification text is defined as a literal which MFS inserts into a specified device field when it formats the last logical page of the message. To further assist you, the prompting text can be used to tell you what input is expected next.

Recommendation: For a 3270 or SLU 2 device, the combination of PROMPT and FILL=NULL should be used with care because, once the prompt literal is displayed, it can remain on the screen if your input does not cause reformatting of the screen.

System message field (3270 or SLU 2 display devices)

Output formats for 3270 or SLU 2 display devices can be defined to include a system message field. If defined in this way, all IMS messages except REQUESTED FORMAT BLOCK NOT AVAILABLE are sent to the system message field whenever the device is in formatted mode. Using a system message field or setting byte 1 bit 5 to B'0' in the DSCA specification prevents an IMS message from destroying a screen format.

When MFS sends a message to the system message field, it activates the device alarm (if any) but does not reset modified data tags (MDTs), move the cursor, or change the protect/unprotect status of the display, except in the event of a multi-segment message. In this case, the status is changed to protected, and the enter key must be pressed to view the next segment or segments of the message. Because IMS error messages are an immediate response to MDTs in input, MDTs remain as they were at entry and you must correct the portion of the input that was in error.

After input from an operator identification (OID) card reader, the device is no longer in formatted mode. Therefore, an IMS message is not sent to a SYSMSG field; it is sent using the default system message format. This is also the case after an XRF (Extended Recovery Facility) takeover because the device is no longer in formatted mode.

Printed page format control

The PAGE= keyword of the DEV statement provides much of the formatting control of the format of output messages sent to printer devices.

The WIDTH= keyword provides additional formatting control. In conjunction with the FEAT=(1...10) keyword, WIDTH= provides additional formatting control for printer devices specified as 3270P. (See WIDTH= under the DEV statement for additional information.) The WIDTH= keyword, in conjunction with the HTAB=, VTAB=, VT=, SLDI= and SLDP= keywords, provides additional formatting control for 3770 or SLU 1 printer devices.

Using a PAGE= operand (DEFN, SPACE, FLOAT, or EJECT), with the page depth (the number of lines per page), determines how MFS controls the printing of the output message. These are the PAGE= operands:

DEFN

MFS prints each line as defined by DFLD statements. In this mode, if the first DFLD defined line is greater than 1, the printer position is moved to the first defined line. The printer position is also moved over the blank lines between defined DFLDs. However, MFS does not add blank lines to the bottom of the page of output if the last defined line is less than the page depth. The next page of output begins on the line following the current line of output. The number specified in the PAGE= keyword is used to check the validity of the line specification of the DFLD POS= keyword.

SPACE

This produces the same printing mode as DEFN except that lines are added to the bottom of the page if the last defined line is less than the page depth. The printer is positioned through a series of new lines. This option can be used for devices that do not have the page eject feature so that pages are not grouped together.

FLOAT

This operand is used to request that lines not be printed if they are defined by DFLD statements, or if they contain no data after formatting (all blank or NULL).

EJECT

This operand is specified for FIN, 3770, or SLU 1 printers. The following options can be specified for EJECT (or any combination of these):

BGNPP or ENDPP

MFS ejects the page before (BGNPP) or after (ENDPP) each physical page of the output message.

BGNMSG

MFS ejects the page before any data in the output message is printed.

ENDMSG

MFS ejects the page after all the data in the output message is printed.

MFS does not add lines to or delete lines from the page. EJECT can be specified for FIN, 3770, or SLU 1 printers.

Related concepts

[“Output format control for 3270P printers” on page 499](#)

MFS provides several specifications to control the format of messages to 3270P printer devices.

[“Format control for 3770 and SLU 1 printers” on page 497](#)

MFS provides several specifications to control the format of output messages to 3770 printer devices and SLU 1 (print data set) (DEV TYPE=SCS1).

Format control for 3770 and SLU 1 printers

MFS provides several specifications to control the format of output messages to 3770 printer devices and SLU 1 (print data set) (DEV TYPE=SCS1).

Line width

The WIDTH= keyword of the DEV statement is used to specify the maximum width of a print line, relative to column 1. The specified width is used in place of the physical device line width. Specification of a line width also establishes the right margin of the printed page (relative to column 1). Valid values are less than or equal to the physical device line width. For example, if WIDTH=80 is specified, data can be printed in columns 1 through 80.

Left margin position

The left margin operand of the HTAB= keyword of the DEV statement can be used to specify where MFS should set the left margin for the device before sending an output message. A left margin specification should be made if output fields always start at a column position other than column 1 (the default). For example, if fields are always defined in columns 5 through 80, HTAB=(5) and WIDTH=80 can be specified on the DEV statement.

Horizontal tabbing

The HTAB= keyword of the DEV statement is used to specify where MFS should set horizontal tab stops before sending an output message.

MFS can insert tab control characters into the message to reduce the number of characters transmitted. To control when tab control characters are inserted, specify the ONLINE or OFFLINE operand for the HTAB= keyword. OFFLINE specifies that MFS insert the tab control characters during compilation of the control blocks by the offline MFS Language utility program. ONLINE specifies that MFS insert the control characters during online processing of the message. MFS can only be directed to insert tab control characters into messages that have legitimate fill characters specified (FILL=X'hh' or FILL=C'c' in the DPAGE statement), or use the default fill character, X'40'.

Specify OFFLINE when the message definition always supplies data to most defined device fields, or the fill character is not a blank. Specify ONLINE if some device fields do not receive data, or the data contains blanks. Even though the ONLINE specification increases MFS online processing, it reduces character transmission to the device.

Vertical tabbing

The VT= keyword of the DEV statement is used to specify where MFS should insert vertical tab control characters into the page of the output message. MFS assumes that the vertical tab stops are relative to line 1 and have been set at the device by the specification of the VTAB= keyword or other means prior to message transmission. VT= must be specified if vertical tabbing is required. There are no default values. VT= is invalid if page control specifications direct MFS to delete lines that contain no data after formatting. EJECT BGNMSG or EJECT BGNPP should be specified in conjunction with the VT= keyword to ensure proper alignment at the beginning of a page. A specification of VT= without a suitable EJECT operation defined can result in invalid device formatting.

Top and bottom margins

Top and bottom margins can be specified for printers specified as DEV TYPE=SCS1 by using the VTAB= keyword on the DEV statement. VTAB= is invalid if page control specifications (PAGE=n,FLOAT) direct MFS to delete lines that contain no data after formatting.

When used together, the page depth (PAGE=), vertical tab (VT=), and top and bottom margin (VTAB=) specify a "set vertical format" data stream.

Line density

For printers specified as DEV TYPE=SCS1, the density of lines on an output page can be specified with the SLDx= keyword on the DEV statement, the DFLD statement, or both. Line density can be set in terms of lines per inch or points per inch. If SLDx= is specified on both the DEV and DFLD statements, two SLD data streams are sent, one at the beginning of a message and one within the message, just before the field on which the SLDx specification, was encountered, but after any vertical tabs and new line characters. The SLDx specification within the message changes the line density from that set at the beginning of the message to that specified within the message. The line density specified within the message remains in effect until explicitly reset.

Related concepts

["Printed page format control" on page 496](#)

The PAGE= keyword of the DEV statement provides much of the formatting control of the format of output messages sent to printer devices.

Output format control for 3270P printers

MFS provides several specifications to control the format of messages to 3270P printer devices.

Line width

The WIDTH= keyword of the DEV statement is used to specify the maximum width of a print line relative to column 1. The specified width is used in place of the physical device line width. The default for 3270P printers is 120. When WIDTH= is specified, a feature code from 1 to 10 must also be specified using the FEAT= keyword on the DEV statement.

Related concepts

[“Printed page format control” on page 496](#)

The PAGE= keyword of the DEV statement provides much of the formatting control of the format of output messages sent to printer devices.

Output format control for SLU P DPM-An

For SLU P devices with the DPM-An option, You can use several specifications in MFS to control the format of output messages.

The RCDCTL= operand of the DIV and RCD statements identifies a related group of device field (DFLD) definitions that are within one record, which is usually sent to a remote program as one transmission (that is, if the RCDCTL= value is less than or equal to the value in the OUTBUF= parameter of the system definition TERMINAL macro).

The number of device fields in the record is determined by the length (numeric value) specified in RCDCTL. Device fields can be arranged in records through the RCD statements. The records created can be smaller than the size specified in RCDCTL. The SPAN/NOSPAN parameter determines whether fields are allowed to span record boundaries. All output messages are sent in record mode.

The PPAGE statement identifies a presentation page of a device format and can contain one or more records.

The DPAGE statement defines a logical page of a device format and can contain one or more records.

Paging

The MSG, DPAGE, or PPAGE operands of the OPTIONS= specification of the DIV statement is used to determine how the output message is sent to the remote program.

MSG

This specifies that all the data in the output message is to be transmitted together to the remote program in one chain. This is the default.

After transmitting the message to the remote program, IMS does not transmit another output message if PROGRAM2 has been specified as the media parameter of the COMPTn operand of the system definition TERMINAL macro. An input request is required from the remote program before the next message is sent. If PROGRAM1 is specified, IMS does not wait for an input request, but sends another output message if one is available.

DPAGE

This specifies that all the data in the logical page is to be transmitted together to the remote program in one chain. A paging request is required from the remote program to retrieve the next logical page of the output message.

PPAGE

This specifies that all the data in the presentation page is to be transmitted together to the remote program in one chain. A paging request is required from the remote program to retrieve the next presentation page of the output message.

A paging request can be specified through the input message header or through an operator control table. For OPTIONS=DPAGE or PPAGE, when the last logical or presentation page has been sent to the remote program, IMS MFS action is the same as for 3270 and 3604 devices regardless of PROGRAM1 or PROGRAM2 specification.

Each chain contains an output message header. The DATANAME in the output message header is the format name if OPTIONS=MSG is specified, the current name of the device logical page (DPAGE) if OPTIONS=DPAGE is specified, or the current name of the presentation page if OPTIONS=PPAGE is specified.

The output message header is always present in the first transmission record of the chain. For OPTIONS=MSG, the first transmission record contains only the output message header, and the next transmission begins the data for the message.

For OPTIONS=DPAGE or PPAGE, the data follows the output message header in the first transmission record if either of the following occurs:

- RCDCTL=(,SPAN) is specified, and the RCDCTL length is greater than the output message header length.
- RCDCTL=(,NOSPAN) is specified, the RCDCTL length is greater than the output message header length, and at least the first data field defined in the current DPAGE or PPAGE can be fully contained within the first transmission record.

Output message header

The basic output message header contains the following MFS fields, presented in this sequence:

```
VERSION ID  
MIDNAME  
DATANAME
```

DATANAME is the FMT label for OPTIONS=MSG, the DPAGE label for OPTIONS=DPAGE, and the PPAGE label for OPTIONS=PPAGE.

If a forms literal is specified in the DEV statement, the FORMSNAME field is present in the output message header. For OPTIONS=MSG the FORMSNAME is present in the basic header after the DATANAME. For OPTIONS=DPAGE OR PPAGE, an optional forms output message header precedes the basic output message header. It contains the following fields:

```
MIDNAME  
FORMSNAME
```

The forms header is sent to the remote program as the only element of a chain. A paging request is required after the header has been processed and the remote program is ready to process the first logical or presentation page of an output message.

The length of the output message header can be defined in the HDRCTL= operand of the DIV statement as fixed or variable.

The length of the fixed basic output message header (without FORMSNAME) is 23 bytes for OPTIONS=MSG and 25 bytes for OPTIONS=DPAGE or PPAGE. If FORMSNAME is present, the maximum length of the basic output message header for OPTIONS=MSG is 40 bytes, and the maximum length for OPTIONS=DPAGE or PPAGE is 33 bytes.

- If HDRCTL=FIXED is specified, the MIDNAME and DATANAME fields are always padded with blanks to the maximum definable length: MIDNAME to 8 bytes (if MIDNAME is not supplied, 8 blanks are presented), FMT name to 6 bytes, and DPAGE or PPAGE name to 8 bytes. For this reason, the position of the DATANAME is always at the same displacement in the basic output message header, and the FORMSNAME, if present, is always at the same displacement, following the FMT name if OPTIONS=MSG and following the MIDNAME if OPTIONS=DPAGE or PPAGE.
- If HDRCTL=VARIABLE is specified, neither MIDNAME nor DATANAME is padded. If MIDNAME is less than 8 bytes or is not present, the position of the DATANAME, FORMSNAME, or both within the output message header is variable.

The following table shows the format of the fixed output message header for OPTIONS=MSG.

Table 141. Fixed output message header format for OPTIONS=MSG

Type of Field Type	Base DPM-An Header With Length	Length of MIDNAME Plus 1	Default MIDNAME	Length of Format Name	Data Fields Format Name	Length of Forms Literal Plus 1	FORS= Parameter Literal
FIELD BYTES	BASE 7	L1 1	MIDNAME 8	L2 1	DATANAME 6	L3 1	FORMSNAME (user-coded literal)

BASE

The base DPM-An output header with a length of 7 bytes, including the version ID.

L1

The full length of the MIDNAME plus 1. Contains the value 9.

MIDNAME

Contains the MIDNAME to be used for input. If this name is less than 8 characters, it is padded with blanks to a full 8 bytes. If the MIDNAME is not specified, this field contains 8 blanks.

L2

The full length of the format name (DATANAME) plus 1. Contains the value 7.

DATANAME

The name of the format that was used to format the data fields. If the format name specified is less than 6 characters, it is padded to a full 6 bytes.

L3

Contains the length of the forms literal plus 1. The maximum value is 17.

FORMSNAME

Contains the literal specified in the FORS= parameter of the DEV statement. It can have a length of 1-16 bytes. If FORS= is not specified in the DEV statement, the L3 and FORMSNAME fields are not included in the output message header.

If a variable output message header is specified in the HDRCTL= operand of the DIV statement, the output message header for OPTIONS=MSG will have the same format, but MIDNAME and DATANAME will have trailing blanks omitted and their length fields adjusted accordingly. If MIDNAME is not used, neither the MIDNAME field nor its length is present.

The following table shows the format of the fixed basic output message header (without FORMSNAME) for OPTIONS=DPAGE or PPAGE.

Table 142. Fixed basic output message header (without FORMSNAME) for OPTIONS=DPAGE or PPAGE

Type of Field Type	Base DPM-An Header With Length	Length of MIDNAME Plus 1	Default MIDNAME	Length of Format Name	Data Fields Format Name
FIELD BYTES	BASE 7	L1 1	MIDNAME 8	L2 1	DATANAME 8

BASE

Content is the same as for OPTIONS=MSG.

L1

Content is the same as for OPTIONS=MSG.

MIDNAME

Content is the same as for OPTIONS=MSG.

L2

This is the full length of the DPAGE or PPAGE name (DATANAME plus 1). Contains the value 9.

DATANAME

Contains the name of the DPAGE or PPAGE that was used to format the data fields for the current logical or presentation page. If the DPAGE or PPAGE name specified is less than 8 characters, it is padded with blanks to the full 8 bytes.

The following table shows the format of the optional forms output message header for OPTIONS=DPAGE or PPAGE.

Table 143. Optional forms output message header for OPTIONS=DPAGE or PPAGE

Type of Field Type	Base DPM-An Header With Length	Length of MIDNAME Plus 1	Default MIDNAME	Length of Format Name	Data Fields Format Name
FIELD BYTES	BASE 5	L1 1	MIDNAME 8	L2 1	FORMSNAME (user-coded literal)

BASE

The base of the optional forms output message header does not include a version ID.

L1

Contains the value 9.

MIDNAME

Content is the same as for OPTIONS=MSG.

L3

Contains the length of the coded forms literal plus 1.

FORMSNAME

Contains a user-coded literal, as in the fixed output message header for OPTIONS=MSG.

Naming conventions

Establish naming conventions for formats, device logical pages, and presentation pages (that is, for the labels of the FMT, DPAGE, and PPAGE statements). For example, you can establish conventions for FMT, DPAGE, and PPAGE names that allow the remote program to interpret them in terms of 3790 panels or functional program subroutines. Also standardize DPM-An output message headers.

User-written labels for PPAGE statements must be unique within a format definition. It is recommended that labels also be unique within the IMS system.

If OPTIONS=PPAGE has been selected for a format definition, the PPAGE label is sent as the DATANAME in the output message header. The label should give the remote program information that can be used in deciding how to process the data. When you have not coded a label for a PPAGE, MFS generates a label for it and sends this generated name in the output message header. The MFS-generated names can be used by the remote program, but leaving the label specification up to MFS is not recommended, because the generated name for a given PPAGE can change every time the MFS definitions are recompiled.

Deletion of null characters in DPM output records

See the discussion of FILL=NULL in the DPAGE statement in *IMS Version 15.5 Database Utilities* for a discussion of deletion of null characters in transmission records.

Related reference

[“DIV statement” on page 446](#)

The DIV statement defines device formats within a DIF or DOF. The formats are identified as input, output, or both input and output, and can consist of multiple physical pages. For DEV TYPE=SCS1, SCS2, or

DPM-AN, two DIV statements can be defined: DIV TYPE=OUTPUT and DIV TYPE=INPUT. For all other device types, only one DIV statement per DEV is allowed.

Output format control for ISC (DPM-Bn) subsystems

IMS supports the major output message formatting functions of MFS with ISC nodes.

Format control

For ISC nodes, MFS allows several specifications to control the format of output messages. If OPTIONS=DPAGE or OPTIONS=PPAGE is specified on the DIV statement, MFS sends an output message in multiple logical or presentation pages. Transmission of these pages within the message occurs on demand or automatically when you set byte 1 bit 5 of the system control area (SCA).

Function management (FM) headers

FM headers are headers on output messages that control functions such as paging.

Paged output messages

For DPM-Bn paging support, if OPTIONS=DPAGE or OPTIONS=PPAGE is specified on the DIV statement, MFS sends an output message in multiple logical or presentation pages.

Demand paging

With demand paging, the logical or presentation pages are sent only when a paging request is received from the other subsystem. The initial output for the message contains only the ATTACH FM header. If DIV OPTIONS=DNM is specified, the data structure name (DSN) is also transmitted.

Autopaged output

This option is available message-by-message, based on SCA values. With this facility, the logical or presentation pages are sent immediately, in multiple transmission chains (one transmission chain per page). With this option, the receiver obtains an entire output message in multiple transmission chains. Each transmission chain contains the DSN, if required.

Restriction: Paging requests cannot be entered to control receipt of the message.

If no data exists for variable-length fields of a page within the message, a null data chain can result.

Byte 1 bit 5 in the DSCA= operand of the DEV statement or in the SCA option of the MFLD statement indicates autopaged output.

If PAGE=YES is specified in the corresponding MSG definition and autopaged output is requested, the PAGE=YES specification (operator logical paging) function is reset and the output message is dequeued at the end of the message. Operator logical paging applies only to MFS demand paged output.

Output modes

For output from IMS, the ATTACH manager provides for two blocking algorithms: variable length, variable blocked (VLVB) records and chained Request/Response Unit (RUs, MFS stream mode). Each record presented by MFS to the ATTACH manager is preceded by a length field when sent to the other subsystem. The length field contains the size of the record presented by MFS. The record itself is sent in as many RUs as required. Fields span RU boundaries but do not span record boundaries. The number of VLVB records in the transmission chain and the maximum size of the MFS record depend on the output mode selected and the paging option specified.

In stream mode, the way DFLDs are defined depends on the OPTIONS= keyword used:

- For OPTIONS=MSG (paging is not defined), DFLDs are defined in a DPAGE.
- For OPTIONS=DPAGE (paging is defined), DFLDs are defined in a DPAGE.

- For OPTIONS=PPAGE (paging is defined), DFLDs are defined in a PPAGE.

For all three OPTIONS= keyword settings, All the DFLDs defined in a DPAGE (or PPAGE) are grouped into a single MFS record for transmission, and all the data in one DPAGE (or PPAGE) is equal to one MFS record and equal to one output RU chain. One or more RUs are sent in the single transmission chain of the output message.

If the OFTAB parameter of a DIV or DPAGE statement is defined, contiguous output field tab separator characters are removed and are not sent to the subsystem in the following cases:

- At end of message for OPTIONS=MSG
- At end of DPAGE for OPTIONS=DPAGE
- At end of PPAGE for OPTIONS=PPAGE

In record mode, the DFLDs defined in a DPAGE or PPAGE are grouped into smaller records for transmission. The RCDCTL parameter of the DIV statement is used to define the maximum length of the MFS record created. If the RCDCTL= parameter is not specified, the default value allows for records of up to 256 bytes in length. The RCD statement is used to start a DFLD on a new record boundary.

If the OFTAB parameter is defined, contiguous output field tab separator characters at the end of the record (for omitted fields and possible short last data field) are removed before transmission. If the entire record is thus eliminated and additional data records follow, a 1-byte record containing the single output field tab separator character is sent. The record is eliminated in the following cases:

- At end of message for OPTIONS=MSG
- At end of DPAGE for OPTIONS=DPAGE
- At end of PPAGE for OPTIONS=PPAGE

One or more VLVB records are sent in a single transmission chain of the output message (OPTIONS=MSG) or the page (OPTIONS=DPAGE or PPAGE).

Related reference

[“Device-dependent output information” on page 431](#)

Using certain options for outputting information can make the application program device-dependent. Some options allow the application program to control certain features of devices receiving output. Descriptions of the effects of various output options follow.

FILL=NULL specification

Specify FILL=NULL on the DPAGE or MSG statement and specify the OFTAB= parameter in the DIV or DPAGE statement to preserve field separation. If FILL=NULL is specified on the DPAGE or MSG statement and the OFTAB= parameter is not present on the DIV statement or the DPAGE statement, a compressed output data stream is produced and field separation is not evident.

Use FILL=NULL for graphic data. If GRAPHIC=NO and FILL=NULL are specified in the SEG statement, any X'3F' in the non-graphic data stream is compressed out of the segment and undesirable results can be produced. Send non-graphic data on output as fixed length output fields and do not specify FILL=NULL.

Output message segments and message fields defined for each segment are processed sequentially by MFS if option 1 or 2 is defined in the OPT= operand of the MSG statement. Message fields in option 1 and 2 segments are defined as fixed-length fields and in fixed position. The data for these fields can be supplied as fixed-length fields, or it can be shortened by the application program. The data can be shortened by two methods:

- By inserting a short segment if no data exists for fields defined at the end of a segment.
- By placing a null character (X'3F') in the field. MFS scans segment data left to right for a null character. The first null character encountered terminates the data for a corresponding MFLD. Positioning of all fields in the segment remains the same as the positioning of defined fields regardless of null characters.

Trailing blank compression

Blanks at the end of segments are compressed if all of the following are true.

- OFTAB= is specified on the DIV or DPAGE statement, or if FILL=NULL or FILL=PT.
- GRAPHIC=YES is specified for the segment.
- OPT=1 or OPT=2 is specified in the MSG statement.

Specifying COMPR

You can specify trailing blank compression (COMPR=) as FIXED, SHORT, or ALL.

FIXED

If COMPR=FIXED is specified, MFS removes trailing blanks from fixed-length data fields. The resulting mapping in the DFLD is as if the application program inserted a short data field (by inserting X'3F' in the position after significant data or by inserting a short segment) or omitted the field (by inserting X'3F' in the first position of the field or by inserting a short segment) if the entire field contains blanks.

Fields shortened by an application program are not compressed in the same way as when COMPR=FIXED is specified. This option is provided for application programs that always supply maximum-length fields (such as the NAME field) for simplicity of the application program, and these blanks are not significant to the receiver. The receiver can assume that fields shortened or omitted by the compress option or by the application program have the same meaning.

SHORT

If COMPR=SHORT is specified, MFS removes trailing blanks from the data fields shortened by the application program. The resulting mapping in the DFLD is as if the application program inserted a short field with no trailing blanks or omitted the field. Fixed-length fields do not undergo this compression.

This option is provided for application programs written for the 3270 and without application program changes.

ALL

If COMPR=ALL is specified, the trailing blanks in the fixed-length and short fields are removed.

Trailing blanks in a short field or a single blank short field causes a specific operation on the 3270 (that is, to clear the entire field on the screen for a single blank and insert a program tab character (FILL=PT), or to clear the remaining portion of the updated field and insert one or more null characters (FILL=NULL)).

Saving line transmission time

Line transmission time can be saved by using one of the following methods:

- Specifying COMPR=ALL, which removes the trailing blanks in fixed-length and short fields
- Defining record mode, and defining the fields as occurring at the end of the record

Blank compression on variable-length output

The following code example shows the data entered by the IMS application:

Segment 1:

```
DLZZ FIELD A1 | FIELD A2 | FIELD A3 | FIELD A4 | FIELD C1|FIELD C2
0200 AAAAA44444|1234563...|43.....|A4A4A4
0800      00000|      F | 0F
```

Segment 2:

```
DLZZ FIELD B1 | FIELD B2 | FIELD D1 | FIELD D2 | FIELD D3|FIELD E1
0300 BBBB BBBB|4444444444|DDDDD43.|3.....|D3D3D3D3
0400      |0000000000|      0F |F
```

Note: Both segments entered are shortened by the program.

The following table shows the MFS definitions used in the previous code example.

Table 144. MFS definitions for data entered by IMS application

MSGOUT	MSG	TYPE=OUTPUT, SOR=FMTOUT
	SEG	
	MFLD	A1,LTH=10
	MFLD	A2,LTH=10
	MFLD	A3,LTH=10
	MFLD	A4,LTH=10
	MFLD	C1,LTH=10
	MFLD	C2,LTH=10
	SEG	
	MFLD	B1,LTH=10
	MFLD	B2,LTH=10
	MFLD	D1,LTH=10
	MFLD	D2,LTH=10
	MFLD	D3,LTH=10
	MFLD	E1,LTH=10
	MSGEND	
FMTOUT	FMT	

Examples of variable-length output with blank compression are shown in the code examples below.

The following code example shows variable-length output with blank compression in record mode:

```

VLVB  FIELD A1 THRU A4: (First record)
01    AAAAA,123456,,A4A4A4
06
VLVB  FIELD B1:         (Second record)
00    BBBBBBBBBB
0C
VLVB  NO DATA:        (Third record)
00
03
VLVB  FIELDS D1 and D3: (Fourth record)
01    DDDDDD,,D3D3D3D3
02

```

Note:

1. Field A2 was short.
2. Field A3 had no data.
3. Field A4 was short. Trailing separators in a record are not transmitted.
4. Field B2 had no data.
5. Fields C1 and C2 had no data. A 1-byte record is transmitted because more data follows.
6. Field D1 was short.
7. Field D2 had no data.
8. Field E1 had no data. A record is not transmitted because no more data follows.

The following table shows the MFS definitions used for record mode output as shown in the previous code example.

Table 145. MFS definitions for record mode

Field	Type	Definition
	DEV	TYPE=DPM-B1, FEAT=5, MODE=RECORD
	DIV	TYPE=OUTPUT, X OFTAB=(c',MIX), COMPR=ALL
A1	DFLD	LTH=10
A2	DFLD	LTH=10
A3	DFLD	LTH=10
A4	DFLD	LTH=10
	RCD	
B1	DFLD	LTH=10
B2	DFLD	LTH=10
	RCD	
C1	DFLD	LTH=10
C2	DFLD	LTH=10
	RCD	
D1	DFLD	LTH=10
D2	DFLD	LTH=10
D3	DFLD	LTH=10
	RCD	
E1	DFLD	LTH=10

The following code example shows variable-length output with blank compression in stream mode:

```
VLVB  FIELDS A1 THROUGH D3: (Single record)
03    AAAAA,123456,,A4A4A4,BBBBBBBBBB,,,DDDDDD,,D3D3D3D3
```

Note: In stream mode, a separator is not transmitted for field D3, which is short, and for field E1, which is omitted.

The following table shows the MFS definitions used for stream mode output as shown in the previous code example.

Table 146. MFS definitions for stream mode

Field	Type	Definition
	DEV	TYPE=DPM-B1, FEAT=6, MODE=STREAM
	DIV	TYPE=OUTPUT, X OFTAB=(c',MIX), COMPR=ALL

Table 146. MFS definitions for stream mode (continued)

Field	Type	Definition
A1	DFLD	LTH=10
A2	DFLD	LTH=10
A3	DFLD	LTH=10
A4	DFLD	LTH=10
B1	DFLD	LTH=10
B2	DFLD	LTH=10
C1	DFLD	LTH=10
C2	DFLD	LTH=10
D1	DFLD	LTH=10
D2	DFLD	LTH=10
D3	DFLD	LTH=10
E1	DFLD	LTH=10
	FMTEND	

Related reference

[“DIV statement” on page 446](#)

The DIV statement defines device formats within a DIF or DOF. The formats are identified as input, output, or both input and output, and can consist of multiple physical pages. For DEV TYPE=SCS1, SCS2, or DPM-AN, two DIV statements can be defined: DIV TYPE=OUTPUT and DIV TYPE=INPUT. For all other device types, only one DIV statement per DEV is allowed.

Data structure name

The data structure name is sent in a separate DD header unless you code OPTIONS=NODNM on the DIV statement. If you code OPTIONS=DNM or the default is used, the DD header is present in each transmission chain of an output message, or each transmission chain of a demand paged output message.

In addition to the data structure name parameter in the DD header, the version identification parameter is present in the only transmission chain of an output message or in the first transmission chain of paged output messages.

Version identification

You have an option of coding a 2-byte value on the DEV statement to be included in the DOF or DIF control block as the version ID. If this parameter is not coded, the version ID is generated by MFS using a hashing algorithm on the date and time. The value is also printed in the MFS Language utility output so that you can reference it in format definitions in remote programs.

Your control of MFS

IMS provides MFS facilities that can assist you, or allow a remote program to control the display or transmission of output messages.

Related concepts

[“Operator logical paging of output messages” on page 484](#)

Output messages can be defined to permit operator logical paging (PAGE= operand in the MOD's MSG statement). Use operator logical paging to request a specific logical page of an output message.

Operator logical paging

Operator logical paging allows you (or, for SLU P, a remote program, or ISC subsystems) to request a specific logical page of an output message. It is defined on a message basis in the PAGE= operand of the MOD's MSG statement.

Functions provided

When a MOD is defined to allow operator logical paging, the following functions are available to you once the first physical page of the output message is displayed:

- Enter = to display the next logical page of the current message.
- Enter =*n*, =*nn*, =*nnn* , or =*nnnn* (where *n* is the logical page number) to display a specific logical page of the current message. The maximum value for *nnnn* is 9999.
- Enter =+*n*, =+*nn*, or =+*nnn* to display the *n* th logical page past the current logical page. The maximum value for *nnn* is 999.
- Enter =-*n*, =-*nn*, =-*nnn* , or =>*nnn* to display the *n* th logical page before the current logical page. The maximum value for *nnn* is 999.
- Enter =L to display the first physical page of the last logical page of the current message.

Format design considerations

When operator logical paging is permitted, message and device formats should be designed to allow you to enter the page request onto a currently displayed page and have the request edited to the first field of the first input segment. If this is not done, or the PAGEREQ function is not used, paging requests can only be entered on a cleared device.

Preferably, the installation standard for device formats should include a specific device field for you to enter logical page requests, transaction codes, and IMS commands. If the transaction code is normally provided through a message or program function key literal, the PAGEREQ function can be used, or a field can be defined at the beginning of the first segment using the null pad character. A page request field on the device can map to this field. If you do not enter a page request, the null pad causes the field to be removed from the segment and the second field (literal transaction code) appears at the beginning of the segment.

Transaction codes and logical page requests

If the PAGEREQ function is not used to specify a page request, MFS formats input data according to the defined MID prior to determining whether operator logical paging was specified, and whether the input contained a page request. If operator logical paging was not specified, the message undergoes standard IMS destination determination.

If operator logical paging was specified, MFS examines the first data of the first message segment (first field if the message uses format option 3) for an equals sign (=). If MFS does not find an equals sign, it routes the message to its destination. If an equals sign is present, all following characters up to a maximum of 4, or the first blank, are considered to be a page request.

A message destined for a single-segment command or transaction, as required in Fast Path applications, should be defined as single-segment in its MID. If the MID defines more than one segment, you must ensure that only one segment is created when the destination is a single-segment command or transaction. This can be achieved by careful input and the use of option 2, null compression (FILL=NULL) or both.

Operator control tables

Input device fields can be defined to invoke MFS control functions when either the data or the data length satisfies a predefined condition. Do this by defining one or more operator control tables and including the related table name in the device field definition.

When a device field is defined with an associated operator control table, MFS processes the device input field and performs the requested control function if the input data satisfies the conditions of the operator control table.

The following control functions are available when you use operator control tables:

NEXTPP

Provides the next physical page of the current message.

NEXTLP

Provides the next logical page of the current message.

PAGEREQ

Provides the logical page requested by the second through last characters of this field. PAGEREQ functions are specified as in operator logical paging. The first character is a page request "trigger" character that you define. The remaining characters must be $n[nnn]$, $+n[nn]$, $-n[nn]$, or L (an equals sign (=) is not allowed).

NEXTMSG

Dequeues the current output message and provides the first physical page of the next message, if any.

NEXTMSGP

Dequeues the current output message and provides the first physical page of the next message, if any; or notifies you that there are no other messages in the queue.

ENDMPPI

Terminates a multiple physical page input message. Available only for the 3270.

Unlike operator logical paging requests, these functions are always located by MFS during the editing process.

3270 or SLU 2-only feature definitions

If you use SLU 2 or a 3270, MFS provides several ways to invoke MFS control functions.

- Program function keys and display device fields defined as detectable by the selector light pen can be defined for all MFS control functions except PAGEREQ.
- The PA1 key is equivalent to, and reserved for, the NEXTPP function.
- The PA2 key is equivalent to the NEXTMSG function.
- The PA3 key, when not used for the copy function, is equivalent to the NEXTMSGP function.
- The PF12 key, or PA3 key on data entry keyboards, requests the copy function. This IMS-supported copy function causes a copy of the currently displayed physical page to be printed on an available candidate printer. This printer must be attached to the same control unit (3271 or 3274, for example) as the display station containing the information to be copied.

Restriction: The request for a copy function is ignored if the device is not defined to allow the copy function or the device does not support the copy function.

For more information about the copy function, see the DFLD statement field definitions for ALPHA/NUM and NOPROT/PROT.

Paging action at the device

The paging operation for an MFS device depends on MFS control block definitions, the output message content, and your input. If the device is a printer, each physical page of each logical page is transmitted to the device in sequence and the message is dequeued.

During output paging, if online change processing occurs that changes the format of the output message you access, you can get an error message or get the message in a format different from the one expected.

If operator logical paging is **not** specified for a 3604, 3270, SLU 2 display, or SLU P using the DPM paging option, each physical page of each logical page can be viewed in sequence using the NEXTTPP function. Because operator logical paging is not specified, entering NEXTTPP after the last physical page of the last logical page has been displayed causes the next message to be transmitted if only one exists in the queue. If no message is in the queue, no action takes place.

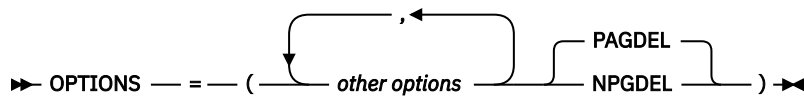
If operator logical paging is specified for a 3604, 3270, SLU 2 display, or SLU P using the DPM paging option, the NEXTTPP function can be used to view pages sequentially. However, entering NEXTTPP after the last physical page of the last logical page causes MFS to return an error message and reset the page position to the first page. If you are going to view pages out of sequence, the formats should be designed to use the PAGEREQ capability or to have the page request edited to the first field of the first input segment. If not, the screen must be cleared before the page request is entered as unformatted input. For performance reasons, avoid this method.

The following tables describe IMS actions, and the possible message and device status from your input or remote program actions after a successful message transmission.

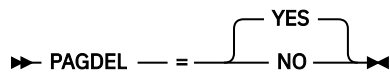
The following factors must be considered and are included in the figure:

- Macro/statement specifications:

1. TERMINAL (or TYPE) macro (IMS system definition)

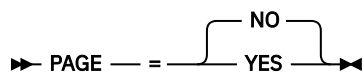


or



When you use the default (PAGEDEL=YES), your input that invokes processing for a new transaction causes the output message for the current transaction to be dequeued. To prevent current output from being dequeued, OPTIONS=(...,NPGDEL,...), or PAGDEL=NO for nonswitched 3270 devices, must be specified.

2. MSG statement (MOD definition)



PAGE=YES specifies that operator logical paging is permitted. PAGE=NO specifies that paging is not permitted.

- Whether the last physical page of the last logical page in the current message has been sent.
- An IMS action performed automatically after successful message transmission and before your input.
- Your input or remote program action after receiving a message:
 - PAGE ADVANCE: NEXTTPP request is entered (or you press PA1 key on 3270 or SLU 2).
 - LOGICAL PAGE ADVANCE: NEXTLP request is entered.
 - =PAGE: specific logical page is requested.
 - PAGEREQ: specific logical page is requested.
 - MESSAGE ADVANCE: NEXTMSG request is entered (or you press the PA2 key on a 3270 or SLU 2 device).
 - MESSAGE ADVANCE PROTECT: NEXTMSGP request is entered (or you press PA3 key on 3270 or SLU 2 when PA3 is not defined for copy function).
 - You enter (or a remote program enters) data that does not invoke an operator control function, followed by enter (or 3270 or SLU 2 PFK, CARD, IMMEDIATE DETECT).

3270 or SLU 2 operators can also press the CLEAR key. The CLEAR key causes the screen to be unprotected, and subsequent input is edited by IMS basic edit. CLEAR does not affect the status of the current output message. The result of any operator action after using CLEAR is the same as if CLEAR had not been used.

- The following tables use the following abbreviations to describe IMS action:

MSG DEQ

Message dequeue. IMS removes the current output message from the message queue. The message is available until this action takes place.

MSG ENQ

Message enqueue. IMS places the input message in the message queue.

PROTECT

IMS prevents the device from receiving output from IMS.

UNPROTECT

IMS makes the device eligible to receive output from IMS. If a message is currently queued for this device, IMS sends it (subject to controls established by response mode, conversational or exclusive device status).

If a paged message is sent to the terminal with the unprotected screen option set to "unprotected" (during system definition or using the DSCA or SCA specification), the screen is not protected between pages and the IMS-described actions shown in the following tables should be ignored. If the message is sent to the terminal with the unprotected screen option set to "protect", the IMS actions shown in the following tables apply.

The following tables assume the system and message definition values and page position in the current message that apply in the following four cases:

Case 1

PAGE=NO and the last physical page of the last logical page of the current message was sent.

Case 2

PAGE=NO and the last physical page of the last logical page of the current message was *not* sent.

Case 3

PAGE=YES and the last physical page of the last logical page of the current message was sent.

Case 4

PAGE=YES and the last physical page of the last logical page of the current message was *not* sent.

Note: If an error message has been sent to the last page, the following tables do not apply. The original message is still in the queue. See *IMS Version 15.5 System Utilities* for the proper response to the message.

For the following table, the IMS action, after successful IMS transmission of the message and terminal receipt of the message, for each of these four cases is PROTECT, that is, IMS prevents the device from receiving output from IMS. For Case 1, IMS also dequeues the message from the IMS message queue.

Table 147. Paging operation for a device with MFS with PAGDEL specified. IMS-MFS action and resulting terminal and message status

Operator Action	IMS Action for Case 1	IMS Action for Case 2	IMS Action for Case 3	IMS Action for Case 4
Request PAGE ADVANCE (NEXTTPP)	Unprotected	Send next physical page unprotected	Send error message, protected ¹	Send next physical page, protected

Table 147. Paging operation for a device with MFS with PAGDEL specified. IMS-MFS action and resulting terminal and message status (continued)

Operator Action	IMS Action for Case 1	IMS Action for Case 2	IMS Action for Case 3	IMS Action for Case 4
Request LOGICAL PAGE ADVANCE (NEXTLP)	Unprotected	Send first physical page of next logical page in current msg ²	Send error message, protected ¹	Send first physical page of next logical page in current msg ²
Request specific logical page using =PAGE	Send error message, protected ³	MSG DEQ, send error message protected ³	If valid, send first physical page of requested logical page, protected. ¹ If invalid, send error message protected. ¹	
Request specific logical page using PAGEREQ	Send error message, protected	Send error message, protected ¹	If valid, send first physical page of requested logical page, protected. ¹ If invalid, send error message protected. ¹	
Request MESSAGE ADVANCE (NEXTMSG)	Unprotected	MSG DEQ, unprotected	MSG DEQ, unprotected	MSG DEQ, unprotected
Request MESSAGE ADVANCE PROTECT (NEXTMSGP)	Protected ⁴	MSG DEQ, protected ⁴	MSG DEQ, protected ⁴	MSG DEQ, protected ⁴
Enter data	MSG ENQ, unprotected	MSG DEQ, MSG ENQ, unprotected	MSG DEQ, MSG ENQ, unprotected	MSG DEQ, MSG ENQ, unprotected

Notes:

1. The original message is still in the queue. See *IMS Version 15.5 System Utilities* for the proper response to the message.
2. If the current page was the last logical page, no new page is sent, and device status is unprotected.
3. If the device is preset or in conversation, the input is queued; no error message is sent and the device status is unprotected.
4. If a message is in the queue and exclusive or conversational status does not prevent it from being sent, it will be sent. If no message can be sent, a system message is sent indicating that no output is available.

For the following table, the IMS action, after successful IMS transmission of the message and terminal receipt of the message, for Cases 2, 3, and 4 is PROTECT, that is, IMS prevents the device from receiving output from IMS. For Case 1, IMS dequeues the message from the IMS message queue.

Table 148. Paging operation for a device with MFS with NPAGDEL specified. IMS-MFS action and resulting terminal and message status

Operator Action	IMS Action for Case 1	IMS Action for Case 2	IMS Action for Case 3	IMS Action for Case 4
Request PAGE ADVANCE (NEXTTPP)	Unprotected	Send next physical page, protected	Send error message, protected ¹	Send next physical page, protected
Request LOGICAL PAGE ADVANCE (NEXTLP)	Unprotected	Send first physical page of next logical page in current msg ²	Send error message, protected ¹	Send first physical page of next logical page in current msg ²
Request specific logical page using =PAGE	Send error message, protected ³	Send error message, protected ^{1,3}	If valid, send first physical page of requested logical page, protected. If invalid, send error message, protected. ¹	
Request specific logical page using PAGEREQ	Send error message, protected	Send error message, protected ¹	If valid, send first physical page of requested logical page, protected. If invalid, send error message, protected. ¹	
Request MESSAGE ADVANCE (NEXTMSG)	Unprotected	MSG DEQ, unprotected	MSG DEQ, unprotected	MSG DEQ, unprotected
Request MESSAGE ADVANCE PROTECT (NEXTMSGP)	Protected ⁴	MSG DEQ, unprotected	MSG DEQ, protected ⁴	MSG DEQ, protected ⁴
Enter data	MSG ENQ, unprotected	MSG ENQ ⁵	MSG ENQ ⁵	MSG ENQ ⁵

Notes:

1. The original message is still in the queue. See *IMS Version 15.5 System Utilities* for the proper response to the message.
2. If the current page was the last logical page, no new page is sent, and device status is unprotected.
3. If the device is preset or in conversation, the input is queued; no error message is sent and the device status is unprotected.
4. If a message is in the queue and exclusive or conversational status does not prevent it from being sent, it will be sent. If no message can be sent, a system message is sent indicating that no output is available.
5. The original message is still in the queue. The first physical page of the first logical page is sent unless the device is currently involved in an active conversation. If in conversation, an error message is sent. To continue after a conversational response, NEXTMSG must be entered to dequeue that response.

Related concepts

[“Operator logical paging of output messages” on page 484](#)

Output messages can be defined to permit operator logical paging (PAGE= operand in the MOD's MSG statement). Use operator logical paging to request a specific logical page of an output message.

[“Unprotected screen option” on page 515](#)

IMS allows you to leave the screen in unprotected status when an output message is sent to the 3270 display and the message is formatted by MFS. This option is provided on a terminal-by-terminal basis or on a message-by-message basis, except messages bypassing MFS.

Unprotected screen option

IMS allows you to leave the screen in unprotected status when an output message is sent to the 3270 display and the message is formatted by MFS. This option is provided on a terminal-by-terminal basis or on a message-by-message basis, except messages bypassing MFS.

The terminal option of unprotected status applies to:

- All user-output messages that bypass MFS
- All IMS-generated messages (for example, error, **/BROADCAST**, and **/DISPLAY** command output)
- All messages that are formatted by MFS with one of the IMS-supplied default formats or with user-supplied formats

If you do not select the unprotected screen option your messages that are formatted by MFS with user-supplied formats or IMS-supplied default formats, and IMS-generated messages, leave the screen protected or unprotected on a message-by-message basis.

If the message is paged, the screen is unprotected between pages. Therefore, this option is not recommended for paged messages.

Use this option through one of the following:

- SCA output message option of the MFLD statement
- System definition TERMINAL macro specification
- DSCA specification on the DEV statement

Byte 1, bit 5 in the DSCA= operand of the DEV statement and in the SCA output message option of the MFLD statement is defined for protecting or not protecting the screen when the message is sent to the 3270 display:

B'0'

Protects the screen when output is sent. B'0' (protected) is the default. This bit is used for autopaged output in ISC.

B'1'

The screen is unprotected when output is sent.

If the DSCA value is set to B'0' and PROT (protected) is specified or used as the default on the TERMINAL or TYPE macro, the application program can request that the screen be unprotected when this output is sent (by setting the SCA value to B'1'). If unprotected status is requested when operator logical paging (OLP) is used for the message (PAGE=YES is specified in the corresponding MSG definition), then OLP is reset. You can modify IMS-supplied default formats to set the DSCA value to B'1'.

Whether your messages that bypass MFS leave the display protected or unprotected depends on the OPTIONS specification on the TERMINAL or TYPE macro during system definition. The default is protected.

If MFS formats an IMS message sent to the SYMSG field of a user-defined format the screen is protected or unprotected depending on the DSCA or SCA option of the format on the device.

When the display is in unprotected status, IMS can send output to the terminal at any time. If you press ENTER, a PA key, or a PF key just before the IMS output, your input or request can be lost. This can be avoided if MFS is used for output and input and you enter the NEXTMSGP function or press PA3 (if PA3 is not used for copy) to obtain protected status before entering input data.

If MFS is not used or is only used for output, and the MOD name specifies DFS.EDT, then PA3 protects input data and must not be used for copying.

The following table illustrates the action to be taken (protected or unprotected) by IMS based on the OPTIONS specification on the TERMINAL or TYPE macro during system definition, and the type of output message sent.

Table 149. IMS protect or unprotect action based on OPTIONS specification

Output Message	IMS System Definition (PRO)	IMS System Definition (UNPRO)
IMS-generated message with: DSCA SCA=PROTECT	PROTECT	UNPROTECT
IMS-generated message with: DSCA SCA=UNPROTECT	UNPROTECT	UNPROTECT
Message using MFS bypass	PROTECT	UNPROTECT
Your message using MFS and user-supplied format or IMS-supplied default format with: DSCA SCA=PROTECT	PROTECT	UNPROTECT
Your message using MFS and user-supplied format or IMS-supplied default format with: DSCA SCA=UNPROTECT	UNPROTECT	UNPROTECT

Note:

1. PROTECT: Do not send additional output; wait for input.
2. UNPROTECT: Send output if an output message is available and eligible to be sent.

Related concepts

[“Paging action at the device” on page 510](#)

The paging operation for an MFS device depends on MFS control block definitions, the output message content, and your input. If the device is a printer, each physical page of each logical page is transmitted to the device in sequence and the message is dequeued.

3290 in partitioned format mode

Support of 3290 partitioning and scrolling is provided for devices defined to IMS as SLU 2 terminals. Partitioning and scrolling are not provided for devices using non-SNA VTAM.

Partition initialization options and paging

You can choose one of three different options for initializing the partition set and paging. The option you select determines how many logical pages of the output message are presented to their appropriate partitions at the initial transmission of a message to a partition formatted screen. (An output message consists of one or more logical pages, each destined for a particular partition according to the DPAGE specifying that partition.) The option also determines how paging requests present additional logical pages to their appropriate partitions. You can specify the option on the PAGINGOP= operand of the partition descriptor block (PDB) statement.

The three options are:

Option 1

The initial data stream presented to the 3290 LU consists of the first logical page of the output message, which is mapped using the DPAGE to the appropriate partition. Thereafter you control all paging with keyed-in paging requests. You use the PA1 and PA2 keys just as in standard, non-partitioned mode. The terminal can be using basic paging support or OLP.

When you request the next logical page, MFS gets the next sequential logical page and sends it to its associated partition. It does not matter which partition is active. A request for the next page results in the next sequential page in the message being sent to the inputting (active) partition or to another partition.

For example, if you enter =+1, the next logical page in the message is presented to the appropriate partition, whatever that partition might be. If you enter =+3, the page that is sequentially third from the last logical page presented is presented next.

Option 2

The initial data stream presented to the 3290 LU consists of the first logical page of the message and additional logical pages in sequence until the second logical page of any partition is reached, or until the end of the message. Thereafter you control all paging with keyed-in paging requests as described for Option 1.

Option 3

The initial data stream presented to the 3290 LU consists of the first logical page of each partition of the partition set. Thereafter you control all paging with keyed-in paging requests, with one crucial difference from Options 1 and 2: the order in which subsequent logical pages are presented to the partitions depends on the active partition, from which the request is entered. All requests for logical pages apply only to logical pages associated with the active partition.

For example, if you enter =+1, the next logical page destined for the active partition is presented—not necessarily the one that happens to be sequentially next in the message. This means that, for the 3290 operator, management of logical paging within the active partition is identical to paging support in a non-partitioned environment.

Regardless of the option chosen, one partition is active after the initial data stream is sent. The active partition is the one in which the cursor is located.

An ACTVPID operand might have been specified on one of the DPAGES that points to an initialized partition. The ACTVPID allows the application program to declare which partition is the active partition. If option 2 or 3 is being used and data has been sent to several partitions, it is possible that more than one partition has been specified by ACTVPID keywords. In that case, the last partition activated is the active partition. If no ACTVPID keywords are encountered, the active partition is the partition defined by the first partition descriptor (PD) statement in the PDB.

Clearing the display

There are two levels of clearing the screen and buffer:

- The CLEAR key (X'6D') resets the 3290 to base state, (non-partitioned mode), sets the buffer positions to null, and places the cursor in the upper left corner of the screen. It also places the active message back onto the queue and deletes the control block structure that was created for partitioning.
- The CLEAR PARTITION key (X'6A') resets only the active partition buffer to nulls and clears the active partition viewport. It also places the cursor in the top left corner of the partition. The partition is considered unformatted; any input from it is considered unformatted by MFS and is processed by basic edit.

The JUMP PARTITION key

Using the JUMP PARTITION key, you can move from one partition to the next, in the order that the PD statements define the partitions in the PDB.

Movement between partitions is determined by the order of the PD statements, not by the order of the associated partition identifier (PID) values.

The partition to which the cursor moves becomes the active partition. Using this key causes no interaction with the host.

Scrolling operations

The VERTICAL SCROLLING keys cause the data to move up or down in the viewport, so that different parts of the presentation space appear in the scrolling window. The scrolling window is the portion of the presentation space that is mapped to the viewport at a given time. If the viewport has the same depth as the presentation space, the viewport is nonscrollable. If the viewport depth is smaller than the presentation space, it is scrollable.

The amount scrolled each time depends on what is specified by the SCROLLI keyword on the PD statement. The default scrolling increment is one row. Scrolling causes no interaction with the host.

Related concepts

[“3290 screen formatting” on page 412](#)

A 3290 screen can be divided into several independent areas, called *logical units* (LUs). Each LU can be in base state or formatted state. If it is in formatted state, the LU can be in standard or *partitioned* format mode.

[“3180 in partitioned format mode” on page 518](#)

IMS support for the 3180 in partitioned format mode is provided through 3290 partitioning and scrolling support.

Related reference

[“Device-dependent output information” on page 431](#)

Using certain options for outputting information can make the application program device-dependent. Some options allow the application program to control certain features of devices receiving output. Descriptions of the effects of various output options follow.

3180 in partitioned format mode

IMS support for the 3180 in partitioned format mode is provided through 3290 partitioning and scrolling support.

Although interaction with the 3180 and the 3290 in partitioned format mode are similar, the following differences apply:

- With the 3180, only one partition with specific size limits is possible. The 3290 supports multiple partitions of various sizes.
- Logical unit display screen size and viewport location for the 3180 cannot be specified in picture elements (pels). The 3290 supports rows, columns, and pels.
- With the 3180, the single partition is the only one initialized. With the 3290, the application program can determine, with the ACTVPID keyword, which of the various partitions to initialize.

Because only one active partition is available on the 3180, you can either specify Option 1 on the PAGINGOP= operand of the PDB statement or accept the default of 1. With this option, the initial data stream presented to the 3180 LU consists of the first logical page of the output message, which is mapped by the DPAGE to the single partition. When you request the next logical page, MFS gets the logical page that is sequentially next in the message and sends it to the partition.

Clearing the display and scrolling is handled in the same way on the 3180 as on the 3290 in partitioned format mode.

Related concepts

[“3290 in partitioned format mode” on page 516](#)

Support of 3290 partitioning and scrolling is provided for devices defined to IMS as SLU 2 terminals. Partitioning and scrolling are not provided for devices using non-SNA VTAM.

MFS format sets supplied by IMS

Several format sets are provided by IMS for system use and to serve as defaults when you have not supplied a correct MOD name. The IMS-supplied control blocks reside in the IMS.FORMAT library. When the MFSTEST facility is in use, these control blocks also reside in the IMS.TFORMAT library. They can be used in any IMS installation with MFS by specifying the appropriate MOD name after the /FORMAT

command. In addition, the format definitions can be used independently by specifying the format name in the SOR= operand of the user-written message definition.

The format definitions supplied by IMS combine with various message definitions to create several separate message formats. All of the format sets except the MFS 3270 and the SLU 2 master terminal formats use the DFSDF1, DFSDF2, or DFSDF4 format definitions. These format definitions include literals for two of the 3270 or SLU type 2 program function keys, PFK1 and PFK11. Pressing PFK1 inserts the /FORMAT command into the first message segment, in front of the entered data. Pressing PFK11 causes a NEXTMSGP request.

System message format

The system message format is used for single-segment output messages from IMS and single-segment broadcast messages. It permits two segments of input (transaction, command, or message switch). DFSDF1 is the format name. The MOD name is DFSMO1, and the MID name is DFSMI1. Messages that use this format are eligible for the SYSMSG field on 3270 or SLU 2 devices.

Multisegment system message format

The multisegment system message format is used for multisegment messages from IMS and multisegment broadcast messages. It permits an output message of up to 22 segments. DFSDF2 is the format name. The MOD name is DFSMO5, and the MID name is DFSMI2. Messages that use this format are eligible for the SYSMSG field on 3270 or SLU 2 devices. Use the PA1 key to obtain subsequent segments.

Output message default format

For 3270 or SLU 2 devices, the output message default format is used for message switches from other terminals and application program output messages with no MOD name specified. It permits two segments of input (transaction, command, or message switch). DFSDF2 is the format name. The MOD name is DFSMO2, and the MID name is DFSMI2.

Block error message format

The block error message format is used for the DFS057I REQUESTED BLOCK NOT AVAILABLE message sent by MFS when an error is encountered during output format block selection. This message is accompanied by a return code (indicating the severity of error) and the block name (the name of the MOD or DOF in error). It can include up to 21 segments of output per logical page. This format permits two segments of input (transaction, command, or message switch). DFSDF2 is the format name. The MOD name is DFSMO3, and the MID name is DFSMI2.

/DISPLAY command format

The /DISPLAY command format is used for /DISPLAY command output. Up to 22 segments per logical page are permitted. This format permits two segments of input (transaction, command, or message switch). DFSDF2 is the format name; The MOD name is DFSDSP01, and the MID name is DFSMI2.

Multisegment format

The multisegment format is used for entering multisegment transactions and commands. A /FORMAT command specifying a MOD name of DFSMO4 can be used to obtain this format. This format is also used for multisegment output messages not exceeding four segments. Up to four segments of input are permitted. DFSDF4 is the format name. The MOD name is DFSMO4, and the MID name is DFSMI4.

MFS 3270 or SLU 2 master terminal format

The MFS 3270 or SLU 2 master terminal format is used when the optional IMS-supplied MFS support for the 3270 or SLU 2 master terminal is selected.

MFS sign-on device formats

The MFS sign-on device format is used for terminals that require user signon, such as terminals defined with the extended terminal option (ETO). (For more information about ETO, see *IMS Version 15.5 Communications and Connections*.) The format applies to 3270 and SLU 2 devices only. For devices that can receive the formatted /SIGN ON command panel (devices with at least 12 lines and 40 columns), the MOD is DFSIGNP, and the MID is DFSIGNI. For devices with smaller screens, the MOD is DFSIGNN, and the MID is DFSIGNJ.

IMS also supports the MFS sign-on device format for password phrases with lengths up to 100 characters. The format applies to 3270 and SLU 2 devices only. For devices that can receive the formatted /SIGN PASSPHRASE command panel (devices with at least 12 lines and 40 columns), the MOD is DFSIGNPC, and the MID is DFSIGNIC. For devices with smaller screens, the MOD is DFSIGNNC, and the MID is DFSIGNJC.

Related concepts

[“MFS formatting for the 3270 or SLU 2 master terminal” on page 520](#)

If the IMS master terminal is a 3270 or SLU 2 display device defined as a 3275, 3277 model 2, or 3270-An with SIZE=24x80, you can select the IMS-supplied format that uses MFS. To use the IMS-supplied format you must specify OPTIONS=(...,FMTMAST,...) in the COMM macro during IMS system definition.

MFS formatting for the 3270 or SLU 2 master terminal

If the IMS master terminal is a 3270 or SLU 2 display device defined as a 3275, 3277 model 2, or 3270-An with SIZE=24x80, you can select the IMS-supplied format that uses MFS. To use the IMS-supplied format you must specify OPTIONS=(...,FMTMAST,...) in the COMM macro during IMS system definition.

When this format is used, the display screen is divided into four areas and several program function keys are reserved.

The four areas of the screen are:

Message Area

This area is for IMS command output (except /DISPLAY and /RDISPLAY), message switch output, application program output that uses a MOD name beginning with DFSMO, and IMS system messages.

Display Area

This area is for /DISPLAY and /RDISPLAY command output.

Warning Message Area

This area can display the following warning messages:

```
MASTER LINES WAITING
MASTER MESSAGE WAITING
DISPLAY LINES WAITING
USER MESSAGE WAITING
```

You can also enter an IMS password in this area.

User Input Area

This area is for your input.

Related reading: The format and use of these screen areas is described in *IMS Version 15.5 System Administration*.

The IMS-supplied master terminal format defines literals for nine of the 3270 or SLU 2 program function (PF) keys. PF keys 1 through 7 can be used for IMS command input. Pressing a PF key inserts a corresponding command into the first message segment in front of the entered data. The keys and their corresponding commands are:

PF Key

Command

1

/DISPLAY

- 2 /DISPLAY ACTIVE
- 3 /DISPLAY STATUS
- 4 /START LINE
- 5 /STOP LINE
- 6 /DISPLAY POOL
- 7 /BROADCAST LTERM ALL

The PF11 key issues a NEXTMSGP request, and the PF12 key requests the copy function.

Do not change the definitions for the master terminal format, with the exception of the PFK literals.

When the master terminal format is used, any message whose MOD name begins with DFSMO (except DFSMO3) is displayed in the message area. Any message whose MOD name is DFSDSPO1 is displayed in the display area. Messages with other MOD names generate the warning message: USER MESSAGE WAITING.

Related concepts

[“MFS format sets supplied by IMS” on page 518](#)

Several format sets are provided by IMS for system use and to serve as defaults when you have not supplied a correct MOD name. The IMS-supplied control blocks reside in the IMS.FORMAT library. When the MFSTEST facility is in use, these control blocks also reside in the IMS.TFORMAT library. They can be used in any IMS installation with MFS by specifying the appropriate MOD name after the /FORMAT command. In addition, the format definitions can be used independently by specifying the format name in the SOR= operand of the user-written message definition.

MFS Device Characteristics table

The MFS Device Characteristics table (DFSUDT0x) is generated during system definition for the 3270 or SLU 2 devices defined as TYPE=3270-An in the TYPE or TERMINAL macro statement.

The 'x' in DFSUDT0_x corresponds to the parameter specified on the SUFFIX= keyword of the IMSGEN macro.

The MFS Device Characteristics table can be updated with the MFS Device Characteristics Table utility (DFSUTB00), which allows updates to the table without system regeneration. Each entry in the table contains the user-defined device type symbolic name (3270-An), associated screen size (from SIZE= parameter), and physical terminal features (from FEAT= parameter). Different specifications of the physical terminal features (FEAT= parameter) for the same device type symbolic name cause separate entries to be generated in the MFS Device Characteristics table.

MFS source definitions specify TYPE=3270-An and FEAT as operands on the DEV statement. For the specified device type, MFS extracts the screen size from the specified DFSUDT0_x in the IMS.SDFSRESL library.

The MFS Language utility (DFSUPAA0) uses the screen size, feature, and device type specifications to build a DIF/DOF member in the IMS.FORMAT library to match the IMS system definition specification. Because the screen size is specified only during IMS system definition, an IMS system definition must be performed before execution of the MFS Language utility for user-defined formats with DEV TYPE=3270-An.

The MFS Device Characteristics table is created during stage 2 of IMS system definition using the same suffix as the IMS composite control block, nucleus, and security directory block modules as specified in the SUFFIX= keyword of the IMSGEN macro. If terminals defined with ETO are added to the system, the

MFS Device Characteristics Table utility can be used to add to or update the table without regenerating the system definition.

The alphanumeric suffix (x) of the table name (DFSUDT0₃x) is the level identification for the version of the table to be read. The x suffix can also be specified using the DEVCHAR= parameter of the EXEC statement for the MFSUTL, MFSBTCH1, MFSTEST, and MFSRVC procedures. Repetitive use of the same suffix by the MFS Language utility causes the same version of the MFS device Characteristics table to be read from the IMS.SDFSRESL library.

If an MFS Device Characteristics table is required, and either no suffix was provided or the suffixed table is not present in the IMS.SDFSRESL library, the MFS Language utility attempts to load the IMS Device Characteristics table using the default name (DFSUDT00).

Note: If no default table (DFSUDT00) was created at system definition a failure will result.

During the logon process for an ETO terminal, the MFS Device Characteristics table is used to determine the MFS device type for the terminal. The screen size from the BIND unique data and the device features from the ETO logon descriptor are used as search arguments.

Associate only one symbolic name with a given screen size. Establish a standard for relating the device type symbolic name to the screen size.

Recommendation: Use the listed screen sizes for each of the user-defined symbolic names:

User-Defined Symbolic Name

Screen Size

3270-A1

12×80

3270-A2

24×80

3270-A3

32×80

3270-A4

43×80

3270-A5

12×40

3270-A6

6×40

3270-A7

27×132

3270-A8

62×160

Related reference

[MFS Language utility \(DFSUPAA0\) \(System Utilities\)](#)

[MFS Device Characteristics Table utility \(DFSUTB00\) \(System Utilities\)](#)

[TYPE macro \(System Definition\)](#)

[TERMINAL macro \(System Definition\)](#)

Version identification function for DPM formats

The MFS DOF defines how data is formatted for presentation to the remote program so the remote program can efficiently locate and process the data. The MFS DIF defines how data is presented to IMS from the remote program.

To ensure proper formatting and to present and interpret the data correctly the MFS DOFs and DIFs and the remote program communication blocks of the data formats must be at the same level. The current level of the MFS control block is a unique 2-byte field called the version identification (version ID). The version ID is either user-supplied on the DEV statement or, if not specified, it is created by the MFS

Language utility at the time the source definition is stored in the IMS.REFERRAL library in an ITB format. The version ID is printed in the information messages DFS1048I and DFS1011I of the MFS Language utility for the DOF or DIF, and must be included in the remote program if verification is to be performed.

The version ID of the DOF used in mapping the output message is provided in the output message header and must be used by the remote program to verify that the control block in the remote program is at the same level as the DOF's version ID.

The version ID of the control block used in mapping the input message to IMS must be provided by the remote program in the input message header. It is used to verify that the correct level of the DIF is provided to map the data for presentation to the IMS application program. If the version ID sent on input does not match the version ID in the DIF, the input data is not accepted and an error message is sent to the remote program. If the verification is not desired, the version ID can be sent with hexadecimal zeros (X'0000') or it can be omitted from the input message header. In this case, both the remote program and MFS assume that the DIF can be used to map the data correctly.

Chapter 6. OTMA Callable Interface API reference

IMS provides OTMA access with the OTMA Callable Interface (C/I) API.

See *IMS Version 15.5 Messages and Codes, Volume 2: Non-DFS Messages* for codes and messages used by the OTMA C/I.

OTMA Callable Interface API calls

The OTMA callable interface application programming interfaces (APIs) are listed here.

Using the Header File DFSYCO.H:

The header file included in the API calling program declares each API invocation and variables used for the invocation.

For a C/C++ program using OTMA Callable Interface, the C/C++ header file, DFSYCO.H, needs to be included in the C/C++ program.

Load Module DFSYCRET:

The object stub, DFSYCRET, receives all the API invocations and issues a SVC call to perform the requested function. The object stub needs to be available during the binding of the API invoking program. DFSYCRET can be found in SDFSRESL or ADFSLOAD data sets.

OTMA C/I hints and tips

Use the following hints and tips when programming with OTMA C/I.

- Some OTMA C/I API calls have an ECB parameter that is posted by the function or by an SRB routine that the function precipitates. The caller must check the ECB and wait for it to be posted before inspecting the return code and output data. Be sure to initialize the ECB with 0 before passing to the OTMA C/I call. The calls that include the ECB parameter are:
 - otma_open
 - otma_openx
 - otma_send_receive
 - otma_send_receivex
 - otma_send_receivey
 - otma_send_async
 - otma_send_asyncx
 - otma_receive_async
- Each otma_alloc call creates an independent session for the subsequent otma_send_receive call. One of the otma_alloc calls can be used to specify the name of IMS transaction or IMS command to be sent to IMS. The maximum length of the transaction name is 8 characters. If no transaction name or command is specified in the otma_alloc call, the transaction name, followed by one or more blanks, or command needs to be specified in the beginning of the send buffer of the otma_send_receive call. After the otma_send_receive call, otma_free is required, except for the IMS conversation transaction. See the invocation sample C for sending a conversation transaction.
- The OTMA C/I builds the standard LLZZ prefix of IMS application data format. You do not need to build the LLZZ prefix.
- To send a multi-segment message to IMS, the send segment list of the otma_send_receive call must identify the length of each input segment. The first element in the segment list specifies the number of

the segment. The first element is then followed by the length of segment 1, the length of segment 2, and so on.

- When a multi-segment output message is received, an output segment list is provided for the `otma_send_receive` call. The first element in the output segment list contains the number of the output segment. The first element is then followed by the length of output segment 1, the length of output segment 2, and so on.
- Sample programs (DFSYCSMP) are shipped with IMS.
- The OTMA C/I can be used to send a protected transaction to IMS by passing a context token to the `otma_send_receive` call.
- Because some of the OTMA C/I calls require the calling program to wait, implementing the time-out routine in the calling program is highly recommended to avoid long running transactions in IMS and the internal OTMA C/I hang.
- To run the OTMA C/I application efficiently, limit the number of `otma_open` and `otma_close` calls in the application. Also, for all `otma_open` and `otma_create` calls, try to use the same member name rather than generating a different member name for each call.
- If the size of the output receive buffer specified in the `otma_send_receive` call is too small, the actual data returned is limited by the size of the receive buffer. The output can be rejected if a special option, `SyncLevel1`, is specified in the `otma_alloc` call. However, if the size of the output receive buffer is too small for the `otma_receive_async` call, the OTMA C/I always rejects the output.
- The OTMA C/I can support various program-to-program switches in IMS. See *IMS Version 15.5 Communications and Connections* for more information.
- In some cases, OTMA C/I returns a return code to inform the caller about an abnormal condition. Logging or saving the return code for debugging purpose is recommended.
- The `otma_send_receive` call sends an OTMA send-then-commit message with `synclevel=none` to IMS. The caller can set a `synclevel=confirm` for `otma_send_receive`.
- When an input z/OS Resource Recovery Services (RRS) context token is given in the `otma_send_receive` call, the `synclevel` is then changed to `SYNCPT` to support the protected transaction.
- For complex program-to-program switches in IMS, a send-then-commit input message could result in a commit-then-send output message instead of the expected send-then-commit output message. The OTMA C/I works in this scenario. See *IMS Version 15.5 Communications and Connections* for more information on program-to-program switches.
- The `otma_send_async` call sends an OTMA commit-then-send message to IMS.
- The `otma_receive_async` call receives an OTMA commit-then-send output message from IMS.
- The OTMA C/I does not support either the OTMA resync protocol or the OTMA security PROFILE option.

Related reference

[“OTMA C/I sample program for synchronous processing” on page 543](#)

The program below shows how to use the OTMA C/I for synchronous (one in-one out) processing.

[“OTMA C/I sample program for asynchronous processing” on page 552](#)

The following program illustrates how to use OTMA C/I for asynchronous (unsolicited) processing.

otma_create API

Use the `otma_create` API to allocate storages for z/OS cross-system coupling facility (XCF) and IMS communications.

Description

After the call, an anchor will be returned. The anchor must be used for the subsequent calls.

Invoking `otma_create` is not required. During the `otma_open`, OTMA C/I will allocate storages for communication, if it detects that `otma_create` has not been called. If `otma_create` is invoked first, the same input parameters need to be used again for the subsequent `otma_open` call.

Invocation

Called by the client in TCB mode.

Input

*ecb

Pointer to the next event control block.

*group_name

Pointer to the string containing the XCF group name. (char[8])

*member_name

Pointer to the string containing the XCF member name for this member. (char[16])

*partner_name

Pointer to the string containing the XCF member name for IMS. (char[16])

*sessions

Number of parallel sessions that are intended to be supported with IMS. Long integer from 001 to 999.

*tpipe_prefix

First 1 to 4 characters of the tpipe names. (char[4])

For more information on OTMA tpipe naming conventions, see *IMS Version 15.5 Communications and Connections*.



Attention: For the input fields **group_name**, **member_name**, and **partner_name**, all XCF names that are pointed to must be left justified, filled with blanks, and consist of legal upper case EBCDIC characters. If any of those naming rules are violated, underlying XCF errors will be reported.

Output

*anchor

Pointer to the anchor word.

*retrsn

Pointer to the return code structure.

C-language function prototype

```
otma_create(  
    otma_anchor_t          *anchor,          [out]  
    otma_retrsn_t         *retrsn,         [out]  
    ecb_t                 *ecb,           [in]  
    otma_grp_name_t       *group_name,     [in]  
    otma_clt_name         *member_name,   [in]  
    otma_srv_name         *partner_name,  [in]  
    signed long int       *sessions,     [in]  
    unsigned char         *tpipe_name);   [in]
```

Return values (rc value)

The rc and reason are valid after ECB has been posted. For the complete description of each error, see *IMS Version 15.5 Communications and Connections*.

0

The call was completed successfully.

8

User error.

12

Storage obtain failure.

otma_open API

The caller must call `otma_open` to connect when IMS is available. The caller must wait on the ECB, that is posted when the connection is completed or when the attempt has failed. When IMS is not up or OTMA is not started the attempt will fail.

Description

The caller can cancel the attempt to connect with IMS by issuing an `otma_close` call at any time. The ECB will be posted accordingly.

If IMS fails after this connection is established, any call to a function interface will receive a return code to indicate that IMS is no longer listening for messages. If IMS resumes before a close is performed, the connection will be reestablished without any action from the client. The `otma_close` and `otma_open` interfaces may be called again to reestablish communications with IMS. All existing conversations will have been terminated. This implementation does not use OTMA Resynchronization Protocol.

An extended version of the `otma_open` API, which is called `otma_openx`, provides extended functionality.

Invocation

Called by the client in TCB mode.

Input

***anchor**

Pointer to the anchor word. If `otma_create` is not used to set up the anchor environment, the anchor word must be initialized with a zero.

***group_name**

Pointer to the string containing the z/OS cross-system coupling facility (XCF) group name. (char[8])

***member_name**

Pointer to the string containing the XCF member name for this member. (char[16])

***partner_name**

Pointer to the string containing the XCF member name for IMS. (char[16])

***sessions**

Number of parallel sessions that are intended to be supported with IMS. Long integer from 001 to 999.

***tpipe_prefix**

First 1 to 4 characters of the tpipe names. (char[4]).

For more information on OTMA tpipe naming conventions, see *IMS Version 15.5 Communications and Connections*.



Attention: For the input fields **group_name**, **member_name**, and **partner_name**, all XCF names that are pointed to must be left justified, filled with blanks, and consist of legal upper case EBCDIC characters. If any of those naming rules are violated, underlying XCF errors will be reported.

Output

***anchor**

Pointer to the anchor word to receive the address of global storage.

***retrsn**

Pointer to the return code structure.

***ecb**

Pointer to the event control block to be posted when the open completes.

C-language function prototype

```
otma_open(  
    otma_anchor_t    *anchor           [in/out]  
    otma_retrsn_t    *retrsn,         [out]  
    ecb_t            *ecb,             [out]  
    otma_grp_name_t  *group_name,     [in]  
    otma_clt_name_t  *member_name,    [in]  
    otma_srv_name_t  *partner_name,   [in]  
    signed long int  *sessions,       [in]  
    unsigned char    *tpipe_name);    [in]
```

Post codes

The caller of the OPEN routine must check the ECB that was provided to OPEN. If this ECB is not already posted, the caller must wait for this ECB (for the OPEN protocol to complete).

0

XCF OPEN completes successfully.

4

IMS is not ready. Try again later.

8

Your XCF group and member are already active.

12

A system error occurred.

Return values (rc value)

The rc and reason are valid after ECB has been posted.

0

XCF JOIN was successful, client-bid was sent, and acknowledgment received. For the complete description of each error, see *IMS Version 15.5 Communications and Connections*.

4

IMS is not ready. Try again later.

8

Your XCF group and member are already active.

12

A system error occurred.

Related reference

[“otma_openx API” on page 529](#)

The `otma_openx` API is an extended version of the `otma_open` API, with additional features. The caller must call `otma_openx` to connect when IMS is available. The caller must wait on the ECB, that is posted when the connection is completed or when the attempt has failed. When IMS is not up or OTMA is not started the attempt will fail.

otma_openx API

The `otma_openx` API is an extended version of the `otma_open` API, with additional features. The caller must call `otma_openx` to connect when IMS is available. The caller must wait on the ECB, that is posted when the connection is completed or when the attempt has failed. When IMS is not up or OTMA is not started the attempt will fail.

Description

The extended features include:

- The ability to specify an OTMA DRU exit routine.
- Added capability for future enhancements to the API.

Invocation

Called by the client in TCB mode.

Input

Same as for the `otma_open` API, with two additional parameters:

*anchor

Pointer to the anchor word. If `otma_create` is not used to set up the anchor environment, the anchor word must be initialized with a zero.

*group_name

Pointer to the string containing the z/OS cross-system coupling facility (XCF) group name. (char[8])

*member_name

Pointer to the string containing the XCF member name for this member. (char[16])

*partner_name

Pointer to the string containing the XCF member name for IMS. (char[16])

*sessions

Number of parallel sessions that are intended to be supported with IMS. Long integer from 001 to 999.

*tpipe_prefix

First 1 to 4 characters of the tpipe names. (char[4]).

For more information on OTMA tpipe naming conventions, see *IMS Version 15.5 Communications and Connections*.

*ims_dru_name

Pointer to the string containing the user-defined OTMA User Data Formatting exit routine. This is an extended API parameter.

*special_options

Pointer to an area codifying non-standard options. Currently, there are no special options supported. Specify a NULL for this parameter. This is an extended API parameter.



Attention: For the input fields **group_name**, **member_name**, and **partner_name**, all XCF names that are pointed to must be left justified, filled with blanks, and consist of legal upper case EBCDIC characters. If any of those naming rules are violated, underlying XCF errors will be reported.

Output

*anchor

Pointer to the anchor word to receive the address of global storage.

*retrsn

Pointer to the return code structure.

*ecb

Pointer to the event control block to be posted when the open completes.

C-language function prototype

```
otma_openx(  
    otma_anchor_t      *anchor,           [out]  
    otma_retrsn_t     *retrsn,          [out]  
    ecb_t              *ecb,             [out]  
    otma_grp_name_t   *group_name,      [in]  
    otma_clt_name_t   *member_name,     [in]  
    otma_srv_name_t   *partner_name,    [in]  
    signed long int    *sessions,       [in]  
    tpipe_prfx_t      *tpipe_prefix,    [in]  
    otma_dru_name_t   *ims_dru_name,    [in]  
    otma_profile4_t   *special_options); [in]
```

Post codes

Same as for the `otma_open` API.

Return values (rc value)

Same as for the `otma_open` API.

Related reference

[“otma_open API” on page 528](#)

The caller must call `otma_open` to connect when IMS is available. The caller must wait on the ECB, that is posted when the connection is completed or when the attempt has failed. When IMS is not up or OTMA is not started the attempt will fail.

otma_alloc API

The `otma_alloc` API is called to create an independent session to exchange messages.

Invocation

Called by the client in TCB mode.

Input

*anchor

Pointer to anchor word that was set up by `otma_open`.

*username

Pointer to string holding the RACF username for transaction commands.

For calls from authorized programs, the input username is trusted and passed to IMS. For calls from unauthorized programs, OTMA C/I invokes a RACF call with the current accessor environment element (ACEE) context to obtain the username. The input username, if any, will be ignored. A NULL can be specified for callers from unauthorized programs.

*transaction

Name of IMS transaction or command to be sent to IMS.

If the IMS command entered is longer than eight characters, the first eight characters of the command can be provided in this parameter. The rest of the characters of the command need to be provided in the beginning of the send buffer of the subsequent `otma_send_receive` API.

If this parameter is left blank, then the IMS transaction name or command must be specified (left aligned) in the beginning of the send buffer of the subsequent `otma_send_receive` API.

*prfname

Pointer to a string holding the RACF group name for transactions/commands.

*special_options

Pointer to the processing options for the subsequent `otma_send_receive` or `otma_send_receivex` API call. The supported processing options include:

Bit 0

SyncOnReturn - with this option, IMS is asked to process the message without the z/OS Resource Recovery Services (RRS) context token; in this case, the user ID is obtained when RRS CTXRDTA is invoked.

Bit 1

SyncLevel1 - with this option, OTMA `send_then_commit` sync level 1 is used instead of sync level 0, which is the default for OTMA C/I. Refer to the DFSYCO header file for additional information.

Output

***retrsn**

Pointer to return code structure.

***session_handle**

Pointer to session handle that uniquely identifies the session for the subsequent `otma_send_receive`.

C-language function prototype

```
otma_alloc(  
    otma_anchor_t *anchor,           [in]  
    otma_retrsn_t *retrsn,          [out]  
    sess_handle_t *session_handle,  [out]  
    otma_profile_t *special_options, [in]  
    tran_name_t *transaction,       [in]  
    racf_uid_t *username,           [in]  
    racf_prf_t *prfname);          [in]
```

Return values (rc value)

The rc and reason are valid after ECB has been posted. For the complete description of each error, see *IMS Version 15.5 Communications and Connections*.

0

Success.

4

Session limit reached.

8

Null anchor.

otma_send_receive API

The `otma_send_receive` API is invoked to initiate a message exchange with IMS.

Description

The caller gives buffer definitions for both send and receive. Both send buffer and receive buffer information is provided. By providing receive information at the same time as send there are no unexpected messages from IMS, greatly simplifying the protocol. When the reply arrives from IMS the ECB will be posted. All the work of buffer management is handled in the message exit routine.

An extended version of the `otma_send_receive` API, which is called `otma_send_receivex`, provides extended functionality.

Invocation

Called by the client in TCB mode.

Input

***anchor**

Pointer to anchor word that was set up by `otma_open`.

***session_handle**

Pointer to session handle for `tpipe` returned by `otma_alloc`.

***lterm**

Pointer to `lterm` name field. On input is passed to IMS. Will be updated on output to `lterm` field returned by IMS. Can be blank in both cases.

***modname**

Pointer to MODname name field. On input is passed to IMS. Will be updated on output to MODname field returned by IMS. May be blank in both cases.

If the input modname is DFSM01, DFSMO2, or DFSMO5, it will be treated as blanks.

***send_buffer**

Pointer to the data to be sent to IMS. When a NULL is specified for the transaction parameter, the client code must provide the transaction name or command, and a blank, to the data in this buffer when sending to IMS.

***send_length**

Length of send data.

***send_segment_list**

An array of lengths of message segments to be sent to IMS. First element is count of following segment lengths. Optional: If a single segment is to be sent, either the first element or the address of the array can be zero.

***receive_buffer**

Pointer to buffer to receive reply message from IMS.

***receive_length**

Length of buffer available to receive message.

***receive_segment_list**

An array to hold the number of segments sent by IMS. First element must be set as the number of elements in the array. Optional: If a single segment is to be received, either the first element or the address of the array can be zero. In which case all segments will be received contiguously without indication of segmentation boundaries.

***context_id**

Null or Distributed Sync Point Context ID from z/OS Resource Recovery Services.

- For an authorized caller, OTMA C/I passes the Context ID directly to IMS and does not validate the Context ID data.
- For an unauthorized caller, OTMA C/I invokes the CTXSWCH call to disassociate the token and to validate if the token is current for a task. When OTMA C/I receives a response from IMS, it switches the context back onto the task before returning control to the caller.

Output***retrsn**

Pointer to return code structure.

***ecb Event**

Control block to be posted when the message exchange is complete.

***received_length**

Field to receive length of data received to `receive_buffer`. Should be equal to the sum of the segment lengths.

***receive_segment_list**

An array of lengths of message segments received from IMS. First element is count of following segment lengths and must be set by client to indicate maximum length of array. It will be modified by receive.

***error_message**

Address of the pointer to the error message field. It is provided by the user to receive error or informational messages from IMS. If the post code returns a 20, then this field will contain data.

C-language function prototype

```
otma_send_receive(
    otma_anchor_t *anchor,           [in]
    otma_retrsn_t *retrsn,         [out]
```

ecb_t	*ecb,	[out]
sess_handle_t	*session_handle,	[in]
lterm_name_t	*lterm,	[in/out]
mod_name_t	*modname,	[in/out]
char	*send_buffer,	[in]
data_leng_t	*send_length,	[in]
ioseg_list_t	*send_seg_list,	[in]
char	*receive_buffer,	[in]
data_leng_t	*receive_length,	[in]
data_leng_t	*received_length,	[out]
ioseg_list_t	*receive_segment_list,	[in/out]
context_t	*context_id,	[in]
char	*error_message);	[out]

Post codes

- 0** Normal completion.
- 8** No anchor/bad session handle/segment too large.
- 12** Send failed.
- 16** Receive has been canceled.
- 20** Error from IMS.

Return values (rc value)

The rc and reason are valid after ECB has been posted. For the complete description of each error, see *IMS Version 15.5 Communications and Connections*.

- 0** Normal completion.
- 8** No anchor/bad session handle/segment too large.
- 12** Send failed.
- 16** Receive has been canceled.
- 20** Error from IMS.

otma_send_receivex API

The `otma_send_receivex` API has the same functionality as the `otma_send_receive` API, but adds the extended ability to pass OTMA user data.

Invocation

Same as for the `otma_send_receive` API.

Input

Same as for the `otma_send_receive` API, with the following additional parameter:

***otma_user_data**

Pointer to the OTMA user data. The OTMA user data field can contain any user data that is used to identify the user input, or to correlate input with output. If a value is specified in this field, the data is sent to IMS. IMS user exits OTMAIOED and DFSYDRU0 can read or change the data. The data is returned to the user if the `otma_receive_async` API with `otma_user_data` is issued.

If there is no OTMA user data, specify a NULL for this field.

Output

Same as for the `otma_send_receive` API.

C-language function prototype

```
otma_send_receivex(  
    otma_anchor_t  *anchor,           [in]  
    otma_retrsn_t *retrsn,          [out]  
    ecb_t          *ecb,             [out]  
  
    sess_handle_t *session_handle,   [in]  
    lterm_name_t  *lterm,            [in/out]  
    mod_name_t    *modname,         [in/out]  
  
    char          *send_buffer,      [in]  
    data_leng_t   *send_length,     [in]  
    data_leng_t   *send_segment_list, [in]  
  
    char          *receive_buffer,   [in]  
    data_leng_t   *receive_length,  [in]  
    data_leng_t   *received_length, [out]  
    data_leng_t   *receive_segment_list, [in/out]  
    context_t     *context_id,      [in]  
  
    char          *error_message,    [out]  
    otma_user_t   *otma_userdata);  [in/out]
```

Post codes

Same as for the `otma_send_receive` API.

Return values (rc value)

Same as for the `otma_send_receive` API.

otma_send_receivey API

The `otma_send_receivey` API has the same functionality as the `otma_send_receivex` API, but adds the extended ability to pass distributed network security credentials.

Invocation

Same as for the `otma_send_receivex` API.

Input

Same as for the `otma_send_receivex` API, with the following additional parameters:

***network_userid length**

Length of distributed network user ID. The maximum length is 100 bytes.

***network_userid**

Pointer to the distributed network userid.

If there is no data, specify NULL for this field.

*network session id length

Length of distributed network session ID. The maximum length is 100 bytes.

*network session id

Pointer to the distributed network session ID.

If there is no data, specify NULL for this field.

Output

Same as for the `otma_send_receivev` API.

C-language function prototype

```
otma_send_receivev(  
    otma_anchor_t *anchor,           [in]  
    otma_retrsn_t *retrsn,          [out]  
    ecb_t *ecb,                     [out]  
  
    sess_handle_t *session_handle,  [in]  
    lterm_name_t *lterm,            [in/out]  
    mod_name_t *modname,            [in/out]  
  
    char *send_buffer,               [in]  
    data_leng_t *send_length,        [in]  
    data_leng_t *send_segment_list,  [in]  
  
    char *receive_buffer,            [in]  
    data_leng_t *receive_length,     [in]  
    data_leng_t *received_length,    [out]  
    data_leng_t *receive_segment_list, [in/out]  
    context_t *context_id,           [in]  
  
    char *error_message,             [out]  
    otma_user_t *otma_userdata,      [in/out]  
    char *network_userid,            [in]  
    data_leng_t *network_userid_length, [in]  
    char *network_session_id,        [in]  
    data_leng_t *network_session_id_length); [in]
```

Post codes

Same as for the `otma_send_receivev` API.

Return values (rc value)

Same as for the `otma_send_receivev` API.

Related reference

[“otma_send_receivev API” on page 534](#)

The `otma_send_receivev` API has the same functionality as the `otma_send_receive` API, but adds the extended ability to pass OTMA user data.

otma_send_async API

The `otma_send_async` API is invoked to send a transaction or command to IMS.

Invocation

Called by the client in TCB mode.

Restriction: This API cannot be used to submit an IMS fast path transaction, a protected transaction (the transactions with z/OS Resource Recovery Services context IDs), or an IMS conversational transaction. For these three types of transactions, use the `otma_send_receive` API instead.

Input

***anchor**

Pointer to anchor word that was set up by `otma_open`.

***lterm**

Pointer to `lterm` name field. If there is no input `lterm`, specify a NULL.

***modname**

Pointer to `MODname` name field. If there is no input `MODname`, specify a NULL.

***otma_user_data**

Pointer to the OTMA user data. This 1022-byte field is optional. The OTMA user data field can contain any data that is used to identify your input, or to correlate input with output. If a value is specified in this field, the data is sent to IMS. IMS user exits `OTMAIOED` and `DFSYDRU0` can read or change the data. The data is returned if the `otma_receive_async` API with `otma_user_data` is issued.

If there is no OTMA user data, specify a NULL for this field.

***prfname**

Pointer to string holding the RACF group name for transaction commands. This parameter is optional. If there is no input RACF group name, specify a NULL.

***send_buffer**

Pointer to the data to be sent to IMS. When a NULL is specified for the transaction parameter, the client code must provide the transaction name or command, and a blank, to the data in this buffer when sending to IMS.

***send_length**

Length of send data.

***send_segment_list**

An array of lengths of message segments to be sent to IMS. This parameter is required for multi-segment input messages. If specified, the first element needs to contain the count of total input segments. This field is optional for single segment input. If a single segment is to be sent, either the first element or the address of the array can be zero.

***special_options**

Pointer to an area codifying non-standard options. Currently, no special options are supported. Specify a NULL for this parameter.

***tpipe_name**

Pointer to OTMA `tpipe` name field. This name must be different from the `tpipe` name specified for the `otma_create` and `otma_open` APIs.

***transaction**

Name of IMS transaction or command to be sent to IMS.

If the IMS command entered is longer than eight characters, the first eight characters of the command can be provided in this parameter. The rest of the characters of the command need to be provided in the beginning of the send buffer.

If NULL or blanks are specified in this parameter, OTMA C/I expects you to include the IMS transaction name or command in the beginning of the send buffer.

***username**

Pointer to a string holding the RACF username for transaction/commands.

For calls from authorized programs, the input username is trusted and passed to IMS. For calls from unauthorized programs, OTMA C/I invokes a RACF call with the current accessor environment element (ACEE) context to obtain the username. The input username, if any, will be ignored. A NULL can be specified for callers from unauthorized programs.

Output

***ecb Event**

Event control block to be posted when IMS receives or rejects the input.

***error_message**

Address of the pointer to the error message field. You provide this address to receive error or informational messages from IMS. If the post code returns a 20, then this field will contain data.

***retrsn**

Pointer to the return and reason code structure. If IMS OTMA rejects the input, the NAK code and its associated reason code are available in OTMA C/I reason codes 2 and 3. See *IMS Version 15.5 Messages and Codes, Volume 2: Non-DFS Messages* for an explanation of the NAK code.

C-language function prototype

```
otma_send_async(  
    otma_anchor_t *anchor,           [in]  
    otma_retrsn_t *retrsn,         [out]  
    ecb_t *ecb,                    [out]  
  
    tpipe_name_t *tpipe_name,      [in]  
    tran_name_t *transaction,      [in]  
    racf_uid_t *username,          [in]  
    racf_prf_t *prfname,          [in]  
    lterm_name_t *lterm,          [in]  
    mod_name_t *modname,          [in]  
    otma_user_t *otma_userdata,    [in]  
  
    char *send_buffer,             [in]  
    data_leng_t *send_length,      [in]  
    data_leng_t *send_segment_list[], [in]  
    char *error_message,          [out]  
    void *special_options);       [in]
```

Post codes

- 0** Normal completion.
- 8** Invalid input.
- 12** Input failed.
- 16** Input canceled (IMS is down or OTMA is stopped).
- 20** Error or information message from IMS.

Return values (rc value)

The rc and reason are valid after ECB has been posted. For the complete description of each error, see *IMS Version 15.5 Communications and Connections*.

- 0** Normal completion.
- 8** No anchor/bad input.
- 12** Send failed.
- 16** Input canceled (IMS is down or OTMA is stopped).
- 20** Error or information message from IMS.

otma_send_asyncx API

The `otma_send_asyncx` API has the same functionality as the `otma_send_async` API, but adds the extended ability to pass distributed network security credentials.

Invocation

Same as for the `otma_send_async` API.

Input

Same as for the `otma_send_async` API, with the following additional parameters:

*network_userid_length

Length of distributed network user ID. The maximum length is 100 bytes.

*network_userid

Pointer to the distributed network user ID.

If there is no data, specify NULL for this field.

*network_session_id_length

Length of distributed network session ID. The maximum length is 100 bytes.

*network_session_id

Pointer to the distributed network session ID.

If there is no data, specify NULL for this field.

Output

Same as for the `otma_send_async` API.

C-language function prototype

```
otma_send_asyncx(  
    otma_anchor_t *anchor,           [in]  
    otma_retrsn_t *retrsn,          [out]  
    ecb_t *ecb,                     [out]  
  
    tpipe_name_t *tpipe_name,       [in]  
    tran_name_t *transaction,       [in]  
    racf_uid_t *username,           [in]  
    racf_prf_t *prfname,           [in]  
    lterm_name_t *lterm,            [in]  
    mod_name_t *modname,            [in]  
    otma_user_t *otma_userdata,     [in]  
  
    char *send_buffer,               [in]  
    data_leng_t *send_length,        [in]  
    data_leng_t *send_segment_list[], [in]  
    char *error_message,             [out]  
    void *special_options,           [in]  
  
    char *network_userid,            [in]  
    data_leng_t *network_userid_length, [in]  
    char *network_session_id,        [in]  
    data_leng_t *network_session_id_length); [in]
```

Post codes

Same as for the `otma_send_async` API.

Return values (rc value)

Same as for the `otma_send_async` API.

Related reference

[“otma_send_async API” on page 536](#)

The `otma_send_async` API is invoked to send a transaction or command to IMS.

otma_receive_async API

The `otma_receive_async` API is invoked to receive an IMS output message or an unsolicited message. The caller provides the buffer definitions to receive the IMS message. When the IMS message arrives, the ECB is posted.

Invocation

Called by the client in TCB mode.

Input

***anchor**

Pointer to anchor word that was set up by `otma_open`.

***tpipe_name**

Pointer to OTMA tpipe name field. This name must be different from the tpipe name specified for the `otma_create` and `otma_open` APIs.

receive_length

Length of buffer available to receive message.

Output

***ecb Event**

Event control block to be posted when IMS receives the reply.

***error_message**

Address of the pointer to the error message field. You provide this address to receive error or informational messages from IMS. If the post code returns a 20, then this field will contain data.

***lterm**

Pointer to `lterm` name field. Can be updated with `lterm` value that is returned by IMS.

***modname**

Pointer to `MODname` name field. Can be updated with `MODname` value that is returned by IMS.

***otma_user_data**

Pointer to the OTMA user data. This 1022-byte field is optional. If the field is specified and IMS returns the OTMA user data, the data is passed back to the caller.

The OTMA user data received is either provided in the `otma_send_async` API or created by the IMS DRU exit `DFSYDRU0`.

***receive_buffer**

Pointer to buffer to receive reply message from IMS.

***received_length**

Field to receive length of data received to `receive_buffer`. Should be equal to the sum of the segment lengths.

***receive_segment_list**

An array of lengths of message segments received from IMS. The client must set the first element to indicate the maximum number of message segments that can be received. After all the segments are received, the first array element indicates the actual number of segments received, and the rest of the array elements indicate the length of each segment received.

***retrsn**

Pointer to the return and reason code structure.

***special_options**

Pointer to an area codifying non-standard options. Currently, no special are options supported. Specify a NULL for this parameter.

C-language function prototype

```
otma_receive_async(  
    otma_anchor_t *anchor,           [in]  
    otma_retrsn_t *retrsn,          [out]  
    ecb_t *ecb,                     [out]  
  
    tpipe_name_t *tpipe_name,       [in]  
    lterm_name_t *lterm,            [out]  
    mod_name_t *modname,           [out]  
    otma_user_t *otma_userdata,     [out]  
  
    char *receive_buffer,           [out]  
    data_leng_t *receive_length,    [in]  
    data_leng_t *received_length,   [out]  
    data_leng_t *receive_segment_list[], [in/out]  
  
    void *special_options);        [in]
```

Post codes

0

Normal completion.

12

Receive failed.

Return values (rc value)

The rc and reason are valid after ECB has been posted. For the complete description of each error, see *IMS Version 15.5 Communications and Connections*.

0

Normal completion.

8

No anchor/bad session handle/segment too large.

12

Send failed.

otma_free API

The `otma_free` API is called to free an independent session created by `otma_alloc`.

Invocation

Called by the client in TCB mode.

Input

***anchor**

Pointer to anchor word returned by `otma_open`.

***session_handle**

Pointer to session handle returned by `otma_alloc`.

Output

***retrsn**

Pointer to return code structure.

***session_handle**

Pointer to session handle will be nulled by `otma_free`.

C-language function prototype

```
otma_free(  
    otma_anchor_t *anchor,          [in]  
    otma_retrsn_t *retrsn,         [out]  
    sess_handle_t *session_handle); [in/out]
```

Return values (rc value)

The rc and reason are valid after ECB has been posted. For the complete description of each error, see *IMS Version 15.5 Communications and Connections*.

0

Success.

4

Not allocated session.

8

Incorrect anchor.

otma_close API

The `otma_close` API is called to free storages for communication and to leave the z/OS cross-system coupling facility (XCF) group. This function may be called when communications are in flight or an open is processing. In these cases all relevant ECBs will be posted with a canceled post code.

Invocation

Called by the client in TCB mode.

Input

***anchor**

Pointer to anchor word returned by `otma_open`.

Output

***anchor**

Pointer to anchor word returned by `otma_open`.

***retrsn**

Pointer to return code.

C-language function prototype

```
otma_close(  
    otma_anchor_t *anchor, [in/out]  
    otma_retrsn_t *retrsn); [out]
```

Return values (rc value)

The rc and reason are valid after ECB has been posted. For the complete description of each error, see *IMS Version 15.5 Communications and Connections*.

- 0 Success.
- 4 Null anchor.
- 8 Cannot leave the XCF group.

OTMA C/I sample programs

The following two sample C programs are for display purposes only.

Warranty and distribution for OTMA C/I sample programs

The OTMA C/I sample programs have warranty and distribution restrictions.

The code is provided "AS IS." IBM makes no warranties, express or implied, including but not limited to the implied warranties of merchantability and fitness for a particular purpose, regarding the function or performance of this code. IBM shall not be liable for any damages arising out of your use of the sample code, even if they have been advised of the possibility of such damages.

The sample code can be freely distributed, copied, altered, and incorporated into other software, provided that it bears the following Copyright notices and DISCLAIMER OF WARRANTIES intact.

```
(c) Copyright IBM Corp.
2000 All Rights Reserved. Licensed Materials - Property of IBM
DISCLAIMER OF WARRANTIES.
```

```
The following "enclosed" code is sample code created by IBM Corporation.
This sample code is not part of any standard or IBM product and is provided
to you solely for the purpose of assisting you in the development
of your applications.
```

OTMA C/I sample program for synchronous processing

The program below shows how to use the OTMA C/I for synchronous (one in-one out) processing.

In this sample program, the `otma_send_receive` API is used to send and receive IMS data.

```
#pragma langlvl(extended)
/*****
/*
/* Callable Interface sample program using synchronous APIs
/*
/* Parameters:
/* Server Name
/* Client Name
/* User Name
/* Iterations
/* Transaction
/* User Group
/* OTMA Data
/*
/* Note: The send buffer is sent as a file with a ddname of
/* SENDBUFn in the invoking JCL.
/*
/* Example: //SENDBUF0 DD *,DLM=$$
/* SEND OTMA TO SKS1
/* $$
/*
/* Note: COMPAR1 is the DDNAME of an input file used to compare
/* actual output with expected output. '?' is used to delimit
/* the compare string and '|' is used to ignore a char compare
/*
/* Example: //COMPAR0 DD *,DLM=$$
/* SEND OTMA TO SKS1?
/* $$
/*
*****/
```

```

/*****/
/*  Entry... */
/*  */
/*  This test program is callable from JCL */
/*  */
/*  //NA10TMA JOB CLASS=A,MSGLEVEL=(1,1),MSGCLASS=H,REGION=2M */
/*  //***** */
/*  //** PARM=server_member_name tpipe_name client_member_name */
/*  //** iterations command groupid OTMA_Data */
/*  //MINISAMP EXEC PGM=NA10TMA, */
/*  // PARM='TRAP(OFF)/IMS61CR1 IMSTESR G214992 1 /DISP groupid */
/*  // OTMAData' */
/*  //STEPLIB DD DISP=SHR,DSN=OTMA.TEST.LOAD */
/*  //SYSUDUMP DD SYSOUT=* */
/*  //STDOUT DD SYSOUT=* */
/*  //STDERR DD SYSOUT=* */
/*  //CEEDUMP DD SYSOUT=* */
/*  //COMPAR1 DD *,DLM=$$ */
/*  EXPECTED OUTPUT GOES HERE */
/*  $$ */
/*  //SENDBUFO DD *,DLM=$$ */
/*  SEND DATA GOES HERE */
/*  $$ */
/*  */
/*  Note: TRAP(OFF)/ Passes LE run-time option TRAP(OFF) which turns */
/*  off LE condition handling. To get a LE dump on abend set */
/*  TRAP ON and provide a CEEDUMP DDNAME. */
/*  */
/*  Note: COMPAR1 is the DDNAME of an input file used to compare */
/*  actual output with expected output. '?' is used to delimit */
/*  the compare string and '|' is used to ignore a char compare*/
/*  */
/*****/

/*****/
/* An example for using the OTMA Client API in C lang. */
/* This program is broken into the following parts: */
/* Declarations for special support */
/* Process invocation parameters */
/* Setup for C signal handling */
/* Do XCF open processing and analysis */
/* Do session allocate processing */
/* Execute a command or transaction per invocation parm */
/* Do session free processing */
/* Do close */
/* End */
/*****/

/*****/
/* API's for non-authorized OTMA caller */
/*****/
#include "dfsyc0.h" /* Non-authorized OTMA API's */
#include <stdlib.h> /* Standard C Header file */
#include <stddef.h> /* Standard C Header file */
#include <stdio.h> /* Standard C Header file */

/*****/
/* Internal functions */
/*****/
int memc(char *comp_buf, char *rec_buf1 );

/* macro to move string to blank filled left justified char field */
#define splat(t,s) \
{ \
memset((char*)&(t),' ',sizeof(t)); \
strncpy((char*)&(t), s ,strlen(s));}

/* standard math routines */
#define min(a,b) ((a)<(b)?(a):(b))
#define max(a,b) ((a)>(b)?(a):(b))

main(int argc,char *argv[])
{
/* Following fields used by all Functions */

otma_anchor_t anchor; /* Handle returned by create */
/* and used by all others. */
otma_retrsn_t retrsn; /* Return code returned by all. */
long int retsave; /* Return code save area */

/* Following fields used by several Functions */

```

```

sess_handle_t    sess_handle;    /* Handle returned by allocate    */
                /* used by send_receive and free. */
otma_grp_name_t  grp_name;       /* API XCF Group Member Name.    */
otma_clt_name_t  clt_name;       /* API XCF Client Member Name.   */
otma_srv_name_t  srv_name;       /* API XCF Server Member Name.   */
                /* (the IMS XCF member name).    */
racf_uid_t       userid;         /* Our z/OS logon ID.            */
racf_prf_t       groupid;        /* RACF Group ID                 */
otma_user_t      otma_data;      /* Otma Data                     */

lterm_name_t    lterm;           /* Lterm name                    */
mod_name_t      modname;         /* ModName                       */

unsigned char error_message_text[120]; /* IMS error msg field          */
                /* A place to receive any IMS    */
                /* DFS error messages.         */
unsigned char *error_message = (unsigned char*)&error_message_text;
                /* a pointer to which is parameter */
                /* on send_receive.        */

char            *tran;           /* Transaction Name / IMS Command */
tran_name_t     tran_name;      /* Transaction Name / IMS Command */

#define BUFFER_LEN 4096          /* set our buffer sizes          */
#define NUM_BUFFER 60
#define COM_BUFFER 80
#define GROUP_NAME "HARRY"      /* Set XCF group name to join    */

char compare_buf[NUM_BUFFER + 1]; /* Compare buffer                */
int long        buffer_length = 0;
int long        rec_buffer_len = BUFFER_LEN;
char            rec_buf[BUFFER_LEN];
long int        rec_data_len = 0;
char            send_buf[BUFFER_LEN];
char            temp_buf[NUM_BUFFER];

context_t       context = {0x00000000000000000000000000000000};
                /* This test is not distributed sync point. */
                /* Too complicated for here.          */
                /* Normally this is obtained from RRS    */

/*****
/* The callable interface makes use of z/OS Event Control Blocks. */
/* Any language which call the interface must deal with this.    */
*****/

unsigned long *(ecb_list[2]);    /* z/OS pause stuff              */
unsigned long **pecb_list;

ecb_t          ecbOPEN   = 0L;   /* ecb to be posted by OTMA API  */
ecb_t          ecbIO     = 0L;   /* ecb to be posted by OTMA API  */
ecb_t          signal    = 0L;   /* ecb to be posted by C runtime  */

ecb_t          temp_ecb  = 0L;   /* used by compare and swap      */
ecb_t          reset_ecb = 0L;   /* used by compare and swap      */

/*****
/* Local variables
*****/

int            iterations;
int            loop_count;
int            compare_result;
long int       retcode;

signed long    sessions;        /* number of sessions to support  */
tpipe_prfx_t  tpipe_prefix;     /* first part of tpipe NAME       */

FILE * stream;
int num;        /* number of characters read from stream */

/*****
/* To support test functions - names of parms
/* Print the parms out for documentation
*****/

char * argdefs[8]={ "pgm name",    /* 1
                   "server name", /* 2
                   "client name", /* 3
                   "userid",      /* 4

```

```

        "iterations " ,          /* 5          */
        "transaction",         /* 6          */
        "group id " ,          /* 7          */
        "otma data " ,         /* 8          */
    };

/*****
/* Declare an array of compare file ddnames to          */
/* compare actual output received with expected output. */
*****/

char * infiledd[4]={ "DD:COMPAR0" ,          /* 1          */
                    "DD:COMPAR1" ,          /* 2          */
                    "DD:COMPAR2" ,          /* 3          */
                    "DD:COMPAR3" ,          /* 4          */
                    };

/*****
/* Declare an array of send file ddnames to          */
/* send application data to OTMA.                    */
*****/

char * sndfiledd[4]= { "DD:SENDBUF0" ,          /* 1          */
                      "DD:SENDBUF1" ,          /* 2          */
                      "DD:SENDBUF2" ,          /* 3          */
                      "DD:SENDBUF3" ,          /* 4          */
                      };

/* ----- */
/* Announce the startup of the test program.          */
/* ----- */
printf("Otmci01 Starting, version %s %s\n" , __DATE__ , __TIME__ );

/* ----- */
/* z/OS Pause Init - do this first, in case it fails bail out. */
/* This sets up a C environment for signaling from the API.      */
/* ----- */

ecb_list[0] = (unsigned long *) &(signal); /* post by C signal */
ecb_list[1] = (unsigned long *)          /* post by OTMA */
              ((unsigned long)&(ecbOPEN) |
               (unsigned long)0x80000000); /* end of list */
pecb_list = &ecb_list[0]; /* pointer to list */
/* define callable I/F */

/*****
/* Begin Test Case..          */
/* Announce the startup of the test program.          */
*****/
printf("OTMCI01 Run Date: %s Run Time: %s\n" , __DATE__ , __TIME__ );

/*****
/* Process parms/command line arguments.              */
*****/

/* First, print the parameters. */
printf("Invocation parameters = \n");
for (i=1 ; i<(min(8,argc));i++)
{
    printf("%d %s = " , i , argv[i]);
    printf("%s.\n" , argv[i]);
}

if (argc>1) splat( srv_name , argv[1]) /* XCF memname of IMS */
else       splat( srv_name , "IMS61CR1"); /* hard coded default */
if (argc>2) splat( clt_name , argv[2]) /* Client name */
else       splat( clt_name , "XCFTEST" ); /* hard coded default */
if (argc>3) splat( userid , argv[3]) /* ID to use */
else       splat( userid , "XCFTEST" ); /* hard coded default */
if (argc>4) iterations = atoi(argv[4]); /* loop count */
else       iterations = 1; /* hard coded default */
if (argc>5) tran = argv[5]; /* Transaction/IMS CMD*/
else       tran = ""; /* hard coded default */
if (argc>6) splat( groupid , argv[6]) /* Group ID to use */
else       splat( groupid , " " ); /* hard coded default */
if (argc>7) splat( otma_data , argv[7]) /* OTMA Data */
else       splat( otma_data , "" ); /* hard coded default */

/* ----- */
/* Open the file with the ddname SENDBUF0 supplied in the          */
/* JCL which invoked this C driver. Then read the file into          */
/* temp_buf.                                                         */

```

```

/* -----*/
if ( ( stream = fopen("DD:SENDBUF0","rb") ) != NULL )
{
    num = fread( temp_buf, sizeof( char ), NUM_BUFFER, stream );
    printf("BUFF SIZE = %d.\n", num);
    if (num == NUM_BUFFER) {
        printf( "Number of characters read = %i\n", num );
        fclose( stream );
    }
    else {
        if ( ferror(stream) )
            printf( "Error reading DDNAME sendbuf0/n");
        else if ( feof(stream)) {
            printf( "EOF found\n" );
            printf( "Number of characters read %d\n", num );
            printf( "temp_buf = %.*s\n", num, temp_buf);
            fclose( stream );
        }
    }
}
else
    printf( "ERROR opening DDNAME sendbuf0/n" );

/* Initialize API parameters and buffers. */
splat( grp_name, GROUP_NAME ); /* XCF Group Name */
splat( tpipe_prefix, "TPAS" ); /* tpipe Prefix Name */
splat( tran_name, tran ); /* do scan here */
strcat(send_buf, temp_buf,num); /* Copy temp_buf into send_buf */
buffer_length = strlen(send_buf); /* Set send buffer length */

/*****
/* Example of setting up parms to Open the XCF Link
*****/

    retrsn.ret = -1;
    retrsn.rsn[0] = -1;
    retrsn.rsn[1] = -1;
    retrsn.rsn[2] = -1;
    retrsn.rsn[3] = -1;

    sessions = 10; /* OTMA supports multiple parallel */
                  /* sessions (TPIPES) How many do you want?*/

/*****
/*BEGIN:
/* We have a CREATE function to set up storage and
/* an OPEN function to start the protocol.
/* If you do not need to customize the environment you can start
/* with the OPEN function, the CREATE will be done by OPEN.
*****/

    printf("-\n");
    otma_create(&anchor, /* (out) ptr to addr to receive anchor*/
               &retrsn, /* (out) return code */
               (ecb_t *) &ecbOPEN, /* not posted by create but stored */

               &grp_name, /* (in) ptr to valid groupname */
               &clt_name, /* (in) Our member name */
               &srv_name, /* (in) Our server name */

               &sessions, /* (in) number of sessions to support*/
               &tpipe_prefix /* (in) first part of tpipe name */
               );

    printf("OTMA_CREATE issued. ret = %d rsn = %.8x,%.8x,%.8x,%.8x\n"
           " anchor is at %.8x.\n",
           retrsn.ret,
           retrsn.rsn[0],
           retrsn.rsn[1],
           retrsn.rsn[2],
           retrsn.rsn[3],
           anchor);

    printf("-\n");

/*****
/* Connect to IMS
*****/

    otma_open(&anchor, /* out ptr to addr to receive anchor */

```

```

    &retrsn,          /* out return code          */
    (ecb_t *)&ecbOPEN, /* out posted by open if failure */
                        /* else posted by exit pgm      */
    &grp_name,        /* in ptr to valid XCF groupname */
    &clt_name,        /* in Our member name           */
    &srv_name,        /* in Our server name           */

    &sessions,        /* in number of sessions to support */
    &tpipe_prefix     /* in first part of tpipe name     */
);

printf("OTMA_OPEN issued. ret = %.8x rsn = %.8x,%.8x,%.8x,%.8x\n"
      " Waiting for ecb at %.8x.=%.8x.\n",
      retrsn.ret,
      retrsn.rsn[1],
      retrsn.rsn[2],
      retrsn.rsn[3],
      ecb_list[1],
      *ecb_list[1]
);

printf("-\n");

/* ----- */
/* Here we wait for Open to signal complete          */
/* ----- */
DFSYSWAT(ecb_list[1]); /* WAIT on ecb */

printf("OPEN_OTMA done. ret = %.8x rsn = %.8x,%.8x,%.8x,%.8x \n"
      "\nEcb at %.8x.= %.8x.\n",
      retrsn.ret,
      retrsn.rsn[0],
      retrsn.rsn[1],
      retrsn.rsn[2],
      retrsn.rsn[3],
      ecb_list[1], *ecb_list[1]
);

printf("Local Area Anchor at %8.8X = %8.8X\n",
      &anchor, anchor);

printf("-\n");

/* ----- */
/* The post code from open indicates success or failure */
/* ----- */
if (0!=(0x00ffffff & ecbOPEN))
{
    printf("OPEN_OTMA ecb is posted failure.\n");
    return(retrsn.rsn[0]);
}

/* ----- */
/* Set userid to blanks if userid = bobdavis          */
/* ----- */

printf(" Trans = %.8s,\n ", tran_name );
printf(" Userid = %.8s,\n ", userid );
printf("Groupid = %.8s,\n ", groupid );

/*****
/* Like CREATE the ALLOC function just creates control blocks */
/* and stores data in them. Other functions may be invented */
/* to modify these structures before the command-of-execution,*/
/* SEND_RECEIVE is issued. */
*****/

otma_alloc(
    &anchor,          /* in ptr to global word */
    &retrsn,         /* out rc,reason(1-4)    */

    &sess_handle,    /* out session id        */
    NULL,            /* in default overrides  */

    &tran_name,      /* in IMS tp name or cmd */
    &userid,         /* in RACFid or blanks  */
    &groupid         /* in RACF group id or blnk*/
);

printf("OTMA_ALLOC done. ret = %.8x rsn = %.8x,%.8x,%.8x,%.8x\n",
      retrsn.ret,
      retrsn.rsn[0],

```



```

        retrsn.rsn[1],
        retrsn.rsn[2],
        retrsn.rsn[3]
    );

/*****
/* Even if ALLOC fails we go on here just to prove the */
/* API will reject the call. */
*****/

/*****
/* This is the call that sends the data and prepares to */
/* receive the answer from IMS. */
/* This test program can iterate with multiple calls here. */
*****/

/* __Send message wait for reply_____ */
for (loop_count = 0 ; loop_count<iterations ; loop_count++)
{
    /* __Change the environment to wait for ecbIO */
    ecbIO = 0; /* clear ecb for reuse */
    ecb_list[1] = (unsigned long *) /* posted by OTMA */
        ((unsigned long)&(ecbIO) |
         (unsigned long)0x80000000); /* end of list */

    if (loop_count != 0)
    {

        /* -----*/
        /* If looping more than once open the next file to send */
        /* and read it into the send_buf. */
        /* -----*/

        if (( stream = fopen(sndfiledd[loop_count],"rb")) != NULL )
        {
            num = fread( temp_buf, sizeof( char ), NUM_BUFFER, stream );
            printf("BUFF SIZE = %d.\n", num);
            if (num == NUM_BUFFER) {
                fclose( stream );
            }
            else {
                if ( ferror(stream) )
                    printf( "Error opening file\n" );
                else if ( feof(stream)) {
                    printf( "EOF found\n" );
                    printf( "Number of characters read %d\n", num );
                    printf( "temp_buf = %.*s\n", num, temp_buf);
                    fclose( stream );
                }
            }
        }
        else
            printf( "Error opening file %s\n", sndfiledd[loop_count]);
        /* Initialize send and receiving buffers. */
        memset(rec_buf ,0, sizeof(rec_buf));
        memset(send_buf ,0, sizeof(send_buf));
        strcat(send_buf, temp_buf );
        strcat(send_buf, " " );
        buffer_length = strlen(send_buf);
        printf("
        printf ("buffer length = %d\n", buffer_length);
    } /* end if loop_count != 0 */

    /* Print otma_send_receive parms and start of API */
    memset(error_message_text ,0, sizeof(error_message_text));
    printf("Send buf at %08x.\n", &send_buf);
    printf("Send buf = %s.\n", send_buf);
    printf("Receive buf at %08x.\n", &rec_buf);
    printf("Lterm = %08s.\n", lterm );
    printf("Modname = %08s.\n", modname );

    printf("-\n");
    otma_send_receive(
        &anchor, /* (in) anchor block */
        &retrsn, /* (out) return status */
        &ecbIO, /* (in) ecb address */

        &sess_handle, /* (in) session handle */
        &lterm, /* (in/out) logical terminal */
        &modname, /* (in/out) module name */

```

```

(unsigned char *) &send_buf,      /* (in)  send buffer      */
                  &buffer_length, /* (in)  size of send buffer */
                  0,              /* (in)  send_segment_list */

(unsigned char *) &rec_buf,      /* (in)  receive buffer   */
                  &rec_buffer_len, /* (in)  size of buffer   */
                  &rec_data_len,  /* (out) received data length */
                  0,              /* (in/out) receive seg list */

                  &context,      /* (in)  context id       */
                  &error_message, /* (out) ims message     */
                  &otma_data);   /* (in)  Otma Data        */

printf("OTMA_SEND done. ret = %.8x rsn = %.8x,%.8x,%.8x,%.8x\n",
       retrsns.ret,
       retrsns.rsn[0],
       retrsns.rsn[1],
       retrsns.rsn[2],
       retrsns.rsn[3]);

/* ----- */
/* Here we wait for receive to signal complete */
/* An application can go do other thing while IMS is processing and */
/* while the XCF scheduled SRBs are returning data to the caller's */
/* buffers. DO NOT DEALLOCATE THE BUFFERS WHILE THIS IS GOING ON! */
/* None of the output areas of the SEND_RECIEVE can be freed until */
/* the ECB is posted complete. */
/* ----- */

DFSVCWAT(ecb_list[1]);      /* WAIT on ecb          */

retsave = retrsns.ret;     /* Save Receive return code */

printf("OTMA_RECEIVE done. ret = %.8x rsn = %.8x,%.8x,%.8x,%.8x\n"
       "\nEcb at %.8x.= %.8x.\n",
       retrsns.ret,
       retrsns.rsn[0],
       retrsns.rsn[1],
       retrsns.rsn[2],
       retrsns.rsn[3],
       ecb_list[1],
       *ecb_list[1]
       );

if (retrsns.ret != 0)
{
    /* ___Error path Free allocated session _____ */
    printf("-error path retrsns.ret="
           "\n");
    printf("Error message = %s\n", error_message );
    otma_free(
        & anchor,      /* (out) ptr to global word */
        & retrsns,    /* (out) rc,reason (1-4)   */
        & sess_handle /* (in)  unique path id    */
    );

    printf("OTMA_FREE done. ret = %.8x rsn = %.8x,%.8x,%.8x,%.8x \n",
           retrsns.ret,
           retrsns.rsn[0],
           retrsns.rsn[1],
           retrsns.rsn[2],
           retrsns.rsn[3]
    );

    /* ___Sever IMS connection _____ */
    printf("-\n");
    otma_close(
        & anchor,      /* (in,out) tr to otma anchor */
        & retrsns     /* (out) rc,reason (1-4)     */
    );

    printf("OTMA_CLOSE done. ret = %.8x rsn = %.8x,%.8x,%.8x,%.8x\n",
           retrsns.ret,
           retrsns.rsn[0],
           retrsns.rsn[1],
           retrsns.rsn[2],
           retrsns.rsn[3]
    );

    return (retsave);      /* EXIT with receive API return code */
}

```

```

/* -----*/
/* If SEND_RECEIVE worked .. */
/* -----*/

/* -----*/
/* Open the compare file containing the expected output */
/* of the receive buffer. Compare the expected output */
/* with the actual output and return the result. */
/* -----*/

rec_buf[0] = ' '; /* Remove possible NL ie x'15' */
printf( "infiledd = %s\n", infiledd[loop_count] );

if ( ( stream = fopen(infiledd[loop_count],"rb") ) != NULL )
{
    num = fread( compare_buf, sizeof( char ), COM_BUFFER, stream );
    if (num == COM_BUFFER) { /* fread success */
        printf( "compare_buf = %s\n", compare_buf );
        printf( " rec_buf = %s\n", rec_buf );
        fclose( stream );
        compare_result = memcmp( compare_buf, rec_buf );
        printf( "compare_result = %d\n", compare_result );
        if (compare_result != 0)
            return(compare_result); /* Exit if NO COMPARE */
    }
    else { /* fread() failed */
        if ( ferror(stream) ) /* possibility 1 */
            printf( "Error reading file %s\n", infiledd[loop_count]);
        else if ( feof(stream) ) { /* possibility 2 */
            printf( "EOF found\n" );
            printf( "Number of characters read %d\n", num );
            printf( "compare_buf = %.s\n", num, compare_buf);
        }
    }
}
else
    printf( "Error opening file %s\n", infiledd[loop_count]);
}
/* end of loop */

/*****
/* Once a message is sent to IMS and the answer received it */
/* is usual to release the tpipe for use by other transactions. */
/* For conversational trans an application would keep using */
/* the handle to continue a conversational transaction with IMS. */
/* The Transaction name is specified in the ALLOC and it is */
/* intended that a FREE be done at the end of each transaction */
/* and a new ALLOC be done for the next one. This is not */
/* expensive. */
*****/

printf("-\n");
otma_free(
    & anchor, /* (out) ptr to global word */
    & retrsn, /* (out) rc,reason (1-4) */
    & sess_handle /* (in) unique path id */
);

printf("OTMA_FREE done. ret = %.8x rsn = %.8x,%.8x,%.8x,%.8x \n",
    retrsn.ret,
    retrsn.rsn[0],
    retrsn.rsn[1],
    retrsn.rsn[2],
    retrsn.rsn[3]
);

printf("-\n");

/*
/* Finally, CLOSE severs the connection with IMS and frees the */
/* Storage used by the OTMA API. */
/* This will be done at job-step termination but its untidy. */
*/

otma_close(
    & anchor, /* (in,out) ptr to otma anchor */
    & retrsn /* (out) rc,reason (1-4) */
);

printf("OTMA_CLOSE done. ret = %.8x rsn = %.8x,%.8x,%.8x,%.8x \n",
    retrsn.ret,
    retrsn.rsn[0],

```

```

        retrsn.rsn[1],
        retrsn.rsn[2],
        retrsn.rsn[3]
    );

    return (compare_result);          /* Return return code      */
} /* end of main */

/*=====*/
/* Subroutine to compare expected results(compare_buf)          */
/* with actual results(err_msg) the "|" is used to signify     */
/* an ignore compare and "?" is used to mark the end of string.*/
/* Note: Compare starts using an index i=1 ie. the 2nd character */
/* because the 1st character was blanked out. ( NL x'15' )      */
/*=====*/

int memc(char *comp_buf, char *rec_buf1)
{
    int j;
    int i;

    j = 0;
    for (i=1;
         ( (j==0) && (comp_buf[i] != '?') );
         i++)
    {
        if( comp_buf[i] != '|' )                /* Ignore compare */
        {
            if( comp_buf[i] != rec_buf1[i])    /* compare ok ? */
            {
                j++;                          /* No */
                printf( "MISCOMPARE !!! \n" );
                printf( "comp_buf[%d] = %c\n", i, comp_buf[i] );
                printf( "rec_buf1[%d] = %c\n", i, rec_buf1[i] );
            }
            else
            {
                ;
            }
        }
        else
        {
            ;
        }
    }
    return (j);
}

```

Related reference

[“OTMA C/I hints and tips” on page 525](#)

Use the following hints and tips when programming with OTMA C/I.

OTMA C/I sample program for asynchronous processing

The following program illustrates how to use OTMA C/I for asynchronous (unsolicited) processing.

In this sample program, one `otma_send_asynch` and one `otma_receive_asynch` call is issued per loop.

Recommendation: If you will be using synchronous (one in-one out) processing exclusively, use the `otma_send_receive` API. The `otma_send_receive` API provides the most efficient means of synchronous processing.

```

#pragma langlvl(extended)

/*****
/* Callable Interface sample program using asynchronous APIs
/* Parameters:
/* Server Name
/* Client Name
/* Transaction
/* User Name
/* User Group
/* Lterm
/* Mod Name
*****/

```

```

/*      OTMA Data                                     */
/*      Iterations                                   */
/*      */
/* Note:  The send buffer is sent as a file with a ddname of
/*      SENDBUFn in the invoking JCL.
/*      */
/* Example: //SENDBUF0 DD *,DLM=$$
/*          SEND OTMA TO SKS1
/*          $$
/*      */
/* Note: COMPAR1 is the DDNAME of an input file used to compare
/*      actual output with expected output. '?' is used to delimit
/*      the compare string and '|' is used to ignore a char compare
/*      */
/* Example: //COMPAR0 DD *,DLM=$$
/*          SEND OTMA TO SKS1?
/*          $$
/*      */
/* Note: TPIPEBUFn is the DDNAME of an input file used to specify
/*      the tpipe name to be used for each iteration.
/*      */
/* Example: //TPIPEBUF0 DD *,DLM=$$
/*          TPIPE001
/*          $$
/*      */
/*****/

/*****/
/*      Entry...
/*      */
/*      This test program is callable from JCL
/*      */
/* //NA10TMA JOB CLASS=A,MSGLEVEL=(1,1),MSGCLASS=H,REGION=2M
/* //*****
/* //* PARM=server_member_name client_member_name transaction
/* //*      user_name group_name lterm_name ModName OTMA_Data
/* //*      iterations
/* //*****
/* //MINISAMP EXEC PGM=NA10TMA,
/* // PARM='TRAP(OFF)/IMS61CR1 IMSTESR G214992 /DISP user01 groupid
/* //      Lterm ModName OTMADData 1'
/* //STEPLIB DD DISP=SHR,DSN=OTMA.TEST.LOAD
/* //SYSUDUMP DD SYSOUT=*
/* //STDOUT DD SYSOUT=*
/* //STDERR DD SYSOUT=*
/* //CEEDUMP DD SYSOUT=*
/* //COMPAR1 DD *,DLM=$$
/* EXPECTED OUTPUT GOES HERE
/* $$
/* //SENDBUF0 DD *,DLM=$$
/* SEND DATA GOES HERE
/* $$
/* //TPIPEBUF0 DD *,DLM=$$
/* TPIPE NAME GOES HERE
/* $$
/*      */
/* Note: TRAP(OFF)/ Passes LE run-time option TRAP(OFF) which turns
/*      off LE condition handling. To get a LE dump on abend set
/*      TRAP ON and provide a CEEDUMP DDNAME.
/*      */
/* Note: COMPAR1 is the DDNAME of an input file used to compare
/*      actual output with expected output. '?' is used to delimit
/*      the compare string and '|' is used to ignore a char compare*/
/*      */
/*****/

/*****/
/* An example for using the OTMA Client API in C lang.
/* This program is broken into the following parts:
/*      Declarations for special support
/*      Process invocation parameters
/*      Setup for C signal handling
/*      Do XCF open processing and analysis
/*      Execute an API to send data per invocation parm
/*      Execute an API to receive data per invocation parm
/*      Do close
/*      End
/*****/

/*****/
/* Header Definitions.
/*      */
/*****/

```

```

#include "dfsyc0.h"          /* Non-authorized OTMA API's      */
#include <stdlib.h>         /* Standard C Header file      */
#include <stddef.h>        /* Standard C Header file      */
#include <stdio.h>         /* Standard C Header file      */

/*****
/* Internal functions
/*****
/* memory comparison macro.
/* int memc(char *comp_buf, char *rec_buf1 );
/*
/*
/* macro to move string to blank filled left justified char field
/* #define splat(t,s) \
/* {\
/* memset((char*)&(t),' ',sizeof(t));\
/* strncpy((char*)&(t), s ,strlen(s));}
/*
/* standard math routines
/* #define min(a,b) ((a)<(b)?(a):(b))
/* #define max(a,b) ((a)>(b)?(a):(b))
/*****
/*
/* This OTMA C/I Program
/*
/* Note: TRAP(OFF)/ Passes LE run-time option TRAP(OFF) which turns
/* off LE condition handling. To get a LE dump on abend set
/* TRAP ON and provide a CEEDUMP DDNAME.
/*
/* Note: COMPAR1 is the DDNAME of an input file used to compare
/* actual output with expected output. '?' is used to delimit
/* the compare string and '|' is used to ignore a char compare
/*
/*****
main(int argc,char *argv[])
{
/*****
/* Fields used by OTMA C/I APIs.
/*****
/* The following fields used by all the OTMA C/I API's.
/*
otma_anchor_t    anchor;      /* Handle returned by create
/* and used by all others.
otma_retrsn_t    retrsn;     /* Return code returned by all.
/*
/* The following fields are used by the otma_create and
/* otma_open API's.
/*
otma_grp_name_t  grp_name;    /* API XCF Group Member Name.
otma_clt_name_t  clt_name;    /* API XCF Client Member Name.
otma_srv_name_t  srv_name;    /* API XCF Server Member Name.
/* (IMS's XCF member name).
signed long      sessions;    /* number of sessions to support
tpipe_prfx_t     tpipe_prefix; /* first part of tpipe NAME
/* The following fields are used by otma_send_async API.
/*
tpipe_name_t     tpipe;       /* User tpipe Name.
tran_name_t      trans;       /* IMS Trancode or CMD.
racf_uid_t       user_name;    /* RACF UserID.
racf_prf_t       user_prf;     /* RACF Groupname.
lterm_name_t     lterm;       /* Input Lterm.
mod_name_t       modname;     /* Input Modname.
otma_user_t      otma_data;    /* OTMA Userdata.
char             send_buf[BUFFER_LEN];
int long         buffer_length = 0; /* Send Buffer length.
unsigned char error_message_text[120]; /* IMS error msg field -
/* A place to receive any IMS
/* DFS error messages.
unsigned char *error_message = (unsigned char*)&error_message_text;
/* a pointer to which is parameter
/* on send_receive.
otma_profile2_t  send_options; /* Send Special Options.
/*
/* The following fields are used by otma_receive_async API.
/*
lterm_name_t     rec_lterm;    /* Output Lterm.
mod_name_t       rec_modname;  /* Output Modname.
otma_user_t      rec_otma_data; /* OTMA Userdata.
char             rec_buf[BUFFER_LEN];

```

```

int long      rec_buffer_len = BUFFER_LEN;
long int      rec_data_len = 0;
otma_profile3_t  rec_options; /* Receive Special Options. */

/*****
/* The callable interface makes use of z/OS Event Control Blocks. */
/* Any language which call the interface must deal with this. */
*****/

unsigned long *(ecb_list[2]); /* z/OS pause ecb list */
unsigned long **pecb_list;

ecb_t      ecbOPEN  = 0L; /* ecb to be posted by OTMA API */
ecb_t      ecbIO    = 0L; /* ecb to be posted by OTMA API */
ecb_t      signal   = 0L; /* ecb to be posted by C runtime */

ecb_list[0] = (unsigned long *) &(signal); /* post by C signal */
ecb_list[1] = (unsigned long *)
              ((unsigned long)&(ecbOPEN) |
              (unsigned long)0x80000000); /* end of list */
pecb_list = &ecb_list[0]; /* pointer to list */
/* define callable I/F */

/*****
/* Local Variables
*****/

long int     retsave; /* Return code save area */
int          iterations; /* Number of iterations to use */
int          loop_count; /* Number of iterations used */
int          compare_result; /* Return Code result of the */
/* comparison for buffers. */

/*****
/* Local Constants
*****/

#define BUFFER_LEN 4096 /* Set our buffer sizes */
#define NUM_BUFFER 80 /* Set the number of buffers */
#define GROUP_NAME "HARRY" /* Set XCF group name to join */
char temp_buf[NUM_BUFFER]; /* Swapping buffer */
char compare_buf[NUM_BUFFER + 1]; /* Compare buffer */
*/
FILE * stream;
int num; /* number of characters read from stream */

/*****
/* To support test functions - names of parms in order to pring */
/* the parms out for documentation. */
*****/

char * argdefs[10]={"Program Name", /* 1 */
                  "Server Name", /* 2 */
                  "Client Name", /* 3 */
                  "Transaction", /* 4 */
                  "User Name ", /* 5 */
                  "User Group ", /* 6 */
                  "Lterm ", /* 7 */
                  "Mod Name ", /* 8 */
                  "OTMA Data ", /* 9 */
                  "Iterations ", /* 10 */
                  };

/*****
/* Declare an array of compare file ddnames to */
/* compare actual output received with expected output. */
*****/

char * infiledd[4]={"DD:COMPAR0", /* 1 */
                  "DD:COMPAR1", /* 2 */
                  "DD:COMPAR2", /* 3 */
                  "DD:COMPAR3", /* 4 */
                  };

/*****
/* Declare an array of send file ddnames to */
/* send application data to OTMA. */
*****/

char * sndfiledd[4]= {"DD:SENDBUF0", /* 1 */
                    "DD:SENDBUF1", /* 2 */
                    "DD:SENDBUF2", /* 3 */
                    };

```

```

        "DD:SENDBUF3" ,      /* 4          */
    };

/*****
*/ Declare an array of tpipe names ddnames for the
*/ otma_send_async API.
/*****

char * tpipefiledd[4]= { "DD:TPIPBUF0" ,      /* 1          */
                        "DD:TPIPBUF1" ,      /* 2          */
                        "DD:TPIPBUF2" ,      /* 3          */
                        "DD:TPIPBUF3" ,      /* 4          */
    };

/*****
*/ Begin Test Case...
*/ Announce the startup of the test program.
/*****
printf("OTMCI02 Run Date: %s Run Time: %s\n" , __DATE__ , __TIME__ );

/*****
*/ Process parms/command line arguments.
*/
*/ Note: If not a parameter is not used, then "NONE" is used in
*/ its place.
*/
/*****

/* First, print the parameters. */
printf("Invocation parameters = \n");
for (i=1 ; i<(min(11,argc));i++)
{
    printf("%d %s = ", i, argdefs[i]);
    printf("%s.\n", argv[i]);
}

printf("\n");

if (argc>1 && strcmp(argv[1],"NONE") != 0)
    splat( srv_name, argv[1]) /* Server Name. */
else
    splat( srv_name, "IMS61CR1"); /* Hard coded default */
if (argc>2 && strcmp(argv[2],"NONE") != 0)
    splat( clt_name, argv[2]) /* Client name */
else
    splat( clt_name, "XCFTTEST" ); /* Hard coded default */
if (argc>3 && strcmp(argv[3],"NONE") != 0)
    splat( trans, argv[3]) /* IMS Tran/Cmd to use*/
else
    splat( trans, ""); /* Hard coded default */
if (argc>4 && strcmp(argv[4],"NONE") != 0)
    splat( user_name, argv[4]) /* RACF Username */
else
    splat( user_name, ""); /* Hard coded default */
if (argc>5 && strcmp(argv[5],"NONE") != 0)
    splat( user_prf, argv[5]) /* RACF Group ID */
else
    splat( user_prf, " " ); /* Hard coded default */
if (argc>6 && strcmp(argv[6],"NONE") != 0)
    splat( lterm , argv[6]) /* Lterm to use */
else
    splat( lterm , " " ); /* Hard coded default */
if (argc>7 && strcmp(argv[7],"NONE") != 0)
    splat( modname , argv[7]) /* ModName to use */
else
    splat( modname , " " ); /* Hard coded default */
if (argc>8 && strcmp(argv[8],"NONE") != 0)
    splat( otma_data, argv[8]) /* OTMAData to use */
else
    splat( otma_data, " " ); /* Hard coded default */
if (argc>9 && strcmp(argv[9],"NONE") != 0)
    iterations = atoi(argv[9]); /* Loop count */
else
    iterations = 1; /* Hard coded default */

/* -----*/
/* Open the file with the ddname SENDBUF0 supplied in the
/* JCL which invoked this C driver. Then read the file into
/* temp_buf.
/* -----*/

```



```

if ( ( stream = fopen("DD:SENDBUF0","rb") ) != NULL )
{
    num = fread( temp_buf, sizeof( char ), NUM_BUFFER, stream );
    if (num == NUM_BUFFER) {
        printf( "Number of characters read = %i\n", num );
        fclose( stream );
    }
    else {
        if ( ferror(stream) )
            printf( "Error reading DDNAME sendbuf0/n");
        else if ( feof(stream)) {
            printf( "EOF found\n" );
            printf( "Number of characters read %d\n", num );
            printf( "temp_buf = %.*s\n", num, temp_buf);
            fclose( stream );
        }
    }
}
else
    printf( "ERROR opening DDNAME sendbuf0/n" );

/*-----*/
/* Initialize parameters for the otma_create and otma_open */
/* APIs. */
/*-----*/

splat( grp_name, GROUP_NAME );          /* XCF Group Name */
splat( tpipe_prefix, "TPAS" );          /* XCF Group Name */
strcat( send_buf, temp_buf );           /* Copy temp_buf into send_buf */
strcat( send_buf, " " );                /* add a blank for strlen */
buffer_length = strlen( send_buf );

/*****
/* Example of setting up parms to Open the XCF Link */
*****/

    retrsn.ret      = -1;
    retrsn.rsn[0]   = -1;
    retrsn.rsn[1]   = -1;
    retrsn.rsn[2]   = -1;
    retrsn.rsn[3]   = -1;
    r               = 0;
    sessions        = 10;                /* OTMA supports multiple parallel */
                                        /* sessions (TPIPES) How many do you want?*/

/*****
/*BEGIN: */
/* We have a CREATE function to set up storage and */
/* an OPEN function to start the protocol. */
/* If you don't need to customize the environment you can start */
/* with the OPEN function, the CREATE will be done by OPEN. */
*****/

    otma_create(&anchor,          /* (out) ptr to addr to receive ancho*/
                &retrsn,        /* (out) return code */
                (ecb_t *) &ecbOPEN, /* not posted by create but stored */

                &grp_name,      /* (in) ptr to valid groupname */
                &clt_name,     /* (in) Our member name */
                &srv_name,     /* (in) Our server name */

                &sessions,     /* (in) number of sessions to support*/
                &tpipe_prefix  /* (in) first part of tpipe name */
                );

    printf("OTMA_CREATE issued. ret = %d rsn = %.8x,%.8x,%.8x,%.8x\n"
           " anchor is at %.8x.\n",
           retrsn.ret,
           retrsn.rsn[0],
           retrsn.rsn[1],
           retrsn.rsn[2],
           retrsn.rsn[3],
           anchor);

printf("-\n");

/*****
/* Time to try to connect to IMS */
*****/

```

```

/* ___start XCF connection_____ */

otma_open(&anchor,      /* out ptr to addr to receive anchor */
          &retrsn,     /* out return code                    */
          (ecb_t *)&ecbOPEN, /* out posted by open if failure     */
          /* else posted by exit pgm  */
          &grp_name,   /* in ptr to valid XCF groupname     */
          &clt_name,  /* in Our member name                */
          &srv_name,  /* in Our server name                */

          &sessions,  /* in number of sessions to support */
          &tpipe_prefix /* in first part of tpipe name      */
        );

printf("OTMA_OPEN issued. ret = %.8x rsn = %.8x,%.8x,%.8x,%.8x\n"
       " Waiting for ecb at %.8x.=%.8x.\n",
       retrsn.ret,
       retrsn.rsn[1],
       retrsn.rsn[2],
       retrsn.rsn[3],
       ecb_list[1],
       *ecb_list[1]
      );

printf("-\n");

/* ----- */
/* Here we wait for Open to signal complete          */
/* ----- */
DFSYSWAT(ecb_list[1]); /* WAIT on ecb */

printf("OTMA_OPEN done. ret = %.8x rsn = %.8x,%.8x,%.8x,%.8x \n"
       "\nEcb at %.8x.=%.8x.\n",
       retrsn.ret,
       retrsn.rsn[0],
       retrsn.rsn[1],
       retrsn.rsn[2],
       retrsn.rsn[3],
       ecb_list[1], *ecb_list[1]
      );

printf("Local Area Anchor at %8.8X = %8.8X\n",
       &anchor, anchor);

/* ----- */
/* The post code from open indicates success or failure */
/* ----- */
if (0!=(0x00ffffff & ecbOPEN))
{
    printf("OPEN_OTMA ecb is posted failure.\n");
    return(retrsn.rsn[0]);
}

/*****
/* This is the loop that sends and receives data.          */
/* This test program can iterate with multiple calls here. */
*****/

for (loop_count = 0 ; loop_count<iterations ; loop_count++)
{
    /* Change the environment to wait for ecbIO          */
    ecbIO = 0; /* clear ecb for reuse */
    ecb_list[1] = (unsigned long *) /* posted by OTMA */
                  ((unsigned long)&(ecbIO) |
                   (unsigned long)0x80000000); /* end of list */

    if (loop_count != 0)
    {
        /* ----- */
        /* If looping more than once open the next file to send */
        /* and read it into the send_buf.                          */
        /* ----- */

        if (( stream = fopen(sndfiledd[loop_count],"rb")) != NULL )
        {
            num = fread( temp_buf, sizeof( char ), NUM_BUFFER, stream );
            if (num == NUM_BUFFER) {
                fclose( stream );
            }
        }
    }
}

```

```

    }
    else {
        if ( ferror(stream) )
            printf( "Error opening file
                else if ( feof(stream)) {
                    printf( "EOF found\n" );
                    printf( "Number of characters read %d\n", num );
                    printf( "temp_buf = %.*s\n", temp_buf);
                    fclose( stream );
                }
            }
        }
    }
    else
        printf( "Error opening file %s\n", sndfiledd[loop_count]);

    /* Put data in to Send Buffer. */
    memset(error_message_text ,0, sizeof(error_message_text));
    memset(send_buf ,0, sizeof(send_buf));
    strcat(send_buf, temp_buf );
    strcat(send_buf, " " );
    buffer_length = strlen(send_buf);
} /* end if loop_count != 0 */

/* -----*/
/* If looping more than once open the next tpipe to use */
/* and read it into the tpipe. */
/* -----*/

if (( stream = fopen(tpipefiledd[loop_count],"rb")) != NULL )
{
    num = fread( temp_buf, sizeof( char ), NUM_BUFFER, stream );
    if (num == NUM_BUFFER) {
        fclose( stream );
    }
    else {
        if ( ferror(stream) )
            printf( "Error opening file
                else if ( feof(stream)) {
                    printf( "EOF found\n" );
                    printf( "Number of characters read %d\n", num );
                    printf( "temp_buf = %.*s\n", temp_buf);
                    fclose( stream );
                }
            }
        }
    }
    else
        printf( "Error opening file %s\n", sndfiledd[loop_count]);

    memcpy(tpipe, temp_buf, 8);

/* Print announcement of send API. */
printf("-\n-\n- Iteration #%d Send API ----- \n-\n",
    loop_count+1);
printf("tpipe Name = %.8s.\n", tpipe);
printf("Transaction = %.8s.\n", trans);
printf("RACF UserID = %.8s.\n", user_name);
printf("RACF Group = %.8s.\n", user_prf);
printf("Lterm = %.8s.\n", lterm );
printf("Modname = %.8s.\n", modname );
printf("OTMA Data = %.50s.\n", otma_data );
printf("Send buf = %s.\n", send_buf);
printf("Send buf at %.8x.\n", &send_buf);
printf("Buffer length = %d.\n", buffer_length);
printf ("Waiting for ecb at %.8x.=%.8x.\n", ecb_list[1],
    *ecb_list[1]);

otma_send_async(
    &anchor,          /* (in) anchor block */
    &retrsn,         /* (out) return status */
    &ecbIO,          /* (out) ecb address */

    &tpipe,         /* (in) user tpipe name */
    &trans,         /* (in) IMS tranocode or cmd */
    &user_name,     /* (in) RACF userid */
    &user_prf,      /* (in) RACF group name */
    &lterm,         /* (in) logical terminal */
    &modname,       /* (in) module name */
    &otma_data,     /* (in) OTMA user data */

```

```

(unsigned char *) &send_buf,      /* (in) send buffer */
                &buffer_length, /* (in) size of send buffer */
                0,               /* (in) send_segment_list */
                &error_message, /* (out) IMS Error msg. */
                &send_options); /* (in) send special options */

DFSycwat(ecb_list[1]);          /* WAIT on ecb */

/* Print results of send API. */
printf("OTMA_SEND_ASYNC done. ret = %.8x rsn = %.8x,%.8x,%.8x,%.8x\n"
       "Ecb at %.8x.=%.8x.\n",
       retrsn.ret,
       retrsn.rsn[0],
       retrsn.rsn[1],
       retrsn.rsn[2],
       retrsn.rsn[3],
       ecb_list[1],
       *ecb_list[1]
       );

retsave = retrsn.ret; /* Save otma_send_async Return Code. */

/* Error Processing for OTMA_SEND_ASYNC API. */
if (retrsn.ret != 0)
{
    /* ___Error path Free allocated session _____ */
    printf("-Error send_async API retrsn.ret="
           "Error message = %s\n", error_message );
}

if (( stream = fopen(infiledd[loop_count],"rb")) != NULL )
{
    num = fread( compare_buf, sizeof( char ), NUM_BUFFER, stream );
    if (num == NUM_BUFFER) { /* fread success */
        printf( "Compare_buf = %.80s.\n", compare_buf );
        printf( "Error_buf = %.80s.\n", error_message );
        fclose( stream );
        compare_result = memc( compare_buf, error_message );
        printf( "compare_result = "
               );
        if (compare_result != 0)
            return(compare_result); /* Exit if NO COMPARE */
        }
    else { /* fread() failed */
        if ( ferror(stream) ) /* possibility 1 */
            printf( "Error reading file %s\n", infiledd[loop_count]);
        else if ( feof(stream)) { /* possibility 2 */
            printf( "EOF found\n" );
            printf( "Number of characters read %d\n", num );
            printf( "Receive compare_buf = %.*s\n", num, compare_buf);
        }
    }
}
else
    printf( "Error opening file %s\n", infiledd[loop_count]);

    printf("-\n");

    /* ___Sever IMS connection _____ */
    printf("-\n");
    otma_close(
                & anchor, /* (in,out) tr to otma anchor */
                & retrsn /* (out) rc,reason (1-4) */
                );

    printf("OTMA_CLOSE done. ret = %.8x rsn = %.8x,%.8x,%.8x,%.8x\n",
           retrsn.ret,
           retrsn.rsn[0],
           retrsn.rsn[1],
           retrsn.rsn[2],
           retrsn.rsn[3]
           );

    return (retsave); /* EXIT with receive API return code */
}

/* Initialize otma_receive_async parameters. */
splat( rec_lterm , "" );
splat( rec_modname , "" );
splat( rec_otma_data , "" );
ecbIO = 0; /* clear ecb for reuse */
ecb_list[1] = (unsigned long *) /* posted by OTMA */

```

```

((unsigned long)&ecbIO |
(unsigned long)0x80000000); /* end of list */

/* Print announcement of receive API. */
printf("-\n\n- Iteration # %d Receive API ----- \n\n",
loop_count+1);
printf("tpipe Name = %.8s.\n", tpipe);
printf("Waiting for ecb at %.8x=%.8x.\n", ecb_list[1],
*ecb_list[1]);

otma_receive_async(
&anchor, /* (in) anchor block */
&retrsn, /* (out) return status */
&ecbIO, /* (out) ecb address */

&tpipe, /* (in) user tpipe name */
&rec_lterm, /* (in) logical terminal */
&rec_modname, /* (in) module name */
&rec_otma_data, /* (in) OTMA user data */

(unsigned char *) &rec_buf, /* (out) Receive buffer */
&rec_buffer_len, /* (in) size of rec buffer */
&rec_data_len, /* (in) send_segment_list */
0, /* (in/out) rec multiple seg */
&rec_options); /* (in) rec special options */

DFSycwat(ecb_list[1]); /* WAIT on ecb
*/
/* Print results of receive API. */
printf("OTMA_REC_ASYNC done. ret = %.8x rsn = %.8x,%.8x,%.8x,%.8x\n"
"Ecb at %.8x=%.8x.\n",
retrsn.ret,
retrsn.rsn[0],
retrsn.rsn[1],
retrsn.rsn[2],
retrsn.rsn[3],
ecb_list[1],
*ecb_list[1]);
printf("lterm = %.8s.\n", rec_lterm );
printf("Modname = %.8s.\n", rec_modname );
printf("OTMA Data = %.50s.\n", rec_otma_data );
printf("Receive buf = %.80s.\n", rec_buf);
printf("Receive buf at %.8x.\n", &rec_buf);
printf("Data length = %d.\n", rec_data_len);
printf("Buffer length = %d.\n", rec_buffer_len);

retsave = retrsn.ret; /* Save otma_receive_async Return Code. */

/* Error Processing for OTMA_RECEIVE_ASYNC API. */
if (retrsn.ret != 0)
{

/* __ Error path Free allocated session ----- */
printf("-error path retrsn.ret=
printf("-\n");

/* ___Sever IMS connection ----- */
printf("-\n");
otma_close(
& anchor, /* (in,out) tr to otma anchor */
& retrsn /* (out) rc,reason (1-4) */
);

printf("OTMA_CLOSE done. ret = %.8x rsn = %.8x,%.8x,%.8x,%.8x\n",
retrsn.ret,
retrsn.rsn[0],
retrsn.rsn[1],
retrsn.rsn[2],
retrsn.rsn[3]
);

return (retsave); /* EXIT with receive API return code */
}

/* -----*/
/* Open the compare file containing the expected output */
/* of the receive buffer. Compare the expected output */
/* with the actual output and return the result. */
/* -----*/

```

```

printf("-\n-\n- Iteration #%d Data Validation -----\n-\n",
        loop_count+1);

if (( stream = fopen(infiledd[loop_count],"rb")) != NULL )
{
    num = fread( compare_buf, sizeof( char ), NUM_BUFFER, stream );
    if (num == NUM_BUFFER) { /* fread success */
        printf( "compare_buf = %.80s.\n", compare_buf );
        printf( "    rec_buf = %.80s.\n", rec_buf );
        fclose( stream );
        compare_result = memc( compare_buf, rec_buf );
        printf("compare_result =
if (compare_result != 0)
return(compare_result);          /* Exit if NO COMPARE    */
    }
    else { /* fread() failed */
        if ( ferror(stream) )          /* possibility 1 */
            printf( "Error reading file %s\n", infiledd[loop_count]);
        else if ( feof(stream)) {      /* possibility 2 */
            printf( "EOF found\n" );
            printf( "Number of characters read %d\n", num );
            printf( "Receive compare_buf = %.*s\n", num, compare_buf);
        }
    }
}
else
printf( "Error opening file %s\n", infiledd[loop_count]);

memset(rec_buf , ' ', sizeof(rec_buf));

printf( "End of loop \n" );
} /* end of loop */

printf("-\n");

/*****
/* Finally, CLOSE severs the connection with IMS and frees the
/* Storage used by the OTMA API.
/* This will be done at job-step termination but its untidy.
*****/

otma_close(
        & anchor,          /* (in,out) ptr to otma anchor */
        & retrsn         /* (out) rc,reason (1-4)      */
);
printf("OTMA_CLOSE done. ret = %.8x rsn = %.8x,%.8x,%.8x,%.8x \n",
        retrsn.ret,
        retrsn.rsn[0],
        retrsn.rsn[1],
        retrsn.rsn[2],
        retrsn.rsn[3]
);

return (compare_result);          /* We're done */
} /* end of main */

/*****
/* Subroutine to compare expected results(compare_buf)
/* with actual results(err_msg) the "|" is used to signify
/* an ignore compare and "?" is used to mark the end of string.
/* Note: Compare starts using an index i=1 ie. the 2nd character
/* because the 1st character was blanked out. ( NL x'15' )
*****/

int memc(char *comp_buf, char *rec_buf1)
{
    int j;
    int i;

    j = 0;

    for (i=1;
         ( (j==0) && (comp_buf[i] != '?') );
         i++)
    {
        if( comp_buf[i] != '|' )          /* Ignore compare */
            {
                if( comp_buf[i] != rec_buf1[i])          /* compare ok ? */
                    {

```

```

        j++;
        printf( "MISCOMPARE !!! \n" );
        printf( "comp_buf[%d] = %c\n", i, comp_buf[i] );
        printf( "rec_buf1[%d] = %c\n", i, rec_buf1[i] );
    }
    else
        ;
    }
    else
        ;
    }
    return (j);
}

```

Related reference

[“OTMA C/I hints and tips” on page 525](#)

Use the following hints and tips when programming with OTMA C/I.

Chapter 7. WSDL-to-PL/I segmentation APIs for web service development

The WSDL-to-PL/I segmentation APIs are used and referenced by the PL/I application templates that are generated by IBM Developer for System z® for the WSDL-to-PL/I top-down development scenario.

In general, each API operates on a @dfs_async_msg_header instance to consume IMS messages that have been derived from XML or SOAP, or to produce IMS messages that need to be converted to XML or SOAP.

These APIs are implemented in a new module named DFSPWSIO that is provided with IMS. The DFSPWSIO module must be statically linked to PL/I-XML converters and service provider MPPs generated in the IBM Developer for System z WSDL2PLI scenario for web services to deploy on IMS Enterprise Suite SOAP Gateway. The DFSPWSHK exit routine can be used to inspect, modify, or replace the buffer that contains the current SOAP header, body, or fault data structure before it is sent or received.

Important: A minimum of IMS Enterprise Suite V3.1 SOAP Gateway and IBM Developer for System z V9.0.1.1 are required to use this set of APIs.

Related concepts

[WSDL-to-PL/I segmentation APIs for adding business logic in generated PL/I templates \(Application Programming\)](#)

Related reference

[WSDL-to-PL/I segmentation APIs exit routine \(DFSPWSHK\) \(Exit Routines\)](#)

Include file DFSPWSH

The include file DFSPWSH defines the PL/I structures used with the WSDL-to-PL/I segmentation APIs DFSQGETS, DFSQSETS, DFSXGETS, and DFSXSETS.

The include file DFSPWSH is located on the z/OS server in the data set DFSSSAMP installed by IMS.

The following code shows the first part of DFSPWSH, before the definition of the segmentation APIs:

First part of the include file DFSPWSH

```
/******  
* IBM IMS Web service segmentation APIs  
* IMS Connect and IMS MPP  
* DFSPWSH  
*  
* This file must be included by all IMS service provider MPPs  
* developed using the IBM Rational Developer for System z WSDL2PLI  
* support for IMS Enterprise Suite SOAP Gateway.  
*  
* @since 1.0.0.0, 1F64F288-F037-469F-987B-60BF1FBE4B4B  
* @version 2.0.0.0, 2FFA2F75-8D4F-4951-80D5-D2444181745C  
*****/  
  
%push;  
%noprint;  
%include CEEIBMCT;  
%include CEEIBMAW;  
%pop;  
  
/******  
* Required, symmetric asynchronous message header segment for use  
* with DFSPWSIO APIs: DFSQGETS, DFSQSETS, DFSXGETS, DFSXSETS.  
* @version 2.0.0.0, 2FFA2F75-8D4F-4951-80D5-D2444181745C  
*****/  
dcl 01 @dfs_async_msg_header_ptr pointer;  
dcl 01 @dfs_async_msg_header unaligned  
    based(@dfs_async_msg_header_ptr),  
    02 ll      fixed bin (15) init(0),  
    02 zz      fixed bin (15) init(0),
```

```

02 trancode      char (08) init(''),
02 header_guid  char (36) init
('2FFA2F75-8D4F-4951-80D5-D2444181745C'),
02 service_context,
03 target_namespace  wchar (1024) varying init(''),
03 service_name      wchar (0512) varying init(''),
03 port_name         wchar (0512) varying init(''),
03 operation_name    wchar (0512) varying init(''),
02 language_binding,
03 struct_max_segment_size  fixed bin(31) init(32767),
03 soap_header_bit  bit (1) aligned init('0'b),
03 soap_header,
04 header_struct_name      wchar (100) varying init(''),
04 header_struct_segment_num  fixed bin (31) init(0),
04 header_struct_segment_cnt  fixed bin (31) init(0),
04 header_struct_size      fixed bin (31) init(0),
04 header_struct_ptr       pointer,
03 soap_body_bit         bit (1) aligned init('0'b),
03 soap_body,
04 body_struct_name       wchar (100) varying init(''),
04 body_struct_segment_num  fixed bin (31) init(0),
04 body_struct_segment_cnt  fixed bin (31) init(0),
04 body_struct_size       fixed bin (31) init(0),
04 body_struct_ptr        pointer,
03 soap_fault_bit       bit (1) aligned init('0'b),
03 soap_fault,
04 fault_struct_name     wchar (100) varying init(''),
04 fault_struct_segment_num  fixed bin (31) init(0),
04 fault_struct_segment_cnt  fixed bin (31) init(0),
04 fault_struct_size     fixed bin (31) init(0),
04 fault_struct_ptr      pointer;

dcl @dfs_async_msg_header_size fixed bin(31)
value(storage(@dfs_async_msg_header));

/*****
* IMS I/O Program Communication Block (IOPCB) declarations and
* constants.
*****/
dcl 01 @dfs_iopcb_mask_ptr pointer;
dcl 01 @dfs_iopcb_mask unaligned based(@dfs_iopcb_mask_ptr),
02 iopcb_lterm      char(8),
02 resv            char(2),
02 iopcb_status_code  char(2),
02 iopcb_date       decimal fixed(7,0),
02 iopcb_time       decimal fixed(6,9),
02 iopcb_msg_seq_number  fixed bin(31),
02 iopcb_mod_name   char(8),
02 iopcb_user_id    char(8);

/*****
* @param @dfs_STRUCT_TYPE constants for use with DFSPWSIO APIs:
* DFSQGETS, DFSQSETS.
*****/
dcl @dfs_soap_header_struct fixed bin(31) value(1);
dcl @dfs_soap_body_struct   fixed bin(31) value(2);
dcl @dfs_soap_fault_struct  fixed bin(31) value(3);

/*****
* Return code constants for use with DFSPWSIO APIs:
* DFSQGETS, DFSQSETS, DFSXGETS, DFSXSETS.
*****/
dcl @dfs_success          fixed bin(31) value(000);
dcl @dfs_omitted_parameter  fixed bin(31) value(100);
dcl @dfs_invalid_pointer   fixed bin(31) value(101);
dcl @dfs_invalid_struct_type  fixed bin(31) value(102);
dcl @dfs_struct_not_found   fixed bin(31) value(103);
dcl @dfs_struct_name_mismatch  fixed bin(31) value(104);
dcl @dfs_invalid_struct_order  fixed bin(31) value(105);
dcl @dfs_invalid_struct_size  fixed bin(31) value(106);
dcl @dfs_invalid_struct_name  fixed bin(31) value(107);
dcl @dfs_struct_already_set  fixed bin(31) value(108);
dcl @dfs_invalid_segment_size  fixed bin(31) value(109);

dcl @dfs_icon_buf_exhausted  fixed bin(31) value(997);
dcl @dfs_cee_call_failure    fixed bin(31) value(998);
dcl @dfs_dli_call_failure    fixed bin(31) value(999);

/*****
* IMS CEETDLI interface declarations and constants.
*****/
dcl @dfs_dli_get_unique      char (4) value('GU ');

```

```

dcl @dfs_dli_get_next      char (4) value('GN ');
dcl @dfs_dli_insert       char (4) value('ISRT');
dcl @dfs_dli_message_exists char (2) value('CF');
dcl @dfs_dli_end_segments char (2) value('QD');
dcl @dfs_dli_end_messages char (2) value('QC');
dcl @dfs_dli_status_ok    char (2) value(' ');

dcl @dfs_message_max_data fixed bin(31) value(2147123205);
dcl @dfs_segment_max_data fixed bin(31) value(32763);

/*****
 * Language Environment declarations and constants.
 *****/
dcl 1 @dfs_cee_feedback feedback;

/*****
 * Note: The remainder of this file contains declarations for
 * the APIs that enable the XML Converters
 * running in IMS Connect and the MPP running in an MPR to
 * exchange messages that conform to a protocol that provides
 * service invocation context and unique language bindings for
 * each part of a SOAP message: header, body, fault.
 *****/
dcl @dfs_icon_buf_ptr      pointer init(null());
dcl @dfs_icon_buf_size    fixed bin(31) init(0);
dcl @dfs_icon_buf_used    fixed bin(31) init(0);
dcl @dfs_struct_name      wchar(100) varying init('');
dcl @dfs_struct_ptr       pointer init(null());
dcl @dfs_struct_size      fixed bin(31) init(0);
dcl @dfs_cee_feedback_ptr pointer init(null());
dcl @dfs_commit_structs   bit(1) init('0'b);
dcl @dfs_debug            bit(1) init('0'b);
dcl @return_code          fixed bin(31) init(0);

/*****
 * DFSQGETS,
 * Get a language structure that contains either a SOAP Header,
 * SOAP Body, or SOAP Fault. Language structures are retrieved
 * from the IMS Message Queue using the CEETDLI interface. All
 * language structures must be retrieved from the IMS Message Queue
 * prior to setting language structures using API DFSQSETS.
 *
 * @param @dfs_async_msg_header_ptr,
 * A pointer-by-value to the instance of @dfs_async_msg_header
 * that was retrieved from the IMS Message Queue by issuing
 * a GU using the CEETDLI interface prior to invoking the API.
 * This same instance must be passed on subsequent calls to
 * DFSQGETS and DFSQSETS.
 *
 * @param @dfs_iopcb_ptr,
 * A pointer-by-value to the I/O PCB that was passed to the
 * MPP by IMS. The I/O PCB will be used by the API when invoking
 * CEETDLI to interact with the IMS Message Queue. If a return
 * code of 999 is received from the API, inspect the I/O PCB
 * to determine the cause of the error.
 *
 * @param @dfs_struct_type,
 * An integer-by-value that specifies which language structure
 * to retrieve from the MPP's input message. The following
 * constants defined in include file DFSPWSH may be used:
 * @dfs_soap_header_struct, @dfs_soap_body_struct,
 * @dfs_soap_fault_struct.
 *
 * @param @dfs_struct_name,
 * A string-by-reference which contains the name of the
 * language structure that the API should retrieve from the
 * IMS Message Queue. This value of this parameter must
 * correspond to the value of parameter @dfs_struct_type.
 *
 * @param @dfs_struct_ptr,
 * A pointer-by-reference into which the API will write the
 * address of newly-allocated storage into which the requested
 * language structure has been copied from the IMS Message
 * Queue. The storage allocated by the API resides in the
 * same address space as the caller. Therefore, it is highly
 * recommended that the storage be explicitly freed by the
 * caller when no longer needed.
 *
 * @param @dfs_struct_size,
 * An integer-by-reference into which the API will write the
 * size in bytes of the language structure.
 *****/

```

```

* @param @dfs_cee_feedback_ptr,
* A pointer-by-value to an instance of @dfs_cee_feedback
* which defines a Language Environment Condition Token.
* The supplied instance is updated each time the API invokes
* Language Environment Callable Services. If a return code of
* 998 is received from the API, use the publication Language
* Environment Run-Time Messages (SA22-7566-10) to inspect
* the contents of the condition token and determine the
* cause of the error.
*
* @param @dfs_debug,
* An optional bit that indicates whether or not
* trace information should be displayed by the API.
* Under normal circumstances trace information is written
* to standard out and therefore can be found in the
* job log of the Message Processing Region.
*
* @return One of the following codes will be returned by the API,
* o @dfs_success
* o @dfs_omitted_parameter
* o @dfs_invalid_pointer
* o @dfs_invalid_dfs_struct_type
* o @dfs_struct_not_found
* o @dfs_struct_name_mismatch
* o @dfs_invalid_struct_order
* o @dfs_cee_call_failure
* o @dfs_dli_call_failure
*****/
dcl DFSQGETS entry(pointer byvalue, pointer byvalue,
fixed bin(31) byvalue, wchar(100) varying byaddr,
pointer byaddr, fixed bin(31) byaddr, pointer byvalue,
bit(1) optional) returns(fixed bin(31));

/*****
* DFSQSETS,
* Set a language structure that contains either the SOAP
* Header, SOAP Body, or SOAP Fault. This API does not
* insert language structures into the IMS Message Queue
* until instructed to do so via parameter @dfs_commit_structs.
* Therefore it is an error to deallocate or otherwise
* invalidate structure pointers passed to the API via parameter
* @dfs_struct_ptr before instructing the API to commit (insert)
* all structures to the IMS Message Queue.
*
* @param @dfs_async_msg_header_ptr,
* A pointer-by-value to the instance of @dfs_async_msg_header
* that was supplied on a previous call to DFSQGETS or DFSQSETS.
* Subsequent calls to this API must specify the same instance
* of @dfs_async_msg_header as it will be progressively updated.
*
* @param @dfs_iopcb_ptr,
* A pointer-by-value to the IOPCB that was passed to the
* MPP by IMS. The IOPCB will be used by the API when invoking
* CEETDLI to interact with the IMS Message Queue. If a return
* code of 999 is received from the API, inspect the I/O PCB
* to determine the cause of the error.
*
* @param @dfs_struct_type,
* An integer-by-value that specifies which language structure
* to set in the IMS Message Queue. The following
* constants defined in include file DFSPWSH may be used:
* @dfs_soap_header_struct, @dfs_soap_body_struct,
* @dfs_soap_fault_struct.
*
* @param @dfs_struct_name,
* A string-by-reference which contains the name of the
* language structure that corresponds to the supplied value of
* the @dfs_struct_type parameter.
*
* @param @dfs_struct_ptr,
* A pointer-by-value to the language structure that
* corresponds to the values specified for parameters
* @dfs_struct_type and @dfs_struct_name.
*
* @param @dfs_struct_size,
* An integer-by-value that specifies the size in bytes of the
* language structure supplied via parameter @dfs_struct_ptr.
*
* @param @dfs_commit_structs,
* A bit-by-value that indicates whether the API should
* insert the current and all previously supplied language
* structures into the IMS Message Queue.

```

```

*
* @param @dfs_cee_feedback_ptr,
*   A pointer-by-value to an instance of @dfs_cee_feedback
*   which defines a Language Environment Condition Token.
*   The supplied instance is updated each time the API invokes
*   Language Environment Callable Services. If a return code of
*   998 is received from the API, use the publication Language
*   Environment Run-Time Messages (SA22-7566-10) to inspect
*   the contents of the condition token and determine the
*   cause of the error.
*
* @param @dfs_debug,
*   An optional bit that indicates whether or not
*   trace information should be displayed by the API.
*   Under normal circumstances trace information is written
*   to standard out and therefore can be found in the
*   job log of the Message Processing Region.
*
* @return One of the following codes will be returned by the API,
*   o @dfs_success
*   o @dfs_omitted_parameter
*   o @dfs_invalid_pointer
*   o @dfs_invalid_dfs_struct_type
*   o @dfs_invalid_struct_order
*   o @dfs_invalid_struct_size
*   o @dfs_invalid_struct_name
*   o @dfs_struct_already_set
*   o @dfs_invalid_segment_size
*   o @dfs_cee_call_failure
*   o @dfs_dli_call_failure
*****/
dcl DFSQSETS entry(pointer byvalue, pointer byvalue,
  fixed bin(31) byvalue, wchar(100) varying byaddr,
  pointer byvalue, fixed bin(31) byvalue, bit(1) byvalue,
  pointer byvalue, bit(1) optional) returns(fixed bin(31));

/*****
* DFSXGETS,
*   Get a language structure that contains either the SOAP
*   Header, SOAP Body, or SOAP Fault. Since the IMS Message
*   Queue is not available to XML Conversion in IMS Connect,
*   language structures are retrieved from the IMS Connect input
*   buffer. The expected format of the IMS Connect input buffer
*   is an [LLZZDATA]+ byte stream. This API is for use by PL/I
*   XML Converters running in IMS Connect. It is not to be used
*   by an MPP.
*
* @param @dfs_async_msg_header_ptr,
*   A pointer-by-value to the instance of @dfs_async_msg_header
*   that was retrieved from the first segment of the IMS Connect
*   input buffer prior to invoking the API.
*
* @param @dfs_icon_buf_ptr,
*   A pointer-by-value to the IMS Connect input message buffer.
*   The expected format of the buffer is an array of LLZZDATA.
*
* @param @dfs_icon_buf_size,
*   An integer-by-value that specifies the length in bytes of
*   the buffer supplied in parameter @dfs_icon_buf_ptr.
*
* @param @dfs_struct_type,
*   An integer-by-value that specifies which language structure
*   to retrieve from the MPP's input message. The following
*   constants defined in include file DFSPWSH may be used:
*   @dfs_soap_header_struct, @dfs_soap_body_struct,
*   @dfs_soap_fault_struct.
*
* @param @dfs_struct_name,
*   A string-by-reference which contains the name of the
*   language structure that the API should retrieve from the
*   IMS Connect input buffer. This value of this parameter
*   must correspond to the value of parameter @dfs_struct_type.
*
* @param @dfs_struct_ptr,
*   A pointer-by-reference into which the API will write the
*   address of a buffer that contains the bytes of the structure
*   that corresponds to the values specified for parameters
*   @dfs_struct_type and @dfs_struct_name. This buffer must be
*   freed by the XML Converter prior to returning to IMS Connect
*   because the Language Environment enclave in which the XML
*   Converters execute is persistent.
*

```

```

* @param @dfs_struct_size,
*   An integer-by-reference into which the API will write the
*   size in bytes of the structure that corresponds to the
*   specified values of parameters @dfs_struct_type
*   and @dfs_struct_name.
*
* @param @dfs_cee_feedback_ptr,
*   A pointer-by-value to an instance of @dfs_cee_feedback
*   which defines a Language Environment Condition Token.
*   The supplied instance is updated each time the API invokes
*   Language Environment Callable Services. If a return code of
*   998 is received from the API, use the publication Language
*   Environment Run-Time Messages (SA22-7566-10) to inspect
*   the contents of the condition token and determine the
*   cause of the error.
*
* @param @dfs_debug,
*   An optional bit that indicates whether or not
*   trace information should be displayed by the API.
*   Under normal circumstances trace information is written
*   to standard out and therefore can be found in the
*   IMS Connect job log.
*
* @return One of the following codes will be returned by the API,
*   o @dfs_success
*   o @dfs_omitted_parameter
*   o @dfs_invalid_pointer
*   o @dfs_invalid_dfs_struct_type
*   o @dfs_struct_not_found
*   o @dfs_struct_name_mismatch
*   o @dfs_invalid_struct_order
*   o @dfs_icon_buf_exhausted
*   o @dfs_cee_call_failure
*****/
dc1 DFSXGETS entry(pointer byvalue, pointer byvalue,
  fixed bin(31) byvalue, fixed bin(31) byvalue,
  wchar(100) varying byaddr, pointer byaddr, fixed bin(31) byaddr,
  pointer byvalue, bit(1) optional) returns(fixed bin(31));

/*****
* DFSXSETS,
*   Set a language structure that contains either the SOAP
*   Header, SOAP Body, or SOAP Fault. This API does not
*   copy language structures into the IMS Connect output buffer
*   until instructed to do so via parameter @dfs_commit_structs.
*   Therefore it is an error to deallocate or otherwise
*   invalidate structure pointers passed to the API via parameter
*   @dfs_struct_ptr before instructing the API to commit (copy)
*   all structures to the IMS Connect output buffer.
*   This API is for use by PL/I XML Converters running in IMS
*   Connect. It is not to be used by an MPP.
*
* @param @dfs_async_msg_header_ptr,
*   A pointer-by-value to the instance of @dfs_async_msg_header
*   that will be sent as the first segment of the IMS message.
*
* @param @dfs_icon_buf_ptr,
*   A pointer-by-value to the IMS Connect output message buffer.
*   The expected format of the buffer is an array of LLZZDATA.
*
* @param @dfs_icon_buf_size,
*   An integer-by-value that specifies the length in bytes of
*   the buffer supplied in parameter @dfs_icon_buf_ptr.
*
* @param @dfs_icon_buf_used,
*   An integer-by-reference into which the API will write
*   the number of bytes that were required to format the
*   language structure as a multi-segment IMS message
*   in the IMS Connect output buffer. The value of this
*   parameter will always be greater than the actual size
*   of the language structure by at least 4 bytes.
*
* @param @dfs_struct_type,
*   An integer-by-value that specifies which language structure
*   to set in the IMS Connect output buffer. The following
*   constants defined in include file DFSPWSH may be used:
*   @dfs_soap_header_struct, @dfs_soap_body_struct,
*   @dfs_soap_fault_struct.
*
* @param @dfs_struct_name,
*   A string-by-reference which contains the name of the
*   language structure that corresponds to the supplied value of

```

```

*   the @dfs_struct_type parameter.
*
* @param @dfs_struct_ptr,
*   A pointer-by-value to the language structure that
*   corresponds to the values specified for parameters
*   @dfs_struct_type and @dfs_struct_name.
*
* @param @dfs_struct_size,
*   An integer-by-value that specifies the size in bytes of the
*   language structure.
*
* @param @dfs_commit_structs,
*   A bit-by-value that indicates whether the API should
*   copy the current and all previously supplied language
*   structures into the IMS Connect output buffer.
*
* @param @dfs_cee_feedback_ptr,
*   A pointer-by-value to a Language Environment Condition Token
*   (@dfs_cee_feedback) that is updated by the API after each
*   invocation of a Language Environment Callable Service. When
*   a RETURN_CODE of 998 is received from the API, use the
*   publication Language Environment Run-Time Messages
*   (SA22-7566-10) to inspect the contents of the condition
*   token and determine the cause of the error.
*
* @param @dfs_debug,
*   An optional bit that indicates whether or not
*   trace information should be displayed by the API.
*   Under normal circumstances trace information is written
*   to standard out and therefore can be found in the
*   IMS Connect job log.
*
* @return One of the following codes will be returned by the API,
*   o @dfs_success
*   o @dfs_omitted_parameter
*   o @dfs_invalid_pointer
*   o @dfs_invalid_dfs_struct_type
*   o @dfs_invalid_struct_order
*   o @dfs_invalid_struct_size
*   o @dfs_invalid_struct_name
*   o @dfs_struct_already_set
*   o @dfs_invalid_segment_size
*   o @dfs_icon_buf_exhausted
*   o @dfs_cee_call_failure
*****/
dcl DFSXSETS entry(pointer byvalue, pointer byvalue,
  fixed bin(31) byvalue, fixed bin(31) byaddr,
  fixed bin(31) byvalue, wchar(100) varying byaddr,
  pointer byvalue, fixed bin(31) byvalue, bit(1) byvalue,
  pointer byvalue, bit(1) optional) returns(fixed bin(31));

/*****
* DFSB64E,
*   This API encodes an input buffer using the base64 encoding
*   scheme specified by RFC 3548 available at
*   http://tools.ietf.org/html/rfc3548.
*
* @param @bin_input_buf_ptr (input),
*   A pointer-by-value to the binary buffer to encode in base64.
*   The base64 sequence will be encoded in UTF-16.
*
* @param @bin_input_buf_len (input),
*   An integer-by-value that specifies the length in bytes of
*   the binary buffer supplied in parameter @bin_input_buf_ptr.
*
* @param @b64_output_buf_ptr (input),
*   A pointer-by-value to a buffer in which to write the base64
*   representation of the supplied binary buffer
*   @bin_input_buf_ptr(1:@bin_input_buf_len). The buffer pointed
*   to by this parameter must have a minimum length in bytes of
*   [4 * floor( ( @bin_input_buf_len + 2 ) / 3 )]. If this
*   parameter is set to null, the API will write the length
*   in bytes of the base64 result to parameter
*   @b64_output_buf_len but will not actually perform encoding.
*
* @param @b64_output_buf_len (input),
*   An integer-by-reference into which the API will write the
*   length in bytes of the base64 sequence that was written to
*   the buffer pointed to by parameter @b64_output_buf_ptr.
*   Recall that result will be encoded in UTF-16.
*
* @return This API does not return any codes.

```

```

*****/
dcl DFSB64E entry(pointer byvalue, fixed bin(31) byvalue,
  pointer byvalue, fixed bin(31) byaddr);

/*****
* DFSB64D,
*   This API decodes a base64 input buffer by reversing the
*   encoding scheme specified by RFC 3548
*   available at http://tools.ietf.org/html/rfc3548.
*
* @param @b64_input_buf_ptr (input),
*   A pointer-by-value to the base64 buffer to decode.
*   The base64 sequence must be encoded in UTF-16.
*
* @param @b64_input_buf_len (input),
*   An integer-by-value that specifies the length in bytes of
*   the base64 buffer supplied in parameter @b64_input_buf_ptr.
*
* @param @bin_output_buf_ptr (input),
*   A pointer-by-value to a buffer in which to write the decoded
*   representation of the supplied base64 buffer
*   @b64_input_buf_ptr(1:@b64_input_buf_len). If this
*   parameter is set to null, the API will write the length
*   in bytes of the decoded result to parameter
*   @bin_output_buf_len but will not actually perform decoding.
*
* @param @bin_output_buf_len (input),
*   An integer-by-reference into which the API will write the
*   length in bytes of the decoded result that was written
*   to the buffer pointed to by parameter @bin_output_buf_ptr).
*
* @return This API does not return any codes.
*****/
dcl DFSB64D entry(pointer byvalue, fixed bin(31) byvalue,
  pointer byvalue, fixed bin(31) byaddr);

```

Related concepts

[WSDL-to-PL/I segmentation APIs for adding business logic in generated PL/I templates \(Application Programming\)](#)

DFSQGETS

The DFSQGETS API retrieves a SOAP structure from the IMS Message Queue and returns the information to the caller in a high-level language structure.

The structures and variables referred to in this topic are defined in the include file DFSPWSH (see [“Include file DFSPWSH”](#) on page 565).

Usage:

- You must retrieve all structures in the IMS Message Queue using DFSQGETS before invoking DFSQSETS to put structures into it.

Limitations:

- DFSQGETS supports the retrieval of SOAP Body and SOAP Fault structures only. The SOAP Header structure is not supported.

Parameters:

Table 150. Parameters for DFSQGETS

Parameter	Type	Usage	Description
@dfs_async_msg_header_ptr	POINTER BYVALUE	Input	<p>A pointer-by-value to the instance of @dfs_async_msg_header that the Message Processing Program (MPP) retrieves from the IMS Message Queue prior by issuing a Get Unique (GU) call using the CEETDLI interface.</p> <p>Important: This instance must be passed on all calls to DFSQGETS and DFSQSETS.</p>
@dfs_iopcb_ptr	POINTER BYVALUE	Input	<p>A pointer-by-value to the I/O PCB that was passed to the Message Processing Program (MPP) on entry by IMS. DFSQGETS uses this I/O PCB when invoking CEETDLI to interact with the IMS Message Queue.</p> <p>Note: If the return code from DFSQGETS is 999 then inspect the I/O PCB to determine the cause of the error.</p>
@dfs_struct_type	SIGNED FIXED BIN(31) BYVALUE	Input	<p>An integer-by-value specifying the type of the language structure to retrieve from the IMS Message Queue. The following constants defined in the include file DFSPWSH can be used: @dfs_soap_body_struct.</p>
@dfs_struct_name	WCHAR(100) VARYING BYADDR	Input	<p>A string-by-reference containing the name of the language structure to retrieve from the IMS Message Queue. The value of this parameter must correspond to the value of the parameter @dfs_struct_type.</p>
@dfs_struct_ptr	POINTER BYADDR	Output	<p>A pointer-by-reference to a newly allocated storage block containing the returned language structure.</p> <p>Important: This storage block resides in the same address space as the caller. Therefore it is highly recommended that the caller free this storage block when it is no longer needed.</p>
@dfs_struct_size	SIGNED FIXED BIN(31) BYADDR	Output	<p>An integer-by-reference containing the size in bytes of the returned language structure.</p>

Table 150. Parameters for DFSQGETS (continued)

Parameter	Type	Usage	Description
@dfs_cee_feedback_ptr	POINTER BYVALUE	Input	A pointer-by-value to an instance of @dfs_cee_feedback defining a Language Environment® Condition Token. This instance is updated each time DFSQGETS invokes Language Environment Callable Services. Note: If the return code from DFSQGETS is 998 then use the publication <i>Language Environment Run-Time Messages (SA22-7566-10)</i> to inspect the contents of the condition token and determine the cause of the error.
@dfs_debug	BIT(1) OPTIONAL	Input	An optional bit indicating whether DFSQGETS should display trace information (see Trace output for WSDL-to-PL/I segmentation APIs (Application Programming)).

Return codes:

The return codes for DFSQGETS are constants defined in the DFSPWSH include file:

Table 151. Return codes for DFSQGETS

Type:	Name:	Value:
SIGNED FIXED BIN(31)	@dfs_success	000
	@dfs_omitted_parameter	100
	@dfs_invalid_pointer	101
	@dfs_invalid_struct_type	102
	@dfs_struct_not_found	103
	@dfs_struct_name_mismatch	104
	@dfs_invalid_struct_order	105
	@dfs_cee_call_failure	998
	@dfs_dli_call_failure	999

Example invocation of DFSQGETS

```

01: /* Invoke API DFSQGETS to retrieve the SOAP body
02: * language structure from the IMS Message Queue.
03: */
04: @dfs_struct_name      = 'RequestBodyStruct';
05: @dfs_cee_feedback_ptr = addr(@dfs_cee_feedback);
06: @dfs_debug = '0'b;
07:
08: @return_code =
09:   DFSQGETS(@dfs_async_msg_header_ptr,
10:   @dfs_iopcb_mask_ptr, @dfs_soap_body_struct,
11:   @dfs_struct_name, @dfs_struct_ptr,
12:   @dfs_struct_size, @dfs_cee_feedback_ptr,
13:   @dfs_debug);
14:

```

```

15: if (@return_code != @dfs_success) then do;
16:     display('MYMPP#handle_myOperation(): ');
17:     || 'ERROR, DFSQSETS @dfs_soap_body_struct, '
18:     || '@return_code: ' || trim(@return_code) || '.';
19:     return;
20: end; else do;
21:     RequestBodyStruct_ptr = @dfs_struct_ptr;
22: end;

```

DFSQSETS

The DFSQSETS API creates a SOAP structure from the information in a language structure passed as input. Also, when specified, DFSQSETS copies the current SOAP structure and all previously supplied SOAP structures into the IMS Message Queue.

The structures and variables referred to in this topic are defined in DFSPWSH (see [“Include file DFSPWSH”](#) on page 565).

Usage:

- Do not deallocate or otherwise invalidate structure pointers passed to DFSQSETS via the parameter @dfs_struct_ptr until you have committed the IMS multi-segment message to the IMS Message Queue by calling DFSQSETS with the @dfs_commit_structs bit set.
- You must retrieve all structures in the IMS Message Queue using DFSQGETS before invoking DFSQSETS to put structures into it.

Limitations:

- DFSQSETS does not support the storing of a SOAP Header structure.

Parameters:

Table 152. Parameters for DFSQSETS

Parameter	Type	Usage	Description
@dfs_async_msg_header_ptr	POINTER BYVALUE	Output	A pointer-by-value to the instance of @dfs_async_msg_header that the Message Processing Program (MPP) retrieves from the IMS Message Queue prior by issuing a Get Unique (GU) call using the CEETDLI interface. Important: This instance must be passed on all calls to DFSQGETS and DFSQSETS.
@dfs_iopcb_ptr	POINTER BYVALUE	Input	A pointer-by-value to the I/O PCB that was passed to the Message Processing Program (MPP) on entry by IMS. DFSQSETS uses this I/O PCB when invoking CEETDLI to interact with the IMS Message Queue. Note: If the return code from DFSQSETS is 999 then inspect the I/O PCB to determine the cause of the error.
@dfs_struct_type	SIGNED FIXED BIN(31) BYVALUE	Input	An integer-by-value specifying the type of the language structure to set in the IMS message. The following constants defined in include file DFSPWSH can be used: @dfs_soap_body_struct.

Table 152. Parameters for DFSQSETS (continued)

Parameter	Type	Usage	Description
@dfs_struct_name	WCHAR(100) VARYING BYADDR	Input	A string-by-reference containing the name of the language structure to set in the IMS message. The value of this parameter must correspond to the value of the parameter @dfs_struct_type.
@dfs_struct_ptr	POINTER BYVALUE	Input	A pointer-by-reference to the language structure to set in the IMS message. Note: This value must correspond to the values specified for the parameters @dfs_struct_type and @dfs_struct_name.
@dfs_struct_size	SIGNED FIXED BIN(31) BYVALUE	Input	An integer-by-value specifying the size in bytes of the language structure pointed to by @dfs_struct_ptr.
@dfs_commit_structs	BIT(1) BYVALUE	Input	A bit-by-value that indicating whether DFSQSETS should insert the current language structure and all previously supplied language structures into the IMS Message Queue.
@dfs_cee_feedback_ptr	POINTER BYVALUE	Input	A pointer-by-value to an instance of @dfs_cee_feedback defining a Language Environment Condition Token. This instance is updated each time DFSQSETS invokes Language Environment Callable Services. Note: If the return code from DFSQSETS is 998 then use the publication <i>Language Environment Run-Time Messages (SA22-7566-10)</i> to inspect the contents of the condition token and determine the cause of the error.
@dfs_debug	BIT(1) OPTIONAL	Input	An optional bit indicating whether DFSQSETS should display trace information (see Trace output for WSDL-to-PL/I segmentation APIs (Application Programming)).

Return codes:

The return codes for DFSQSETS are constants defined in the DFSPWSH include file:

Table 153. Return codes for DFSQSETS

Type:	Name:	Value:
SIGNED FIXED BIN(31)	@dfs_success	000
	@dfs_omitted_parameter	100
	@dfs_invalid_pointer	101
	@dfs_invalid_struct_type	102
	@dfs_struct_not_found	103
	@dfs_struct_name_mismatch	104
	@dfs_invalid_struct_order	105
	@dfs_invalid_segment_size	109
	@dfs_cee_call_failure	998
	@irz_dli_call_failure	999

Example invocation of DFSQSETS

```

01: /* Invoke API DFSQSETS to set the SOAP body language
02: * structure and commit it to the IMS Message Queue.
03: */
04: @irz_struct_name      = 'ResponseBodyStruct';
05: @irz_struct_ptr       = ResponseBodyStruct_ptr;
06: @dfs_struct_size      = storage(ResponseBodyStruct);
07: @dfs_commit_structs   = '1'b;
08: @dfs_cee_feedback_ptr = addr(@dfs_cee_feedback);
09: @dfs_debug            = '0'b;
10:
11: @return_code =
12:   DFSQSETS(@dfs_async_msg_header_ptr,
13:   @dfs_iopcb_mask_ptr, @dfs_soap_body_struct,
14:   @dfs_struct_name, @dfs_struct_ptr,
15:   @dfs_struct_size, @dfs_commit_structs,
16:   @dfs_cee_feedback_ptr, @dfs_debug);
17:
18: if (@return_code != @dfs_success) then do;
19:   display('MYMPP#handle_myOperation(): '
20:   || 'ERROR, DFSQSETS @dfs_soap_body_struct, '
21:   || '@return_code: ' || trim(@return_code) || '.');
22:   return;
23: end;

```

DFSXGETS

The DFSXGETS API retrieves a SOAP structure from the IMS Connect input buffer and returns the information to the caller in a high-level language structure.

Because the IMS Message Queue is not available to XML Conversion in IMS Connect, DFSXGETS retrieves language structures from the IMS Connect input buffer. The expected format of the IMS Connect input buffer is an array of IMS message segments (LLZZDATA).

The structures and variables referred to in this topic are defined in the include file DFSPWSH (see “Include file DFSPWSH” on page 565).

Note: This API is for use by PL/I XML converters running in IMS Connect. It is not to be used by a message processing program (MPP).

Restrictions:

- DFSXGETS supports the retrieval of SOAP Body and SOAP Fault structures only. The SOAP Header structure is not supported.

Parameters:*Table 154. Parameters for DFSXGETS*

Parameter	Type	Usage	Description
@dfs_async_msg_header_ptr	POINTER BYADDR	Output	A pointer-by-reference to the instance of @dfs_async_msg_header that was received in the IMS Connect input buffer.
@dfs_icon_buf_ptr	POINTER BYVALUE	Input	A pointer-by-value to the IMS Connect input message buffer. The expected format of the buffer is an array of LLZZDATA.
@dfs_icon_buf_len	SIGNED FIXED BIN(31) BYVALUE	Input	An integer-by-value specifying the length in bytes of the buffer pointed to by @dfs_icon_buf_ptr.
@dfs_struct_type	SIGNED FIXED BIN(31) BYVALUE	Input	An integer-by-value specifying the type of structure to retrieve from the IMS Connect input buffer. The following constants defined in the include file DFSPWSH can be used: @dfs_soap_body_struct.
@dfs_struct_name	WCHAR(100) VARYING BYADDR	Input	A string-by-reference containing the name of the language structure to retrieve from the IMS Connect input buffer. The value of this parameter must correspond to the value of the parameter @dfs_struct_type.
@dfs_struct_ptr	POINTER BYADDR	Output	A pointer-by-reference into which DFSXGETS writes the address of a buffer containing the bytes of the structure requested in parameters @dfs_struct_type and @dfs_struct_name. Important: This buffer must be freed by the XML Converter prior to returning to IMS Connect because the Language Environment enclave in which the XML Converters execute is persistent.
@dfs_struct_size	SIGNED FIXED BIN(31) BYADDR	Output	An integer-by-reference into which DFSXGETS writes the size in bytes of the structure returned in the parameter @dfs_struct_ptr.

Table 154. Parameters for DFSXGETS (continued)

Parameter	Type	Usage	Description
@dfs_cee_feedback_ptr	POINTER BYVALUE	Input	A pointer-by-value to an instance of @dfs_cee_feedback defining a Language Environment Condition Token. This instance is updated each time DFSXGETS invokes Language Environment Callable Services. Note: If the return code from DFSXGETS is 998 then use the publication <i>Language Environment Run-Time Messages (SA22-7566-10)</i> to inspect the contents of the condition token and determine the cause of the error.
@dfs_debug	BIT(1) OPTIONAL	Input	An optional bit indicating whether DFSXGETS should display trace information (see Trace output for WSDL-to-PL/I segmentation APIs (Application Programming)).

Return codes:

The return codes for DFSXGETS are constants defined in the DFSPWSH include file:

Table 155. Return codes for DFSXGETS

Type:	Name:	Value:
SIGNED FIXED BIN(31)	@dfs_success	000
	@dfs_omitted_parameter	100
	@dfs_invalid_pointer	101
	@dfs_invalid_struct_type	102
	@dfs_struct_not_found	103
	@dfs_struct_name_mismatch	104
	@dfs_invalid_struct_order	105
	@dfs_icon_buf_exhausted	997
	@dfs_cee_call_failure	998

DFSXSETS

The DFSXSETS API creates a SOAP structure from the information in a language structure passed as input. Also, when specified, DFSXSETS copies the current SOAP structure and all previously supplied SOAP structures into the IMS Connect output buffer.

Because the IMS Message Queue is not available to XML Conversion in IMS Connect, DFSXSETS inserts language structures into the IMS Connect output buffer. The format of the IMS Connect output buffer is an array of IMS message segments (LLZZDATA).

The structures and variables referred to in this topic are defined in DFSPWSH (see [“Include file DFSPWSH”](#) on page 565).

Note: This API is for use by PL/I XML converters running in IMS Connect. It is not to be used by a message processing program (MPP).

Limitations:

- DFSXSETS does not support the storing of a SOAP Header structure.

Parameters:

Table 156. Parameters for DFSXSETS

Parameter	Type	Usage	Description
@dfs_async_msg_header_ptr	POINTER BYVALUE	Input	A pointer-by-value to the instance of @dfs_async_msg_header that is to be sent as the first segment of the IMS message.
@dfs_icon_buf_ptr	POINTER BYVALUE	Input	A pointer-by-value to the IMS Connect output message buffer. The expected format of the buffer is an array of IMS message segments (LLZZDATA).
@dfs_icon_buf_len	SIGNED FIXED BIN(31) BYVALUE	Input	An integer-by-value specifying the length in bytes of the buffer pointed to by @dfs_icon_buf_ptr.
@dfs_icon_buf_used	SIGNED FIXED BIN(31) BYADDR	Output	An integer-by-reference into which DFSXSETS writes the number of bytes that are required to format the language structure as a multisegment IMS message in the IMS Connect output buffer. The value of this parameter is always greater than the actual size of the language structure by at least 4 bytes.
@dfs_struct_type	SIGNED FIXED BIN(31) BYVALUE	Input	An integer-by-value specifying the type of language structure to set in the IMS Connect output buffer. The following constants defined in include file DFSPWSH can be used: @dfs_soap_body_struct.
@dfs_struct_name	WCHAR(128) VARYING BYADDR	Input	A string-by-reference containing the name of the language structure that corresponds to the value of the parameter @dfs_struct_type.
@dfs_struct_ptr	POINTER BYVALUE	Input	A pointer-by-value to a structure corresponding to the structure specified in parameters @dfs_struct_type and @dfs_struct_name.
@dfs_struct_size	SIGNED FIXED BIN(31) BYVALUE	Input	An integer-by-value specifying the size in bytes of the structure pointed to by parameter @dfs_struct_ptr.

Table 156. Parameters for DFSXSETS (continued)

Parameter	Type	Usage	Description
@dfs_commit_structs	BIT(1) BYVALUE	Input	A bit-by-value indicating whether DFSXSETS should copy the current language structure and all previously supplied language structures into the IMS Connect output buffer.
@dfs_cee_feedback_ptr	POINTER BYVALUE	Input	A pointer-by-value to an instance of @dfs_cee_feedback defining a Language Environment Condition Token. This instance is updated each time DFSXSETS invokes Language Environment Callable Services. Note: If the return code from DFSXSETS is 998 then use the publication <i>Language Environment Run-Time Messages (SA22-7566-10)</i> to inspect the contents of the condition token and determine the cause of the error.
@dfs_debug	BIT(1) OPTIONAL	Input	An optional bit indicating whether DFSXSETS should display trace information (see Trace output for WSDL-to-PL/I segmentation APIs (Application Programming)).

Return codes:

The return codes for DFSXSETS are constants defined in the DFSPWSH include file:

Table 157. Return codes for DFSXSETS

Type:	Name:	Value:
SIGNED FIXED BIN(31)	@dfs_success	000
	@dfs_omitted_parameter	100
	@dfs_invalid_pointer	101
	@dfs_invalid_struct_type	102
	@dfs_invalid_struct_order	105
	@dfs_invalid_struct_size	106
	@dfs_invalid_struct_name	107
	@dfs_struct_already_set	108
	@dfs_invalid_segment_size	109
	@dfs_icon_buf_exhausted	997
	@dfs_cee_call_failure	998

Return codes from the DFSPWSIO APIs

This topic describes the return codes from the DFSPWSIO APIs.

The following table describes the return codes:

Table 158. Return codes from the DFSPWSIO APIs

Value	DFSPWSH constant	Description
000	@dfs_success	The API completed successfully.
100	@dfs_omitted_parameter	A required parameter was not specified to the API.
101	@dfs_invalid_pointer	The value of a pointer supplied to the API specified an invalid memory address.
102	@dfs_invalid_struct_type	The language structure type specified to the API was not one of DFSPWSH.@dfs_soap_header_struct, DFSPWSH.@dfs_soap_body_struct, or DFSPWSH.@dfs_soap_fault_struct.
103	@dfs_struct_not_found	A language structure with the specified type was not found in the IMS message.
104	@dfs_struct_name_mismatch	A language structure of the specified type was found in the IMS message, but the specified name does not match.
105	@dfs_invalid_struct_order	An attempt to get or set a language structure out of order was detected. For example, it is an error to attempt to get the SOAP body structure before getting the SOAP header structure, if a SOAP header is present in the IMS message.
106	@dfs_invalid_struct_size	The size of the language structure specified to the API was invalid (≤ 0) or exceeded the maximum (see DFSPWSH.@dfs_message_max_data).
107	@dfs_invalid_struct_name	The specified language structure name was not a valid PL/I identifier.
108	@dfs_struct_already_set	The specified language structure type already exists in the IMS message.
109	@dfs_invalid_segment_size	The segment size specified in IMS Connect parameter XMPAMAXS is invalid (≤ 5 or ≥ 32767).
995	@dfs_fetch_failure	The API was unable to fetch a required load module from the available libraries. An instance of Enterprise PL/I runtime message IBM0590S was generated prior to receiving this return code.
997	@dfs_icon_buf_exhausted	The API was unable to get or set a language structure because it encountered the end of the IMS Connect input or output buffer. This error may only be raised when Compiled XML Conversion invokes the API.
998	@dfs_cee_call_failure	An error was encountered by the API when it invoked a Language Environment callable service. Inspect the Language Environment condition token supplied in parameter @dfs_cee_feedback_ptr for more information.

Table 158. Return codes from the DFSPWSIO APIs (continued)

Value	DFSPWSH constant	Description
999	@dfs_dli_call_failure	An error was encountered by the API when it invoked the CEETDLI interface. Inspect the IOPCB supplied in parameter @dfs_iopcb_ptr for more information.

The following table shows the return codes used by each API:

Table 159. Return codes used by each API

Value	DFSPWSH constant	DFSQGETS	DFSQSETS	DFSXGETS	DFSXSETS
000	@dfs_success	X	X	X	X
100	@dfs_omitted_parameter	X	X	X	X
101	@dfs_invalid_pointer	X	X	X	X
102	@dfs_invalid_struct_type	X	X	X	X
103	@dfs_struct_not_found	X			
104	@dfs_struct_name_mismatch	X		X	
105	@dfs_invalid_struct_order	X	X	X	X
106	@dfs_invalid_struct_size		X		X
107	@dfs_invalid_struct_name		X		X
108	@dfs_struct_already_set		X		X
109	@dfs_invalid_segment_size		X		X
995	@dfs_fetch_failure	X	X	X	X
997	@dfs_icon_buf_exhausted			X	X
998	@dfs_cee_call_failure	X	X	X	
999	@dfs_dli_call_failure	X	X		X

¹At runtime these error codes are cited by messages IRZ0500S and IRZ0501S, even though the APIs are internal to compiled XML conversion.

Related information

[PL/I run-time messages](#)

Chapter 8. SQL programming reference

These topics provide the reference information for Structured Query Language (SQL) for IMS.

SQL concepts for IMS

Certain IMS concepts are important to understand when using Structured Query Language (SQL).

Structured query language

One language that you use to access the data in IMS is SQL. SQL is a standardized language for defining and manipulating data in a relational database.

The language consists of SQL statements. SQL statements let you retrieve, insert, update, or delete data in IMS databases.

When you write an SQL statement, you specify what you want done, not how to do it. To access data, for example, you need only to name the segment and fields that contain the data. You do not need to describe how to get to the data.

In accordance with the relational model of data:

- The database is perceived as a set of tables.
- Relationships are represented by values in tables.
- Data is retrieved by using SQL to specify a *result table* that can be derived from one or more tables.

IMS transforms each SQL statement, that is, the specification of a result table, into a sequence of operations for data retrieval or modifications.

All executable SQL statements must be prepared before they can run.

DDL SQL

IMS supports and extends the SQL data definition language (DDL).

IMS databases use a hierarchical database structure. The standard SQL DDL statements use parameters, keywords, and concepts that are based on relational database structures. While it is not always necessary to understand the hierarchical structure and associated concepts of IMS databases when creating or altering IMS databases with DDL, such an understanding will likely help you define IMS database structures that are more efficient and perform better. For more information about how relational database terms and concepts map to the hierarchical structures of IMS, see [Comparison of hierarchical and relational databases \(Application Programming\)](#).

Related concepts

[Using DDL to define databases and program views \(Database Administration\)](#)

Related reference

[Security for IMS DDL \(Database Administration\)](#)

Static SQL

The source form of a *static* SQL statement is embedded within an application program that is written in a host language such as COBOL. The statement is prepared before the program is executed and the operational form of the statement persists beyond the execution of the program.

In IMS Version 13 and later, static SQL is not supported for COBOL.

Dynamic SQL

Programs that contain embedded *dynamic* SQL statements must be precompiled like those that contain static SQL, but unlike static SQL, the dynamic statements are constructed and prepared at run time.

The source form of a dynamic statement is a character string that is passed to IMS by the program using the SQL PREPARE statement. A statement that is prepared using the PREPARE statement can be referenced in a DECLARE CURSOR, DESCRIBE, or EXECUTE statement.

Interactive SQL

Interactive SQL refers to SQL statements submitted using IMS Enterprise Suite Explorer for Development.

IMS data structures for SQL

SQL support allows you to issue standard SQL query to access IMS data instead of using DL/I calls. To use SQL calls in IMS application, you need to understand the difference between the hierarchical model for IMS databases and the standard relational database model since SQL calls are commonly used for relational databases. You also need to understand how IMS database elements are being mapped to relational database elements.

A database segment definition defines the fields for a set of segment instances similar to the way that a relational table defines columns for a set of rows in a table. In this regard, segments relate to tables, and fields in a segment relate to columns in a table. An occurrence of a segment in a database corresponds to a row in a table.

The following table summarizes the mapping between IMS database elements and relational database elements.

Table 160. Mapping between IMS database elements and relational database elements.

Hierarchical database elements in IMS	Equivalent relational database elements
Segment name	Table name
Segment instance	Table row
Segment field name	Column name
Segment unique key	Table primary key
Foreign key field	Table foreign key
PCB	Schema
Segment	Table
Field	Column
Record	Row
Data set group or Area	Tablespace

Related tasks

[Database design and implementation \(Database Administration\)](#)

Hierarchical and relational databases

There are differences between the hierarchical model for IMS databases and the standard relational database model.

IMS presents a relational model of a hierarchical database. In addition to the one-to-one mappings of terms, IMS can also show a hierarchical parentage through the primary or foreign key constraints.

For a comparison of the hierarchical and relational database models, see [Comparison of hierarchical and relational databases \(Application Programming\)](#).

Language elements

An understanding of the basic syntax of SQL and language elements that are common to many SQL statements can be helpful in using SQL with IMS.

The following topics provide information about these language elements:

Characters

The basic symbols of keywords and operators in the SQL language are *characters* that are classified as letters, digits, or special characters.

- A *letter* is any of the 26 uppercase (A through Z) and 26 lowercase (a through z) letters of the English alphabet.
- A *digit* is any one of the characters 0 through 9.
- A *special character* is any character other than a letter or a digit.

Tokens

The basic syntactical units of the SQL language are called *tokens*. A token consists of one or more characters of which none are blanks, control characters, or characters within a string constant or delimited identifier.

Tokens are classified as *ordinary* or *delimiter* tokens:

- An *ordinary token* is a numeric constant, an ordinary identifier, a host identifier, or a keyword.

Examples:

```
1      .1      +2      SELECT      E      3
```

- A *delimiter token* is a string constant, a delimited identifier, an operator symbol, or any of the special characters shown in the syntax diagrams. A question mark (?) is also a delimiter token when it serves as a parameter marker, as explained in [“PREPARE” on page 757](#).

Examples:

```
,      'string'      "fld1"      =      .
```

Spaces

A *space* is a sequence of one or more blank characters.

Uppercase and lowercase

A token in an SQL statement can include lowercase letters, but lowercase letters in an ordinary token are folded to uppercase. Delimiter tokens are never folded to uppercase.

Example: The following two statements, after folding, are equivalent:

```
select * from PCB01.HOSPITAL where hospname = 'Alexandria';
```

```
SELECT * FROM PCB01.HOSPITAL WHERE HOSPNAME = 'Alexandria';
```

Identifiers

An *identifier* is a token used to form a name. An identifier in an SQL statement is an SQL identifier or a host identifier.

SQL identifiers

SQL identifiers can be *ordinary identifiers* or *delimited identifiers*.

Ordinary identifiers

An *ordinary identifier* is an uppercase letter followed by zero or more characters, each of which is an uppercase letter, a digit, or the underscore character.

An ordinary identifier should not be a reserved word. If a reserved word is used as an identifier in SQL, it must be specified in uppercase and must be a delimited identifier or specified in a host variable.

Example: The following example is an ordinary identifier:

```
HOSPITAL
```

Host identifiers

A *host identifier* is a name declared in the host program.

Naming conventions

The rules for forming a name depend on the type of the object designated by the name.

The syntax diagrams use different terms for different types of names. The following list defines these terms.

column-name

A qualified or unqualified name that designates a column of a table.

A qualified column name is a qualifier followed by a period and an SQL identifier. The qualifier is a table name, a view name, a synonym, an alias, or a correlation name. The unqualified column name is an SQL identifier.

cursor-name

An SQL identifier that designates an SQL cursor.

descriptor-name

A host identifier that designates an SQL descriptor area (SQLIMSDA). See “References to host variables” on page 595 for a description of a host identifier. A descriptor name never includes an indicator variable.

host-variable

A sequence of tokens that designates a host variable. A host variable includes at least one host identifier, as explained in “References to host variables” on page 595.

statement-name

An SQL identifier that designates a prepared SQL statement.

table-name

A qualified or unqualified name that designates a table (IMS segment).

A one-part or unqualified table name is an SQL identifier with two implicit qualifiers.

Data types

IMS supports data types from SQL.

The smallest unit of data that can be manipulated in SQL is called a *value*. How values are interpreted depends on the data type of their source. The sources of values are:

- Columns

- Constants
- Expressions
- Variables (such as host variables and parameter markers)

The following image shows the built-in data types that IMS supports.

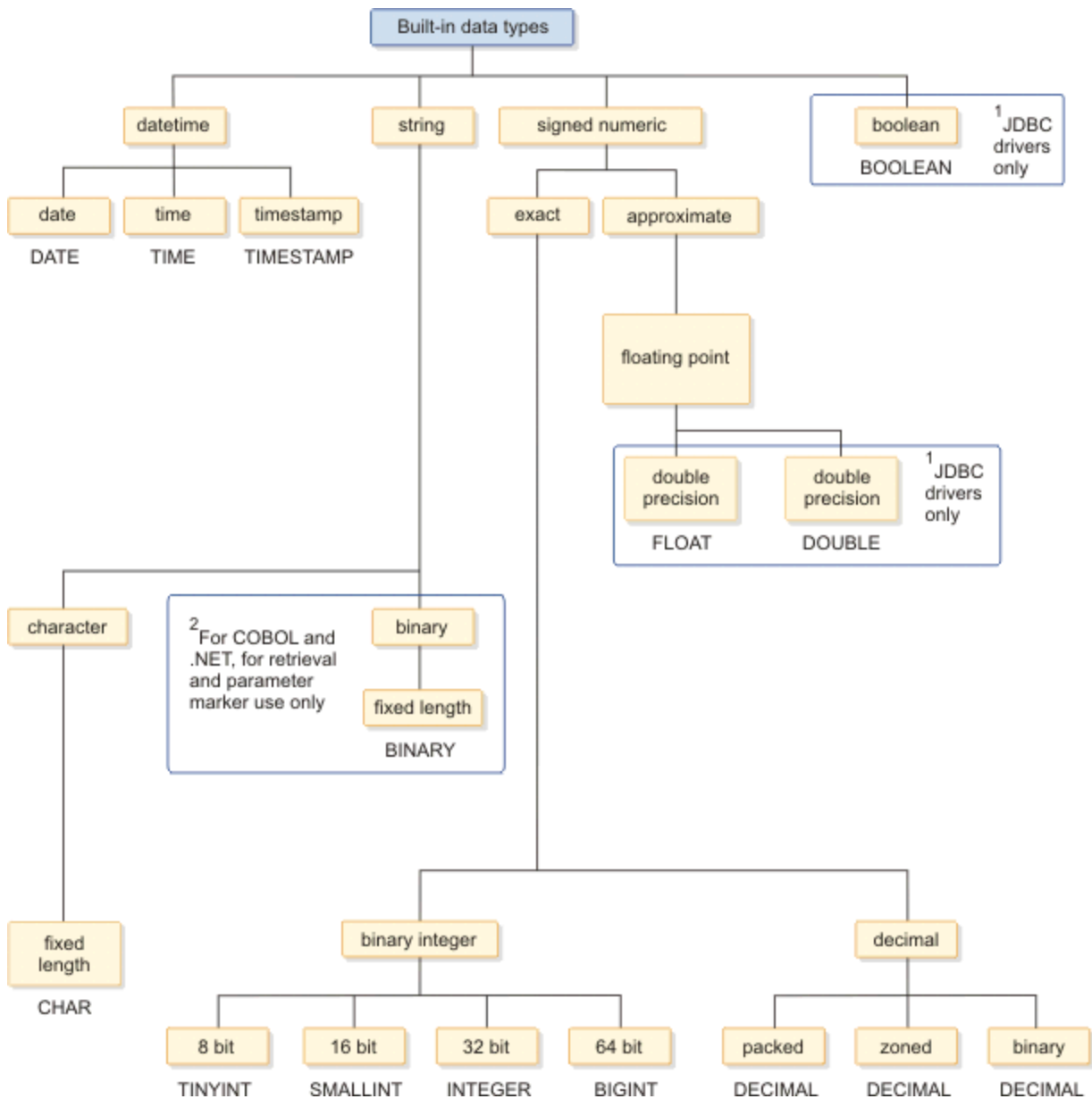


Figure 35. Built-in data types supported by IMS

Important:

1. BOOLEAN, FLOAT, DOUBLE, and fixed-length binary data types are supported only for Java application programs.
2. Fixed-length binary data type is supported for COBOL and .NET applications for retrieval and parameter marker use only.

Related concepts

Data transformation support for JDBC (Application Programming)

Related reference

COBOL copybook types that map to Java data types (Application Programming)

Nulls

All data types include the null value. Distinct from all non-null values, the null value is a special value that denotes the absence of a (non-null) value.

IMS does not support setting columns to null. However, IMS interprets certain cases as null. For instance, variable-length segments where a field lies outside the segment boundary and segments with multiple mappings where a specific mapping does not apply are interpreted as null.

Numbers

The numeric data types are categorized as exact numerics: binary integer and decimal; and approximate numerics: floating-point

Binary integer includes small integer, large integer, and big integer. Binary numbers are exact representations of integers. Decimal numbers are exact representations of real numbers. Binary and decimal numbers are considered exact numeric types. Floating-point includes double precision. Floating-point numbers are approximations of real numbers and are considered approximate numeric types.

All numbers have a sign, a precision, and a scale. If a column value is zero, the sign is positive. Decimal floating point has distinct values for a number and the same number with various exponents (for example: 0.0, 0.00, 0.0E5, 1.0, 1.00, 1.0000). The precision is the total number of binary or decimal digits excluding the sign. The scale is the total number of binary or decimal digits to the right of the decimal point. If there is no decimal point, the scale is zero.

Small integer (SMALLINT)

A *small integer* is a binary integer that occupies 2 bytes. The range of small integers is -32768 to +32767.

Large integer (INTEGER)

A *large integer* is a binary integer that occupies 4 bytes.

The range of large integers is -2147483648 to +2147483647.

Big integer (BIGINT)

A *big integer* is a binary integer that occupies 8 bytes.

The range of big integers is -9223372036854775808 to +9223372036854775807.

Double precision floating-point (DOUBLE or FLOAT)

A *double precision floating-point* number is a long (64 bits) floating-point number.

DOUBLE and FLOAT are not supported by SQL for COBOL.

The range of double precision floating-point numbers is about $-7.2E+75$ to $7.2E+75$. In this range, the largest negative value is about $-5.4E-79$, and the smallest positive value is about $5.4E-079$.

Decimal

A *decimal* number is a packed decimal number with an implicit decimal point.

The position of the decimal point is determined by the precision and the scale of the number. The scale, which is the number of digits in the fractional part of the number, cannot be negative or greater than the precision. The maximum precision is 31 digits.

All values of a decimal column have the same precision and scale. The range of a decimal variable or the numbers in a decimal column is $-n$ to $+n$, where n is the largest positive number that can be represented with the applicable precision and scale. The maximum range is $1 - 10^{31}$ to $10^{31} - 1$.

Numeric host variables

The COBOL format for binary numeric data is USAGE BINARY. BINARY, COMP, and COMP-4 are synonyms. Binary-format numbers occupy 2, 4, or 8 bytes of storage.

For COBOL, COMP-1 refers to short floating-point format and COMP-2 refers to long floating-point format, which occupy 4 and 8 bytes of storage, respectively.

In COBOL, decimal numbers can be represented in the following formats:

- Packed decimal format, denoted by USAGE PACKED-DECIMAL or COMP-3
- External decimal format, denoted by USAGE DISPLAY with SIGN LEADING SEPARATE

Character strings

A *character string* is a sequence of bytes. The length of the string is the number of bytes in the sequence. If the length is zero, the value is called the *empty string*. The empty string should not be confused with the null value.

Fixed-length character strings

When fixed-length character strings, columns, and variables are defined, the length attribute is specified, and all values have the same length. For a fixed-length character string, the length attribute must be between 1 and 255 inclusive.

Datetime values

Datetime values are neither strings nor numbers. Nevertheless, datetime values can be used in certain arithmetic and string operations and are compatible with certain strings.

Moreover, strings can represent datetime values.

Date

A *date* is a three-part value (year, month, and day) designating a point in time using the Gregorian calendar, which is assumed to have been in effect from the year 1 A.D.

The range of the year part is 0001 to 9999. The range of the month part is 1 to 12. The range of the day part is 1 to 28, 29, 30, or 31, depending on the month and year.¹

The internal representation of a date is a string of 4 bytes. Each byte consists of two packed decimal digits. The first 2 bytes represent the year, the third byte the month, and the last byte the day.

A character-string representation must have an actual length that is not greater than 255 bytes.

Time

A *time* is a three-part value (hour, minute, and second) designating a time of day using a 24-hour clock. The range of the hour part is 0 to 24. The range of the minute and second parts is 0 to 59. If the hour is 24, the minute and second parts are both zero.

The internal representation of a time is a string of 3 bytes. Each byte consists of two packed decimal digits. The first byte represents the hour, the second byte the minute, and the last byte the second.

A character-string representation must have an actual length that is not greater than 255 bytes.

Timestamp

A *timestamp* is a six-part or seven-part value (year, month, day, hour, minute, second, and optional fractional second) with an optional time zone specification, that represents a date and time.

In Java, timestamp maps with the type `java.sql.Timestamp`.

In COBOL, timestamp is a character string with an application-defined length,

¹ Historical dates do not always follow the Gregorian calendar. Dates between 1582-10-04 and 1582-10-15 are accepted as valid dates although they never existed in the Gregorian calendar.

Datetime host variables

Character-string host variables are normally used to contain date, time, and timestamp values.

Assignment and comparison

The basic operations of SQL are assignment and comparison.

Assignment operations are performed during the execution of statements such as INSERT and UPDATE statements. In addition, when a function is invoked or a stored procedure is called, the arguments of the function or stored procedure are assigned. Comparison operations are performed during the execution of statements that include predicates and other language elements such as ORDER BY.

The basic rule for both operations is that data types of the operands must be compatible.

The following table shows the compatibility of data types for assignments and comparisons.

Table 161. Data type compatibility for assignments and comparisons

Operand	BYTES	SHORT	INT	LONG	DOUBLE	BIT	CHAR	PACKED	ZONED	DATE	TIME	FLOAT	TIMESTAMP
BYTES	Yes	Yes	Yes	Yes	Yes	Yes	Yes	Yes	Yes	No	No	Yes	No
SHORT	Yes	Yes	Yes	Yes	Yes	Yes	Yes	Yes	Yes	No	No	Yes	No
INT	Yes	Yes	Yes	Yes	Yes	Yes	Yes	Yes	Yes	No	No	Yes	No
LONG	Yes	Yes	Yes	Yes	Yes	Yes	Yes	Yes	Yes	No	No	Yes	No
DOUBLE	Yes	Yes	Yes	Yes	Yes	Yes	Yes	Yes	Yes	No	No	Yes	No
BIT	Yes	Yes	Yes	Yes	Yes	Yes	Yes	Yes	Yes	No	No	Yes	No
CHAR	Yes	Yes	Yes	Yes	Yes	Yes	Yes	Yes	Yes	Yes	Yes	Yes	Yes
PACKED	Yes	Yes	Yes	Yes	Yes	Yes	Yes	Yes	Yes	No	No	Yes	No
ZONED	Yes	Yes	Yes	Yes	Yes	Yes	Yes	Yes	Yes	No	No	Yes	No
DATE	No	No	No	No	No	No	Yes	No	No	Yes	Yes	No	Yes
TIME	No	No	No	No	No	No	Yes	No	No	Yes	Yes	No	Yes
FLOAT	Yes	Yes	Yes	Yes	Yes	Yes	Yes	Yes	Yes	No	No	Yes	No
TIMESTAMP	No	No	No	No	No	No	Yes	No	No	Yes	Yes	No	Yes

Notes:

1. LOBs and bit data are not supported.
2. The compatibility of datetime values is limited to assignment and comparison:
 - Datetime values can be assigned to string columns and to string variables.
 - A valid string representation of a date can be assigned to a date column or compared to a date.
 - A valid string representation of a time can be assigned to a time column or compared to a time.
 - A valid string representation of a timestamp can be assigned to a timestamp column or compared to a timestamp.
3. Character strings can be assigned to XML columns.

String assignments

There are two types of string assignments; storage assignment and retrieval assignment.

- *Storage assignment* is when a value is assigned to a column.

- *Retrieval assignment* is when a value is assigned to a variable.

The rules differ for storage and retrieval assignment.

Character string assignment

The rules for storage and retrieval assignment apply when both the source and the target are strings.

Storage assignment

The basic rule for character storage assignment is that the length of a string that is assigned to a column or parameter of a function must not be greater than the length attribute of the column or the parameter.

Trailing blanks are included in the length of the string. When the length of the string is greater than the length attribute of the column or the parameter, the following actions occur:

- If all of the trailing characters that must be truncated to make a string fit the target are blanks and the string is a character or graphic string, the string is truncated and assigned without warning.
- Otherwise, the string is not assigned and an error occurs to indicate that at least one of the excess characters is non-blank.

When a string is assigned to a fixed-length column or parameter and the length of the string is less than the length attribute of the target, the string is padded to the right with the necessary number of blanks.

Retrieval assignment

In COBOL, the length of a string that is assigned to a host variable can be greater than the length attribute of the variable. When the length of the string is greater than the length of the variable, the string is truncated on the right by the necessary number of characters.

When truncation occurs, the value W is assigned to the SQLIMSWARN1 field of the SQLIMSCA.

When a character string is assigned to a fixed-length variable and the length of the string is less than the length attribute of the target, the string is padded to the right with the necessary number of blanks.

String comparisons

String comparisons can occur with binary string, character strings.

Character string comparisons

Two strings are compared by comparing the corresponding bytes of each string. If the strings do not have the same length, the comparison is made with a temporary copy of the shorter string that has been padded on the right with blanks so that it has the same length as the other string.

Two strings are equal if they are both empty or if all corresponding bytes are equal. An empty string is equal to a blank string. If two strings are not equal, their relationship (that is, which has the greater value) is determined by the comparison of the first pair of unequal bytes from the left end of the strings.

Constants

A *constant* (also called a *literal*) specifies a value. Constants are classified as string constants or numeric constants. Numeric constants are further classified as integer, floating-point, decimal, or decimal floating-point. String constants are classified as character or binary.

All constants have the attribute NOT NULL. A negative sign in a numeric constant with a value of zero is ignored, except for a decimal floating-point constant.

Integer constants

An *integer constant* specifies an integer as a signed or unsigned number with a maximum of 19 digits that does not include a decimal point.

The data type of an integer constant is large integer if its value is within the range of a large integer. The data type of an integer constant is big integer if its value is outside the range of a large integer, but within the range of a big integer. A constant that is defined outside the range of big integer values is considered a decimal constant.

Examples:

```
64      -15      +100     32767     720176
```

In syntax diagrams, the term *integer* is used for a large integer constant that must not include a sign.

Floating-point constants

A *floating-point constant* specifies a double-precision floating-point number as two numbers separated by an E.

The first number can include a sign and a decimal point. The second number can include a sign but not a decimal point. The value of the constant is the product of the first number and the power of 10 specified by the second number. It must be within the range of floating-point numbers. The number of characters in the constant must not exceed 30. Excluding leading zeros, the number of digits in the first number must not exceed 17 and the number of digits in the second must not exceed 2.

Examples: The following floating-point constants represent the numbers '150', '200000', -0.22, and '500':

```
15E1      2.E5      -2.2E-1    +5.E+2
```

Decimal constants

A *decimal constant* is a signed or unsigned number of no more than 31 digits and either includes a decimal point or is not within the range of binary integers.

The precision is the total number of digits, including those, if any, to the right of the decimal point. The total includes all leading and trailing zeros. The scale is the number of digits to the right of the decimal point, including trailing zeros.

Examples: The following decimal constants have, respectively, precisions and scales of 5 and 2; 4 and 0; 2 and 0; and 23 and 2:

```
025.50    1000.    -15.      +37589333333333333333.33
```

Character string constants

A *character string constant* specifies a varying-length character string. There is one form of character string constant.

- A sequence of characters that starts and ends with a string delimiter.

Examples:

```
'10/14/2013'  '32'  'DON'T CHANGE'  ''
```

The right most string in the example (") represents an empty character string constant, which is a string of zero length.

For COBOL, only character string EBCDIC 037 is supported.

Field names

The meaning of a field name depends on its context.

A field name can be used to:

- Identify a field.
- Specify values of the field, as in the following contexts:
 - In an *ORDER BY* clause, a field name specifies all values in the intermediate result table to which the clause is applied. For example, *ORDER BY HOSPNAME* orders an intermediate result table by the values of the field *HOSPNAME*.

- In a *search condition*, a field name specifies a value for each row or group to which the construct is applied. For example, when the search condition CODE = 20 is applied to some row, the value specified by the field name CODE is the value of the field CODE in that row.
- Provide a field name for an expression to temporarily rename a field, or as in the AS clause in the *select-clause*.

Qualified field names

A qualifier for a field name is a segment name.

Where a qualifier is optional, it can serve two purposes. See [“Field name qualifiers to avoid ambiguity”](#) on page 595 and for details.

Field name qualifiers to avoid ambiguity

In the context of an ORDER BY clause, an expression, or a search condition, a field name refers to values of a field in some segment or view in a DELETE or UPDATE statement or *table-reference* in a FROM clause.

One reason for qualifying a field name is to designate the object from which the field comes.

Table designators: A qualifier that designates a specific object table is called a *table designator*. The clause that identifies the object tables also establishes the table designators for them. For example, the object tables of an expression in a SELECT statement are named in the FROM clause that follows it, as in the following statement:

```
SELECT Z.HOSPCODE, WARDNO, WARDLL
FROM PCB01.HOSPITAL Z, PCB01.WARD
WHERE Z.HOSPNAME = 'ALEXANDRIA'
AND Z.HOSPCODE = 'R1210010000A'
```

Table designators in the FROM clause are established as follows:

- A name that follows a table or view name is both a correlation name and a table designator. Thus, Z is a table designator and qualifies the first column name in the select list.
- An exposed table or view name is a table designator. Thus, the qualified table name, PCB01.WARD is a table designator and qualifies the second column name in the select list.

References to variables

A *variable* in an SQL statement specifies a value that can be changed when the SQL statement is executed. There are several types of variables used in SQL statements.

host variable

Host variables are defined by statements of a host language. For more information about how to refer to host variables, see [“References to host variables”](#) on page 595.

parameter marker

Parameter markers are specified in an SQL statement that is dynamically prepared instead of host variables. For more information about parameter markers, see [Parameter markers](#) in the PREPARE statement.

Unless otherwise noted, the term *host variable* in syntax diagrams is used to describe where a host variable or parameter marker can be used.

References to host variables

Host variables are defined directly by statements of the host language. A *host-variable* in an SQL statement must identify a host variable that is described in the program according to the rules for declaring host variables. Host variables cannot be referenced in dynamic SQL statements; parameter markers must be used instead.

A *host variable* is a data element in COBOL.

A host-variable in an SQL statement must identify a host variable that is described in the program according to the rules for declaring host variables.

The term *host-variable*, as used in the syntax diagrams, shows a reference to a host variable. In the INTO clause of a FETCH statement, a host variable is an output variable to which a value is assigned by IMS. A host variable can also be an input variable which provides a value to IMS.

variable references

The general form of a host variable reference is:

►► *:host-identifier* ◄◄

Each host identifier must be declared in the source program.

An SQL statement that refers to host variables must be within the scope of the declaration of those host variables. For host variables referred to in the SELECT statement of a cursor, the OPEN statement, and the DECLARE CURSOR statement have to be in the same scope.

All references to host variables must be preceded by a colon. If an SQL statement references a host variable without a preceding colon, the coprocessor issues an error for the missing colon or interprets the host variable as an unqualified column name, which might lead to unintended results. The interpretation of a host variable without a colon as a column name occurs when the host variable is referenced in a context in which a column name can also be referenced.

Related concepts

[“Host variables in dynamic SQL” on page 596](#)

In dynamic SQL statements, parameter markers are used instead of host variables.

Host variables in dynamic SQL

In dynamic SQL statements, parameter markers are used instead of host variables.

A *parameter marker* is a question mark (?) that represents a position in a dynamic SQL statement where the application will provide a value.

```
INSERT INTO PCB01.DOCTOR (hospital_HOSPCODE, patient_patnum, ward_wardno, doctno,docname) VALUES  
(?, ?, ?, ?, ?)
```

Parameter marker replacement:

Before the prepared statement is executed, each parameter marker in the statement is effectively replaced by its corresponding host variable. The replacement is an assignment operation in which the source is the value of the host variable and the target is a variable. The assignment rules are those described for assignment to a column in [Assignment and comparison \(Application Programming APIs\)](#).

Host structures in COBOL

A *host structure* is a COBOL group that is referred to in an SQL statement.

As used here, the term *host structure* does not include an SQLIMSCA or SQIMSLDA.

The form of a host structure reference is identical to the form of a host variable reference. The reference :S1 is a host structure reference if S1 names a host structure.

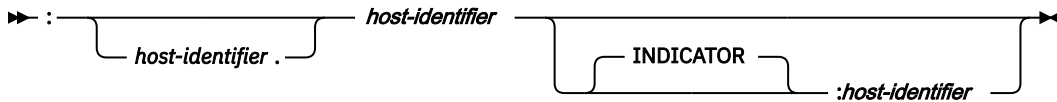
A host structure can be referred to in any context where a list of host variables can be referenced. A host structure reference is equivalent to a reference to each of the host variables contained within the structure in the order which they are defined in the host language structure declaration. The *n*th variable of the indicator array is the indicator variable for the *n*th variable of the host structure.

For example, if *V1*, *V2*, and *V3* are declared as the variables within the structure *S1*, the following two statements are equivalent:

```
EXEC SQLIMS FETCH CURSOR1 INTO :S1;
EXEC SQLIMS FETCH CURSOR1 INTO :V1, :V2, :V3;
```

In addition to structure references, individual host variables in COBOL can be referred to by qualified names. The qualified form is a host identifier followed by a period and another host identifier. The first host identifier must name a structure, and the second host identifier must name a host variable at the next level within that structure.

In COBOL, the syntax of *host-variable* is:



Predicates

A *predicate* specifies a condition that is true, false, or unknown about a given row or group.

The types of predicates are:

► *basic predicate* ◄

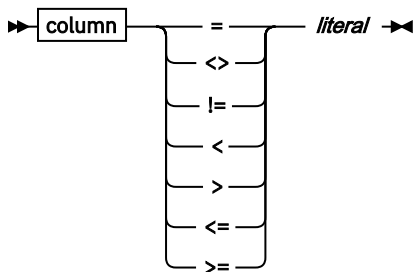
The following rules apply to predicates of any type:

- All values that are specified in the same predicate must be compatible.

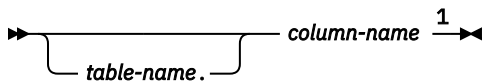
Basic predicate

A *basic predicate* compares two values or compares a set of values with another set of values.

This statement can be embedded only in a COBOL application program.



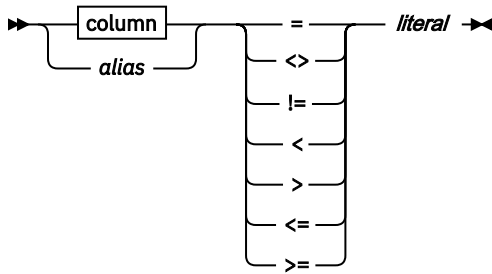
column



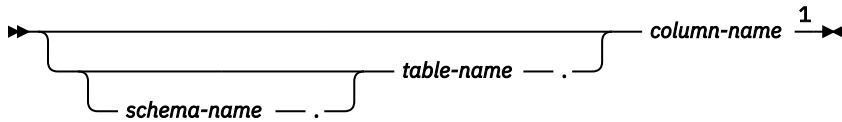
Notes:

- ¹ You can have the same column name in multiple tables, but if the table is not qualified, each table must be searched for the column.

This statement is supported only for Java application programs.



column



Notes:

¹ You can have the same column name in multiple tables, but if the table is not qualified, each table must be searched for the column.

The result of the predicate depends on the operator, as in the following two cases:

- If the operator is =, the result of the predicate is:
 - True if all pairs of corresponding value expressions evaluate to true.
 - False if any one pair of corresponding value expressions evaluates to false.
- If the operator is <>, the result of the predicate (x1,x2,...,xn) <> (y1,y2,...,yn) is:
 - True, if and only if xi=yi evaluates to false for some value of i. (that is, there is at least one pair of non-null values, xi and yi, that are not equal to each other).
 - False, if and only if xi=yi evaluates to true for every value of i. (that is, (x1,x2,...,xn)=(y1,y2,...,yn) is true).

Table 162. For values x and y

Predicate	Is true only if ...
$x = y$	x is equal to y
$x <> y$	x is not equal to y
$x < y$	x is less than y
$x > y$	x is greater than y
$x <= y$	x is less than or equal to y
$x >= y$	x is greater than or equal to y

Examples for values x and y:

```
HOSPCODE = '528671'
XINTEGER < 20000
HOSPNAME <> :VAR1
```

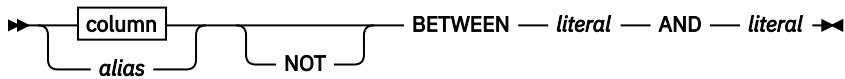
Example: List the hospital code and hospital name from the HOSPITAL segment where the hospital code is H5140070000H.

```
SELECT HOSPCODE, HOSPNAME
FROM PCB01.HOSPITAL
WHERE HOSPCODE = 'H5140070000H'
```

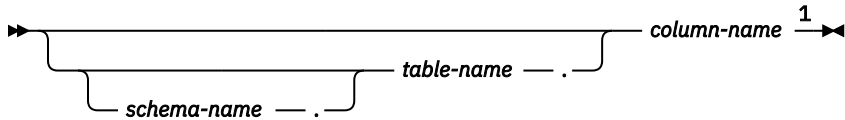
BETWEEN predicate

The BETWEEN predicate determines whether a given value lies between two other given values that are specified in ascending order.

The BETWEEN predicate is supported only for Java application programs.



column



Notes:

¹ You can have the same column name in multiple tables, but if the table is not qualified, each table must be searched for the column.

Each of the predicate's two forms has an equivalent search condition, as shown in the following table:

Table 163. BETWEEN predicate and equivalent search conditions

BETWEEN predicate	Equivalent search condition
<i>column1</i> BETWEEN <i>value1</i> AND <i>value2</i>	<i>column1</i> >= <i>value1</i> AND <i>column1</i> <= <i>value2</i>
<i>column1</i> NOT BETWEEN <i>value1</i> AND <i>value2</i>	<i>column1</i> < <i>value1</i> OR <i>column1</i> > <i>value2</i>

Search conditions are discussed in “Search conditions” on page 600.

If the operands include a mixture of datetime values and valid string representations of datetime values, all values are converted to the data type of the datetime operand.

Example: Consider the following predicate:

```
A BETWEEN B AND C
```

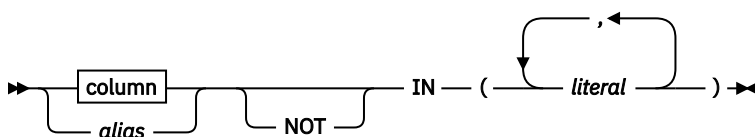
The following table shows the value of the predicate for various values of A, B, and C.

Value of A	Value of B	Value of C	Value of predicate
1,2, or 3	1	3	true
0 or 4	1	3	false
null	any value	any value	false

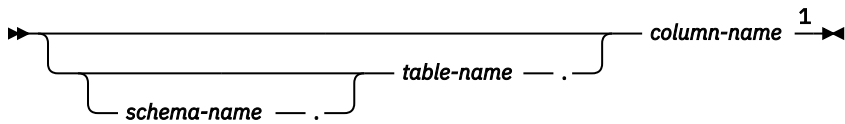
IN predicate

The IN predicate compares a value or values with a set of values.

The IN predicate is supported only for Java application programs.



column



Notes:

¹ You can have the same column name in multiple tables, but if the table is not qualified, each table must be searched for the column.

The IN predicate is equivalent to the quantified predicate as follows:

Table 164. IN predicate and equivalent quantified predicates

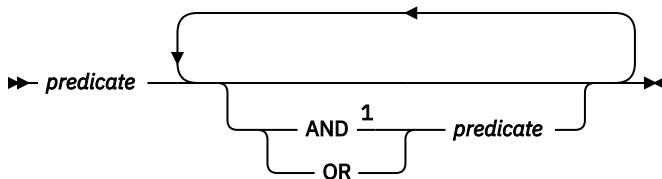
IN predicate	Equivalent quantified predicate
<code>column1 IN (value1, value2, valuen)</code>	<code>column1 = value1</code> or <code>column1 = value2</code> or <code>column1 = valuen</code>
<code>column1 NOT IN (value1, value2, valuen)</code>	<code>column1 <> value1</code> and <code>column1 <> value2</code> and <code>column1 <> valuen</code>

Example: The following predicate is true for any row whose employee is in department D11, B01, or C01.

```
WORKDEPT IN ('D11', 'B01', 'C01')
```

Search conditions

A *search condition* specifies a condition that is true or false about a given row or group. When the condition is true, the row or group qualifies for the results. When the condition is false or unknown, the row or group does not qualify.



Notes:

¹ Predicates across different tables must be connected by AND.

Description

The result of a search condition is derived by application of the specified *logical operators* (AND, OR) to the result of each specified predicate. If logical operators are not specified, the result of the search condition is the result of the specified predicate.

AND and OR are defined in the following table, in which *P* and *Q* are any predicates:

Table 165. Truth table for AND and OR

<i>P</i>	<i>Q</i>	<i>P</i> and <i>Q</i>	<i>P</i> or <i>Q</i>
True	True	True	True
True	False	False	True
False	True	False	True

Table 165. Truth table for AND and OR (continued)

P	Q	P and Q	P or Q
False	False	False	False

Example

For the following search condition, AND is applied first. After the application of AND, the OR operators could be applied in either order without changing the result. IMS can therefore select the order of applying the OR operators.

```
PATNUM > ? AND AGE > ? OR HOSPCODE = ? OR HOSPNAME = ?
```

For COBOL only:

```
PATNUM>:VAR1 AND AGE>:VAR2 OR HOSPCODE=:VAR3 OR HOSPNAME=:VAR4
```

Related concepts

[“Predicates” on page 597](#)

A *predicate* specifies a condition that is true, false, or unknown about a given row or group.

SQL statements

This section contains syntax diagrams, semantic descriptions, rules, and examples of the use of the SQL statements.

The SQL support for COBOL provides the underlying SQL functions for the IBM IMS Data Provider for Microsoft .NET. All SQL statements supported for COBOL application programs and their syntax and rules also apply to .NET applications.

Table 166. SQL statements

SQL statement	Function	Supported application program type
“ALTER DATABASE” on page 605	Changes an existing database	Java
“ALTER TABLESPACE” on page 647	Changes attributes of a data set group within a database or an area for a DEDB	Java
“ALTER TABLE” on page 619	Changes attributes of a table within a database.	Java
“CLOSE” on page 653	Closes a cursor	COBOL, .NET
“COMMENT ON” on page 654	Adds a comment to the definition of a resource or object	Java
“CREATE DATABASE” on page 656	Defines a new database to IMS	Java
“CREATE PROGRAMVIEW” on page 669	Defines a new program view	Java
“CREATE TABLE” on page 686	Defines a new table	Java
“CREATE TABLESPACE” on page 729	Defines a data set group or Fast Path Area.	Java
“DECLARE CURSOR” on page 743	Defines an SQL cursor	COBOL, .NET

Table 166. SQL statements (continued)

SQL statement	Function	Supported application program type
“DECLARE STATEMENT” on page 744	Declares names used to identify prepared SQL statements	COBOL, .NET
“DELETE” on page 744	Deletes one or more rows from a table	COBOL, .NET, Java
“DESCRIBE OUTPUT” on page 745	Describes the result columns of a prepared statement	COBOL, .NET
“DROP DATABASE” on page 746	Removes a database from IMS	Java
“DROP PROGRAMVIEW” on page 747	Removes a program view	Java
“DROP TABLE” on page 747	Removes an existing table from a database	Java
“DROP TABLESPACE” on page 748	Removes a data set group within the database or an area for a DEDB	Java
“EXECUTE” on page 749	Executes a prepared SQL statement	COBOL, .NET
“FETCH” on page 750	Positions the cursor, returns data, or both positions the cursor and returns data	COBOL, .NET
“INCLUDE” on page 752	Inserts declarations into a source program	COBOL, .NET
“INSERT” on page 752	Inserts one or more rows into a table	COBOL, .NET, Java
“OPEN” on page 755	Opens a cursor	COBOL, .NET
“PREPARE” on page 757	Prepares an SQL statement (with optional parameters) for execution	COBOL, .NET
“SELECT” on page 759	Specifies the SELECT statement of the cursor	COBOL, .NET, Java
“UPDATE” on page 769	Updates the values of one or more columns in one or more rows of a table	COBOL, .NET, Java
“WHENEVER” on page 772	Defines actions to be taken on the basis of SQL return codes	COBOL, .NET

How SQL statements are invoked

SQL statements are invoked in different ways depending on whether the statement is an executable or nonexecutable statement or the *select-statement*.

The SQL statements are classified as *executable* or *nonexecutable*. The description of each statement includes a heading on invocation that indicates whether or not the statement is executable.

Executable statements can be invoked in the following ways:

- Dynamically prepared and executed in an application program

- Issued interactively

A *nonexecutable statement* can only be embedded in an application program.

Using an SQL statement in an application program

You can include SQL statements in a source program that will be submitted to the IMS coprocessor. An SQL statement can be placed anywhere in the application program where a host language statement is allowed. Each statement must be preceded by a keyword (or keywords) to indicate that the statement is an SQL statement.

- In COBOL, each SQL statement must be preceded by the keywords EXEC SQLIMS.

Executable statements: An executable SQL statement in an application program is executed every time a statement of the host language would be executed if specified in the same place. (Thus, for example, a statement within a loop is executed every time the loop is executed, and a statement within a conditional construct is executed only when the condition is satisfied.)

An SQL statement can contain references to host variables. A host variable referred to in this way can be used in one of two ways:

As input

The current value of the host variable is used in the execution of the statement.

As output

The variable is assigned a new value as a result of executing the statement.

In particular, all references to host variables in predicates are effectively replaced by current values of the variables; that is, the variables are used as input. The treatment of other references is described individually for each statement.

The successful or unsuccessful execution of the statement is indicated by setting the SQLIMSCODE and SQLIMSSTATE fields in the included SQLIMSCA. You must therefore follow all executable statements by a test of SQLIMSCODE or SQLIMSSTATE. Alternatively, you can use the WHENEVER statement (which is itself nonexecutable) to change the flow of control immediately after the execution of an SQL statement.

Nonexecutable statements: A nonexecutable statement is processed only by the coprocessor. The coprocessor reports any errors encountered in the statement. The statement is never executed, and acts as a no-operation if placed among executable statements of the application program. Therefore, do not follow such statements with a test of an SQL return code.

Dynamic preparation and execution

Your application program can dynamically build an SQL statement in the form of a character string placed in a host variable.

The statement so constructed can be prepared for execution by means of the (embedded) statement PREPARE and executed by means of the (embedded) statement EXECUTE.

A statement that is going to be prepared must not contain references to host variables. It can instead contain parameter markers. (See [Parameter markers](#) in the description of the PREPARE statement for rules concerning parameter markers.) When the prepared statement is executed, the parameter markers are effectively replaced by current values of the host variables specified in the EXECUTE statement. (See [the EXECUTE statement](#) for rules concerning this replacement.) After it is prepared, a statement can be executed several times with different values of host variables.

The successful or unsuccessful execution of the statement is indicated by the values returned in the SQLIMSCODE and SQLIMSSTATE fields in the SQLIMSCA after the EXECUTE (or EXECUTE IMMEDIATE) statement. You should check the fields as described above for embedded statements.

Dynamic invocation of a SELECT statement

Your application program can dynamically build a SELECT statement in the form of a character string placed in a host variable.

The statement so constructed can be prepared for execution by means of the (embedded) statement PREPARE, and referred to by a (nonexecutable) statement DECLARE CURSOR. The statement is then executed every time you open the cursor by means of the (embedded) statement OPEN. After the cursor is open, you can retrieve the result table a row at a time by successive executions of the (embedded) SQL FETCH statement.

The SELECT statement used in that way must not contain references to host variables. It can instead contain parameter markers. (See "Notes" in "PREPARE" on page 757 for rules concerning parameter markers.) The parameter markers are effectively replaced by the values of the host variables specified in the OPEN statement. (See "OPEN" on page 755 for rules concerning this replacement.)

The successful or unsuccessful execution of the SELECT statement is indicated by the values returned in the SQLIMSCODE and SQLIMSSTATE fields in the SQLIMSCA after the OPEN. You should check the fields as described above for embedded statements.

Detecting and processing error and warning conditions in host language applications

Errors and warnings conditions in host language applications can be checked by using the SQLIMSCODE or SQLIMSSTATE host variables or by using the SQLIMSCA.

Each host language provides a mechanism for handling diagnostic information.

In COBOL, an application program that contains executable SQL statements must provide a stand-alone integer variable named *SQLIMSCODE*.

SQLIMSSTATE

IMS sets SQLIMSSTATE after each SQL statement is executed. IMS returns values that conform to the error specification in the SQL standard. Thus, application programs can check the execution of SQL statements by testing SQLIMSSTATE instead of SQLIMSCODE.

SQLIMSSTATE provides application programs with common codes for common error conditions (the values of SQLIMSSTATE are product-specific if the error or warning is product-specific). Furthermore, SQLIMSSTATE is designed so that application programs can test for specific errors or classes of errors.

In the case of a LOOP statement, the SQLIMSSTATE is set after the END LOOP portion of the LOOP statement completes. With the REPEAT statement, the SQLIMSSTATE is set after the UNTIL and END REPEAT portions of the REPEAT statement completes.

SQLIMSCODE

The SQLIMSCODE is also set by IMS after each SQL statement is executed.

IMS conforms to the SQL standard as follows:

- If SQLIMSCODE = 0 and SQLIMSWARN0 is blank, execution was successful.
- If SQLIMSCODE = 100, "no data" was found. For example, a FETCH statement returned no data because the cursor was positioned after the last row of the result table.
- If SQLIMSCODE > 0 and not = 100, execution was successful with a warning.
- If SQLIMSCODE = 0 and SQLIMSWARN0 = 'W', execution was successful with a warning.
- If SQLIMSCODE < 0, execution was not successful.

In the case of a LOOP statement, the SQLIMSSTATE is set after the END LOOP portion of the LOOP statement completes. With the REPEAT statement, the SQLIMSSTATE is set after the UNTIL and END REPEAT portions of the REPEAT statement completes.

The SQL standard does not define the meaning of any other specific positive or negative values of SQLIMSCODE, and the meaning of these values is product specific.

SQLIMSEERRM

The SQLIMSEERRM is a variable length character string set by IMS after each SQL statement which contains the error message and length.

In COBOL, SQLIMSEERRM includes SQLIMSEERRML and SQLIMSEERRMC. SQLIMSEERRMC contains the SQL error message returned by IMS. It can be up to 255 characters. SQLIMSEERRML is the length of the SQL error message.

Related reference

[SQL codes \(Messages and Codes\)](#)

ALTER DATABASE

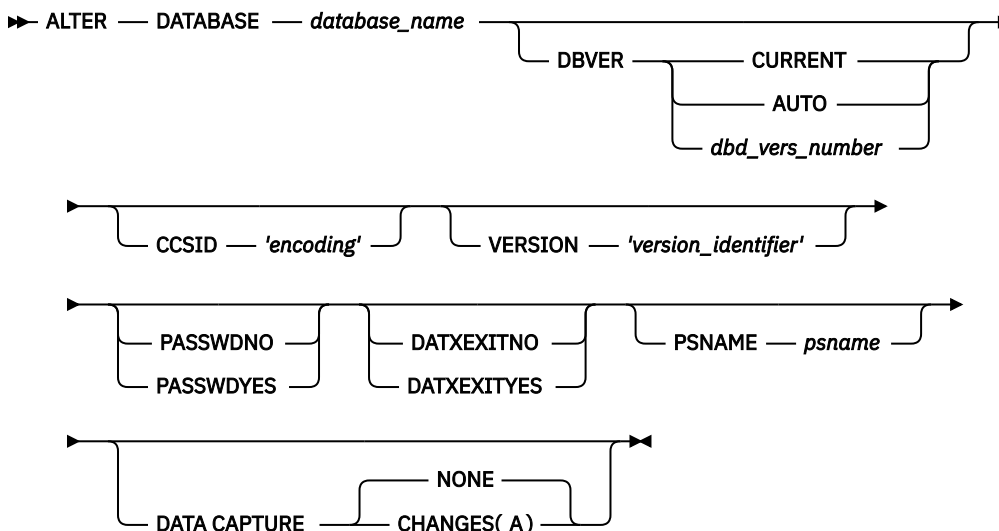
By using the ALTER DATABASE statement, you can change an existing database. Unlike the CREATE DATABASE statement, there are no default values.

Invocation

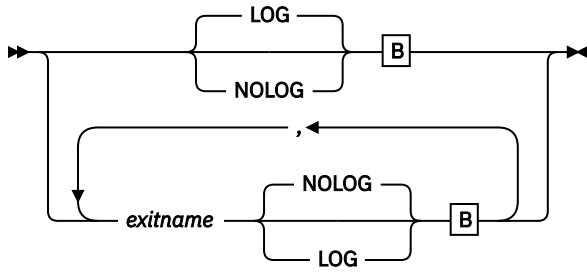
This statement can be submitted from a Java application program with an establish connection to IMS through the IMS Universal JDBC drivers. It is an executable statement that cannot be dynamically prepared.

- [“PHIDAM syntax” on page 605](#)
- [“HDAM syntax” on page 606](#)
- [“HIDAM syntax” on page 607](#)
- [“PHDAM syntax” on page 608](#)
- [“GSAM syntax” on page 609](#)
- [“HISAM syntax” on page 609](#)
- [“SHISAM syntax” on page 610](#)
- [“DEDB syntax” on page 611](#)
- [“HSAM syntax” on page 611](#)
- [“SHSAM syntax” on page 612](#)
- [“LOGICAL syntax” on page 612](#)
- [“INDEX syntax” on page 612](#)
- [“PSINDEX syntax” on page 612](#)

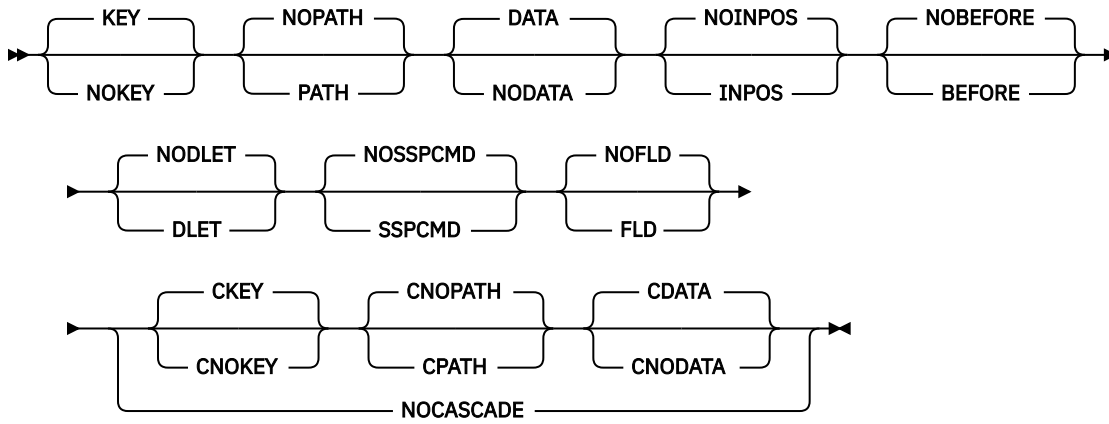
PHIDAM syntax



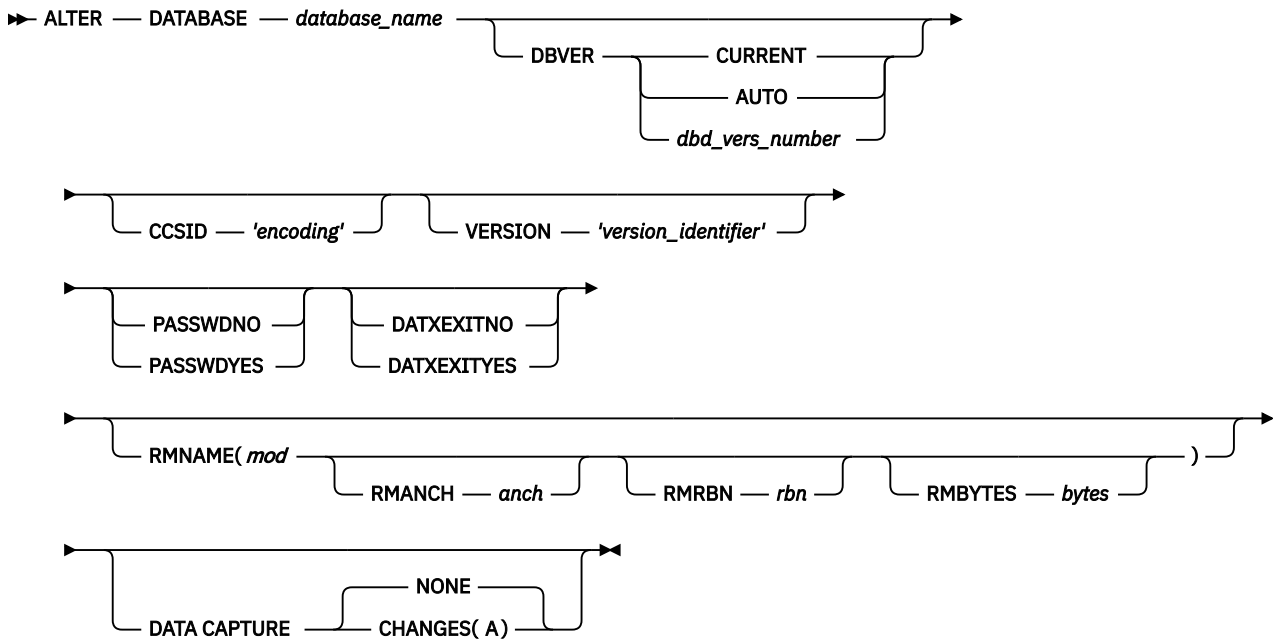
A



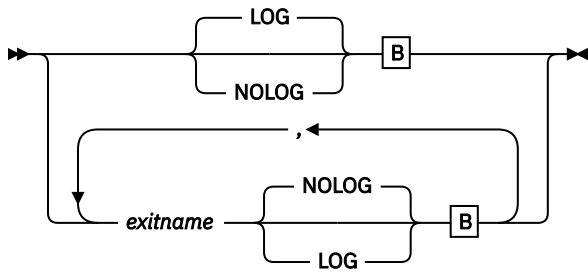
B



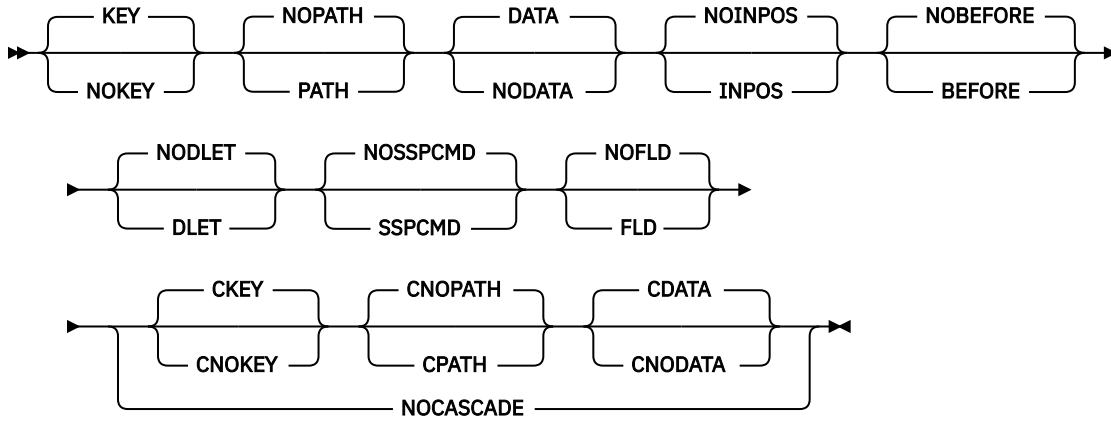
HDAM syntax



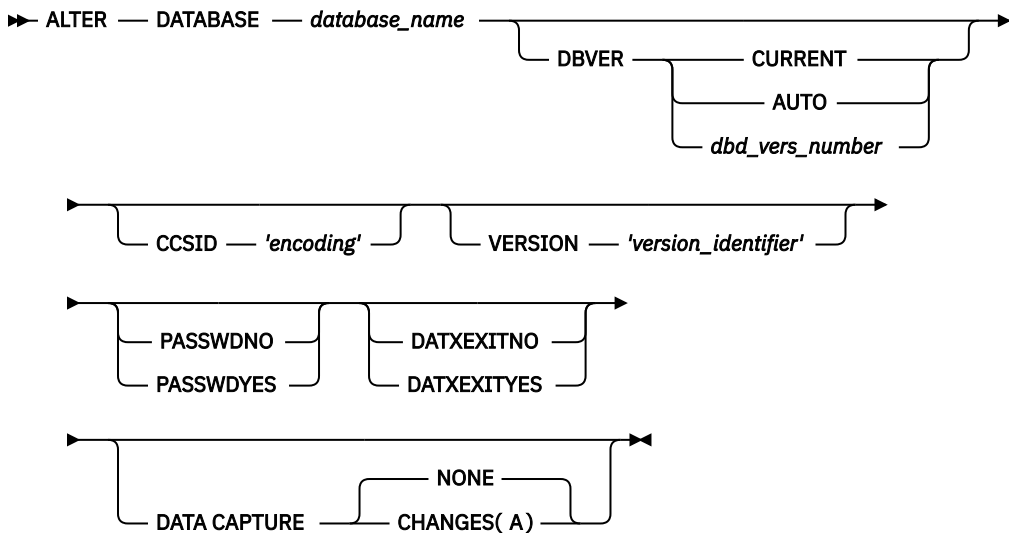
A



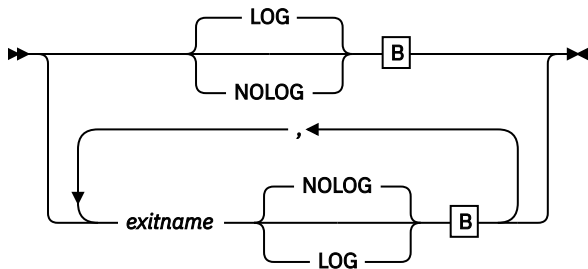
B



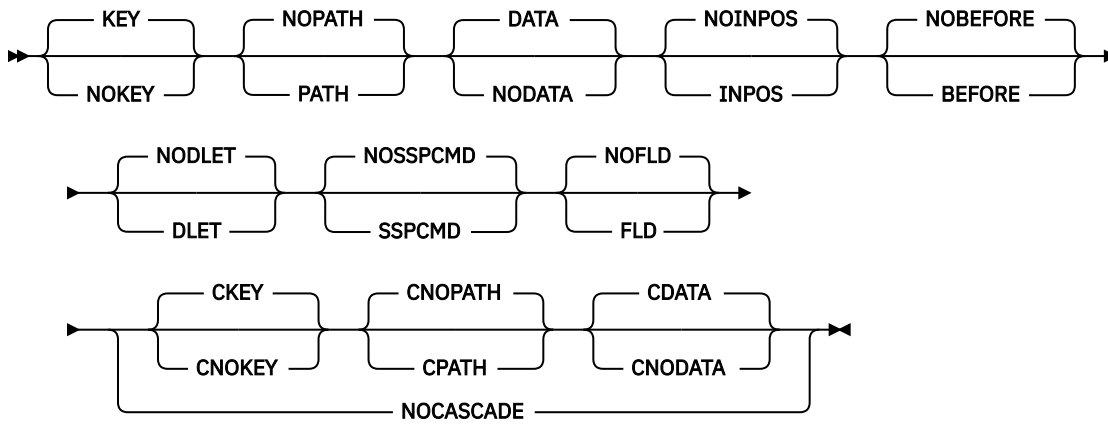
HIDAM syntax



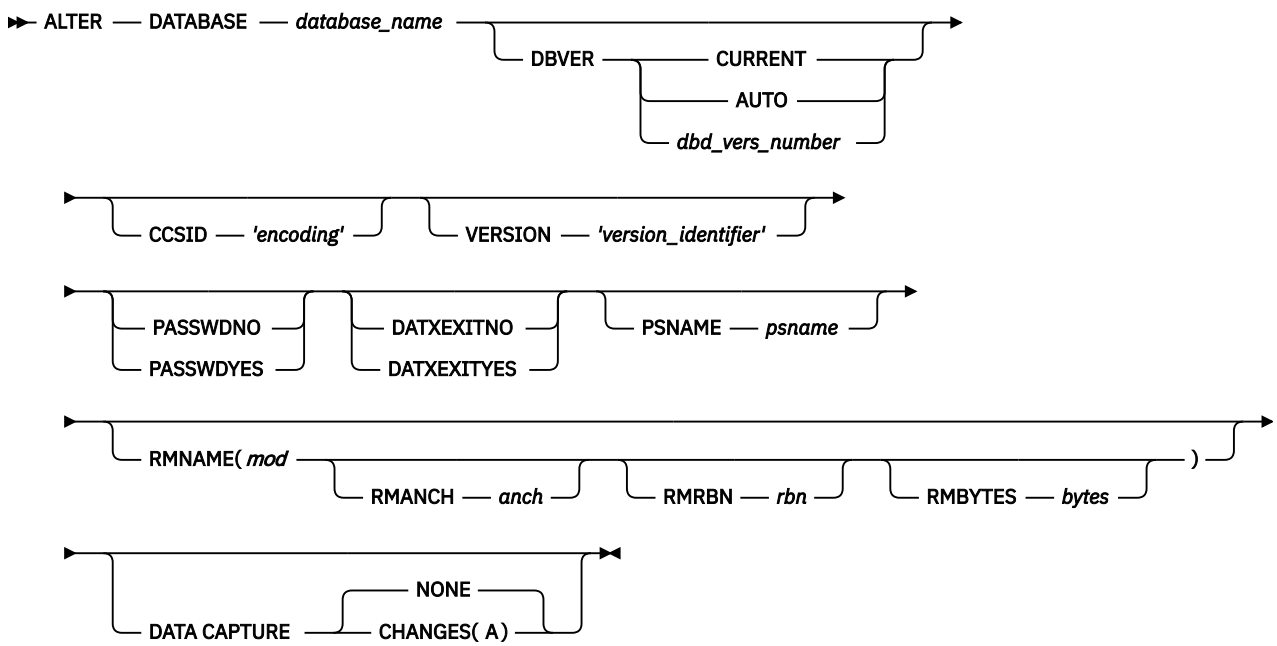
A



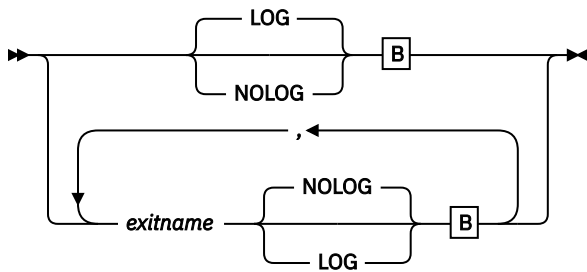
B



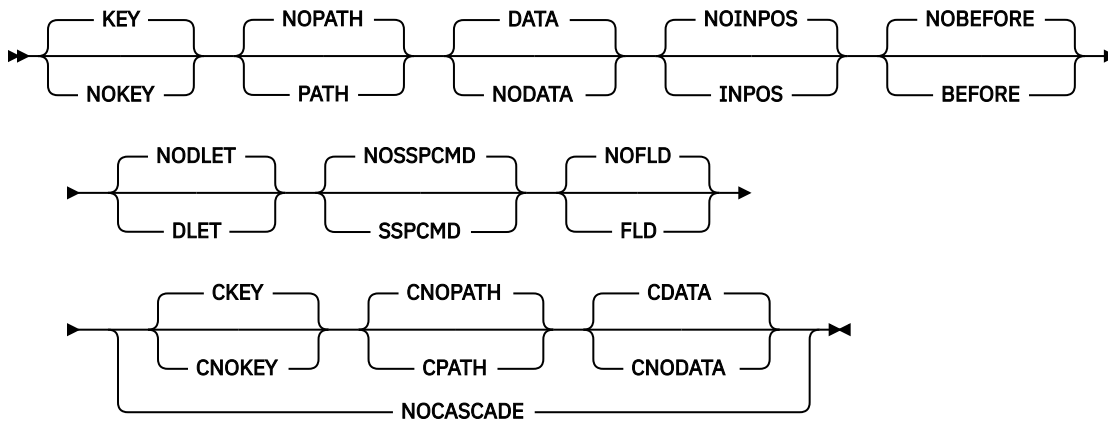
PHDAM syntax



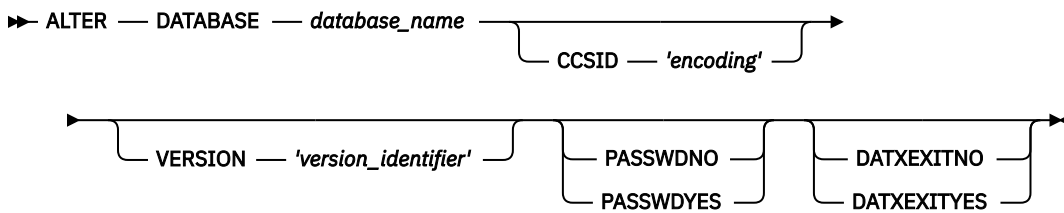
A



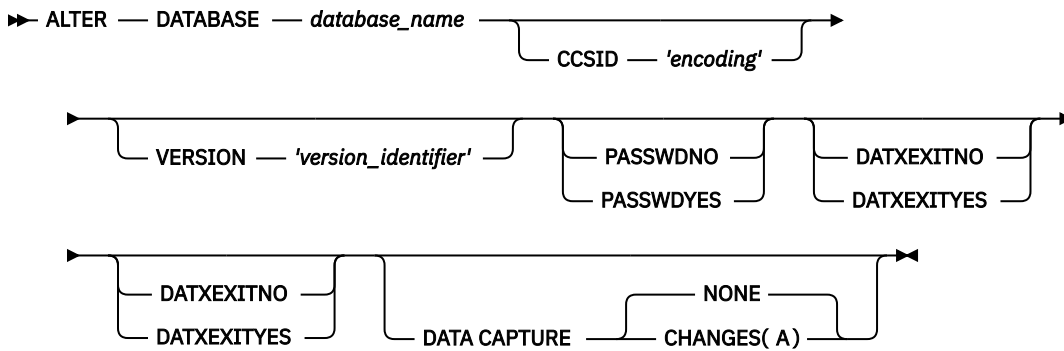
B



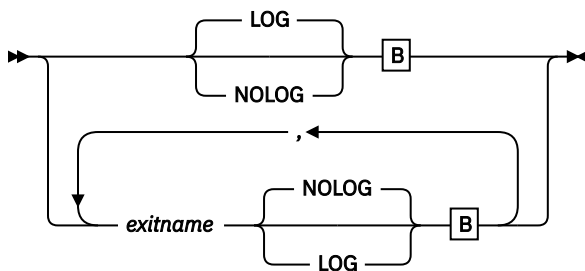
GSAM syntax



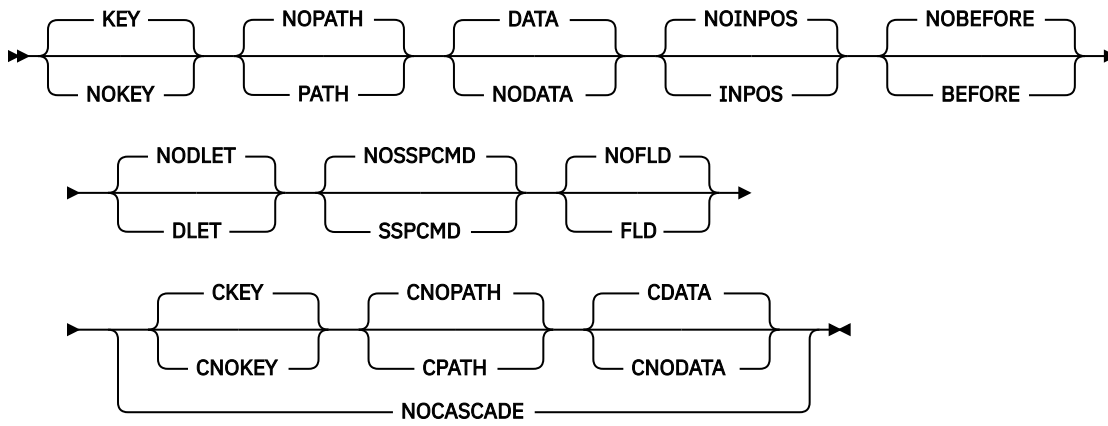
HISAM syntax



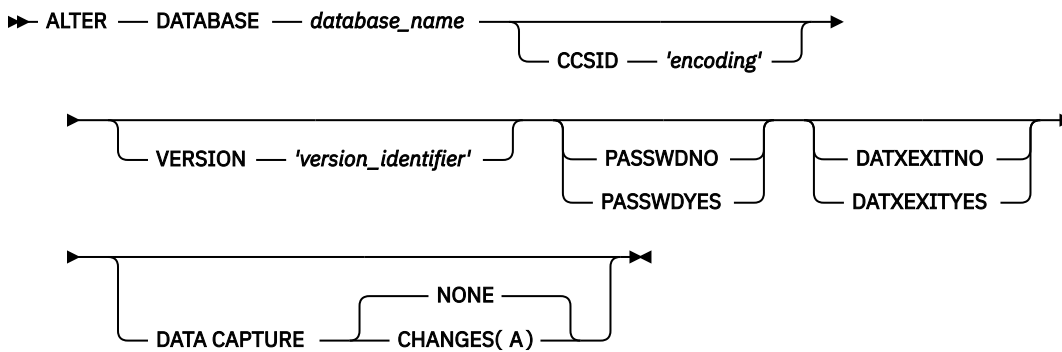
A



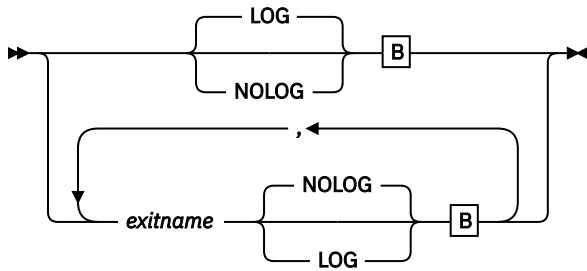
B



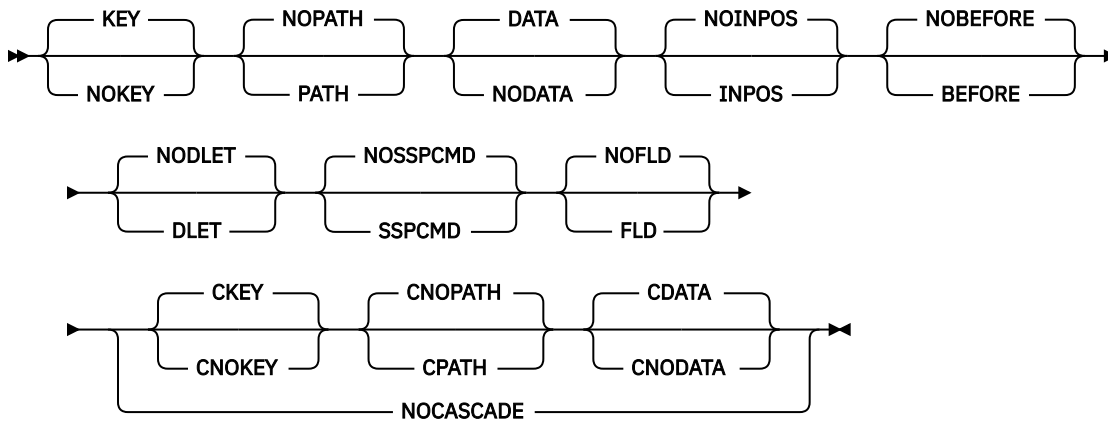
SHISAM syntax



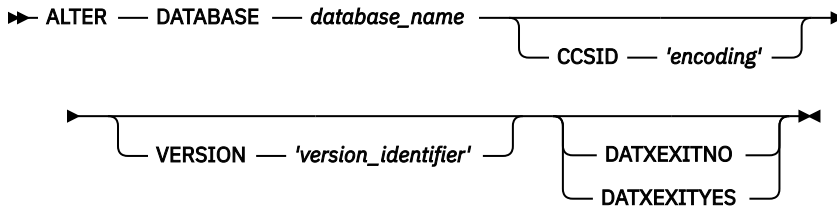
A



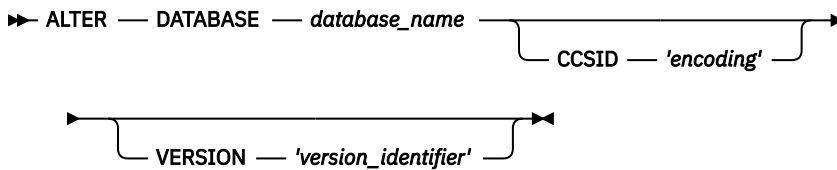
B



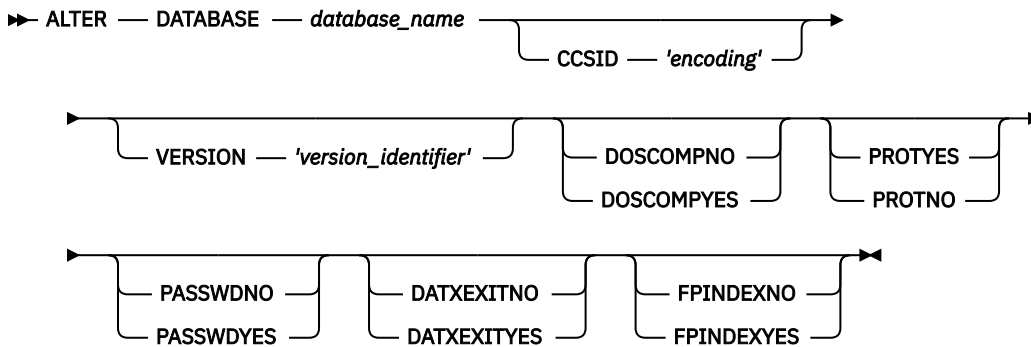
SHSAM syntax



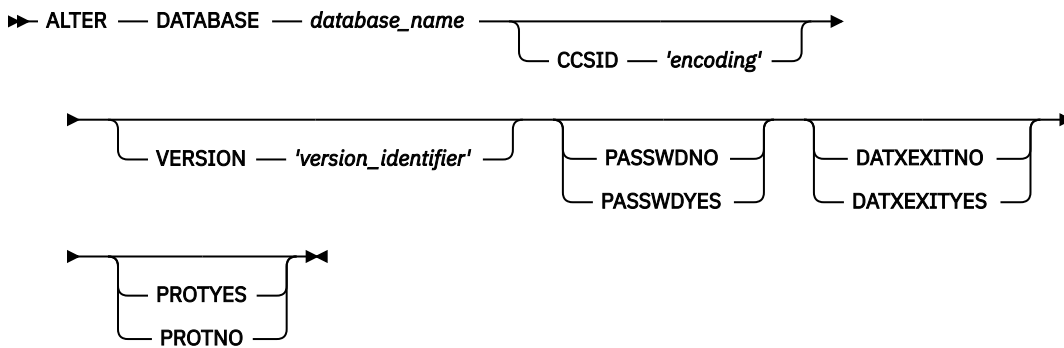
LOGICAL syntax



INDEX syntax



PSINDEX syntax



Description

The following keyword parameters are defined for the ALTER DATABASE statement:

database_name

Name of the database to be altered. The name can be from 1- to 8-alphanumeric characters.

CCSID 'encoding'

An optional 1- to 25-character field that specifies the default encoding of all character data in this database. The CCSID is stored as metadata in the Catalog. The OpenDatabase/JDBC drivers use this metadata for preparing result sets with the proper encoding type.

This value cannot contain the following characters:

- Single and double quotation marks
- Blanks
- Less than (<) and greater than (>) symbols
- Ampersands (&)

This value can be overridden in individual segments or fields.

DATA CAPTURE

When DATA CAPTURE is specified on the CREATE DATABASE statement, these options apply to all tables within the physical database. If you specify this parameter in the CREATE or ALTER TABLE statement, it overrides the specification for this statement.

The following physical databases support DATA CAPTURE:

- HISAM
- SHISAM
- HDAM
- PHDAM
- HIDAM
- PHIDAM
- DEDB

NONE

Indicates no data capture options.

CHANGES

You can specify any number of exit routines, each with its own set of change options. If you do not provide an exit routine, they can only specify 1 set of change options for logging. This method is equivalent to specifying an asterisk (*) in place of an exit routine name on the EXIT= parameter in a DBD macro statement. Each set is separated by a comma. NOCASCADE is mutually exclusive with any combination of the C* (for example, CKEY) options.

The following options are valid for DATA CAPTURE CHANGES:

NOBEFORE | BEFORE

Before data is included in X'99' log records for REPL calls. NOBEFORE is the default. This attribute is valid only for DEDB.

CDATA | CNODATA

Passes segment data to the exit routine for a cascade delete. CDATA also identifies the segment being deleted when the physical concatenated key is unable to do so. This attribute is mutually exclusive with NOCASCADE.

CKEY | CNOKEY

Passes the physical concatenated key to the exit. This key identifies the segment being deleted by a cascade delete. This attribute is mutually exclusive with NOCASCADE.

CNOPATH | CPATH

Indicates the exit routine does not require segment data in the physical root's hierarchical path. Use CNODATA to eliminate the substantial amount of path data needed for a cascade delete. This attribute is mutually exclusive with NOCASCADE.

DATA | NODATA

DATA specifies that the physical table data is passed to the exit routine for updating. When DATA is specified and an EDITPROC exit routine is also used on a table, the data passed is expanded data. DATA is the default.

NODLET | DLET

X'99' log records are written for DLET calls. NODLET is the default. This attribute is valid only for DEDB.

exitname

Specifies the name of the exit routine that processes the data. The name must match the name of a Data Capture exit routine as defined by the user to IMS. A maximum of 8 alphanumeric characters is allowed.

KEY | NOKEY

KEY specifies the exit routine is passed the physical concatenated key. This key identifies the physical table updated by the application. KEY is the default.

NOCASCADE

Indicates the exit routine is not called when DL/I deletes this segment. Cascade delete is not necessary when a segment without dependents is deleted.

NOFLD | FLD

The FLD option requests that updates made by a DEDB FLD call be captured. This option is valid only for a DEDB, and this information is logged only in the X'9904' log records if the option log is specified. This information is not passed to the data capture exit. This attribute is valid only for DEDB.

NOINPOS | INPOS

The INPOS option requests that twin data be passed when an ISRT is done for an unkeyed or non-unique keyed segment when an insert rule of HERE is used and the F or L command code is not used. The twin data IMS is positioned on at the time before the ISRT will be captured.

NOLOG | LOG

The LOG option requests that the data capture control blocks and data be written to the IMS system log.

For more information, see [Asynchronous data propagation \(System Programming APIs\)](#).

NOPATH | PATH

NOPATH indicates the exit routine does not require data from tables in the physical root's hierarchical path. NOPATH is an efficient way to avoid the processing time needed to retrieve path data. NOPATH is the default.

PATH can be specified when the data from each segment in the physical root's hierarchical path must be passed to the exit routine for an updated segment. Use PATH to allow an application to separately access several segments for insertion, replacement, or deletion.

You can use the PATH option when information from tables in the path is needed to compose the DB2® for z/OS primary key. The DB2 for z/OS primary key would then be used in a propagation request for a dependent table update. Typically, you need this kind of table information when the parent contains the key information and the dependent contains additional data that would not fit in the parent table.

You can also use PATH when additional processing is necessary. It could be that you are not accessing several tables with one call; for example, you did not invoke the D command code. In this case, additional processing is necessary if the application is to access each table with a separate call.

NOSSPCMD | SSPCMD

The SSPCMD option requests that DEDB subset pointer command codes are captured. This option is valid for DEDBs only.

DATXEXITNO | DATXEXITYES

Allows the Data Conversion user exit routine (DFSDBUX1) to be used by an application while it is processing this database.

If YES is specified, the user exit DFSDBUX1 is called at the beginning and at the end of each database call. If DFSDBUX1 is not loaded, IMODULE is called to load it.

If NO is specified, the user DFSDBUX1 can be called, provided DFSDBUX1 is located in the SDFSRESL. If DFSDBUX1 does not need to be called again for the database definition, X'FF' is returned in the SRCHFLAG field in the JCB, and DFSDLA00 dynamically marks the database definition as not requiring the exit. In this case, the user exit is not called again for that database definition for the duration of the IMS session, unless the DMB is purged from the DMB pool.

DBVER

A numeric value in the range 0 - 2147483647 that identifies a specific version of the DBD. Specifying a numeric value drives IMS to generate a new version of the DBD that can be used by different application programs.

- If the specified version number is not an increment of the current active version in the IMS catalog, the ALTER fails.
- If the specified version number already exists in the IMS catalog and not the current version, the ALTER fails.
- If the specified version number is the current active version, IMS will generate a new instance of that DBD version.

You can also specify the following instead of a numeric version number:

DBVER AUTO

AUTO drives IMS to auto increment the version number based on the current active version number that is saved in the IMS catalog.

DBVER CURRENT

CURRENT drives IMS to ALTER the current active DBD. DBVER CURRENT is the default.

DOSCOMPNO | DOSCOMPYES

Indicates if this is a DLI/DOS index database. Must be specified if the database is an index, and it was created using DLI/DOS. DLI/DOS index databases contain a segment code as part of the prefix. Specifying that a database is a DLI/DOS index database causes IMS to expect this code to be present in the defined database, and to process in a way that preserves this code. This includes providing a segment code for new segments being inserted. DLI/DOS databases must use VSAM and cannot be PHDAM, PHIDAM, or PSINDEX databases.

FPINDEXNO | FPINDEXYES

Specifies whether an index database is a secondary index for a primary Fast Path DEDB database.

PASSWDNO | PASSWDYES

Specifying PASSWDYES causes DL/I to use the database name as the VSAM password when opening any data set for this database. This parameter is only valid for databases that use VSAM as the access method. You cannot use the database name as the password for the LOGICAL or DEDB database types. When the user defines the VSAM data sets for this database using the DEFINE statement of z/OS Access Method Services, the control level (CONTROLPW) or master level (MASTERPW) password must be the same as the DBDNAME for this DBD. All data sets associated with this DBD must use the same password.

For the IMS DB/DC system, all VSAM OPENS bypass password checking and thus avoid operator password prompting. For the IMS DB system, VSAM password checking is performed. In the batch environment, operator password prompting occurs if automatic password protection is not specified, and the data set is password protected at the control level (CONTROLPW) with passwords not equal to the database name.

PROTYES | PROTNO

Specifies if a secondary index database uses index pointer protection. This optional parameter ensures the integrity of all fields in index pointer segments that are used by IMS. Use of this parameter prevents an application program from doing a replace operation on any field within an index pointer segment except for fields within the user data portion of index pointer segments. Delete operations are still enabled for index pointer segments. If a delete is issued for an index pointer

segment, the index target segment pointer in the index pointer segment is deleted. However, the index source segment that caused the index pointer segment to be created originally is not deleted.

If index pointer protection is not used, an application program can replace all fields within an index pointer segment except the constant, search, and subsequence fields. Inserts to an index database are invalid under all conditions.

PSNAME *name*

Specifies the module that selects the HALDB partition for PSINDEX, PHDAM, or PHIDAM databases. The parameter is a HALDB partition selection exit routine module name. This parameter is only valid when the access type for the database is PSINDEX, PHDAM, or PHIDAM.

Exception: A user-provided HALDB partition selection routine is not needed if root key ranges define HALDB partition membership.

RMNAME *name*

Specifies a module name that is used to manage the data that is stored in a DEDB or in the primary data set group of an HDAM or PHDAM database. This parameter is only valid when the database access type is HDAM, PHDAM, or DEDB. A randomizing module controls root segment placement in or retrieval from the DEDB, HDAM, or PHDAM database. One or more modules, called randomizing modules, can be utilized within the IMS system. A particular database has only one randomizing module associated with it. A generalized module, which uses user-supplied parameters to perform randomizing for a particular database, can be written to service several databases. The purpose of a randomizing module is to convert a value supplied by an application program for root segment placement in, or retrieval from, a DEDB, HDAM, or PHDAM database into a relative block number and anchor point number. You can randomize within an area by selecting a two-stage randomizer. When you select a two-stage randomizer, the number of root anchor points in an area can be changed without having to stop all areas in the DEDB with the **/DBRECOVERY** command.

For PHDAM databases, the randomizer module names and values become the default for each partition. You can set a different randomizer name and values for each partition during HALDB partition definition. HALDB partition selection is done prior to invoking the randomizing module. The randomizing module selects locations only within a partition.

The module name is the 1- to 8-character alphanumeric name of a user-supplied randomizing module that is used to store and access segments in this DEDB, PHDAM, or HDAM database. Select a two-stage randomizer by specifying the randomizer name in the module name parameter and 2 in the anchor point parameter.

RMANCH *number*

The purpose of the anch value is different depending on whether you are defining a Fast Path DEDB database or a full-function HDAM or PHDAM database.

This parameter must be an unsigned decimal integer.

For a DEDB database, the value of *anch* specifies the type of randomizer. A value of 1 indicates a single-stage randomizer. A value of 2 indicates a two-stage randomizer. Any other value is invalid.

For HDAM and PHDAM databases, the value of *anch* specifies the number of root anchor points desired in each control interval or block in the root addressable area of the HDAM or PHDAM database. Typical values are from 1 to 5 and the value cannot exceed 255.

When accessing a HDAM or PHDAM database, if a user randomizing routine produces an anchor point number greater than the number specified for this parameter, the highest-numbered anchor point in the control interval or block is used. When a randomizing routine produces an IMS anchor point number of zero, IMS uses anchor point one in the control interval or block.

RMRBN *number*

Specifies the maximum relative block number value that you want to allow a randomizing module to produce for this database. This parameter is for HDAM or PHDAM databases only. This value determines the number of control intervals or blocks in the root addressable area of an HDAM or PHDAM database. This parameter must be an unsigned decimal integer whose value does not exceed $2^{24}-1$. If this parameter is omitted, no upper limit check is performed on the relative block number created by the randomizing module. If this parameter is specified, but the specified randomizing

module produces an relative block number greater than this parameter, the highest control interval or block in the root addressable area is used by IMS. If a user randomizing module produces a block number of zero, the control interval or block one is used by IMS.

In an HDAM or PHDAM data set, the first bit map is in the first block of the first extent of the data set. In an HDAM or PHDAM database, the first control interval or block of the first extent of the data set specified for each data set group is used for a bit map. In a VSAM data set, the second control interval is used for the bit map and the first control interval is reserved. IMS adds one to the block calculated by the randomizer.

RMBYTES *number*

Specifies the maximum number of bytes of database record that can be stored into the root addressable area in a series of inserts unbroken by a call to another database record. This parameter is for HDAM and PHDAM databases only. If this parameter is omitted, no limit is placed on the maximum number of bytes of a database record that can be inserted into this database's root segment addressable area. The bytes parameter must be an unsigned decimal integer whose value does not exceed $2^{24}-1$. When the maximum relative block number parameter is omitted, this parameter is ignored. In this case, there is no limit on the number of bytes of a database record that can be inserted into the root addressable area.

If this parameter is specified for an HDAM or PHDAM database and the length of the database record is larger, the remainder of the record is inserted into the overflow area following the current end-of-file (EOF). This operation requires that enough space be available after the current EOF to contain the remainder of all database records that exceed the value of this parameter. If sufficient space is not available in the overflow area following the current EOF, the database records are inserted randomly in the database.

XCINO | XCIYES

Specifies whether this DEDB uses the Extended Call Interface when making calls to the randomizer. This option allows the randomizer to be called in three different ways. On initialization of IMS or during a **/START DB** command, IMS will first load the randomizer and then make an INIT call to the randomizer to invoke its initialization routines. During a **/DBR DB** command, IMS will make a TERM call to the randomizer to invoke the termination routines before unloading the randomizer. The normal randomizing call to the randomizer is made when the application issues a GU or ISRT call on a root segment. The XCI option is only valid for DEDBs.

VERSION '*version_identifier*'

Specifies a version identification string. You can use this identifier to differentiate the versions of the resource in subsequent queries to the IMS catalog.

Usage notes

Because the ALTER DATABASE statement modifies a database to IMS, the statement will fail with a -9000 message if the database specified on the ALTER DATABASE statement does not exist.

Database versioning notes

An ALTER DATABASE in its own DDL stream changes an existing DBD. Database versioning is optional. To implement changes against the current version, supply the current version number on the DBVER keyword. You can also specify "DBVER CURRENT" and IMS will identify the currently active version number for them.

To generate a new version, supply the next version number on the DBVER keyword. The version number supplied must be an increment of the currently active database version.

To automatically assign a version number on the DBD, specify "DBVER AUTO". DDL will temporarily assign the INIT token as the version number. This assignment handles the case where multiple workstations are implementing different DBD changes.

You can optionally specify CREATE PROGRAMVIEW to generate new PSBs. As part of this stream, specify "DBVER AUTO" on the PCBs to have them locked to the same version number being generated. When the

changes in the DDL stream are activated in the IMS system, IMS assigns the version number to the DBDs and PSBs.

If the DBVER keyword is omitted from the ALTER DATABASE statement, IMS implements changes against the currently active database version as indicated by the IMS catalog.

Example: full function database

The following input to the DBD generation utility creates a basic full function database:

The original DBD source to define a new database.

```
DBD    NAME=COGDBD,                C
        ENCODING=Cp1047,           C
        ACCESS=(HDAM,VSAM),        C
        RMNAME=(DFSHDC40,3,3,25),  C
        PASSWD=NO,                  C
        VERSION='Latest version of COGDBD'
```

The following example is the DDL equivalent to the DBD source.

```
CREATE DATABASE COGDBD
ACCESS HDAM VSAM
RMNAME(DFSHDC40 RMANCH 3 RMRBN 3 RMBYTES 25)
VERSION 'Latest version of COGDBD'
CCSID 'Cp1047';
```

The DBD source to provide a different randomizer, PASSWD, and VERSION.

```
DBD    NAME=COGDBD,                C
        ENCODING=Cp1047,           C
        ACCESS=(HDAM,VSAM),        C
        RMNAME=(DFSHDC20,3,3,25),  C
        PASSWD=YES,                 C
        VERSION='Latest version of COGDBD'
```

The following example is the DDL equivalent to the DBD source.

```
ALTER DATABASE COGDBD
RMNAME(DFSHDC20 RMANCH 3 RMRBN 3 RMBYTES 25)
PASSWDYES
VERSION 'Latest version of COGDBD'
```

Example: Fast Path Data Entry Database (DEDB)

Similarly to the previous example, the following input can be submitted to the DBD generation utility to create a DEDB:

Original DBD source to define the database:

```
DBD    NAME=HOSPDBD1,              C
        ENCODING=Cp1047,           C
        ACCESS=(DEDB),             C
        RMNAME=(RMOD3,1,,XCI),     C
        PASSWD=NO
```

The following example is the DDL equivalent to the DBD source.

```
CREATE DATABASE HOSPDBD1
ACCESS DEDB
RMNAME( RMOD3 RMANCH 1 XCIYES)
CCSID 'Cp1047';

COMMENT ON DATABASE HOSPDBD1 IS 'This describes database HOSPDBD1.'
```

The DBD source change to provide a different randomizer, XCI, encoding, and new comment.

```
DBD    NAME=HOSPDBD1,              C
        ENCODING=Cp943C,
```

```
ACCESS=(DEDB),          C
RMNAME=(FPERNDM0,1,,,)  C
PASSWD=NO
```

The following example is the DDL equivalent to the DBD source.

```
ALTER DATABASE HOSPDBD1
  RMNAME(FPERNDM0 RMANCH 1 XCINO)
  CCSID 'Cp943C';
COMMENT ON DATABASE HOSPDBD1 IS 'Implemented change to database HOSPDBD1.'
```

ALTER TABLE

The ALTER TABLE statement enables you to make changes to an existing table. Unlike the CREATE TABLE statement, there are no default values for each keyword attribute. You must specify a keyword or value in order to change that value. If a keyword or value is not specified, then no change is made to that attribute.

Restriction: If you specify any of the following keywords on the CREATE TABLE statement, you cannot change the keyword and keyword value by using the ALTER TABLE statement. To change the keyword and keyword value, you must first use the DROP TABLE statement to delete the table. Then, you must re-create the table by using the CREATE TABLE statement and specify the keyword and keyword value again.

- The INTERNALNAME*internalname* keyword to specify the internal name of the segment type being defined.
- DIRECT DEPENDENT | SEQUENTIAL DEPENDENT

Invocation

This statement can be submitted from a Java application program with an establish connection to IMS through the IMS Universal JDBC drivers. It is an executable statement that cannot be dynamically prepared.

- [“ALTER TABLE syntax” on page 620](#)
- [“table-options syntax” on page 621](#)
- [“data capture changes syntax” on page 622](#)
- [“exit_attributes syntax” on page 622](#)
- [“alter-options syntax” on page 622](#)
- [“column-alteration syntax” on page 623](#)
- [“datatype syntax” on page 623](#)
- [“ims-column syntax” on page 624](#)
- [“inline-constraint syntax” on page 625](#)
- [“constraint syntax” on page 625](#)
- [“references-clause syntax” on page 625](#)
- [“map-definition syntax” on page 625](#)
- [“case-definition syntax” on page 625](#)

ALTER TABLE syntax

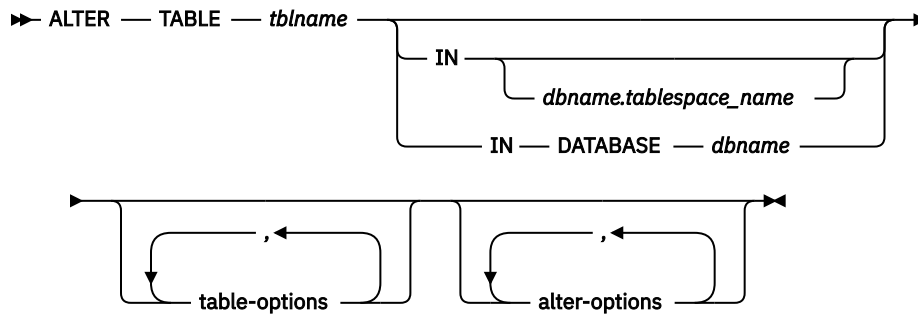
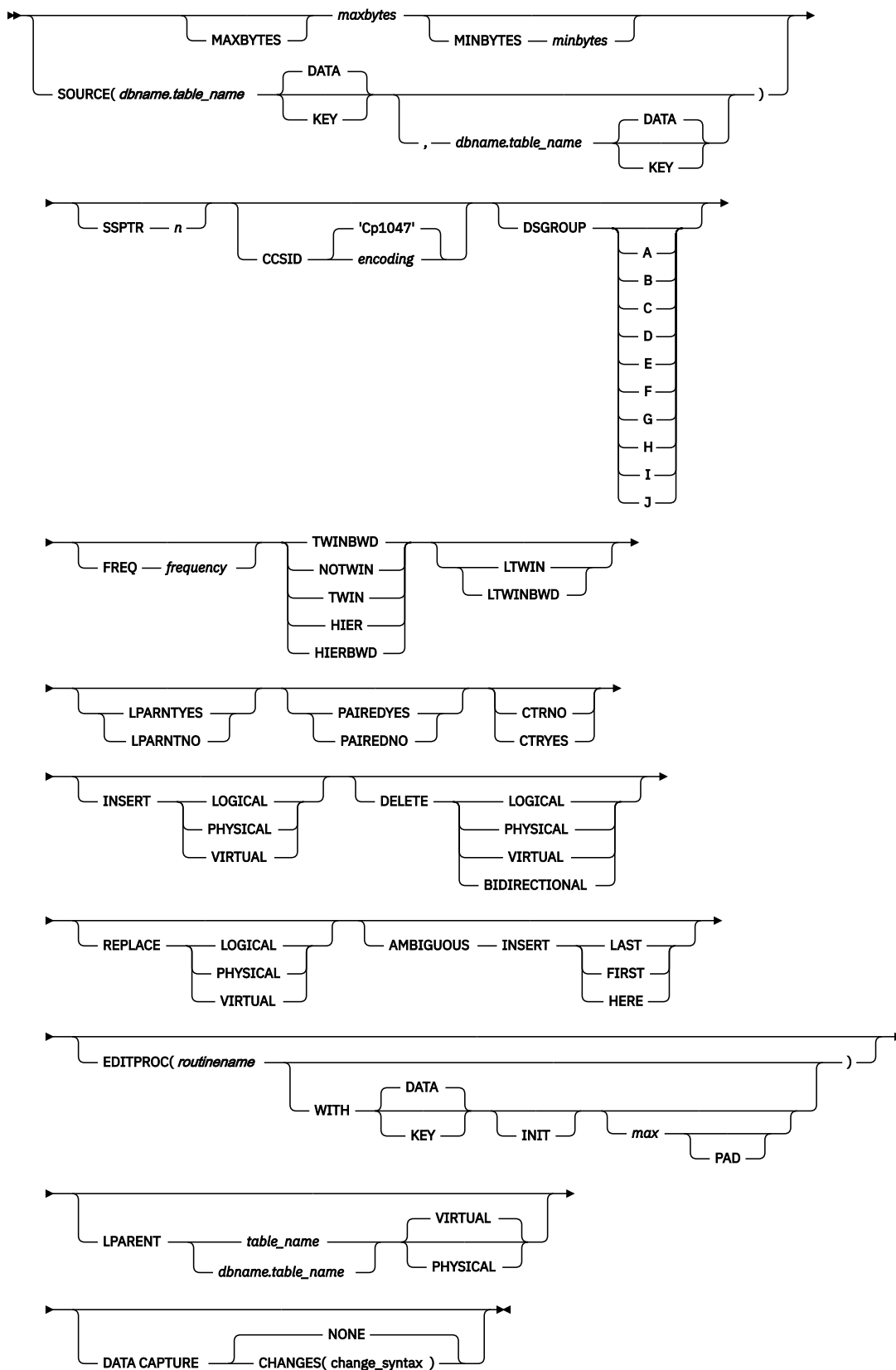
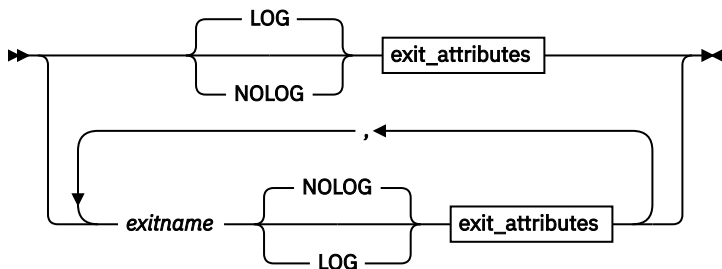


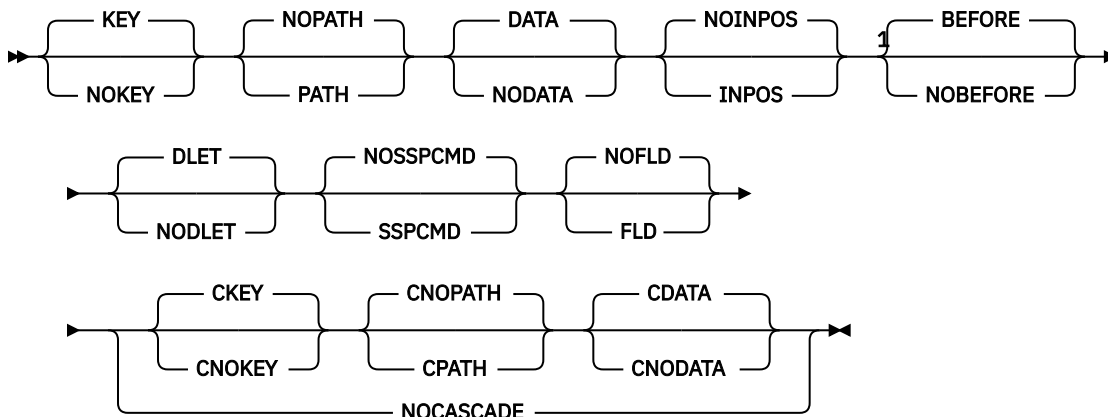
table-options syntax



data capture changes syntax



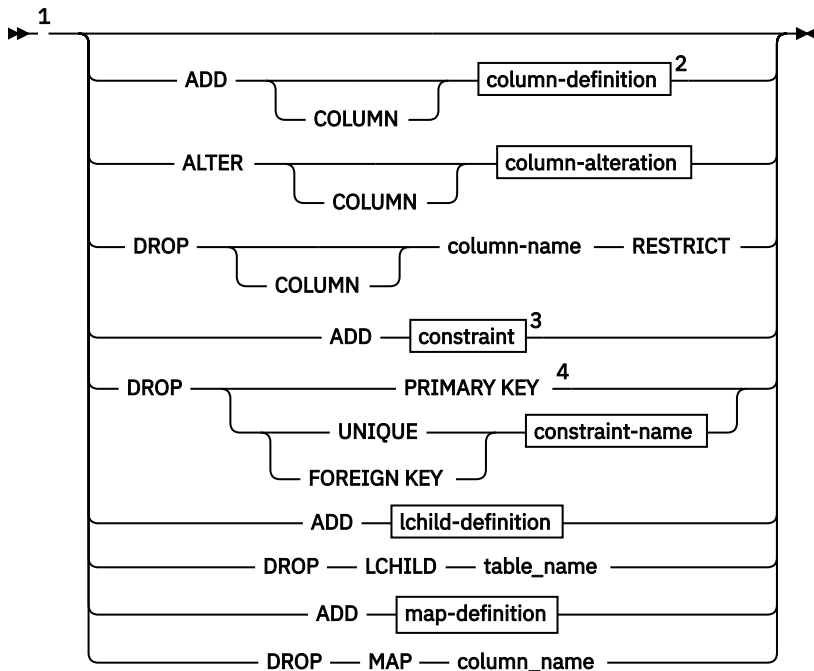
exit_attributes syntax



Notes:

¹ BEFORE, NOBEFORE, DLET, NODLET, SSPCMD, NOSSPCMD, FLD, and NOFLD are for DEDB only.

alter-options syntax



Notes:

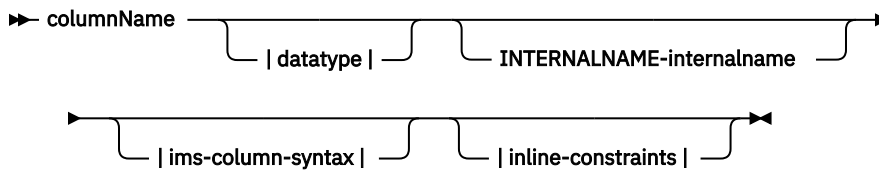
¹ The same clause must not be specified more than one time, except for the ADD COLUMN or ALTER COLUMN clauses. If multiple ADD COLUMN clauses are specified in the same statement, at most one ADD COLUMN clause can contain a references-clause.

² See column-definition descriptions from CREATE TABLE section.

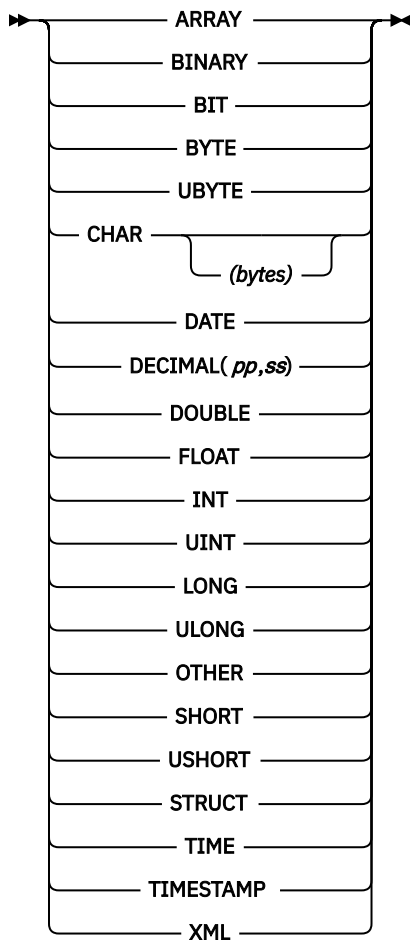
³ ADD constraint, DROP PRIMARY KEY, DROP FOREIGN KEY clauses are mutually exclusive and can only have one per ALTER TABLE statement.

⁴ ADD constraint, DROP PRIMARY KEY, DROP FOREIGN KEY clauses are mutually exclusive and can only have one per ALTER TABLE statement.

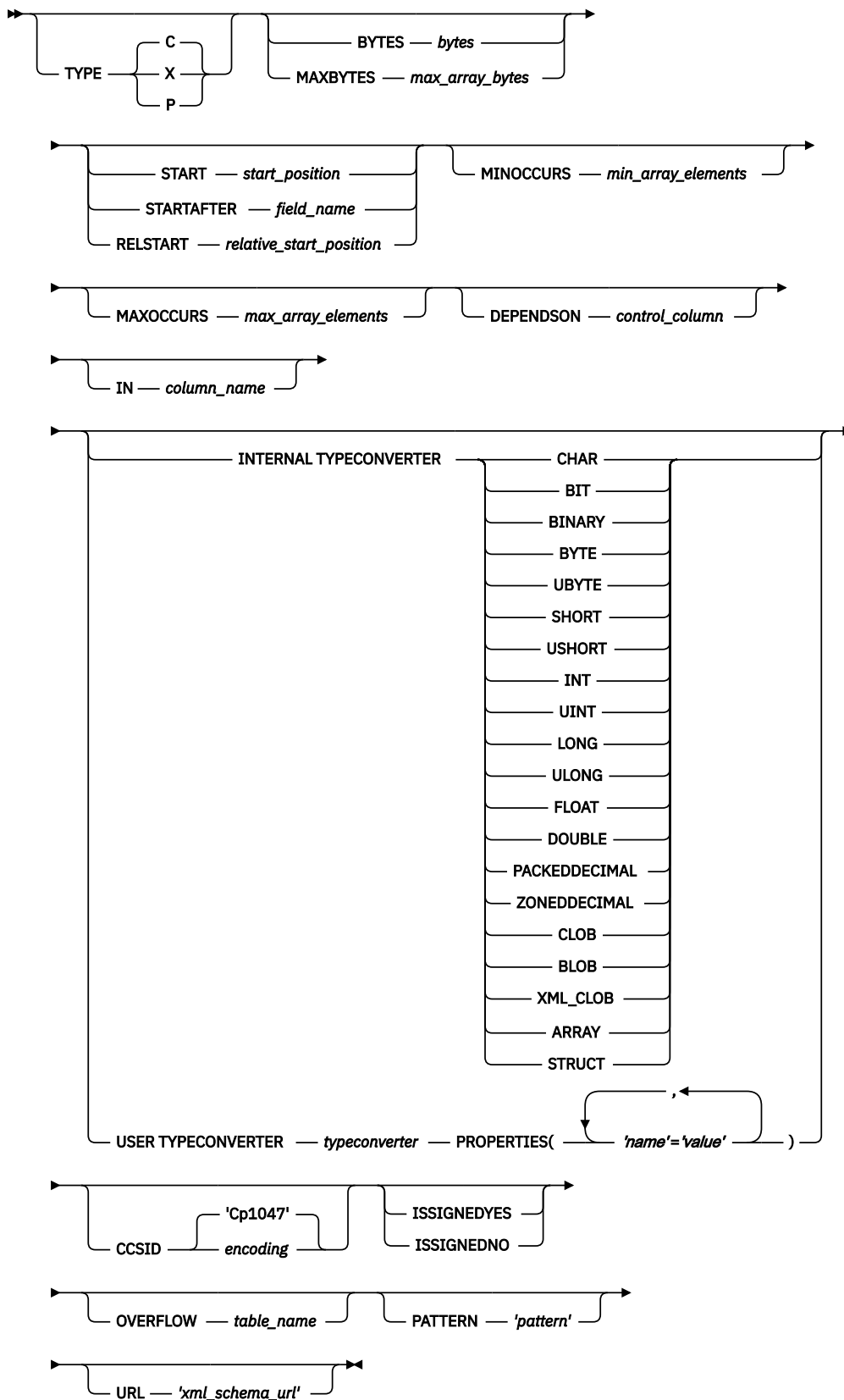
column-alteration syntax



datatype syntax



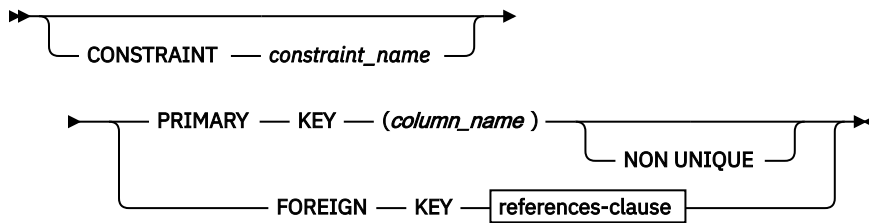
ims-column syntax



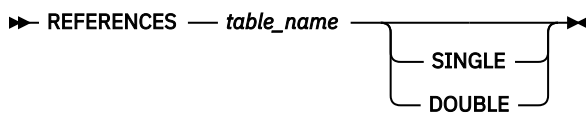
inline-constraint syntax



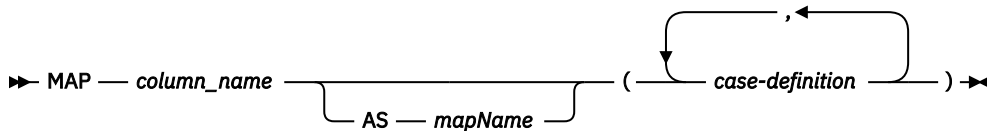
constraint syntax



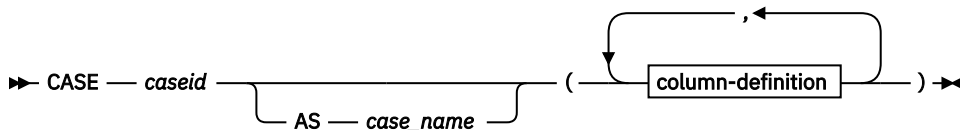
references-clause syntax



map-definition syntax



case-definition syntax



Keyword parameters for ALTER TABLE

Descriptions of all table-options are defined in the CREATE TABLE section. All table-options are optional and do not imply a default value if not specified. Specifying a table-option means a new value is being supplied to replace the existing one.

Specifying the DATA CAPTURE keyword replaces all data capture exits that were previously supplied, if any. If multiple data capture exits were previously supplied they must all be respecified if needed.

The following keyword parameters are defined for the ALTER TABLE statement:

ALTER TABLEtblname

Identifies the table to be altered. The name must identify a table that exists at the current database.

Specify an external name as a 1 to 128 character uppercase alphanumeric string. A table name can include the underscore character. Table names cannot be reserved SQL keywords or begin with DFS.

Keyword parameters for ALTER TABLE (table-options)

The following keyword parameters are defined for the ALTER TABLE (table-options) statement:

SOURCE

Is the IMS internal table name and is used for two purposes:

- To identify the real logical child segment type that is to be represented by the virtual logical child segment type that is being defined
- To identify the segment type or types in physical databases that are represented by the segment type being defined in a logical database

Restriction: The SOURCE keyword is not allowed for PHDAM and PHIDAM databases because they support only physical pairing.

When defining a virtual logical child the statement is:

➤ SOURCE=((*segname*, DATA, *dbname*)) ➤

segname

Specifies the name of the real, logical child

DATA

Indicates that both the key and the data portions of *segname* are to be used in constructing the segment. This parameter is required.

dbname

Specifies the name of the physical database that contains the real logical child.

When defining a segment type in a logical database the statement is:

➤ SOURCE= ➤

➤ (((*segname* , DATA , *dbname*) , (*segname* , KEY , *dbname*))) ➤

(*segname*, KEY | DATA,*dbname*)

The first occurrence refers to the segment in a physical database that is being defined as a logical segment, or it refers to the logical child segment type in a physical database that is used for the first portion of a concatenated segment type in this logical database.

segname

Is the name of the segment type in the physical database.

KEY

Specifies that the key portion of the segment specified in *segname* is to be placed in the key feedback area. The segment must not be placed in the user I/O area when a call is issued to process the logical segment type that represents *segname*.

DATA

Specifies that the key portion of the segment specified in *segname* must be placed in the key feedback area, and the segment must be placed in the user I/O area when a call is issued to process the logical segment type that represents *segname*.

dbname

Specifies the name of the physical database that contains *segname*. The second occurrence of (*segname*, KEY|DATA, *dbname*) refers to the logical or physical parent segment type in a physical database that is used for the destination parent part of a concatenated segment in this logical database. The description of each parameter for the second occurrence is the same as described for the first occurrence.

When the first occurrence of (*segname*, KEY | DATA, *dbname*) refers to a virtual logical child, the second occurrence, if specified, must refer to the real logical child's physical parent.

When the source segments is used to represent a concatenated segment, the KEY and DATA parameters are used to control which of the two segments (or both) are placed in the user's I/O area on retrieval calls. If DATA is specified, the segment is placed in the user's I/O area. If KEY is specified, the segment is not placed in the user's I/O area, but the sequence field key, if one exists, is placed in the key feedback area of the PCB. The key of a concatenated segment is the key of the logical child, either the physical twin sequence field or the logical twin sequence field,

depending on which path the logical child is accessed from. The KEY and DATA parameters apply to retrieval type calls only.

On insert calls, the user's I/O area must always contain the logical child segment and, unless the insert rule is physical, the logical parent segment. Even if KEY is specified for a segment, the database containing that segment must be available to IMS when calls are issued against the logical database containing the referenced segment. When the first occurrence of the SOURCE segment specification references a logical child, the second occurrence referencing the destination parent for the concatenated segment should also be specified. If not explicitly specified it is included with the KEY parameter by default when the blocks are built.

The segments defined with a logical DBD generation must gain their physical definition from segments previously defined in one or more physical DBD generations.

If the SEGM statement defines a segment in an INDEX data set, the SOURCE parameter is invalid.

MAXBYTES *maxbytes*

MINBYTES *minbytes*

Defines a segment type as variable-length if the minbytes parameter is included. The maxbytes field specifies the maximum length of any occurrence of this segment type. The maximum and minimum allowable values for the maxbytes parameter are the same values as described for a fixed-length segment.

If the segment is processed by a compression routine, set the maxbytes field to accommodate control information to indicate whether the segment length can be longer than the specified maximum definition. In order to avoid an abend 0799. To allow for the expansion, add an arbitrary value of 10 bytes to the maxbytes.

The minbytes parameter specifies the minimum amount of storage used by a variable-length segment. The maximum value for minbytes is the value specified for maxbytes. The minimum value for minbytes must be:

- For a segment type that is not processed by an edit/compression routine or is processed by an edit/compression routine but the key compression option has not been specified, minbytes must be large enough to contain the complete sequence field if a sequence field has been specified for the segment type.
- For a segment type that is processed by an edit/compression routine that includes the key compression option or a segment that is not sequenced, the minimum value is 4.

Because segments in an HSAM, SHSAM, INDEX, PSINDEX or SHISAM database cannot be variable-length, the minbytes parameter is invalid for these databases.

In a Fast Path DEDB, a segment starts with a 2-byte field, which defines the length of the segment including the 2-byte length field, followed by user data specified by a column. The value of minbytes can be specified from a minimum of 4 bytes to a maximum of maxbytes; however, the minbytes value must be large enough to contain this segment's sequence field (that is, $\text{minbytes} \geq \text{START} - 1 + \text{BYTES}$ of the sequence field following the table). For example, the smallest minbyte value for a segment with a 20-byte sequence field length and $\text{START} = 7$ is 26. On any given DL/I call, the actual segment length can fall anywhere between a length that includes the sequence field and the value of maxbytes. The value of maxbytes must not exceed the control interval size minus 120.

TWINBWD | NOTWIN | TWIN | HIER | HIERBWD

Specifies the pointer fields to be reserved in the prefix area of occurrences of the segment type being defined. These fields are used to relate this segment to its immediate parent segments and twin segments.

TWINBWD

Reserves a 4-byte physical twin forward pointer field and a 4-byte physical twin backward pointer field in the segment prefix being defined. The twin backward pointers provide increased delete performance.

Recommendation: This option is recommended for HIDAM and PHIDAM database root segments.

NOTWIN

Prevents space from being reserved for a physical twin forward pointer in the prefix of occurrences of the segment type being defined.

NOTWIN can be specified for a dependent segment type if:

- The physical parent does not have hierarchic pointers specified.
- No more than one occurrence of the dependent segment type is stored as a physical child of any occurrence of the physical parent segment type.

In addition, NOTWIN can be specified for the root segment type of HDAM and PHIDAM databases, but only when the randomizing module does not produce synonyms (keys with different values having the same block and anchor point).

When NOTWIN is specified for a dependent segment type and an attempt is made to load or insert a second occurrence of the dependent segment as a physical child of a given physical parent segment:

- An LB status code is returned when trying to insert the second occurrence during initial load.
- An II status code is returned when trying to insert the second occurrence after initial load.

Any attempt to load or insert a synonym is rejected with an LB or II status code.

TWIN

Reserves a 4-byte physical twin forward pointer field in the segment prefix being defined.

HIER

Reserves a 4-byte hierarchic forward pointer field in the prefix of occurrences of the segment type being defined. HALDB does not support HIER.

HIERBWD

Reserves a 4-byte hierarchic forward pointer field and a 4-byte hierarchic backward pointer field in the prefix of occurrences of the segment type being defined. Hierarchic backward pointers provide increased delete performance. HALDB does not support HIERBWD.

LPARNTYES | LPARNTNO

Specifies the type of logical parent.

LPARNTYES

This parameter can be specified only when the segment type that is being defined is a logical child and the logical parent is in an HDAM, HIDAM, PHDAM, or PHIDAM database. If the logical parent is in a HISAM database, omit this parameter and specify PHYSICAL in the PARENT= parameter for the segment that is being defined.

For HDAM, HIDAM, and HISAM databases, LPARNT reserves a 4-byte logical parent pointer field in the prefix of occurrences of the segment type being defined.

For PHDAM and PHIDAM databases, LPARNT reserves a 28-byte extended pointer set in the prefix of occurrences of the segment type being defined.

LPARNTNO

Specifies that the segment type that is being defined is not a logical child or the logical parent is not in an HDAM, HIDAM, PHDAM, or PHIDAM database.

PAIREDYES | PAIREDNO

Specifies whether this segment participates in a bidirectional logical relationship.

PAIREDYES

Indicates that this segment participates in a bidirectional logical relationship. This parameter is specified for the following types:

- A virtual logical child segment type
- Both physically paired logical child segment types in a bidirectional logical relationship

If PAIRED is specified, the LTWIN and LTWINBWD parameters are invalid.

PAIREDNO

Indicates that this segment does not participate in a bidirectional logical relationship.

CTRNO | CTRYES

Specifies...

CTRNO

Does not reserve a 4-byte counter field in the prefix of occurrences of the segment type being defined.

CTRYES

Reserves a 4-byte counter field in the prefix of occurrences of the segment type being defined. A counter is required if a logical parent segment in a HISAM, HDAM, or HIDAM database has logical child segments which are not connected to it by logical child pointers. Counters are placed in all segments requiring them automatically during DBD generation without the user specifying this parameter. To avoid a later DBD generation, however, the user can anticipate future requirements for counters and reserve a counter field in the prefix of occurrences of a segment type by using this parameter. HALDB does not support CTR.

INSERT {LOGICAL | PHYSICAL | VIRTUAL}**DELETE {LOGICAL | PHYSICAL | VIRTUAL | BIDIRECTIONAL}****REPLACE {LOGICAL | PHYSICAL | VIRTUAL}**

Specifies the rules used for insertion, deletion, and replacement of occurrences of the segment type being defined. These parameters are specified for logical child segments and for their physical and logical parent segments. They should be omitted for all segment types that do not participate in logical relationships.

AMBIGUOUS INSERT {LAST | FIRST | HERE}

Specifies where new occurrences of the segment type defined by this table are inserted into their physical database (establishes the physical twin sequence). This value is used only when processing segments with no sequence field or with a nonunique sequence field. The value is ignored when specified for a segment type with a unique sequence field defined.

Except for HDAM and PHDAM roots, the rules of FIRST, LAST, or HERE do not apply to the initial loading of a database and segments are loaded in the sequence presented in load mode. If a unique sequence field is not defined for the HDAM root on initial load or HD reload, the insert rules of FIRST, LAST, or HERE determine the sequence in which roots are chained. Thus the reload of an HDAM or PHDAM database reverses the order of the unsequenced roots when HERE or FIRST is used.

LAST is the default except for DEDB segments.

For Fast Path sequential dependent segment processing, the insert rule of FIRST is always used and cannot be overridden. For direct dependent segment processing, you can specify FIRST, LAST, or HERE. HERE is the default.

FIRST

For segments without a sequence field defined, a new occurrence is inserted before all existing physical twins. For segments with a nonunique sequence field defined, a new occurrence is inserted before all existing physical twins with the same sequence field value.

LAST

For segments without a sequence field defined, a new occurrence is inserted after all existing physical twins. For segments with a nonunique sequence field defined, a new occurrence is inserted after all existing physical twins with the same sequence field value.

HERE

For segments without a sequence field, a new occurrence is inserted immediately before the physical twin on which position was established. If a position was not established on a physical twin of the segment being inserted, the new occurrence is inserted before all existing physical twins. For segments with a nonunique sequence field defined, a new occurrence is inserted immediately before the physical twin with the same sequence field value on which position was established. If a position was not established on a physical twin with the same sequence field value, the new occurrence is inserted before all physical twins with the same sequence field value. The insert position is dependent on the position established by the previous DL/I call.

A command code of L (last) takes precedence over the insert rule specified causing a new occurrence to be inserted according to the insert rule of LAST, for insert calls issued against a physical path.

DSGROUP

Specifies multiple data set groups for PHDAM and PHIDAM databases. The format is DSGROUP *c*, where *c* is equivalent to the letters A through J. This enables you to divide PHDAM and PHIDAM databases into a maximum of ten data set groups. The default for every segment is A (single set for data per partition). If specified on the root segment, it must be DSGROUP A.

Restriction: Gaps in the A-J sequence are not allowed. For example, if DSGROUP C is specified on a CREATE TABLE statement, there must also be at least one CREATE TABLE statement with DSGROUP B, and each HALDB partition will have A, B, and C data sets.

FREQ *frequency*

Specifies the estimated number of times that this segment is likely to occur for each occurrence of its physical parent. The frequency parameter must be an unsigned decimal number in the range 0.01 to $2^{24}-1$. If this is a root segment, "frequency" is the estimate of the maximum number of database records that appear in the database being defined. The value of the FREQ parameter when applied to dependent segments is used to determine the logical record length and physical storage block sizes for each data set group of the database.

CCSID *encoding*

An optional 1- to 25-character field that specifies the encoding of the character data in the segment.

The value specified on the **CCSID** parameter cannot contain the following characters:

- Single and double quotation marks
- Blanks
- Less than (<) and greater than (>) symbols
- Ampersands (&)

The value of the **CCSID** parameter in the table overrides the value of the **CCSID** parameter in the database for this segment. If the **CCSID** parameter is not specified on the table, the default value is either the value of the **CCSID** parameter on the database or, if **CCSID** was not specified on the database, the value Cp1047, which specifies EBCDIC encoding.

This value can be overridden in individual fields by the **CCSID** parameter in the column definition.

SSPTR *n*

For databases defined with a DEDB access type only. Specifies the number of subset pointers. You can specify from 0 to 8. When you specify 0 or if SSPTR is not specified, you are not using a subset pointer.

EDITPROC *routinename*

Selects a Segment Edit/Compression exit routine for either DEDB or full-function database.

For segment edit/compression of full-function database

Do not specify this keyword if the SOURCE keyword is used. The DL/I EDITPROC keyword is invalid for HSAM, SHSAM, SHISAM, INDEX, and logical databases. It is also invalid for logical child segments in any database. When used for a HISAM database, it must not change the sequence field offset for HISAM root segments. In addition, the minimum segment length that can be specified for a segment type where the segment edit/compression option is specified is 4 bytes.

Remember: If you are using a segment edit/compression exit routine and defined your segments as variable-length, be aware that when a variable-length segment is compressed, it is padded with null bytes up to the minimum segment length that was defined in the DBD. Minimum segment length essentially overrides the compression; this enables you to provide additional space during load time for segments that are heavily compressed.

routinename

Specifies the name of the user-supplied edit/compression exit routine. This name must be a 1- to 8-character alphanumeric value, must not be the same as any other name in IMS.SDFSRESL, and must not be the same as a database name.

DATA

Specifies that the indicated exit routine condenses or modifies data fields only. Sequence fields must not be modified, nor data fields that change the position of the sequence field in respect to the start of the segment. DATA is the default value if a compression routine is named but no parameter is selected.

KEY

Specifies that the exit routine can condense or modify any fields within the named segment. This parameter is invalid for the root segment of a HISAM database.

INIT

Indicates that initialization and termination processing control is required by the segment exit routine. When this parameter is specified, the edit/compression routine gains control after database open and after database close.

max

Specifies the maximum number of bytes by which fixed-length segments can increase during compression exits. You can specify from 1 to 32 767 bytes. The default for *max* is 10.

PAD

Indicates that the numeric value supplied by MAX should be used for padding and not for MAX. The numeric range of 1 to 32 767 indicates a size to which an inserted segment will be padded when the compression of that segment results in a length somewhat less than the PAD value.

For segment edit/compression of DEDB***routinename***

Specifies the z/OS load module name of the user-supplied segment edit/compression exit routine. The routine name is required.

DATA

Specifies that only the user data part of the segment is compressed. DATA is the default.

Restriction: The KEY parameter is not supported for DEDB. If you specify the KEY parameter, an error message is issued.

INIT

Allows the segment compression exit routine to gain control immediately after the first area in the database is opened and returns control immediately before the last area in the database is closed. As long as the segment length is within the values specified, no errors occur while checking the field qualification for segment compression or expansion.

Restriction: The EDITPROC clause is prohibited on DEDB tables containing a unique key field located at the end of the table.

LPARENT *table_name* {VIRTUAL | PHYSICAL}

Specifies the logical parent of the table being defined.

table_name

Specifies the IMS internal table name and the name of the logical parent of the table being defined. If the logical parent resides within the same database then you may just specify the table name. If the logical parent resides in a different database then you must specify both the database and table name, such as "database_name.tablename".

VIRTUAL | PHYSICAL

Specifies whether the concatenated key of the logical parent (LPCK) is stored as a part of the logical child segment. Specify the parameter only for logical child segments. If PHYSICAL is specified, the LPCK is stored with each logical child segment. If VIRTUAL is specified, the LPCK is not stored in the logical child segment. PHYSICAL must be specified for a logical child segment whose logical parent is in a HISAM database. It must be specified also for a logical child segment that is sequenced on its physical twin chain through use of any part of the concatenated key of the logical parent.

- PHDAM and PHIDAM
 - PHYSICAL is the default for PHDAM and PHIDAM.

- If VIRTUAL is specified for PHDAM or PHIDAM, it is ignored, and PHYSICAL is used.
- HDAM and HIDAM
 - VIRTUAL is the default for HDAM and HIDAM.
 - Symbolic pointers in HDAM and HIDAM databases use the LPCK and require the PHYSICAL specification.

Keyword parameters for ALTER TABLE data capture changes (change_syntax)

The following keyword parameters are defined for the ALTER TABLE data capture changes (change_syntax) statement:

DATA CAPTURE

When DATA CAPTURE is specified on the CREATE DATABASE statement, these options apply to all tables within the physical database. If you specify this parameter in the CREATE or ALTER TABLE statement, it overrides the specification for this statement.

The following physical databases support DATA CAPTURE:

- HISAM
- SHISAM
- HDAM
- PHDAM
- HIDAM
- PHIDAM
- DEDB

NONE

Indicates no data capture options.

CHANGES

You can specify any number of exit routines, each with its own set of change options. If you do not provide an exit routine, they can only specify 1 set of change options for logging. This method is equivalent to specifying an asterisk (*) in place of an exit routine name on the EXIT= parameter in a DBD macro statement. Each set is separated by a comma. NOCASCADE is mutually exclusive with any combination of the C* (for example, CKEY) options.

The following options are valid for DATA CAPTURE CHANGES:

NOBEFORE | BEFORE

Before data is included in X'99' log records for REPL calls. NOBEFORE is the default. This attribute is valid only for DEDB.

CDATA | CNODATA

Passes segment data to the exit routine for a cascade delete. CDATA also identifies the segment being deleted when the physical concatenated key is unable to do so. This attribute is mutually exclusive with NOCASCADE.

CKEY | CNOKEY

Passes the physical concatenated key to the exit. This key identifies the segment being deleted by a cascade delete. This attribute is mutually exclusive with NOCASCADE.

CNOPATH | CPATH

Indicates the exit routine does not require segment data in the physical root's hierarchical path. Use CNODATA to eliminate the substantial amount of path data needed for a cascade delete. This attribute is mutually exclusive with NOCASCADE.

DATA | NODATA

DATA specifies that the physical table data is passed to the exit routine for updating. When DATA is specified and an EDITPROC exit routine is also used on a table, the data passed is expanded data. DATA is the default.

NODLET | DLET

X'99' log records are written for DLET calls. NODLET is the default. This attribute is valid only for DEDB.

exitname

Specifies the name of the exit routine that processes the data. The name must match the name of a Data Capture exit routine as defined by the user to IMS. A maximum of 8 alphanumeric characters is allowed.

KEY | NOKEY

KEY specifies the exit routine is passed the physical concatenated key. This key identifies the physical table updated by the application. KEY is the default.

NOCASCADE

Indicates the exit routine is not called when DL/I deletes this segment. Cascade delete is not necessary when a segment without dependents is deleted.

NOFLD | FLD

The FLD option requests that updates made by a DEDB FLD call be captured. This option is valid only for a DEDB, and this information is logged only in the X'9904' log records if the option log is specified. This information is not passed to the data capture exit. This attribute is valid only for DEDB.

NOINPOS | INPOS

The INPOS option requests that twin data be passed when an ISRT is done for an unkeyed or non-unique keyed segment when an insert rule of HERE is used and the F or L command code is not used. The twin data IMS is positioned on at the time before the ISRT will be captured.

NOLOG | LOG

The LOG option requests that the data capture control blocks and data be written to the IMS system log.

For more information, see [Asynchronous data propagation \(System Programming APIs\)](#).

NOPATH | PATH

NOPATH indicates the exit routine does not require data from tables in the physical root's hierarchical path. NOPATH is an efficient way to avoid the processing time needed to retrieve path data. NOPATH is the default.

PATH can be specified when the data from each segment in the physical root's hierarchical path must be passed to the exit routine for an updated segment. Use PATH to allow an application to separately access several segments for insertion, replacement, or deletion.

You can use the PATH option when information from tables in the path is needed to compose the DB2® for z/OS primary key. The DB2 for z/OS primary key would then be used in a propagation request for a dependent table update. Typically, you need this kind of table information when the parent contains the key information and the dependent contains additional data that would not fit in the parent table.

You can also use PATH when additional processing is necessary. It could be that you are not accessing several tables with one call; for example, you did not invoke the D command code. In this case, additional processing is necessary if the application is to access each table with a separate call.

NOSSPCMD | SSPCMD

The SSPCMD option requests that DEDB subset pointer command codes are captured. This option is valid for DEDBs only.

Keyword parameters for ALTER TABLE (alter-options)

Descriptions of all table-options are defined in the ALTER TABLE statement. All table-options are optional and do not imply a default value if not specified. Specifying a table-option means a new value is being supplied to replace the existing one.

Specifying the DATA CAPTURE keyword replaces all data capture exits that were previously supplied, if any. If multiple data capture exits were previously supplied they must all be respecified if needed.

Restrictions: You can specify the following clauses only once in an ALTER TABLE statement:

- ADD LCHILD
- ADD MAP
- DROP COLUMN
- DROP LCHILD
- DROP MAP
- RENAME COLUMN

The ADD COLUMN and ALTER COLUMN clauses can be specified multiple times in an ALTER TABLE statement.

The following keyword parameters are defined for the ALTER TABLE (alter-options) statement:

ADD [COLUMN] *column-definition*

Adds a column to the table. The column must be unique in the table.

column_name

column_name represents the external name that is stored only in the IMS catalog, not in the database that you are defining. Specify an external name as a 1- to 128-character uppercase alphanumeric string. An external name can include underscore characters. Column names must be unique within a segment.

Restriction: Column names cannot be reserved SQL keywords or begin with DFS.

For a list of the reserved SQL keywords that are restricted by the IMS Universal drivers, see [Portable SQL keywords restricted by the IMS Universal JDBC drivers \(Application Programming\)](#).

INTERNALNAME *internalname*

Specifies the name of this field within a segment type. The name can be referred to by an application program in a DL/I call SSA. Field names must be unique within a segment definition. The fldname1 value must be a 1- to 8-character alphanumeric value. The INTERNALNAME parameter is required on the following types of fields:

- Key-sequenced field types, which specify the SEQ parameter
- Field types that are referenced by a segment search argument (SSA)
- Field types that are referenced by a PSB as a sensitive field.
- Field types that are referenced by an XDFLD

For other field types, you can omit the INTERNALNAME parameter. Omitting the INTERNALNAME parameter can save storage in the data management block (DMB) of a database. However, to be able to search on this field, you must specify the INTERNALNAME parameter. The INTERNALNAME parameter cannot be specified on the following types of fields:

- Fields that are defined as arrays. A field that is defined as an array includes ARRAY in the field definition.
- Fields that are defined as array elements. A field that is an array element specifies the name of an array field on the IN keyword in the column.
- Fields that are defined as structures that contain one or more nested dynamic arrays. A field that is defined as a structure includes STRUCT in the column.
- Fields that are contained in a structure that also contains a dynamic array. A field that is contained within a structure specifies the name of the structure field on the IN keyword in the column.
- Fields that follow a dynamic array in a segment. A field that follows a dynamic array specifies the STARTAFTER parameter.
- Fields that include the RELSTART parameter to specify a starting position that is relative to the starting position of another field.
- Fields that are defined with XML.

The INTERNALNAME parameter must be specified for /CK and /SX columns. When specifying /CK or /SK names, they must be enclosed in double quotes (").

- HSAM, SHSAM, INDEX, PSINDEX, and DEDB do not allow /CK or /SX columns.
- HISAM and SHISAM only allow /CK columns.
- HDAM, HIDAM, PHDAM, and PHIDAM allow /CK and /SX columns.

ALTER [COLUMN] *column-alteration*

Alters the definition of an existing column. Only the attributes specified are altered. Other attributes remain unchanged. Only future values of the column are affected by the changes made with an ALTER TABLE ALTER COLUMN statement. The column-alteration attributes are similar to the column-definition attributes defined in the CREATE TABLE section with the exception that they only need to be specified if an attribute needs to be changed.

RENAME [COLUMN] *source-column-name TO target-column-name*

Renames the specified column. The names must not be qualified.

source-column-name

Identifies the column that is to be renamed. The name must identify an existing column of the table.

target-column-name

Specifies the new name for the column. The name must not identify a column that already exists in the table.

DROP [COLUMN] *column-name RESTRICT*

Drops the identified column from the table.

ADD *lchild-definition*

Adds an lchild. For an explanation of the options, see the lchild definitions in [“CREATE TABLE” on page 686](#)

DROP LCHILD *table_name*

Drops the identified lchild from the table and associated xdfld if any. The table_name parameter specifies the IMS internal name of the logical child.

Keyword parameters for ALTER TABLE (column-definition)

The following keyword parameters are defined for the ALTER TABLE (column-definition) statement:

column_name

column_name represents the external name that is stored only in the IMS catalog, not in the database that you are defining. Specify an external name as a 1- to 128-character uppercase alphanumeric string. An external name can include underscore characters. Column names must be unique within a segment.

Restriction: Column names cannot be reserved SQL keywords or begin with DFS.

For a list of the reserved SQL keywords that are restricted by the IMS Universal drivers, see [Portable SQL keywords restricted by the IMS Universal JDBC drivers \(Application Programming\)](#).

INTERNALNAME *internalname*

Specifies the name of this field within a segment type. The name can be referred to by an application program in a DL/I call SSA. Field names must be unique within a segment definition. The fldname1 value must be a 1- to 8-character alphanumeric value. The INTERNALNAME parameter is required on the following types of fields:

- Key-sequenced field types, which specify the SEQ parameter
- Field types that are referenced by a segment search argument (SSA)
- Field types that are referenced by a PSB as a sensitive field.
- Field types that are referenced by an XDFLD

For other field types, you can omit the INTERNALNAME parameter. Omitting the INTERNALNAME parameter can save storage in the data management block (DMB) of a database. However, to be

able to search on this field, you must specify the INTERNALNAME parameter. The INTERNALNAME parameter cannot be specified on the following types of fields:

- Fields that are defined as arrays. A field that is defined as an array includes DATATYPE=ARRAY in the field definition.
- Fields that are defined as array elements. A field that is an array element specifies the name of an array field on the PARENT parameter in the FIELD statement.
- Fields that are defined as structures that contain one or more nested dynamic arrays. A field that is defined as a structure includes DATATYPE=STRUCT in the field definition.
- Fields that are contained in a structure that also contains a dynamic array. A field that is contained within a structure specifies the name of the structure field on the PARENT parameter in the FIELD statement.
- Fields that follow a dynamic array in a segment. A field that follows a dynamic array specifies the STARTAFTER parameter.
- Fields that include the RELSTART parameter to specify a starting position that is relative to the starting position of another field.
- Fields that are defined with DATATYPE=XML.

Keyword parameters for ALTER TABLE (datatype)

The following keyword parameters are defined for the ALTER TABLE (datatype) statement:

ARRAY | BINARY | ...

An optional 3- to 9-character alphanumeric field that specifies the external data type of the field.

If DECIMAL is specified on the DATATYPE parameter, the default INTERNAL TYPECONVERTER is signed PACKEDDECIMAL.

If DATE, TIME, or TIMESTAMP is specified on the DATATYPE parameter, you must specify either LONG or CHAR on the INTERNAL TYPECONVERTER parameter in the column definition or specify a USER TYPECONVERTER. If a column definition is not included for this field, INTERNAL TYPECONVERTER LONG is the default. When LONG is used, the value is stored on DASD as the number of milliseconds since January 1, 1970.

If XML is specified on the DATATYPE parameter, the default INTERNAL TYPECONVERTER is XML_CLOB, which is the only valid value when DATATYPE=XML is specified.

If STRUCT or ARRAY is specified on the DATATYPE parameter, the default INTERNAL TYPECONVERTER is STRUCT or ARRAY, respectively, which are the only valid values when either one is specified on the DATATYPE parameter.

For all other values for DATATYPE, the value is used as the default INTERNAL TYPECONVERTER.

If TYPE=C, DATATYPE defaults to CHAR. For any other specification of the TYPE parameter, DATATYPE defaults to BINARY.

Valid values are:

ARRAY

When ARRAY is specified:

- The INTERNALNAME parameter is not supported
- The byte value specified on either the BYTES or MAXBYTES parameter must be equal to or greater than the sum total of the bytes of all fields contained in the array.

The MSDB database type does not support the ARRAY data type.

You cannot redefine a field that has been defined as an ARRAY or that contains an ARRAY.

A field that is defined as an array includes DATATYPE=ARRAY in the field definition.

A field that is an array element specifies the name of an array field on the PARENT parameter in the FIELD statement.

BINARY

If TYPE=P or TYPE=X is specified, BINARY is the default value of the DATATYPE parameter.

BIT

If you specify BIT, you must also specify BYTES=1.

BYTE

If you specify BYTE, you must also specify BYTES=1.

UBYTE

If you specify UBYTE, you must also specify BYTES=1.

CHAR

If TYPE=C is specified, CHAR is the default value of the DATATYPE parameter.

DATE

When DATE is specified, you must also specify BYTES=8, unless you also specify a column definition that includes either INTERNAL TYPECONVERTER CHAR or USER TYPECONVERTER *convertername*.

DECIMAL(pp,ss)**pp**

Precision. A 1- to 2-byte numeric field greater than 0.

ss

Scale. A 1- to 2-byte numeric field greater than or equal to 0. The value specified for ss cannot be greater than the value of *pp*.

You must specify a value on the BYTES parameter that matches the decimal format that is used.

The default decimal format is signed packed decimal. To calculate the required value of the BYTES parameter for the signed packed decimal format, use the following formula: $length = \text{ceiling}((pp + 1) / 2)$

The default decimal format can be changed by specifying the INTERNAL TYPECONVERTER parameter.

When the zoned decimal format is used, as specified by INTERNAL TYPECONVERTER ZONEDDECIMAL, use the following formula to calculate the value of the BYTES parameter: $length = pp$

DOUBLE

If you specify DOUBLE, you must also specify BYTES=8.

FLOAT

If you specify FLOAT, you must also specify BYTES=4.

INT

If you specify INT, you must also specify BYTES=4.

UINT

If you specify UINT, you must also specify BYTES=4.

LONG

If you specify LONG, you must also specify BYTES=8.

ULONG

If you specify ULONG, you must also specify BYTES=8.

OTHER

Specifies the use of a user-defined data type. When OTHER is specified, a column definition must also be specified with a user-provided type converter specified on the USER TYPECONVERTER parameter.

SHORT

If you specify SHORT, you must also specify BYTES=2.

USHORT

If you specify USHORT, you must also specify BYTES=2.

STRUCT

When STRUCT is specified, you cannot also specify the SEQ parameter if this structure field contains a dynamic array field as a child. Dynamic array fields are defined with DATATYPE=ARRAY and the DEPENDSON and MAXBYTES parameters, among others.

Also, the byte value specified on either the BYTES or MAXBYTES parameter must be equal to or greater than the sum total of the bytes of all fields contained in the structure.

The MSDB database type does not support the STRUCT datatype.

TIME

When TIME is specified, you must also specify BYTES=8, unless you also specify a column definition that includes either INTERNAL TYPECONVERTER CHAR or USER TYPECONVERTER *convertername*.

TIMESTAMP

When TIMESTAMP is specified, you must also specify BYTES=8, unless you also specify a column definition that includes either INTERNAL TYPECONVERTER CHAR or USER TYPECONVERTER *convertername*.

XML

Restriction: DATATYPE=XML is not supported when the NAME parameter is specified.

Keyword parameters for ALTER TABLE (ims-column-syntax)

The following keyword parameters are defined for the ALTER TABLE (ims-column-syntax) statement:

BYTES *bytes*

Specifies the length of the field being defined in bytes. For fields other than system-related fields, BYTES must be a valid self-defining term whose value does not exceed 255.

If a concatenated key or a portion of a concatenated key of an index source segment type is defined as a system-related field, the value specified can be greater than 255, but must not exceed the length of the concatenated key of the index source segment.

A case in which the byte length can be greater than 255 is when the column is defined as not searchable by IMS. These columns cannot be defined as primary keys and cannot have the NAME keyword specified.

The length of a /SX system-related field is always 4 bytes; therefore, when specified, the BYTES parameter is disregarded.

If this field is defined as either a structure or an array by STRUCT or ARRAY, the value specified on BYTES must be greater than or equal to the sum total of the bytes of all fields contained in the structure or array.

When XML, the BYTES parameter is optional and the valid values for BYTES range from 0 to the maximum size of the segment. If the BYTES parameter is omitted when XML, BYTES and MAXBYTES are not allowed.

CCSID *encoding*

An optional 1- to 25-character field enclosed in single quotation marks that specifies the encoding of the character data in the column. It is valid only when the INTERNAL TYPECONVERTER is CHAR.

The value specified cannot contain the following characters:

- Single and double quotation marks
- Blanks
- Less than (<) and greater than (>) symbols
- Ampersands (&)

If not specified on for the column, the default value is determined by the value specified on either the table or, if not specified on the table, the database. If the parameter is not specified on either the table or database, the default value is Cp1047, which specifies EBCDIC encoding.

DEPENDSON=

Specifies the name of a field that defines the number of elements in a dynamic array. The FIELD statement of the referenced field must precede the FIELD statement that specifies the DEPENDSON parameter. The name specified must be the value, whether explicitly defined or accepted by default, of the EXTERNALNAME parameter in the definition of the referenced field.

The DEPENDSON parameter is valid only when DATATYPE=ARRAY is also specified. DEPENDSON is required if the values of MINOCCURS and MAXOCCURS are different.

The field referenced by the DEPENDSON parameter must be defined with one of the following DATATYPE values:

- INT
- SHORT
- LONG
- DECIMAL with either (pp) or (pp,ss) specified, where ss is either 0 or 00.

TYPE {C | X | P}

Determines the type of character that IMS uses to mask or pad the data in this field.

C

Specifies alphanumeric data or a combination of types of data. When C is specified, if IMS needs to fill unused bytes in the field, IMS left justifies the value and fills the unused bytes to the right of the value with X'40'. For example, a 3-byte value X'F5F4F3' in a 5-byte field is written out as X'F5F4F34040'.

X

Specifies hexadecimal data. When X is specified, if IMS needs to fill unused bytes in the field, IMS right justifies the value and fills the unused bytes to the left of the value with X'00'. For example, a 3-byte value X'543210' in a 5-byte field is written out as X'0000543210'.

P

Packed decimal data. When P is specified, if IMS needs to fill unused bytes in the field, IMS right justifies the value and fills the unused bytes to the left of the value with X'00'. For example, a 3-byte value X'54321C' in a 5-byte field is written out as X'000054321C'.

MAXBYTES *max_array_bytes*

Specifies the maximum size of a field in bytes when the byte-length of the field instance can vary based on the number of elements in a dynamic array. MAXBYTES and BYTES are mutually exclusive.

The value of MAXBYTES must be greater than or equal to the maximum total of the byte values of all fields nested under this field.

The MAXBYTES parameter is required and valid only in the following cases:

- The field is defined as a dynamic array. A field is a dynamic array when the number of elements in the array can vary from one instance of the field to another. In the definition of a dynamic array, the DEPENDSON parameter references another field in the segment definition that defines the number of array elements for an instance of the dynamic array.
- For a field defined as a static array or a structure that contains a nested field that is defined as a dynamic array.

The MSDB database type does not support the MAXBYTES parameter.

IN *column_name*

Specifies the name of a field that is defined as a structure or array in which this field is contained. The referenced field must be defined with either DATATYPE=ARRAY or DATATYPE=STRUCT.

INTERNAL TYPECONVERTER

Specifies the internal conversion routine that IMS uses to convert the IMS data into the data types that are expected by the application program.

You can specify either INTERNAL TYPECONVERTER or USER TYPECONVERTER, but not both. INTERNAL TYPECONVERTER or USER TYPECONVERTER are mutually exclusive.

Valid values for the **INTERNAL TYPECONVERTER** parameter are:

ARRAY

An array is a data structure that contains as element that repeats.

BINARY

Binary integer includes small integer, large integer, and big integer. Binary numbers are exact representations of integers.

BIT

If you specify BIT, you must also specify BYTES 1 on the corresponding column.

BLOB

The BLOB value can be specified on the INTERNALTYPECONVERTER parameter only when DATATYPE=BINARY is specified in the preceding FIELD statement.

BYTE

If you specify BYTE, you must also specify BYTES 1 on the corresponding column.

UBYTE

If you specify UBYTE, you must also specify BYTES 1 and either DATATYPE BYTE or DATATYPE UBYTE on the corresponding column.

CHAR

The CHAR value can be specified on the INTERNALTYPECONVERTER parameter only when CHAR, DATE, TIME, or TIMESTAMP is specified on the DATATYPE parameter in the preceding FIELD statement.

DOUBLE

If you specify DOUBLE, you must also specify BYTES 8 on the corresponding column.

FLOAT

If you specify FLOAT, you must also specify BYTES 4 on the corresponding column.

INT

If you specify INT, you must also specify BYTES 4 on the corresponding column.

UINT

If you specify UINT, you must also specify BYTES 4 and either DATATYPE INT or DATATYPE UINT on the corresponding column.

LONG

If you specify LONG, you must also specify BYTES 8 on the corresponding column.

ULONG

If you specify ULONG, you must also specify BYTES 8 and either DATATYPE LONG or DATATYPE ULONG on the corresponding column.

PACKEDDECIMAL

PACKEDDECIMAL is a data type extension for the IMS Universal JDBC driver and the IMS Universal DL/I driver.

SHORT

If you specify SHORT, you must also specify BYTES 2 on the corresponding column.

USHORT

If you specify USHORT, you must also specify BYTES 2 and either DATATYPE SHORT or DATATYPE USHORT on the corresponding column.

STRUCT

XML_CLOB

A Character Large Object (CLOB) is a collection of character data in a database management system.

ZONEDDECIMAL

ZONEDDECIMAL is a data type extension for the IMS Universal JDBC driver and the IMS Universal DL/I driver. You need to specify DATATYPE DECIMAL.

When you specify INTERNAL TYPECONVERTER, you must also specify the DATATYPE parameter.

The value that is specified on the INTERNAL TYPECONVERTER parameter must be consistent with the value specified on the DATATYPE parameter. In most cases, you must specify the same value on INTERNAL TYPECONVERTER that you specify on the DATATYPE parameter.

ISSIGNEDYES | ISSIGNEDNO

This parameter is valid only for DATATYPE DECIMAL. The default is ISSIGNEDYES.

MINOCCURS *min_array_elements*

For ARRAY only, a required numeric value that specifies the minimum number of elements in an ARRAY. MINOCCURS must be lesser than or equal to MAXOCCURS.

MAXOCCURS *max_array_elements*

For ARRAY only, a required numeric value that specifies the maximum number of elements in an ARRAY. MAXOCCURS must be greater than or equal to MINOCCURS and not zero.

OVERFLOW *table_name*

A 1- to 8-character name of a dependent table that can be used to store any portion of an XML document that does not fit into the column that is defined to hold the XML document. The parent of the dependent table is the table that contains the XML data column. OVERFLOW applies only to columns that specify DATATYPE XML for XML_CLOB data.

PATTERN

An optional 1- to 50-character field, enclosed in single quotation marks, that specifies the pattern to use for the date, time, and time stamp Java datatypes.

PATTERN applies only when DATE, TIME, or TIMESTAMP is specified on the DATATYPE keyword and CHAR is specified on the INTERNAL TYPECONVERTER keyword. PATTERN is invalid for other datatypes.

Patterns are case-sensitive and must be enclosed in single quotation marks.

Except for single quotation marks that are used as delimiters for the keyword value, the value that is specified on the PATTERN keyword cannot contain the following characters:

- Single and double quotation marks
- Less than (<) and greater than (>) symbols
- Ampersands (&)

Patterns that you can specify are defined by the Java class java.text.SimpleDateFormat. DDL does not check that the value entered on PATTERN conforms to the patterns defined by Java.

For example, if you enter the Java format yyyy.MM.dd, the resulting time format is "2013.01.01".

PROPERTIES *name=value*

Specifies properties for a user type converter that is specified on the USER TYPECONVERTER parameter. These properties are passed to the user type converter.

The PROPERTIES parameter is valid only when USER TYPECONVERTER is specified.

The names and properties that are specified on the PROPERTIES keyword are case-sensitive and must be enclosed in single quotation marks.

The following characters are not supported by the PROPERTIES keyword:

- Single and double quotation marks
- Blanks
- Less than (<) and greater than (>) symbols
- Ampersands (&)

The maximum length for a property name is 128 characters. The maximum length for a property value is also 128 characters.

The format is:

```
PROPERTIES=('name1' = 'value1' , 'name2' = 'value2')
```

For example,

```
PROPERTIES=('DOG' = 'BUTCH' , 'CAT' = 'LUCY')
```

RELSTART *relative_start_position*

Specifies the starting position of a field that is defined as an element of an array or, in some circumstances, a structure. Valid values are from 1 to 32767.

The value specified on RELSTART is the starting byte offset of the field relative to the start of the array or structure. For example, the first field in an array would typically specify RELSTART 1, even if the array that contains the field starts at byte 50 of a segment.

For fields that specify an array field as a parent, RELSTART is required.

For fields that specify a structure as a parent, RELSTART is required if the structure field is defined with RELSTART or STARTAFTER.

In the following example, the field DYNARRAY is a dynamic array. The field STRUCT01 is a structure. The fields FLD03 and FLD04 both specify STRUCT01 as a parent. Because a dynamic array precedes STRUCT01 in the segment, the starting offsets of FLD03 and FLD04 can be specified only relative to the start of STRUCT01.

```
FIELD EXTERNALNAME=ARRAYNUM, DATATYPE=DECIMAL(7,0), START=1, BYTES=4
FIELD EXTERNALNAME=DYNARRAY, DATATYPE=ARRAY, START=5, MAXBYTES=100
      MINOCCURS=10, MAXOCCURS=50, DEPENDSON=ARRAYNUM
FIELD EXTERNALNAME=FLD01, RELSTART=1, BYTES=2, PARENT=DYNARRAY
FIELD EXTERNALNAME=FLD02, STARTAFTER=DYNARRAY, BYTES=10
FIELD EXTERNALNAME=STRUCT01, DATATYPE=STRUCT, STARTAFTER=FLD02, BYTES=10
FIELD EXTERNALNAME=FLD03, RELSTART=1, BYTES=5, PARENT=STRUCT01
FIELD EXTERNALNAME=FLD04, RELSTART=6, BYTES=5, PARENT=STRUCT01
```

START, STARTAFTER, and RELSTART are mutually exclusive.

START *start_position*

Specifies the starting position of the field being defined in terms of bytes relative to the beginning of the segment. The value of START must be a numeric term whose value does not exceed 32767. The starting position for the first byte of a segment is one. For variable-length segments, the first 2 bytes contain the length of the segment. Therefore the first actual user data field starts in byte 3. Overlapping fields are permitted. When defining a logical child segment, the first *n* number of bytes of the segment type is the concatenated key of the logical or physical parent. A field starting in position one would define all or a portion of this field. A field starting in position *n*+1 would start with intersection data.

START can be used for a system-related field, to describe a portion of the concatenated key as a field in an index source segment type. If used in this way, START specifies the starting position of the relevant portion of the concatenated key relative to the beginning of the concatenated key. The first byte of the concatenated key is considered to have a position of one. It must be a numeric term whose value does not exceed the length of the concatenated key plus one. Subtract the value specified in the **BYTES** parameter. The starting position parameter for the /SX system-related field is disregarded.

START, STARTAFTER, and RELSTART are mutually exclusive.

When XML, the START parameter is optional and START 0 can be specified. If the START parameter is omitted when XML, START 0 is the default.

STARTAFTER *field_name*

When the starting byte offset of a field cannot be calculated because the field starts after a dynamic array, specifies the name of the field that directly precedes this field in the segment. The name cannot be the name provided on the NAME keyword.

STARTAFTER is required and valid only when the starting position of a field cannot be calculated because the field is preceded at a prior offset by a field defined as a dynamic array.

Dynamic arrays make it impossible to calculate the starting offsets of subsequent fields in a segment, because the byte lengths of dynamic arrays can vary from one instance of a segment to another. The

columns of dynamic array fields can be identified by the inclusion of the DEPENDSON and MAXBYTES parameters.

The STARTAFTER parameter cannot be specified on fields that define an array field as a parent. Instead, specify the RELSTART parameter.

START, STARTAFTER, and RELSTART are mutually exclusive.

The STARTAFTER data is not returned if the GUR application is using IMS Universal Drivers (UDB).

URL *xml_schema_url*

An optional 1- to 256-character field, enclosed in single quotation marks, for the URL that references the XML schema that describes this field.

For example,

```
URL='MySchema.xsd'
```

The value that is specified on the URL keyword cannot contain the following characters:

- Single and double quotation marks
- Blanks
- Less than (<) and greater than (>) symbols
- Ampersands (&)

The URL parameter applies only with DATATYPE XML for XML_CLOB data.

USER TYPECONVERTER *typeconverter*

Specifies a 1- to 256-character, enclosed in single quotation marks, fully qualified Java class name of the user-provided Java class to be used for type conversion.

For example,

```
USER TYPECONVERTER 'class://com.ibm.ims.dli.types.PackedDateConverter'
```

The value that is specified on the USER TYPECONVERTER keyword cannot contain the following characters:

- Single and double quotation marks
- Blanks
- Less than (<) and greater than (>) symbols
- Ampersands (&)

USER TYPECONVERTER is mutually exclusive with INTERNAL TYPECONVERTER.

Keyword parameters for ALTER TABLE (constraint)

The following keyword parameters are defined for the ALTER TABLE (constraint) statement:

CONSTRAINT *constraint_name*

Names the constraint. If a constraint name is not specified, a unique constraint name is generated. If the name is specified, it must be different from the names of any constraints previously specified on the table.

PRIMARY KEY(*column_name*) NON UNIQUE

Identifies this field as a sequence field in the segment type.

NON UNIQUE

An optional keyword that indicates that duplicate values are allowed in the sequence field of occurrences of the segment type. For a root segment type, the sequence field of each occurrence must contain a unique value, except in HDAM. The root segment type in an HDAM database does not need a key field; if a key field is defined, it does not have to be unique.

If not specified, only unique values are allowed in the sequence field of occurrences of the segment type. For a dependent segment type, the sequence field of each occurrence under a given physical parent segment must contain a unique value.

Keyword parameters for ALTER TABLE (references-clause)

The following keyword parameters are defined for the ALTER TABLE (references-clause) statement:

FOREIGN KEY REFERENCES

For dependent segment types, specifies the name of this segment's physical parent. The *column_name* must follow the format of *x_y*, where *x* is the parent table name and *y* is that table's primary key column name.

REFERENCES *table_name*

Specifies the dependent segments parent segment and is the IMS external table name.

SINGLE|DOUBLE

Specifies the type of physical child pointers to be placed in all occurrences of the physical parent of the current table. **SINGLE** and **DOUBLE** can be specified only for tables in PHDAM, PHIDAM, HDAM, HIDAM or DEDB databases and are ignored if the physical parent specifies hierarchic pointers (HIER or HIERBWD).

SINGLE causes a 4-byte physical child first pointer to be placed in all occurrences of the physical parent of the current table. **SINGLE** is the default.

DOUBLE causes a 4-byte physical child first pointer and a 4-byte child last pointer to be placed in all occurrences of the physical parent of the current table.

DROP PRIMARY KEY

Drops the definition of the primary key.

DROP FOREIGN KEY

Drops the definition of the foreign key.

Keyword parameters for ALTER TABLE (map-definition)

The following keyword parameters are defined for the ALTER TABLE (map-definition) statement:

MAP

A map definition must be preceded by a column definition. The MAP statement enables the alternate mapping of columns within a table. A group of one or more CASE statements that relate to a control column is nested within the table. The control column identifies which CASE is used in a table instance.

column_name

The external name of the column within this table that contains the value that determines which map case is used for a segment instance. If the column does not contain a value that corresponds to a *caseid* value in a CASE statement for this map, this map is not being used for this table instance.

AS *map_name*

An optional 1- to 128-character alphanumeric field that defines the name of this map. If not provided, IMS will automatically generate a unique name within this table. The name must be in the form of DFSMAP*xxxxxxxx*, where *xxxxxxxx* is an incremental number. The DFS prefix is reserved by IMS and cannot be part of a user-created name.

Keyword parameters for ALTER TABLE (case-definition)

The following keyword parameters are defined for the ALTER TABLE (case-definition) statement:

CASE

The CASE statement defines a map case, which is a set of columns that define an optional, alternative field layout for a particular byte range within a table.

Map cases that map the same byte range in a segment are grouped by a MAP statement. The MAP statement also links the map cases to a separately defined control field in the table definition.

Each map case has a unique ID. In an instance of the table, the ID of the map case that is in effect is stored in the control field when the segment is created.

Unless the IMS Universal drivers are used, the field layouts that are defined by the map cases must be defined to the application programs that access this byte range by a COBOL copybook or other programming artifact. When a table instance is accessed, the application programs determine which copybook to use by checking the value of the control field.

When application programs access IMS through the IMS Universal drivers, no additional programming artifacts are needed to define the field layouts to the application programs.

caseid

A 1- to 128 byte field that defines a unique character or hex string. A table instance specifies the *caseid* value in a user-defined control field when part or all of the field structure of the segment is mapped by this case.

When specified as a character string the value must be specified within single quotes, for example: 'name01'. When specified as a hex string the value must be specified within single quotes followed by a hex indicator, for example: '00000001'x.

The *caseid* value can contain alphanumeric characters, underscore (_), @, \$, and #. Or, it can be a hexadecimal string. The length of the value must be supported by the length of the user-defined control field. If alphanumeric, the length of the value must be less than or equal to the value specified on the BYTES parameter of the control field. If it is a hexadecimal string, the length of the CASEID value must be exactly equal to twice the value that is specified on the BYTES parameter of the control field.

A case ID must be unique within the map that the case belongs to.

AS case_name

An optional 1- to 128-character alphanumeric field that defines the name of this case. A case name must be unique within a table. If not provided, IMS will automatically generate a unique name within this table. The name must be in the form of DFSCASExxxxxxx, where xxxxxxxx is an incremental number. The DFS prefix is reserved by IMS and cannot be part of a user-created name.

Example: COGDBD

DBD	NAME=COGDBD,	C	
	ENCODING=Cp1047,		C
	ACCESS=(HDAM,OSAM),		C
	RMNAME=(DFSHDC40,3,3,25),		C
	PASSWD=NO		
DATASET	DD1=COGDATA,		C
	DEVICE=3390,		C
	SIZE=(8192)		
SEGM	NAME=ROOT,		C
	PARENT=0,		C
	BYTES=(28),		C
	RULES=(LLL,HERE)		
FIELD	NAME=(ROOTKEY,SEQ,U),		C
	BYTES=12,		C
	START=1,		C
	TYPE=C,		C
	DATATYPE=CHAR		
FIELD	NAME=TABTYPE,		C
	BYTES=8,		C
	START=13,		C
	TYPE=C,		C
	DATATYPE=CHAR		
FIELD	NAME=NEWFLD01,		C
	EXTERNALNAME=New_Field_01,		C
	BYTES=8,		C
	START=21,		C
	TYPE=X,		C
DFSMARSH	ENCODING=Cp1047,		C
	INTERNALTYPECONVERTER=DOUBLE		
SEGM	NAME=TSINT,		C
	PARENT=ROOT,		C
	BYTES=(8,6),		C

```

REMARKS='This describes table TSINT for testing.', C
FIELD NAME=RNUM, C
      BYTES=4, C
      START=3, C
      DATATYPE=INT
FIELD NAME=LL, C
      BYTES=2, C
      START=1, C
      DATATYPE=SHORT
FIELD NAME=CSINT, C
      EXTERNALNAME=CSINT, C
      BYTES=2, C
      START=7, C
      DATATYPE=SHORT
SEGM NAME=TINT, C
      EXTERNALNAME=TESTINTEGER, C
      PARENT=ROOT, C
      BYTES=(10,6), C
      RULES=(PPP,FIRST) C
      REMARKS='This describes table TINT.', C
      RULES=(LLL,HERE)
FIELD NAME=RNUM, C
      BYTES=4, C
      START=3, C
      DATATYPE=INT
FIELD NAME=LL, C
      BYTES=2, C
      START=1, C
      DATATYPE=SHORT
FIELD NAME=CINT, C
      EXTERNALNAME=CINTEGER, C
      BYTES=4, C
      START=7, C
      DATATYPE=INT

```

```

ALTER TABLE root (
  ADD COLUMN New_Field_01 DOUBLE INTERNALNAME newfld01
) IN DATABASE COGDBD
MAXBYTES 28;

```

Example: Modifying for Database Versioning

For more information about database versioning, see [Database versioning \(Database Administration\)](#).

```

DBD NAME=COGDBD, C
      ENCODING=Cp1047, C
      ACCESS=(HDAM,OSAM), C
      RMNAME=(DFSHDC40,3,3,25), C
      PASSWD=NO
DATASET DD1=COGDATA, C
        DEVICE=3390, C
        SIZE=(8192)
SEGM NAME=ROOT, C
      PARENT=0, C
      BYTES=(28), <-- From 20 to 28 C
      RULES=(LLL,HERE)
FIELD NAME=(ROOTKEY,SEQ,U), C
      BYTES=12, C
      START=1, C
      TYPE=C, C
      DATATYPE=CHAR
FIELD NAME=TABTYPE, C
      BYTES=8, C
      START=13, C
      TYPE=C, C
      DATATYPE=CHAR
FIELD NAME=NEWFLD01, C
      EXTERNALNAME=New_Field_01, C
      BYTES=8, C
      START=21, C
      TYPE=X, C
DFSMARSH ENCODING=Cp1047, C
          INTERNALTYPECONVERTER=DOUBLE

ALTER DATABASE COGDBD
DBVER 1;

```

```
ALTER TABLE root (
  ADD COLUMN New_Field_01 DOUBLE INTERNALNAME newfld01
) IN DATABASE COGDBD
MAXBYTES 28;
```

ALTER TABLESPACE

The ALTER TABLESPACE statement changes attributes of a data set group within a database or an area for a DEDB. Altering a tablespace is an alter against the database resource.

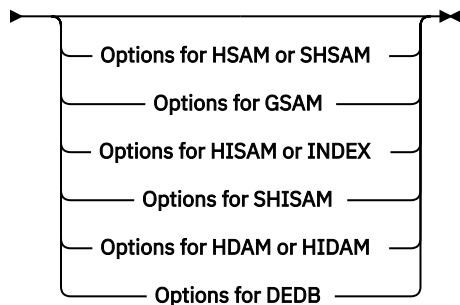
Invocation

This statement can be submitted from a Java application program with an establish connection to IMS through the IMS Universal JDBC drivers. It is an executable statement that cannot be dynamically prepared.

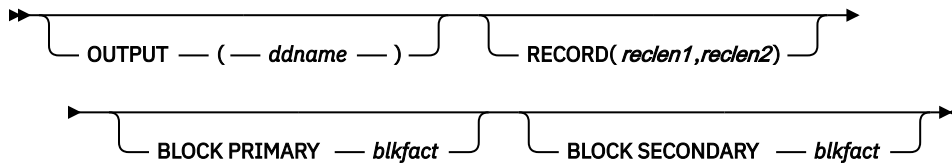
- [“ALTER TABLESPACE syntax” on page 647](#)
- [“HSAM or SHSAM syntax” on page 647](#)
- [“GSAM syntax” on page 648](#)
- [“HISAM or INDEX syntax” on page 648](#)
- [“SHISAM syntax” on page 648](#)
- [“HDAM or HIDAM syntax” on page 648](#)
- [“DEDB syntax” on page 648](#)

ALTER TABLESPACE syntax

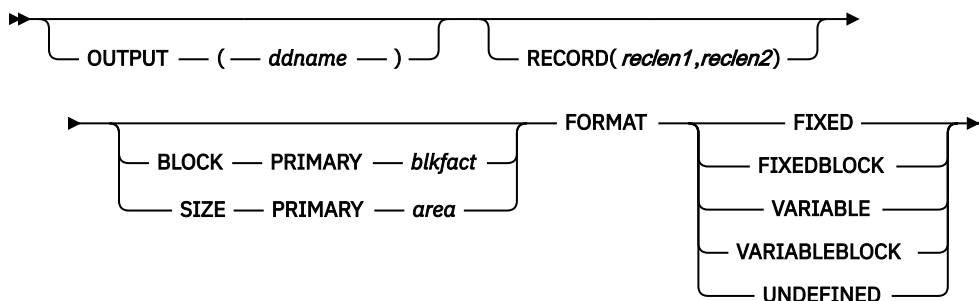
➔ ALTER — TABLESPACE — *ddname* — IN — *database_name* ➔



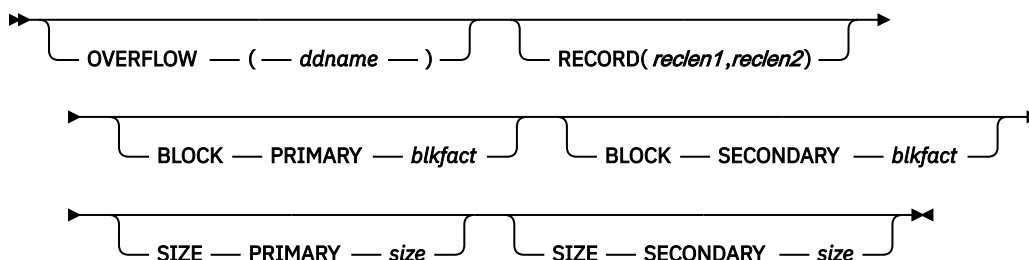
HSAM or SHSAM syntax



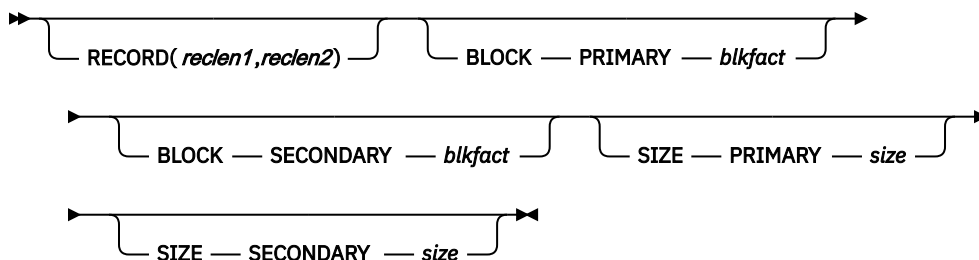
GSAM syntax



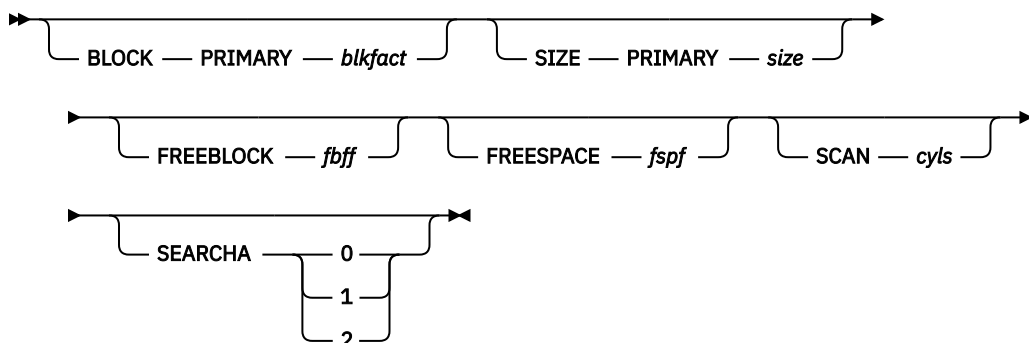
HISAM or INDEX syntax



SHISAM syntax



HDAM or HIDAM syntax



DEDB syntax

➤ `SIZE PRIMARY size UOW(number1, number2) ROOT(number1, number2)` ➤

Description

The following keyword parameters are defined for the ALTER TABLESPACE statement:

ddname

The 1- to 8-character *ddname* for the Fast Path database area or data set group that you want to change. The name can include alphanumeric characters and special characters (#, @, and \$).

For a database area, this name can be an area name or a *ddname* for a data set that contains only one database area, but it must be an area name if the data set contains multiple database areas. If the database is registered with DBRC, use the area name.

HSAM | SHSAM | GSAM

The *ddname* of input data set. The input data set is used when an application program retrieves data from the database.

HISAM | SHISAM | INDEX

The *ddname* of primary data set in data set group.

HIDAM | HDAM

The *ddname* of data set in data set group.

DEDB

The area name or a *ddname* for single area data sets but can only be an area name for multiple area data sets. If the database is registered in DBRC, this parameter should specify the area name.

INdatabase_name

The name of the database that this database area or data set group belongs to.

database_name

The database this data set group belongs to.

Specifies the DBD name of a database whose data sets are to be dynamically allocated. This name is used as a member name in IMS.SDFSRESL to identify this database parameter list. Care should be taken to ensure that this name does not conflict with existing members in IMS.SDFSRESL. This includes, but is not limited to, IMS modules and user-supplied exit routines.

BLOCK PRIMARY**BLOCK SECONDARY**

Is used to specify the blocking factors to be used for data sets in a data set group for HSAM, SHSAM, GSAM, HISAM, SHISAM, and INDEX databases, or is used to specify the block size or control interval size without overhead for the data set in a data set group for HDAM and HIDAM databases.

For HISAM, SHISAM, and INDEX databases that use VSAM as the access method, use the SIZE PRIMARY parameter to specify control interval size in place of the BLOCK PRIMARY or BLOCK SECONDARY parameter. If the SIZE keyword is used for a HISAM, SHISAM, or INDEX database, the BLOCK keyword is invalid.

In cases where the RECORD, BLOCK PRIMARY, and BLOCK SECONDARY operands are used, the resulting control interval size must be a multiple of 512 when the resulting size is less than 8192 bytes. If the product of the record length specified times the blocking factor specified plus VSAM overhead is not a multiple of 512 and is less than 8192 bytes, the resulting control interval size is obtained by rounding the value up to the next higher multiple of 512. Control interval sizes from 8192 to 30720 bytes (maximum allowed size) must be in multiples of 2048 bytes. When the product of the RECORD and BLOCK operands plus VSAM overhead is from 8192 to 30720 bytes but is not a multiple of 2048, the resulting control interval size is obtained by rounding the value up to the next higher multiple of 2048.

The VSAM overhead is 7 bytes if the blocking factor is 1; otherwise, it is 10 bytes. The maximum block size for OSAM data sets is 32 KB.

For HDAM and HIDAM databases, the BLOCK PRIMARY parameter is used to enable you to override the computation of control interval or block size of IMS. However, in addition to the value specified in the BLOCK PRIMARY parameter, IMS adds space for root anchor points, a free space anchor point, and access method overhead. The block or control interval size that results can be determined by referring to the equations in the description of the SIZE PRIMARY parameter or by examining the output of IMS. If the SIZE parameter is not specified and the access method is VSAM, IMS calculates

the best VSAM LRECL value by equally distributing any unused space in the CI to each logical record in the CI. If the SIZE PRIMARY parameter is specified, this is not done.

The following table explains the use of the BLOCK and RECORD operands.

Table 167. BLOCK and RECORD operands

Database type	Use of BLOCK and RECORD operands
HSAM/SHSAM	<p>BLOCK BLOCK PRIMARY applies to input data set and should always be 1. BLOCK SECONDARY applies to output data set and should always be 1.</p> <p>RECORD <i>recordlength1</i> is the input record length. <i>recordlength2</i> is the output record length. HSAM/SHSAM is always unblocked; LRECL and BLKSIZE are equal.</p>
GSAM	<p>BLOCK BLOCK PRIMARY applies to input/output data set. BLOCK SECONDARY is an invalid subparameter.</p> <p>RECORD <i>recordlength1</i> is the size of an LRECL length or maximum size for a variable length record. <i>recordlength2</i> is the minimum size for a variable length record.</p> <p>SIZE SIZE PRIMARY is the BLKSIZE for input/output data set. SIZE SECONDARY is an invalid subparameter.</p>
HISAM/SHISAM	<p>BLOCK BLOCK PRIMARY is the primary data set blocking factor. BLOCK SECONDARY is the overflow data set blocking factor.</p> <p>RECORD <i>recordlength1</i> is the data set logical record length. <i>recordlength2</i> is the overflow data set logical record length.</p>
HIDAM, HDAM	<p>BLOCK size0 is size without overhead of OSAM or VSAM data set group</p> <p>RECORD Is ignored.</p>
DEDB	BLOCK and RECORD operands are invalid.
INDEX	<p>BLOCK BLOCK PRIMARY is the primary data set blocking factor. BLOCK SECONDARY is the overflow data set blocking factor.</p> <p>RECORD <i>recordlength1</i> is the primary data set logical record length. <i>recordlength2</i> is the overflow data set logical record length.</p>

Note: When both *recordlength1* and *recordlength2* are specified in a TABLESPACE statement, *recordlength2* must be equal to or greater than *recordlength1*, except for GSAM.

FORMAT

Specifies the format of the records in the data set. The valid record formats are:

FIXED

Fixed length.

FIXEDBLOCK

Fixed length and blocked

VARIABLE

Variable length.

VARIABLEBLOCK

Variable length and blocked.

UNDEFINED

Undefined length.

This keyword is required and only valid for a GSAM database.

FREEBLOCK

Specifies the free block frequency factor. Every *n*th control interval or block in this data set group is left as free space during database load or reorganization. The valid range is 0-100 except 1. The default is 0.

A smaller value increases the frequency of free space in the database. A value of 2, for example, would mean that after each piece of data there would be a free space block. This causes system performance degradation when running reorganization or load utilities because of the extra processing required for the free space blocks.

FREEBLOCK is equivalent to the IMS keyword `FRSPC=(fbff,)`.

This keyword is optional and only valid for HDAM or HIDAM.

FREESPACE

Specifies the free space percentage factor, which is the minimum percentage of each control interval or block that is to be left as free space in this data set group. The valid range is 0-99. The default is 0.

This keyword is optional and only valid for HDAM or HIDAM.

FREESPACE is equivalent to the IMS keyword `FRSPC=(fspp,)`.

OUTPUT (*ddname*)

Specifies the 1- to 8-character alphanumeric *ddname* of the output data set that is required for an HSAM or SHSAM database and optional for a GSAM database. This output data set is used by IMS when loading the database. This keyword is invalid for other database access types.

OUTPUT is equivalent to the IMS keyword `DD2=`.

OVERFLOW (*ddname*)

Specifies the 1- to 8-character alphanumeric *ddname* of the overflow data set in this data set group. This parameter must be specified for:

- An INDEX database that contains index pointer segments with non-unique keys.
- All data set groups of a HISAM database except when only one segment type is defined in the HISAM database.

The following conditions apply:

- Invalid for a simple HISAM (SHISAM) database.
- Not required for an HISAM database that contains only one segment type.
- Not required for an index DBD because all index segments are inserted in the key sequenced data set of the index.
- Invalid for an INDEX database defined with an `osaccess` type of SHISAM.
- Only valid for HISAM and INDEX database access types.

RECORD(recordlength1,recordlength2)

Specifies the data management logical record lengths to be used for this data set group. This keyword is optional and only valid for HSAM, SHSAM, GSAM, HISAM, SHISAM, INDEX.

SCAN cylinders

Specifies the number of direct-access device cylinders to be scanned when searching for available storage space during segment insertion operations. This parameter is optional and only valid for HIDAM or HDAM databases. If specified, the value must be a decimal integer that does not exceed 255. Typical values are 0 - 5. The default is 3. If 0 is specified, only the current cylinder is scanned for space.

Scanning is performed in both directions from the current cylinder position. If a scan limit value causes scanning to include an area outside of the current extent, IMS adjusts the scan limits so that scanning does not exceed current extent boundaries. If space cannot be found for segment insertion within the cylinder bounds defined by this parameter, space is used at the current end of the data set group for the database.

SEARCHA 0 | 1 | 2

Specifies the type of HD space search algorithm that IMS uses to insert a segment into an HD database.

0

Specifies that IMS chooses which HD space search algorithm to use. 0 is the default.

1

Specifies that IMS uses the HD space search algorithm that does not search for space in the second-most desirable block or CI.

2

Specifies that IMS uses the HD space search algorithm that includes a search for space in the second-most desirable block or CI.

This keyword is optional and only valid for HDAM or HIDAM database.

SIZE PRIMARY size1

For HISAM, SHISAM, INDEX, this keyword specifies control interval or block size of primary data set in a data set group.

For HDAM, HIDAM, this keyword specifies the control interval or block size of the data set in the data set group. For GSAM, this keyword specifies the block size for input/output data set.

For DEDB, this keyword is required and specifies the control interval.

This keyword is invalid for all other database types.

SIZE PRIMARY is equivalent to the IMS keyword SIZE=(size1,).

SIZE SECONDARY size2

For HISAM, SHISAM, INDEX, this keyword specifies control interval or block size of overflow data set.

This keyword is valid only for HISAM, SHISAM, and INDEX.

SIZE SECONDARY is equivalent to the IMS keyword SIZE=(,size2))

ROOT(number1,number2)

Specifies the total space that is allocated to the root addressable part of the area and to the area reserved for independent overflow.

number1

Specifies the total space that is allocated to the root addressable part of the area. It is expressed in UOWs. The rest of the VSAM data set is reserved for sequential dependent data.

The valid range is 2-32767; it cannot be larger than the amount of space in the VSAM data set.

number2

Specifies the space that is reserved for independent overflow in terms of UOWs. It must be at least 1 and must be less than the value specified for *number1*. Although independent overflow does not contain UOWs, the UOW size is used as the unit for space allocation.

The reorganization UOW is automatically allocated by the DEDB Initialization utility. VSAM space definition should include this additional UOW. That is, the total space required is the root addressable area, the independent overflow, and one additional UOW for reorganization. The reorganization UOW is not used by the High-Speed DEDB Direct Reorganization utility, but might be used by other functions of IMS.

The ROOT keyword is required and only valid for DEDB.

UOW(number1,number2)

Required and only valid for DEDB. *number1* specifies the number of control intervals in a unit of work. The valid range is 2-32767. *number2* specifies the number of control intervals in the overflow section. Any value greater than or equal to 1 but at least one less than *number1*.

CLOSE

The CLOSE statement closes a cursor.

Invocation

This statement can be embedded only in a COBOL application program. It is an executable statement that cannot be dynamically prepared.

Syntax

►► CLOSE — *cursor-name* ►►

Description

The following keyword parameters are defined for the CLOSE statement:

cursor-name

Identifies the cursor to be closed. The cursor name must identify a declared cursor as explained in [“DECLARE CURSOR” on page 743](#).

Example

A cursor C1 is used to fetch one row at a time into the application program variables HOSPCODE, HOSPNAME, WARDNAME, and PATNAME. Finally, the cursor is closed. If the cursor is reopened, it is again located at the beginning of the rows to be fetched.

```
EXEC SQLIMS
  DECLARE C1 CURSOR FOR DYSQL
END-EXEC.

EXEC SQLIMS
  PREPARE DYSQL FROM :SELECT-STATEMENT
END-EXEC

EXEC SQLIMS OPEN C1 END-EXEC.

EXEC SQLIMS
  FETCH C1 INTO :HOSPCODE, :HOSPNAME, :WARDNAME, :PATNAME
END-EXEC.

IF SQLIMSCODE = 100
PERFORM DATA-NOT-FOUND
ELSE
PERFORM GET-REST-OF-HOSP
UNTIL SQLIMSCODE IS NOT EQUAL TO ZERO.

EXEC SQLIMS CLOSE C1 END-EXEC.
```

COMMENT ON

The COMMENT ON statement adds a comment to the definition of a resource or object in the IMS catalog. You can alter a comment by reissuing the COMMENT ON statement.

Invocation

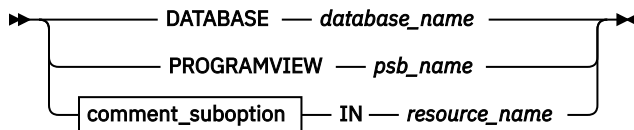
This statement can be submitted from a Java application program with an establish connection to IMS through the IMS Universal JDBC drivers. It is an executable statement that cannot be dynamically prepared.

- [“COMMENT ON syntax” on page 654](#)
- [“comment_option syntax” on page 654](#)
- [“comment_suboption syntax” on page 654](#)

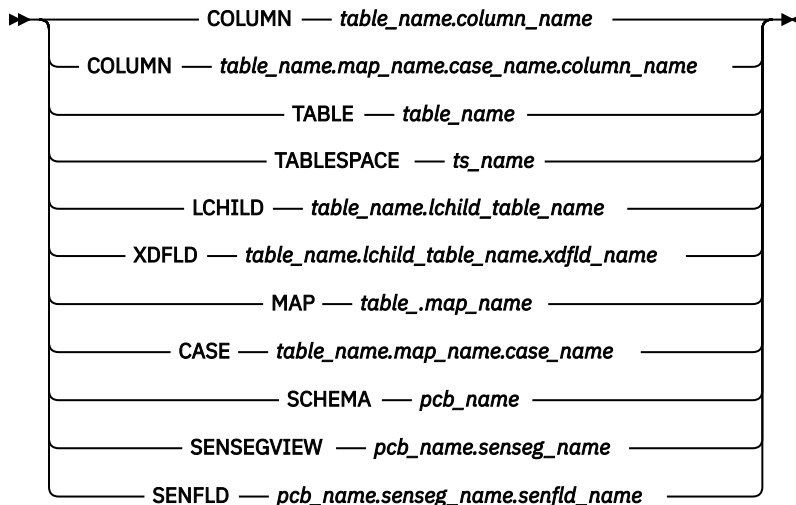
COMMENT ON syntax

➤ COMMENT — ON — comment_option — IS — *string_constant* ➤

comment_option syntax



comment_suboption syntax



Description

The following keyword parameters are defined for the COMMENT ON statement:

IS *string_constant*

Optional user comments. A 1 to 256 character string enclosed in single quotation marks. The value cannot contain the following characters:

- Single quotation marks, except when they are used to enclose the full comment string. The following examples show correct and incorrect usages of single quotation marks:

```
CORRECT
IS 'These remarks apply to the XYZ application'
```

```
INCORRECT
IS 'These remarks apply to the 'XYZ' application'
```

- Double quotation marks
- Less than (<) symbols
- Greater than (>) symbols
- Ampersands (&)

IN *resource_name*

Specifies the resource that the comment applies to. The resource can be a database (DBD) or a program view (PSB). The name can be from 1 to 8 alphanumeric characters.

Omit the IN *resource_name* keyword for the following:

- COMMENT ON DATABASE *database_name*
- COMMENT ON PROGRAMVIEW *psb_name*

DATABASE *database_name*

Identifies the database. The name can be from 1 to 8 alphanumeric characters. Database resource must be previously defined.

PROGRAMVIEW *psb_name*

Identifies the PROGRAMVIEW or PSB. The name can be from 1 to 8 alphanumeric characters. PROGRAMVIEW must be previously defined.

COLUMN *table_name.column_name*

Identifies the column and table the column belongs to. The names can be from 1 to 128 alphanumeric characters. Column and table must be previously defined.

COLUMN *table_name.map_name.case_name.column_name*

Identifies the alternative column mapping and map case the column belongs to. The names can be from 1 to 128 alphanumeric characters. The table, map, case, and column must be previously defined.

TABLE *table_name*

Identifies the table. The name can be from 1 to 128 alphanumeric characters. Table must be previously defined.

TABLESPACE *ts_name*

Identifies the TABLESPACE. The name can be from 1 to 8 alphanumeric characters. TABLESPACE must be previously defined.

LCHILD *table_name.lchild_table_name*

Identifies the logical child table name specified on a LCHILD statement. The name can be from 1 to 128 alphanumeric characters. LCHILD table name and the table it belongs to must be previously defined.

XDFLD *table_name.child_table_name.xdfld_name*

Identifies the indexed data field specified on a XDFLD statement. The name can be from 1 to 26 alphanumeric characters. XDFLD name and the table it belongs to must be previously defined.

MAP *table_name.map_name*

Identifies the map. The name can be from 1 to 128 alphanumeric characters. The map and table names must be previously defined.

CASE *table_name.map_name.case_name*

Identifies the case. The name can be from 1 to 128 alphanumeric characters. The case, map, and table names must be previously defined.

SCHEMA *pcb_name*

Identifies the PCB. The name can be from 1 to 8 alphanumeric characters. The PCB name must be previously defined.

SENSEVIEW *pcb_name.senseg_name*

Identifies the SENSEG. The name can be from 1 to 8 alphanumeric characters. The SENSEG and PCB names must be previously defined.

SENFLD *pcb_name.senseg_name.senfld_name*

Identifies the SENFLD. The name can be from 1 to 8 alphanumeric characters. The SENFLD, SENSEG, and PCB names must be previously defined.

Usage notes

Text that is submitted with this statement is stored in a REMARKS segment in the IMS catalog definition for the resource. The REMARKS segment that pertains to a resource or object is a direct child of that resource or object in the catalog.

Example

Example for specifying a comment on the database:

```
COMMENT ON DATABASE dhvntz02 IS 'This describes database DHVNTZ02.'
```

Example for specifying a comment on a table:

```
COMMENT ON TABLE root IN dhvntz02 IS 'This describes the root table.'
```

Example for specifying a comment on a tablespace:

```
COMMENT ON TABLESPACE hidam IN dhvntz02 IS 'Dataset Group 1'
```

CREATE DATABASE

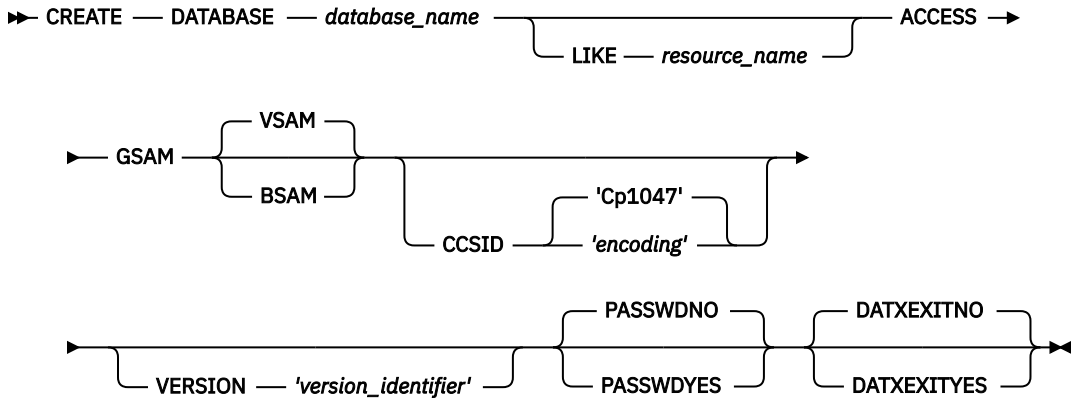
The CREATE DATABASE statement defines a new database to IMS.

Invocation

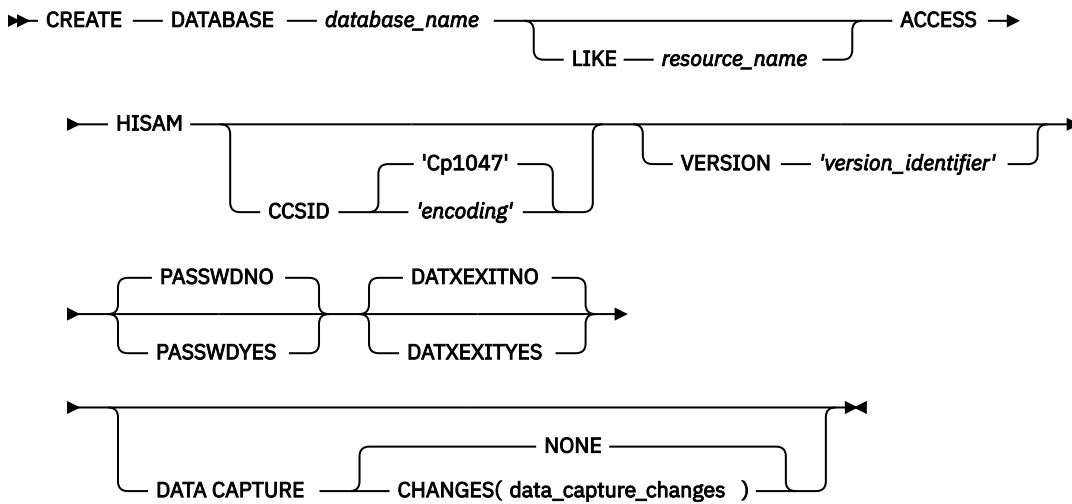
This statement can be submitted from a Java application program with an establish connection to IMS through the IMS Universal JDBC drivers. It is an executable statement that cannot be dynamically prepared.

- [“PHIDAM syntax” on page 657](#)
- [“HDAM syntax” on page 657](#)
- [“HIDAM syntax” on page 658](#)
- [“PHDAM syntax” on page 658](#)
- [“GSAM syntax” on page 659](#)
- [“HISAM syntax” on page 659](#)
- [“SHISAM syntax” on page 659](#)
- [“DEDB syntax” on page 660](#)
- [“HSAM syntax” on page 660](#)
- [“SHSAM syntax” on page 660](#)
- [“LOGICAL syntax” on page 661](#)
- [“INDEX syntax” on page 661](#)
- [“PSINDEX syntax” on page 661](#)
- [“data capture changes syntax” on page 662](#)
- [“exit_attributes syntax” on page 662](#)

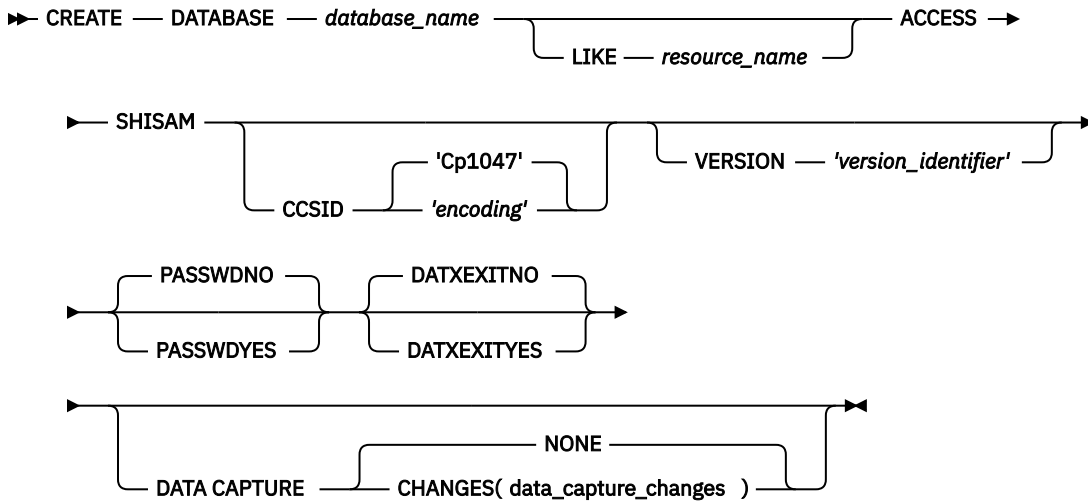
GSAM syntax



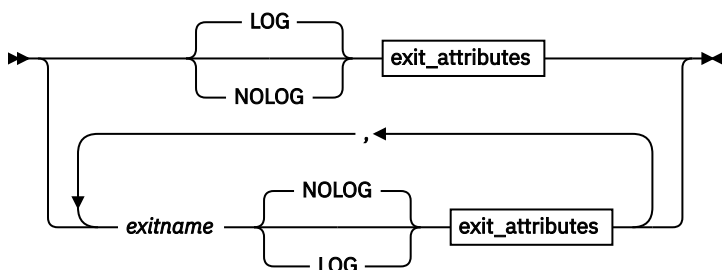
HISAM syntax



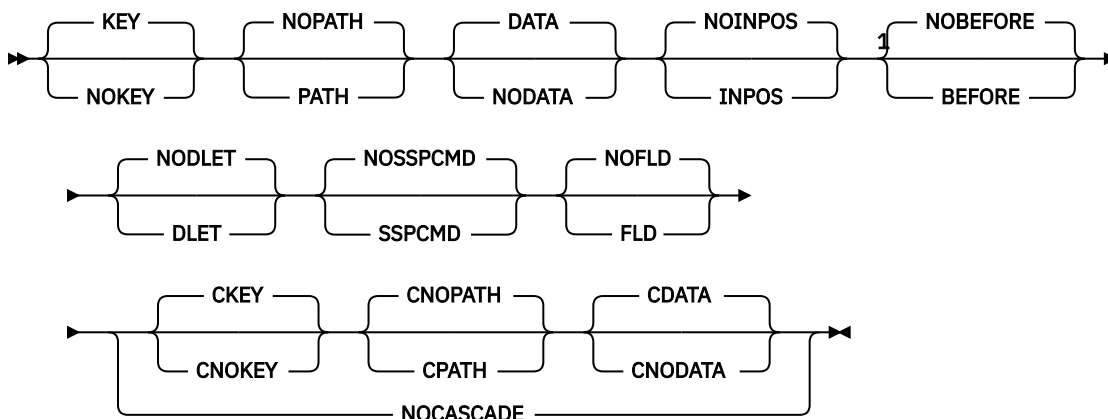
SHISAM syntax



data capture changes syntax



exit_attributes syntax



Notes:

¹ BEFORE, NOBEFORE, DLET, NODLET, SSPCMD, NOSSPCMD, FLD, and NOFLD are for DEDB only.

Description

The following keyword parameters are defined for the CREATE DATABASE statement:

database_name

Specifies the name of the database being described. The name can be from 1 to 8 alphanumeric characters. Do not give a database the same name as an existing database or program view.

If a resource already exists with the database name, a -9002 error message is returned.

ACCESS

Specifies the DL/I access method and the operating system access method to be used for this database. This keyword also defines the secondary index database as a HALDB. The different access methods are:

HSAM

Hierarchical sequential access method (HSAM). When HSAM is specified, and only one segment type is defined in the HSAM database, this parameter defaults to SHSAM.

SHSAM

Simple HSAM database that contains only one fixed-length segment type. When a simple HSAM database is defined, no prefix is required in occurrences of the segment type to enable IMS to process the database.

GSAM

Generalized sequential access method (GSAM). BSAM or VSAM can be specified as the operating system access method. VSAM is the default. When GSAM is specified, physical segments are not allowed in the DBD.

HISAM

Hierarchical index sequential access method (HISAM). IMS creates a HISAM database with a VSAM operating system access method.

SHISAM

Simple HISAM database that contains only one fixed-length segment type. IMS creates a SHISAM database with a VSAM operating system access method. When a simple HISAM database is defined, no prefix is required in occurrences of the segment type to enable IMS to process the database.

HDAM

Hierarchical direct access method (HDAM). OSAM or VSAM can be specified as the operating system access method. OSAM is the default.

PHDAM

Partitioned hierarchical direct access method (PHDAM). OSAM or VSAM can be specified as the operating system access method. OSAM is the default.

HIDAM

Hierarchical indexed direct access method (HIDAM). OSAM or VSAM can be specified as the operating system access method. OSAM is the default.

PHIDAM

Partitioned hierarchical indexed direct access method (PHIDAM) is the default access method. OSAM or VSAM can be specified as the operating system access method. OSAM is the default.

DEDB

Data entry database (DEDB).

INDEX

Creates the primary index to occurrences of the root segment type in a HIDAM database, or creates a secondary index to a segment type in a HISAM, HDAM, or HIDAM database. For the primary or secondary index to a HIDAM database, VSAM must be specified as the operating system access method.

The INDEX parameter is also used to create a secondary index for a DEDB database. In such a case, VSAM and SHISAM are both valid operating system access types.

The INDEX parameter is not used to define the primary index of a PHIDAM database.

PSINDEX

Creates the partitioned secondary index to a segment type in PHDAM and PHIDAM databases. A PSINDEX is created with a VSAM operating system access method.

LOGICAL

A logical database comprises logical concatenations of some or all of one or more physical databases. Logical databases must reference existing physical databases.

CCSID 'encoding'

An optional 1- to 25-character field that specifies the default encoding of all character data in this database.

The default code page is Cp1047, which specifies EBCDIC encoding.

This value cannot contain the following characters:

- Single or double quotation marks
- Blanks
- Less than (<) and greater than (>) symbols
- Ampersands (&)

This value can be overridden in individual tables or columns.

DATA CAPTURE

When DATA CAPTURE is specified on the CREATE DATABASE statement, these options apply to all tables within the physical database. If you specify this parameter in the CREATE or ALTER TABLE statement, it overrides the specification for this statement.

The following physical databases support DATA CAPTURE:

- HISAM
- SHISAM
- HDAM
- PHDAM
- HIDAM
- PHIDAM
- DEDB

NONE

Indicates no data capture options.

CHANGES

You can specify any number of exit routines, each with its own set of change options. If you do not provide an exit routine, they can only specify 1 set of change options for logging. This method is equivalent to specifying an asterisk (*) in place of an exit routine name on the EXIT= parameter in a DBD macro statement. Each set is separated by a comma. NOCASCADE is mutually exclusive with any combination of the C* (for example, CKEY) options.

The following options are valid for DATA CAPTURE CHANGES:

NOBEFORE | BEFORE

Before data is included in X'99' log records for REPL calls. NOBEFORE is the default. This attribute is valid only for DEDB.

CDATA | CNODATA

Passes segment data to the exit routine for a cascade delete. CDATA also identifies the segment being deleted when the physical concatenated key is unable to do so. This attribute is mutually exclusive with NOCASCADE.

CKEY | CNOKEY

Passes the physical concatenated key to the exit. This key identifies the segment being deleted by a cascade delete. This attribute is mutually exclusive with NOCASCADE.

CNOPATH | CPATH

Indicates the exit routine does not require segment data in the physical root's hierarchical path. Use CNODATA to eliminate the substantial amount of path data needed for a cascade delete. This attribute is mutually exclusive with NOCASCADE.

DATA | NODATA

DATA specifies that the physical table data is passed to the exit routine for updating. When DATA is specified and an EDITPROC exit routine is also used on a table, the data passed is expanded data. DATA is the default.

NODLET | DLET

X'99' log records are written for DLET calls. NODLET is the default. This attribute is valid only for DEDB.

exitname

Specifies the name of the exit routine that processes the data. The name must match the name of a Data Capture exit routine as defined by the user to IMS. A maximum of 8 alphanumeric characters is allowed.

KEY | NOKEY

KEY specifies the exit routine is passed the physical concatenated key. This key identifies the physical table updated by the application. KEY is the default.

NOCASCADE

Indicates the exit routine is not called when DL/I deletes this segment. Cascade delete is not necessary when a segment without dependents is deleted.

NOFLD | FLD

The FLD option requests that updates made by a DEDB FLD call be captured. This option is valid only for a DEDB, and this information is logged only in the X'9904' log records if the option log is specified. This information is not passed to the data capture exit. This attribute is valid only for DEDB.

NOINPOS | INPOS

The INPOS option requests that twin data be passed when an ISRT is done for an unkeyed or non-unique keyed segment when an insert rule of HERE is used and the F or L command code is not used. The twin data IMS is positioned on at the time before the ISRT will be captured.

NOLOG | LOG

The LOG option requests that the data capture control blocks and data be written to the IMS system log.

For more information, see [Asynchronous data propagation \(System Programming APIs\)](#).

NOPATH | PATH

NOPATH indicates the exit routine does not require data from tables in the physical root's hierarchical path. NOPATH is an efficient way to avoid the processing time needed to retrieve path data. NOPATH is the default.

PATH can be specified when the data from each segment in the physical root's hierarchical path must be passed to the exit routine for an updated segment. Use PATH to allow an application to separately access several segments for insertion, replacement, or deletion.

You can use the PATH option when information from tables in the path is needed to compose the DB2® for z/OS primary key. The DB2 for z/OS primary key would then be used in a propagation request for a dependent table update. Typically, you need this kind of table information when the parent contains the key information and the dependent contains additional data that would not fit in the parent table.

You can also use PATH when additional processing is necessary. It could be that you are not accessing several tables with one call; for example, you did not invoke the D command code. In this case, additional processing is necessary if the application is to access each table with a separate call.

NOSSPCMD | SSPCMD

The SSPCMD option requests that DEDB subset pointer command codes are captured. This option is valid for DEDBs only.

DATXEXITNO | DATXEXITYES

Allows the Data Conversion user exit routine (DFSDBUX1) to be used by an application while it is processing this database. The default is DATXEXITNO.

If DATXEXITYES is specified, the user exit DFSDBUX1 is called at the beginning and at the end of each database call. If DFSDBUX1 is not loaded, IMODULE is called to load it.

If DATXEXITNO is specified, the DFSDBUX1 user exit routine can be called, provided DFSDBUX1 is located in the SDFSRESL. If DFSDBUX1 does not need to be called again for the database definition, X'FF' is returned in the SRCHFLAG field in the JCB, and DFSDLA00 dynamically marks the database definition as not requiring the exit. In this case, the user exit is not called again for that database definition for the duration of the IMS session, unless the DMB is purged from the DMB pool.

DOSCOMPNO | DOSCOMPYES

Indicates if this is a DLI/DOS index database. Must be specified if the database is an index, and it was created using DLI/DOS. DLI/DOS index databases contain a segment code as part of the prefix. Specifying that a database is a DLI/DOS index database causes IMS to expect this code to be present in the defined database, and to process in a way that preserves this code. This includes providing a

segment code for new segments being inserted. DLI/DOS databases must use VSAM and cannot be PHDAM, PHIDAM, or PSINDEX databases.

FPINDEXNO | FPINDEXYES

Specifies whether an index database is a secondary index for a primary Fast Path DEDB database. By default, an index database is not a secondary index.

LIKE *resource_name*

Specifies the name of a model resource to base the new resource on.

PASSWDNO | PASSWDYES

Specifying PASSWDYES causes DL/I to use the database name as the VSAM password when opening any data set for this database. This parameter is only valid for databases that use VSAM as the access method. You cannot use the database name as the password for the LOGICAL or DEDB database types. When the user defines the VSAM data sets for this database using the DEFINE statement of z/OS Access Method Services, the control level (CONTROLPW) or master level (MASTERPW) password must be the same as the DBDNAME for this DBD. All data sets associated with this DBD must use the same password.

For the IMS DB/DC system, all VSAM OPENS bypass password checking and thus avoid operator password prompting. For the IMS DB system, VSAM password checking is performed. In the batch environment, operator password prompting occurs if automatic password protection is not specified, and the data set is password protected at the control level (CONTROLPW) with passwords not equal to the database name.

Specifying PASSWDNO indicates that the database name should not be used as the VSAM password. This is the default behavior.

PROTYES | PROTNO

Specifies if a secondary index database uses index pointer protection. This optional parameter ensures the integrity of all fields in index pointer segments that are used by IMS. Use of this parameter prevents an application program from doing a replace operation on any field within an index pointer segment except for fields within the user data portion of index pointer segments. Delete operations are still enabled for index pointer segments. If a delete is issued for an index pointer segment, the index target segment pointer in the index pointer segment is deleted. However, the index source segment that caused the index pointer segment to be created originally is not deleted.

If index pointer protection is not used, an application program can replace all fields within an index pointer segment except the constant, search, and subsequence fields. Inserts to an index database are invalid under all conditions.

By default, a secondary index database uses index pointer protection.

PSNAME *psname*

Specifies the module that selects the HALDB partition for PSINDEX, PHDAM, or PHIDAM databases. The parameter is a HALDB partition selection exit routine module name. This parameter is only valid when the access type for the database is PSINDEX, PHDAM, or PHIDAM.

Exception: A user-provided HALDB partition selection routine is not needed if root key ranges define HALDB partition membership.

RMNAME *mod*

Specifies a module name that is used to manage the data that is stored in a DEDB or in the primary data set group of an HDAM or PHDAM database. This parameter is only valid when the database access type is HDAM, PHDAM, or DEDB. A randomizing module controls root segment placement in or retrieval from the DEDB, HDAM, or PHDAM database. One or more modules, called randomizing modules, can be utilized within the IMS system. A particular database has only one randomizing module associated with it. A generalized module, which uses user-supplied parameters to perform randomizing for a particular database, can be written to service several databases. The purpose of a randomizing module is to convert a value supplied by an application program for root segment placement in, or retrieval from, a DEDB, HDAM, or PHDAM database into a relative block number and anchor point number. You can randomize within an area by selecting a two-stage randomizer.

When you select a two-stage randomizer, the number of root anchor points in an area can be changed without having to stop all areas in the DEDB with the **/DBRECOVERY** command.

For PHDAM databases, the randomizer module names and values become the default for each partition. You can set a different randomizer name and values for each partition during HALDB partition definition. HALDB partition selection is done prior to invoking the randomizing module. The randomizing module selects locations only within a partition.

The module name is the 1- to 8-character alphanumeric name of a user-supplied randomizing module that is used to store and access segments in this DEDB, PHDAM, or HDAM database. Select a two-stage randomizer by specifying the randomizer name in the module name parameter and 2 in the anchor point parameter.

RMANCH *anch*

The purpose of the *anch* value is different depending on whether you are defining a Fast Path DEDB database or a full-function HDAM or PHDAM database.

This parameter must be an unsigned decimal integer. The default value of this parameter is one.

For a DEDB database, the value of *anch* specifies the type of randomizer. A value of 1 indicates a single-stage randomizer. A value of 2 indicates a two-stage randomizer. Any other value is invalid.

For HDAM and PHDAM databases, the value of *anch* specifies the number of root anchor points desired in each control interval or block in the root addressable area of the HDAM or PHDAM database. Typical values are from 1 to 5 and the value cannot exceed 255.

When accessing a HDAM or PHDAM database, if a user randomizing routine produces an anchor point number greater than the number specified for this parameter, the highest-numbered anchor point in the control interval or block is used. When a randomizing routine produces an IMS anchor point number of zero, IMS uses anchor point one in the control interval or block.

MRBN *rbn*

Specifies the maximum relative block number value that you want to allow a randomizing module to produce for this database. This parameter is for HDAM or PHDAM databases only. This value determines the number of control intervals or blocks in the root addressable area of an HDAM or PHDAM database. This parameter must be an unsigned decimal integer whose value does not exceed $2^{24}-1$. If this parameter is omitted, no upper limit check is performed on the relative block number created by the randomizing module. If this parameter is specified, but the specified randomizing module produces an relative block number greater than this parameter, the highest control interval or block in the root addressable area is used by IMS. If a user randomizing module produces a block number of zero, the control interval or block one is used by IMS.

In an HDAM or PHDAM data set, the first bit map is in the first block of the first extent of the data set. In an HDAM or PHDAM database, the first control interval or block of the first extent of the data set specified for each data set group is used for a bit map. In a VSAM data set, the second control interval is used for the bit map and the first control interval is reserved. IMS adds one to the block calculated by the randomizer.

RMBYTES *bytes*

Specifies the maximum number of bytes of database record that can be stored into the root addressable area in a series of inserts unbroken by a call to another database record. This parameter is for HDAM and PHDAM databases only. If this parameter is omitted, no limit is placed on the maximum number of bytes of a database record that can be inserted into this database's root segment addressable area. The bytes parameter must be an unsigned decimal integer whose value does not exceed $2^{24}-1$. When the maximum relative block number parameter is omitted, this parameter is ignored. In this case, there is no limit on the number of bytes of a database record that can be inserted into the root addressable area.

If this parameter is specified for an HDAM or PHDAM database and the length of the database record is larger, the remainder of the record is inserted into the overflow area following the current end-of-file (EOF). This operation requires that enough space be available after the current EOF to contain the remainder of all database records that exceed the value of this parameter. If sufficient space is not

available in the overflow area following the current EOF, the database records are inserted randomly in the database.

XCINO | XCIYES

Specifies whether this DEDB uses the Extended Call Interface when making calls to the randomizer. This option allows the randomizer to be called in three different ways. On initialization of IMS or during a **/START DB** command, IMS will first load the randomizer and then make an INIT call to the randomizer to invoke its initialization routines. During a **/DBR DB** command, IMS will make a TERM call to the randomizer to invoke the termination routines before unloading the randomizer. The normal randomizing call to the randomizer is made when the application issues a GU or ISRT call on a root segment. The XCI option is only valid for DEDBs.

VERSION 'version_identifier'

Specifies an identification string. You can use this as a comment descriptor for your database changes.

Usage notes

Defining a database with the default options (with a CREATE DATABASE database_name statement and no other parameters) creates a PHIDAM database with the OSAM dataset access type. You can also explicitly specify that a PHIDAM database uses either the VSAM or OSAM dataset access type by including either keyword in the CREATE statement: CREATE DATABASE database_name ACCESS PHIDAM OSAM or CREATE DATABASE database_name ACCESS PHIDAM VSAM

Notes on data versioning

On a CREATE DATABASE statement, the database version number (DBVER) is always 0. CREATE defines a new database to IMS, and 0 is always the base version. All CREATE and ALTER statements under the same DDL stream (before an activate command) will work with version 0.

All dummy PSBs that are automatically generated will by default refer to the current version which is version 0. You can optionally issue CREATE SENSEGVIEW to create PSBs manually, and specify “DBVER 0” on the PCBs to lock them at version 0. You cannot specify higher version numbers because only version 0 will exist in this stream. You can also optionally specify a “DBLEVEL CURR | BASE” setting. Be aware that if a PSB that references version 0 is activated, but database versioning is not enabled, IMS rejects application call from that PSB.

Example: Full Function Database

The following input can be used to specify DATA CAPTURE CHANGES keywords without a data capture exit. This indicates to IMS that the user only wants logging.

DBD source equivalent:

```
DBD    NAME=DHVNTZ02, ACCESS=(PHIDAM, OSAM),           X
      EXIT=((*, KEY, DATA, NOPATH, (CASCADE, KEY, DATA, NOPATH), X
      LOG))
```

DDL equivalent:

```
CREATE DATABASE DHVNTZ02
  DATA CAPTURE CHANGES(
    LOG KEY DATA NOPATH CKEY CDATA CNOPATH
  )
```

The following input can be used to specifying DATA CAPTURE CHANGES keywords with multiple data capture exit.

DBD source equivalent:

```
DBD    NAME=DHVNTZ02, ACCESS=(PHIDAM, OSAM),           X
      EXIT=((EXIT1A, (CASCADE, KEY, DATA, PATH),       X
      KEY, DATA, PATH, NOLOG),                         X
      (EXIT1B, NOKEY, NOPATH, NOLOG, (CASCADE, NOKEY, DATA, NOPATH)), X
      (EXIT1C, (CASCADE, NOKEY, NODATA, NOPATH),       X
```



```

NOKEY, DATA, PATH, NOLOG),
(EXIT1D, KEY, NODATA, PATH, NOLOG,
(CASCADE, NOKEY, NODATA, PATH)))

```

X
X

DDL equivalent:

```

CREATE DATABASE DHVNTZ02
DATA CAPTURE CHANGES(
EXIT1A NOLOG KEY DATA PATH CKEY CDATE CPATH,
EXIT1B NOLOG NOKEY NOPATH CNOKEY CDATE CNOPATH,
EXIT1C NOLOG NOKEY DATA PATH CNOKEY CNODATA CNOPATH,
EXIT1D NOLOG KEY NODATA PATH CNOKEY CNODATA CPATH
)

```

The following input to the DBD generation utility creates a basic full function database:

```

DBD   NAME=COGDBD,
      ENCODING=Cp1047,
      ACCESS=(HDAM, OSAM),
      RMNAME=(DFSHDC40, 3, 3, 25),
      PASSWD=NO,
      VERSION='Latest version of COGDBD'

```

C
C
C
C
C

The same database can be created with the following CREATE DATABASE statement:

```

CREATE DATABASE COGDBD
ACCESS HDAM OSAM
RMNAME(DFSHDC40 RMANCH 3 RMRBN 3 RMBYTES 25)
VERSION 'Latest version of COGDBD'
CCSID 'Cp1047';

```

Example: Fast Path Data Entry Database (DEDB)

Similarly to the previous example, the following input can be submitted to the DBD generation utility to create a DEDB:

```

DBD   NAME=HOSPDBD1,
      ENCODING=Cp1047,
      ACCESS=(DEDB),
      RMNAME=(RMOD3, 1, , , XCI)
      PASSWD=NO

```

C
C
C
C

An equivalent database can be created with the CREATE DATABASE statement:

```

CREATE DATABASE HOSPDBD1
ACCESS DEDB
RMNAME( RMOD3 RMANCH 1 XCIYES)
CCSID 'Cp1047';

```

CREATE PROGRAMVIEW

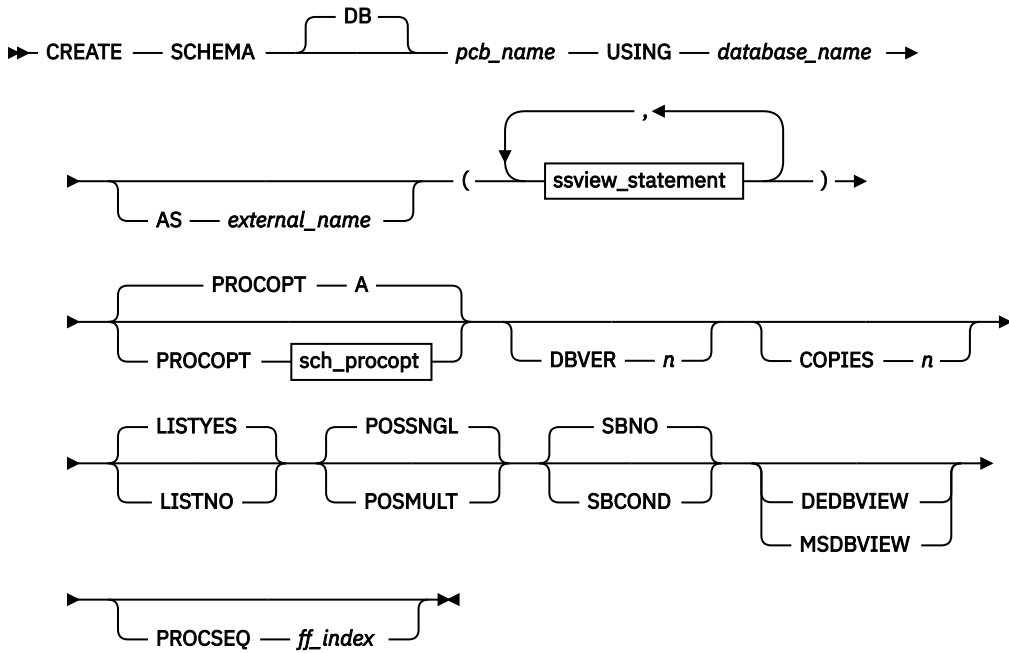
Before running an application program under IMS, an application PROGRAMVIEW must be created to describe how the program can use logical terminals and logical data structures. A PROGRAMVIEW is known as a program specification block (PSB) to IMS. The CREATE PROGRAMVIEW statement creates a PSB, which is an IMS specific resource.

Invocation

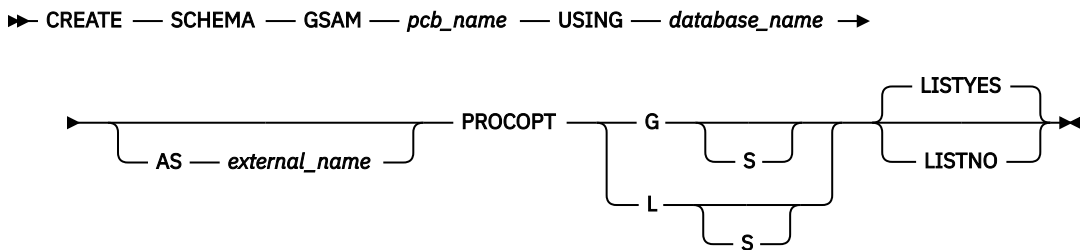
This statement can be submitted from a Java application program with an establish connection to IMS through the IMS JDBC drivers. It is an executable statement that cannot be dynamically prepared. CREATE SENSEGVIEW and CREATE SCHEMA statements are required for the CREATE PROGRAMVIEW statement.

- [“CREATE PROGRAMVIEW syntax” on page 670](#)
- [“alternate_schema_statement syntax” on page 670](#)
- [“DB_schema_statement syntax” on page 671](#)

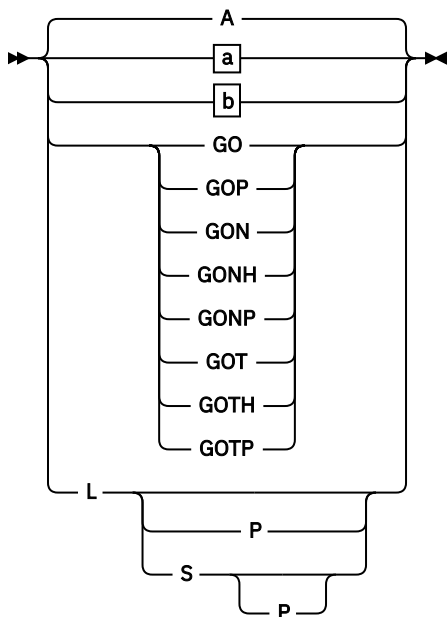
DB_schema_statement syntax



GSAM_schema_statement syntax



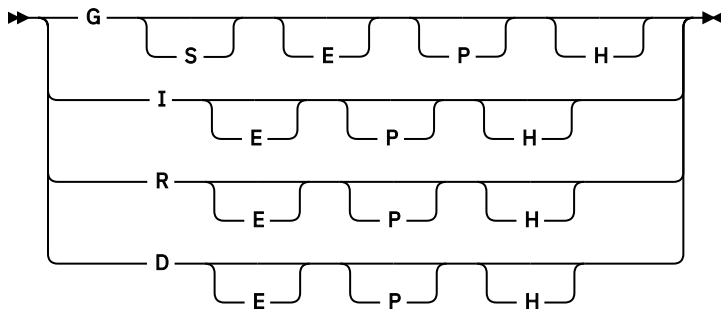
sch_procopt syntax



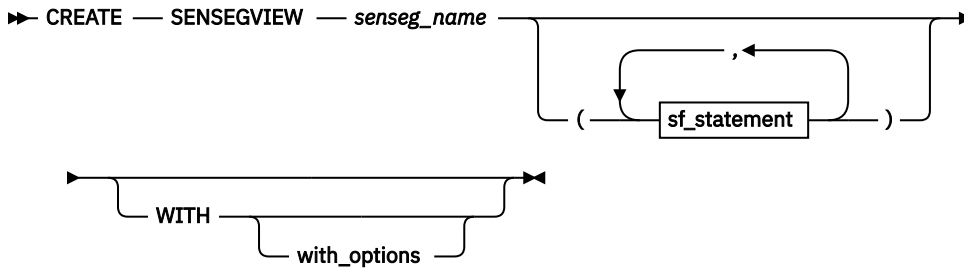
a



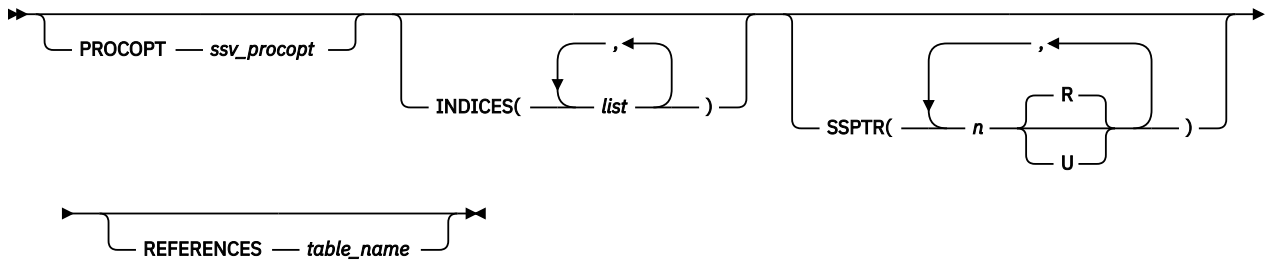
b



ssview_statement syntax



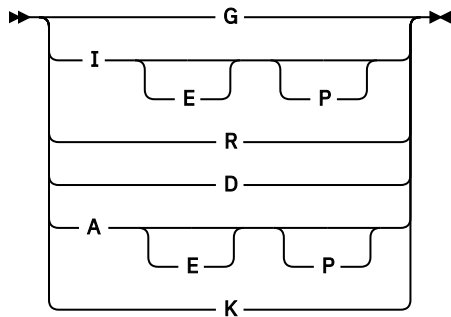
with_options



sf_statement syntax



ssv_procopt syntax



Keyword parameters for CREATE PROGRAMVIEW

The following keywords parameters can be specified in the CREATE PROGRAMVIEW statement:

psb_name

Specifies the name of the program view. A program view is equivalent to a PSB in IMS. The name must not be the same as that of a database or PSB that exists in the catalog.

DBLEVELCURR | DBLEVELBASE

When database versioning is enabled, specifies the version of the database definition that is used to return data to application programs that do not request a specific database version. For all application programs that use this program specification, the value that is specified here overrides the system default for the DBLEVEL parameter that is specified in the DFSDFXxx member of the IMS.PROCLIB data set.

DBLEVELCURR specifies that applications receive data according to the latest version of the database definition.

DBLEVELBASE specifies that applications receive data according to version 0 of the database definition.

Regardless of the default version of the database specification that is used, applications can request to use a specific version of the database specification when the program is scheduled.

CMPATNO | CMPATYES

Provides compatibility between BMP or MSG and Batch-DL/I parameter lists. If set to YES, this PSB is always treated as if there were an I/O PCB, no matter how it is used. If set to NO, the PSB has an I/O PCB added only for BMP or MSG regions. The default is NO.

GSROLBOKNO | GSROLBOKYES

Controls whether an internal ROLB call should be done to roll back non-GSAM database updates when:

- The application is a non-message-driven BMP.
- The PSB contains a PCB for a GSAM database.
- Db2 for z/OS reports a deadlock either on a thread create or on an SQL call.

YES means that the internal ROLB call is done and that the SQL code regarding the deadlock is returned to the application program. NO means that a user abend 777 occurs instead of the ROLB call. The default is NO.

OLICNO | OLICYES

Indicates whether the user of this PSB is authorized to execute the Online Database Image Copy utility or the Surveyor utility feature that runs as a BMP against a database named in this PSB. YES allows the Online Image Copy and the Surveyor utility feature; NO prohibits the Online Image Copy and the Surveyor utility feature. NO is the default. This parameter is invalid if any database PCB (a PCB with DB specified for the TYPE parameter) in the PSB specifies the L or LS processing options.

Exception: This parameter is not applicable to CICS, GSAM, HSAM, MSDB, or DEDB databases.

LOCKMAX *n*

Indicates the maximum number of locks an application program can get at one time. *n* is a numeric value 0 - 255. *n* is specified in units of 1000. For example, a specification of LOCKMAX=5 indicates a maximum of 5000 locks at one time.

The default value is 0, which indicates that there is no maximum number of locks that are allowed at one time.

If an application program runs for an extended time without committing, the locking done by IMS of database records and changes can accumulate. You can use the LOCKMAX parameter to prevent a single application program from consuming all locking storage and causing other programs to abend.

You can override the LOCKMAX value that is specified at program execution by specifying LOCKMAX=0 (to turn off limit completely) or by specifying LOCKMAX=1 to 32767 on the dependent region (BMP, MPP, or IFP) or Batch (DBB or DLI). The value is in units of 1000. You can use this method to exceed the maximum value of 255 that can be specified on the LOCKMAX parameter.

IOASIZE *n*

Specifies the size (in bytes) of the largest I/O area used by the application program. The size specification is used to determine the amount of main storage reserved in the PSB pool to hold the control region copy of the user I/O area data during scheduling of this application program. If you do not specify this value, the IMS calculates a maximum default I/O area size. The default size is the total length of all of the sensitive segments in the longest possible path call. (The total length of the segment must be used, even if the application program is not sensitive to all fields in a segment.) The value specified is in bytes, with a maximum of 256000. However, the combined length of all concatenated segments to be returned to the application on a single path call must not exceed 65535 bytes.

If the PSB contains any field-sensitive segments, and IOASIZE is specified, the specified value is used only if it is larger than the IOASIZE calculated by the ACBGEN utility. The value of the IOASIZE that will be used is indicated. The major components of this pool requirement are IOASIZE and SSASIZE.

If STAT calls or the test program (DFSDDLTO) are used with this PSB, IOASIZE must be greater than 600 bytes.

If CMD or GCMD calls (from automated operator interface application programs) are used with this PSB, IOASIZE must be at least 132 bytes.

If extended checkpoint/restart is used, IOASIZE must be set to a value equal to or greater than the larger of the following:

- I/O area needed to receive data from a GU call issued during restart, while repositioning DL/I databases that have a previous checkpoint (if this PSB contains any).
- Largest LRECL used in a GSAM data set that has a previous checkpoint.

Either the value pointed to by the third parameter (I/O AREA LEN) of the XRST CALL or the value of this parameter will be used, depending on which value is larger.

MAXQ *n*

Is the maximum number of database calls with Qx command codes that can be issued between synchronization points. The maximum number is 32,767. The default value is zero.

SSASIZE *n*

Specifies the maximum total length of all SSAs used by the application program. IMS uses the size specification to determine the amount of main storage that is reserved in the PSB work pool to hold a copy of the user's SSA strings during execution of this application program. If you do not specify this value, IMS calculates a maximum SSA size to be used as a default. The size that is calculated is the maximum number of levels in any PCB within this PSB multiplied by 280. The value that is specified is in bytes, with a maximum of 256000.

Restriction: When you run IMS under CICS without DBCTL, the PSB work pool requirement cannot exceed 64 KB.

The major components of this pool requirement are IOASIZE and SSASIZE.

Important: For Fast Path secondary index calls, an SSASIZE workarea holds the converted SSAs that accommodate the additional storage from SUBSEQ fields and number of qualifications. When a DL/I call is initiated, the converted SSAs are passed into the full-function database.

The default SSASIZE is specified as the default SSA size defined during ACBGEN plus 840 bytes.

If you specify an SSASIZE or if you use the default and the SSASIZE is not large enough, an AU status code is issued. To correct this problem, specify a larger SSASIZE in the PSB and rerun PSBGEN and ACBGEN to resolve the problem.

LANGASSEM | LANGCOBOL | LANGPLI | LANGPASCAL | LANGJAVA

An optional keyword that indicates the compiler language in which the message processing or batch processing program is written. If you specify OLICYES, LANGPLI is invalid. If your application program is written in C language, specify LANGASSEM.

CICS and the Language Environment for z/OS do not support LANGPASCAL.

You must specify LANGJAVA if the application is using the Java class libraries for IMS in a JMP region.

If you are using IMS PL/I applications that run in a compatibility mode using the PLICALLA entry point, you must specify LANGPLI.

IOEROPN *n*

Is applicable only in batch-type regions (DLI or DBB). This parameter is not valid for CICS. The *n* subparameter is the condition code returned to the operating system when IMS terminates normally and one or more input or output errors occurred on any database during the application program execution. The *n* subparameter is a number from 0 to 4095.

If *n*=451, IMS terminates with a U451 abend instead of passing a condition code to the operating system. If *n*=451 and the IMS or the application program abends with an abend other than U451, and an I/O error has also occurred, a write-to-programmer of message DFS0426I is issued. This message indicates that an I/O error has occurred during execution and that a U451 abend has occurred if the actual abend has not.

If *n*=451, IMS terminates with abend U0451, even if the operator responds CONT to the DFS0451A message.

By using the IOEROPN parameter, you can set a unique JCL condition code when an I/O error occurs and test the condition code in subsequent job steps. If you do not specify this parameter, the return code passed from the application program is passed to the operating system and status codes and console messages are the only indications of database I/O errors.

WTORNO | WTORYES

If you specify WTORYES, a WTOR for the DFS0451A I/O error message is issued, and DL/I waits for the operator to respond before continuing. If you respond ABEND, IMS terminates with a U0451 abend. If you respond CONT IMS continues. Any other response causes the DFS0451A message to be reissued.

If you specify WTORYES or WTORNO, you must also specify IOEROPN.

Keyword parameters for CREATE SCHEMA

The following keyword parameters are defined for the CREATE SCHEMA statement:

ALTRESPNO | ALTRESPYES

Specifies whether this alternate schema can be used instead of the I/O PCB for responding to terminals in response mode, conversational mode, or exclusive mode. Valid only for alternate schemas (TP PCBs). The default is ALTRESPNO.

EXPRESSNO | EXPRESSYES

Specifies whether messages from this alternate schema are to be sent or are to be backed out if the application program should abend. Valid only for alternate schemas (TP PCBs). The default is EXPRESSNO.

EXPRESSYES, when specified indicates that messages can be sent to the destination terminal even though the program abends or issues a ROLL or ROLB call. For all PCBs (express or non-express)

under these conditions, messages that are inserted but not made available for transmission are canceled, while messages made available for transmission are never canceled.

For a non-express PCB, the message is not available for transmission to its destination until the program reaches a sync (commit) point. The sync point occurs when the program terminates, issues a CHKP call, or requests the next input message (if the transaction is defined with MODE=SNGL).

For an express PCB, the message is available for transmission to the destination when IMS knows it has the complete message. The message is available when a PURG call is made using that PCB, or when the program requests the next input message.

When the PSB is defined as a Fast Path application in the IMS system definition, EXPRESSYES, if specified, is ignored at execution time for a response alternate PCB.

EXPRESSNO, when specified indicates that messages are backed out if the application program abends.

MODIFYNO | MODIFYYES

Specifies whether the alternate schema is modifiable. This feature allows for the dynamic modification of the destination name that is associated with this schema. If MODIFYYES is specified, omit the USING clause. Valid only for alternate schemas (TP PCBs). The default is MODIFYNO.

SAMETRMNO | SAMETRMYES

Specifies whether IMS verifies that the logical terminal that is named in the response alternate schema is assigned to the same physical terminal as the logical terminal that originated the input message. You must specify SAMETRMYES for response alternate schemas that are used by conversational programs and programs operating with terminals in response mode. Specify SAMETRMNO if alternate response schemas are used to send messages to output-only devices that are in exclusive mode. Valid only for alternate schemas (TP PCBs). The default is SAMETRMNO.

DBVER *n*

When database versioning is enabled, specifies the version number of the database definition (DBD) that this application program requires.

The numeric value specified must match a version number defined on the DBD and stored in the IMS catalog. Valid values for a database version number are 0 to 2147483647.

If multiple PCBs within a PSB refer to the same database, each PCB must specify the same DBD version number.

LISTYES | LISTNO

Specifies whether the named PCB is included in the PCB list passed to the application program at entry. Specify YES to include a named PCB in the PCB list. Specify NO to exclude a named PCB from the PCB list. YES is the default.

To exclude a PCB from the PCB list, you must assign the PCB a name with either the label or PCBNAME= parameter. You can specify LIST=NO if an application program does not need a PCB's address.

POSSNGL | POSMULT

Specifies single or multiple positioning for the logical data structure. Single or multiple positioning provides a functional variation in the call.

The performance variation between single and multiple positioning is insignificant. HSAM does not support multiple positioning.

POS=SINGLE or S is the default.

Exception: For DEDBs having more than two dependent segments, the default is POS=MULTIPLE or M.

Coding a POS value on the PCB statement for a DEDB will not override the default that is selected based on the number of dependent segments.

SBNO | SBCON

Specifies which PCBs will be buffered using sequential buffering (SB). This is an optional parameter. The default is SB=NO, unless the default option has been modified for Batch and BMPs by the DFSSBUX0 to SB=COND.

COND

Specifies that SB should be activated conditionally. IMS will monitor statistics about the I/O reference pattern of this PCB to the DB data set. If IMS detects a sequential I/O reference pattern and a reasonable activity rate, it will activate SB and acquire the required buffers.

NO

Specifies that SB should not be used for this DB PCB.

Tip: For short-running MPPs, Fast Path programs, and CICS programs, either omit the SB= keyword or specify SB=NO.

DEDBVIEW | MSDBVIEW

Applications can use the default DEDB commit view, or can use either the MSDB or MSDBL commit view if you specify VIEW=MSDB or VIEW=MSDBL. If you specify VIEW=MSDBL, a lock is held for the duration of DL/I data access and then released at the end of the call.

If you choose to use the default DEDB commit view after having previously specified VIEW=MSDB or VIEW=MSDBL, no changes to existing application programs are required to migrate your MSDBs to DEDBs.

If you issue a REPL call with a PCB that specifies VIEW=MSDB or VIEW=MSDBL, the segment must have a key. This includes any segment in a path if command code 'D' is specified. Otherwise, status AM is returned.

PROCSEQ *index_dbname*

Specifies the name of a secondary index that is used to process the database named in the DBDNAME parameter through a secondary processing sequence. The parameter is optional. It is valid only if a secondary index exists for this database. If this parameter is used, subsequent SENSEG statements must reflect the secondary processing sequence hierarchy of segment types in the indexed database. For example, the first SENSEG statement must name the indexed segment with a PARENT=0 parameter.

full_function_index_dbname must be the name of a secondary index DBD.

For a secondary processing sequence, processing options L and LS are invalid. Inserting and deleting the index target segment and any of its inverted parents is not allowed. When the blocks are built, if the processing option for these segments includes I or D, a warning message indicates that the processing option has been changed to reflect this restriction.

PROCOPT *sch_procopt*

Specifies the processing options for the sensitive segments that are declared in this PCB. You can use these specified options in an associated application program. You can use a maximum of four options with this parameter. The letters in the parameter have the following meaning:

A

All options. By default, PROCOPT=A includes the G (get), I (insert), R (replace), and D (delete) options. PROCOPT=A is the default setting.

G

Get option.

I

Insert option. By default, PROCOPT=I includes the G (get) option for Fast Path DEDBs; PROCOPT=I does not include the G option for other database types.

R

Replace option. By default, PROCOPT=R includes the G (get) option.

D

Delete option. By default, PROCOPT=D includes the G (get) option.

P

Path calls. Required if command code D is to be used, except for ISRT calls in a batch program that is not sensitive to fields. PROCOPT=P is not required if command code D is used when processing DEDBs. P is used in conjunction with the A (all), G (get), I (insert), D (delete), and L (load) options.

O

If the O option is used for a PCB, IMS does not check the ownership of the segments returned. Therefore, the read without integrity program might get a segment that has been updated by another program. If the updating program abends and backs out, the read without integrity program will have a segment that does not exist in the database and never did. If a segment has been deleted and another segment of the same type has been inserted in the same location, the segment data, and all subsequent data returned to the application, can be from a different database record. Therefore, if you use the O option, do not update based on data read with that option. O must be specified as GO, GON, GONP, GOT, GOTP, or GOP only.

IMS recognizes some of these error types and converts them to abend U0849. However, other conditions that occur under PROCOPT GOx are not detected as having been caused by the read-without-integrity. It is possible to get loops, hangs, and system abends. When using this PROCOPT, carefully consider system design to determine if concurrent update activity is likely to cause higher risk of these kinds of conditions.

N

Reduces the number of abends that read-only application programs are subject to. Read-only application programs can reference data being updated by another application program. When this happens, an invalid pointer to the data might exist. If an invalid pointer is detected, the read-only application program abends. By specifying N, you avoid this. A GG status code is returned to the program instead. The program must determine whether to terminate processing, continue processing by reading a different segment, or access the data using a different path. N must be specified as GON, GONH, or GONP.

T

Similar to the N option, except that T causes DL/I to automatically retry the operation. If the retry fails, a GG status code is returned to the application program. T must be specified as GOT, GOTH, or GOTP.

E

Enables exclusive use of the database or segment by online programs. Used in conjunction with G, I, D, R, and A.

Restriction: For a DEDB, PROCOPT=E is not permitted.

L

Load option for database loading (except HIDAM and PHIDAM).

GS

Get segments in ascending sequence only (HSAM only). If you specify GS for HSAM databases, they will be read using the Queued Sequential Access Method (QSAM) instead of the basic Sequential Access Method (BSAM) in a DL/I IMS region.

LS

Load segments in ascending sequence only (HIDAM, HDAM, PHIDAM, PHDAM). This load option is required for HIDAM and PHIDAM. Because you must specify LS for HIDAM and PHIDAM databases, the index for the root segment sequence field will be created at the time the database is loaded.

H

Specifies high-speed sequential processing for the application program that is using a particular PSB. The following restrictions apply to using PROCOPT=H:

- It can be used for DEDBs only.
- It is allowed on the PCB level and not on the segment level.
- It must be used with other Fast Path processing options.

- A maximum of four PROCOPT options can be specified, including H.
- It can only be specified for BMPs.
- Only one PROCOPT=H PCB per database per PSB is allowed. If a BMP that is using HSSP uses multiple PCBs with PROCOPT=H for the same database within the same PSB, all database calls that are using a PCB other than the first one that is used will receive an FH status code. You can use the NOPROCH keyword on the SETO statement to alleviate this restriction.
- PROCOPT=H cannot be used if PROCSEQD=*Fast_Path_index_dbdname* is specified.
- PROCOPT=H cannot be used with PROCOPT=GO.

H is used in conjunction with A, G, I, R, and D.

The PROCOPT value can be up to 4 characters long. It needs to have at least one option from A, G, I, R, D, and L; that is, option E, S, P, O, N, T, or H cannot exist without an option from the group of A, G, I, R, D, and L group.

The default PROCOPT value is A. PROCOPT GOx and Lx groups need to follow the sequence in the diagram.

Keyword parameters for CREATE SENSEGVIEW

The following keyword parameters are defined for the CREATE SENSEGVIEW statement:

PROCOPT *ssv_procopt*

Indicates the processing options valid for use of this sensitive segment by an associated application program. This parameter has the same meaning as the PROCOPT= parameter on the PCB statement. In addition to the valid options for this parameter, an option can be used on the SENSEG statement which does not apply to the PCB statement. A PROCOPT of K indicates key sensitivity only. A GN call with no SSAs can access only data-sensitive segments. If a key-sensitive segment is designated for retrieval in an SSA, the segment is not moved to the user's I/O area. The key is placed at the appropriate offset in the key feedback area of the PCB. If this PROCOPT= parameter is not specified, the PCB PROCOPT parameter is used as default. If there is a difference in the processing options specified on the PCB and SENSEG statements and the options are compatible, SENSEG PROCOPT overrides the PCB PROCOPT. If PROCOPT= L or LS is specified on the preceding PCB statement, this parameter must be omitted.

Do not specify a SENSEG statement for a virtual logical child segment type if PROCOPT= L or LS is specified. The Replace and Delete functions also imply the Get function.

If a segment has PROCOPT=K specified, an unqualified Get Next call (GN) skips to the next sensitive segment with a PROCOPT other than K.

The SENSEG PROCOPT overrides the PCB PROCOPT. If PROCOPT=E is specified in the PCB, the SENSEG PROCOPT must also specify E if it is intended to schedule exclusively for that SENSEG.

It is not valid to code the N or T processing option in the SENSEG statement. You can code them only in the PCB statement.

The processing option for a DEDB sequential dependent segment must be either G or I. If one of these values is not specified on the PCB statement, PROCOPT=G or I must be specified on the SENSEG PCB statement.

In the case of concatenated segments, the PROCOPT= parameter governs the logical child segment of the concatenated segment. The logical parent of the concatenated segment is governed by the RULES= parameter of the SEGM PCB statement.

INDICES

Specifies which secondary indexes contain search fields that are used to qualify SSAs for an indexed segment type. The INDICES= parameter can be specified for indexed segment types only. It enables SSAs of calls for the indexed segment type to be qualified on the search field of the index segment type contained in each secondary index specified.

Restriction:

- An SSA of a call for an indexed segment type cannot be qualified on the search field of a secondary index unless that secondary index was specified in the INDICES= parameter of the SENSEG statement for the indexed segment type or in the PROCSEQ= parameter of the PCB statement.
- The INDICES= parameter is not supported for Fast Path secondary indexing.

For *list1*, you can specify up to 32 DBD names of secondary indexes. If two or more names are specified, these names must be separated by commas and the list enclosed in parentheses.

REFERENCES *table_name*

For tables that are involved in logical relationships or that are in databases that are accessed by a secondary index, use REFERENCES to identify the parent table of this table.

For tables involved in a logical relationship, the name must be the IMS internal name of the logical parent of the table.

For a table that is the physical parent of a source segment pointed to by a secondary index, use the name of the source segment.

For a table that is dependent of a source segment pointed to by a secondary index, use the name of the dependent segment's physical parent.

The REFERENCES keyword does not apply to secondary index source segments.

Schemas or PCBs that reference a physical, non-logical database and that are not in a database that has a secondary index do not support the REFERENCES keyword. If the CREATE SENSEGVIEW clause defines a root as being sensitive, omit the REFERENCES keyword.

REPLYES | REPLNO

Specifies whether or not this field can be altered on a replace call. You can specify NO or N. If omitted, REPLACE=YES (or Y) is the default.

SSPTR

Specifies the subset pointer number and the sensitivity for the pointer. Up to 8 subset pointers can be defined. The subset pointer number (the first parameter) must be 1 through 8. The sensitivity for the pointer (the second parameter) must be R (read sensitive) or U (update). If the first parameter and the second parameter are not specified, the pointer has no sensitivity. If only n is specified, the pointer is read sensitive. SSPTR=R is the default.

You cannot use U (update sensitivity) if the processing option is not A, R, I, or D.

sf_name

Is the name of this field as defined through a FIELD statement. The field is from 1- to 8-alphanumeric characters.

START(*n*)

Specifies the starting position of this field relative to the beginning of the segment within the user's I/O area. *startpos* for the first byte of a segment is 1. *startpos* must be a decimal number whose value does not exceed 32 767.

Types of statements

The following lists the types of schema for the CREATE PROGRAMVIEW statement:

Alternate_schema_statement

The alternate schema (PCB) describes a destination other than the source of the current input message.

This statement instruction allows the application program to send output messages to a destination other than the source of an input message.

Note: A schema statement is required for each destination to which output is to be sent.

These messages can be sent to either an output terminal or an input transaction queue to be processed by another program. Each output message destination requires a separate alternate schema (PCB) destination. If the input source terminal is all that is required to respond with output, do not include any schema statements of this type. Message processing programs, batch

message processing programs, and Fast Path programs can have alternate schema statements in their associated PROGRAMVIEW. An alternate schema cannot be used to send a message to a Fast Path transaction; however, Fast Path application programs can use an alternate schema to route messages to any terminal or IMS transaction.

DB_schema_statement

The schema statement that describes application program access for a DL/I, Fast Path, or GSAM database.

Although one or more of these schema statements are usually included, they are not always required. For example, a message switching program or conversational message program might not require access to a database. Therefore, a database schema is not required.

The maximum number of schemas that can be defined in a PROGRAMVIEW is 2500. This is the maximum value for application programs executing in all IMS region types (MSG, DL/I, and so on).

Usage notes

The CREATE PROGRAMVIEW statement describes the PSB. One or more CREATE SCHEMA statements must be nested in the CREATE PROGRAMVIEW statement to describe the PCBs.

One or more CREATE SENSEGVIEW statements must be nested within each CREATE SCHEMA statement to describe the SENSEGs. SENFIELDs can be nested in each SENSEGVIEW. The order in which the SCHEMA and SENSEGVIEW statements are specified matters.

```
CREATE PROGRAMVIEW ... (
  CREATE SCHEMA ... (
    CREATE SENSEGVIEW ... ,
    CREATE SENSEGVIEW ... WITH ...,
    CREATE SENSEGVIEW ...
  )
  CREATE SCHEMA ... (
    CREATE SENSEGVIEW ... (
      senfld WITH ...
      senfld WITH ...
      senfld WITH ...
    ) WITH ... ,
    CREATE SENSEGVIEW ... (
      senfld WITH ...
      senfld WITH ...
      senfld WITH ...
    )
  ),
  CREATE SENSEGVIEW ... (
    senfld WITH ...
    senfld WITH ...
    senfld WITH ...
  )
)
...
)
```

Examples

The following example shows a sample of a traditional IMS program specification block macro statement with multiple PCBs, followed by the equivalent DDL using the CREATE PROGRAMVIEW, CREATE SCHEMA, and CREATE VIEW statements.

PSB utility source:

```
*****
*   DB PCB NUMBER 1      DB DEDBJN21
*****
PCB      TYPE=DB, DBDNAME=DEDBJN21, POS=M, PROCOPT=A, KEYLEN=26,      C
         PCBNAME=PCB01, EXTERNALNAME=PCB01
SENSEG   NAME=HOSPITAL, PARENT=0
SENSEG   NAME=PAYMENTS, PARENT=HOSPITAL, PROCOPT=GI
SENSEG   NAME=WARD, PARENT=HOSPITAL
SENSEG   NAME=PATIENT, PARENT=WARD
SENSEG   NAME=ILLNESS, PARENT=PATIENT
```

```

SENSEG NAME=TREATMNT ,PARENT=ILLNESS
SENSEG NAME=DOCTOR ,PARENT=TREATMNT
SENSEG NAME=BILLING ,PARENT=PATIENT
SENSEG NAME=ARRAY ,PARENT=HOSPITAL
SENSEG NAME=STRUCT ,PARENT=HOSPITAL
SENSEG NAME=REDEFINE ,PARENT=HOSPITAL
SENSEG NAME=MAP ,PARENT=HOSPITAL
SENSEG NAME=EXFLDSEG ,PARENT=HOSPITAL
SENSEG NAME=NUMSEGM ,PARENT=HOSPITAL
*****
* DB PCB NUMBER 2 DB DEDBJN21
*****
PCB TYPE=DB, DBDNAME=DEDBJN21, POS=M, PROCOPT=GO, KEYLEN=26, C
PCBNAME=PCB10, EXTERNALNAME=PCB10
SENSEG NAME=HOSPITAL ,PARENT=0
SENSEG NAME=PAYMENTS ,PARENT=HOSPITAL
SENSEG NAME=WARD ,PARENT=HOSPITAL
SENSEG NAME=PATIENT ,PARENT=WARD
SENSEG NAME=ILLNESS ,PARENT=PATIENT
SENSEG NAME=TREATMNT ,PARENT=ILLNESS
SENSEG NAME=DOCTOR ,PARENT=TREATMNT
SENSEG NAME=BILLING ,PARENT=PATIENT
SENSEG NAME=ARRAY ,PARENT=HOSPITAL
SENSEG NAME=STRUCT ,PARENT=HOSPITAL
SENSEG NAME=REDEFINE ,PARENT=HOSPITAL
SENSEG NAME=MAP ,PARENT=HOSPITAL
...
*****
* DB PCB NUMBER 11 HIDAM HOSPITAL DB DH41SK01
*****
PCB TYPE=DB, DBDNAME=DH41SK01, POS=M, PROCOPT=AP, KEYLEN=26, C
PCBNAME=PCB11, EXTERNALNAME=PCB11
SENSEG NAME=HOSPITAL ,PARENT=0
SENSEG NAME=PAYMENTS ,PARENT=HOSPITAL, PROCOPT=GI
SENSEG NAME=WARD ,PARENT=HOSPITAL
SENSEG NAME=PATIENT ,PARENT=WARD
SENSEG NAME=ILLNESS ,PARENT=PATIENT
SENSEG NAME=TREATMNT ,PARENT=ILLNESS
SENSEG NAME=DOCTOR ,PARENT=TREATMNT
SENSEG NAME=BILLING ,PARENT=PATIENT
SENSEG NAME=PHARMACY ,PARENT=HOSPITAL
SENSEG NAME=BACKORDR ,PARENT=PHARMACY
SENSEG NAME=ARRAY ,PARENT=HOSPITAL
SENSEG NAME=STRUCT ,PARENT=HOSPITAL
SENSEG NAME=REDEFINE ,PARENT=HOSPITAL
SENSEG NAME=MAP ,PARENT=HOSPITAL
SENSEG NAME=SFTEST ,PARENT=HOSPITAL
SENFLD NAME=SF1, START=1
SENFLD NAME=SF2, START=40
SENFLD NAME=SF3, START=30
*****
* PSBGEN PSBNAME=BMP255
*****
PSBGEN PSBNAME=BMP255, LANG=ASSEM, CMPAT=YES, IOASIZE=32000, C
SSASIZE=32000

```

Equivalent DDL statements:

```

CREATE PROGRAMVIEW bmp255 (
  CREATE SCHEMA pcb01 USING DEDBJN21(
    CREATE SENSEGVIEW hospital,
    CREATE SENSEGVIEW payments WITH PROCOPT GI,
    CREATE SENSEGVIEW ward,
    CREATE SENSEGVIEW patient,
    CREATE SENSEGVIEW illness,
    CREATE SENSEGVIEW treatmnt,
    CREATE SENSEGVIEW doctor,
    CREATE SENSEGVIEW billing,
    CREATE SENSEGVIEW array,
    CREATE SENSEGVIEW struct,
    CREATE SENSEGVIEW redefine,
    CREATE SENSEGVIEW map,
    CREATE SENSEGVIEW exfldseg,
    CREATE SENSEGVIEW numsegm
  )
  PROCOPT A
  POS=MULTIPLE|SINGLE,

  CREATE SCHEMA pcb10 USING DEDBJN21(
    CREATE SENSEGVIEW hospital,

```

```

CREATE SENSEGVIEW payments,
CREATE SENSEGVIEW ward,
CREATE SENSEGVIEW patient,
CREATE SENSEGVIEW illness,
CREATE SENSEGVIEW treatmnt,
CREATE SENSEGVIEW doctor,
CREATE SENSEGVIEW billing,
CREATE SENSEGVIEW array,
CREATE SENSEGVIEW struct,
CREATE SENSEGVIEW redefine,
CREATE SENSEGVIEW map
)
PROCOPT GO
POSMULTI,

CREATE SCHEMA pcb11 USING DH41SK01(
CREATE SENSEGVIEW hospital,
CREATE SENSEGVIEW payments WITH PROCOPT GI,
CREATE SENSEGVIEW ward,
CREATE SENSEGVIEW patient,
CREATE SENSEGVIEW illness,
CREATE SENSEGVIEW treatmnt,
CREATE SENSEGVIEW doctor,
CREATE SENSEGVIEW billing,
CREATE SENSEGVIEW pharmacy,
CREATE SENSEGVIEW backordr,
CREATE SENSEGVIEW array,
CREATE SENSEGVIEW struct,
CREATE SENSEGVIEW redefine,
CREATE SENSEGVIEW map,
CREATE SENSEGVIEW sftest (
sf1 WITH START(1),
sf2 WITH START(40),
sf3 WITH START(30)
)
)
PROCOPT AP
POSMULTI
)
LANGASSEM
CMPATYES
IOASIZE 32000
SSASIZE 32000

```

TPPCBs source:

```

PCB    TYPE=TP,NAME=OUTPUT1
PCB    TYPE=TP,NAME=OUTPUT2
PCB    TYPE=DB,DBDNAME=PARTMSTR,PROCOPT=A,KEYLEN=100
SENSEG NAME=PARTMAST,PARENT=0,PROCOPT=A
SENSEG NAME=CPWS,PARENT=PARTMAST,PROCOPT=A
PCB    TYPE=GSAM,DBDNAME=REPORT,PROCOPT=LS
PSBGEN LANG=COBOL,PSBNAME=APPLPGM3
END

```

Equivalent DDL statements:

```

CREATE PROGRAMVIEW applpgm3 (
CREATE SCHEMA TP pcb01,
CREATE SCHEMA TP pcb02,

CREATE SCHEMA pcb03 USING DH41SK01(
CREATE SENSEGVIEW partmast WITH PROCOPT 'A',
CREATE SENSEGVIEW cpws WITH PROCOPT 'A'
)
PROCOPT 'A',

CREATE SCHEMA pcb04
PROCOPT 'LS',
)
LANGCOBOL

```

TPPCBs source:

```

PCB    TYPE=DB,NAME=FISDBD1,PROCOPT=GRP,KEYLEN=20
SENSEG NAME=EMPLOYEE,PARENT=0
SENFLD NAME=EMPLNAME,START=13,REPL=NO
SENFLD NAME=EMPFNAME,START=1,REPL=NO

```

```

SENFLD  NAME=EMPMI,START=11
SENSEG  NAME=OFFICE,PARENT=EMPLOYEE
SENSEG  NAME=EMPLPROJ,PARENT=EMPLOYEE
SENFLD  NAME=PROJNUM,START=1
SENFLD  NAME=PROJTITLE,START=10
SENFLD  NAME=EPFUNCTN,START=35
SENFLD  NAME=EPTIMEST,START=60
SENFLD  NAME=EPTIMCUR,START =70
PSBGEN  LANG=ASSEM,PSBNAME=APPLPGM1
END

CREATE SENSEGVIEW APPLPGM1 (
  FISDBD1 DB FOR FISDBD1 PROCOPT 'GRP'
  EMPLOYEE SENSEG IN FISDBD1
  EMPLNAME SENSEG IN FISDBD1 START (13) REPLACEN
  ...
) LANGASSEM

CREATE PROGRAMVIEW applpgm1 (
  CREATE SCHEMA pcb01 USING FISDBD1(
    CREATE SENSEGVIEW employee (
      emplname WITH START (13) REPLNO,
      empfname WITH START (1) REPLNO,
      empmi WITH START (11)
    )

    CREATE SENSEGVIEW office,

    CREATE SENSEGVIEW emplproj (
      projnum WITH START (1),
      projtitle WITH START (10),
      epfunctn WITH START (35),
      eptimest WITH START (60),
      eptimcur with START (70)
    )
  )
)
LANGASSEM

```

Fast Path example:

```

PCB     TYPE=DB,DBDNAME=MSDBLM01,PROCOPT=R,KEYLEN=4 NONTERMINAL-RELATED
SENSEG  NAME=LDM,PARENT=0 (DEFAULT)
PCB     TYPE=DB,DBDNAME=MSDBLM02,PROCOPT=R,KEYLEN=1 NONTERMINAL-RELATED
SENSEG  NAME=LDM,PARENT=0
PCB     TYPE=DB,DBDNAME=MSDBLM03,PROCOPT=R,KEYLEN=2 NONTERMINAL-RELATED
SENSEG  NAME=LDM,PARENT=0
PCB     TYPE=DB,DBDNAME=MSDBLM04,PROCOPT=R,KEYLEN=8 NONTERMINAL-RELATED
SENSEG  NAME=LDM,PARENT=0
PCB     TYPE=DB,DBDNAME=MSDBLM05,PROCOPT=R,KEYLEN=8 FIXED RELATED
SENSEG  NAME=LDM,PARENT=0
PCB     TYPE=DB,DBDNAME=MSDBLM06,PROCOPT=A,KEYLEN=8 DYNAMIC RELATED
SENSEG  NAME=LDM,PARENT=0
PCB     TYPE=DB,DBDNAME=MSDBLM06,PROCOPT=R,KEYLEN=8 DYNAMIC RELATED
SENSEG  NAME=LDM,PARENT=0
PCB     TYPE=DB,DBDNAME=MSDBLM06,PROCOPT=G,KEYLEN=8 DYNAMIC RELATED
SENSEG  NAME=LDM,PARENT=0
PSBGEN  LANG=ASSEM,PSBNAME=APPLPGM1 END OF PSBGEN MACRO
END     END OF PSB GEN

CREATE PROGRAMVIEW applpgm1 (
  CREATE SCHEMA pcb01 USING MSDBLM01 (
    CREATE SENSEGVIEW lim
  )
  PROCOPT 'R',
  CREATE SCHEMA pcb02 USING MSDBLM02(
    CREATE SENSEGVIEW lim
  )
  PROCOPT 'R',
  CREATE SCHEMA pcb03 USING MSDBLM03(
    CREATE SENSEGVIEW lim
  )
  PROCOPT 'R',
  CREATE SCHEMA pcb04 USING MSDBLM04 (
    CREATE SENSEGVIEW lim
  )
  PROCOPT 'R',
  CREATE SCHEMA pcb05 USING MSDBLM05 (
    CREATE SENSEGVIEW lim
  )
)

```



```

        PROCOPT 'R',
        CREATE SCHEMA pcb06 USING MSDBLM06 (
            CREATE SENSEGVIEW lim
        )
        PROCOPT 'A',
        CREATE SCHEMA pcb06 USING MSDBLM06(
            CREATE SENSEGVIEW lim
        )
        PROCOPT 'R',
        CREATE SCHEMA pcb06 USING MSDBLM06
            CREATE SENSEGVIEW lim
        )
        PROCOPT 'G'
    )
LANGASSEM

```

TPPCBs source:

```

DEDB SSPTR
PCB      TYPE=DB, DBDNAME=MSDBLM01, PROCOPT=R,      NONTERMINAL-RELATED      X
PCB TYPE=DB, DBDNAME=X, PROCOPT=A, KEYLEN=100
SENSEG  NAME=A, PARENT=0
SENSEG  NAME=B, PARENT=A, SSPTR=((1,R), (2,U), (5))
SENSEG  NAME=C, PARENT=B
SENSEG  NAME=D, PARENT=A, SSPTR=((2,R))
PSBGEN  LANG=COBOL, PSBNAME=APPLPGM1
END

CREATE PROGRAMVIEW applpgm1 (
    CREATE SCHEMA pcb01.msdblm01 AS pcb01
    PROCOPT 'R',

    CREATE SCHEMA pcb02.x AS pcb02 (
        CREATE SENSEGVIEW a,

        CREATE SENSEGVIEW b
        WITH SSPTR (1 R,2 U,5),

        CREATE SENSEGVIEW c.b,

        CREATE SENSEGVIEW d.a
        SSPTR (2 R)
    )
    PROCOPT 'A'
)
LANGCOBOL

```

TPPCBs source:

```

PCB      TYPE=DB, DBDNAME=DTA3, PROCOPT=A, KEYLEN=15, PROCSEQ=X4
SENSEG  NAME=DA, PARENT=0
SENSEG  NAME=DB, PARENT=DA
SENSEG  NAME=DC, PARENT=DA, INDICES=X5
SENSEG  NAME=DD, PARENT=DC
SENSEG  NAME=DE, PARENT=DC, INDICES=X6
PSBGEN  LANG=COBOL, PSBNAME=APPLPGM1
END

CREATE PROGRAMVIEW applpgm1 (
    CREATE SCHEMA pcb01.dta3 AS pcb01 (
        CREATE SENSEGVIEW da,

        CREATE SENSEGVIEW db.da,

        CREATE SENSEGVIEW dc.da WITH INDICES (X5)

        CREATE SENSEGVIEW dd.dc

        CREATE SENSEGVIEW de.dc WITH INDICES (X6)
    )
    PROCOPT 'A'
    PROCSEQ X4
)
LANGCOBOL

```

CREATE TABLE

The CREATE TABLE statement defines a new table.

Restriction: If you specify any of the following keywords on the CREATE TABLE statement, you cannot change the keyword and keyword value by using the ALTER TABLE statement. To change the keyword and keyword value, you must first use the DROP TABLE statement to delete the table. Then, you must re-create the table by using the CREATE TABLE statement and specify the keyword and keyword value again.

- The INTERNALNAME*internalname* keyword to specify the internal name of the segment type being defined.
- DIRECT DEPENDENT | SEQUENTIAL DEPENDENT

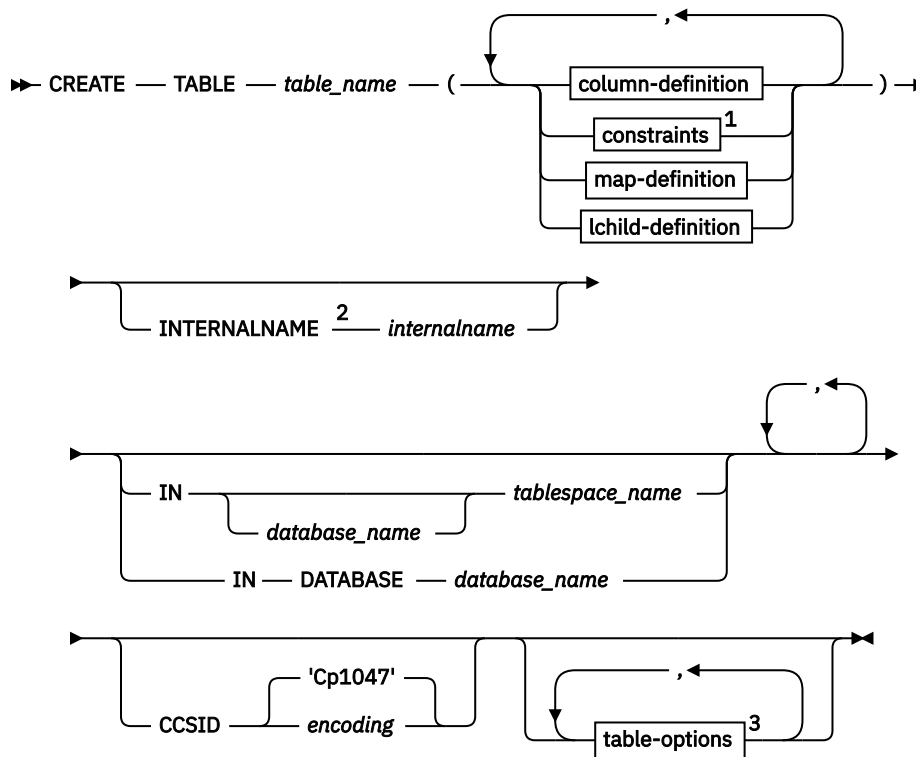
Invocation

This statement can be submitted from a Java application program with an establish connection to IMS through the IMS Universal JDBC drivers. It is an executable statement that cannot be dynamically prepared.

- [“CREATE TABLE syntax” on page 687](#)
- [“column-definition syntax” on page 687](#)
- [“data-type syntax” on page 688](#)
- [“ims-column syntax” on page 689](#)
- [“inline-constraints syntax” on page 690](#)
- [“constraint syntax” on page 690](#)
- [“references-clause syntax” on page 690](#)
- [“map-definition syntax” on page 690](#)
- [“case-definition syntax” on page 690](#)
- [“lchild-definition syntax” on page 690](#)
- [“lchild-option syntax \(HISAM\)” on page 690](#)
- [“lchild-option syntax \(HDAM\)” on page 691](#)
- [“lchild-option syntax \(HIDAM\)” on page 691](#)
- [“lchild-option syntax \(PHDAM or PHIDAM\)” on page 691](#)
- [“lchild-option syntax \(INDEX for Full-Function secondary index database\)” on page 691](#)
-
- [“lchild-option syntax \(PSINDEX\)” on page 691](#)
- [“xdfld-options syntax \(HISAM, SHISAM, HDAM, HIDAM, PHDAM, or PHIDAM\)” on page 692](#)
- [“table-options syntax \(PHIDAM or PHDAM\)” on page 693](#)
- [“table-options syntax \(HIDAM or HDAM\)” on page 694](#)
- [“table-options syntax \(DEDDB\)” on page 694](#)
- [“table-options syntax \(HISAM or SHISAM\)” on page 695](#)
- [“table-options syntax \(HSAM or SHSAM\)” on page 695](#)
- [“table-options syntax \(INDEX\)” on page 695](#)
- [“table-options syntax \(LOGICAL\)” on page 695](#)
- [“source-clause syntax” on page 696](#)
- [“editproc-clause syntax” on page 696](#)
- [“lparent-clause syntax” on page 696](#)
- [“data_capture syntax” on page 696](#)
- [“exit_changes syntax” on page 696](#)

- [“exit_attributes syntax” on page 697](#)

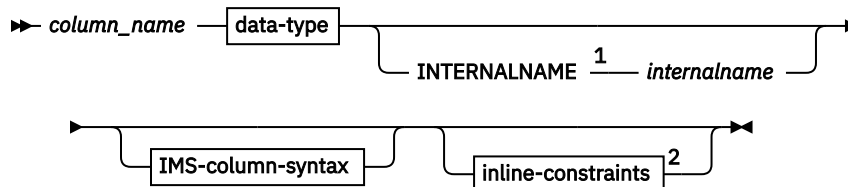
CREATE TABLE syntax



Notes:

- ¹ The constraints and lchild-definition fragments are invalid for a GSAM database.
- ² INTERNALNAME is invalid for a GSAM database.
- ³ The table-options fragment is invalid for a GSAM database.

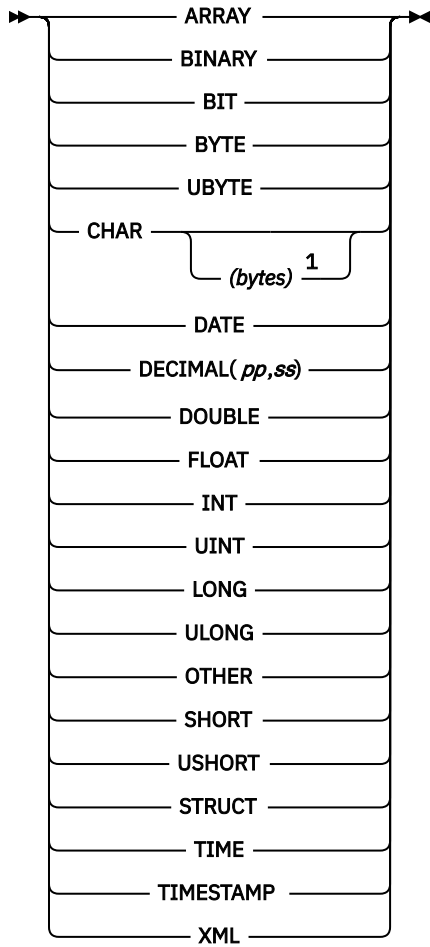
column-definition syntax



Notes:

- ¹ INTERNALNAME is invalid for a GSAM database.
- ² The inline-constraints fragment is invalid for a GSAM database.

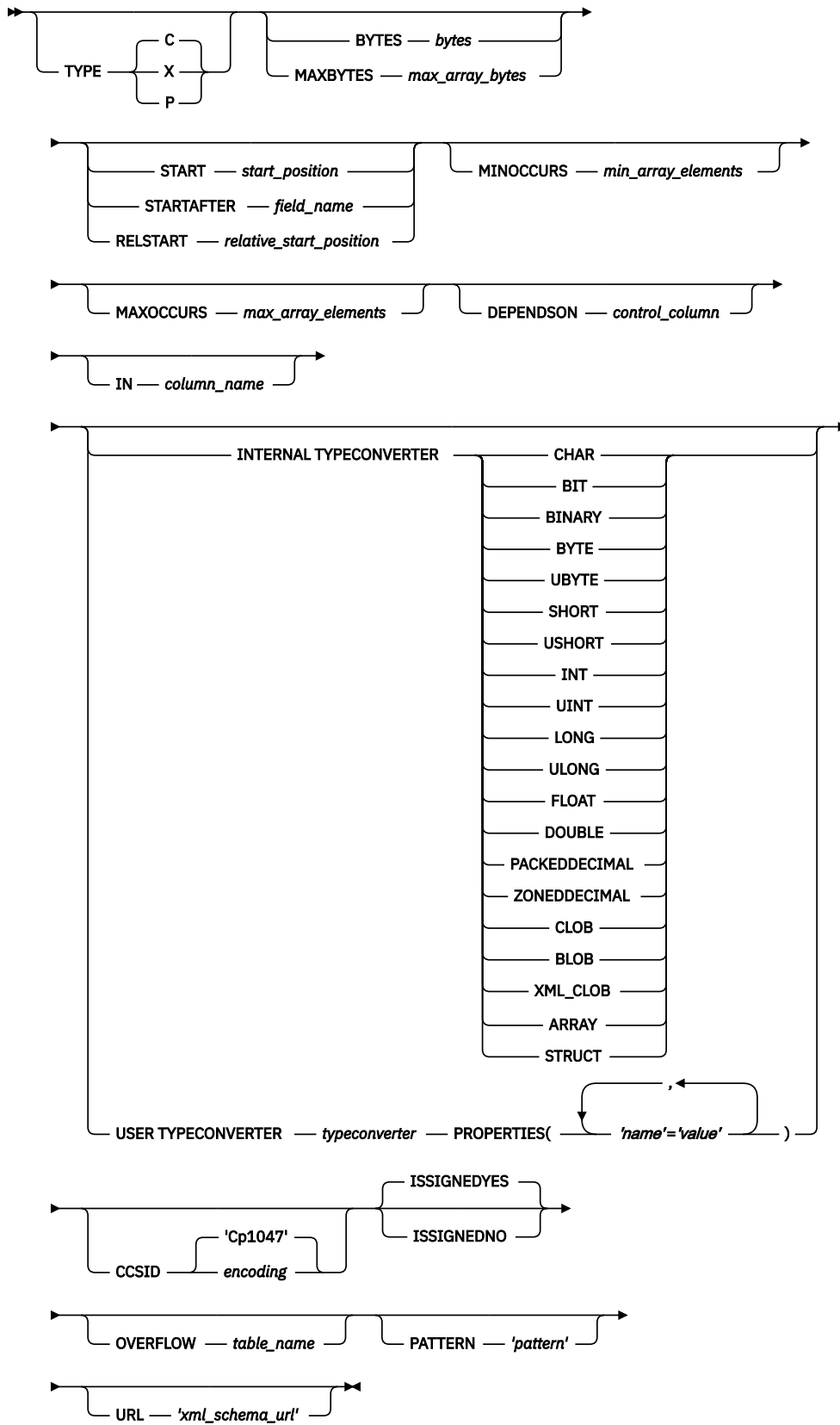
data-type syntax



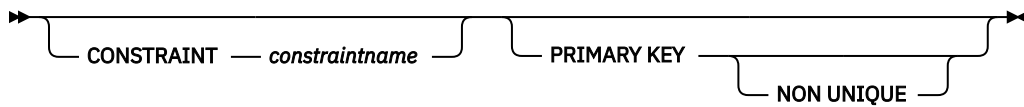
Notes:

¹ The default bytes for CHAR is 1.

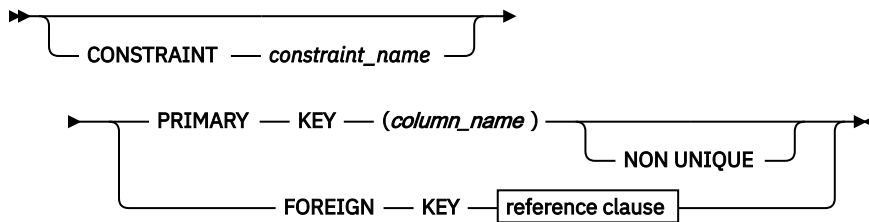
ims-column syntax



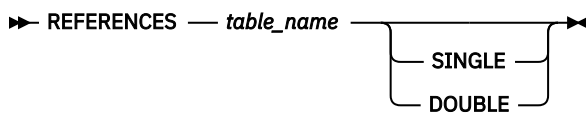
inline-constraints syntax



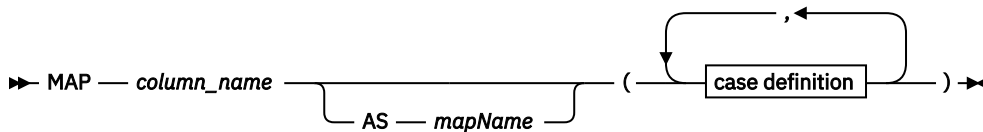
constraint syntax



references-clause syntax



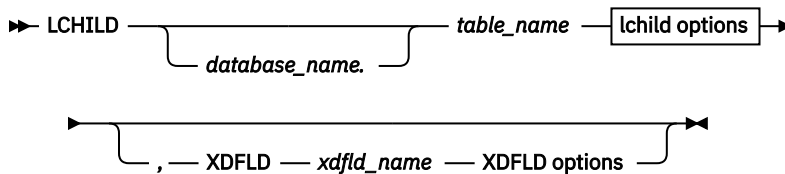
map-definition syntax



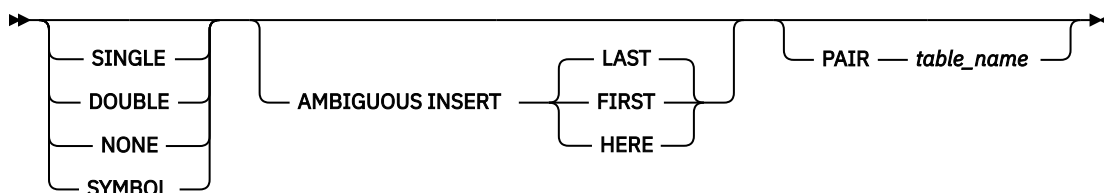
case-definition syntax



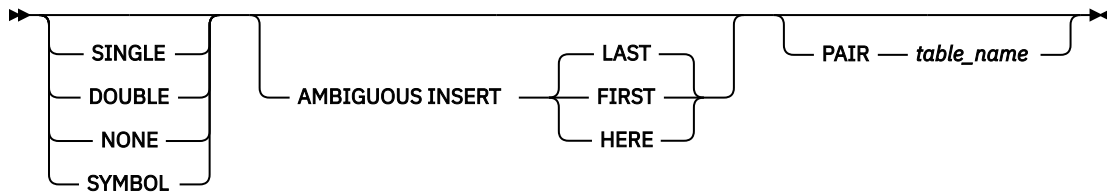
lchild-definition syntax



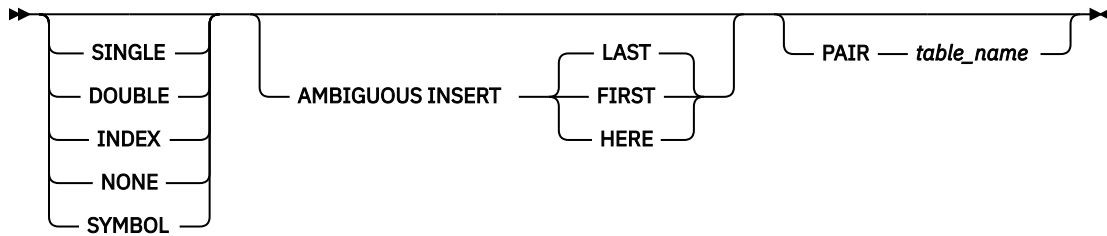
lchild-option syntax (HISAM)



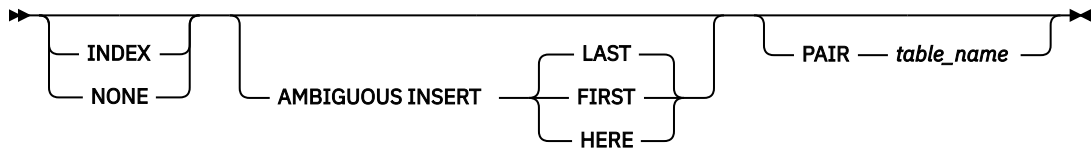
lchild-option syntax (HDAM)



lchild-option syntax (HIDAM)



lchild-option syntax (PHDAM or PHIDAM)



lchild-option syntax (INDEX for Full-Function secondary index database)



lchild-option syntax (PSINDEX)



xdfld-options syntax (HISAM, SHISAM, HDAM, HIDAM, PHDAM, or PHIDAM)

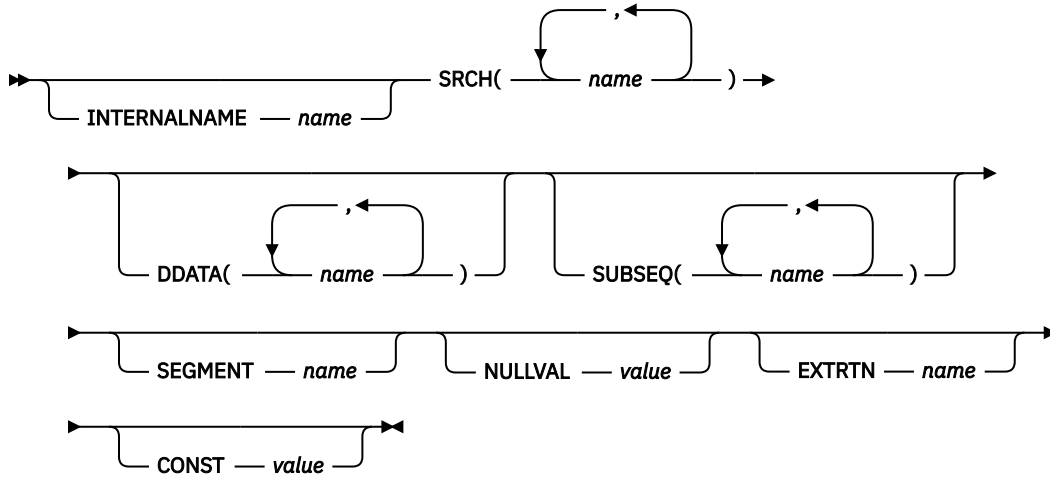
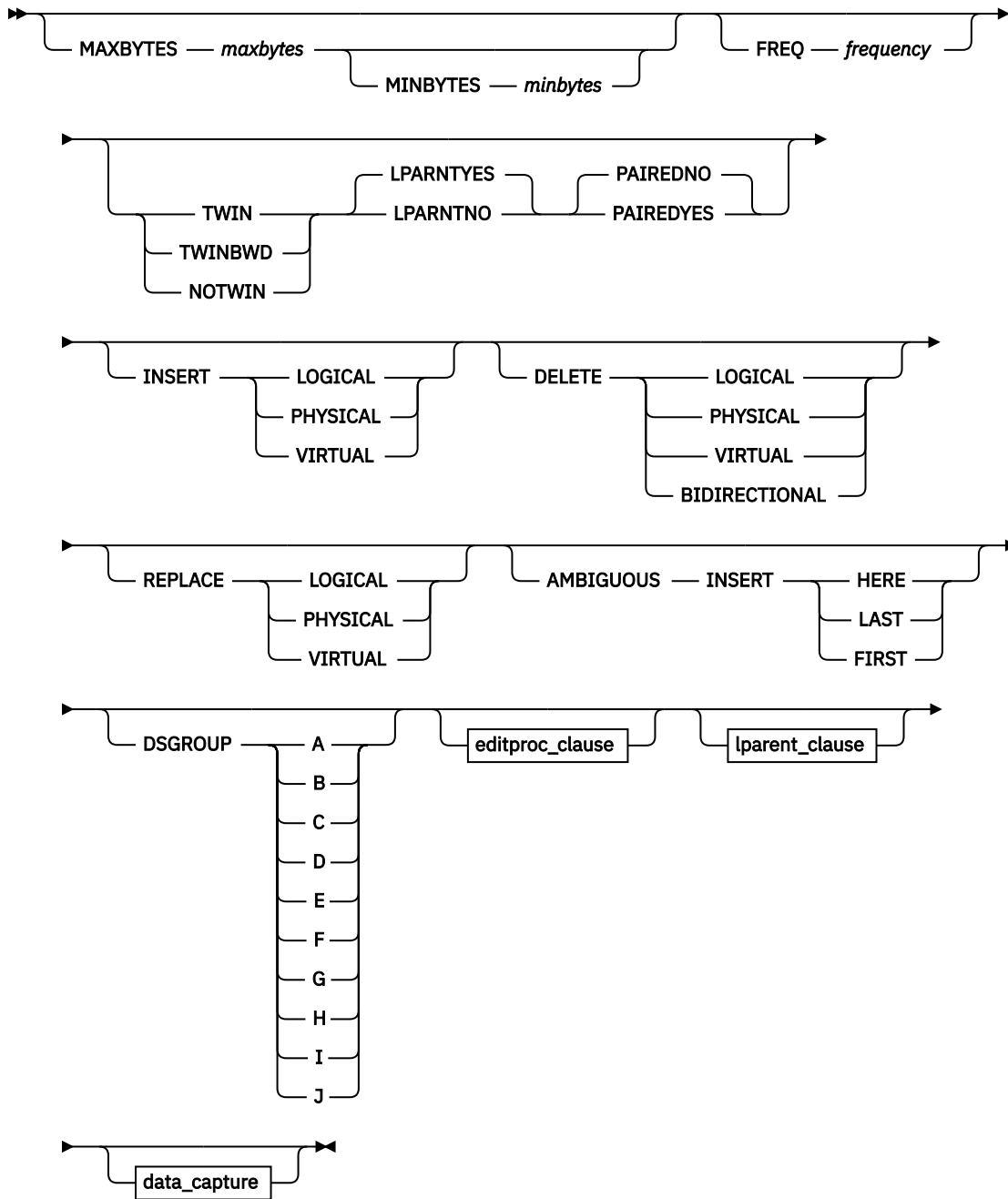
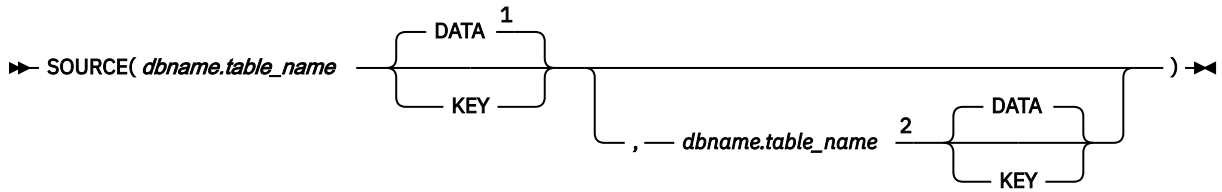


table-options syntax (PHIDAM or PHDAM)



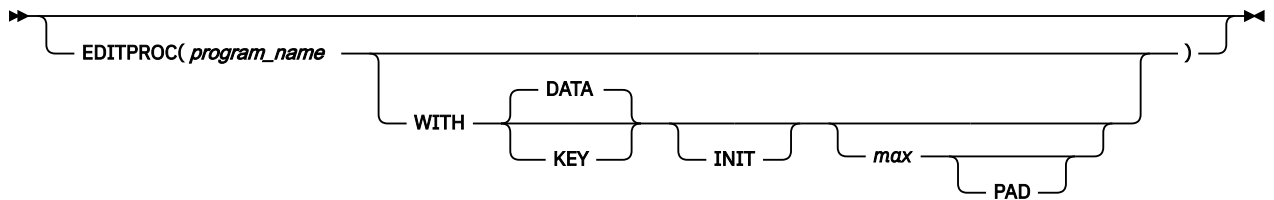
source-clause syntax



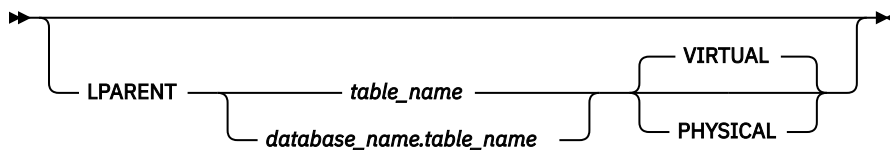
Notes:

- ¹ KEY is not allowed for HISAM or SHISAM.
- ² Second portion not allowed for HISAM or SHISAM.

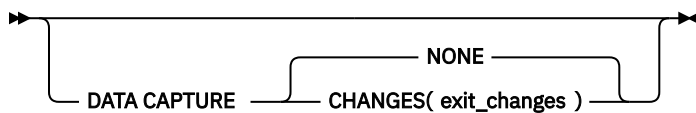
editproc-clause syntax



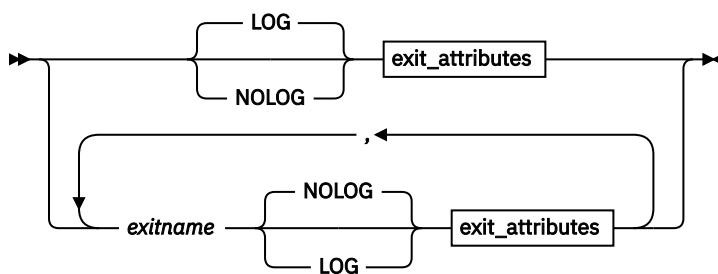
lparent-clause syntax



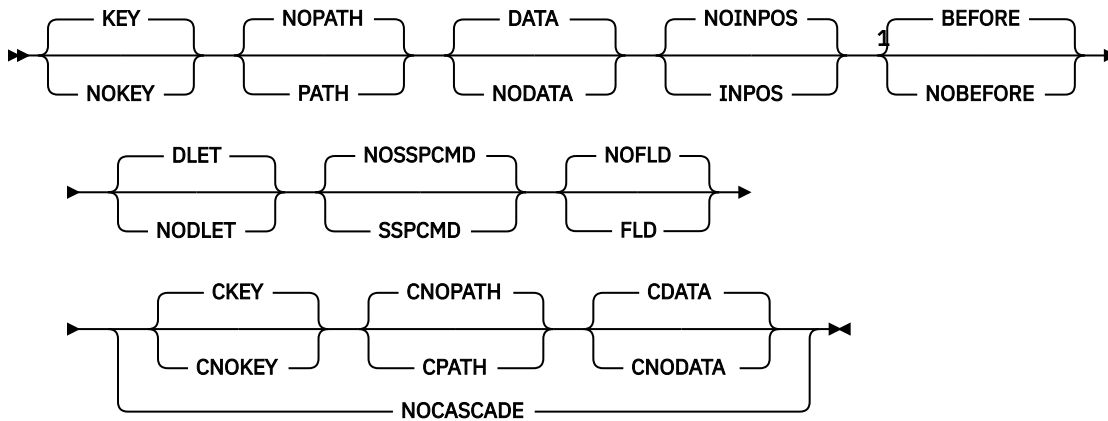
data_capture syntax



exit_changes syntax



exit_attributes syntax



Notes:

¹ BEFORE, NOBEFORE, DLET, NODLET, SSPCMD, NOSSPCMD, FLD, and NOFLD are for DEDB only.

Keyword parameters for CREATE TABLE

The following keyword parameters are defined for the CREATE TABLE statement:

TABLE *table_name*

Specifies an external name as a 1- to 128-character uppercase alphanumeric string. A table name can include the underscore character. The table name must be unique within a database.

Restriction: Table names cannot be reserved SQL keywords or begin with DFS.

lchild_definition

Must be preceded by a column-definition.

INTERNALNAME *internalname*

Specifies the internal name of the segment type being defined. The specified name is used by DL/I and application programs in all references to this segment. Duplicate segment names are not allowed. The *internalname* parameter must be a 1- to 8-character alphanumeric value. Each character must be in the range of A - Z or 0 - 9, or the character \$, #, or @.

Restriction: The first character of the name cannot be numeric.

Restriction: After you specify the internal name of the segment type being defined, you cannot change the internal name by using the ALTER TABLE statement. To change the internal name of the segment type, you must first use the DROP TABLE statement to delete the table. Then, you must re-create the table by using the CREATE TABLE statement and specify the new internal name.

The default value of the INTERNALNAME parameter will start with a 'TBL' prefix followed by an incremented number. Although listed as optional since IMS will generate a default internal name, it is highly recommended that you provide your own internal name. This way you have control of the internal name used by IMS and the program views (PSB).

For example:

```
TBL00001
TBL00255
```

IN *dbname.tablespace_name*

Specifies the database and tablespace to which the table belongs.

Note: This clause does not apply for DEDB, LOGICAL, PSINDEX, PHIDAM or PHDAM databases. Use IN DATABASE instead.

IN DATABASE *dbname*

Specifies the database to which the table belongs. When the tablespace name is not provided, the table will be associated with the latest defined tablespace.

Keyword parameters for CREATE TABLE (table-options)

The following keyword parameters are defined for the CREATE TABLE (table-options) statement:

SOURCE

Is the IMS internal table name and is used for two purposes:

- To identify the real logical child segment type that is to be represented by the virtual logical child segment type that is being defined
- To identify the segment type or types in physical databases that are represented by the segment type being defined in a logical database

Restriction: The SOURCE keyword is not allowed for PHDAM and PHIDAM databases because they support only physical pairing.

When defining a virtual logical child the statement is:

```
➤ SOURCE=(( segname, , dbname)) ➤
```

segname

Specifies the name of the real, logical child

DATA


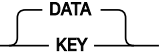
Indicates that both the key and the data portions of *segname* are to be used in constructing the segment. This parameter is required.

dbname

Specifies the name of the physical database that contains the real logical child.

When defining a segment type in a logical database the statement is:

```
➤ SOURCE= ➤
```

```
➤ ( ( ( segname , , dbname ) , ( segname , , dbname ) ) ) ➤
```

(*segname*, KEY | DATA, *dbname*)

The first occurrence refers to the segment in a physical database that is being defined as a logical segment, or it refers to the logical child segment type in a physical database that is used for the first portion of a concatenated segment type in this logical database.

segname

Is the name of the segment type in the physical database.

KEY

Specifies that the key portion of the segment specified in *segname* is to be placed in the key feedback area. The segment must not be placed in the user I/O area when a call is issued to process the logical segment type that represents *segname*.

DATA

Specifies that the key portion of the segment specified in *segname* must be placed in the key feedback area, and the segment must be placed in the user I/O area when a call is issued to process the logical segment type that represents *segname*.

dbname

Specifies the name of the physical database that contains *segname*. The second occurrence of (*segname*, KEY|DATA, *dbname*) refers to the logical or physical parent segment type in a physical database that is used for the destination parent part of a concatenated segment in this logical database. The description of each parameter for the second occurrence is the same as described for the first occurrence.

When the first occurrence of (*segname*, KEY | DATA, *dbname*) refers to a virtual logical child, the second occurrence, if specified, must refer to the real logical child's physical parent.

When the source segments is used to represent a concatenated segment, the KEY and DATA parameters are used to control which of the two segments (or both) are placed in the user's I/O area on retrieval calls. If DATA is specified, the segment is placed in the user's I/O area. If KEY is specified, the segment is not placed in the user's I/O area, but the sequence field key, if one exists, is placed in the key feedback area of the PCB. The key of a concatenated segment is the key of the logical child, either the physical twin sequence field or the logical twin sequence field, depending on which path the logical child is accessed from. The KEY and DATA parameters apply to retrieval type calls only.

On insert calls, the user's I/O area must always contain the logical child segment and, unless the insert rule is physical, the logical parent segment. Even if KEY is specified for a segment, the database containing that segment must be available to IMS when calls are issued against the logical database containing the referenced segment. When the first occurrence of the SOURCE segment specification references a logical child, the second occurrence referencing the destination parent for the concatenated segment should also be specified. If not explicitly specified it is included with the KEY parameter by default when the blocks are built.

The segments defined with a logical DBD generation must gain their physical definition from segments previously defined in one or more physical DBD generations.

If the SEGM statement defines a segment in an INDEX data set, the SOURCE parameter is invalid.

MAXBYTES *maxbytes*

MINBYTES *minbytes*

Defines a segment type as variable-length if the minbytes parameter is included. The maxbytes field specifies the maximum length of any occurrence of this segment type. The maximum and minimum allowable values for the maxbytes parameter are the same values as described for a fixed-length segment.

If the segment is processed by a compression routine, set the maxbytes field to accommodate control information to indicate whether the segment length can be longer than the specified maximum definition. in order to avoid an abend 0799. To allow for the expansion, add an arbitrary value of 10 bytes to the maxbytes.

The minbytes parameter specifies the minimum amount of storage used by a variable-length segment. The maximum value for minbytes is the value specified for maxbytes. The minimum value for minbytes must be:

- For a segment type that is not processed by an edit/compression routine or is processed by an edit/compression routine but the key compression option has not been specified, minbytes must be large enough to contain the complete sequence field if a sequence field has been specified for the segment type.
- For a segment type that is processed by an edit/compression routine that includes the key compression option or a segment that is not sequenced, the minimum value is 4.

Because segments in an HSAM, SHSAM, INDEX, PSINDEX or SHISAM database cannot be variable-length, the minbytes parameter is invalid for these databases.

In a Fast Path DEDB, a segment starts with a 2-byte field, which defines the length of the segment including the 2-byte length field, followed by user data specified by a column. The value of minbytes can be specified from a minimum of 4 bytes to a maximum of maxbytes; however, the minbytes value must be large enough to contain this segment's sequence field (that is, $\text{minbytes} \geq \text{START} - 1 + \text{BYTES}$ of the sequence field following the table). For example, the smallest minbyte value for a segment with a 20-byte sequence field length and $\text{START} = 7$ is 26. On any given DL/I call, the actual segment length can fall anywhere between a length that includes the sequence field and the value of maxbytes. The value of maxbytes must not exceed the control interval size minus 120.

TWINBWD | NOTWIN | TWIN | HIER | HIERBWD

Specifies the pointer fields to be reserved in the prefix area of occurrences of the segment type being defined. These fields are used to relate this segment to its immediate parent segments and twin segments.

TWINBWD

Reserves a 4-byte physical twin forward pointer field and a 4-byte physical twin backward pointer field in the segment prefix being defined. The twin backward pointers provide increased delete performance.

Recommendation: This option is recommended for HIDAM and PHIDAM database root segments.

NOTWIN

Prevents space from being reserved for a physical twin forward pointer in the prefix of occurrences of the segment type being defined.

NOTWIN can be specified for a dependent segment type if:

- The physical parent does not have hierarchic pointers specified.
- No more than one occurrence of the dependent segment type is stored as a physical child of any occurrence of the physical parent segment type.

In addition, NOTWIN can be specified for the root segment type of HDAM and PHIDAM databases, but only when the randomizing module does not produce synonyms (keys with different values having the same block and anchor point).

When NOTWIN is specified for a dependent segment type and an attempt is made to load or insert a second occurrence of the dependent segment as a physical child of a given physical parent segment:

- An LB status code is returned when trying to insert the second occurrence during initial load.
- An II status code is returned when trying to insert the second occurrence after initial load.

Any attempt to load or insert a synonym is rejected with an LB or II status code.

TWIN

Reserves a 4-byte physical twin forward pointer field in the segment prefix being defined.

HIER

Reserves a 4-byte hierarchic forward pointer field in the prefix of occurrences of the segment type being defined. HALDB does not support HIER.

HIERBWD

Reserves a 4-byte hierarchic forward pointer field and a 4-byte hierarchic backward pointer field in the prefix of occurrences of the segment type being defined. Hierarchic backward pointers provide increased delete performance. HALDB does not support HIERBWD.

LPARNTYES | LPARNTNO

Specifies the type of logical parent.

LPARNTYES

This parameter can be specified only when the segment type that is being defined is a logical child and the logical parent is in an HDAM, HIDAM, PHDAM, or PHIDAM database. If the logical parent is in a HISAM database, omit this parameter and specify PHYSICAL in the PARENT= parameter for the segment that is being defined.

For HDAM, HIDAM, and HISAM databases, LPARNT reserves a 4-byte logical parent pointer field in the prefix of occurrences of the segment type being defined.

For PHDAM and PHIDAM databases, LPARNT reserves a 28-byte extended pointer set in the prefix of occurrences of the segment type being defined.

LPARNTNO

Specifies that the segment type that is being defined is not a logical child or the logical parent is not in an HDAM, HIDAM, PHDAM, or PHIDAM database.

PAIREDYES | PAIREDNO

Specifies whether this segment participates in a bidirectional logical relationship.

PAIREDYES

Indicates that this segment participates in a bidirectional logical relationship. This parameter is specified for the following types:

- A virtual logical child segment type
- Both physically paired logical child segment types in a bidirectional logical relationship

If PAIRED is specified, the LTWIN and LTWINBWD parameters are invalid.

PAIREDNO

Indicates that this segment does not participate in a bidirectional logical relationship.

CTRNO | CTRYES

CTRNO

Does not reserve a 4-byte counter field in the prefix of occurrences of the segment type being defined.

CTRYES

Reserves a 4-byte counter field in the prefix of occurrences of the segment type being defined. A counter is required if a logical parent segment in a HISAM, HDAM, or HIDAM database has logical child segments which are not connected to it by logical child pointers. Counters are placed in all segments requiring them automatically during DBD generation without the user specifying this parameter. To avoid a later DBD generation, however, the user can anticipate future requirements for counters and reserve a counter field in the prefix of occurrences of a segment type by using this parameter. HALDB does not support CTR.

INSERT {LOGICAL | PHYSICAL | VIRTUAL}

DELETE {LOGICAL | PHYSICAL | VIRTUAL | BIDIRECTIONAL}

REPLACE {LOGICAL | PHYSICAL | VIRTUAL}

Specifies the rules used for insertion, deletion, and replacement of occurrences of the segment type being defined. These parameters are specified for logical child segments and for their physical and logical parent segments. They should be omitted for all segment types that do not participate in logical relationships.

AMBIGUOUS INSERT {LAST | FIRST | HERE}

Specifies where new occurrences of the segment type defined by this table are inserted into their physical database (establishes the physical twin sequence). This value is used only when processing segments with no sequence field or with a nonunique sequence field. The value is ignored when specified for a segment type with a unique sequence field defined.

Except for HDAM and PHDAM roots, the rules of FIRST, LAST, or HERE do not apply to the initial loading of a database and segments are loaded in the sequence presented in load mode. If a unique sequence field is not defined for the HDAM root on initial load or HD reload, the insert rules of FIRST, LAST, or HERE determine the sequence in which roots are chained. Thus the reload of an HDAM or PHDAM database reverses the order of the unsequenced roots when HERE or FIRST is used.

LAST is the default except for DEDB segments.

For Fast Path sequential dependent segment processing, the insert rule of FIRST is always used and cannot be overridden. For direct dependent segment processing, you can specify FIRST, LAST, or HERE. HERE is the default.

FIRST

For segments without a sequence field defined, a new occurrence is inserted before all existing physical twins. For segments with a nonunique sequence field defined, a new occurrence is inserted before all existing physical twins with the same sequence field value.

LAST

For segments without a sequence field defined, a new occurrence is inserted after all existing physical twins. For segments with a nonunique sequence field defined, a new occurrence is inserted after all existing physical twins with the same sequence field value.

HERE

For segments without a sequence field, a new occurrence is inserted immediately before the physical twin on which position was established. If a position was not established on a physical twin of the segment being inserted, the new occurrence is inserted before all existing physical twins. For segments with a nonunique sequence field defined, a new occurrence is inserted

immediately before the physical twin with the same sequence field value on which position was established. If a position was not established on a physical twin with the same sequence field value, the new occurrence is inserted before all physical twins with the same sequence field value. The insert position is dependent on the position established by the previous DL/I call.

A command code of L (last) takes precedence over the insert rule specified causing a new occurrence to be inserted according to the insert rule of LAST, for insert calls issued against a physical path.

DSGROUP

Specifies multiple data set groups for PHDAM and PHIDAM databases. The format is DSGROUP *c*, where *c* is equivalent to the letters A through J. This enables you to divide PHDAM and PHIDAM databases into a maximum of ten data set groups. The default for every segment is A (single set for data per partition). If specified on the root segment, it must be DSGROUP A.

Restriction: Gaps in the A-J sequence are not allowed. For example, if DSGROUP C is specified on a CREATE TABLE statement, there must also be at least one CREATE TABLE statement with DSGROUP B, and each HALDB partition will have A, B, and C data sets.

FREQ frequency

Specifies the estimated number of times that this segment is likely to occur for each occurrence of its physical parent. The frequency parameter must be an unsigned decimal number in the range 0.01 to $2^{24}-1$. If this is a root segment, "frequency" is the estimate of the maximum number of database records that appear in the database being defined. The value of the FREQ parameter when applied to dependent segments is used to determine the logical record length and physical storage block sizes for each data set group of the database.

CCSID encoding

An optional 1- to 25-character field that specifies the encoding of the character data in the segment.

The value specified on the **CCSID** parameter cannot contain the following characters:

- Single and double quotation marks
- Blanks
- Less than (<) and greater than (>) symbols
- Ampersands (&)

The value of the **CCSID** parameter in the table overrides the value of the **CCSID** parameter in the database for this segment. If the **CCSID** parameter is not specified on the table, the default value is either the value of the **CCSID** parameter on the database or, if **CCSID** was not specified on the database, the value Cp1047, which specifies EBCDIC encoding.

This value can be overridden in individual fields by the **CCSID** parameter in the column definition.

DIRECT DEPENDENT | SEQUENTIAL DEPENDENT

For databases defined with a DEDB access type only. Describes the type of DEDB dependent segment. Must not be specified for root segments. Only one sequential dependent segment is permitted per DEDB, and, if specified, it must be the first dependent segment type. Direct dependent segment type is the default.

Restriction: After you define the type of DEDB dependent segment by specifying DIRECT DEPENDENT or SEQUENTIAL DEPENDENT, you cannot change the segment type by using the ALTER TABLE statement. To change the type of DEDB dependent segment, you must first use the DROP TABLE statement to delete the table. Then, you must re-create the table by using the CREATE TABLE statement and specify the keyword for the segment type that you require.

SSPTR *n*

For databases defined with a DEDB access type only. Specifies the number of subset pointers. You can specify from 0 to 8. When you specify 0 or if SSPTR is not specified, you are not using a subset pointer.

EDITPROC *routinename*

Selects a Segment Edit/Compression exit routine for either DEDB or full-function database.

For segment edit/compression of full-function database

Do not specify this keyword if the SOURCE keyword is used. The DL/I EDITPROC keyword is invalid for HSAM, SHSAM, SHISAM, INDEX, and logical databases. It is also invalid for logical child segments in any database. When used for a HISAM database, it must not change the sequence field offset for HISAM root segments. In addition, the minimum segment length that can be specified for a segment type where the segment edit/compression option is specified is 4 bytes.

Remember: If you are using a segment edit/compression exit routine and defined your segments as variable-length, be aware that when a variable-length segment is compressed, it is padded with null bytes up to the minimum segment length that was defined in the DBD. Minimum segment length essentially overrides the compression; this enables you to provide additional space during load time for segments that are heavily compressed.

routinename

Specifies the name of the user-supplied edit/compression exit routine. This name must be a 1- to 8-character alphanumeric value, must not be the same as any other name in IMS.SDFSRESL, and must not be the same as a database name.

DATA

Specifies that the indicated exit routine condenses or modifies data fields only. Sequence fields must not be modified, nor data fields that change the position of the sequence field in respect to the start of the segment. DATA is the default value if a compression routine is named but no parameter is selected.

KEY

Specifies that the exit routine can condense or modify any fields within the named segment. This parameter is invalid for the root segment of a HISAM database.

INIT

Indicates that initialization and termination processing control is required by the segment exit routine. When this parameter is specified, the edit/compression routine gains control after database open and after database close.

max

Specifies the maximum number of bytes by which fixed-length segments can increase during compression exits. You can specify from 1 to 32 767 bytes. The default for *max* is 10.

PAD

Indicates that the numeric value supplied by MAX should be used for padding and not for MAX. The numeric range of 1 to 32 767 indicates a size to which an inserted segment will be padded when the compression of that segment results in a length somewhat less than the PAD value.

For segment edit/compression of DEDB

routinename

Specifies the z/OS load module name of the user-supplied segment edit/compression exit routine. The routine name is required.

DATA

Specifies that only the user data part of the segment is compressed. DATA is the default.

Restriction: The KEY parameter is not supported for DEDB. If you specify the KEY parameter, an error message is issued.

INIT

Allows the segment compression exit routine to gain control immediately after the first area in the database is opened and returns control immediately before the last area in the database is closed. As long as the segment length is within the values specified, no errors occur while checking the field qualification for segment compression or expansion.

Restriction: The EDITPROC clause is prohibited on DEDB tables containing a unique key field located at the end of the table.

LPARENT *table_name* {VIRTUAL | PHYSICAL}

Specifies the logical parent of the table being defined.

table_name

Specifies the IMS internal table name and the name of the logical parent of the table being defined. If the logical parent resides within the same database then you may just specify the table name. If the logical parent resides in a different database then you must specify both the database and table name, such as "database_name.tablename".

VIRTUAL | PHYSICAL

Specifies whether the concatenated key of the logical parent (LPCK) is stored as a part of the logical child segment. Specify the parameter only for logical child segments. If PHYSICAL is specified, the LPCK is stored with each logical child segment. If VIRTUAL is specified, the LPCK is not stored in the logical child segment. PHYSICAL must be specified for a logical child segment whose logical parent is in a HISAM database. It must be specified also for a logical child segment that is sequenced on its physical twin chain through use of any part of the concatenated key of the logical parent.

- PHDAM and PHIDAM
 - PHYSICAL is the default for PHDAM and PHIDAM.
 - If VIRTUAL is specified for PHDAM or PHIDAM, it is ignored, and PHYSICAL is used.
- HDAM and HIDAM
 - VIRTUAL is the default for HDAM and HIDAM.
 - Symbolic pointers in HDAM and HIDAM databases use the LPCK and require the PHYSICAL specification.

Keyword parameters for CREATE TABLE data capture changes (change_syntax)

The following keyword parameters are defined for the CREATE TABLE data capture changes (change_syntax) statement:

DATA CAPTURE

When DATA CAPTURE is specified on the CREATE DATABASE statement, these options apply to all tables within the physical database. If you specify this parameter in the CREATE or ALTER TABLE statement, it overrides the specification for this statement.

The following physical databases support DATA CAPTURE:

- HISAM
- SHISAM
- HDAM
- PHDAM
- HIDAM
- PHIDAM
- DEDB

NONE

Indicates no data capture options.

CHANGES

You can specify any number of exit routines, each with its own set of change options. If you do not provide an exit routine, they can only specify 1 set of change options for logging. This method is equivalent to specifying an asterisk (*) in place of an exit routine name on the EXIT= parameter in a DBD macro statement. Each set is separated by a comma. NOCASCADE is mutually exclusive with any combination of the C* (for example, CKEY) options.

The following options are valid for DATA CAPTURE CHANGES:

NOBEFORE | BEFORE

Before data is included in X'99' log records for REPL calls. NOBEFORE is the default. This attribute is valid only for DEDB.

CDATA | CNODATA

Passes segment data to the exit routine for a cascade delete. CDATA also identifies the segment being deleted when the physical concatenated key is unable to do so. This attribute is mutually exclusive with NOCASCADE.

CKEY | CNOKEY

Passes the physical concatenated key to the exit. This key identifies the segment being deleted by a cascade delete. This attribute is mutually exclusive with NOCASCADE.

CNOPATH | CPATH

Indicates the exit routine does not require segment data in the physical root's hierarchical path. Use CNODATA to eliminate the substantial amount of path data needed for a cascade delete. This attribute is mutually exclusive with NOCASCADE.

DATA | NODATA

DATA specifies that the physical table data is passed to the exit routine for updating. When DATA is specified and an EDITPROC exit routine is also used on a table, the data passed is expanded data. DATA is the default.

NODLET | DLET

X'99' log records are written for DLET calls. NODLET is the default. This attribute is valid only for DEDB.

exitname

Specifies the name of the exit routine that processes the data. The name must match the name of a Data Capture exit routine as defined by the user to IMS. A maximum of 8 alphanumeric characters is allowed.

KEY | NOKEY

KEY specifies the exit routine is passed the physical concatenated key. This key identifies the physical table updated by the application. KEY is the default.

NOCASCADE

Indicates the exit routine is not called when DL/I deletes this segment. Cascade delete is not necessary when a segment without dependents is deleted.

NOFLD | FLD

The FLD option requests that updates made by a DEDB FLD call be captured. This option is valid only for a DEDB, and this information is logged only in the X'9904' log records if the option log is specified. This information is not passed to the data capture exit. This attribute is valid only for DEDB.

NOINPOS | INPOS

The INPOS option requests that twin data be passed when an ISRT is done for an unkeyed or non-unique keyed segment when an insert rule of HERE is used and the F or L command code is not used. The twin data IMS is positioned on at the time before the ISRT will be captured.

NOLOG | LOG

The LOG option requests that the data capture control blocks and data be written to the IMS system log.

For more information, see [Asynchronous data propagation \(System Programming APIs\)](#).

NOPATH | PATH

NOPATH indicates the exit routine does not require data from tables in the physical root's hierarchical path. NOPATH is an efficient way to avoid the processing time needed to retrieve path data. NOPATH is the default.

PATH can be specified when the data from each segment in the physical root's hierarchical path must be passed to the exit routine for an updated segment. Use PATH to allow an application to separately access several segments for insertion, replacement, or deletion.

You can use the PATH option when information from tables in the path is needed to compose the DB2® for z/OS primary key. The DB2 for z/OS primary key would then be used in a propagation request for a dependent table update. Typically, you need this kind of table information when the parent contains the key information and the dependent contains additional data that would not fit in the parent table.

You can also use PATH when additional processing is necessary. It could be that you are not accessing several tables with one call; for example, you did not invoke the D command code. In this case, additional processing is necessary if the application is to access each table with a separate call.

NOSSPCMD | SSPCMD

The SSPCMD option requests that DEDB subset pointer command codes are captured. This option is valid for DEDBs only.

Keyword parameters for CREATE TABLE (column-definition)

The following keyword parameters are defined for the CREATE TABLE (column-definition) statement:

column_name

column_name represents the external name that is stored only in the IMS catalog, not in the database that you are defining. Specify an external name as a 1- to 128-character uppercase alphanumeric string. An external name can include underscore characters. Column names must be unique within a segment.

Restriction: Column names cannot be reserved SQL keywords or begin with DFS.

For a list of the reserved SQL keywords that are restricted by the IMS Universal drivers, see [Portable SQL keywords restricted by the IMS Universal JDBC drivers \(Application Programming\)](#).

INTERNALNAME *internalname*

Specifies the name of this field within a segment type. The name can be referred to by an application program in a DL/I call SSA. Field names must be unique within a segment definition. The fldname1 value must be a 1- to 8-character alphanumeric value. The INTERNALNAME parameter is required on the following types of fields:

- Key-sequenced field types, which specify the SEQ parameter
- Field types that are referenced by a segment search argument (SSA)
- Field types that are referenced by a PSB as a sensitive field.
- Field types that are referenced by an XDFLD

For other field types, you can omit the INTERNALNAME parameter. Omitting the INTERNALNAME parameter can save storage in the data management block (DMB) of a database. However, to be able to search on this field, you must specify the INTERNALNAME parameter. The INTERNALNAME parameter cannot be specified on the following types of fields:

- Fields that are defined as arrays. A field that is defined as an array includes ARRAY in the field definition.
- Fields that are defined as array elements. A field that is an array element specifies the name of an array field on the IN keyword in the column.
- Fields that are defined as structures that contain one or more nested dynamic arrays. A field that is defined as a structure includes STRUCT in the column.
- Fields that are contained in a structure that also contains a dynamic array. A field that is contained within a structure specifies the name of the structure field on the IN keyword in the column.
- Fields that follow a dynamic array in a segment. A field that follows a dynamic array specifies the STARTAFTER parameter.
- Fields that include the RELSTART parameter to specify a starting position that is relative to the starting position of another field.
- Fields that are defined with XML.

The INTERNALNAME parameter must be specified for /CK and /SX columns. When specifying /CK or /SK names, they must be enclosed in double quotes ("").

- HSAM, SHSAM, INDEX, PSINDEX, and DEDB do not allow /CK or /SX columns.
- HISAM and SHISAM only allow /CK columns.

- HDAM, HIDAM, PHDAM, and PHIDAM allow /CK and /SX columns.

Keyword parameters for datatype

The following keyword parameters are defined for the CREATE TABLE (datatype) statement:

ARRAY | BINARY | ...

If DECIMAL is specified on the DATATYPE parameter, the default INTERNAL TYPECONVERTER is signed PACKEDDECIMAL.

If DATE, TIME, or TIMESTAMP is specified, you can specify either LONG or CHAR on the INTERNAL TYPECONVERTER keyword or specify a USER TYPECONVERTER. INTERNAL TYPECONVERTER LONG is the default. When LONG is used, the value is stored on DASD as the number of milliseconds since January 1, 1970.

If XML is specified, the default INTERNAL TYPECONVERTER is XML_CLOB, which is the only valid value when XML is specified.

If STRUCT or ARRAY is specified, the default INTERNAL TYPECONVERTER is STRUCT or ARRAY, respectively, which are the only valid values when either one is specified.

For all other values for the data type, the value is used as the default INTERNAL TYPECONVERTER.

Valid values are:

ARRAY

When ARRAY is specified:

- The INTERNALNAME parameter is not supported
- The byte value specified on either the BYTES or MAXBYTES parameter must be equal to or greater than the sum total of the bytes of all fields contained in the array.

You cannot redefine a field that has been defined as an ARRAY or that contains an ARRAY.

A field that is defined as an array includes ARRAY in the field definition.

A field that is an array element specifies the name of an array field on the IN keyword in the column.

BINARY

BINARY can be specified with TYPE P or TYPE X. It defaults to a column size of 1 byte, however you can specify your own size using the MAXBYTES keyword.

BIT

If you specify BIT, you set a column size of 1 byte. If you specify MAXBYTES you can only specify a value of 1.

BYTE

If you specify BYTES, you set a column size of 1 byte. If you specify MAXBYTES you can only specify a value of 1.

UBYTE

If you specify UBYTE, you set a column size of 1 byte. If you specify MAXBYTES you can only specify a value of 1.

CHAR

If you specify CHAR, the default column size of 1 byte. You can specify the actual column size by including the value in parens next to CHAR or on the MAXBYTES keyword. For example: CHAR(8).

DATE

When DATE is specified, you can only specify MAXBYTES 8, unless you also specify a column definition that includes either INTERNAL TYPECONVERTER CHAR or USER TYPECONVERTER *convertername*.

DECIMAL(*pp,ss*)

pp

Precision. A 1- to 2-byte numeric field greater than 0.

SS

Scale. A 1- to 2-byte numeric field greater than or equal to 0. The value specified for *ss* cannot be greater than the value of *pp*.

You must specify a value on the BYTES parameter that matches the decimal format that is used.

The default decimal format is signed packed decimal. To calculate the required value of the BYTES parameter for the signed packed decimal format, use the following formula: $length = \text{ceiling}((pp + 1) / 2)$

The default decimal format can be changed by specifying the INTERNAL TYPECONVERTER parameter.

When the zoned decimal format is used, as specified by INTERNAL TYPECONVERTER ZONEDDECIMAL, use the following formula to calculate the value of the BYTES parameter: $length = pp$

DOUBLE

If you specify DOUBLE, you can only specify MAXBYTES 8.

FLOAT

If you specify FLOAT, you can only specify MAXBYTES 4.

INT

If you specify INT, you can only specify MAXBYTES 4.

UINT

If you specify UINT, you can only specify MAXBYTES 4.

LONG

If you specify LONG, you can only specify MAXBYTES 8.

ULONG

If you specify ULONG, you can only specify MAXBYTES 8.

OTHER

Specifies the use of a user-defined data type. When OTHER is specified, a column definition must also be specified with a user-provided type converter specified on the USER TYPECONVERTER parameter.

SHORT

If you specify SHORT, you can only specify MAXBYTES 2.

USHORT

If you specify USHORT, you can only specify MAXBYTES 2.

STRUCT

When STRUCT is specified, you cannot define this column as a primary key if the structure contains a dynamic array. Dynamic arrays are defined with a data type of ARRAY and the DEPENDSON and MAXBYTES keywords.

Also, the byte value specified on either the BYTES or MAXBYTES parameter must be equal to or greater than the sum total of the bytes of all fields contained in the structure.

TIME

When TIME is specified, you can only specify MAXBYTES 8, unless you also specify a column definition that includes either INTERNAL TYPECONVERTER CHAR or USER TYPECONVERTER *convertername*.

TIMESTAMP

When TIMESTAMP is specified, you can only specify MAXBYTES 8, unless you also specify a column definition that includes either **INTERNAL TYPECONVERTER CHAR** or **USER TYPECONVERTER** *convertername*.

XML

Restriction: XML is not supported when the INTERNALNAME keyword is specified or for columns defined as a primary key.

Keyword parameters for CREATE TABLE (ims-column-syntax)

The following keyword parameters are defined for the CREATE TABLE (ims-column-syntax) statement:

BYTES *bytes*

Specifies the length of the field being defined in bytes. For fields other than system-related fields, BYTES must be a valid self-defining term whose value does not exceed 255.

If a concatenated key or a portion of a concatenated key of an index source segment type is defined as a system-related field, the value specified can be greater than 255, but must not exceed the length of the concatenated key of the index source segment.

A case in which the byte length can be greater than 255 is when the column is defined as not searchable by IMS. These columns cannot be defined as primary keys and cannot have the NAME keyword specified.

The length of a /SX system-related field is always 4 bytes; therefore, when specified, the BYTES parameter is disregarded.

If this field is defined as either a structure or an array by STRUCT or ARRAY, the value specified on BYTES must be greater than or equal to the sum total of the bytes of all fields contained in the structure or array.

When XML, the BYTES parameter is optional and the valid values for BYTES range from 0 to the maximum size of the segment. If the BYTES parameter is omitted when XML, BYTES and MAXBYTES are not allowed.

CCSID *encoding*

An optional 1- to 25-character field enclosed in single quotation marks that specifies the encoding of the character data in the column. It is valid only when the INTERNAL TYPECONVERTER is CHAR.

The value specified cannot contain the following characters:

- Single and double quotation marks
- Blanks
- Less than (<) and greater than (>) symbols
- Ampersands (&)

If not specified on for the column, the default value is determined by the value specified on either the table or, if not specified on the table, the database. If the parameter is not specified on either the table or database, the default value is Cp1047, which specifies EBCDIC encoding.

DEPENDSON

Specifies the name of a field that defines the number of elements in a dynamic array. The column of the referenced field must precede the FIELD statement that specifies the DEPENDSON parameter.

The DEPENDSON parameter is valid only when ARRAY is also specified. DEPENDSON is required if the values of MINOCCURS and MAXOCCURS are different.

The field referenced by the DEPENDSON parameter must be defined with one of the following datatype of XML values:

- INT
- SHORT
- LONG
- UINT
- USHORT
- ULONG
- DECIMAL with either (pp) or (pp,ss) specified, where ss is either 0 or 00.

TYPE {**C** | **X** | **P**}

Determines the type of character that IMS uses to mask or pad the data in this field.

C

Specifies alphanumeric data or a combination of types of data. When C is specified, if IMS needs to fill unused bytes in the field, IMS left justifies the value and fills the unused bytes to the right of the value with X'40'. For example, a 3-byte value X'F5F4F3' in a 5-byte field is written out as X'F5F4F34040'.

X

Specifies hexadecimal data. When X is specified, if IMS needs to fill unused bytes in the field, IMS right justifies the value and fills the unused bytes to the left of the value with X'00'. For example, a 3-byte value X'543210' in a 5-byte field is written out as X'0000543210'.

P

Packed decimal data. When P is specified, if IMS needs to fill unused bytes in the field, IMS right justifies the value and fills the unused bytes to the left of the value with X'00'. For example, a 3-byte value X'54321C' in a 5-byte field is written out as X'000054321C'.

MAXBYTES *max_array_bytes*

Specifies the maximum size of a field in bytes when the byte-length of the field instance can vary based on the number of elements in a dynamic array. MAXBYTES and BYTES are mutually exclusive.

The value of MAXBYTES must be greater than or equal to the maximum total of the byte values of all fields nested under this field.

The MAXBYTES parameter is required and valid only in the following cases:

- The field is defined as a dynamic array. A field is a dynamic array when the number of elements in the array can vary from one instance of the field to another. In the definition of a dynamic array, the DEPENDSON parameter references another field in the segment definition that defines the number of array elements for an instance of the dynamic array.
- For a field defined as a static array or a structure that contains a nested field that is defined as a dynamic array.

IN *column_name*

Specifies the name of a field that is defined as a structure or array in which this field is contained. The referenced field must be defined with either DATATYPE=ARRAY or DATATYPE=STRUCT.

INTERNAL TYPECONVERTER

Specifies the internal conversion routine that IMS uses to convert the IMS data into the data types that are expected by the application program.

You can specify either **INTERNAL TYPECONVERTER** or **USER TYPECONVERTER**, but not both. **INTERNAL TYPECONVERTER** or **USER TYPECONVERTER** are mutually exclusive.

Valid values for the **INTERNAL TYPECONVERTER** parameter are:

ARRAY | BINARY | ...

If DECIMAL data type, the default **INTERNAL TYPECONVERTER** is signed PACKEDDECIMAL.

If DATE, TIME, or TIMESTAMP data type, you must specify either LONG or CHAR on the **INTERNAL TYPECONVERTER** keyword or specify a **USER TYPECONVERTER**. **INTERNAL TYPECONVERTER LONG** is the default. When LONG is used, the value is stored on DASD as the number of milliseconds since January 1, 1970.

If XML data type, the default **INTERNAL TYPECONVERTER** is XML_CLOB, which is the only valid value for XML.

If STRUCT or ARRAY data type, the default **INTERNAL TYPECONVERTER** is STRUCT or ARRAY, respectively, which are the only valid values.

For all other data types, the value is used as the default **INTERNAL TYPECONVERTER**.

Valid values are:

ARRAY

When ARRAY is specified:

- The **INTERNALNAME** parameter is not supported

- The byte value specified on either the **BYTES** or **MAXBYTES** parameter must be equal to or greater than the sum total of the bytes of all fields contained in the array.

You cannot redefine a field that has been defined as an ARRAY or that contains an ARRAY.

An array element specifies the name of the array on the IN keyword for the column.

BIT

If you specify **BIT**, you can only specify MAXBYTES 1.

BYTE

If you specify **BYTE**, you can only specify MAXBYTES 1.

UBYTE

If you specify **UBYTE**, you can only specify MAXBYTES 1.

CLOB

A Character Large Object is a collection of character data in a database management system.

DOUBLE

If you specify **DOUBLE**, you can only specify MAXBYTES 8.

FLOAT

If you specify **FLOAT**, you can only specify MAXBYTES 4.

INT

If you specify **INT**, you can only specify MAXBYTES 4.

UINT

If you specify **UINT**, you can only specify MAXBYTES 4.

LONG

If you specify **LONG**, you can only specify MAXBYTES 8.

ULONG

If you specify **ULONG**, you can only specify MAXBYTES 8.

SHORT

If you specify **SHORT**, you can only specify MAXBYTES 2.

USHORT

If you specify **USHORT**, you can only specify MAXBYTES 2.

XML_CLOB

Restriction: Datatype of XML is not supported when the **NAME** parameter is specified.

ZONEDDECIMAL

ZONEDDECIMAL is a data type extension for the IMS Universal JDBC driver and the IMS Universal DL/I driver. You need to specify datatype of XML.

The value that is specified on the **INTERNAL TYPECONVERTER** parameter must be consistent with the value specified as the column's data type. In most cases, you must specify the same value on **INTERNAL TYPECONVERTER** that you specify as the data type.

ISSIGNEDYES | ISSIGNEDNO

This parameter is valid only for a DECIMAL data type. The default is ISSIGNEDYES.

MINOCCURS *min_array_elements*

For ARRAY only, a required numeric value that specifies the minimum number of elements in an ARRAY. MINOCCURS must be lesser than or equal to MAXOCCURS.

MAXOCCURS *max_array_elements*

For ARRAY only, a required numeric value that specifies the maximum number of elements in an ARRAY. MAXOCCURS must be greater than or equal to MINOCCURS and not zero.

OVERFLOW *table_name*

A 1- to 8-character internal name of a dependent table that can be used to store any portion of an XML document that does not fit into the column that is defined to hold the XML document. The parent of the dependent table is the table that contains the XML data column. OVERFLOW applies only to columns that specify XML.

PATTERN

An optional 1- to 50-character field, enclosed in single quotation marks, that specifies the pattern to use for the date, time, and time stamp Java datatypes.

PATTERN applies only when DATE, TIME, or TIMESTAMP is specified as the data type and CHAR is specified on the INTERNAL TYPECONVERTER keyword. PATTERN is invalid for other datatypes.

Patterns are case-sensitive and must be enclosed in single quotation marks.

Except for single quotation marks that are used as delimiters for the keyword value, the value that is specified on the PATTERN keyword cannot contain the following characters:

- Single and double quotation marks
- Less than (<) and greater than (>) symbols
- Ampersands (&)

Patterns that you can specify are defined by the Java class `java.text.SimpleDateFormat`. DDL does not check that the value entered on PATTERN conforms to the patterns defined by Java.

For example, if you enter the Java format `yyyy.MM.dd`, the resulting time format is "2013.01.01".

PROPERTIES *name value*

Specifies properties for a user type converter that is specified on the USER TYPECONVERTER parameter. These properties are passed to the user type converter.

The PROPERTIES parameter is valid only when USER TYPECONVERTER is specified.

The names and properties that are specified on the PROPERTIES keyword are case-sensitive and must be enclosed in single quotation marks.

The following characters are not supported by the PROPERTIES keyword:

- Single and double quotation marks
- Blanks
- Less than (<) and greater than (>) symbols
- Ampersands (&)

The maximum length for a property name is 128 characters. The maximum length for a property value is also 128 characters.

The format is:

```
PROPERTIES ('name1' = 'value1' , 'name2' = 'value2')
```

For example,

```
PROPERTIES ('DOG' = 'BUTCH' , 'CAT' = 'LUCY')
```

RELSTART *relative_start_position*

Specifies the starting position of a field that is defined as an element of an array or, in some circumstances, a structure. Valid values are from 1 to 32767.

The value specified on RELSTART is the starting byte offset of the field relative to the start of the array or structure. For example, the first field in an array would typically specify RELSTART 1, even if the array that contains the field starts at byte 50 of a segment.

For fields that specify an array field as a parent, RELSTART is required.

For fields that specify a structure as a parent, RELSTART is required if the structure field is defined with RELSTART or STARTAFTER.

In the following example, the field DYNARRAY is a dynamic array. The field STRUCT01 is a structure. The fields FLD03 and FLD04 both specify STRUCT01 as a parent. Because a dynamic array precedes STRUCT01 in the segment, the starting offsets of FLD03 and FLD04 can be specified only relative to the start of STRUCT01.

```

FIELD EXTERNALNAME=ARRAYNUM, DATATYPE=DECIMAL(7,0), START=1, BYTES=4
FIELD EXTERNALNAME=DYNARRAY, DATATYPE=ARRAY, START=5, MAXBYTES=100
      MINOCCURS=10, MAXOCCURS=50, DEPENDSON=ARRAYNUM
FIELD EXTERNALNAME=FLD01, RELSTART=1, BYTES=2, PARENT=DYNARRAY
FIELD EXTERNALNAME=FLD02, STARTAFTER=DYNARRAY, BYTES=10
FIELD EXTERNALNAME=STRUCT01, DATATYPE=STRUCT, STARTAFTER=FLD02, BYTES=10
FIELD EXTERNALNAME=FLD03, RELSTART=1, BYTES=5, PARENT=STRUCT01
FIELD EXTERNALNAME=FLD04, RELSTART=6, BYTES=5, PARENT=STRUCT01

```

START, STARTAFTER, and RELSTART are mutually exclusive.

START *start_position*

Specifies the starting position of the field being defined in terms of bytes relative to the beginning of the segment. The value of START must be a numeric term whose value does not exceed 32767. The starting position for the first byte of a segment is one. For variable-length segments, the first 2 bytes contain the length of the segment. Therefore the first actual user data field starts in byte 3. Overlapping fields are permitted. When defining a logical child segment, the first *n* number of bytes of the segment type is the concatenated key of the logical or physical parent. A field starting in position one would define all or a portion of this field. A field starting in position *n*+1 would start with intersection data.

START can be used for a system-related field, to describe a portion of the concatenated key as a field in an index source segment type. If used in this way, START specifies the starting position of the relevant portion of the concatenated key relative to the beginning of the concatenated key. The first byte of the concatenated key is considered to have a position of one. It must be a numeric term whose value does not exceed the length of the concatenated key plus one. Subtract the value specified in the **BYTES** parameter. The starting position parameter for the /SX system-related field is disregarded.

START, STARTAFTER, and RELSTART are mutually exclusive.

When XML, the START parameter is optional and START 0 can be specified. If the START parameter is omitted when XML, START 0 is the default.

STARTAFTER *field_name*

When the starting byte offset of a field cannot be calculated because the field starts after a dynamic array, specifies the name of the field that directly precedes this field in the segment. The name cannot be the name provided on the NAME keyword.

STARTAFTER is required and valid only when the starting position of a field cannot be calculated because the field is preceded at a prior offset by a field defined as a dynamic array.

Dynamic arrays make it impossible to calculate the starting offsets of subsequent fields in a segment, because the byte lengths of dynamic arrays can vary from one instance of a segment to another. The columns of dynamic array fields can be identified by the inclusion of the DEPENDSON and MAXBYTES parameters.

The STARTAFTER parameter cannot be specified on fields that define an array field as a parent. Instead, specify the RELSTART parameter.

START, STARTAFTER, and RELSTART are mutually exclusive.

The STARTAFTER data is not returned if the GUR application is using IMS Universal Drivers (UDB).

URL *xml_schema_url*

An optional 1- to 256-character field, enclosed in single quotation marks, for the URL that references the XML schema that describes this field.

For example,

```
URL 'MySchema.xsd'
```

The value that is specified on the URL keyword cannot contain the following characters:

- Single and double quotation marks
- Blanks

- Less than (<) and greater than (>) symbols
- Ampersands (&)

The URL parameter applies only with XML for XML_CLOB data.

USER TYPECONVERTER *typeconverter*

Specifies a 1- to 256-character, enclosed in single quotation marks, fully qualified Java class name of the user-provided Java class to be used for type conversion.

For example,

```
USER TYPECONVERTER 'class://com.ibm.ims.dli.types.PackedDateConverter'
```

The value that is specified on the USER TYPECONVERTER keyword cannot contain the following characters:

- Single and double quotation marks
- Blanks
- Less than (<) and greater than (>) symbols
- Ampersands (&)

USER TYPECONVERTER is mutually exclusive with INTERNAL TYPECONVERTER.

Keyword parameters for CREATE TABLE (inline-constraints)

The following keyword parameters are defined for the CREATE TABLE (inline-constraints) statement:

CONSTRAINT *constraint_name*

Names the constraint. If a constraint name is not specified, a unique constraint name is generated. If the name is specified, it must be different from the names of any constraints previously specified on the table.

PRIMARY KEY NON UNIQUE

Identifies this field as a sequence field in the segment type.

NON UNIQUE

An optional keyword that indicates that duplicate values are allowed in the sequence field of occurrences of the segment type. For a root segment type, the sequence field of each occurrence must contain a unique value, except in HDAM. The root segment type in an HDAM database does not need a key field; if a key field is defined, it does not have to be unique.

If not specified, only unique values are allowed in the sequence field of occurrences of the segment type. For a dependent segment type, the sequence field of each occurrence under a given physical parent segment must contain a unique value.

Keyword parameters for CREATE TABLE (constraint)

The following keyword parameters are defined for the CREATE TABLE (constraint) statement:

CONSTRAINT *constraint_name*

Names the constraint. If a constraint name is not specified, a unique constraint name is generated. If the name is specified, it must be different from the names of any constraints previously specified on the table.

PRIMARY KEY(*column_name*) NON UNIQUE

Identifies this field as a sequence field in the segment type.

NON UNIQUE

An optional keyword that indicates that duplicate values are allowed in the sequence field of occurrences of the segment type. For a root segment type, the sequence field of each occurrence must contain a unique value, except in HDAM. The root segment type in an HDAM database does not need a key field; if a key field is defined, it does not have to be unique.

If not specified, only unique values are allowed in the sequence field of occurrences of the segment type. For a dependent segment type, the sequence field of each occurrence under a given physical parent segment must contain a unique value.

Keyword parameters for CREATE TABLE (references-clause)

The following keyword parameters are defined for the CREATE TABLE (references-clause) statement:

FOREIGN KEY REFERENCES

For dependent segment types, specifies the name of this segment's physical parent.

REFERENCES *table_name*

Specifies the dependent segments parent segment and is the IMS external table name.

Keyword parameters for CREATE TABLE (map-definition)

The following keyword parameters are defined for the CREATE TABLE (map-definition) statement:

MAP

A map definition must be preceded by a column definition. The MAP statement enables the alternate mapping of columns within a table. A group of one or more CASE statements that relate to a control column is nested within the table. The control column identifies which CASE is used in a table instance.

column_name

The external name of the column within this table that contains the value that determines which map case is used for a segment instance. If the column does not contain a value that corresponds to a *caseid* value in a CASE statement for this map, this map is not being used for this table instance.

AS *map_name*

An optional 1- to 128-character alphanumeric field that defines the name of this map. If not provided, IMS will automatically generate a unique name within this table. The DFS prefix is reserved by IMS and cannot be part of a user-created name.

Keyword parameters for CREATE TABLE (case-definition)

The following keyword parameters are defined for the CREATE TABLE (case-definition) statement:

CASE

The CASE statement defines a map case, which is a set of columns that define an optional, alternative field layout for a particular byte range within a table.

Map cases that map the same byte range in a segment are grouped by a MAP statement. The MAP statement also links the map cases to a separately defined control field in the table definition.

Each map case has a unique ID. In an instance of the table, the ID of the map case that is in effect is stored in the control field when the segment is created.

Unless the IMS Universal drivers are used, the field layouts that are defined by the map cases must be defined to the application programs that access this byte range by a COBOL copybook or other programming artifact. When a table instance is accessed, the application programs determine which copybook to use by checking the value of the control field.

When application programs access IMS through the IMS Universal drivers, no additional programming artifacts are needed to define the field layouts to the application programs.

caseid

A 1- to 128 byte field that defines a unique character or hex string. A table instance specifies the *caseid* value in a user-defined control field when part or all of the field structure of the segment is mapped by this case.

When specified as a character string the value must be specified within single quotes, for example: ' name01 '. When specified as a hex string the value must be specified within single quotes followed by a hex indicator, for example: ' 00000001 ' x.

The *caseid* value can contain alphanumeric characters, underscore (`_`), `@`, `$`, and `#`. Or, it can be a hexadecimal string. The length of the value must be supported by the length of the user-defined control field. If alphanumeric, the length of the value must be less than or equal to the value specified on the BYTES parameter of the control field. If it is a hexadecimal string, the length of the CASEID value must be exactly equal to twice the value that is specified on the BYTES parameter of the control field.

A case ID must be unique within the map that the case belongs to.

AS case_name

An optional 1- to 128-character alphanumeric field that defines the name of this case. A case name must be unique within a table. If not provided, IMS will automatically generate a unique name within this table. The DFS prefix is reserved by IMS and cannot be part of a user-created name.

Keyword parameters for CREATE TABLE (lchild)

The following keyword parameters are defined for the CREATE TABLE (lchild syntax) statement:

lchild_definition

Must be preceded by a column-definition.

database_name.table_name

The **table_name** parameter specifies the IMS internal name of the logical child, index pointer, index target, HIDAM or PHIDAM root segment type that is to be associated with the segment type defined by a preceding TABLE. The **database_name** parameter is the name of the database that contains the segment type specified in the **table_name** parameter. The **database_name** parameter can be omitted when the **table_name** parameter is defined in this database.

The **database_name** parameter must be one- to eight-character alphanumeric values. The **table_name** parameter must be one- to 128-character alphanumeric values.

SINGLE|DOUBLE|NONE|INDEX|SYMBOL

Specifies the pointers used in logical or index relationships. When omitted from any index database generation, SINGLE is the default. You must specify INDEX or SYMBOL for any LCHILD statement following an index target segment type; no default is provided for this part of the index relationship. When omitted from an LCHILD statement which establishes a unidirectional or physically paired bidirectional logical relationship, NONE is the default. When omitted or specified as NONE for an LCHILD statement which establishes a virtually paired bidirectional logical relationship, SINGLE is the default.

Restriction:

- For PHDAM and PHIDAM databases, only the operands INDEX and NONE are supported. All other operands are treated as if errors are present.
- For DEDB secondary index databases, only the SYMBOL operand is supported.

SINGLE

Is used for logical relationships, or index relationships implemented with direct address pointers. Specifies that a logical child first pointer field is to be reserved in each occurrence of the segment type defined by the preceding TABLE. When the preceding TABLE defines a logical parent, the pointer field contains a direct address pointer to the first occurrence of a logical child segment type. When the preceding TABLE defines the HIDAM Primary index database segment type, the pointer field contains a direct address pointer to a HIDAM database root segment. When the preceding TABLE defines an index pointer segment type in a secondary index database, the pointer field contains a direct address pointer to an index target segment.

DOUBLE

Is used to specify two 4-byte pointer fields, logical child first and logical child last, reserved in the logical parent segment. The two pointers point to the first and last occurrences of logical child segment type under a logical parent. The logical child last pointer is of value when the logical child is not sequenced and the rules parameter is LAST.

NONE

Should be used when the logical relationship from the logical parent to the logical child segment is not implemented or not implemented with direct address logical child pointers. In this case, the relationship from logical parent to logical child does not exist or is maintained by using physically paired segments. No pointer fields are reserved in the logical parent segment.

INDEX

Is specified on the LCHILD statement in a HIDAM database used to establish the index relationship between the HIDAM root segment type and the HIDAM Primary index during a HIDAM database DBD generation. INDX can also be specified on the LCHILD statement in the DBD for the target database that establishes the index relationship between an index target segment type and a secondary index. In these cases, omit the parameter or specify SINGLE on the LCHILD statement of the primary or secondary index DBD. An LCHILD statement for a HIDAM primary index must precede the LCHILD statements for secondary indexes.

Requirement: If the target database is a HALDB, the index database must be defined as a HALDB index by use of the PSINDEX parameter in the DBD statement ACCESS parameter.

SYMBOL

Can be used in the DBD generation for the target database of a secondary index to specify that the concatenated keys of the index target segments are to be placed in the index pointer segments in lieu of a direct pointer. You must specify SYMBOL when the index target segment type is in a HISAM database. SYMBOL is optional when the index target segment type is in an HDAM or HIDAM database.

An additional use of the SYMBOL parameter in the INDEX DBD is to prevent reserving space in the prefix of index pointer segments for the 4-byte direct address index target segment pointer that is not used when the index pointer is symbolic.

PAIR

Is specified for bidirectional logical relationships only. The provide name is the logical child segment/table that is, physically or virtually, paired with the logical child segment/table specified on the LCHILD statement. The name must be a 1- to 128-character alphanumeric value.

Restriction: This parameter is not allowed for virtual pairing when using PHDAM and PHIDAM databases, because they only support physical pairing.

INDEXFIELD

Is specified on LCHILD statements for an Index DBD generation only. It specifies the name of the sequence field of a HIDAM root segment type during DBD generation of the primary index for a HIDAM database, or the name of an indexed field, defined through an XDFLD statement in an index target segment type during DBD generation of a secondary index database. This parameter is not needed for a primary index of a PHIDAM database.

RKSIZE

Specifies the root key size of the target database. This parameter is for partitioned secondary index (PSINDEX) databases only, and is invalid for any other database type. (Required in DBD source, optional in DDL).

FIRST|LAST|HERE

Is used for logical relationships when no sequence field or a nonunique sequence field has been defined for a virtual logical child. Under these conditions, the rule of FIRST, LAST, or HERE controls the sequence in which occurrences of the real logical child in the logical relationship are sequenced from the logical parent through logical child and logical twin pointers (this establishes the logical twin sequence).

Restriction: This parameter is not allowed for virtual pairing when using PHDAM and PHIDAM databases, because they only support physical pairing.

FIRST

Indicates that, if no sequence field is specified for the logical child, a new occurrence is inserted before the first existing occurrence of the logical child. If a nonunique sequence field is specified for the logical child, a new occurrence is inserted before all existing occurrences with the same key.

LAST

Indicates that, if no sequence field is specified for the logical child, a new occurrence is inserted after the last existing occurrence of the logical child. If a nonunique sequence field is specified for the logical child, a new occurrence is inserted after all existing occurrences with the same keys. LAST is the default option.

HERE

Indicates that the insert is dependent on the position established by the previous DL/I call. If no sequence field is defined, the segment is inserted before the logical twin that position was established on through the previous call. If no position was established by a previous call, the new twin is inserted before all existing logical twins. If a nonunique sequence field is defined, the segment is inserted before the logical twin with the same sequence field value on which position was established by a previous call. If no position was established on a logical twin with the same sequence field value, the segment is inserted before all twins with the same sequence field value.

When a new occurrence of a logical child is inserted from its physical parent, no previous position exists for the logical child on its logical twin chain. Therefore, the new occurrence is placed before all existing occurrences on the logical twin chain when no sequence field has been defined, or before all existing occurrences with the same sequence field value when a nonunique sequence field has been defined.

A command code of L (last) takes precedence over the insert rule specified, causing a new occurrence to be inserted according to the insert rule of LAST, for insert calls issued against a logical path.

Keyword parameters for CREATE TABLE (xdfld)

The following keyword parameters are defined for the CREATE TABLE (xdfld syntax) statement:

xdfld_definition

Must be preceded by a lchild-definition.

xdfld_name

Specifies the name of the indexed data field of an index target segment. The name specified actually represents the search field of an index pointer segment type as being a field in the index target segment type. You can use the name specified to qualify SSAs of calls for an index target segment type through the search field keys of index pointer segments. This enables accessing occurrences of an index target segment type through a primary or secondary processing sequence based on data contained in a secondary index. fldname must be a 1- to 26-character alphanumeric value.

Since the name specified is used to access occurrences of the index target segment type based on the content of a secondary index, the name specified must be unique among all field names specified for the index target segment type.

INTERNALNAME

Optional IMS internal name. Must be a 1- to 8-character alphanumeric value.

SEGMENT

Specifies the index source segment type for this secondary index relationship. Must be the name of a subsequently defined segment type, which is hierarchically below the index target segment type or it can be the name of the index target segment type itself. The segment name specified must not be a logical child segment. If this parameter is omitted, the index target segment type is assumed to be the index source segment.

CONST

Specifies a character with which every index pointer segment in a particular secondary index is identified. This parameter is optional. The purpose of this parameter is to identify all index pointer segments associated with each secondary index when multiple secondary indexes reside in the same secondary index database. Must be specified as a 1-byte hexstring term, for example X'F9'.

Restriction: CONST is not supported for HALDB or DEDB databases.

SRCH

Specifies which field or fields of the index source segment you must use as the search field of a secondary index. `list1` must be a list of one to five field names defined in the index source segment type by column definitions. If two or more names are included, they must be separated by commas and enclosed in parentheses. The sequence of names in the list is the sequence in which the field values are concatenated in the index pointer segment search field. The sum of the lengths of the participating fields constitutes the index target segment indexed field length which must be reflected in segment search arguments.

SUBSEQ

Specifies which, if any, fields of the index source segment you must use as the subsequence field of a secondary index. `list2` must be a list of one to five field names defined in the index source segment by column definitions. If two or more names are included, they must be separated by commas and enclosed in parentheses. The sequence of names in the list is the sequence in which field values are concatenated in the index pointer segment subsequence field. This parameter is optional.

DDATA

Specifies which, if any, fields of the index source segment you must use as the duplicate data field of a secondary index. `list3` must be a list of one to five field names defined in the index source segment by column definitions. If two or more names are included, they must be separated by commas and enclosed in parentheses. The sequence of names in the list is the sequence in which field values are concatenated in the index pointer segment duplicate data field. This parameter is optional.

NULLVAL

Suppresses the creation of index pointer segments when the index source segment data used in the search field of an index pointer segment contains the specified value.

The value must be a 1-byte hex-string term. For example, `X'10'`, `X'40'` for blank, `X'00'` for zero. If a packed decimal value is required, it must be specified as a hexadecimal term with a valid number digit and zone or sign digit (`X'3F'` for a packed positive 3 or `X'9D'` for negative 9).

No indexing is performed when each field of the index source segment specified in the `SRCH` parameter has the value of this parameter in every byte. For example, if the `NULLVAL X'F9'` were specified, the associated index would have no entries indexed on the value `C'9999...9'`.

There is a slight difference in the case of packed fields. For packed fields, each field that composes the search field is considered to be a separate packed value. For example, if the `NULLVAL X'9F'` were specified in a case where the search field was composed of three 2-byte packed source fields, there would be no index entries with the search field value of `X'999F999F999F'` because all index entries containing a `X'9F'` would be suppressed.

Also, with the same `NULLVAL X'9F'`, if the search field were one 6-byte field, no indexing would be performed whenever the value of the search field was `X'99999999999F'`.

The only form of the sign that is checked is the form specified. For example, if `X'9C'` is specified, `X'9F'` does not cause suppression. If both the `NULLVAL` and the `EXTRTN` operands are specified, indexing of a segment is performed only if neither causes suppression.

EXTRTN

Specifies the name of a user-supplied index maintenance exit routine that is used to suppress the creation of selected index pointer segments. The parameter (`name1`) must be the name of a user-supplied routine which receives control whenever DL/I attempts to insert, delete or replace an index entry because of changes occurring in the indexed database. This exit routine can inspect the affected index source segment and decide whether an index pointer segment should be generated. If both the `NULLVAL` and the `EXTRTN` operands are specified, indexing of a segment is performed only if neither causes suppression.

Usage notes

This statement is equivalent to the `AREA` statement of the IMS DBD generation utility.

Example: COGDBD

```

DBD   NAME=COGDBD,                                C
      ENCODING=Cp1047,                             C
      ACCESS=(HDAM,OSAM),                          C
      RMNAME=(DFSHDC40,3,3,25),                    C
      PASSWD=NO
DATASET DD1=COGDATA,                              C
        DEVICE=3390,                              C
        SIZE=(8192)
SEGM  NAME=ROOT,                                  C
      PARENT=0,                                    C
      BYTES=(20),                                  C
      RULES=(LLL,HERE)
FIELD NAME=(ROOTKEY,SEQ,U),                       C
      BYTES=12,                                    C
      START=1,                                     C
      TYPE=C,                                       C
      DATATYPE=CHAR
FIELD NAME=TABTYPE,                               C
      BYTES=8,                                     C
      START=13,                                    C
      TYPE=C,                                       C
      DATATYPE=CHAR
SEGM  NAME=TSINT,                                  C
      PARENT=ROOT,                                 C
      BYTES=(8,6),                                 C
      REMARKS='This describes table TSINT.',      C
      RULES=(LLL,HERE)
FIELD NAME=RNUM,                                  C
      BYTES=4,                                     C
      START=3,                                     C
      DATATYPE=INT
FIELD NAME=LL,                                    C
      BYTES=2,                                     C
      START=1,                                     C
      DATATYPE=SHORT
FIELD NAME=CSINT,                                  C
      EXTERNALNAME=CSINT,                         C
      BYTES=2,                                     C
      START=7,                                     C
      DATATYPE=SHORT
SEGM  NAME=TINT,                                  C
      EXTERNALNAME=TESTINTEGER,                   C
      PARENT=ROOT,                                 C
      BYTES=(10,6),                                C
      REMARKS='This describes table TINT.',      C
      RULES=(LLL,HERE)
FIELD NAME=RNUM,                                  C
      BYTES=4,                                     C
      START=3,                                     C
      DATATYPE=INT
FIELD NAME=LL,                                    C
      BYTES=2,                                     C
      START=1,                                     C
      DATATYPE=SHORT
FIELD NAME=CINT,                                  C
      EXTERNALNAME=CINTEGER,                      C
      BYTES=4,                                     C
      START=7,                                     C
      DATATYPE=INT

```

```

CREATE DATABASE COGDBD
ACCESS HDAM OSAM
RMNAME(DFSHDC40 RMANCH 3 RMRBN 3 RMBYTES 25)
CCSID 'Cp1047';

```

```

CREATE TABLESPACE COGDATA
SIZE PRIMARY 8192;

```

```

CREATE TABLE TEST_ROOT (
  ROOT_KEY CHAR(12) INTERNALNAME ROOTKEY PRIMARY KEY ,
  TABLE_TYPE CHAR(8) INTERNALNAME TABTYPE
) IN COGDBD.COGDATA
INTERNALNAME ROOT
MAXBYTES 20
AMBIGUOUS INSERT HERE;

```

```

CREATE TABLE TEST_SHORT_INTEGER (
  TABLE_LENGTH SHORT INTERNALNAME LL,
  R_NUMBER INT INTERNALNAME RNUM,

```

```

        C_SHORT_INTEGER SHORT INTERNALNAME CSINT,
        FOREIGN KEY REFERENCES TEST_ROOT
) IN COGDBD.COGDATA
INTERNALNAME TSINT
MAXBYTES 8
MINBYTES 6
AMBIGUOUS INSERT HERE;

COMMENT ON TABLE TEST_SHORT_INTEGER IN COGDBD IS 'This describes table TSINT.';

CREATE TABLE TESTINTEGER (
TABLE_LENGTH SHORT INTERNALNAME LL,
R_NUMBER INT INTERNALNAME RNUM,
C_INTEGER INT INTERNALNAME CINT,
FOREIGN KEY REFERENCES TEST_ROOT
) IN COGDBD.COGDATA
INTERNALNAME TINT
MAXBYTES 10
MINBYTES 6
AMBIGUOUS INSERT HERE;

COMMENT ON TABLE TESTINTEGER IN COGDBD IS 'This describes table TINT.';

```

Example: Continuation of COGDBD with DECIMAL

```

SEGM      NAME=TDEC,                                C
          PARENT=ROOT,                               C
          BYTES=(10,6),                               C
          REMARKS='This describes table TDEC.',       C
          RULES=(LLL,HERE)
FIELD     NAME=RNUM,                                C
          BYTES=4,                                    C
          START=3,                                    C
          DATATYPE=INT
FIELD     NAME=LL,                                  C
          BYTES=2,                                    C
          START=1,                                    C
          DATATYPE=SHORT
FIELD     NAME=CDEC,                                C
          EXTERNALNAME=CDECIMAL,                     C
          BYTES=4,                                    C
          START=7,                                    C
          DATATYPE=DECIMAL(7,2)

CREATE TABLE TEST_DECIMAL (
TABLE_LENGTH SHORT INTERNALNAME LL,
R_NUMBER INT INTERNALNAME RNUM,
C_DECIMAL DECIMAL(7,2) INTERNALNAME CDEC,
FOREIGN KEY REFERENCES TEST_ROOT
) IN COGDBD.COGDATA
INTERNALNAME TDEC
MAXBYTES 10
MINBYTES 6
AMBIGUOUS INSERT HERE;

COMMENT ON TABLE TEST_DECIMAL IN COGDBD IS 'This describes table TDEC.';

```

Example: Continuation of COGDBD with DFSMARSH

```

SEGM      NAME=TNCHAR,                              C
          PARENT=ROOT,                               C
          BYTES=(38,6),                               C
          REMARKS='This describes table TNCHAR.',     C
          RULES=(LLL,HERE)
FIELD     NAME=RNUM,                                C
          BYTES=4,                                    C
          START=3,                                    C
          DATATYPE=INT
FIELD     NAME=LL,                                  C
          BYTES=2,                                    C
          START=1,                                    C
          DATATYPE=SHORT
FIELD     NAME=CNCHAR,                              C
          EXTERNALNAME=CNCHAREXT,                   C
          BYTES=32,                                   C
          START=7,                                    C
          DATATYPE=CHAR

```



```

FIELD      EXTERNALNAME=TABLEARRAY2,
           BYTES=4,
           START=226,
           TYPE=X,
           PARENT=TABLEARRAY,
           DATATYPE=CHAR
DFSMARSH  INTERNALTYPECONVERTER=CHAR
FIELD      EXTERNALNAME=TABLEARRAY3,
           BYTES=8,
           START=230,
           TYPE=X,
           PARENT=TABLEARRAY,
           DATATYPE=CHAR
DFSMARSH  INTERNALTYPECONVERTER=CHAR
...

```

```

CREATE TABLE hospital (
...
  tablearray ARRAY MAXBYTES 14 START 224 MINOCCURS 1 MAXOCCURS 1,
  tablearray1 CHAR(2) IN tablearray,
  tablearray2 CHAR(4) IN tablearray,
  tablearray3 CHAR(8) IN tablearray,
...
) IN DATABASE dedbjn21
INTERNALNAME hospital
MAXBYTES 900
AMBIGUOUS INSERT HERE

```

Example: Dynamic Arrays

```

FIELD EXTERNALNAME=ARRAYNUM,DATATYPE=DECIMAL(7,0),START=1,BYTES=4
FIELD EXTERNALNAME=DYNARRAY,DATATYPE=ARRAY,START=5,MAXBYTES=100
           MINOCCURS=10,MAXOCCURS=50,DEPENDSON=ARRAYNUM
FIELD EXTERNALNAME=FLD01,RELSTART=1,BYTES=2,PARENT=DYNARRAY
FIELD EXTERNALNAME=FLD02,STARTAFTER=DYNARRAY,BYTES=10
FIELD EXTERNALNAME=STRUCT01,DATATYPE=STRUCT,STARTAFTER=FLD02,BYTES=10

CREATE TABLE dynamic_array_table (
  arraynum DECIMAL(7,0)
  dynarray ARRAY MAXBYTES 100 MINOCCURS 10 MAXOCCURS 50 DEPENDSON arraynum,
  fld01 SHORT RELSTART 1 IN dynarray,
  fld02 CHAR(10) STARTAFTER dynarray,
  struct01 STRUCT BYTES 10 STARTAFTER fld02
) IN DATABASE dynarrdb
INTERNALNAME dynarrs;

```

Example: Maps

```

DFSMAP    NAME=MAP1,                                     C
           DEPENDINGON=CASENUM
~~~~~DFSCASE NAME=CASE1 redefines the schema for bytes 791 to 831.~~~~
DFSCASE   NAME=CASE1,                                     C
           CASEID=CASEONE,                               C
           CASEIDTYPE=C,                                 C
           MAPNAME=MAP1
FIELD     EXTERNALNAME=FIELDDB,                           C
           CASENAME=CASE1,                               C
           BYTES=20,                                     C
           START=791,                                    C
           DATATYPE=CHAR
FIELD     EXTERNALNAME=FIELD C,                            C
           CASENAME=CASE1,                               C
           BYTES=20,                                     C
           START=811,                                    C
           DATATYPE=CHAR
~~~~~DFSCASE NAME=CASE2 redefines the schema for bytes 831 to 855~~~~
DFSCASE   NAME=CASE2,                                     C
           CASEID=CASETWO,                               C
           CASEIDTYPE=C,                                 C
           MAPNAME=MAP1
FIELD     EXTERNALNAME=FIELD D,                           C
           CASENAME=CASE2,                               C
           BYTES=20,                                     C
           START=831,                                    C
           DATATYPE=CHAR
FIELD     EXTERNALNAME=CARDTYPE,                          C

```

```

        BYTES=4,
        START=851,
        DATATYPE=CHAR
    )
) IN DATABASE dedbjn21
INTERNALNAME customer
MAXBYTES 900

```

Example: Structs

```

FIELD NAME=(NAME),
    EXTERNALNAME=PAYEE_NAME,
    BYTES=20,
    START=11,
    DATATYPE=CHAR
DFSMARSH ENCODING=Cp1047,
INTERNALTYPECONVERTER=CHAR

FIELD EXTERNALNAME=INDIVIDUALNAME,
    BYTES=20,
    START=11,
    DATATYPE=STRUCT,
    REDEFINES=PAYEE_NAME,
    REMARKS='This is a STRUCT with lastname and firstname'

FIELD EXTERNALNAME=LASTNAME,
    BYTES=10,
    START=11,
    DATATYPE=CHAR,
    PARENT=INDIVIDUALNAME
DFSMARSH ENCODING=Cp1047,
INTERNALTYPECONVERTER=CHAR

FIELD EXTERNALNAME=FIRSTNAME,
    BYTES=10,
    START=21,
    DATATYPE=CHAR,
    PARENT=INDIVIDUALNAME
DFSMARSH ENCODING=Cp1047,
INTERNALTYPECONVERTER=CHAR

CREATE TABLE customer (
    ...
    payee_name CHAR(20) START 11 CCSID 'Cp1047',
    individualname STRUCT BYTES 20 START 11,
    lastname CHAR(10) IN individualname,
    firstname CHAR(10) IN individualname
) IN DATABASE dedbjn21
INTERNALNAME customer
MAXBYTES 900

COMMENT ON COLUMN customer.individualname IN dedbjn21 IS 'This is
a STRUCT with lastname and firstname'

```

Example: Continuation of Structs

```

FIELD EXTERNALNAME=PERSONAL_INFO,
    BYTES=184,
    START=156,
    DATATYPE=STRUCT

```



```

DFSMARSH INTERNALTYPECONVERTER=STRUCT

FIELD    EXTERNALNAME=ADDRESS,                C
          BYTES=184,                          C
          START=156,                           C
          MINOCCURS=2,                         C
          MAXOCCURS=2,                         C
          PARENT=PERSONAL_INFO,                C
          DATATYPE=ARRAY

FIELD    EXTERNALNAME=NAME_TYPE,              C
          BYTES=1,                             C
          RELSTART=1,                          C
          PARENT=ADDRESS,                      C
          DATATYPE=CHAR

FIELD    EXTERNALNAME=INDIVIDUAL_NAME,        C
          BYTES=20,                            C
          RELSTART=2,                          C
          PARENT=ADDRESS,                      C
          DATATYPE=STRUCT

FIELD    EXTERNALNAME=LAST_NAME,              C
          BYTES=12,                            C
          RELSTART=1,                          C
          PARENT=INDIVIDUAL_NAME,              C
          DATATYPE=CHAR

FIELD    EXTERNALNAME=FIRST_NAME,             C
          BYTES=8,                             C
          RELSTART=13,                         C
          PARENT=INDIVIDUAL_NAME,              C
          DATATYPE=CHAR

FIELD    EXTERNALNAME=ADDRESS_LINE2,          C
          BYTES=40,                            C
          RELSTART=22,                         C
          PARENT=ADDRESS,                      C
          DATATYPE=CHAR

FIELD    EXTERNALNAME=CITY,                   C
          BYTES=20,                            C
          RELSTART=62,                         C
          PARENT=ADDRESS,                      C
          DATATYPE=CHAR

FIELD    EXTERNALNAME=STATE,                  C
          BYTES=2,                             C
          RELSTART=82,                         C
          PARENT=ADDRESS,                      C
          DATATYPE=CHAR

FIELD    EXTERNALNAME=ZIP,                    C
          BYTES=9,                             C
          RELSTART=84,                         C
          PARENT=ADDRESS,                      C
          DATATYPE=CHAR

...
FIELD    EXTERNALNAME=COMPANY_CARDS,          C
          BYTES=200,                           C
          START=584,                           C
          DATATYPE=STRUCT

FIELD    EXTERNALNAME=CARDS,                  C
          BYTES=200,                           C
          START=584,                           C
          MINOCCURS=5,                         C
          MAXOCCURS=5,                         C
          PARENT=COMPANY_CARDS,                C
          DATATYPE=ARRAY

FIELD    EXTERNALNAME=COMPANY_NAME,           C
          BYTES=20,                            C
          RELSTART=1,                          C
          PARENT=CARDS,                        C
          DATATYPE=STRUCT

FIELD    EXTERNALNAME=CO_TYPE,                C
          BYTES=12,                            C
          RELSTART=1,                          C
          PARENT=COMPANY_NAME,                 C
          DATATYPE=CHAR

```

```

FIELD    EXTERNALNAME=NEW_TYPE,                C
         BYTES=12,                            C
         RELSTART=1,                          C
         REDEFINES=CO_TYPE,                   C
         PARENT=COMPANY_NAME,                 C
         DATATYPE=CHAR

FIELD    EXTERNALNAME=CO_NAME,                C
         BYTES=8,                              C
         RELSTART=13,                         C
         PARENT=COMPANY_NAME,                 C
         DATATYPE=CHAR

FIELD    EXTERNALNAME=EMPLOYEE_NAME,          C
         BYTES=20,                            C
         RELSTART=21,                         C
         PARENT=CARDS,                       C
         DATATYPE=STRUCT

FIELD    EXTERNALNAME=EMPLOYEE_LAST_NAME,     C
         BYTES=12,                            C
         RELSTART=1,                          C
         PARENT=EMPLOYEE_NAME,               C
         DATATYPE=CHAR

FIELD    EXTERNALNAME=EMPLOYEE_MAIDEN_NAME,   C
         BYTES=12,                            C
         RELSTART=1,                          C
         REDEFINES=EMPLOYEE_LAST_NAME,       C
         PARENT=EMPLOYEE_NAME,               C
         DATATYPE=CHAR

FIELD    EXTERNALNAME=EMPLOYEE_FIRST_NAME,    C
         BYTES=8,                              C
         RELSTART=13,                         C
         PARENT=EMPLOYEE_NAME,               C
         DATATYPE=CHAR

```

```

CREATE TABLE employee (
  ""
  personal_info STRUCT BYTES 184 START 156,
  address ARRAY BYTES 184 START 156 MINOCCURS 2 MAXOCCURS 2 IN personal_info,
  name_type CHAR RELSTART 1 IN address,
  individual_name STRUCT BYTES 20 RELSTART 2 IN address,
  last_name CHAR(12) RELSTART 1 IN individual_name,
  first_name CHAR(8) RELSTART 13 IN individual_name,
  address_line2 CHAR(40) RELSTART 22 IN address,
  city CHAR(20) RELSTART 62 IN address,
  state CHAR(20) RELSTART 82 IN address,
  zip CHAR(9) RELSTART 84 IN address,
  company_cards STRUCT BYTES 200 START 584,
  cards ARRAY BYTES 200 START 584 MINOCCURS 5 MAXOCCURS 5 IN company_cards,
  company_name STRUCT BYTES 20 RELSTART 1 IN cards,
  co_type CHAR(12) RELSTART 1 IN company_name,
  new_type CHAR(12) RELSTART 1 IN company_name,
  co_name CHAR(8) RELSTART 13 IN company_name,
  employee_name STRUCT BYTES 20 RELSTART 21 IN cards,
  employee_last_name CHAR(12) RELSTART 1 IN employee_name,
  employee_maiden_name CHAR(12) RELSTART 1 IN employee_name,
  employee_first_name CHAR(8) RELSTART 13 IN employee_name
) IN dedbjn21
INTERNALNAME employee
MAXBYTES 900

```

Example: Logical relationships EMPDB2

```

DBD      NAME=EMPDB2, ACCESS=(HDAM, OSAM),                X
         RMNAME=(DFSHDC40, 1, 5, 200)

         DATASET DD1=DFSEMP
         SEGM   NAME=EMPL, PARENT=0, BYTES=56
         LCHILD NAME=(SALESPER, AUTODB), PAIR=EMPSAL, POINTER=DBLE
         FIELD  NAME=(EMPNO, SEQ, U), BYTES=6, START=1, TYPE=C
         FIELD  NAME=LASTNME, BYTES=25, START=7, TYPE=C
         FIELD  NAME=FIRSTNME, BYTES=25, START=32, TYPE=C
         SEGM   NAME=EMPSAL, PARENT=EMPL, PTR=PAIRED,      X
         SOURCE=((SALESPER, DATA, AUTODB))
         FIELD  NAME=(DLRNO, SEQ, U), BYTES=4, START=1, TYPE=C (LPK)

```

```

        SEGM  NAME=EMPLINFO,PARENT=EMPL,BYTES=61
        FIELD NAME=(STATE,SEQ,M),BYTES=2,START=51,TYPE=C
        FIELD NAME=ADDRESS,BYTES=61,START=1,TYPE=C
        FIELD NAME=STREET,BYTES=25,START=1,TYPE=C
        FIELD NAME=CITY,BYTES=25,START=26,TYPE=C
        FIELD NAME=ZIP,BYTES=9,START=53,TYPE=C
    DBDGEN
    FINISH
    END

CREATE DATABASE empdb2
    ACCESS HDAM OSAM
    RMNAME(DFSHDC40 RMANCH 1 RMRBN 5 RMBYTES 200);

CREATE TABLESPACE dfsemp1
    IN empdb2;

CREATE TABLE employee (
    empno CHAR(6) INTERNALNAME empno PRIMARY KEY,
    lastnme CHAR(25) INTERNALNAME lastnme,
    firstnme CHAR(25) INTERNALNAME firstnme,
    LCHILD autodb.sales_person PAIR empyee_salary DOUBLE
) IN empdb2.DFSEMP1
    INTERNALNAME empl
    MAXBYTES 56;

CREATE TABLE employee_salary (
    dealer_number CHAR(4) INTERNALNAME dlrno PRIMARY KEY,
    FOREIGN KEY REFERENCES employee
) IN empdb2.DFSEMP1
    INTERNALNAME empsal
    SOURCE (autodb.sales_person);

CREATE TABLE employee_information (
    address CHAR(61) START 1 INTERNALNAME address,
    street CHAR(25) START 1 INTERNALNAME street,
    city CHAR(25) START 26 INTERNALNAME city,
    state CHAR(2) START 51 INTERNALNAME state PRIMARY KEY NON UNIQUE,
    zip CHAR(9) START 53 INTERNALNAME zip,
    FOREIGN KEY REFERENCES employee
) IN empdb2.dfsemp1
    INTERNALNAME emplinfo
    MAXBYTES 61;

```

Example: Logical database

```

DBD    NAME=EMPLDB2,ACCESS=LOGICAL
        DATASET LOGICAL
        SEGM  NAME=EMPL,PARENT=0,SOURCE=((EMPL,,EMPDB2))
        SEGM  NAME=DEALER,PARENT=EMPL,
                SOURCE=((EMPSAL,KEY,EMPDB2),(DEALER,DATA,AUTODB))
        SEGM  NAME=SALESINF,PARENT=DEALER,
                SOURCE=((SALESINF,,AUTODB))
        SEGM  NAME=EMPLINFO,PARENT=EMPL,
                SOURCE=((EMPLINFO,,EMPDB2))

CREATE DATABASE empldb2
    ACCESS LOGICAL;

CREATE TABLE empl
    IN empldb2
    SOURCE(empldb2.empl);

CREATE TABLE dealer (
    FOREIGN KEY REFERENCES empl
) IN empldb2
    SOURCE(empldb2.empsal KEY, autodb.dealer DATA);

CREATE TABLE salesinf (
    FOREIGN KEY REFERENCES empl
) IN empldb2
    SOURCE(autodb.salesinf);

CREATE TABLE emplinfo (
    FOREIGN KEY REFERENCES empl
) IN empldb2
    SOURCE(empldb2.emplinfo);

```

Example: Secondary Index database

```
DBD      NAME=SINDEX22,ACCESS=(INDEX,VSAM)
         DATASET DD1=SINDX2P
         SEGM    NAME=SINDXB,PARENT=0,BYTES=34
         FIELD   NAME=(XFLDB,SEQ,U),BYTES=28,START=1,TYPE=C   SEARCH
         FIELD   NAME=COUNT,BYTES=2,START=25,TYPE=C          DUP DATA
         FIELD   NAME=ENQUIRS,BYTES=4,START=25,TYPE=P          USER DATA
         LCHILD  NAME=(DEALER,AUTODB),INDEX=XFLD2
         DBDGEN
         FINISH
         END

CREATE DATABASE sindex22
  ACCESS INDEX;

CREATE TABLESPACE sindx2p
  IN sindex22;

CREATE TABLE secondary_indexb (
  xflldb CHAR(28) INTERNALNAME xflldb PRIMARY KEY,
  count CHAR(2) INTERNALNAME count start(25),
  enquires BINARY(4) START(25) INTERNALNAME enquires,
  LCHILD autodb.dealer LCINDEX xfld2
) IN sindex22
  INTERNALNAME sindexb
  MAXBYTES 34;
```

Example: Data Capture Exit

```
*****
*          DBD DHVNTZ02 FROM CMVC (CDCI19-3.DBDGEN)          *
*****
DBD      NAME=DHVNTZ02,                                       C
         ACCESS=(HIDAM,VSAM),PASSWD=NO,VERSION=CDCTEST
*****
*          DATASET GROUP NUMBER 1                             *
*****
DSG001 DATASET DD1=HIDAM,DEVICE=3300,SIZE=(2048),SCAN=3
*****
*          SEGMENT NUMBER 1                                   *
*****
SEGM     NAME=K1,                                             C
         PARENT=0,BYTES=10,RULES=(LLL, LAST),PTR=(NOTWIN,,,,) C
         EXIT=(*,LOG,PATH,KEY,DATA)
         FIELD NAME=(K1,SEQ,U),                               C
         START=1,BYTES=5,TYPE=C
         FIELD NAME=(ID),                                     C
         START=6,BYTES=4,TYPE=C
         LCHILD NAME=(INDEX,DXVNTZ02),                       C
         PTR=INDX,RUTLES=LAST,TYPE=C
. . . .
. . . .
*****
*          SEGMENT NUMBER 5                                   *
*****
SEGM     NAME=K5,PARENT=((K1,SNGL)),                          C
         BYTES=10,RULES=(LLL, LAST),PTR=(TWIN,,,,)          C
         EXIT=(*,LOG,PATH,KEY,DATA)
         FIELD NAME=(K5,SEQ,U),                               C
         START=1,BYTES=5,TYPE=C
         FIELD NAME=(ID),                                     C
         START=6,BYTES=4,TYPE=C
         LCHILD NAME=(K3),                                    C
         PTR=SNGL,PAIR=K5X,RULES=LAST
         LCHILD NAME=(K8),                                    C
         PTR=DBLE,PAIR=K5Y,RULES=HERE
. . . .
. . . .
DBDGEN
FINISH
END
```

Example: Data Capture Exit

```
*****
*          DBD DIVNTZ02 FROM CMVC (CDCI29-3 DBDGEN)          *
*****
DBD NAME=DIVNTZ02,ACCESS=(HISAM,VSAM),VERSION=DIVNTZ02,      X
EXIT=(COBXSQ,LOG,PATH,KEY,DATA,NOCASCADE)
*
DSG01 DATASET DD1=DBHVSAM1,DEVICE=3330,OVFLW=DBHVSAM2,      X
BLOCK=(00004,00002),RECORD=(00200,00200)
*
SEGM          NAME=J1,                                       X
              PARENT=0,                                     X
              BYTES=10,                                     X
              FREQ=1,                                       X
              POINTER=NONE,                                 X
              RULES=(PPP, LAST)
FIELD NAME=(J1,SEQ,U),BYTES=005,START=00001,TYPE=C
FIELD NAME=ID,BYTES=4,START=6,TYPE=C
*****
* DLI Change Data Capture - Change delete rule to virtual
*****
SEGM          NAME=J2,                                       X
              PARENT=((J1,SNGL),(J6,PHYSICAL,DIVNTZ02)),    X
              BYTES=37,                                     X
              FREQ=0000000001.00,                           X
              POINTER=NONE,                                 X
              RULES=(PVP, LAST)
FIELD NAME=(J2,SEQ,U),BYTES=005,START=00016,TYPE=C
FIELD NAME=ID,BYTES=4,START=21,TYPE=C
FIELD NAME=(1J2),BYTES=004,START=00026,TYPE=C
FIELD NAME=(2J2),BYTES=004,START=00030,TYPE=C
FIELD NAME=(3J2),BYTES=004,START=00034,TYPE=C
. . . .
SEGM          NAME=J15,EXIT=NONE,                             X
              PARENT=J12,                                   X
              POINTER=PAIRED,                               X
              SOURCE=((K10,DATA,DHVNTZ02))
FIELD NAME=(J15,SEQ,U),BYTES=5,START=16,TYPE=C
FIELD NAME=ID,BYTES=4,START=22,TYPE=C
DBDGEN
FINISH
END
```

Related reference

[DBD generation for database types \(System Utilities\)](#)

CREATE TABLESPACE

The CREATE TABLESPACE statement defines a data set group for a full-function database or a database area for a Fast Path Data Entry Database (DEDB) to IMS.

Invocation

This statement can be submitted from a Java application program with an establish connection to IMS through the IMS Universal JDBC drivers. It is an executable statement that cannot be dynamically prepared.

- [“CREATE TABLESPACE syntax” on page 730](#)
- [“GSAM syntax” on page 730](#)
- [“HDAM or HIDAM syntax” on page 731](#)
- [“HSAM or SHSAM syntax” on page 731](#)
- [“HISAM or INDEX syntax” on page 731](#)
- [“SHISAM syntax” on page 731](#)
- [“DEDB syntax” on page 731](#)

The following database types can have only one TABLESPACE statement defined to it:

- HSAM

- SHSAM
- GSAM
- HISAM
- SHISAM
- INDEX

The following database types do not allow for any TABLESPACE statements:

- PSINDEX
- LOGICAL
- PHDAM
- PHIDAM

The following database types can have between 1 and 10 TABLESPACE statements defined to it:

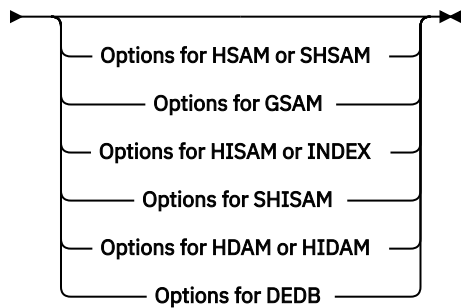
- HDAM
- HIDAM

The following database type can have between 1 and 2048 TABLESPACE statements defined to it:

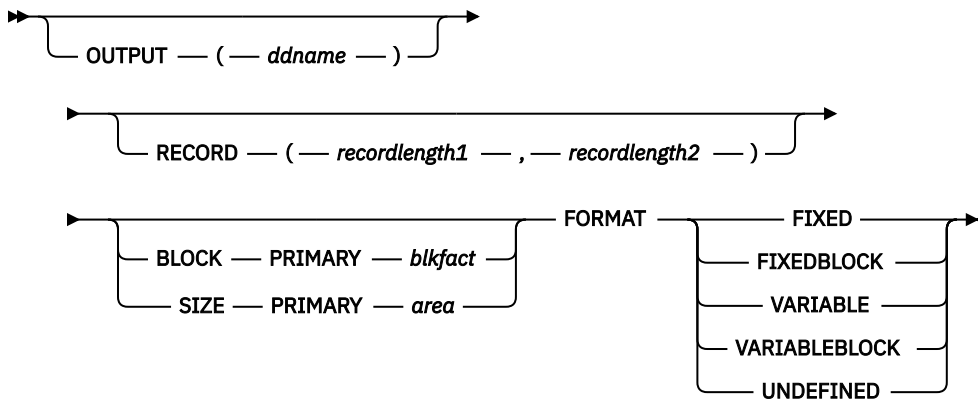
- DEDB

CREATE TABLESPACE syntax

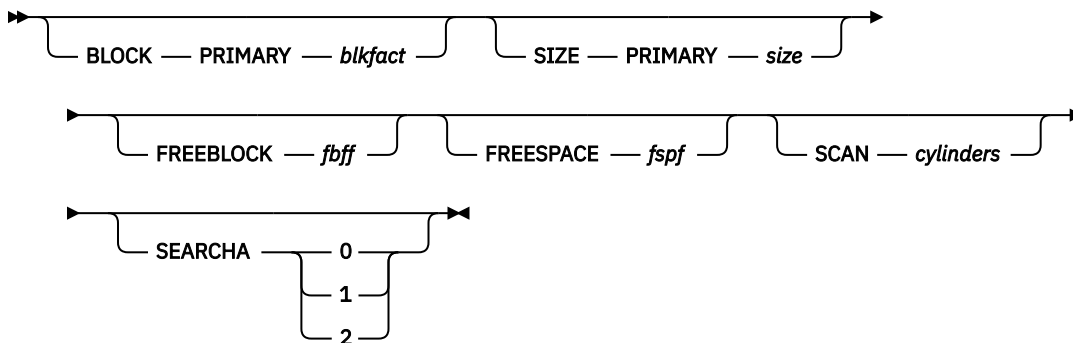
➤ CREATE — TABLESPACE — *ddname* — IN — *database_name* ➤



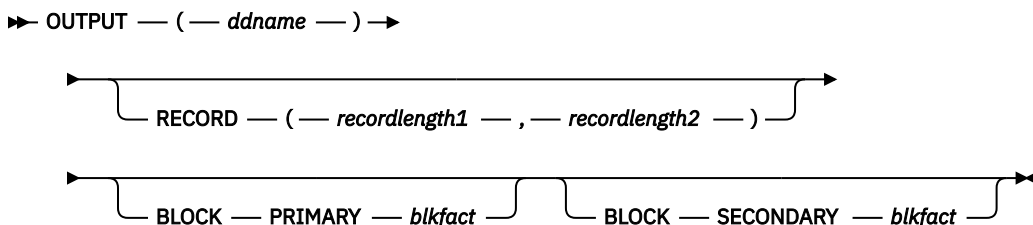
GSAM syntax



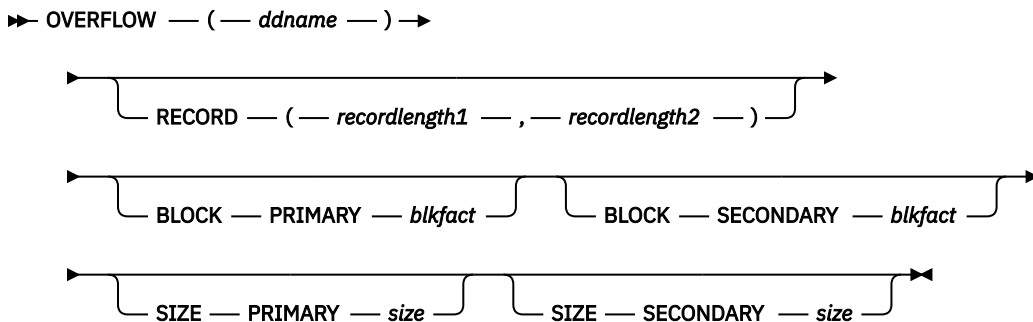
HDAM or HIDAM syntax



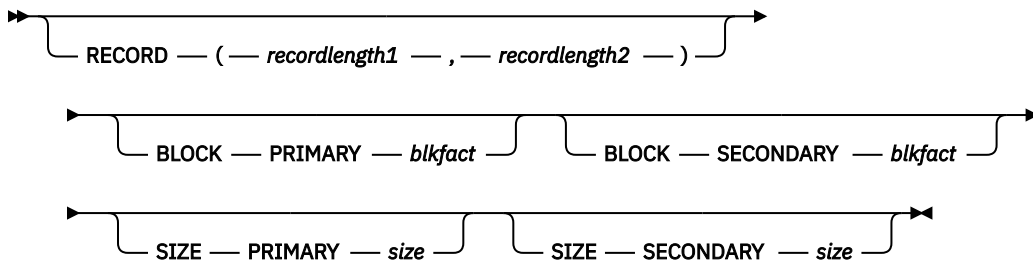
HSAM or SHSAM syntax



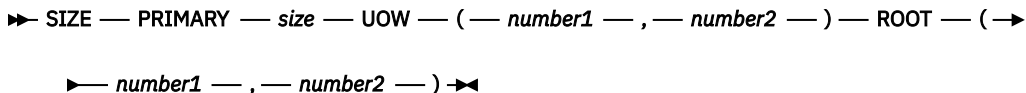
HISAM or INDEX syntax



SHISAM syntax



DEDB syntax



Description

The ddnames used on the CREATE TABLESPACE statement must be unique within an IMS system or account. Non-unique ddnames in two or more DBDs might result in corruption of the database. One situation that can result in corruption of a database is if both ddnames were inadvertently used concurrently (both used in two different message regions of a data communications system or in two PCBs of one PSB used in a batch DL/I region of a database only system).

The following keyword parameters are defined for the CREATE TABLESPACE statement:

CREATE TABLESPACE *ddname*

Specifies the ddname defining the primary data set in this data set group, or the area of a DEDB. Name must be 1 to 8- characters alphanumeric. IMS use of the data set indicated by this parameter depends on the type of database being defined as shown in the following list:

HSAM | SHSAM | GSAM

The ddname of input data set. The input data set is used when an application program retrieves data from the database.

HISAM | SHISAM | INDEX

The ddname of primary data set in data set group.

HIDAM | HDAM

The ddname of data set in data set group.

DEDB

The area name or a ddname for single area data sets but can only be an area name for multiple area data sets. If the database is registered in DBRC, this parameter should specify the area name.

IN *database_name*

Denotes this data set group belongs to a database.

database_name

The database this data set group belongs to.

Specifies the DBD name of a database whose data sets are to be dynamically allocated. This name is used as a member name in IMS.SDFSRESL to identify this database parameter list. Care should be taken to ensure that this name does not conflict with existing members in IMS.SDFSRESL. This includes, but is not limited to, IMS modules and user-supplied exit routines.

BLOCK PRIMARY

BLOCK SECONDARY

Is used to specify the blocking factors to be used for data sets in a data set group for HSAM, SHSAM, GSAM, HISAM, SHISAM, and INDEX databases, or is used to specify the block size or control interval size without overhead for the data set in a data set group for HDAM and HIDAM databases.

For HISAM, SHISAM, and INDEX databases that use VSAM as the access method, use the SIZE PRIMARY parameter to specify control interval size in place of the BLOCK PRIMARY or BLOCK SECONDARY parameter. If the SIZE keyword is used for a HISAM, SHISAM, or INDEX database, the BLOCK keyword is invalid.

In cases where the RECORD, BLOCK PRIMARY, and BLOCK SECONDARY operands are used, the resulting control interval size must be a multiple of 512 when the resulting size is less than 8192 bytes. If the product of the record length specified times the blocking factor specified plus VSAM overhead is not a multiple of 512 and is less than 8192 bytes, the resulting control interval size is obtained by rounding the value up to the next higher multiple of 512. Control interval sizes from 8192 to 30720 bytes (maximum allowed size) must be in multiples of 2048 bytes. When the product of the RECORD and BLOCK operands plus VSAM overhead is from 8192 to 30720 bytes but is not a multiple of 2048, the resulting control interval size is obtained by rounding the value up to the next higher multiple of 2048.

The VSAM overhead is 7 bytes if the blocking factor is 1; otherwise, it is 10 bytes. The maximum block size for OSAM data sets is 32 KB.

For HDAM and HIDAM databases, the BLOCK PRIMARY parameter is used to enable you to override the computation of control interval or block size of IMS. However, in addition to the value specified in the BLOCK PRIMARY parameter, IMS adds space for root anchor points, a free space anchor point, and access method overhead. The block or control interval size that results can be determined by referring to the equations in the description of the SIZE PRIMARY parameter or by examining the output of IMS. If the SIZE parameter is not specified and the access method is VSAM, IMS calculates the best VSAM LRECL value by equally distributing any unused space in the CI to each logical record in the CI. If the SIZE PRIMARY parameter is specified, this is not done.

The following table explains the use of the BLOCK and RECORD operands.

Table 168. BLOCK and RECORD operands

Database type	Use of BLOCK and RECORD operands
HSAM/SHSAM	<p>BLOCK BLOCK PRIMARY applies to input data set and should always be 1. BLOCK SECONDARY applies to output data set and should always be 1.</p> <p>RECORD <i>recordlength1</i> is the input record length. <i>recordlength2</i> is the output record length. HSAM/SHSAM is always unblocked; LRECL and BLKSIZE are equal.</p>
GSAM	<p>BLOCK BLOCK PRIMARY applies to input/output data set. BLOCK SECONDARY is an invalid subparameter.</p> <p>RECORD <i>recordlength1</i> is the size of an LRECL length or maximum size for a variable length record. <i>recordlength2</i> is the minimum size for a variable length record.</p> <p>SIZE SIZE PRIMARY is the BLKSIZE for input/output data set. SIZE SECONDARY is an invalid subparameter.</p>
HISAM/SHISAM	<p>BLOCK BLOCK PRIMARY is the primary data set blocking factor. BLOCK SECONDARY is the overflow data set blocking factor.</p> <p>RECORD <i>recordlength1</i> is the data set logical record length. <i>recordlength2</i> is the overflow data set logical record length.</p>
HIDAM, HDAM	<p>BLOCK size0 is size without overhead of OSAM or VSAM data set group</p> <p>RECORD Is ignored.</p>
DEDB	BLOCK and RECORD operands are invalid.

Table 168. BLOCK and RECORD operands (continued)

Database type	Use of BLOCK and RECORD operands
INDEX	<p>BLOCK</p> <p>BLOCK PRIMARY is the primary data set blocking factor.</p> <p>BLOCK SECONDARY is the overflow data set blocking factor.</p> <p>RECORD</p> <p><i>recordlength1</i> is the primary data set logical record length.</p> <p><i>recordlength2</i> is the overflow data set logical record length.</p>

Note: When both *recordlength1* and *recordlength2* are specified in a TABLESPACE statement, *recordlength2* must be equal to or greater than *recordlength1*, except for GSAM.

FORMAT

Specifies the format of the records in the data set. The valid record formats are:

FIXED

Fixed length.

FIXEDBLOCK

Fixed length and blocked

VARIABLE

Variable length.

VARIABLEBLOCK

Variable length and blocked.

UNDEFINED

Undefined length.

This keyword is required and only valid for a GSAM database.

FREEBLOCK

Specifies the free block frequency factor. Every *n*th control interval or block in this data set group is left as free space during database load or reorganization. The valid range is 0-100 except 1. The default is 0.

A smaller value increases the frequency of free space in the database. A value of 2, for example, would mean that after each piece of data there would be a free space block. This causes system performance degradation when running reorganization or load utilities because of the extra processing required for the free space blocks.

FREEBLOCK is equivalent to the IMS keyword FRSPC=(*fbff*,).

This keyword is optional and only valid for HDAM or HIDAM.

FREESPACE

Specifies the free space percentage factor, which is the minimum percentage of each control interval or block that is to be left as free space in this data set group. The valid range is 0-99. The default is 0.

This keyword is optional and only valid for HDAM or HIDAM.

FREESPACE is equivalent to the IMS keyword FRSPC=(*fspf*).

OUTPUT (*ddname*)

Specifies the 1- to 8-character alphanumeric *ddname* of the output data set that is required for an HSAM or SHSAM database and optional for a GSAM database. This output data set is used by IMS when loading the database. This keyword is invalid for other database access types.

OUTPUT is equivalent to the IMS keyword DD2=.

OVERFLOW (ddname)

Specifies the 1- to 8-character alphanumeric ddname of the overflow data set in this data set group. This parameter must be specified for:

- An INDEX database that contains index pointer segments with non-unique keys.
- All data set groups of a HISAM database except when only one segment type is defined in the HISAM database.

The following conditions apply:

- Invalid for a simple HISAM (SHISAM) database.
- Not required for an HISAM database that contains only one segment type.
- Not required for an index DBD because all index segments are inserted in the key sequenced data set of the index.
- Invalid for an INDEX database defined with an osaccess type of SHISAM.
- Only valid for HISAM and INDEX database access types.

RECORD(recordlength1,recordlength2)

Specifies the data management logical record lengths to be used for this data set group. This keyword is optional and only valid for HSAM, SHSAM, GSAM, HISAM, SHISAM, INDEX.

SCAN cylinders

Specifies the number of direct-access device cylinders to be scanned when searching for available storage space during segment insertion operations. This parameter is optional and only valid for HIDAM or HDAM databases. If specified, the value must be a decimal integer that does not exceed 255. Typical values are 0 - 5. The default is 3. If 0 is specified, only the current cylinder is scanned for space.

Scanning is performed in both directions from the current cylinder position. If a scan limit value causes scanning to include an area outside of the current extent, IMS adjusts the scan limits so that scanning does not exceed current extent boundaries. If space cannot be found for segment insertion within the cylinder bounds defined by this parameter, space is used at the current end of the data set group for the database.

SEARCHA 0 | 1 | 2

Specifies the type of HD space search algorithm that IMS uses to insert a segment into an HD database.

0

Specifies that IMS chooses which HD space search algorithm to use. 0 is the default.

1

Specifies that IMS uses the HD space search algorithm that does not search for space in the second-most desirable block or CI.

2

Specifies that IMS uses the HD space search algorithm that includes a search for space in the second-most desirable block or CI.

This keyword is optional and only valid for HDAM or HIDAM database.

SIZE PRIMARY size1

For HISAM, SHISAM, INDEX, this keyword specifies control interval or block size of primary data set in a data set group.

For HDAM, HIDAM, this keyword specifies the control interval or block size of the data set in the data set group. For GSAM, this keyword specifies the block size for input/output data set.

For DEDB, this keyword is required and specifies the control interval.

This keyword is invalid for all other database types.

SIZE PRIMARY is equivalent to the IMS keyword SIZE=(size1,).

SIZE SECONDARY *size2*

For HISAM, SHISAM, INDEX, this keyword specifies control interval or block size of overflow data set.

This keyword is valid only for HISAM, SHISAM, and INDEX.

SIZE SECONDARY is equivalent to the IMS keyword SIZE=(,*size2*)

ROOT(*number1,number2*)

Specifies the total space that is allocated to the root addressable part of the area and to the area reserved for independent overflow.

number1

Specifies the total space that is allocated to the root addressable part of the area. It is expressed in UOWs. The rest of the VSAM data set is reserved for sequential dependent data.

The valid range is 2-32767; it cannot be larger than the amount of space in the VSAM data set.

number2

Specifies the space that is reserved for independent overflow in terms of UOWs. It must be at least 1 and must be less than the value specified for *number1*. Although independent overflow does not contain UOWs, the UOW size is used as the unit for space allocation.

The reorganization UOW is automatically allocated by the DEDB Initialization utility. VSAM space definition should include this additional UOW. That is, the total space required is the root addressable area, the independent overflow, and one additional UOW for reorganization. The reorganization UOW is not used by the High-Speed DEDB Direct Reorganization utility, but might be used by other functions of IMS.

The ROOT keyword is required and only valid for DEDB.

UOW(*number1,number2*)

Required and only valid for DEDB. *number1* specifies the number of control intervals in a unit of work. The valid range is 2-32767. *number2* specifies the number of control intervals in the overflow section. Any value greater than or equal to 1 but at least one less than *number1*.

Usage notes

The CREATE TABLESPACE statement is equivalent to the DATASET or AREA statement of the IMS DBD generation utility.

In IMS, a DATASET statement is also used by LOGICAL database access types but not required for DDL.

➡ DATASET — LOGICAL ➡

Example: Basic HDAM database

The following input to the DBD generation utility defines an HDAM database:

```
*****
*          DBD COGDBD FROM CATU02-F          *
*****
DBD      NAME=COGDBD,                          C
          ENCODING=Cp1047,                      C
          ACCESS=(HDAM,OSAM),                  C
          RMNAME=(DFSHDC40,3,3,25),            C
          PASSWD=NO
DATASET  DD1=COGDATA,                          C
          DEVICE=3390,                          C
          SIZE=(8192),                          C
          REMARKS='Dataset Group 1'
SEGM     NAME=ROOT,                            C
          PARENT=0,                             C
          BYTES=(20),                          C
          RULES=(LLL,HERE)
*****
*          SEGMENT SMALLINT                   *
*****
SEGM     NAME=TSINT,                          C
          PARENT=ROOT,                         C
```

```

        BYTES=(8,6), C
        REMARKS='This describes table TSINT.', C
        RULES=(LLL,HERE)
*****
*      SEGMENT INT
*****
      SEGM      NAME=TINT, C
                PARENT=ROOT, C
                BYTES=(10,6), C
                REMARKS='This describes table TINT.', C
                RULES=(LLL,HERE)
*****
*      SEGMENT BIGINT
*****
      SEGM      NAME=TBINT, C
                PARENT=ROOT, C
                BYTES=(14,6), C
                REMARKS='This describes table TBINT.', C
                RULES=(LLL,HERE)
*****
*      SEGMENT DECIMAL(7,2)
*****
      SEGM      NAME=TDEC, C
                PARENT=ROOT, C
                BYTES=(10,6), C
                REMARKS='This describes table TDEC.', C
                RULES=(LLL,HERE)
*****
*      SEGMENT FLOAT
*****
      SEGM      NAME=TFLT, C
                PARENT=ROOT, C
                BYTES=(10,6), C
                REMARKS='This describes table TFLT.', C
                RULES=(LLL,HERE)
*****
*      SEGMENT REAL
*****
      SEGM      NAME=TRL, C
                PARENT=ROOT, C
                BYTES=(10,6), C
                REMARKS='This describes table TRL.', C
                RULES=(LLL,HERE)
*****
*      SEGMENT DOUBLE
*****
      SEGM      NAME=TDBL, C
                PARENT=ROOT, C
                BYTES=(14,6), C
                REMARKS='This describes table TDBL.', C
                RULES=(LLL,HERE)
*****
*      SEGMENT CHAR(32)
*****
      SEGM      NAME=TCHAR, C
                PARENT=ROOT, C
                BYTES=(38,6), C
                REMARKS='This describes table TCHAR.', C
                RULES=(LLL,HERE)
*****
*      SEGMENT NCHAR(32)
*****
      SEGM      NAME=TNCHAR, C
                PARENT=ROOT, C
                BYTES=(38,6), C
                REMARKS='This describes table TNCHAR.', C
                RULES=(LLL,HERE)
*****
. . .
. . .
      DBDGEN
      FINISH
      END

```

In DDL, the same data set group (cogdata) is defined with the CREATE TABLESPACE statement and then each table is assigned to it.

```

CREATE TABLESPACE cogdata
  IN COGDBD
  SIZE PRIMARY 8192;
COMMENT ON TABLESPACE cogdata IN cogdbd IS 'Dataset Group 1';

```

```

CREATE TABLE tsinit
  IN cogdbd.cogdata
  ...

CREATE TABLE tinit
  IN cogdbd.cogdata
  ...

CREATE TABLE tbinit
  IN cogdbd.cogdata
  ...

CREATE TABLE tdec
  IN cogdbd.cogdata
  ...

CREATE TABLE tflt
  IN cogdbd.cogdata
  ...

CREATE TABLE trl
  IN cogdbd.cogdata
  ...

CREATE TABLE tdb1
  IN cogdbd.cogdata
  ...

CREATE TABLE tchar
  IN cogdbd.cogdata
  ...

CREATE TABLE tnchar
  IN cogdbd.cogdata
  ...

```

Example: HIDAM database with multiple data set groups

The following input to the DBD generation utility creates a HIDAM database with two data set groups, DSG001 and DSG002. Segment types K1, K2, K3, K4, K5, K6, and K8 are assigned to DSG001. Segment types K5X, K5Y, K9, K10, K11, K12, K13, and K14 are assigned to DSG002.

```

*****
*          DBD DHVNTZ02 FROM CMVC (CDCI19-3.DBDGEN)          *
*****
  DBD          NAME=DHVNTZ02,                                C
                ACCESS=(HIDAM,VSAM),                        C
                PASSWD=NO,                                   C
                VERSION=CDCTEST
*****
*          DATASET GROUP NUMBER 1                            *
*****
DSG001 DATASET DD1=HIDAM,                                    C
                DEVICE=3330,                                 C
                SIZE=(2048),                                 C
                SCAN=3,                                      C
                REMARKS='Dataset Group 1'
*****
*          SEGMENT NUMBER 1                                  *
*****
  SEGM        NAME=K1,                                       C
                PARENT=0,                                    C
                BYTES=10,                                     C
                EXIT=(*,LOG,PATH,KEY,DATA),                  X
                RULES=(LLL, LAST),                           C
                PTR=(NOTWIN,,,)
  . . .
  . . .
*****
*          SEGMENT NUMBER 2                                  *
*****
  SEGM        NAME=K2,                                       C
                PARENT=((K1)),                               C
                BYTES=10,                                     C
                RULES=(LLL, LAST),                           C
                PTR=(TWIN,,CTR,)
  . . .

```

```

. . . .
*****
*          SEGMENT NUMBER 3          *
*****
  SEGM      NAME=K3,
            PARENT=((K2,SNGL),
            (K5,PHYSICAL)),
            BYTES=34,
            RULES=(LVL, LAST),
            PTR=(TWIN,LTWIN,LPARNT,,)
. . . .
. . . .
*****
*          SEGMENT NUMBER 4          *
*****
  SEGM      NAME=K4,
            PARENT=((K3,SNGL)),
            BYTES=10,
            RULES=(LLL, LAST),
            PTR=(TWIN,,,)
. . . .
. . . .
*****
*          SEGMENT NUMBER 5          *
*****
  SEGM      NAME=K5,
            PARENT=((K1,SNGL)),
            BYTES=10,
            EXIT=(*, LOG,PATH,KEY,DATA),
            RULES=(LLL, LAST),
            PTR=(TWIN,,,)
. . . .
. . . .
*****
*          SEGMENT NUMBER 6          *
*****
  SEGM      NAME=K6,
            PARENT=((K5,SNGL)),
            BYTES=10,
            RULES=(LLL, LAST),
            PTR=(TWIN,,,)
. . . .
. . . .
*****
*          DATASET GROUP NUMBER 2    *
*****
DSG002 DATASET DD1=HIDAM2,
        DEVICE=3330,
        SIZE=(512),
        SCAN=3,
        REMARKS='Dataset Group 2'
*****
*          SEGMENT NUMBER 7          *
*****
  SEGM      NAME=K5X,
            PARENT=((K5)),
            PTR=PAIRED,
            SOURCE=((K3,DATA,DHVNTZ02))
. . . .
. . . .
*****
*          SEGMENT NUMBER 8          *
*****
  SEGM      NAME=K5Y,
            PARENT=((K5)),
            PTR=PAIRED,
            SOURCE=((K8,DATA,DHVNTZ02))
. . . .
. . . .
*****
*          DATASET GROUP NUMBER 1    *
*****
DSG001 DATASET
*****
*          SEGMENT NUMBER 9          *
*****
  SEGM      NAME=K8,
            PARENT=((K1,SNGL),
            (K5,PHYSICAL)),
            BYTES=32,
            RULES=(LVL, LAST),
            PTR=(TWIN,LTWINBWD,LPARNT,,)

```

```

. . . .
. . . .
*****
*          DATASET GROUP NUMBER 2
*****
DSG002 DATASET
*****
*          SEGMENT NUMBER 10          *
*****
  SEGM      NAME=K9,                  C
            PARENT=K1,                C
            BYTES=29,                  C
            EXIT=(*,LOG,PATH,KEY,DATA), X
            RULES=(VLV, LAST),         C
            PTR=(TWIN,, ,CTR,)
. . . .
. . . .
*****
*          SEGMENT NUMBER 11          *
*****
  SEGM      NAME=K10,                  C
            PARENT=((K9,SNGL),        C
            (J12,PHYSICAL,DIVNTZ02)), C
            BYTES=26,                  C
            RULES=(VVV, LAST),         C
            PTR=(TWIN,LTWINBWD,, ,)
. . . .
. . . .
*****
*          SEGMENT NUMBER 12          *
*****
  SEGM      NAME=K11,                  C
            PARENT=((K9,DBLE)),        C
            BYTES=29,                  C
            RULES=(LLL, LAST),         C
            PTR=(TWIN,, , ,)
. . . .
. . . .
*****
*          SEGMENT NUMBER 13          *
*****
  SEGM      NAME=K12,                  C
            PARENT=((K11,DBLE)),        C
            BYTES=20,                  C
            RULES=(LLL, LAST),         C
            PTR=(TWIN,, , ,)
. . . .
. . . .
*****
*          SEGMENT NUMBER 14          *
*****
  SEGM      NAME=K13,                  C
            PARENT=((K11,DBLE)),        C
            BYTES=20,                  C
            RULES=(LLL,HERE),          C
            PTR=(TWIN,, , ,)
. . . .
. . . .
*****
*          SEGMENT NUMBER 15          *
*****
  SEGM      NAME=K14,                  C
            PARENT=((K9,SNGL),        C
            (J12,PHYSICAL,DIVNTZ02)), C
            BYTES=24,                  C
            RULES=(LVV, LAST),         C
            PTR=(TWIN,, , ,PAIRED)
. . . .
. . . .
  DBDGEN
  FINISH
  END

```

The following DDL creates the same data set groups and equivalent table assignments:

```

CREATE TABLESPACE hidam
  IN DHVNTZ02
  SIZE PRIMARY 2048
  SCAN 3;
COMMENT ON TABLESPACE hidam IN dhvntz02 IS 'Dataset Group 1';

```



```

CREATE TABLESPACE hidam2
  IN dhvntz02
  SIZE PRIMARY 512
  SCAN 3;
COMMENT ON TABLESPACE hidam2 IN dhvntz02 IS 'Dataset Group 2';

CREATE TABLE k1
  IN dhvntz02.hidam
  ...

CREATE TABLE k2
  IN dhvntz02.hidam
  ...

CREATE TABLE k3
  IN dhvntz02.hidam
  ...

CREATE TABLE k4
  IN dhvntz02.hidam
  ...

CREATE TABLE k5
  IN dhvntz02.hidam
  ...

CREATE TABLE k6
  IN dhvntz02.hidam
  ...

CREATE TABLE k5x
  IN dhvntz02.hidam2
  ...

CREATE TABLE k5y
  IN dhvntz02.hidam2
  ...

CREATE TABLE k8
  IN dhvntz02.hidam
  ...

CREATE TABLE k9
  IN dhvntz02.hidam2
  ...

CREATE TABLE k10
  IN dhvntz02.hidam2
  ...

CREATE TABLE k11
  IN dhvntz02.hidam2
  ...

CREATE TABLE k12
  IN dhvntz02.hidam2
  ...

CREATE TABLE k13
  IN dhvntz02.hidam2
  ...

CREATE TABLE k14
  IN dhvntz02.hidam2
  ...

```

Example: Fast Path DEDB with multiple data areas

The following DBD generation utility input creates a DEDB with 7 areas:

```

DBD      NAME=DEDBJN21,                                C
          ENCODING=Cp1047,                              C
          ACCESS=(DEDB),                                C
          RMNAME=(RMOD3),                                C
          PASSWD=NO
*****
*        AREA NUMBER 1
*****

```

AREA	DD1=HOSPAR0, DEVICE=3330, SIZE=(2048), UOW=(15,10), ROOT=(10,5)	C C C C
AREA	DD1=HOSPAR1, DEVICE=3330, SIZE=(2048), UOW=(15,10), ROOT=(10,5)	C C C C
AREA	DD1=HOSPAR2, DEVICE=3330, SIZE=(2048), UOW=(15,10), ROOT=(10,5)	C C C C
AREA	DD1=HOSPAR3, DEVICE=3330, SIZE=(2048), UOW=(15,10), ROOT=(10,5)	C C C C
AREA	DD1=HOSPAR4, DEVICE=3330, SIZE=(2048), UOW=(15,10), ROOT=(10,5)	C C C C
AREA	DD1=HOSPAR5, DEVICE=3330, SIZE=(2048), UOW=(15,10), ROOT=(10,5)	C C C C
AREA	DD1=HOSPAR6, DEVICE=3330, SIZE=(2048), UOW=(15,10), ROOT=(10,5)	C C C C

The following DDL defines equivalent data areas:

```

CREATE TABLESPACE hospar0
  IN dedbjn21
  SIZE PRIMARY 2048
  UOW(15, 10)
  ROOT(10, 5);

CREATE TABLESPACE hospar1
  IN dedbjn21
  SIZE PRIMARY 2048
  UOW(15, 10)
  ROOT(10, 5);

CREATE TABLESPACE hospar2
  IN dedbjn21
  SIZE PRIMARY 2048
  UOW(15, 10)
  ROOT(10, 5);

CREATE TABLESPACE hospar3
  IN dedbjn21
  SIZE PRIMARY 2048
  UOW(15, 10)
  ROOT(10, 5);

CREATE TABLESPACE hospar4
  IN dedbjn21
  SIZE PRIMARY 2048
  UOW(15, 10)
  ROOT(10, 5);

CREATE TABLESPACE hospar5
  IN dedbjn21
  SIZE PRIMARY 2048
  UOW(15, 10)
  ROOT(10, 5);

CREATE TABLESPACE hospar6
  IN dedbjn21
  SIZE PRIMARY 2048
  UOW(15, 10)
  ROOT(10, 5);

```

DECLARE CURSOR

The DECLARE CURSOR statement defines a cursor.

Invocation

This statement can be embedded only in a COBOL application program. It is not an executable statement.

Syntax

```
➤ DECLARE — cursor-name — NO SCROLL — FOR — statement-name ➤
```

Description

The following keyword parameters are defined for the DECLARE CURSOR statement:

cursor-name

Names the cursor. The name must not identify a cursor that has already been declared in the source program.

statement-name

Identifies the prepared *select-statement* that specifies the result table of the cursor whenever the cursor is opened. The *statement-name* must not be identical to a statement name specified in another DECLARE CURSOR statement of the source program. For an explanation of prepared SELECT statements, see [“PREPARE” on page 757](#).

Notes

Cursors in COBOL programs: In COBOL source programs, the DECLARE CURSOR statement must precede all statements that explicitly refer to the cursor by name.

Examples

This example declares a cursor named C1 for statement named DYSQL.

```
EXEC SQLIMS
DECLARE C1 CURSOR FOR DYSQL
END-EXEC.

EXEC SQLIMS
PREPARE DYSQL FROM :SELECT-STATEMENT
END-EXEC

EXEC SQLIMS OPEN C1 END-EXEC.

EXEC SQLIMS
FETCH C1 INTO :HOSPCODE, :HOSPNAME, :WARDNAME, :PATNAME
END-EXEC.

IF SQLIMSCODE = 100
PERFORM DATA-NOT-FOUND
ELSE
PERFORM GET-REST-OF-HOSP
UNTIL SQLIMSCODE IS NOT EQUAL TO ZERO.

EXEC SQLIMS CLOSE C1 END-EXEC.
```

DECLARE STATEMENT

The DECLARE STATEMENT statement is used for application program documentation. It declares names that are used to identify prepared SQL statements.

Invocation

This statement can be embedded only in a COBOL application program. It is not an executable statement.

Syntax



Description

The following keyword parameters are defined for the DECLARE statement:

statement-name STATEMENT

Lists one or more names that are used in your application program to identify prepared SQL statements.

Example

This example shows the use of the DECLARE STATEMENT statement in a COBOL program. It declares a statement named UPD.

```
EXEC SQLIMS
  DECLARE UPD STATEMENT
END-EXEC.

EXEC SQLIMS
  PREPARE UPD FROM :SQLSTMT
END-EXEC.
IF SQLIMSCODE < 0
  MOVE '**** PREPARE ERROR ****' TO ERR-MSG1
  PERFORM 100-ERROR
ELSE
  PERFORM EXECUTE-STMT
END-IF
```

DELETE

The DELETE statement deletes rows from a table.

The *searched* DELETE form is used to delete one or more rows, optionally determined by a search condition.

Invocation

This statement can be embedded in a COBOL or Java application program or issued interactively.

- [“DELETE syntax” on page 744](#)
- [“table syntax” on page 745](#)

DELETE syntax

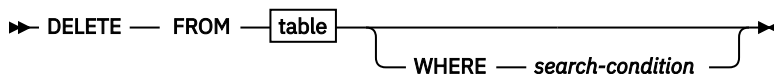
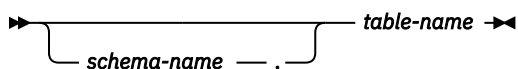


table syntax



Description

The following keyword parameters are defined for the DELETE statement:

DELETE FROM

Identifies the table from which rows are to be deleted.

table-name

The *table-name* defines the name of the table in your SQL query. The name must identify a segment in IMS.

schema-name

The *schema-name* defines the schema in your SQL query. In IMS, the schema name is the PCB name.

WHERE

Specifies the rows to be deleted. You can omit the clause or give a search condition. When the clause is omitted, all the rows of the table are deleted.

search-condition

Is any search condition as described in [“Search conditions” on page 600](#). Each *column-name* in the search condition must identify a column of the table.

The search condition is applied to each row of the table and the rows are those for which the result of the search condition is true are deleted.

Example

From the table PCB01.HOSPITAL, delete all rows for hospitals Alexandria and Santa Teresa.

```
DELETE FROM PCB01.HOSPITAL WHERE HOSPNAME = 'Alexandria' OR HOSPNAME = 'Santa Teresa';
```

DESCRIBE OUTPUT

The DESCRIBE OUTPUT statement obtains information about a prepared statement.

Invocation

This statement can be embedded only in a COBOL application program. It is an executable statement that can be dynamically prepared.

Syntax



Description

The following keyword parameters are defined for the DESCRIBE OUTPUT statement:

OUTPUT

When a *statement-name* is specified, optional keyword to indicate that the describe will return information about the select list columns in the prepared SELECT statement.

statement-name

Identifies the prepared statement. When the DESCRIBE statement is executed, the name must identify a statement that has been prepared.

INTO descriptor-name

Identifies an SQL descriptor area (SQLIMSDA), which is described in [“SQL descriptor area \(SQLIMSDA\)”](#) on page 775. Use the INCLUDE SQLIMSDA statement to declare the SQLIMSDA in the application.

After the DESCRIBE statement is executed, all the fields in the SQLIMSDA except SQLLN are either set by IMS or ignored.

Example

Execute a DESCRIBE statement with the included SQLIMSDA. After DESCRIBE, SQLIMSD specifies the number of result fields returned. IF SQLIMSD equals 0, the statement is a non-SELECT statement such as INSERT, UPDATE, or DELTEE. If SQLIMSD is greater than zero, the statement is a SELECT statement and allocates storage for each result field and specify its address to the SQLIMSDATA field in the SQLIMSDA. Finally, FETCH the result dataset into the SQLIMSDA.

```
EXEC SQLIMS
  INCLUDE SQLIMSDA
END-EXEC

EXEC SQLIMS
  DECLARE C1 CURSOR FOR DYSQL
END-EXEC.

EXEC SQLIMS
  PREPARE DYSQL FROM :SELECT-STATEMENT
END-EXEC

EXEC SQLIMS
  DESCRIBE DYSQL INTO :SQLIMSDA
END-EXEC

IF SQLIMSD > 0
  EXEC SQLIMS OPEN C1 END-EXEC.
  .... /* Code to allocate the storage for each result field */
  .... /* Set the storage address to each SQLIMSDATA variable */
  EXEC SQLIMS FETCH C1 INTO :SQLIMSDA END-EXEC.

IF SQLIMSCODE = 100
  PERFORM DATA-NOT-FOUND
ELSE
  PERFORM GET-REST-OF-HOSP
  UNTIL SQLIMSCODE IS NOT EQUAL TO ZERO.

EXEC SQLIMS CLOSE C1 END-EXEC.
```

DROP DATABASE

The DROP DATABASE statement removes a database from IMS. Whenever a database is deleted, its description is deleted from the catalog at the current IMS.

Invocation

This statement can be submitted from a Java application program with an establish connection to IMS through the IMS Universal JDBC drivers. It is an executable statement that cannot be dynamically prepared.

Syntax

➤ DROP — DATABASE — *database_name* ➤

Description

The following keyword parameters are defined for the DROP DATABASE statement:

DATABASE *database_name*

Identifies the database to drop. The name must identify a database that exists in IMS. When a database is dropped, all of its tables, indexes are also dropped.

Usage notes

Any objects of the database (such as table spaces, tables, and columns) and pending changes are also dropped.

Example

Assuming you have already created a database with the following example (see [CREATE DATABASE \(Application Programming APIs\)](#)), and you now want to drop the database:

```
DROP DATABASE hospdbd1
```

DROP PROGRAMVIEW

The DROP PROGRAMVIEW statement removes an application PROGRAMVIEW (PSB) from IMS. Whenever an application PROGRAMVIEW is deleted, its description is deleted from the catalog at the current IMS.

Invocation

This statement can be submitted from a Java application program with an establish connection to IMS through the IMS Universal JDBC drivers. It is an executable statement that cannot be dynamically prepared.

Syntax

```
➤➤ DROP — PROGRAMVIEW — psb_name ➤➤
```

Description

The following keyword parameters are defined for the DROP PROGRAMVIEW statement:

PROGRAMVIEW *psb_name*

Identifies the PSB to drop. The name must identify a PSB that exists in IMS.

Usage notes

Any pending changes to the definitions of the program view and schemas are also dropped.

Example

```
DROP PROGRAMVIEW PSB123
```

DROP TABLE

The DROP TABLE statement removes an existing table from a database in IMS. Any resources that are directly or indirectly dependent on that table are deleted. Whenever a table is deleted, its description is deleted from the catalog at the current IMS.

Invocation

This statement can be submitted from a Java application program with an establish connection to IMS through the IMS Universal JDBC drivers. It is an executable statement that cannot be dynamically prepared.

Syntax

➤ DROP — TABLE — *table_name* — IN — *database_name* ➤

Description

The following keyword parameters are defined for the DROP TABLE statement:

TABLE *table_name*

Identifies the 1- to 128-character uppercase alphanumeric name of the table to drop. A table name can include the underscore character. The name must identify a table that exists in IMS. When a table is dropped, all tables defined as its children are also dropped.

IN *database_name*

Specifies the DBD name of a database where the table is defined. Specifying a DROP TABLE indicated that the table will be removed from the database. This triggers an alteration of this database.

Usage notes

When a table is directly or indirectly dropped, the following items are also dropped:

- All of the privileges associated with the table.
- All of the tables defined as children that are associated with the table being dropped through use of the FOREIGN KEY clause.

Example

Assuming you have already created a table with the following example (see [CREATE TABLE \(Application Programming APIs\)](#)), and you now want to drop the table:

```
DROP TABLE testinteger IN COGDBD
```

DROP TABLESPACE

The DROP TABLESPACE statement removes a data set group within the database or an area for a DEDB. Dropping a TABLESPACE is an ALTER against the database resource.

Invocation

This statement can be submitted from a Java application program with an established connection to IMS through the IMS Universal JDBC drivers. It is an executable statement that cannot be dynamically prepared.

Syntax

➤ DROP — TABLESPACE — *ddname* — IN — *database_name* ➤

Description

The following keyword parameters are defined for the DROP TABLESPACE statement:

TABLESPACE *ddname*

Identifies the 1 to 8- character alphanumeric tablespace *ddname* to drop. The *ddname* must identify a tablespace that exists in IMS.

IN *database_name*

Specifies the database from which the tablespace is to be removed from.

Usage notes

When a tablespace is dropped, a new one can be created within the same commit scope. Any pending changes to the definitions of the tablespace are also dropped. Whenever a tablespace is directly or

of parameter markers in the prepared statement. The *n*th variable supplies the value for the *n*th parameter marker in the prepared statement.

Notes

Parameter marker replacement:

Before the prepared statement is executed, each parameter marker in the statement is effectively replaced by its corresponding host variable. The replacement is an assignment operation in which the source is the value of the host variable and the target is a variable. The assignment rules are those described for assignment to a column in [Assignment and comparison \(Application Programming APIs\)](#).

Example

In this example, an UPDATE statement is prepared from the variable SQLSTMT and executed.

```
EXEC SQLIMS
  DELCARE UPD STATEMENT
END-EXEC.

EXEC SQLIMS
  PREPARE UPD FROM :SQLSTMT
END-EXEC.
IF SQLIMSCODE < 0
  MOVE '**** PREPARE ERROR ****' TO ERR-MSG1
  PERFORM 100-ERROR
ELSE
  EXEC SQLIMS
    EXECUTE UPD
  END-EXEC
END-IF.
```

FETCH

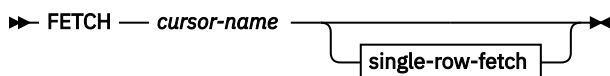
The FETCH statement positions a cursor on a row of its result table. It can return zero or one and assigns the values of the rows to host variables if there is a target specification.

Invocation

This statement can be embedded only in a COBOL application program. It is an executable statement that cannot be dynamically prepared.

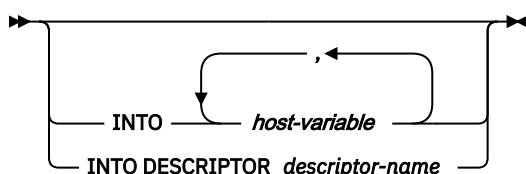
- [“FETCH syntax” on page 750](#)
- [“single-row-fetch syntax” on page 750](#)

FETCH syntax



Notes:

single-row-fetch syntax



Description

The following keyword parameters are defined for the FETCH statement:

INTO *host-variable*

Specifies a list of host variables. Each *host-variable* must identify a structure or variable that is described in the application program in accordance with the rules for declaring host structures and variables. A reference to a structure is replaced by a reference to each of its variables. The first value in the result row is assigned to the first host variable, the second value to the second host variable, and so on.

INTO DESCRIPTOR *descriptor-name*

Identifies an SQLIMSDA that contains a valid description of the host output variables. Result values from the associated SELECT statement are returned to the application program in the output host variables.

Before the FETCH statement is processed, you must set the following fields in the SQLIMSDA:

- SQLIMSN to indicate the number of SQLIMSVAR occurrences provided in the SQLIMSLDA
- SQLIMSABC to indicate the number of bytes of storage allocated in the SQLIMSDA
- SQLIMSD to indicate the number of variables used in the SQLIMSDA when processing the statement
- SQLIMSVAR occurrences to indicate the attributes of the variables

The SQLIMSDA must have enough storage to contain all SQLIMSVAR occurrences. Each SQLIMSVAR occurrence describes a host variable or buffer into which a value in the result table is to be assigned. For more information on the SQLIMSDA, which includes a description of the SQLIMSVAR and an explanation on how to determine the number of SQLIMSVAR occurrences, see [“SQL descriptor area \(SQLIMSDA\)”](#) on page 775.

SQLIMSD must be set to a value greater than or equal to zero and less than or equal to SQLIMSN.

cursor-name

Identifies the cursor to be used in the fetch operation. The cursor name must identify a declared cursor or an allocated cursor. When the FETCH statement is executed, the cursor must be in the open state.

Example

Example 1: The FETCH statement fetches the results of the SELECT statement into the application program variables HOSPCODE and HOSPNAME. When no more rows remain to be fetched, the not found condition is returned.

```
EXEC SQLIMS
  DECLARE C1 CURSOR FOR DYSQL
END-EXEC.

EXEC SQLIMS
  PREPARE DYSQL FROM :SELECT-STATEMENT
END-EXEC

EXEC SQLIMS OPEN C1 END-EXEC.

EXEC SQLIMS FETCH C1 INTO :HOSPCODE, :HOSPNAME END-EXEC.

  IF SQLIMSCODE = 100
    PERFORM DATA-NOT-FOUND
  ELSE
    PERFORM GET-REST-OF-HOSP
    UNTIL SQLIMSCODE IS NOT EQUAL TO ZERO.

EXEC SQLIMS CLOSE C1 END-EXEC.
```

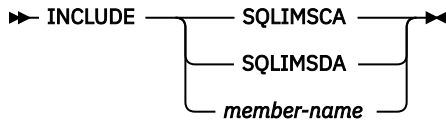
INCLUDE

The INCLUDE statement inserts application code, including declarations and statements, into a source program.

Invocation

This statement can be embedded only in a COBOL application program. It is not an executable statement.

Syntax



Description

The following keyword parameters are defined for the INCLUDE statement:

SQLIMSCA

Indicates that the description of an SQL communication area (SQLIMSCA) is to be included. INCLUDE SQLIMSCA must not be specified more than once in the same application program. In COBOL, INCLUDE SQLIMSCA must be specified in the Working-Storage Section or the Linkage Section.

For a description of the SQLIMSCA, see [“SQL communication area \(SQLIMSCA\)”](#) on page 773.

SQLIMSDA

Indicates that the description of an SQL descriptor area (SQLIMSDA) is to be included. For a description of the SQLIMSDA, see [“SQL descriptor area \(SQLIMSDA\)”](#) on page 775.

member-name

Names a member of the partitioned data set to be the library input when your application program is prepared (with the IMS coprocessor). It must be an SQL identifier.

The member can contain any host language source statements and any SQL statements other than an INCLUDE statement. In COBOL, INCLUDE *member-name* must not be specified in other than the Data Division or the Procedure Division.

Notes

When your application program is prepared (with the IMS coprocessor), the INCLUDE statement is replaced by source statements. Thus, the INCLUDE statement must be specified at a point in your application program where the resulting source statements are acceptable to the compiler.

The INCLUDE statement cannot refer to source statements that themselves contain INCLUDE statements.

Example

Include an SQL communications area in a COBOL program.

```
EXEC SQLIMS INCLUDE SQLIMSCA END-EXEC.
```

INSERT

The INSERT statement inserts rows into a table.

The INSERT via VALUES form is used to insert a single row into the table using the values provided or referenced.

Invocation

This statement can be embedded in a COBOL or Java application program or issued interactively. An INSERT can be embedded in an application program. It is an executable statement that can be dynamically prepared.

- [“Syntax for COBOL” on page 753](#)
- [“Syntax for Java” on page 753](#)

Syntax for COBOL

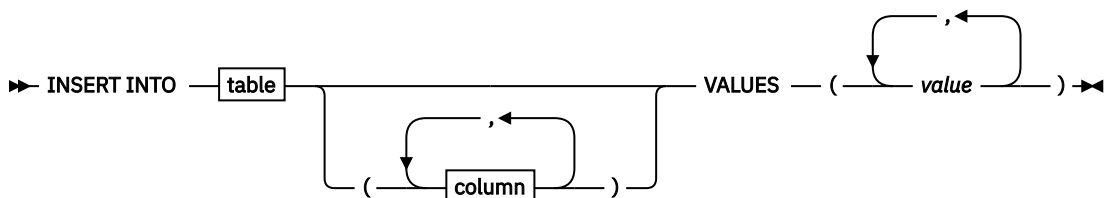
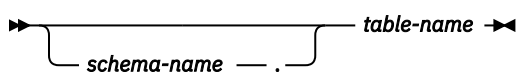
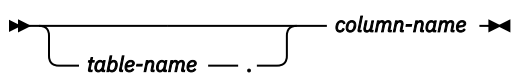


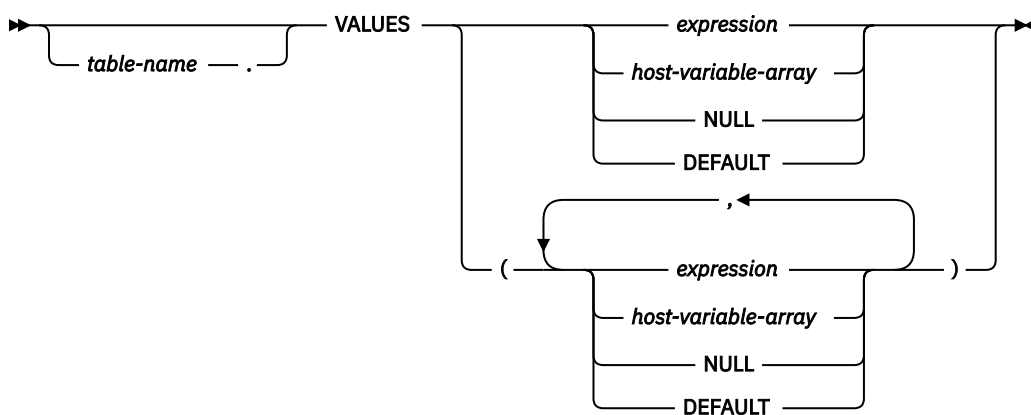
table syntax



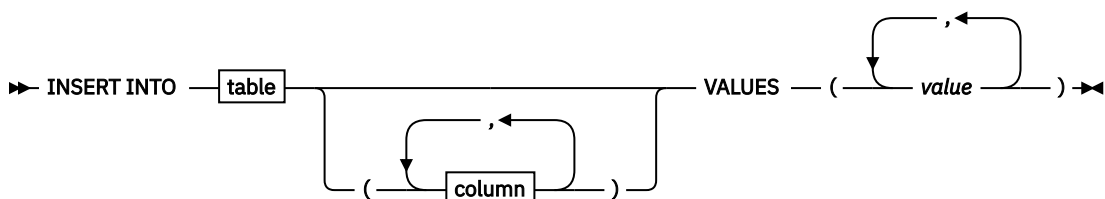
column syntax



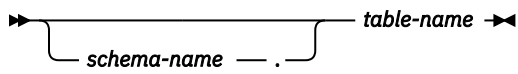
multi-row-insert syntax



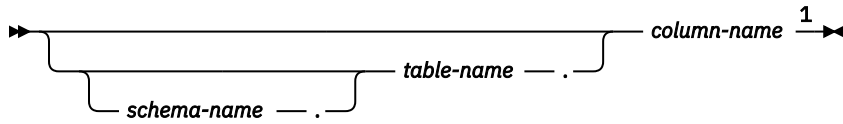
Syntax for Java



table



column



Notes:

¹ You can have the same column name in multiple tables, but if the table is not qualified, each table must be searched for the column.

Description

The following keyword parameters are defined for the INSERT statement:

INSERT INTO

Identifies the object of the INSERT statement.

table-name

The *table-name* defines the name of the table in your SQL query. The name must identify a segment in IMS.

schema-name

The *schema-name* defines the schema in your SQL query. In IMS, the schema name is the PCB name.

column-name

Specifies the columns for which insert values are provided. Each name must identify a field of the segment. The columns can be identified in any order, but the same column must not be identified more than one time.

Omission of the column list is an implicit specification of a list in which every column in the table is identified in the order identified by the metadata.

VALUES

Specifies one new row in the form of a list of values. The number of values in the VALUES clause must be equal to the number of names in the column list. The first value is inserted in the first column in the list, the second value in the second column, and so on. The list of values must be enclosed in parentheses.

Notes

Insert rules:

Insert values must satisfy the following rules. If they do not, or if any other errors occur during the execution of the INSERT statement, no rows are inserted and the position of the cursors are not changed.

- *Length.* If the insert value of a column is a number, the column must be a numeric column with the capacity to represent the integral part of the number. If the insert value of a column is a string, the column must be either a string column with a length attribute at least as great as the length of the string, or a datetime column if the string represents a date, time, or timestamp.
- *Referential constraints.* When inserting a record in a table at a non-root level, you must specify values for all the foreign key fields of the table. Foreign key fields properly position the new record (or segment instance) to be inserted in the hierarchic path using standard SQL processing, similar to foreign keys in a relational database.
- *Omitting the column list.* When you omit the column list, you must specify a value for every column that was present in the table when the INSERT statement was bound or (for dynamic execution) prepared.

Number of rows inserted:

For COBOL, the value of SQLIMSERRD(3) in the SQLIMSCA is the number of rows inserted after an INSERT statement completes execution. For a complete description of the SQLIMSCA, see “[SQL communication area \(SQLIMSCA\)](#)” on page 773.

Inserting binary fields:

For COBOL, when inserting a binary field, you must use a parameter marker to specify the binary value. Not using a parameter marker would result in a 408 (data type not compatible) error.

Examples**Inserting data at the root**

The following statement inserts a new HOSPITAL record:

```
INSERT INTO PCB01.HOSPITAL (HOSPCODE, HOSPNAME)
VALUES ('R1210050000A', 'O' 'MALLEY CLINIC')
```

Inserting data into a specified table in a hierarchic path

When inserting a record in a table at a non-root level, you must specify values for all the virtual foreign key fields of the table. The following statement inserts a new ILLNESS record under a specific HOSPITAL, WARD, and PATIENT table. In this example, the ILLNESS table has three virtual foreign keys HOSPITAL_HOSPCODE, WARD_WARDNO, and PATIENT_PATNUM. The new record will be inserted if and only if there is a HOSPCODE in the HOSPITAL table with the value of 'H5140070000H', a WARD table with a WARDNO value of '01', and a PATIENT table with PATNUM value of 'R1210050000A'.

```
INSERT INTO PCB01.ILLNESS (HOSPITAL_HOSPCODE, WARD_WARDNO,
ILLNAME, PATIENT_PATNUM)
VALUES ('H5140070000H', '01', 'COLD', 'R1210050000A')
```

The following statement inserts a new WARD record under a specific HOSPITAL table. In this example, the WARD table has the virtual foreign key HOSPITAL_HOSPCODE. The new record will be inserted if and only if there is a HOSPCODE in the HOSPITAL table with the value of 'H5140070000H'.

```
INSERT INTO PCB01.WARD (WARDNO, HOSPITAL_HOSPCODE, WARDNAME)
VALUES ('0001', 'H5140070000H', 'EMGY')
```

Inserting data in a searchable field with subfields

If a searchable field consists of subfields, you can insert data by setting all the subfield values such that the searchable field is completely populated.

Inserting a record at a non-root level without specifying virtual foreign key fields

In this statement, the WARD_WARDNO virtual foreign key field is missing. The query will fail because it violates the referential integrity constraint that all foreign keys must be provided with legal values.

```
INSERT INTO PCB01.PATIENT (HOSPITAL_HOSPCODE, PATNAME, PATNUM)
VALUES ('HW3201', 'JOHN O' 'CONNER', 'Z800')
```

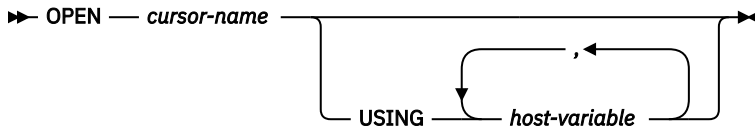
OPEN

The OPEN statement opens a cursor so that it can be used to process rows from its result table.

Invocation

This statement can be embedded only in a COBOL application program. It is an executable statement that cannot be dynamically prepared.

Syntax



Description

The following keyword parameters are defined for the OPEN statement:

cursor-name

Identifies the cursor to be opened. The *cursor-name* must identify a declared cursor as explained in “[DECLARE CURSOR](#)” on page 743. When the OPEN statement is executed, the cursor must be in the closed state.

The SELECT statement of the cursor is either one of the following types of SELECT statements:

- The prepared SELECT statement that is identified by the *statement-name* that is specified in the DECLARE CURSOR statement.

If the statement has not been successfully prepared, or is not a SELECT statement, the cursor cannot be successfully opened.

The result table of the cursor is derived by evaluating the SELECT statement. The evaluation uses the current values of any host variables that are specified in the USING clause of the OPEN statement. The rows of the result table can be derived during the execution of the OPEN statement. The cursor is placed in the open state and positioned before the first row of its result table.

USING

Introduces a list of host variables whose values are substituted for the parameter markers (question marks):

- If the DECLARE CURSOR statement included *statement-name*, the statement was prepared with a PREPARE statement. The host variables specified in the USING clause of the OPEN statement replace any parameter markers in the prepared statement. This reflects the typical use of the USING clause of the OPEN statement. For an explanation of parameter marker replacement, see “[PREPARE](#)” on page 757.

If the prepared statement includes parameter markers, you must use USING. If the prepared statement does not include parameter markers, USING is ignored.

host-variable

Identifies host structures or variables that must be described in the application program in accordance with the rules for declaring host structures and variables. When the statement is executed, a reference to a structure is replaced by a reference to each of its variables. The number of variables must be the same as the number of parameter markers in the prepared statement. The *n*th variable corresponds to the *n*th parameter marker in the prepared statement. Where appropriate, locator variables can be provided as the source of values for parameter markers.

Notes

Closed state of cursors: All cursors in an application process are in the closed state when:

- The application process is started.
- A new unit of work is started for the application process.

A cursor can also be in the closed state because:

- A CLOSE statement was executed.
- An error was detected that made the position of the cursor unpredictable.

To retrieve rows from the result table of a cursor, you must execute a FETCH statement when the cursor is open. The only way to change the state of a cursor from closed to open is to execute an OPEN statement.

Parameter marker replacement: Before the OPEN statement is executed, each parameter marker in the query is effectively replaced by its corresponding host variable. The replacement is an assignment operation in which the source is the value of the host variable and the target is a variable within IMS. The assignment rules are those described for assignment to a column in [“Assignment and comparison”](#) on page 592.

When the SELECT statement of the cursor is evaluated, each parameter marker in the statement is effectively replaced by the value of its corresponding host variable. For more on the process of replacement, see [Parameter marker replacement](#).

Examples

Example 1: Execute an OPEN statement, which places the cursor at the beginning of the rows to be fetched.

```
EXEC SQLIMS
  DECLARE C1 CURSOR FOR DYSQL
END-EXEC.

EXEC SQLIMS
  PREPARE DYSQL FROM :SELECT-STATEMENT
END-EXEC

EXEC SQLIMS OPEN C1 END-EXEC.

EXEC SQLIMS FETCH C1 INTO :HOSPCODE, :HOSPNAME, :WARDNAME, :PATNAME END-EXEC.

  IF SQLIMSCODE = 100
    PERFORM DATA-NOT-FOUND
  ELSE
    PERFORM GET-REST-OF-HOSP
    UNTIL SQLIMSCODE IS NOT EQUAL TO ZERO.

EXEC SQLIMS CLOSE C1 END-EXEC.
```

PREPARE

The PREPARE statement creates an executable SQL statement from a string form of the statement. The character-string form is called a *statement string*. The executable form is called a *prepared statement*.

Invocation

This statement can be embedded only in a COBOL application program. It is an executable statement that can be dynamically prepared.

Syntax

➤ PREPARE — *statement-name* — FROM — *host-variable* ➤

Description

The following keyword parameters are defined for the PREPARE statement:

statement-name

Names the prepared statement. If the name identifies an existing prepared statement, that prepared statement is destroyed. The name must not identify a prepared statement that is the SELECT statement of an open cursor.

FROM

Specifies the statement string. The statement string is the value of the identified *host-variable*.

host-variable

Must identify a host variable that is described in the application program in accordance with the rules for declaring variable-length string variables for statement string. The length of the SQL statement cannot be over 32767.

Notes

Rules for statement strings: The value of the specified *statement-name* is called the *statement string*. The statement string must be declared with a varying-length character host variable. The first two bytes must contain the length of the SQL statement. The maximum length of the SQL statement is 32,767. For example:

```
01 STMTSTR.  
49 STMTSTR-LEN PIC S9(4) COMP VALUE +180.  
49 STMTSTR-TXT PIC X(180) VALUE SPACES.
```

The statement string must be one of the following SQL statements:

- DELETE
- INSERT
- SELECT
- UPDATE

The statement string must not:

- Begin with EXEC SQLIMS
- End with END-EXEC or a semicolon
- Include references to host variables

Parameter markers: Although a statement string cannot include references to host variables, it can include *parameter markers*. The parameter markers are replaced by the values of host variables when the prepared statement is executed. A parameter marker is a question mark (?) that appears where a host variable could appear if the statement string were a static SQL statement. For an explanation of how parameter markers are replaced by values, see [“EXECUTE” on page 749](#) and [“OPEN” on page 755](#).

Error checking: When a PREPARE statement is executed, the statement string is parsed and checked for errors. If the statement string is invalid, a prepared statement is not created and the error condition that prevents its creation is reported in the SQLIMSCA.

Reference and execution rules: Prepared statements can be referred to in the following kinds of statements, with the following restrictions shown:

DESCRIBE

No restrictions

DECLARE CURSOR

Must be SELECT when the cursor is opened

EXECUTE

Must not be SELECT

Scope of a statement name: The scope of a *statement-name* is the same as the scope of a *cursor-name*. See [“DECLARE CURSOR” on page 743](#) for more information about the scope of a *cursor-name*.

Examples

Example 1: Prepare a dynamic SELECT statement with a host variable on the PREPARE statement. The text of the SELECT statement is in a variable named SELECT-STATEMENT.

In the example, the statement text in host variable SELECT-STATEMENT is SELECT HOSPCODE, HOSPNAME, WARDNAME, PATNAME FROM PCB01.HOSPITAL, WARD,PATIENT.

```
EXEC SQLIMS
DECLARE C1 CURSOR FOR DYSQL
END-EXEC.

EXEC SQLIMS
PREPARE DYSQL FROM :SELECT-STATEMENT
END-EXEC

EXEC SQLIMS OPEN C1 END-EXEC.

EXEC SQLIMS FETCH C1 INTO :HOSPCODE, :HOSPNAME, :WARDNAME, :PATNAME END-EXEC.

IF SQLIMSCODE = 100
PERFORM DATA-NOT-FOUND
ELSE
PERFORM GET-REST-OF-HOSP
UNTIL SQLIMSCODE IS NOT EQUAL TO ZERO.

EXEC SQLIMS CLOSE C1 END-EXEC.
```

Example 2: Prepare a dynamic INSERT statement with parameter markers and is executed.

For the INSERT statement:

```
INSERT INTO PCB01.HOSPITAL HOSPCODE, HOSPNAME VALUES(?,?)
```

The following statement prepares and executes the INSERT statement with parameter marker. Before execution, the values for the parameter markers are read into the host variables S1, S2.

```
EXEC SQLIMS
PREPARE DYSQL FROM :INSERT-STATEMENT
END-EXEC

EXEC SQLIMS
EXECUTE USING :S1, :S2
END-EXEC.
```

SELECT

The SELECT statement is used to retrieve data from one or more tables. The result is returned in a tabular result set.

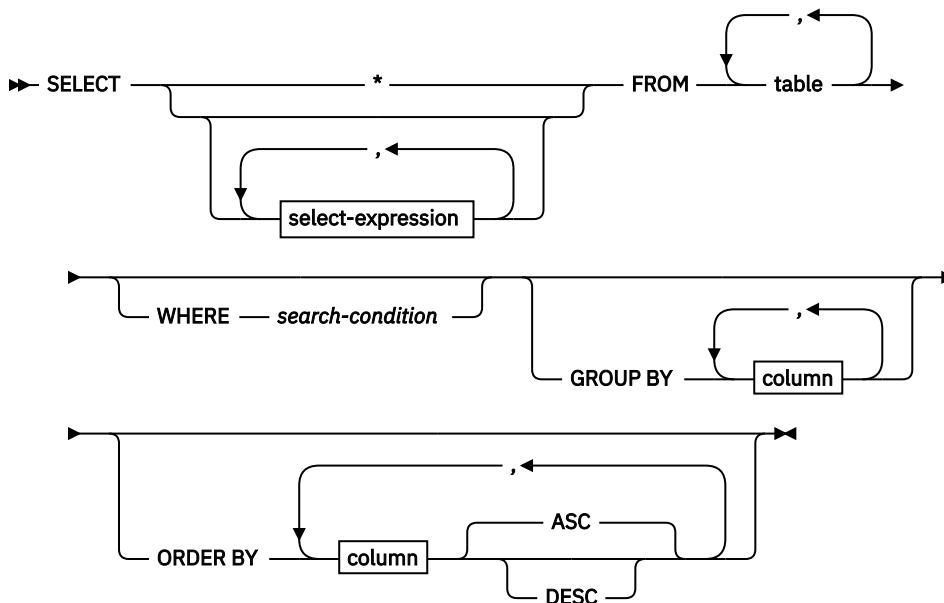
Invocation

This statement can be used in COBOL or Java application programs, but the syntax is different.

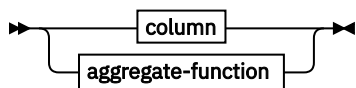
For COBOL application programs, this is an executable statement that cannot be dynamically prepared.

- [Syntax for COBOL](#)
- [Syntax for Java](#)

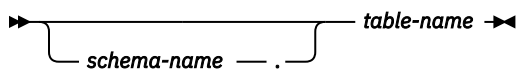
Syntax for COBOL



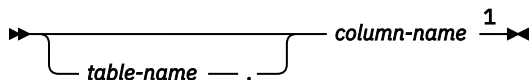
select-expression



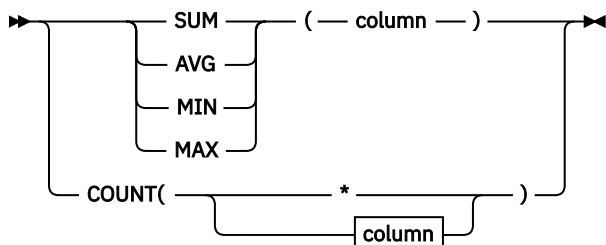
table



column



aggregate-function

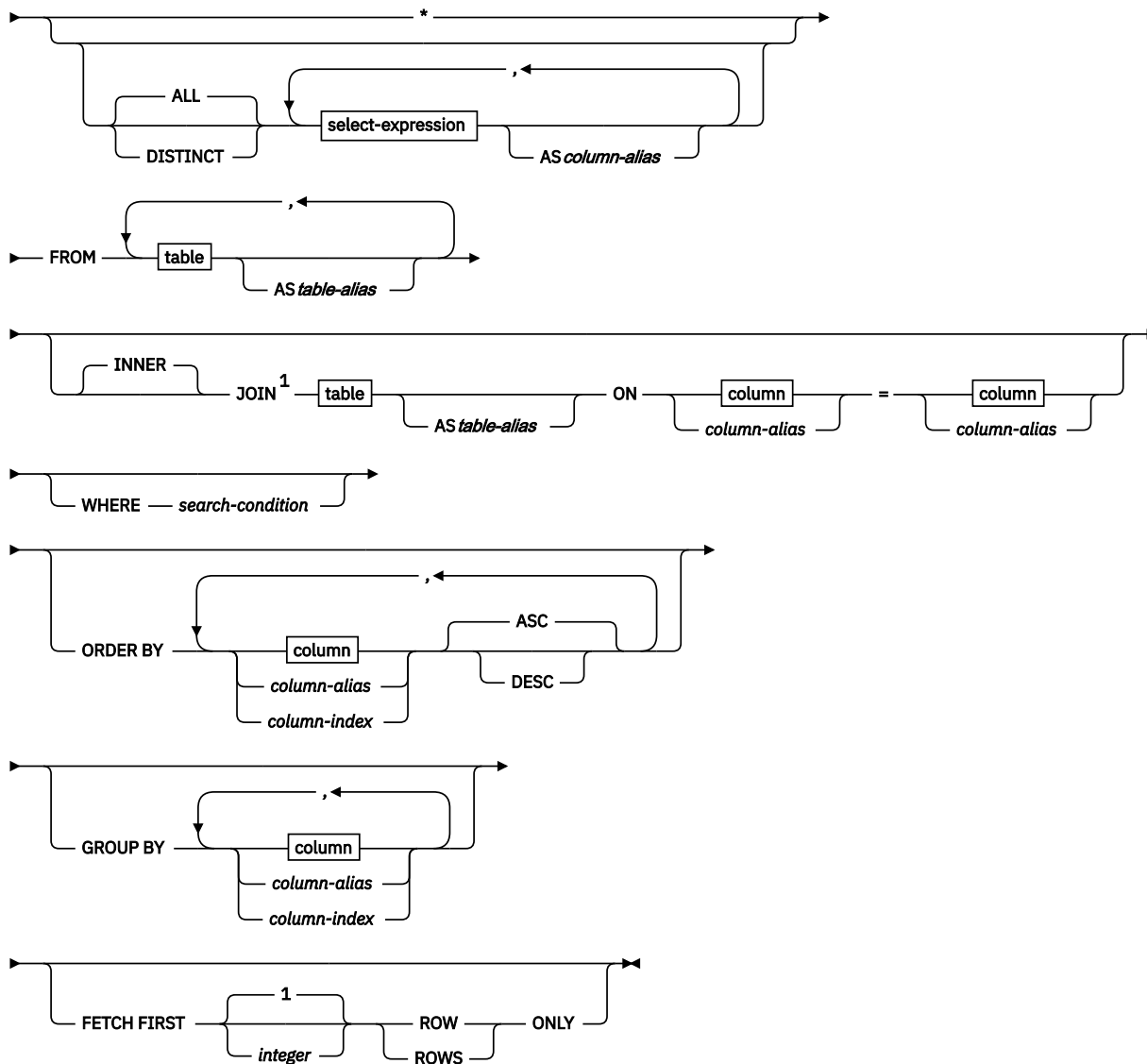


Notes:

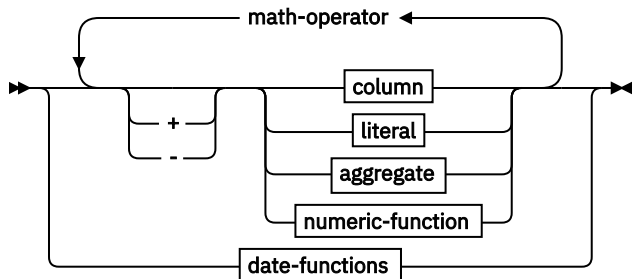
¹ You can have the same column name in multiple tables, but if the table is not qualified, an ambiguity check is performed to determine the table that the column belongs to.

Syntax for Java

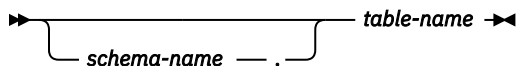
→ SELECT →



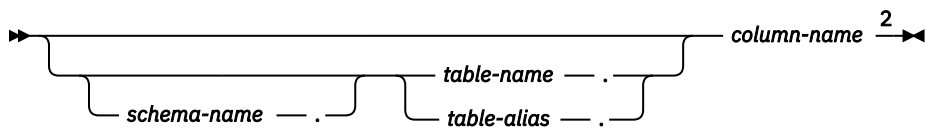
select-expression



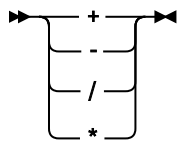
table



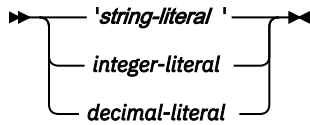
column



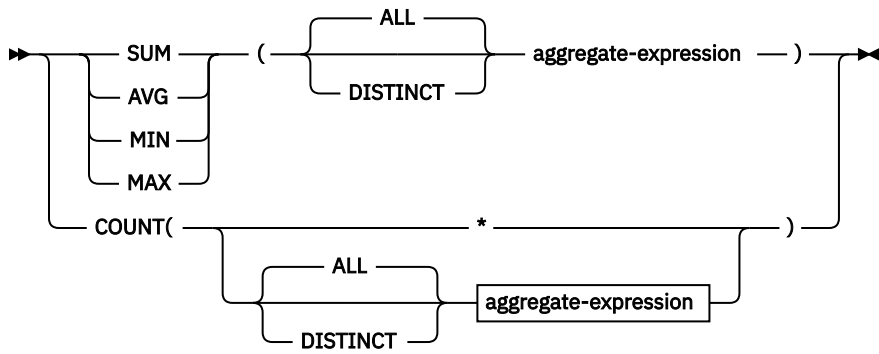
math-operator



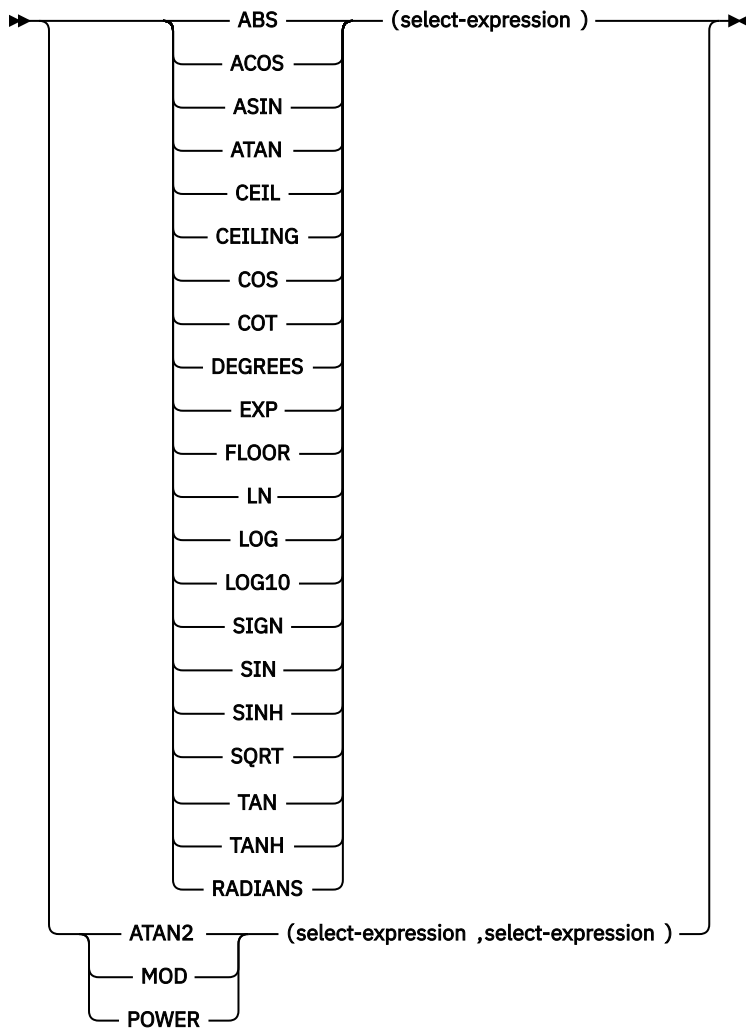
literal



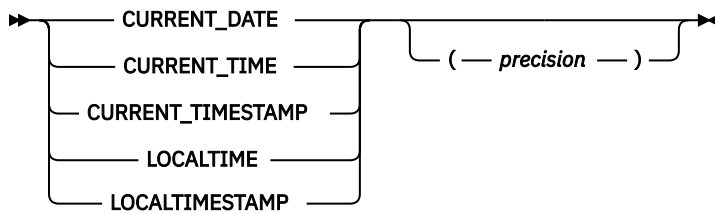
aggregate



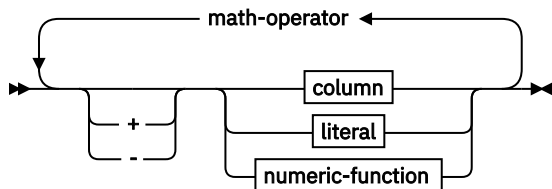
numeric-function



date-functions



aggregate-expression



Notes:

- ¹ JOIN tables must have referential integrity, expressed by the key field of a parent segment and the virtual foreign key of the dependent segment. You cannot specify both a comma separated list of tables and a JOIN statement.
- ² You can have the same column name in multiple tables, but if the table is not qualified, each table must be searched for the column.

Description

The following keyword parameters are defined for the SELECT statement:

ALL

Retains all rows of the final result table and does not eliminate redundant duplicates. This is the default.

DISTINCT

Eliminates all but one of each set of duplicate rows of the final result table. This keyword is valid only for Java application programs.

Two rows are duplicates of one another only if each value in the first row is equal to the corresponding value in the second row. For determining duplicate rows, two null values are considered equal.

AS *column-alias*

Names or renames the result column. The name must be unique. The AS clause is not supported in COBOL or .NET application programs.

FROM *table-name*

Identifies the table from which rows are to be retrieved. The name must identify a segment in IMS.

AS *table-alias*

Renames the table. The name must be unique. The AS clause is not supported in COBOL or .NET application programs.

INNER JOIN JOIN

If a join operator is not specified, INNER is the default. The INNER JOIN keyword selects all rows from both tables as long as there is a match between the columns in both tables.

WHERE

Specifies the rows to be retrieved. You can omit the clause or give a search condition. When the clause is omitted, all the rows of the table are retrieved.

search-condition

Is any search condition as described in [“Search conditions” on page 600](#). Each *column-name* in the search condition must identify a column of the table.

The search condition is applied to each row of the table and the retrieved rows are those for which the result of the search condition is true.

ORDER BY

The ORDER BY clause specifies an ordering of the rows of the result table.

A column, *column-alias*, or a *column-index* that specifies the value that is to be used to order the rows of the result of the table.

The *column-index n* identifies the *n*th column of the result table.

ASC

Uses the values of the column, *column-alias*, or *column-index* in ascending order. ASC is the default.

DESC

Uses the values of the column, *column-alias*, or *column-index* in descending order.

GROUP BY

The GROUP BY clause specifies a result table that consists of a grouping of the rows of intermediate result table that is the result of the previous clause.

The result of GROUP BY is a set of groups of rows. In each group of more than one row, all values of each column, *column-alias*, or *column-index* are equal, and all rows with the same set of values of the column, *column-alias*, or *column-index* are in the same group. For grouping, all null values for a column, *column-alias*, or *column-index* are considered equal.

If your SELECT statement contains both aggregate and non-aggregate select-expressions, all of the non-aggregate select-expressions need to be in a GROUP BY clause.

schema-name

The *schema-name* defines the schema in your SQL query. In IMS, the schema name is the PCB name.

table-name

The *table-name* defines the name of the table in your SQL query. The name must identify a segment in IMS.

table-alias

The *table-alias* defines the alias that is defined in your SQL query that can be used in place of the *table-name*.

column-name

The *column-name* defines the name of the column in your SQL query.

column-name

The *column-name* defines the name of the column in your SQL query.

'string-literal'

A *'string-literal'* defines a static character string that is UTF-8 encoded.

integer-literal

An *integer-literal* defines an integer value within the range of -2,147,483,648 to 2,147,483,647.

decimal-literal

A *decimal-literal* defines a decimal value of double point precision.

SUM

The SUM function returns the sum of a set of numbers.

AVG

The AVG function returns the average of a set of numbers.

MIN

The MIN function returns the minimum value in a set of values.

MAX

The MAX function returns the maximum value in a set of values.

COUNT

The COUNT function returns the number of rows or values in a set of rows or values.

numeric functions:**ABS**

The ABS function returns the absolute value of a number.

ACOS

The ACOS function returns the arc cosine of the argument as an angle, expressed in radians. The ACOS and COS functions are inverse operations.

ASIN

The ASIN function returns the arc sine of the argument as an angle, expressed in radians. The ASIN and SIN functions are inverse operations.

ATAN

The ATAN function returns the arc tangent of the argument as an angle, expressed in radians. The ATAN and TAN functions are inverse operations.

CEIL**CEILING**

The CEILING function returns the smallest integer value that is greater than or equal to the argument.

COS

The COS function returns the cosine of the argument, where the argument is an angle, expressed in radians. The COS and ACOS functions are inverse operations.

COT

The COT function returns the cotangent of the argument, where the argument is an angle, expressed in radians. The COT and TAN functions are reciprocal operations.

DEGREES

The DEGREES function returns the number of degrees of the argument, which is an angle, expressed in radians.

EXP

The EXP function returns a value that is the base of the natural logarithm (e), raised to a power that is specified by the argument. The EXP and LN functions are inverse operations.

FLOOR

The FLOOR function returns the largest integer value that is less than or equal to the argument.

LN**LOG**

The LN and LOG function returns the natural logarithm of the argument. The LN and EXP functions are inverse operations.

LOG10

The LOG10 function returns the common logarithm (base 10) of a number.

SIGN

The SIGN function returns an indicator of the sign of the argument.

SIN

The SIN function returns the sine of the argument, where the argument is an angle, expressed in radians.

SINH

The SINH function returns the hyperbolic sine of the argument, where the argument is an angle, expressed in radians.

SQRT

The SQRT function returns the square root of the argument.

TAN

The TAN function returns the tangent of the argument, where the argument is an angle, expressed in radians.

TANH

The TANH function returns the hyperbolic tangent of the argument, where the argument is an angle, expressed in radians.

RADIANS

The RADIANS function returns the number of radians for an argument that is expressed in degrees.

ATAN2

The ATAN2 function returns the arc tangent of x and y coordinates as an angle, expressed in radians.

MOD

The MOD function divides the first argument by the second argument and returns the remainder.

POWER

The POWER function returns the value of the first argument to the power of the second argument.

CURRENT_DATE

The CURRENT_DATE special register specifies a date that is based on a reading of the time-of-day clock when the SQL statement is executed at the application.

CURRENT_TIME

The CURRENT_TIME special register specifies a time that is based on a reading of the time-of-day clock when the SQL statement is executed at the application.

precision

The *precision* specifies the fractions of a second. *precision* can range from 0 to 12. The default precision is 3.

CURRENT_TIMESTAMP

The CURRENT_TIMESTAMP special register specifies a timestamp that is based on a reading of the time-of-day clock when the SQL statement is executed at the application.

precision

The *precision* specifies the fractions of a second. *precision* can range from 0 to 12. The default precision is 6.

LOCALTIME

The LOCALTIME special register specifies a time that is based on a reading of the time-of-day clock when the SQL statement is executed at the application.

precision

The *precision* specifies the fractions of a second. *precision* can range from 0 to 12. The default precision is 3.

LOCALTIMESTAMP

The LOCALTIMESTAMP special register specifies a timestamp that is based on a reading of the time-of-day clock when the SQL statement is executed at the application.

precision

The *precision* specifies the fractions of a second. *precision* can range from 0 to 12. The default precision is 6.

Note

- If you are selecting from multiple tables and the same column name exists in one or more of these tables, you must table-qualify the column or an ambiguity error will occur.
- The FROM clause must list all the tables you are selecting data from. The tables listed in the FROM clause must be in the same hierarchic path in the IMS database.
- Because there are multiple database PCBs in a PSB, queries must specify which PCB in a PSB to use. To specify which PCB to use, always qualify segments that are referenced in the FROM clause of an SQL statement by prefixing the segment name with the PCB name. You can omit the PCB name only if the PSB contains only one PCB.

Examples

Selecting all fields with * symbol

The following statement retrieves all fields for the PATIENT table:

```
SELECT *
FROM PCB01.PATIENT
```

The following statement retrieves the hospital name from the HOSPITAL table and all fields from the WARD table:

```
SELECT HOSPITAL.HOSPNAME, WARD.*
FROM PCB01.HOSPITAL, PCB01.WARD
```

Selecting specified columns

The following statement retrieves the ward names and patient names from the WARD and PATIENT tables, respectively:

```
SELECT WARD.WARDNAME, PATIENT.PATNAME
FROM PCB01.WARD, PATIENT
```

Selecting with ORDER BY

The ORDER BY clause is used to sort the rows. By default, results are sorted by ascending numerical or alphabetical order. The following statement retrieves all distinct hospital names, sorted in alphabetical order:

```
SELECT DISTINCT HOSPNAME FROM PCB01.HOSPITAL
ORDER BY HOSPNAME
```

The following statement retrieves all ward names sorted in alphabetical order, and the number of patients in each ward sorted in ascending numerical order. If two WARDNAME values in the ORDER BY compare are equal, the tiebreaker will be their corresponding PATCOUNT values (in this case, the row with the numerically smaller corresponding PATCOUNT value is displayed first).

```
SELECT WARDNAME, PATCOUNT FROM PCB01.WARD
ORDER BY WARDNAME, PATCOUNT
```

Use the DESC qualifier to sort the query result in descending numerical or reverse alphabetical order. The following statement retrieves all patient names in reverse alphabetical order:

```
SELECT PATNAME FROM PCB01.PATIENT
ORDER BY PATNAME DESC
```

Use the ASC qualifier to explicitly sort the query result in ascending numerical or reverse alphabetical order. The following statement retrieves all ward names sorted in ascending alphabetical order, and the number of patients in each ward sorted in descending numerical order:

```
SELECT WARDNAME, PATCOUNT FROM PCB01.WARD
ORDER BY WARDNAME ASC, PATCOUNT DESC
```

Selecting with GROUP BY

The GROUP BY clause is used to return results for aggregate functions, grouped by column values. The following statement returns the aggregated sum of all doctors in every ward in a hospital, grouped by distinct ward names :

```
SELECT WARDNAME, SUM(DOCCOUNT)
FROM PCB01.WARD
WHERE HOSPITAL_HOSPCODE = 'H5140070000H'
GROUP BY WARDNAME
```

The following statement returns the hospital name, ward name, and the count of all patients in each ward in each hospital, grouped by distinct hospital names and sub-grouped by ward names:

```
SELECT HOSPNAME, WARDNAME, COUNT(PATNAME)
FROM PCB01.HOSPITAL, WARD, PATIENT
GROUP BY HOSPNAME, WARDNAME
```

Selecting with DISTINCT

For SQL for the IMS Universal JDBC driver, the DISTINCT keyword is supported. The following statement retrieves all distinct patient names from the PATIENT table for SQL:

```
SELECT DISTINCT PATNAME
FROM PCB01.PATIENT
```

Using the AS clause

For SQL for the IMS Universal JDBC driver, use the AS clause to rename the aggregate function column in the result set or any other field in the SELECT statement. The AS clause is not supported for SQL for COBOL application programs.

For SQL for the IMS Universal JDBC driver, the DISTINCT keyword is supported. The following statement returns the aggregate count of distinct patients in the PATIENT table with the alias of "PATIENTCOUNT":

```
SELECT COUNT(DISTINCT PATNAME)
AS PATIENTCOUNT
FROM PCB01.PATIENT
```

The following statement returns the aggregate count of distinct wards in all hospitals with the alias of "WARDCOUNT", sorted by the hospital names in alphabetical order, and grouped by distinct hospital names (under a renamed column alias "HOSPITALNAME"):

```
SELECT HOSPNAME AS HOSPITALNAME, COUNT(DISTINCT WARDNAME)
AS WARDCOUNT
FROM PCB01.HOSPITAL, WARD
```

```
GROUP BY HOSPNAME
ORDER BY HOSPNAME
```

Example of SELECT using a parameter marker:

The following statement retrieves data based on the value that is supplied for the parameter for HOSPNAME:

```
SELECT * FROM PCB01.HOSPITAL WHERE HOSPNAME = ?
```

Example of using the FETCH FIRST clause:

The following statement fetches the first *n* number of rows returned:

```
SELECT HOSPNAME FROM PCB01.HOSPITAL FETCH FIRST 3 ROWS ONLY
```

Examples of invalid SELECT queries:

The following statement is invalid because the FROM clause is missing the WARD table:

```
SELECT WARD.WARDNAME, PATIENT.PATNAME
FROM PCB01.PATIENT
```

Related reference

[SQL aggregate functions supported by the IMS JDBC drivers \(Application Programming\)](#)

[SQL aggregate functions supported for COBOL \(Application Programming\)](#)

UPDATE

The UPDATE statement updates the values of specified columns in rows of a table.

The *searched* UPDATE form is used to update one or more rows optionally determined by a search condition.

Invocation

This statement can be embedded in a COBOL or Java application program or issued interactively. An UPDATE can be embedded in an application program. It is an executable statement that can be dynamically prepared.

- [“Syntax for COBOL” on page 769](#)
- [“Syntax for Java” on page 770](#)

Syntax for COBOL

update

```
➤➤ UPDATE — table — SET — assignment-clause — WHERE — search-condition — ➤➤
```

table

```
➤➤ schema-name — . — table-name — ➤➤
```

assignment clause

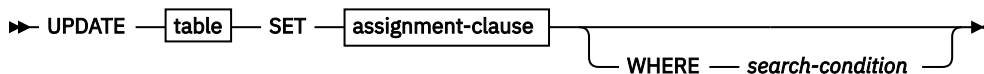
```
➤➤ column — = — value — ➤➤
```

column

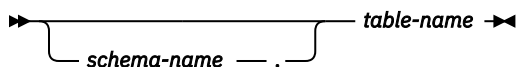
```
➤➤ table-name — . — column-name — ➤➤
```

Syntax for Java

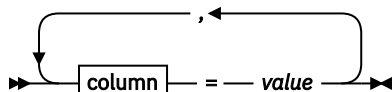
update



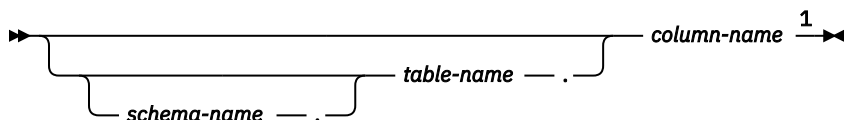
table



assignment clause



column



Notes:

¹ You can have the same column name in multiple tables, but if the table is not qualified, each table must be searched for the column.

Description

The following keyword parameters are defined for the UPDATE statement:

UPDATE

Identifies the object of the UPDATE statement.

table-name

The *table-name* defines the name of the table in your SQL query. The name must identify a segment in IMS.

schema-name

The *schema-name* defines the schema in your SQL query. In IMS, the schema name is the PCB name.

SET

Introduces the assignment of values to column names.

column-name

Identifies a column that is to be updated. *column-name* must identify a field of the specified segment.

WHERE

Specifies the rows to be updated. You can omit the clause or give a search condition. When the clause is omitted, all the rows of the table are updated.

search-condition

Is any search condition as described in [“Search conditions” on page 600](#). Each *column-name* in the search condition must identify a column of the table.

The search condition is applied to each row of the table and the rows are those for which the result of the search condition is true are updated.

value

Indicates the new value of the column.

schema-name

The *schema-name* defines the schema in your SQL query. In IMS, the schema name is the PCB name.

table-name

The *table-name* defines the name of the table in your SQL query.

column-name

The *column-name* defines the name of the column in your SQL query.

Notes

Update rules:

Update values must satisfy the following rules. If they do not, or if other errors occur during the execution of the UPDATE statement, no rows are updated and the position of the cursors are not changed.

- *Assignment.* Update values are assigned to columns using the assignment rules described in [“Language elements” on page 587](#).
- When updating a record in a table at a non-root level, you must specify values for all the foreign key fields of the table to identify the exact record (or segment instance) to update.
- Making an UPDATE on a foreign key field is invalid.

Number of rows updated:

For COBOL, the value of SQLIMSERRD(3) in the SQLIMSCA is the number of rows updated after an UPDATE statement completes execution. For a complete description of the SQLIMSCA, including exceptions to the preceding sentence, see [“SQL communication area \(SQLIMSCA\)” on page 773](#).

Examples

Updating one column in a record

The following statement updates the root:

```
UPDATE HOSPITAL SET HOSPNAME = 'MISSION CREEK'
WHERE HOSPITAL.HOSPCODE = 'H001007'
```

Updating multiple fields in a specified record in a hierarchic path

Foreign keys are used to maintain referential integrity by identifying the exact record (or segment instance) to update. The following statement updates a WARD record under a specific HOSPITAL. In this example, the WARD table has the virtual foreign key HOSPITAL_HOSPCODE. The record will be updated if and only if there is a HOSPCODE in the HOSPITAL table with the value of 'H5140070000H'.

```
UPDATE WARD SET WARDNAME = 'EMGY',
DOCCOUNT = '2', NURCOUNT = '4'
WHERE HOSPITAL_HOSPCODE = 'H5140070000H'
AND WARDNO = '01'
```

Example of an invalid UPDATE query

This statement is invalid because it does not use the correct syntax to specify a legal value for the virtual foreign key field (HOSPITAL_HOSPCODE).

```
UPDATE WARD SET WARDNAME = 'EMGY',
DOCCOUNT = '2', NURCOUNT = '4'
WHERE HOSPITAL.HOSPCODE = 'H5140070000H'
AND WARDNO = '01'
```

Example of an invalid foreign key field UPDATE query

Making an UPDATE query on a foreign key field is invalid. For example, the following UPDATE query will fail:

```
UPDATE WARD SET WARDNAME = 'EMGY',
HOSPITAL_HOSPCODE = 'H5140070000H'
WHERE WARDNO = '01'
```

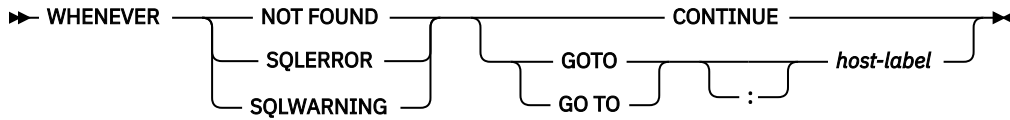
WHENEVER

The WHENEVER statement specifies the host language statement to be executed when a specified exception condition occurs.

Invocation

This statement can be embedded only in a COBOL application program. It is not an executable statement.

Syntax



Description

The following keyword parameters are defined for the WHENEVER statement:

The NOT FOUND, SQLERROR, or SQLWARNING clause is used to identify the type of exception condition.

NOT FOUND

Identifies any condition that results in an SQLIMSCODE of +100 (equivalently, an SQLIMSSTATE code of '02000').

SQLERROR

Identifies any condition that results in a negative SQLIMSCODE.

SQLWARNING

Identifies any condition that results in a warning condition (SQLIMSWARN0 is W), or that results in a positive SQLIMSCODE other than +100.

The CONTINUE or GO TO clause specifies the next statement to be executed when the identified type of exception condition exists.

CONTINUE

Specifies the next sequential statement of the source program.

GOTO or GO TO *host-label*

Specifies the statement identified by *host-label*. For *host-label*, substitute a single token, optionally preceded by a colon. The form of the token depends on the host language. In COBOL, for example, it can be *section-name* or an unqualified *paragraph-name*.

Notes

There are three types of WHENEVER statements:

- WHENEVER NOT FOUND
- WHENEVER SQLERROR
- WHENEVER SQLWARNING

Every executable SQL statement in an application program is within the scope of one implicit or explicit WHENEVER statement of each type. The scope of a WHENEVER statement is related to the listing sequence of the statements in the application program, not their execution sequence.

An SQL statement is within the scope of the last WHENEVER statement of each type that is specified before that SQL statement in the source program. If a WHENEVER statement of some type is not specified before an SQL statement, that SQL statement is within the scope of an implicit WHENEVER statement of that type in which CONTINUE is specified.

Examples

The following statements can be embedded in a COBOL program.

Example 1: Go to the label HANDLER for any statement that produces an error.

```
EXEC SQLIMS WHENEVER SQLERROR GOTO HANDLER END-EXEC.
```

Example 2: Continue processing for any statement that produces a warning.

```
EXEC SQLIMS WHENEVER SQLWARNING CONTINUE END-EXEC.
```

Example 3: Go to the label ENDDATA for any statement that does not return.

```
EXEC SQLIMS WHENEVER NOT FOUND GO TO ENDDATA END-EXEC.
```

SQL communication area (SQLIMSCA)

An SQLIMSCA is a structure or collection of variables that is updated after each SQL statement executes. An application program that contains executable SQL statements must provide exactly one SQLIMSCA.

In COBOL, the INCLUDE statement can be used to provide the declaration of the SQLIMSCA.

Description of SQLIMSCA fields

The SQLIMS INCLUDE statement provides SQLIMSCA field.

The names in the following table are those provided by the SQLIMS INCLUDE statement.

Table 169. Fields of SQLIMSCA

COBOL name	Data type	Purpose
SQLIMSCAID	CHAR(8)	An "eye catcher" for storage dumps, containing the text 'SQLIMSCA'.
SQLIMSCABC	INTEGER	Contains the length of the SQLIMSCA: 224.
SQLIMSCODE	INTEGER	Contains the SQL return code. (See note "2" on page 774)
		Code Means 0 Successful execution (though there might have been warning messages). positive Successful execution, but with a warning condition or other information. negative Error condition.
SQLIMSERRML (See note "1" on page 774)	SMALLINT	Length indicator for SQLIMSERRMC, in the range 0 through 255. 0 means that the value of SQLIMSERRMC is not pertinent.
SQLIMSERRMC (See note "1" on page 774)	VARCHAR(158)	Contains the error message.
SQLIMSERRP	CHAR(8)	Provides a product signature and, in the case of an error, diagnostic information such as the name of the module that detected the error. In all cases, the first three characters are 'DQF' or 'DFS' for IMS.

Table 169. Fields of SQLIMSCA (continued)

COBOL name	Data type	Purpose
SQLIMSERRD(1)	INTEGER	Reserved.
SQLIMSERRD(2)	INTEGER	Reserved.
SQLIMSERRD(3)	INTEGER	Contains the number of rows that qualified to be deleted, inserted, or updated after a DELETE, INSERT, or UPDATE statement.
SQLIMSERRD(4)	INTEGER	Reserved.
SQLIMSERRD(5)	INTEGER	Reserved.
SQLIMSERRD(6)	INTEGER	Reserved.
SQLIMSWARN0	CHAR(1)	Contains a blank if no other indicator is set to a warning condition (that is, no other indicator contains a W or Z). Contains a W if at least one other indicator contains a W or Z.
SQLIMSWARN1	CHAR(1)	Contains a W if the value of a string column was truncated when assigned to a host variable.
SQLIMSWARN2	CHAR(1)	Reserved.
SQLIMSWARN3	CHAR(1)	Contains a W if the number of result columns is larger than the number of host variables.
SQLIMSWARN4	CHAR(1)	Contains a W if a prepared UPDATE or DELETE statement does not include a WHERE clause.
SQLIMSWARN5	CHAR(1)	Contains a W if the SQL statement was not executed because it is not a valid SQL statement in IMS.
SQLIMSWARN6	CHAR(1)	Contains a W if a field is not initialized with the proper format for the INSERT statement because the field overlays with another field that is of a different type. ZONEDDECIMAL and PACKEDDECIMAL fields are initialized during the processing of an INSERT statement. If the field is overlaid by another field and the field cannot be initialized, W is set for the statement during the EXECUTE call.
SQLIMSWARN7	CHAR(1)	Reserved.
SQLIMSWARN8	CHAR(1)	Reserved.
SQLIMSWARN9	CHAR(1)	Reserved.
SQLIMSWARNA	CHAR(1)	Reserved.
SQLIMSSTATE	CHAR(5)	Contains a return code for the outcome of the most recent execution of an SQL statement (See note “2” on page 774).

Notes:

1. In COBOL, SQLIMSERRM includes SQLIMSERRML and SQLIMSERRMC. See the examples for the various host languages in “The included SQLIMSCA” on page 775.
2. For a description of the SQLIMSSTATE values, see [SQL codes \(Messages and Codes\)](#).

The included SQLIMSCA

The description of the SQLIMSCA that is given by INCLUDE SQLIMSCA is shown for COBOL.

COBOL:

```
01 SQLIMSCA GLOBAL.  
 05 SQLIMSCAID PIC X(8).  
 05 SQLIMSCABC PIC S9(9) COMP-5.  
 05 SQLIMSCODE PIC S9(9) COMP-5.  
 05 SQLIMSERRM.  
   49 SQLIMSERRML PIC S9(4) COMP-5.  
   49 SQLIMSERRMC PIC X(158).  
 05 SQLIMSERRP PIC X(8).  
 05 SQLIMSERRD PIC S9(9) COMP-5  
 05 SQLIMSWARN.  
   10 SQLIMSWARN0 PIC X.  
   10 SQLIMSWARN1 PIC X.  
   10 SQLIMSWARN2 PIC X.  
   10 SQLIMSWARN3 PIC X.  
   10 SQLIMSWARN4 PIC X.  
   10 SQLIMSWARN5 PIC X.  
   10 SQLIMSWARN6 PIC X.  
   10 SQLIMSWARN7 PIC X.  
 05 SQLIMSEXT.  
   10 SQLIMSWARN8 PIC X.  
   10 SQLIMSWARN9 PIC X.  
   10 SQLIMSWARNA PIC X.  
   10 SQLIMSSTATE PIC X(5).
```

SQL descriptor area (SQLIMSDA)

An SQLIMSDA is a collection of variables that is required for execution of the SQLIMS DESCRIBE statement, and can be optionally used by the FETCH statements. An SQLIMSDA can be used in a DESCRIBE statement, modified with the addresses of host variables, and then reused in a FETCH statement.

The meaning of the information in an SQLIMSDA depends on the context in which it is used. For DESCRIBE, IMS sets the fields in the SQLIMSDA to provide information to the application program. For FETCH, the application program sets the fields in the SQLIMSDA to provide IMS with information:

DESCRIBE *statement-name*

With the exception of SQLIMSN, IMS sets fields of the SQLIMSDA to provide information to an application program about a prepared statement. Each SQLIMSVAR occurrence describes a column of the result table.

FETCH

The application program sets fields of the SQLIMSDA to provide information about host variables or output buffers in the application program to IMS. Each SQLIMSVAR occurrence describes a host variable or output buffer.

- For FETCH, each SQLIMSVAR occurrence describes a host variable or buffer in the application program that is to be used to contain an output value from a row of the result.

Description of SQLIMSDA fields

An SQLIMSDA consists of four variables, a header, and an arbitrary number of occurrences of a sequence of variables collectively named SQLIMSVAR.

In DESCRIBE, each occurrence of the SQLIMSVAR describes the column of a table. In FETCH, each occurrence describes a host variable.

The SQLIMSDA header

The fields in the SQLIMSDA header have different usage depending on whether the SQLIMSDA is being used in a DESCRIBE or FETCH statement.

The following table describes the fields in the SQLIMSDA header.

Table 170. Fields of the SQLIMSDA header

COBOL name	Data type	Usage in DESCRIBE	Usage in FETCH
sqlimsdaid SQLIMSDAID	CHAR(8)	An "eye catcher" for storage dumps, containing the text 'SQLIMSDA '.	SQLIMSDAID is not used.
sqlimsdabc SQLIMSDABC	INTEGER	Length of the SQLIMSDA, equal to $SQLIMSN \times 44 + 16$.	Length of the SQLIMSDA, greater than or equal to $SQLIMSN \times 44 + 16$.
sqlimsn SQLIMSN	SMALLINT	The field must be set to a value greater than or equal to zero before the statement is executed. The field indicates the total number of occurrences of SQLIMSVAR. In COBOL, the included SQLIMSDA contains up to 750 occurrences of SQLIMSVAR.	Total number of occurrences of SQLIMSVAR provided in the SQLIMSDA. SQLIMSN must be set to a value greater than or equal to zero. In COBOL, the included SQLIMSDA contains up to 750 occurrences of SQLIMSVAR.
sqlimsd SQLIMSD	SMALLINT	The number of columns described by occurrences of SQLIMSVAR.	The number of host variables described by occurrences of SQLIMSVAR.

SQLIMSVAR entries

For each column or host variable described by the SQLIMSDA, it is described using the SQLIMSVAR entry.

The fields of this entry contain the base information about the column or host variable such as data type code, length attribute (except for LOBs), column name, host variable address, and indicator variable address.

Determining how many SQLIMSVAR occurrences are needed

The number of SQLIMSVAR occurrences needed depends on the statement that the SQLIMSDA was provided for and the data types of the columns or parameters being described.

The included SQLIMSDA provides up to 750 occurrences of SQLIMSVAR. The SQLIMSD is set to the number of columns in the result and represents the number of SQLIMSVAR occurrences needed. If an insufficient number of SQLIMSVAR occurrences were provided, IMS returns a +239 warning in SQLIMSCODE.

SQLIMSD is set to the number of columns in the result.

Field descriptions of an occurrence of a base SQLIMSVAR

The fields of a base SQLIMSVAR have different uses depending on the SQL statement.

The following table describes the contents of the fields of a base SQLIMSVAR.

Table 171. Fields in an occurrence of a base SQLIMSVAR

COBOL name	Data type	Usage in DESCRIBE	Usage in FETCH
sqlimstype SQLIMSTYPE	SMALLINT	Indicates the data type of the column and whether it can contain null values. For a description of the type codes, see Table 172 on page 777 .	Indicates the data type of the host variable and whether an indicator variable is provided. For a description of the type codes, see “SQLIMSTYPE and SQLIMSLEN” on page 777 .
sqlimslen SQLIMSLEN	SMALLINT	The length attribute of the column. See “SQLIMSTYPE and SQLIMSLEN” on page 777 for a description of allowable values.	The length attribute of the host variable. See “SQLIMSTYPE and SQLIMSLEN” on page 777 for a description of allowable values.
sqlimsdata SQLIMSDATA	pointer	Reserved.	Contains the address of the host variable.
sqlimsind SQLIMSIND	pointer	Reserved	Contains the address of an associated indicator variable, if SQLIMSTYPE is odd. Otherwise, the field is not used.
sqlimsname SQLIMSNAME	VARCHAR(30)	Contains the unqualified name or label of the column, or a string of length zero if the name or label does not exist. If the name is longer than 30 bytes, it is truncated at a byte boundary.	Contains the unqualified name or label of the column, or a string of length zero if the name or label does not exist. If the name is longer than 30 bytes, it is truncated at a byte boundary.

SQLIMSTYPE and SQLIMSLEN

The contents of the SQLIMSTYPE and SQLIMSLEN fields of the SQLIMSDA depends on the SQL statement that is returning the value.

The following table shows the values that can appear in the SQLIMSTYPE and SQLIMSLEN fields of the SQLIMSDA. In DESCRIBE, an even value of SQLIMSTYPE means the column does not allow nulls, and an odd value means the column does allow nulls. In FETCH, an even value of SQLIMSTYPE means no indicator variable is provided, and an odd value means that SQLIMSIND contains the address of an indicator variable.

Table 172. SQLIMSTYPE and SQLIMSLEN values for DESCRIBE, FETCH, OPEN, and EXECUTE

SQLIMSTYPE	For DESCRIBE		For FETCH	
	Column or parameter data type	SQLIMSLEN	Host variable data type	SQLIMSLEN
384/385	date	10 ¹	fixed-length character string representation of a date	length attribute of the host variable
388/389	time	8 ²	fixed-length character string representation of a time	length attribute of the host variable
392/393	timestamp	26	fixed-length character string representation of a timestamp	length attribute of the host variable

Table 172. SQLIMSTYPE and SQLIMSLEN values for DESCRIBE, FETCH, OPEN, and EXECUTE (continued)

SQLIMSTYPE	For DESCRIBE		For FETCH	
	Column or parameter data type	SQLIMSLEN	Host variable data type	SQLIMSLEN
452/453	fixed-length character string	length attribute of the column	fixed-length character string	length attribute of the host variable
480/481	floating point	4 for single precision, 8 for double precision	floating point	4 for single precision, 8 for double precision
484/485	packed decimal	precision in byte 1; scale in byte 2	packed decimal	precision in byte 1; scale in byte 2
492/493	big integer ⁴	8	big integer	8
496/497	large integer	4	large integer	4
500/501	small integer	2	small integer	2
504/505	N/A	N/A	DISPLAY SIGN LEADING SEPARATE, NATIONAL SIGN LEADING SEPARATE	precision in byte 1; scale in byte 2
912/913	fixed-length binary string	length attribute of the column	fixed-length binary string	length attribute of the host variable

Note:

1. SQLIMSLEN might be different if a date installation exit is specified.
2. SQLIMSLEN might be different if a time installation exit is specified.
3. Field SQLIMSLONGLEN in the extended SQLIMSVAR contains the length attribute of the column.
4. BIGINT is supported by other IMS platforms.

The included SQLIMSDA

Only COBOL is supported for the SQLIMSDA that is given by INCLUDE SQLIMSDA.

COBOL (IBM COBOL only):

```

01 SQLIMSDA GLOBAL.
  02 SQLIMSDAID          PIC X(8).
  02 SQLIMSDABC          PIC S9(9) COMP-5.
  02 SQLIMSN             PIC S9(4) COMP-5.
  02 SQLIMSD             PIC S9(4) COMP-5.
  02 SQLIMSVAR OCCURS 0 TO 750 TIMES DEPENDING ON SQLIMSN.
    03 SQLIMSVAR1.
      04 SQLIMSTYPE      PIC S9(4) COMP-5.
      04 SQLIMSLEN       PIC S9(4) COMP-5.
      04 FILLER REDEFINES SQLIMSLEN.
        05 SQLIMSPRECISION PIC X.
        05 SQLIMSSCALE    PIC X.
      04 SQLIMSDATA      POINTER.
      04 SQLIMSIND       POINTER.
      04 SQLIMSNAME.
        49 SQLIMSNAME1   PIC S9(4) COMP-5.
        49 SQLIMSNAMEC   PIC X(30).
    03 SQLIMSVAR2 REDEFINES SQLIMSVAR1.
      04 SQLIMSVAR2-RESERVED-1
        PIC S9(9) COMP-5.
      04 SQLIMSLONGLEN REDEFINES
        SQLIMSVAR2-RESERVED-1
        PIC S9(9) COMP-5.

```

```
04 SQLIMSVAR2-RESERVED-2
    PIC S9(9) COMP-5.
04 SQLIMSDATALEN    POINTER.
04 SQLIMSDATATYPE-NAME.
    05 SQLIMSDATATYPE-NAMEL
        PIC S9(4) COMP-5.
    05 SQLIMSDATATYPE-NAMEC PIC X(30).
```


Notices

This information was developed for products and services offered in the US. This material might be available from IBM in other languages. However, you may be required to own a copy of the product or product version in that language in order to access it.

IBM may not offer the products, services, or features discussed in this document in other countries. Consult your local IBM representative for information on the products and services currently available in your area. Any reference to an IBM product, program, or service is not intended to state or imply that only that IBM product, program, or service may be used. Any functionally equivalent product, program, or service that does not infringe any IBM intellectual property right may be used instead. However, it is the user's responsibility to evaluate and verify the operation of any non-IBM product, program, or service.

IBM may have patents or pending patent applications covering subject matter described in this document. The furnishing of this document does not grant you any license to these patents. You can send license inquiries, in writing, to:

IBM Director of Licensing IBM Corporation North Castle Drive, MD-NC119 Armonk, NY 10504-1785 US

For license inquiries regarding double-byte character set (DBCS) information, contact the IBM Intellectual Property Department in your country or send inquiries, in writing, to:

Intellectual Property Licensing Legal and Intellectual Property Law IBM Japan, Ltd. 19-21, Nihonbashi-Hakozakicho, Chuo-ku Tokyo 103-8510, Japan

INTERNATIONAL BUSINESS MACHINES CORPORATION PROVIDES THIS PUBLICATION "AS IS" WITHOUT WARRANTY OF ANY KIND, EITHER EXPRESS OR IMPLIED, INCLUDING, BUT NOT LIMITED TO, THE IMPLIED WARRANTIES OF NON-INFRINGEMENT, MERCHANTABILITY OR FITNESS FOR A PARTICULAR PURPOSE. Some jurisdictions do not allow disclaimer of express or implied warranties in certain transactions, therefore, this statement may not apply to you.

This information could include technical inaccuracies or typographical errors. Changes are periodically made to the information herein; these changes will be incorporated in new editions of the publication. IBM may make improvements and/or changes in the product(s) and/or the program(s) described in this publication at any time without notice.

Any references in this information to non-IBM websites are provided for convenience only and do not in any manner serve as an endorsement of those websites. The materials at those websites are not part of the materials for this IBM product and use of those websites is at your own risk.

IBM may use or distribute any of the information you provide in any way it believes appropriate without incurring any obligation to you.

Licensees of this program who wish to have information about it for the purpose of enabling: (i) the exchange of information between independently created programs and other programs (including this one) and (ii) the mutual use of the information which has been exchanged, should contact:

IBM Director of Licensing IBM Corporation North Castle Drive, MD-NC119 Armonk, NY 10504-1785 US

Such information may be available, subject to appropriate terms and conditions, including in some cases, payment of a fee.

The licensed program described in this document and all licensed material available for it are provided by IBM under terms of the IBM Customer Agreement, IBM International Program License Agreement or any equivalent agreement between us.

The performance data and client examples cited are presented for illustrative purposes only. Actual performance results may vary depending on specific configurations and operating conditions.

Information concerning non-IBM products was obtained from the suppliers of those products, their published announcements or other publicly available sources. IBM has not tested those products and

cannot confirm the accuracy of performance, compatibility or any other claims related to non-IBM products. Questions on the capabilities of non-IBM products should be addressed to the suppliers of those products.

Statements regarding IBM's future direction or intent are subject to change or withdrawal without notice, and represent goals and objectives only.

This information contains examples of data and reports used in daily business operations. To illustrate them as completely as possible, the examples include the names of individuals, companies, brands, and products. All of these names are fictitious and any similarity to actual people or business enterprises is entirely coincidental.

COPYRIGHT LICENSE:

This information contains sample application programs in source language, which illustrate programming techniques on various operating platforms. You may copy, modify, and distribute these sample programs in any form without payment to IBM, for the purposes of developing, using, marketing or distributing application programs conforming to the application programming interface for the operating platform for which the sample programs are written. These examples have not been thoroughly tested under all conditions. IBM, therefore, cannot guarantee or imply reliability, serviceability, or function of these programs. The sample programs are provided "AS IS", without warranty of any kind. IBM shall not be liable for any damages arising out of your use of the sample programs.

Each copy or any portion of these sample programs or any derivative work must include a copyright notice as follows: © (your company name) (year). Portions of this code are derived from IBM Corp. Sample Programs. © Copyright IBM Corp. _enter the year or years_.

Programming interface information

This information documents Product-sensitive Programming Interface and Associated Guidance Information provided by IMS.

Product-sensitive Programming Interfaces allow the customer installation to perform tasks such as diagnosing, modifying, monitoring, repairing, tailoring, or tuning of this software product. Use of such interfaces creates dependencies on the detailed design or implementation of the IBM software product. Product-sensitive Programming Interfaces should be used only for these specialized purposes. Because of their dependencies on detailed design and implementation, it is to be expected that programs written to such interfaces may need to be changed in order to run with new product releases or versions, or as a result of service. Product-sensitive Programming Interface and Associated Guidance Information is identified where it occurs, either by an introductory statement to a section or topic, or by a Product-sensitive programming interface label. IBM requires that the preceding statement, and any statement in this information that refers to the preceding statement, be included in any whole or partial copy made of the information described by such a statement.

Trademarks

IBM, the IBM logo, and [ibm.com](http://www.ibm.com)® are trademarks or registered trademarks of International Business Machines Corp., registered in many jurisdictions worldwide. Other product and service names might be trademarks of IBM or other companies. A current list of IBM trademarks is available on the web at "Copyright and trademark information" at <http://www.ibm.com/legal/copytrade.shtml>.

Adobe, the Adobe logo, and the PostScript logo are either registered trademarks or trademarks of Adobe Systems Incorporated in the United States, and/or other countries.

Linux® is a registered trademark of Linus Torvalds in the United States, other countries, or both.

Microsoft, Windows, Windows NT, and the Windows logo are trademarks of Microsoft Corporation in the United States, other countries, or both.

Java and all Java-based trademarks and logos are trademarks or registered trademarks of Oracle and/or its affiliates.

UNIX is a registered trademark of The Open Group in the United States and other countries.

Terms and conditions for product documentation

Permissions for the use of these publications are granted subject to the following terms and conditions.

Applicability

These terms and conditions are in addition to any terms of use for the IBM website.

Personal use

You may reproduce these publications for your personal, noncommercial use provided that all proprietary notices are preserved. You may not distribute, display or make derivative work of these publications, or any portion thereof, without the express consent of IBM.

Commercial use

You may reproduce, distribute and display these publications solely within your enterprise provided that all proprietary notices are preserved. You may not make derivative works of these publications, or reproduce, distribute or display these publications or any portion thereof outside your enterprise, without the express consent of IBM.

Rights

Except as expressly granted in this permission, no other permissions, licenses or rights are granted, either express or implied, to the publications or any information, data, software or other intellectual property contained therein.

IBM reserves the right to withdraw the permissions granted herein whenever, in its discretion, the use of the publications is detrimental to its interest or, as determined by IBM, the above instructions are not being properly followed.

You may not download, export or re-export this information except in full compliance with all applicable laws and regulations, including all United States export laws and regulations.

IBM MAKES NO GUARANTEE ABOUT THE CONTENT OF THESE PUBLICATIONS. THE PUBLICATIONS ARE PROVIDED "AS-IS" AND WITHOUT WARRANTY OF ANY KIND, EITHER EXPRESSED OR IMPLIED, INCLUDING BUT NOT LIMITED TO IMPLIED WARRANTIES OF MERCHANTABILITY, NON-INFRINGEMENT, AND FITNESS FOR A PARTICULAR PURPOSE.

IBM Online Privacy Statement

IBM Software products, including software as a service solutions, (“Software Offerings”) may use cookies or other technologies to collect product usage information, to help improve the end user experience, to tailor interactions with the end user or for other purposes. In many cases no personally identifiable information is collected by the Software Offerings. Some of our Software Offerings can help enable you to collect personally identifiable information. If this Software Offering uses cookies to collect personally identifiable information, specific information about this offering’s use of cookies is set forth below.

This Software Offering does not use cookies or other technologies to collect personally identifiable information.

If the configurations deployed for this Software Offering provide you as customer the ability to collect personally identifiable information from end users via cookies and other technologies, you should seek your own legal advice about any laws applicable to such data collection, including any requirements for notice and consent.

To learn more, see [IBM Privacy Statement](#).

Bibliography

This bibliography lists all of the publications in the IMS 15.5 library.

Title	Acronym
<i>IMS Version 15.5 Application Programming</i>	APG
<i>IMS Version 15.5 Application Programming APIs</i>	APR
<i>IMS Version 15.5 Commands, Volume 1: IMS Commands A-M</i>	CR1
<i>IMS Version 15.5 Commands, Volume 2: IMS Commands N-V</i>	CR2
<i>IMS Version 15.5 Commands, Volume 3: IMS Component and z/OS Commands</i>	CR3
<i>IMS Version 15.5 Communications and Connections</i>	CCG
<i>IMS Version 15.5 Database Administration</i>	DAG
<i>IMS Version 15.5 Database Utilities</i>	DUR
<i>IMS Version 15.5 Diagnosis</i>	DGR
<i>IMS Version 15.5 Exit Routines</i>	ERR
<i>IMS Version 15.5 Installation</i>	INS
<i>IMS Version 15.5 Licensed Program Specifications</i>	LPS
<i>IMS Version 15.5 Messages and Codes, Volume 1: DFSMessages</i>	MC1
<i>IMS Version 15.5 Messages and Codes, Volume 2: Non-DFS Messages</i>	MC2
<i>IMS Version 15.5 Messages and Codes, Volume 3: IMSAbend Codes</i>	MC3
<i>IMS Version 15.5 Messages and Codes, Volume 4: IMSComponent Codes</i>	MC4
<i>IMS Version 15.5 Operations and Automation</i>	OAG
<i>IMS Version 15.5 Release Planning</i>	RPG
<i>IMS Version 15.5 System Administration</i>	SAG
<i>IMS Version 15.5 System Definition</i>	SDG
<i>IMS Version 15.5 System Programming APIs</i>	SPR
<i>IMS Version 15.5 System Utilities</i>	SUR

Index

Special Characters

- : (colon)
 - preceding a host variable [595](#)
- ! (exclamation mark) as not sign [597](#)
- !token
 - IMSQUERY function [366](#)
 - STORAGE command [364](#)
- ? (question mark) [749](#)
- . (period) usage
 - null or void placeholder [356](#)
 - parsing, transparent additions [357](#)
 - REXX [354](#)
- *mapname [361](#), [362](#)
- /DISPLAY command [518](#)
- /DISPLAY POOL command [419](#)
- /FORMAT command [482](#), [518](#)
- /MODIFY COMMIT command [482](#)
- /MODIFY PREPARE command [482](#)
- /RDISPLAY command [520](#)
- /RESET command [444](#)
- /SET command [461](#)
- &DPN= operand (DIV statement), specifying [446](#)
- \$\$IMSDIR
 - effect on performance [419](#)

Numerics

- 3180
 - in partitioned format mode
 - clearing the display [518](#)
 - paging [518](#)
 - restrictions [518](#)
 - scrolling [518](#)
 - screen formatting [414](#)
- 3270 Information Display System
 - compatibility with 5550 [414](#)
 - copy function
 - bit 4 of SCA, byte 1 [431](#)
 - description [510](#)
 - default literal input message fields [472](#)
 - defining IMS TM password [473](#)
 - defining system message field [496](#)
 - entering and exiting formatted mode [461](#)
 - increasing performance [419](#)
 - master terminal format
 - display area [520](#)
 - literals defined for PF keys [520](#)
 - multiple physical page input [479](#)
 - PA (program access) key, control functions [510](#)
 - printed page format control [496](#)
 - screen formatting [411](#)
 - selector pen
 - for control functions [510](#)
- 3270 operator identification card reader
 - application program device-dependent information [426](#)
 - defining IMS TM password [473](#)

- 3270 operator identification card reader (*continued*)
 - effect on input fields [426](#)
 - system message field [496](#)
- 3270P Printer
 - printed page format control [497](#)
- 3270P Printers
 - MFS controlling format [499](#)
- 3275/3277 Display Station
 - physical paging [484](#)
 - using default formats with [408](#)
- 3276 Control Unit/Display Station
 - physical paging [484](#)
 - using default formats with [408](#)
- 3278 Display Station
 - compatibility with 5550 [414](#)
 - physical paging [484](#)
 - using default formats with [408](#)
- 3279 Display Station, default formats [408](#)
- 3290 Display Panel
 - in partitioned format mode [495](#)
 - in standard format mode [412](#)
 - screen formatting [412](#)
- 3770 Data Communication System
 - entering and exiting formatted mode [461](#)
 - printed page format control [496](#)
- 3790 Communication System
 - operating with MFS
 - FTABs [474](#)
 - input modes [473](#)
- 5550 Family (as 3270)
 - compatibility with other devices [414](#)
 - using DBCS fields [490](#)
 - using DBCS/EBCDIC fields [490](#)
- 8-blanks (null) [37](#)

A

- abend statement [218](#)
- abend, avoiding an [155](#)
- ABNUOWRM reply message
 - format [308](#)
- ACCEPT command
 - ACCEPT command
 - description [155](#)
 - example [155](#)
 - format [155](#)
 - options [155](#)
 - system service command [153](#)
 - usage [155](#)
- ACCESS parameter
 - CREATE DATABASE statement [662](#)
- accessibility
 - features [xi](#)
 - keyboard shortcuts [xi](#)
- ACCRDB command
 - format [265](#)
- ACCRDBRM reply message

ACCRDBRM reply message (*continued*)
 format [309](#)

ACCSEC command
 format [267](#)

ACCSECRD reply object [311](#)

ACTVPID= operand (DPAGE statement)
 cursor positioning (3290 only) [495](#)
 specifying [454](#)
 use [516](#)

adding
 a segment sequentially [179](#)
 segments to a database [174](#)

addressing environments [349](#), [350](#)

AGNPRMRM reply message
 format [312](#)

AIB (application interface block)
 AIB identifier
 in RCMD call [60](#)

AIB identifier (AIBID) in GSCD call [39](#)

AIB identifier (AIBID)
 in APSB call [33](#)
 in CHKP (basic) call [34](#)
 in CHKP (symbolic) call [35](#)
 in DPSB call [36](#)
 in GMSG call [37](#)
 in ICMD call [40](#)
 in INIT call [41](#)
 in INQY call [47](#)
 in LOG call [58](#)
 in ROLB call [61](#)
 in ROLS call [62](#)
 in SETS/SETU call [64](#)
 in SNAP call [65](#)
 in STAT call [68](#)
 in SYNC call [69](#)

AIB identifier (AIBID) in XRST call [71](#)

AIBLEN (DFSAIB allocated length) in GSCD call [39](#)

AIBLEN (DFSAIB allocated length)
 in APSB call [33](#)
 in CHKP (basic) call [34](#)
 in CHKP (symbolic) call [35](#)
 in DPSB call [36](#)
 in GMSG call [37](#)
 in ICMD call [40](#)
 in INIT call [41](#)
 in INQY [47](#)
 in LOG call [58](#)
 in RCMD call [60](#)
 in ROLB call [61](#)
 in ROLS call [62](#)
 in SETS/SETU call [64](#)
 in SNAP call [65](#)
 in STAT call [68](#)
 in SYNC call [69](#)

AIBLEN (DFSAIB allocated length) in XRST call [71](#)

AIBOALEN ((maximum output area length) in ROLS call [62](#)

AIBOALEN (maximum output area length)
 in LOG call [58](#)

AIBOALEN (maximum output area length) in GSCD call [39](#)

AIBOALEN (maximum output area length)
 in CHKP (symbolic) call [35](#)
 in GMSG call [37](#)

AIB (application interface block) (*continued*)
 AIBOALEN (maximum output area length) (*continued*)
 in ICMD call [40](#)
 in INIT call [41](#)
 in INQY call [47](#)
 in RCMD call [60](#)
 in SETS/SETU call [64](#)
 in SNAP call [65](#)
 in STAT call [68](#)

AIBOALEN (maximum output area length) in ROLB call [61](#)

AIBOALEN (maximum output area length) in XRST call [71](#)

AIBOAUSE (used output area length)
 in GMSG call [37](#)
 in ICMD call [40](#)
 in RCMD call [60](#)

AIBRSNM1 (resource name)
 in APSB call [33](#)
 in CHKP (symbolic) call [35](#)
 in DPSB call [36](#)
 in GMSG call [37](#)
 in INIT call [41](#)
 in INQY call [47](#)
 in LOG call [58](#)
 in ROLB call [61](#)
 in ROLS call [62](#)
 in SETS/SETU call [64](#)
 in SNAP call [65](#)
 in STAT call [68](#)
 in SYNC call [69](#)

AIBRSNM1 (resource name) in CHKP (basic) call [34](#)

AIBRSNM1 (resource name) in XRST call [71](#)

AIBRSNM2
 in APSB call [33](#)
 in CHKP (basic) call [34](#)

AIBSFUNC (subfunction code)
 in DPSB call [36](#)
 in GMSG call [37](#)
 in INQY call [47](#)

DL/I calls, system service
 ROLB [61](#)
 interface, REXX [351](#)
 ROLB (Roll Back) call
 format [61](#)
 parameters [61](#)
 subfunction, setting [363](#)

AIBOALEN parameter [336](#)

AIBRSNM1 (resource name)
 in GSCD call [39](#)

AIBRSNM1 parameter [337](#)

AIBRSNM2 parameter [337](#)

AIBSFUNC parameter [338](#)

aibStream data structure
 format [338](#)
 overview [338](#)

Allocate PSB (APSB) call
 format [33](#)
 parameters [33](#)
 usage [33](#)

allocate PSB call [116](#)

allowed commands, EXEC DLI [153](#)

ALTER DATABASE
 statement

ALTER DATABASE (*continued*)
 statement (*continued*)
 description [605](#)

ALTER TABLE
 statement
 description [619](#)

ALTER TABLESPACE
 statement
 description [647](#)

AND
 truth table [600](#)

AO (automated operator) application
 after status codes
 GCMD call [88](#)
 GCMD call
 status codes [88](#)
 GMSG call [37](#), [120](#)
 ICMD call [40](#), [123](#)
 RCMD call [60](#), [143](#)

AOI (Automated Operator Interface)
 IOASIZE requirement [674](#)

AOI token, usage [37](#)

API
 otma_alloc [531](#)
 otma_close [542](#)
 otma_create [526](#)
 otma_free [541](#)
 otma_open [528](#)
 otma_openx [529](#)
 otma_receive_async [540](#)
 otma_send_async [536](#)
 otma_send_asyncx [539](#)
 otma_send_receive [532](#)
 otma_send_receivex [534](#)
 otma_send_receivey [535](#)

APPC environment [349](#)

application program
 deadlock occurrence, in [41](#)
 SQLIMSCA [773](#)
 SQLIMSDA [775](#)

APSB (Allocate PSB) call
 format [33](#)
 parameters [33](#)
 usage [33](#)

APSB call
 description [116](#)
 format [116](#)
 parameters [116](#)
 restrictions [116](#)
 summary [74](#)
 usage [116](#)

area
 in CHKP (symbolic) call [35](#)

area length
 in CHKP (symbolic) call [35](#)
 in XRST call [71](#)

assignment
 compatibility rules [592](#)
 retrieval rules [593](#)
 storage rules [593](#)
 strings, basic rules for [592](#)

ATTACH FM header [446](#), [503](#)

ATTACH manager
 blocking algorithms [503](#)

ATTACH manager (*continued*)
 deblocking algorithms [480](#)

ATTR= operand (MFLD statement)
 example [435](#)
 use [487](#)

attribute data
 input message fields
 description [473](#)
 output device fields
 description [487](#)
 for cursor positioning [495](#)

attribute simulation
 description [487](#)
 restrictions [433](#)

AUTH call
 description [76](#)
 format [76](#)
 I/O area format
 76
 parameters [76](#)
 restrictions [76](#)
 summary [74](#)
 usage [76](#)

authorization call [76](#)

Automated Operator Interface (AOI) [674](#)

avoiding an abend [155](#)

B

backing out
 changes dynamically [188](#)

backout point
 setting [192](#)
 unconditionally setting [193](#)

basic checkpoint
 description [156](#)

Basic Checkpoint (CHKP Basic)
 description [34](#)
 format [34](#)
 parameters [34](#)
 usage [34](#)

basic checkpoint call [117](#)

Basic CHKP call
 description [117](#)
 format [117](#)
 parameters [117](#)
 restrictions [117](#)
 summary [74](#)
 usage [117](#)

Basic edit
 IMS TM [482](#)

basic operations in SQL [592](#)

basic predicate [597](#)

batch programs
 deadlock occurrence, in [41](#)

BETWEEN predicate [599](#)

BIGINT
 data type [590](#)

binding
 SQL statements [585](#)

BKO execution parameter [188](#)

block error message format [518](#)

BLOCK= parameter
 DATASET statement [649](#), [732](#)

BSAM (basic sequential access method)
using with Spool API [104](#)
built-in data type [588](#)

C

call functions, DL/I [232](#)

CALL statement

CALL DATA [225](#)

CALL DATA statement internal field [225](#)

CALL FUNCTION [220](#)

SETO, DFSDDLTO

description [220](#)

CALL statements

CALL FUNCTION statement [224](#)

FEEDBACK DATA statement [227](#)

OPTION DATA statement [228](#)

call summary, transaction management [74](#)

Callable Interface (C/I)

otma_alloc API [531](#)

otma_close API [542](#)

otma_create API [526](#)

otma_free API [541](#)

otma_open API [528](#)

otma_openx API [529](#)

otma_receive_async API [540](#)

otma_send_async API [536](#)

otma_send_asyncx API [539](#)

otma_send_receive API [532](#)

otma_send_receivex API [534](#)

otma_send_receivey API [535](#)

sample programs [543](#)

calls, DB

CIMS [3](#)

CLSE [5](#)

DEQ [6](#)

DLET [7](#)

FLD [8](#)

GHNP [14](#)

GHU [16](#)

GN [11](#)

GNP [14](#)

GU [16](#)

GUR [19](#)

ISRT [22](#)

OPEN [25](#)

POS [26](#)

REPL [28](#)

RLSE [30](#)

calls, system service

APSB (allocate PSB) [33](#)

CHKP (basic) [34](#)

CHKP (symbolic) [35](#)

GMSG (get message) [37](#)

ICMD (issue command) [40](#)

INIT (initialize) [41](#)

INQY (inquiry) [47](#)

LOG (log) [58](#)

PCB (schedule a PSB) [59](#)

RCMD (retrieve command) [60](#)

ROLB (roll back) [61](#)

SETS/SETU (set a backout point)

[64](#)

SNAP [65](#)

calls, system service (*continued*)

STAT (statistics) [68](#)

SYNC (synchronization point) [69](#)

TERM (terminate) [70](#)

XRST (extended restart) [71](#)

change call [80](#)

changing the values of a segment's fields [183](#)

CHAR

data type [591](#)

character [587](#)

CHARACTER data type

description [591](#)

character string

assignment [593](#)

comparison [593](#)

constants [594](#)

description [591](#)

empty [591](#)

checkpoint (CHKP)

command

description [156](#)

example [156](#)

format [156](#)

issuing [156](#)

options [156](#)

restrictions [156](#)

usage [156](#)

checkpoint call, basic [117](#)

checkpoint call, symbolic [118](#)

CHKP (basic checkpoint) call

CHKP (basic checkpoint) call

description [34](#)

format [34](#)

parameters [34](#)

usage [34](#)

CHKP (Checkpoint)

command

description [156](#)

example [156](#)

format [156](#)

issuing [156](#)

options [156](#)

restrictions [156](#)

usage [156](#)

CHKP (symbolic checkpoint) call

CHKP (symbolic checkpoint) call

description [35](#)

format [35](#)

parameters [35](#)

usage [35](#)

CHKP call function [228](#)

CHKPT=EOV parameter [156](#)

CHNG call

and OTMA environment [80](#)

description [80](#)

format [80](#)

parameters [80](#)

restrictions [80](#)

summary [75](#)

usage [80](#)

CHNG call function [228](#)

CICS online programs

PCB call [59](#)

TERM call [70](#)

- CIMS call
 - description [3](#)
 - format [3](#)
 - parameters [3](#)
 - usage [3](#)
- class, record segment [206](#)
- CLEAR key [411](#)
- CLEAR PARTITION key [411](#)
- CLOSE
 - statement
 - description [653](#)
 - example [653](#)
- closing a GSAM database explicitly [5](#)
- CLSE (Close) call
 - CLSE (Close) call
 - description [5](#)
 - format [5](#)
 - parameters [5](#)
 - usage [5](#)
- CLSQR command
 - format [268](#)
- CMD call
 - description [87](#)
 - examples [87](#)
 - format [87](#)
 - parameters [87](#)
 - restrictions [87](#)
 - summary [74](#)
 - usage [87](#)
- CMD call function [228](#)
- CMDVLRM reply message
 - format [313](#)
- CNTQRY command
 - format [269](#)
- COBOL application program
 - host structure [596](#)
 - host variable
 - description [595](#)
 - INCLUDE SQLIMSCA [775](#)
- colon
 - host variable in SQL [595](#)
- column
 - derived
 - INSERT statement [754](#)
 - UPDATE statement [770](#)
 - naming convention [588](#)
- Command (CMD) call
 - See CMD call [87](#)
- Command (ICAL) call
 - See ICAL call [92](#)
- command codes
 - A
 - description [200](#)
 - C
 - description [200](#)
 - D
 - examples [200](#)
 - Get calls [201](#)
 - ISRT call [201](#)
 - P processing option [201](#)
 - DL/I calls [198](#)
 - F
 - Get calls [203](#)
 - HERE insert rule [22](#)
- command codes (*continued*)
 - F (*continued*)
 - ISRT call [203](#)
 - G
 - description [204](#)
 - L
 - FIRST insert rule [22](#), [204](#)
 - Get calls [204](#)
 - M [212](#)
 - N [205](#)
 - Null [210](#)
 - O
 - description [205](#)
 - P [206](#)
 - Q [206](#)
 - R [212](#)
 - reference [198](#)
 - S [213](#)
 - U [208](#)
 - V [210](#)
 - Z [215](#)
- command-level programs
 - command-level programs
 - syntax of EXEC DLI commands [153](#)
- command, path [183](#)
- commands
 - EXEC DLI
 - ACCEPT [155](#)
 - CHKP (Checkpoint) [156](#)
 - DEQ (Dequeue) [157](#)
 - DLET (Delete) [158](#)
 - GN (Get Next) [159](#)
 - GNP (Get Next in Parent) [164](#)
 - GU (Get Unique) [169](#)
 - ISRT (Insert) [174](#)
 - LOAD [179](#)
 - LOG [180](#)
 - POS (Position) [181](#)
 - QUERY [182](#)
 - REFRESH [182](#)
 - REPL (Replace) [183](#)
 - RETRIEVE [187](#)
 - ROLB (Rollback) [188](#)
 - ROLL [189](#)
 - ROLS (Rollback to SETS or SETU) [190](#)
 - SCHD (Schedule) [191](#)
 - SETS (Set a Backout Point) [192](#)
 - SETU (Set a Backout Point Unconditionally) [193](#)
 - STAT (Statistics) [194](#)
 - summary [154](#)
 - SYMCHKP (Symbolic Checkpoint) [195](#)
 - TERM (Terminate) [196](#)
 - XRST (Extended Restart) [197](#)
 - symbolic checkpoint [195](#)
 - system service [153](#)
- commands allowed, EXEC DLI [153](#)
- comment
 - SQL [587](#)
- COMMENT ON
 - statement
 - description [654](#)
- COMMENT statement
 - conditional (T) [241](#)
 - unconditional (U) [241](#)

- COMPARE statement
 - COMPARE AIB [243](#)
 - COMPARE DATA [243](#)
 - COMPARE PCB [245](#)
 - introduction [242](#)
- comparison
 - compatibility rules [592](#)
 - strings [593](#)
- compatibility
 - 3270 printer and SLU 1 [418](#)
 - converting device definitions to SLU P [419](#)
 - data types [592](#)
 - rules [592](#)
 - SLU P [419](#)
- COMPR= operand (DIV statement), specifying [446](#)
- COND= operand (DPAGE statement), specifying [454](#)
- connector, field search argument (FSA) [8](#)
- constant
 - character string [594](#)
 - decimal [594](#)
 - floating-point [594](#)
 - hexadecimal [594](#)
 - integer [593](#)
- CONTINUE
 - clause of WHENEVER statement [772](#)
- control blocks, MFS
 - chained control blocks [401](#)
- control character [587](#)
- conversion
 - 3270 device format, example [417](#)
 - device formats [416](#)
- copy function
 - bit 4 of SCA, byte 1 [431](#)
 - cursor positioning
 - for output messages [431](#)
 - description [510](#)
 - dynamic attribute modification, output message
 - formats
 - specifying attributes [431](#)
- CREATE DATABASE
 - statement
 - description [656](#)
- CREATE PROGRAMVIEW
 - statement
 - description [669](#)
- CREATE TABLE
 - statement
 - description [686](#)
- CREATE TABLESPACE
 - statement
 - description [729](#)
- CTL (PUNCH) statement [250](#)
- current position
 - qualification [208](#)
- current position in the database, determining the [187](#)
- cursor
 - closing
 - CLOSE statement [653](#)
 - error in UPDATE [771](#)
 - naming convention [588](#)
 - opening
 - errors [756](#)
 - OPEN statement [755](#)
 - using

- cursor (*continued*)
 - using (*continued*)
 - DECLARE CURSOR statement [743](#)
 - FETCH statement [750](#)
 - cursor position input [471](#)
 - cursor positioning
 - 3270 Information Display System
 - selector pen [426](#)
 - for input messages [426](#), [495](#)
 - for output messages
 - CURSOR operand [454](#)
 - dynamic [495](#)
 - selector pen, 3270
 - application program device-dependent information [426](#)
 - effect on input fields [426](#)
 - cursor-name clause
 - DECLARE CURSOR statement [743](#)
 - FETCH statement [751](#)
 - CURSOR= operand (DPAGE statement), specifying [454](#)

D

- data mapping, define with MAXDEF command [359](#)
- data structures
 - hierarchy [586](#)
 - types [586](#)
- data type
 - built-in [588](#)
 - character string [591](#)
 - compatibility matrix [592](#)
 - datetime [591](#)
 - list of built-in types [588](#)
 - numeric [590](#)
- database
 - calls
 - summary [1](#)
 - deallocating resources [36](#)
 - determining the current position in the [187](#)
 - establishing a starting position in a [169](#)
 - position
 - establishing using GU [16](#)
- database versioning INIT VERSION call [41](#)
- databases
 - hierarchical
 - comparison to relational [586](#)
 - relational
 - comparison to hierarchical [586](#)
- date
 - data type [591](#)
- DATE
 - data type
 - description [591](#)
- datetime
 - data types
 - description [591](#)
- datetime host variables
 - data type
 - description [592](#)
- DB PCB
 - status codes
 - NU [41](#)
- DB PCB (database program communication block)

DB PCB (database program communication block) (*continued*)

- AIB (application interface block)I/O
 - area
 - in GSCD call [39](#)
 - I/O PCB
 - in GSCD [39](#)
 - in GSCD [39](#)
 - status codes
 - NA [41](#)
- DBCS (double byte character set)
 - definition [490](#)
 - types of fields [490](#)
- DBCS/EBCDIC mixed fields
 - description [490](#)
 - horizontal tab (SCS1 device) [490](#)
 - input control [490](#)
 - SO/SI control characters in [490](#)
- DBCS/EBCDIC mixed literals
 - continuation rules for [490](#)
 - description [490](#)
 - specifying as DFLD/MFLD literals [490](#)
- DBD (Database Description) generation
 - block size, specifying minimum for databases [649](#), [732](#)
 - control interval size, specifying minimum for databases [649](#), [732](#)
- dbpcbStream data structure
 - format [339](#)
- DBQUERY
 - using with INIT call [41](#)
- DDL SQL [585](#)
- DDL statements
 - ALTER DATABASE
 - description [605](#)
 - ALTER TABLE
 - description [619](#)
 - ALTER TABLESPACE
 - description [647](#)
 - COMMENT ON
 - description [654](#)
 - CREATE DATABASE
 - description [656](#)
 - CREATE PROGRAMVIEW
 - description [669](#)
 - CREATE TABLE
 - description [686](#)
 - CREATE TABLESPACE
 - description [729](#)
 - DROP DATABASE
 - description [746](#)
 - DROP PROGRAMVIEW
 - description [747](#)
 - DROP TABLE
 - description [747](#)
 - DROP TABLESPACE
 - description [748](#)
- DDM (distributed data management architecture)
 - command objects [265](#)
 - commands [263](#), [265](#)
 - commit processing [264](#)
 - data structures, product-unique [336](#)
 - DSSHDR syntax [264](#)
 - global transaction processing [264](#)
 - local transaction processing [264](#)
 - parameters, product-unique [336](#)
- DDM (distributed data management architecture) (*continued*)
 - replies [263](#)
 - syntax [263](#)
 - terms [263](#)
- DDM (distributed data management)
 - abnormal ending of unit of work [308](#)
 - ABNUOWRM reply message [308](#)
 - access security reply object [311](#)
 - access to database completed reply message [309](#)
 - accessing database [265](#)
 - ACCRDB command [265](#)
 - ACCRDBRM reply message [309](#)
 - ACCSEC command [267](#)
 - ACCSECRD reply object [311](#)
 - AGNPRMRM reply message [312](#)
 - aibStream data structure [338](#)
 - closing a query [268](#)
 - CLSQRY command [268](#)
 - CMDVLTRM reply message [313](#)
 - CNTQRY command [269](#)
 - command violation reply message [313](#)
 - continuing a query [269](#)
 - data field [294](#)
 - database access failed reply message [326](#)
 - database deallocation completed reply message [314](#)
 - database not accessed reply message [328](#)
 - database not found reply message [329](#)
 - database update reply message [330](#)
 - dbpcbStream data structure [339](#)
 - deallocating database [271](#)
 - DEALLOCDB command [271](#)
 - DEALLOCDBRM reply message [314](#)
 - DL/I function [273](#)
 - DLIFUNC command object [273](#)
 - end of query reply message [315](#)
 - end unit of work reply message [316](#)
 - ENDQRYRM reply message [315](#)
 - ENDUOWRM reply message [316](#)
 - exchange server attributes [275](#), [317](#)
 - EXCSAT command [275](#)
 - EXCSATRD reply object [317](#)
 - EXCSQLIMM command [276](#)
 - executing immediate SQL [276](#)
 - field entry [282](#)
 - FLDENTRY command object [282](#)
 - IMS call reply message [318](#)
 - IMSCALL command [283](#)
 - IMSCALLRM reply message [318](#)
 - INAIB command object [284](#)
 - input AIB data [284](#)
 - iopcbStream data structure [340](#)
 - issuing an IMS call [283](#)
 - not authorized to database reply message [327](#)
 - open query failure reply message [320](#)
 - open query reply message [321](#)
 - opening a query [286](#)
 - OPNQFLRM reply message [320](#)
 - OPNQRY command [286](#)
 - OPNQRYRM reply message [321](#)
 - OUTAIBDBPCB parameter [342](#)
 - OUTAIBIOPCB parameter [343](#)
 - Output AIBDBPCB [342](#)
 - output AIBIOPCB [343](#)
 - permanent agent error reply message [312](#)

DDM (distributed data management) (*continued*)

- QRYDSC reply object [323](#)
- QRYDTA reply object [323](#)
- QRYPOPRM reply message [324](#)
- query answer set data reply object [323](#)
- query answer set description reply object [323](#)
- query previously opened reply message [324](#)
- RDBAFLRM reply message [326](#)
- RDBATHRM reply message [327](#)
- RDBNACRM reply message [328](#)
- RDBNFNRM reply message [329](#)
- RDBUPDRM reply message [330](#)
- release locks reply message [332](#)
- releasing database locks [293](#)
- reply messages [308](#)
- resource limits reached reply message [333](#)
- RLSE command [293](#)
- RLSERM reply message [332](#)
- RSCLMTRM reply message [333](#)
- RTRVFLD command object [294](#)
- SECCHK command [295](#)
- SECCHKRM reply message [334](#)
- security access [267](#)
- security check [295](#)
- security check reply message [334](#)
- SQL error condition reply message [335](#)
- SQLERRRM reply message [335](#)
- SSA object list [307](#)
- SSALIST command object [307](#)

DDM (distributed data management) architecture

- AIBRSNM1 parameter [337](#)
- AIBRSNM2 parameter [337](#)
- AIBSFUNC parameter [338](#)
- RDBNAM parameter [344](#)
- SECCHK command [295](#)
- security check [295](#)
- SSA parameter [344](#)
- SSACOUNT parameter [345](#)
- UPDCNT parameter [345](#)

DDM (distributed data management) Architecture

- AIBOALEN parameter [336](#)

DDM command objects

- DLIFUNCFLG command object (X'CC09') [274](#)
- FLDENTRYREL command object (X'CC0C') [283](#)
- RTRVFLDREL Command object (X'CC0B') [295](#)
- SEGMLIST Command object (X'CC0A') [297](#)

deadlock occurrence

- application programs [41](#)
- batch programs, in [41](#)

deallocate PSB call [119](#)

DEALLOCDB command

- format [271](#)

DEALLOCDBRM reply message

- format [314](#)

debugging, IMSRXTRC [358](#)

decimal

- constants [594](#)
- numbers [590](#)

DECIMAL

- data type [590](#)

DECLARE CURSOR statement

- description [743](#)
- example [743](#)

DECLARE STATEMENT statement

DECLARE STATEMENT statement (*continued*)

- description [744](#)
- example [744](#)

DEDB (data entry database)

- command codes [210](#)
- PCBs and DL/I calls [216](#)

default system control area [486](#)

define a data mapping with MAXDEF command [359](#)

DELETE

- statement
 - description [744](#)
 - example [745](#)

Delete (DLET) call

- description [7](#)
- format [7](#)
- parameters [5](#), [7](#), [25](#)
- SSA [7](#)
- usage [7](#)

Delete (DLET) command

- description [158](#)
- example [158](#)
- format [158](#)
- options [158](#)
- restrictions [158](#)

deleting

- rows from a table [744](#)

dependent segments

- retrieving
 - sequentially [164](#)
 - the location of a [181](#)
- sequential
 - retrieving the location of the last one inserted [181](#)

dependents of a segment, removing [158](#)

DEQ (Dequeue) call

- DEQ (Dequeue) call
 - description [6](#)
- format
 - Fast Path [6](#)
 - full function [6](#)
- function [228](#)
- parameters
 - Fast Path [6](#)
 - full function [6](#)
- Q command code [6](#), [206](#)
- restrictions [6](#)
- summary [1](#)
- usage [6](#)

DEQ (Dequeue) command

- DEQ (Dequeue) command
 - description [157](#)
- example [157](#)
- format [157](#)
- options [157](#)
- restrictions [157](#)
- usage [157](#)

Dequeue (DEQ) call

- description [6](#)
- format
 - Fast Path [6](#)
 - full function [6](#)
- function [228](#)
- parameters
 - Fast Path [6](#)
 - full function [6](#)

- Dequeue (DEQ) call *(continued)*
 - Q command code [6](#), [206](#)
 - summary [1](#)
 - usage [6](#)
- Dequeue (DEQ) command
 - description [157](#)
 - example [157](#)
 - format [157](#)
 - options [157](#)
 - restrictions [157](#)
 - usage [157](#)
- DESCRIBE OUTPUT statement [745](#)
- descriptor
 - naming convention [588](#)
- design objectives, application [401](#)
- designator character [426](#)
- determining the current position in the database [187](#)
- DEV statement
 - FEAT= operand [408](#)
 - FORS= operand [499](#)
 - FTAB= operand [474](#)
 - HTAB= operand [497](#)
 - PAGE= operand [496](#)
 - SLDx= operand [497](#)
 - SUB= operand [480](#)
 - TYPE= operand [408](#)
 - VT= operand [497](#)
 - VTAB= operand [497](#)
 - WIDTH= operand [497](#)
- device control characters [483](#)
- device feature selection [408](#)
- device format conversion [416](#)
- device formats, default [408](#)
- device input format [522](#)
- device output format [522](#)
- device page [471](#)
- DFLD/MFLD literal
 - containing DBCS/EBCDIC mixed data [490](#)
- DFS.EDT [444](#)
- DFS.EDTN [444](#)
- DFS057I block error message [518](#)
- DFS1150 [471](#)
- DFSDDLTO
 - call statements
 - CALL FUNCTION statement [224](#)
 - FEEDBACK DATA statement [227](#)
 - OPTION DATA statement [228](#)
- DFSDDLTO (DL/I Test Program) [217](#)
- DFSDF1 [518](#)
- DFSDF2 [518](#)
- DFSDF4 [518](#)
- DFS DSP01 [518](#)
- DFSIGNI [518](#)
- DFSIGNJ [518](#)
- DFSIGNN [518](#)
- DFSIGNP [518](#)
- DFSM0 [520](#)
- DFSM01 [518](#)
- DFSM02 [518](#)
- DFSM03 [518](#)
- DFSM04 [518](#)
- DFSM05 [518](#)
- DFSME000 [471](#)
- DFSMI1 [518](#)
- DFSMI2 [518](#)
- DFSMI4 [518](#)
- DFSPWSIO
 - DFSPWSH include files [565](#)
 - DFSQGETS API [572](#)
 - DFSQSETS API [575](#)
 - DFSXGETS API [577](#)
 - DFSXSETS API [579](#)
 - overview [565](#)
 - return codes [582](#)
- DFSREXXU, example user exit routine [348](#)
- DFSUDTOx (device characteristics table)
 - description [521](#)
 - MFS Device Characteristics Table utility [521](#)
- DIB (DL/I interface block)
 - information, obtaining the most recent [182](#)
- DIF (device input format)
 - definition [522](#)
 - input formatting functions [463](#)
 - language statements used to create
 - DIV [446](#)
 - DPAGE [454](#)
 - relationship to other control blocks [401](#)
 - selection [408](#)
- digit, description in IMS [587](#)
- distributed data management (DDM)
 - abnormal ending of unit of work [308](#)
 - ABNUOWRM reply message [308](#)
 - access security reply object [311](#)
 - access to database completed reply message [309](#)
 - accessing database [265](#)
 - ACCRDB command [265](#)
 - ACCRDBRM reply message [309](#)
 - ACCSEC command [267](#)
 - ACCSECRD reply object [311](#)
 - AGNPRMRM reply message [312](#)
 - aibStream data structure [338](#)
 - closing a query [268](#)
 - CLSQRV command [268](#)
 - CMDVLTRM reply message [313](#)
 - CNTQRY command [269](#)
 - command violation reply message [313](#)
 - continuing a query [269](#)
 - data field [294](#)
 - database access failed reply message [326](#)
 - database deallocation completed reply message [314](#)
 - database not accessed reply message [328](#)
 - database not found reply message [329](#)
 - database update reply message [330](#)
 - dbpcbStream data structure [339](#)
 - deallocating database [271](#)
 - DEALLOCDB command [271](#)
 - DEALLOCDBRM reply message [314](#)
 - DL/I function [273](#)
 - DLIFUNC command object [273](#)
 - end of query reply message [315](#)
 - end unit of work reply message [316](#)
 - ENDQRYRM reply message [315](#)
 - ENDUOWRM reply message [316](#)
 - exchange server attributes [275](#), [317](#)
 - EXCSAT command [275](#)
 - EXCSATRD reply object [317](#)
 - EXCSQLIMM command [276](#)
 - executing immediate SQL [276](#)

distributed data management (DDM) *(continued)*

- field entry [282](#)
- FLDENTRY command object [282](#)
- IMS call reply message [318](#)
- IMSCALL command [283](#)
- IMSCALLRM reply message [318](#)
- INAIB command object [284](#)
- input AIB data [284](#)
- iopcbStream data structure [340](#)
- issuing an IMS call [283](#)
- not authorized to database reply message [327](#)
- open query failure reply message [320](#)
- open query reply message [321](#)
- opening a query [286](#)
- OPNQFLRM reply message [320](#)
- OPNQRY command [286](#)
- OPNQRYRM reply message [321](#)
- OUTAIBDBPCB parameter [342](#)
- OUTAIBIOPCB parameter [343](#)
- Output AIBDBPCB [342](#)
- output AIBIOPCB [343](#)
- permanent agent error reply message [312](#)
- QRYDSC reply object [323](#)
- QRYDTA reply object [323](#)
- QRYPOPRM reply message [324](#)
- query answer set data reply object [323](#)
- query answer set description reply object [323](#)
- query previously opened reply message [324](#)
- RDBAFLRM reply message [326](#)
- RDBATHRM reply message [327](#)
- RDBNACRM reply message [328](#)
- RDBNFNRM reply message [329](#)
- RDBUPDRM reply message [330](#)
- release locks reply message [332](#)
- releasing database locks [293](#)
- reply messages [308](#)
- resource limits reached reply message [333](#)
- RLSE command [293](#)
- RLSERM reply message [332](#)
- RSCLMTRM reply message [333](#)
- RTRVFLD command object [294](#)
- SECCHK command [295](#)
- SECCHKRM reply message [334](#)
- security access [267](#)
- security check [295](#)
- security check reply message [334](#)
- SQL error condition reply message [335](#)
- SQLERRRM reply message [335](#)
- SSA object list [307](#)
- SSALIST command object [307](#)

distributed data management (DDM) architecture

- AIBOALEN parameter [336](#)
- AIBRSNM1 parameter [337](#)
- AIBRSNM2 parameter [337](#)
- AIBSFUNC parameter [338](#)
- RDBNAM parameter [344](#)
- SECCHK command [295](#)
- security check [295](#)
- SSA parameter [344](#)
- SSACOUNT parameter [345](#)
- UPDCNT parameter [345](#)

distributed data management architecture (DDM)

- command objects [265](#)
- commands [263, 265](#)

distributed data management architecture (DDM) *(continued)*

- commit processing [264](#)
- data structures, product-unique [336](#)
- DSSHDR syntax [264](#)
- global transaction processing [264](#)
- local transaction processing [264](#)
- parameters, product-unique [336](#)
- replies [263](#)
- syntax [263](#)
- terms [263](#)

Distributed relational database architecture (DRDA)

- DLIFUNCFLG command object (X'CC09') [274](#)
- FLDENTRYREL command object (X'CC0C') [283](#)
- RTRVFLDREL Command object (X'CC0B') [295](#)
- SEGMLIST Command object (X'CC0A') [297](#)

Distributed Relational Database Architecture (DRDA)

- abnormal ending of unit of work [308](#)
- ABNUOWRM reply message [308](#)
- access security reply object [311](#)
- access to database completed reply message [309](#)
- accessing database [265](#)
- ACCRDB command [265](#)
- ACCRDBRM reply message [309](#)
- ACCSEC command [267](#)
- ACCSECRD reply object [311](#)
- AGNPRMRM reply message [312](#)
- aibStream data structure [338](#)
- closing a query [268](#)
- CLSQRY command [268](#)
- CMDVLTRM reply message [313](#)
- CNTQRY command [269](#)
- command violation [313](#)
- continuing a query [269](#)
- data field [294](#)
- data structures
 - aibStream data structure [338](#)
 - dbpcbStream data structure [339](#)
 - iopcbStream data type [340](#)
- database access failed reply message [326](#)
- database deallocation completed [314](#)
- database not accessed reply message [328](#)
- database not found reply message [329](#)
- database update reply message [330](#)
- dbpcbStream data structure [339](#)

DDM command objects

- data field [294](#)
- DL/I function [273](#)
- DLIFUNC [273](#)
- field entry [282](#)
- FLDENTRY [282](#)
- INAIB [284](#)
- input AIB data [284](#)
- RTRVFLD [294](#)
- SSA object list [307](#)
- SSALIST [307](#)

DDM commands

- accessing database [265](#)
- ACCRDB [265](#)
- ACCSEC [267](#)
- closing a query [268](#)
- CLSQRY [268](#)
- CNTQRY [269](#)
- continuing a query [269](#)
- deallocating database [271](#)

DDM commands (continued)

DEALLOCDB [271](#)
 exchange server attributes [275](#)
 EXCSAT [275](#)
 EXCSQLIMM [276](#)
 executing immediate SQL [276](#)
 IMSCALL [283](#)
 issuing an IMS call [283](#)
 opening a query [286](#)
 OPNQRY [286](#)
 releasing database locks [293](#)
 RLSE [293](#)
 SECCHK [295](#)
 security access [267](#)
 security check [295](#)

DDM parameters

OUTAIBDBPCB [342](#)
 OUTAIBIOPCB [343](#)
 Output AIBDBPCB [342](#)
 output AIBIOPCB [343](#)

DDM reply messages

abnormal ending of unit of work [308](#)
 ABNUOWRM [308](#)
 access to database completed [309](#)
 ACCRDBRM [309](#)
 AGNPRMRM [312](#)
 CMDVLTRM [313](#)
 database access failed [326](#)
 database deallocation completed [314](#)
 database not accessed [328](#)
 database not found [329](#)
 database update [330](#)
 DEALLOCDBRM [314](#)
 end of query [315](#)
 end unit of work [316](#)
 ENDQRYRM [315](#)
 ENDUOWRM [316](#)
 IMS calls [318](#)
 IMSCALLRM [318](#)
 not authorized to database [327](#)
 open query [321](#)
 open query failure [320](#)
 OPNQFLRM [320](#)
 OPNQRYRM [321](#)
 permanent agent errors [312](#)
 QRYPOPRM [324](#)
 query previously opened [324](#)
 RDBAFLRM [326](#)
 RDBATHRM [327](#)
 RDBNACRM [328](#)
 RDBNFNRM [329](#)
 RDBUPDRM [330](#)
 release locks [332](#)
 resource limits reached [333](#)
 RLSERM [332](#)
 RSCLMTRM [333](#)
 SECCHKRM [334](#)
 security check [334](#)
 SQL error condition [335](#)
 SQLERRRM [335](#)

DDM reply objects

access security [311](#)
 ACCSECRD [311](#)

DDM reply objects (continued)

exchange server attributes [317](#)
 EXCSATRD [317](#)
 QRYDSC [323](#)
 QRYDTA [323](#)
 query answer set data [323](#)
 query answer set description reply object [323](#)
 deallocating database [271](#)
 DEALLOCDB command [271](#)
 DEALLOCDBRM reply message [314](#)
 DL/I function [273](#)
 DLIFUNC command object [273](#)
 end of query reply message [315](#)
 end unit of work reply message [316](#)
 ENDQRYRM reply message [315](#)
 ENDUOWRM reply message [316](#)
 exchange server attributes [275](#), [317](#)
 EXCSAT command [275](#)
 EXCSATRD reply object [317](#)
 EXCSQLIMM command [276](#)
 executing immediate SQL [276](#)
 field entry [282](#)
 FLDENTRY command object [282](#)
 IMS call reply message [318](#)
 IMSCALL command [283](#)
 IMSCALLRM reply message [318](#)
 INAIB command object [284](#)
 input AIB data [284](#)
 iopcbStream data structure [340](#)
 issuing an IMS call [283](#)
 not authorized to database reply message [327](#)
 open query failure reply message [320](#)
 open query reply message [321](#)
 opening a query [286](#)
 OPNQFLRM reply message [320](#)
 OPNQRY command [286](#)
 OPNQRYRM reply message [321](#)
 OUTAIBDBPCB parameter [342](#)
 OUTAIBIOPCB parameter [343](#)
 Output AIBDBPCB [342](#)
 output AIBIOPCB [343](#)
 permanent agent errors [312](#)
 QRYDSC reply object [323](#)
 QRYDTA reply object [323](#)
 QRYPOPRM reply message [324](#)
 query answer set data reply object [323](#)
 query answer set description reply object [323](#)
 query previously opened reply message [324](#)
 RDBAFLRM reply message [326](#)
 RDBATHRM reply message [327](#)
 RDBNACRM reply message [328](#)
 RDBNFNRM reply message [329](#)
 RDBUPDRM reply message [330](#)
 release locks reply message [332](#)
 releasing database locks [293](#)
 reply messages [308](#)
 resource limits reached reply message [333](#)
 RLSE command [293](#)
 RLSERM reply message [332](#)
 RSCLMTRM reply message [333](#)
 RTRVFLD command object [294](#)
 SECCHK command [295](#)
 SECCHKRM reply message [334](#)

Distributed Relational Database Architecture (DRDA) (*continued*)

- security access [267](#)
- security check [295](#)
- security check reply message [334](#)
- SQL error condition reply message [335](#)
- SQLERRRM reply message [335](#)
- SSA object list [307](#)
- SSALIST command object [307](#)

Distributed Relational Database Architecture (DRDA) Specification

- AIBOALEN parameter [336](#)
- AIBRSNM1 parameter [337](#)
- AIBRSNM2 parameter [337](#)
- AIBSFUNC parameter [338](#)
- RDBNAM parameter [344](#)
- SECCHK command [295](#)
- security check [295](#)
- SSA parameter [344](#)
- SSACOUNT parameter [345](#)
- UPDCNT parameter [345](#)

DIV statement

- &DPN= operand [446](#)
- COMPR= operand [446](#)
- HDRCTL= operand [499](#)
- NOSPAN= operand [446](#)
- NULL= operand [446](#), [476](#)
- OFTAB= operand
 - output mode [503](#)
 - specifying [446](#)
- OPTIONS= operand [446](#), [499](#)
- PRN= operand [446](#)
- RCDCTL= operand [446](#), [499](#)
- RDPN= operand [446](#)
- RPRN= operand [446](#)
- SPAN= operand [446](#)
- TYPE= operand [446](#)

DL/I

- setting a backout point [192](#)

DL/I call functions

- special DFSDDLTO
 - END [240](#)
 - SKIP [240](#)
 - STAK [240](#)
 - START [240](#)
- supported
 - CHKP [228](#)
 - CHNG [228](#)
 - CMD [228](#)
 - DEQ [228](#)
 - DLET [228](#)
 - FLD [228](#)
 - GCMD [228](#)
 - GHN [228](#)
 - GHNP [228](#)
 - GHU [228](#)
 - GMSG [228](#)
 - GN [228](#)
 - GNP [228](#)
 - ICAL [228](#)
 - ICMD [228](#)
 - INIT [228](#)
 - INQY [228](#)
 - ISRT [228](#)
 - LOG [228](#)

DL/I call functions (*continued*) supported (*continued*)

- POS [228](#)
- PURG [228](#)
- RCMD [228](#)
- REPL [228](#)
- ROLB [228](#)
- ROLL [228](#)
- ROLS [228](#)
- ROLX [228](#)
- SETO [228](#)
- SETS [228](#)
- SNAP [228](#)
- STAT [228](#)
- SYNC [228](#)
- XRST [228](#)

DL/I call functions, examples [232](#)

DL/I call functionsDL/ supported

- GU [228](#)
- GUR [228](#)

DL/I calls (general information)

- qualifying calls
 - concatenated key [200](#)
 - relationships to PCBs, FF PCBs [216](#)

DL/I calls for transaction management

- AUTH call [76](#)
- call summary [74](#)
- CHNG call [80](#)
- CMD call [87](#)
- GCMD call [88](#)
- GN call [89](#)
- GU call [90](#)
- ISRT call [104](#)
- PURG call [107](#)
- SETO call [109](#)

DL/I calls, database management

- CIMS [3](#)
- DEDB (data entry database)
 - root segments, order [11](#)
- DEQ [6](#)

DL/I calls, database management

- CLSE [5](#)
- FLD [8](#)
- GNHP call [11](#)

DLET [7](#)

FLD [8](#)

FLD (Field) call

- description [8](#)
- get hold next (GHN), usage [11](#)

Get Next (GN) call

- hold form (GHN) [11](#)
- parameters [11](#)
- SSA [11](#)
- usage [11](#)

GHN (get hold next), usage [11](#)

GHNP call [14](#)

GN [11](#)

GN (Get Next) call

- hold form (GHN) [11](#)
- parameters [11](#)
- SSA [11](#)
- usage [11](#)

GNP [14](#)

DL/I calls, database management (*continued*)

- [GU 16](#)
- [GUR 19](#)
- HDAM
 - [order of root segments 11](#)
- [ISRT 22](#)
- [OPEN 25](#)
- [PHDAM database 11](#)
- [POS 26](#)
- randomizing routine
 - [exit routine 11](#)
- [REPL 28](#)
- [RLSE 30](#)
- summary [1](#)

DL/I calls, system service

- [APSB 33](#)
- [CHKP 34, 35](#)
- [CHKP \(basic\) 34](#)
- [description 30](#)
- [DPSB 36](#)
- [GMSG 37](#)
- [GSCD 39](#)
- [INIT 41](#)
- [INQY 47](#)
- [LOG 58](#)
- [PCB 59](#)
- [ROLB 61](#)
- [ROLL 62](#)
- [ROLS 62](#)
- [SETS/SETU 64](#)
- [SNAP 65](#)
- [STAT 68, 70](#)
- summary [31](#)
- [SYNC 69](#)
- [XRST 71](#)

DL/I processing

- [batch processing options 274, 283, 295, 297](#)

DL/I return codes (REXX) [351](#)

DL/I system service calls

- [APSB call 116](#)
- [Basic CHKP call 117](#)
- [call summary 113](#)
- [DPSB call 119](#)
- [GSCD Call 122](#)
- [INIT call 125](#)
- [INQY call 128](#)
- [LOG call 142](#)
- [ROLB call 145](#)
- [ROLL Call 146](#)
- [ROLS call 147](#)
- [SETS call 148](#)
- [SETU call 148](#)
- [Symbolic CHKP call 118](#)
- [SYNC call 150](#)
- [XRST call 150](#)

DL/I test program (DFSDDLTO)

- JCL requirements
 - [PRINTDD DD statement 258](#)
 - [SYSIN DD statement 257](#)
 - [SYSIN2 DD statement 258](#)

DL/I Test Program (DFSDDLTO)

- control statements
 - [guidelines 217](#)
- [execution in IMS regions 260](#)

DL/I Test Program (DFSDDLTO) (*continued*)

- [explanation of return codes 260](#)
- [hints on usage 261](#)
- [JCL requirements 257, 259](#)
- [overview 217](#)
- [restarting input stream 259](#)

DLET (Delete) call

- DLET (Delete) call
 - [description 7](#)
 - [format 7](#)
 - [parameters 5, 7, 25](#)
 - [SSA 7](#)
 - [usage 7](#)

DLET (Delete) command

- Delete (DLET) command
 - [usage 158](#)
- DLET (Delete) command
 - [description 158](#)
 - [usage 158](#)
- [example 158](#)
- [format 158](#)
- [options 158](#)
- [restrictions 158](#)
- usage
 - [DLET \(Delete\) command 158](#)

DLET call function [228](#)

DLIFUNC command object

- [format 273](#)

DLIFUNCFLG command object (X'CC09') [274](#)

DLIINFO

- [. \(period\) usage 357](#)
- [REXX extended command 356, 357](#)

DOCMD exec [373](#)

DOF (device output format)

- [associated MFS functions 482](#)

- [definition 522](#)

- [language statements used to create](#)

- [DIV 446](#)

- [DPAGE 454](#)

- [relationship to other control blocks 401](#)

- [selection 408](#)

double byte character set [490](#)

DOUBLE data type

- [description 590](#)

DOUBLE PRECISION data type

- [description 590](#)

double precision floating-point number [590](#)

DPAGE

- [ACTVPID= operand 454, 516](#)

- [COND= operand 454](#)

- [CURSOR= operand 454](#)

- [input 471](#)

- [MULT= operand 454](#)

- [OFTAB= operand](#)

- [output mode 503](#)

- [specifying 454](#)

- [ORIGIN= operand 454](#)

- [overview 471](#)

- [PD= operand 454](#)

- [SELECT= operand 454](#)

- selection

- [using conditional data 480](#)

- [using conditional test on the data 480](#)

- [using DSN transmission chains 480](#)

DPAGE (*continued*)
 specifying conditional [480](#)
 specifying unconditional [480](#)

DPM (distributed presentation management)
 control character translation [430](#), [483](#)
 deleting nulls on input [476](#)
 GRAPHIC= operand (SEG statement)
 use [430](#)
 increasing performance [421](#)
 naming conventions [499](#)
 output message header examples [499](#)
 version identification [522](#)

DPN field
 control block linkages [408](#)
 DIV statement [446](#)
 MFS formatting [461](#)

DPSB call
 description [36](#), [119](#)
 format [36](#), [119](#)
 parameters [36](#), [119](#)
 restrictions [119](#)
 summary [74](#)
 usage [36](#), [119](#)

DRDA
 DLIFUNCFLG command object (X'CC09') [274](#)
 FLDENTRYREL command object (X'CC0C') [283](#)
 RTRVFLDREL Command object (X'CC0B') [295](#)
 SEGMLIST Command object (X'CC0A') [297](#)

DRDA (Distributed Relational Database Architecture)
 abnormal ending of unit of work [308](#)
 ABNUOWRM reply message [308](#)
 access security reply object [311](#)
 access to database completed reply message [309](#)
 accessing database [265](#)
 ACCRDB command [265](#)
 ACCRDBRM reply message [309](#)
 ACCSEC command [267](#)
 ACCSECRD reply object [311](#)
 AGNPRMRM reply message [312](#)
 aibStream data structure [338](#)
 closing a query [268](#)
 CLSQRY command [268](#)
 CMDVLTRM reply message [313](#)
 CNTQRY command [269](#)
 command violation [313](#)
 continuing a query [269](#)
 data field [294](#)
 data structures
 aibStream data structure [338](#)
 dbpcbStream data structure [339](#)
 iopcbStream data type [340](#)
 database access failed reply message [326](#)
 database deallocation completed [314](#)
 database not accessed reply message [328](#)
 database not found reply message [329](#)
 database update reply message [330](#)
 dbpcbStream data structure [339](#)
 DDM command objects
 data field [294](#)
 DL/I function [273](#)
 DLIFUNC [273](#)
 field entry [282](#)
 FLDENTRY [282](#)
 INAIB [284](#)

DRDA (Distributed Relational Database Architecture) (*continued*)
 DDM command objects (*continued*)
 input AIB data [284](#)
 RTRVFLD [294](#)
 SSA object list [307](#)
 SSALIST [307](#)

DDM commands
 accessing database [265](#)
 ACCRDB [265](#)
 ACCSEC [267](#)
 closing a query [268](#)
 CLSQRY [268](#)
 CNTQRY [269](#)
 continuing a query [269](#)
 deallocating database [271](#)
 DEALLOCDB [271](#)
 exchange server attributes [275](#)
 EXCSAT [275](#)
 EXCSQLIMM [276](#)
 executing immediate SQL [276](#)
 IMSCALL [283](#)
 issuing an IMS call [283](#)
 opening a query [286](#)
 OPNQRY [286](#)
 releasing database locks [293](#)
 RLSE [293](#)
 SECCHK [295](#)
 security access [267](#)
 security check [295](#)

DDM parameters
 OUTAIBDBPCB [342](#)
 OUTAIBIOPCB [343](#)
 Output AIBDBPCB [342](#)
 output AIBIOPCB [343](#)

DDM reply messages
 abnormal ending of unit of work [308](#)
 ABNUOWRM [308](#)
 access to database completed [309](#)
 ACCRDBRM [309](#)
 AGNPRMRM [312](#)
 CMDVLTRM [313](#)
 database access failed [326](#)
 database deallocation completed [314](#)
 database not accessed [328](#)
 database not found [329](#)
 database update [330](#)
 DEALLOCDBRM [314](#)
 end of query [315](#)
 end unit of work [316](#)
 ENDQRYRM [315](#)
 ENDUOWRM [316](#)
 IMS calls [318](#)
 IMSCALLRM [318](#)
 not authorized to database [327](#)
 open query [321](#)
 open query failure [320](#)
 OPNQFLRM [320](#)
 OPNQRYRM [321](#)
 permanent agent errors [312](#)
 QRYPOPRM [324](#)
 query previously opened [324](#)
 RDBAFLRM [326](#)
 RDBATHRM [327](#)
 RDBNACRM [328](#)

DRDA (Distributed Relational Database Architecture) *(continued)*

- DDM reply messages *(continued)*
 - RDBNFNRM [329](#)
 - RDBUPDRM [330](#)
 - release locks [332](#)
 - resource limits reached [333](#)
 - RLSERM [332](#)
 - RSCLMTRM [333](#)
 - SECCHKRM [334](#)
 - security check [334](#)
 - SQL error condition [335](#)
 - SQLERRRM [335](#)
- DDM reply objects
 - access security [311](#)
 - ACCSECRD [311](#)
 - exchange server attributes [317](#)
 - EXCSATRD [317](#)
 - QRYDSC [323](#)
 - QRYDTA [323](#)
 - query answer set data [323](#)
 - query answer set description reply object [323](#)
- deallocating database [271](#)
- DEALLOCDB command [271](#)
- DEALLOCDBRM reply message [314](#)
- DL/I function [273](#)
- DLIFUNC command object [273](#)
- end of query reply message [315](#)
- end unit of work reply message [316](#)
- ENDQRYRM reply message [315](#)
- ENDUOWRM reply message [316](#)
- exchange server attributes [275](#), [317](#)
- EXCSAT command [275](#)
- EXCSATRD reply object [317](#)
- EXCSQLIMM command [276](#)
- executing immediate SQL [276](#)
- field entry [282](#)
- FLDENTRY command object [282](#)
- IMS call reply message [318](#)
- IMSCALL command [283](#)
- IMSCALLRM reply message [318](#)
- INAIB command object [284](#)
- input AIB data [284](#)
- iopcbStream data structure [340](#)
- issuing an IMS call [283](#)
- not authorized to database reply message [327](#)
- open query failure reply message [320](#)
- open query reply message [321](#)
- opening a query [286](#)
- OPNQFLRM reply message [320](#)
- OPNQRY command [286](#)
- OPNQRYRM reply message [321](#)
- OUTAIBDBPCB parameter [342](#)
- OUTAIBIOPCB parameter [343](#)
- Output AIBDBPCB [342](#)
- output AIBIOPCB [343](#)
- permanent agent errors [312](#)
- QRYDSC reply object [323](#)
- QRYDTA reply object [323](#)
- QRYPOPRM reply message [324](#)
- query answer set data reply object [323](#)
- query answer set description reply object [323](#)
- query previously opened reply message [324](#)
- RDBAFLRM reply message [326](#)
- RDBATHRM reply message [327](#)
- RDBNACRM reply message [328](#)
- RDBNFNRM reply message [329](#)
- RDBUPDRM reply message [330](#)
- release locks reply message [332](#)
- releasing database locks [293](#)
- reply messages [308](#)
- resource limits reached reply message [333](#)
- RLSE command [293](#)
- RLSERM reply message [332](#)
- RSCLMTRM reply message [333](#)
- RTRVFLD command object [294](#)
- SECCHK command [295](#)
- SECCHKRM reply message [334](#)
- security access [267](#)
- security check [295](#)
- security check reply message [334](#)
- SQL error condition reply message [335](#)
- SQLERRRM reply message [335](#)
- SSA object list [307](#)
- SSALIST command object [307](#)

DRDA (Distributed Relational Database Architecture) Specification

- AIBOALEN parameter [336](#)
- AIBRSNM1 parameter [337](#)
- AIBRSNM2 parameter [337](#)
- AIBSFUNC parameter [338](#)
- RDBNAM parameter [344](#)
- SECCHK command [295](#)
- security check [295](#)
- SSA parameter [344](#)
- SSACOUNT parameter [345](#)
- UPDCNT parameter [345](#)

DROP DATABASE statement

- description [746](#)

DROP PROGRAMVIEW statement

- description [747](#)

DROP TABLE statement

- description [747](#)

DROP TABLESPACE statement

- description [748](#)

DSCA (default system control area)

- autopaged output [503](#)
- description [486](#)
- destroying screen format [496](#)
- ERASE/DO NOT ERASE option [432](#)
- use [515](#)

DSN (data structure name) [508](#)

DSSHDR syntax [264](#)

dynamic attribute modification, output message formats

- default attributes [487](#)
- specifying extended field attributes [433](#)

dynamic modification of EGCS data [435](#)

dynamic SQL

- description [602](#)
- EXECUTE statement [749](#)
- execution [603](#)
- INTO clause
 - DESCRIBE statement [745](#)
- invocation of SELECT statement [604](#)

dynamic SQL (*continued*)
preparation [603](#)
SQLIMSDA [775](#)
dynamically backing out changes [188](#), [189](#)

E

E (COMPARE) statement [242](#)
EATTR= operand (DFLD statement)
example [435](#)
use [487](#)
EBCDIC format [471](#)
edit routines, IMS-supplied
field edit routine [471](#)
EGCS (extended graphic character set)
/EBCDIC data, dynamic modification [435](#)
description [487](#)
modifying data [440](#)
SO/SI framing characters [489](#)
use with selector pen [426](#)
END call function [240](#)
end multiple page input request [510](#)
ending a logical unit of work [156](#), [195](#)
ENDMPPI request [510](#)
ENDQRYRM reply message
format [315](#)
ENDUOWRM reply message
format [316](#)
environment (REXX)
address [349](#), [350](#)
determining [351](#)
DL/I calls (general information)
REXXTDLI [350](#)
extended [350](#)
erase all unprotected option (SCA/DSCA) [411](#)
error
during update [771](#)
ERROR key [480](#)
establishing a starting position in a database [169](#)
examples
ACCEPT command [155](#)
CHKP (Checkpoint) command [156](#)
D command code [201](#)
DEQ (Dequeue) command [157](#)
DFSDDLTO statements
COMMENT [241](#)
DATA/PCB COMPARE [246](#)
DD [258](#)
DL/I call functions [232](#)
IGNORE [248](#)
OPTION [249](#)
PUNCH [250](#)
STATUS [252](#)
SYSIN, SYSIN2, and PREINIT [259](#)
WTO [256](#)
WTOR [256](#)
DFSREXXU user exit routine [348](#)
DLET (Delete) command [158](#)
GN (Get Next) command [159](#)
GNP (Get Next in Parent) command [164](#)
GU (Get Unique) command [169](#)
ISRT (Insert) command [174](#)
L command code [204](#)
LOAD command [179](#)

examples (*continued*)
LOG command [180](#)
N command code [205](#)
Null command code [210](#)
P command code [206](#)
QUERY command [182](#)
REFRESH command [182](#)
REPL (Replace) [183](#)
REPL (Replace) command [183](#)
RETRIEVE command [187](#)
ROLB (Rollback) command [188](#)
ROLL command [189](#)
ROLS (Rollback to SETS or SETU) command [190](#)
SCHD (Schedule) command [191](#)
SETS (Set a Backout Point) command [192](#)
STAT (Statistics) command [194](#)
SYMCHKP (Symbolic Checkpoint) command [195](#)
TERM (Terminate) command [196](#)
U Command Code [208](#)
V command code [210](#)
XRST (Extended Restart) command [197](#)
EXCSAT command
format [275](#)
EXCSATRD reply object
format [317](#)
EXCSQLIMM command [276](#)
EXCSQLSET command
format [280](#)
EXEC DLI
allowable commands [153](#)
commands
ACCEPT [155](#)
CHKP (Checkpoint) [156](#)
DEQ (Dequeue) [157](#)
DLET (Delete) [158](#)
GN (Get Next) [159](#)
GNP (Get Next in Parent) [164](#)
GU (Get Unique) [169](#)
ISRT (Insert) [174](#)
LOAD [179](#)
LOG [180](#)
POS (Position) [181](#)
QUERY [182](#)
REFRESH [182](#)
REPL (Replace) [183](#)
RETRIEVE [187](#)
ROLB (Rollback) [188](#)
ROLL [189](#)
ROLS (Rollback to SETS or SETU) [190](#)
SCHD (Schedule) [191](#)
SETS (Set a Backout Point) [192](#)
SETU (Set a Backout Point Unconditionally) [193](#)
STAT (Statistics) [194](#)
SYMCHKP (Symbolic Checkpoint) [195](#)
TERM (Terminate) [196](#)
XRST (Extended Restart) [197](#)
EXEC DLI
syntax of commands [153](#)
program summary [154](#)
EXEC statement, operands
DEVCHAR= [521](#)
EXECIO
managing resources [349](#)
executable statement [602](#), [603](#)

- EXECUTE statement
 - description [749](#)
 - example [750](#)
- expression
 - row-value [597](#)
- extended attribute data
 - input message fields [473](#)
 - output devices, dynamic modification [487](#)
- extended commands [356](#)
- extended environment [350](#)
- extended functions [366](#)
- extended graphic character set [487](#)
- Extended Recovery Facility [496](#)
- Extended Restart (XRST)
 - with Symbolic Checkpoint (CHKP Symbolic) [35](#)
- Extended Restart (XRST) command
 - description [197](#)
 - example [197](#)
 - format [197](#)
 - options [197](#)
 - restrictions [197](#)
 - usage [197](#)

F

- Fast Path
 - FSA [8](#)
- FEAT= operand (DEV statement), specifying [408](#)
- FETCH statement
 - description [750](#)
 - example [751](#)
- field edit exit routine
 - use [471](#)
- field edit routine
 - about [471](#)
 - designing [473](#)
 - DFSME000 [471](#)
 - using [473](#)
 - using edit routines, IMS-supplied
 - segment edit routine [471](#)
- field format
 - input message [425](#)
 - output message [429](#)
- field name
 - FSA [8](#)
- field names
 - qualified [595](#)
- field search argument (FSA)
 - connector [8](#)
 - field name [8](#)
 - Op code [8](#)
 - operand [8](#)
 - reference [8](#)
 - status code [8](#)
- field tab
 - example [474](#)
- fields
 - changing the values of a segment's [183](#)
- fill characters
 - DPAGE
 - FILL= operand [454](#)
 - input message fields
 - MFS treatment [473](#)
 - output device fields

- fill characters (*continued*)
 - output device fields (*continued*)
 - MFS treatment [485](#)
 - specifying [454](#)
- FILL= operand
 - DPAGE statement, specifying [454](#)
 - multiple physical pages, input messages
 - specifying [454](#)
- Fill=NULL [471](#)
- FIN (Finance Communication System)
 - workstation
 - entering and exiting formatted mode [462](#)
 - FTABs [474](#)
 - input modes [473](#)
 - physical page positioning [454](#)
- Finance Communication System [462](#)
- FIRST insert rule [174](#)
- FIRST insert rule, L command code [204](#)
- FLD (Field) call
 - format [8](#)
 - FSAs [8](#)
 - parameters [8](#)
 - summary [1](#)
 - usage [8](#)
- FLD call function [228](#)
- FLDENTRY command object [282](#)
- FLDENTRYREL command object (X'CCOC') [283](#)
- FLOAT
 - data type
 - description [590](#)
- floating-point
 - constants [594](#)
 - double precision number [590](#)
- force format write option (SCA/DSCA) [411](#)
- format library member selection [408](#)
- format set
 - IMS-provided format sets [518](#)
- format, message
 - input
 - device-dependent considerations [426](#), [431](#)
 - output [419](#)
 - output device-dependent considerations [428](#), [431](#)
- formats
 - ACCEPT command [155](#)
 - CHKP (Checkpoint) command [156](#)
 - DEQ (Dequeue) command [157](#)
 - DLET (Delete) command [158](#)
 - GN (Get Next) command [159](#)
 - GNP (Get Next in Parent) command [164](#)
 - GU (Get Unique) command [169](#)
 - ISRT (Insert) command [174](#)
 - LOAD command [179](#)
 - LOG command [180](#)
 - POS (Position) command [181](#)
 - QUERY command [182](#)
 - REFRESH command [182](#)
 - REPL (Replace) command [183](#)
 - RETRIEVE command [187](#)
 - ROLB (Rollback) command [188](#)
 - ROLL command [189](#)
 - ROLS (Rollback to SETS or SETU) command [190](#)
 - SCHD (Schedule) command [191](#)
 - SETS (Set a Backout Point) command [192](#)

formats (*continued*)

- SETU (Set a Backout Point Unconditionally) command [193](#)
- STAT (Statistics) command [194](#)
- SYMCHKP (Symbolic Checkpoint) command [195](#)
- TERM (Terminate) command [196](#)
- XRST (Extended Restart) command [197](#)

FORS= operand (DEV statement), use for DPM [499](#)

framing characters (SO/SI) [489](#)

FROM clause

- DELETE statement [745](#)
- PREPARE statement [757](#)

FSA (field search argument)

- connector [8](#)
- field name [8](#)
- Op code [8](#)
- operand [8](#)
- reference [8](#)
- status code [8](#)

FTAB= operand (DEV statement)

- ALL [474](#)
- ALL parameter [475](#)
- defining [474](#)
- description [474](#)
- FORCE [474](#)
- forced FTABs, FORCE parameter [474](#)
- MIX [474](#)
- mixed FTABs, MIX parameter [474](#)
- with NULL=DELETE specified [476](#)

full format write [411](#)

full-function database

- PCBs and DL/I calls [216](#)
- segment release [206](#)

function

- aggregate
 - field name [594](#)

G

GB (end of database), return status code [201](#)

GCMD call

- description [88](#)
- format [88](#)
- parameters [88](#)
- restrictions [89](#)
- status codes [88](#)
- summary [75](#)
- usage [89](#)

GCMD call function [228](#)

GE (segment not found), return status code [201](#)

Get calls

- D command code [201](#)
- F command code [203](#)
- function [228](#)
- L command code [204](#)
- Null command code [210](#)
- P command code [206](#)
- Q command code [206](#)
- U Command Code [208](#)
- V command code [210](#)

Get Command (GCMD) call

- See GCMD call [88](#)

Get Hold Unique (GHU) description [16](#)

Get Message (GMSG) call

Get Message (GMSG) call (*continued*)

- description [37](#)
- format [37](#)
- parameters [37](#)
- restrictions [37](#)
- See GMSG call [120](#)

Get Next (GN) call

- description [11](#)
- format [11](#)

Get Next (GN) command

- description [159](#)
- examples [159](#)
- format [159](#)
- options [161](#)
- restrictions [159](#)
- usage [159](#)

get next call [89](#)

Get Next in Parent (GNP) call

- description [14](#)
- effect in parentage [14](#)
- format [14](#)
- hold form (GHNP) [14](#)
- parameters [14](#)
- SSA [14](#)
- usage
 - linking with previous DL/I calls [14](#)
 - processing with parentage [14](#)

Get Next in Parent (GNP) command

- description [164](#)
- examples [164](#)
- format [164](#)
- options [164](#)
- restrictions [164](#)
- usage [164](#)

Get System Contents Directory (GSCD) call

- description [39](#)
- format [39](#)
- parameters [39](#)
- usage [39](#)

get system contents directory call [122](#)

Get Unique (GU) call

- description [16](#)
- DL/I calls, database management
 - GHU call [16](#)
- format [16](#)
- hold form (GHU) [16](#)
- parameters [16](#)
- usage [16](#)

Get Unique (GU) command

- description [169](#)
- examples [169](#)
- format [169](#)
- Get Unique (GU) command
 - options [169](#)
- GU (Get Unique) command
 - options [169](#)
 - GU (Get Unique) command [169](#)
- restrictions [169](#)
- usage [169](#)

get unique call [90](#)

Get Unique Record (GUR) call

- description [19](#)
- format [19](#)

Get Unique Record (GUR) call (*continued*)

parameters [19](#)

usage [19](#)

getting IMS database statistics [194](#)

GHNP

call [14](#)

hold form [14](#)

GHU (Get Hold Unique), description [16](#)

GMSG call

description [37](#), [120](#)

format [37](#), [120](#)

parameters [37](#), [120](#)

restrictions [37](#), [120](#)

usage [37](#)

use [120](#)

GN (Get Next) call

format [11](#)

GN (Get Next) call

description [11](#)

GN (Get Next) command

description [159](#)

examples [159](#)

format [159](#)

options [161](#)

restrictions [159](#)

usage [159](#)

GN call

description [89](#)

format [89](#)

parameters [89](#)

restrictions [89](#)

summary [75](#)

usage [89](#)

GNP (Get Next in Parent) call

effect in parentage [14](#)

format [14](#)

GNP (Get Next in Parent) call

description [14](#)

hold form (GHNP) [14](#)

parameters [14](#)

SSA [14](#)

usage

linking with previous DL/I calls [14](#)

processing with parentage [14](#)

GNP (Get Next in Parent) command

description [164](#)

examples [164](#)

format [164](#)

options [164](#)

restrictions [164](#)

usage [164](#)

GO TO clause of WHENEVER statement [772](#)

GRAPHIC= operand (SEG statement)

use [483](#)

GSAM (generalized sequential access method)

PCBs and DL/I calls [216](#)

GSCD (Get System Contents Directory) call

format [39](#)

GSCD (Get System Contents Directory) call

description [39](#)

parameters [39](#)

usage [39](#)

GSCD call

description [122](#)

GSCD call (*continued*)

format [122](#)

parameters [122](#)

restrictions [122](#)

summary [74](#)

usage [122](#)

GU (Get Unique) call

description [16](#)

format [16](#)

Get Unique (GU) call

restrictions [16](#)

hold form (GHU) [16](#)

parameters [16](#)

restrictions [16](#)

usage [16](#)

GU (Get Unique) command

description [169](#)

examples [169](#)

format [169](#)

restrictions [169](#)

usage [169](#)

GU call

description [90](#)

format [90](#)

parameters [90](#)

restrictions [90](#)

summary [75](#)

usage [90](#)

GUR (Get Unique Record) call

description [19](#)

format [19](#)

Get Unique Record (GUR) call

restrictions [19](#)

parameters [19](#)

restrictions [19](#)

usage [19](#)

H

HDRCTL= operand (DIV statement), use [499](#)

HERE insert rule

F command code [203](#)

L command code [204](#)

hexadecimal constant [594](#)

hierarchic sequence [11](#)

host identifier [588](#)

host structure

description [596](#)

host variable

colon [595](#)

description [595](#)

FETCH statement [751](#)

input [595](#)

naming convention [588](#)

output [595](#)

PREPARE statement [758](#)

HTAB= operand (DEV statement)

use [497](#)

I

I/O area

for XRST [150](#)

I/O area (*continued*)

- in CHKP (symbolic) call [35](#)
- in GMSG call [37](#)
- in INIT call [41](#)
- in INQY call [47](#)
- Initialize (INIT) call
 - usage [41](#)
- length in CHKP (symbolic) call [35](#)
- returned
 - keywords [26](#)
 - map of [26](#)

I/O area format, AUTH call [76](#)

I/O PCB

- PCBs and DL/I calls [216](#)

ICAL call

- description [92](#)
- format [92](#)
- parameters [92](#)
- restrictions [92](#)
- return and reason codes [92](#)
- summary [74](#)
- usage [92](#)

ICMD call

- commands that can be issued [40](#), [123](#)
- description [40](#), [41](#), [123](#)
- format [40](#), [123](#)
- parameters [40](#), [123](#)
- restrictions [40](#), [123](#)
- use [40](#), [123](#)

identifier in SQL

- ordinary [588](#)

IGNORE (N or period (.)) statement [248](#)

IMS database statistics, obtaining [194](#)

IMS JDBC driversDatabaseMetaData interface

- methods supported [381](#), [385–387](#), [393](#)

IMS JDBC driversDriverManager interface

- methods supported [381](#), [385–387](#), [393](#)

IMS JDBC driversPreparedStatement interface

- methods supported [381](#), [385–387](#), [393](#)

IMS JDBC driversResultSetMetaData interface

- methods supported [381](#), [385–387](#), [393](#)

IMS JDBC driversStatement interface

- methods supported [381](#), [385–387](#), [393](#)

IMS TM

- password [473](#)

IMS Universal Database resource adapter

- Common Client Interface (CCI) API support [394](#)
- Connection
 - methods supported [394](#)
- ConnectionFactory
 - methods supported [394](#)
- ConnectionMetaData
 - methods supported [395](#)
- Interaction
 - methods supported [395](#)
- javax.resource.cci.ResultSetInfo
 - methods supported [396](#)
- LocalTransaction
 - methods supported [396](#)
- RecordFactory
 - methods supported [397](#)
- ResourceAdapterMetaData
 - methods supported [397](#)

IMS Universal JCA/JDBC driver

IMS Universal JCA/JDBC driver (*continued*)

- driver support for JDBC [379](#)

IMS Universal JDBC driver

- driver support for JDBC [379](#)
- ResultSet object
 - supported field constants [388](#)

IMS Universal JDBC driverClob interface

- methods supported [379](#), [385](#), [386](#)

IMS Universal JDBC driverDataSource interface

- methods supported [379](#), [385](#), [386](#)

IMS Universal JDBC driverParameterMetaData interface

- methods supported [379](#), [385](#), [386](#)

IMS-provided formats

- /DISPLAY command format [518](#)
- DFS057I block error message format [518](#)
- multisegment format [518](#)
- multisegment system message format [518](#)
- output message default format [518](#)
- system message format [518](#)

IMS.FORMAT

- member selection [408](#)

IMS.RESLIB [521](#)

IMSCALL command

- format [283](#)

IMSCALLRM reply message

- format [318](#)

IMSQUERY extended function

- arguments [366](#)
- usage [366](#)

IMSRXTRC command [356](#), [358](#)

IN

- predicate [599](#)

INAIB command object

- format [284](#)

INCLUDE statement

- description [752](#)
- example [752](#)
- SQLIMSCA
 - COBOL [775](#)
- SQLIMSDA
 - COBOL [778](#)

indicator variable

- description [595](#)

infinite loop, stopping [377](#)

INIT (Initialize) call

- automatic INIT DBQUERY [41](#)
- call function [228](#)
- database availability, determining [41](#)
- enabling data availability, status codes [41](#)
- enabling deadlock occurrence, status codes [41](#)
- format [41](#)
- I/O PCB
 - in INIT call [41](#)
- INIT (Initialize) call
 - description [41](#)
- INIT STATUS GROUPA [41](#)
- INIT STATUS GROUPB [41](#)
- INIT STATUS RSA12 [41](#)
- parameters [41](#)
- performance [41](#)
- restrictions [41](#)
- status codes
 - DB PCB, for [41](#)
- usage [41](#)

INIT (Initialize) call *(continued)*
 using with DBQUERY [41](#)
 VERSION function [41](#)

INIT call
 description [125](#)
 determining data availability [126](#)
 format [125](#)
 parameters [125](#)
 performance considerations [125](#)
 summary [74](#)
 usage [125](#)

Initialize (INIT) call
 automatic INIT DBQUERY [41](#)
 database availability, determining [41](#)
 description [41](#)
 enabling data availability, status codes [41](#)
 enabling deadlock occurrence, status codes [41](#)
 format [41](#)
 INIT STATUS GROUPA [41](#)
 INIT STATUS GROUPB [41](#)
 INIT STATUS RSA12 [41](#)
 parameters [41](#)
 performance [41](#)
 restrictions [41](#)
 status codes [41](#)
 using with DBQUERY [41](#)
 VERSION function [41](#)

initialize call [125](#)

input field tab (FTAB)
 See FTAB= operand (DEV statement) [474](#)

input host variable [595](#)

input message
 field attribute data [473](#)
 fill characters [473](#)
 formatting options [463](#)
 IMS TM password [473](#)
 input modes [473](#)
 input substitution character [479](#)
 literal fields [472](#)
 MFS formatting of [463](#)
 nonliteral fields [473](#)
 with multiple physical pages [479](#), [510](#)

input message field
 defining [473](#)
 record mode [473](#)
 stream mode [473](#)

input message format
 device-dependent information [426](#), [431](#)
 field and segment format [425](#)
 formatting options, examples [463](#)

input modes
 record mode
 description [473](#)
 process of record in [480](#)
 treatment of nulls [476](#)
 with ISC [480](#)
 stream mode
 description [473](#)
 process of record in [480](#)
 treatment of nulls [476](#)
 with ISC [480](#)

inquiry call [128](#)

INQY (Inquiry) call
 format [47](#)

INQY (Inquiry) call *(continued)*
 INQY (Inquiry) call
 description [47](#)
 map of INQY subfunction to PCB type [47](#)
 parameters [47](#)
 querying
 data availability [47](#)
 environment [47](#)
 PCB [47](#)
 program name [47](#)
 restriction [47](#)
 return and reason codes [47](#)
 usage [47](#)

INQY call
 description [128](#)
 format [128](#)
 querying
 LERUNOPT, using LERUNOPT subfunction [47](#)
 summary [74](#)

INQY call function [228](#)

INQY DBQUERY [47](#)

INQY ENVIRON, data output [47](#)

INQY FIND [47](#)

INQY PROGRAM [47](#)

Insert (ISRT) command
 description [174](#)
 examples [174](#)
 format [174](#)
 insert rules [174](#)
 options [174](#)
 restrictions [174](#)
 usage [174](#)

insert call [104](#)

insert rule [754](#)

INSERT statement
 description [752](#)

inserting
 declaration in a program [752](#)
 first occurrence of a segment [203](#)
 last occurrence [204](#)
 rows in a table [752](#)
 segments [23](#)

inserting a segment
 as first occurrence [203](#)
 as last occurrence [204](#)
 in sequence [201](#)
 path of segments [201](#)
 root [22](#)
 rules to obey [22](#)
 specifying rules [22](#)

INTEGER
 data type
 large [590](#)
 small [590](#)

integer constants [593](#)

interactive SQL [586](#)

intersystem communication [461](#)

INTO clause
 DESCRIBE statement [746](#)
 FETCH statement [751](#)
 INSERT statement [754](#)

INTO DESCRIPTOR clause
 FETCH statement [751](#)

iopcbStream data structure

iopcbStream data structure (*continued*)

format [340](#)

ISC (intersystem communication)

ATTACH FM header [446](#), [503](#)

blocking algorithms [503](#)

entering and exiting formatted modes [461](#)

increasing performance [421](#)

input format control

input modes [480](#)

MFS definitions [424](#)

output format control

data structure name [508](#)

for paging messages [503](#)

trailing blank compression [505](#)

output modes [503](#)

subsystem definition [461](#)

use of DPN field [408](#), [461](#)

use of RDPN field [408](#), [461](#)

ISRT (Insert) call

D command code [201](#)

F command code [203](#)

format [22](#)

ISRT (Insert) call

description [22](#)

L command code [204](#)

loading a database [204](#)

parameters [22](#)

RULES parameter [203](#)

SSA [22](#)

ISRT (Insert) command

description [174](#)

examples [174](#)

format [174](#)

insert rules [174](#)

options [174](#)

restrictions [174](#)

usage [174](#)

ISRT call

description [104](#)

format [104](#)

parameters [104](#)

restrictions [104](#)

Spool API functions [104](#)

summary [75](#)

usage [104](#)

ISRT call function [228](#)

Issue Command (ICMD) call

See ICMD call [40](#), [123](#)

issuing

a basic checkpoint [156](#)

an extended restart [197](#)

IVPREXX exec [377](#)

IVPREXX sample application [377](#)

J

Java API specification

for IMS Universal drivers [397](#)

Java reference

for IMS solutions for Java development [379](#)

JCL (job control language), requirements [257](#), [259](#)

JDBC

methods supported

Connection [379](#)

justification

of input messages [463](#)

K

keyboard shortcuts [xi](#)

keys

concatenated [200](#)

keyword, SYSSERVE [153](#)

L

L (CALL) statement [219](#)

LAST insert rule [174](#)

last inserted sequential dependent segment, retrieving the location of the [181](#)

legal notices

notices [781](#)

trademarks [781](#), [782](#)

length attribute of column [591](#)

length field [464](#)

letter, description in IMS [587](#)

limiting

number of full-function database calls [206](#)

literal [593](#)

literal fields

input message, default literals [472](#)

output message

system literals [487](#)

LOAD command

description [179](#)

example [179](#)

format [179](#)

options [179](#)

usage [179](#)

location of a dependent segment, retrieving the [181](#)

lock

during update [771](#)

lock class and Q command code [206](#)

LOCKCLASS option [157](#)

LOG (Log) call

format [58](#)

LOG (Log) call

description [58](#)

parameters [58](#)

restrictions [58](#)

usage [58](#)

LOG call

description [142](#)

examples [142](#)

format [142](#)

on LOG I/O area [142](#)

parameters [142](#)

restrictions [142](#)

restrictions on I/O area [142](#)

summary [74](#)

usage [142](#)

LOG call function [228](#)

LOG command

example [180](#)

format [180](#)

LOG command

- LOG command (*continued*)
 - LOG command (*continued*)
 - description [180](#)
 - options [180](#)
 - restrictions [180](#)
 - usage [180](#)
- logical operator [600](#)
- logical page advance request [510](#)
- logical page request [509](#)
- logical page. See LPAGELPAGE
 - input [471](#)
- logical unit of work, ending [156](#), [195](#)
- lowercase character folded to uppercase [587](#)
- LPAGE
 - input, conditional LPAGE selection [454](#)
 - output
 - format [428](#)
 - overview [471](#)

M

- M command code
 - examples [212](#)
 - subset pointers, moving forward [212](#)
- MAP definition (MAPDEF) [356](#), [359](#)
- map name [361](#)
- MAP reading (MAPGET) [356](#), [361](#)
- MAP writing (MAPPUT) [356](#), [362](#)
- MAPGET [361](#)
- mapping
 - MAPDEF [359](#)
 - MAPGET [361](#)
 - MAPPUT [362](#)
- MAXQ and Q command code [206](#)
- MDT (modified data tag) [496](#)
- message advance protect [510](#)
- message advance request [510](#)
- message calls
 - call summary [74](#)
- Message Format Buffer Pool [411](#)
- Message Format Service (MFS)
 - 3270 or SLU 2 display devices [406](#), [420](#)
 - control blocks
 - Finance or SLU P workstations [407](#)
 - output messages
 - format control for 3270P printers [499](#)
 - MFS bypass for SLU 2 (3290) [445](#)
 - specifying descriptor name [443](#)
 - paging action at device [510](#)
 - programmed symbol buffers
 - determining if loaded [422](#)
- message formatting options
 - input
 - description [463](#)
 - examples [463](#)
 - performance factors [419](#)
 - output
 - description [483](#)
 - effects on segments [429](#)
 - performance factors [419](#)
- MFLD (message field statement)
 - FILL=NULL [471](#)
 - function [463](#)
- MFS (Message Format Service)

- MFS (Message Format Service) (*continued*)
 - control blocks
 - Finance or SLU P workstations [407](#)
 - how input messages are formatted by MFS [463](#)
 - input message
 - formats [463](#)
 - output message
 - field format options [430](#)
 - format control for ISC [504](#)
 - formatting [482](#)
 - modifying EGCS data [440](#)
 - processing output message [482](#)
- MFS bypass
 - printer byte restriction [443](#)
 - protected and unprotected messages [515](#)
 - specifying for 3270 or SLU 2 [443](#)
 - specifying for 3290 with partitioning [444](#)
- MFS Device Characteristics table (DFSUDT0x), description [521](#)
- MFS language utility
 - construction of member names [408](#)
 - treatment of EGCS input/output [489](#)
- MID (message input descriptor)
 - input formatting functions [463](#)
 - relationship to other control blocks [401](#)
- MOD (message output descriptor)
 - associated MFS functions [482](#)
 - name specification [441](#)
 - relationship to other control blocks [401](#)
- modified data tag (MDT) [496](#)
- MONITORRD command
 - format [286](#)
- MSDB (main storage database)
 - PCBs and DL/I calls [216](#)
- MULT= operand (DPAGE statement), specifying [454](#)
- multiple physical pages, input messages
 - description [479](#)
 - terminating (ENDMPPI request) [510](#)
- multisegment format [518](#)

N

- N command code [205](#)
- NA [41](#)
- NAME parameter
 - ALTER DATABASE statement [612](#)
 - CREATE DATABASE statement [662](#)
- names, prepared SQL statements [744](#)
- naming convention
 - SQL [588](#)
- NEXTLP request
 - description [510](#)
 - operator control table function [509](#)
- NEXTMSG request
 - description [510](#)
- NEXTMSGP request
 - description [510](#)
- NEXTPP request
 - use [510](#)
- nonexecutable statement [602](#), [603](#)
- nonliteral input fields
 - defining [473](#)
- NOT FOUND clause of WHENEVER statement [772](#)

NU [41](#)

null

- coding in COBOL [429](#)
- compression
 - example [464](#)
 - specifying [446](#)
- deleting on input (DPM) [476](#)
- fill character
 - input message fields [463](#)
 - output device fields [485](#)
- segment, output [428](#)
- transmitting to IMS TM [476](#)
- truncating fields with [483](#)

Null command code [210](#)

null value

- assignment [592](#)
- description [590](#)
- specified by indicator variable [595](#)

NULL= operand (DIV statement)

- example [476](#)
- options [476](#)
- specifying [446](#)

numbers in SQL [590](#)

numeric

- data type [590](#)

NUMERIC data type

- description [590](#)

O

O (OPTION) Statement [249](#)

obtaining

- IMS database statistics [194](#)
- recent information from the DIB [182](#)
- status code [182](#)

OFTAB= operand (DIV statement), specifying [446](#)

OFTAB= operand (DPAGE statement), specifying [454](#)

OID [496](#)

online performance [419](#)

op code [8](#)

OPEN

statement

- description [755](#)
- example [757](#)

OPEN (Open) call

format [25](#)

- OPEN (Open) call
 - description [25](#)

usage [25](#)

Open Transaction Manager Access

Callable Interface (C/I)

- otma_alloc API [531](#)
- otma_close API [542](#)
- otma_create API [526](#)
- otma_free API [541](#)
- otma_open API [528](#)
- otma_openx API [529](#)
- otma_receive_async API [540](#)
- otma_send_async API [536](#)
- otma_send_asyncx API [539](#)
- otma_send_receive API [532](#)
- otma_send_receivex API [534](#)
- otma_send_receivey API [535](#)
- sample programs [543](#)

Open Transaction Manager Access (*continued*)

CHNG call [80](#)

PURG call [107](#)

SETO call [109](#)

operand

FSA [8](#)

operation parameter, SNAP external call [66](#)

operator control of MFS [508](#)

operator control tables

functions

ENDMPPI request [510](#)

NEXTLP request [510](#)

NEXTMSG request [510](#)

NEXTMSGP request [510](#)

NEXTTPP request [510](#)

operator logical paging

description [484](#), [509](#)

format design considerations [509](#)

in partitioned format mode, [3180](#) [518](#)

in partitioned format mode, [3290](#) [516](#)

transaction codes and page requests [509](#)

OPNQFLRM reply message

format [320](#)

OPNQRY command

format [286](#)

OPNQRYRM reply message

format [321](#)

OPTION statement [249](#)

options

ACCEPT command [155](#)

CHKP (Checkpoint) command [156](#)

DEQ (Dequeue) command [157](#)

DLET (Delete) command [158](#)

GN (Get Next) command [161](#)

GNP (Get Next in Parent) command [164](#)

ISRT (Insert) command [174](#)

LOAD command [179](#)

LOCKCLASS [157](#)

LOG command [180](#)

POS (Position) command [181](#)

QUERY command [182](#)

REFRESH command [182](#)

REPL (Replace) command [183](#)

RETRIEVE command [187](#)

ROLB (Rollback) command [188](#)

ROLL command [189](#)

ROLS (Rollback to SETS or SETU) command [190](#)

SCHD (Schedule) command [191](#)

SETS (Set a Backout Point) command [192](#)

SETU (Set a Backout Point Unconditionally) command [193](#)

STAT (Statistics) command [194](#)

SYMCHKP (Symbolic Checkpoint) command [195](#)

TERM (Terminate) command [196](#)

XRST (Extended Restart) command [197](#)

options list parameter

CHNG call

advanced print function [80](#)

APPC [84](#)

SETO call

advanced print function [109](#)

APPC [109](#)

OPTIONS= operand (DIV statement)

effects on performance [421](#)

OPTIONS= operand (DIV statement) *(continued)*
 specifying [446](#)
 use [499](#)
 use with ISC [503](#)
 OR truth table [600](#)
 ordinary identifier in SQL [588](#)
 ORIGIN= operand (DPAGE statement), specifying [454](#)
 OTMA C/I
 hints and tips [525](#)
 OTMA C/Iwarranty
 sample programs [543](#)
 otma_alloc API [531](#)
 otma_close API [542](#)
 otma_create API [526](#)
 otma_free API [541](#)
 otma_open API [528](#)
 otma_openx API [529](#)
 otma_receive_async API [540](#)
 otma_send_async API [536](#)
 otma_send_asyncx API [539](#)
 otma_send_receive API [532](#)
 otma_send_receivex API [534](#)
 otma_send_receivey API [535](#)
 OUTAIBDBPCB parameter [342](#)
 OUTAIBIOPCB parameter
 format [343](#)
 output device fields
 dynamic modification [431](#)
 for cursor positioning [431](#)
 output host variable [595](#)
 output message
 cursor positioning [495](#)
 default system control area [486](#)
 device field attributes [487](#)
 extended field attributes for devices [487](#)
 extended graphic character set (EGCS) [489](#)
 fill characters for device fields [485](#)
 formatting options
 description [483](#)
 header [461](#)
 how MFS formats messages [482](#)
 literal fields [487](#)
 mixed DBCS/EBCDIC fields [490](#)
 operator logical paging [484](#)
 physical paging [484](#)
 processing [482](#)
 prompt facility [496](#)
 system control area (SCA) [486](#)
 truncation [483](#)
 output message format
 default [518](#)
 device-dependent information [428](#), [431](#)
 overriding
 FIRST insert rule [204](#)
 HERE insert rule [203](#), [204](#)
 insert rules [22](#)

P

P command code [206](#)
 P processing option [201](#)
 page advance request [510](#)
 PAGE= operand (DEV statement)
 use [496](#)

PAGEREQ function [509](#)
 paging, operator logical
 description [509](#)
 format design considerations [509](#)
 in partitioned format mode, [3180](#) [518](#)
 in partitioned format mode, [3290](#) [516](#)
 transaction codes and page requests [509](#)
 PAGINGOP= operand (PDB statement), use [516](#)
 parameter marker
 description [758](#)
 EXECUTE statement [749](#)
 host variables in dynamic SQL [596](#)
 PREPARE statement [758](#)
 rules [758](#)
 parameters
 BKO execution [188](#)
 CHKPT=EOV [156](#)
 RULES [174](#)
 parentage, P command code [206](#)
 PART exec [371](#)
 partition
 activating [495](#)
 considerations for defining [412](#)
 defining [407](#)
 descriptor (PD) [407](#)
 descriptor block (PDB) [407](#)
 initialization options
 for the [3180](#) [518](#)
 for the [3290](#) [516](#)
 uses [412](#)
 partition set, description [407](#)
 PARTNAME exec [372](#)
 PARTNUM exec [372](#)
 password, IMS
 description [473](#)
 path call
 D command code [201](#)
 path command [183](#)
 PCB (program communication block)
 DL/I calls, relationship [216](#)
 DLIINFO call [357](#)
 PCB (schedule a PSB) call
 format [59](#)
 parameters [59](#)
 PCB (schedule a PSB) call
 description [59](#)
 usage [59](#)
 PCBINFO exec [369](#)
 PCHSEGTS [27](#)
 PCLBSGTS [27](#)
 PCSEGRS [27](#)
 PD statement (partition definition)
 use [407](#)
 PD= operand (DPAGE statement), specifying [454](#)
 PDB (partition descriptor block)
 function [407](#)
 language statements used to create
 PD [407](#)
 PAGINGOP= operand [516](#)
 performance factors
 3270 or SLU 2 [419](#)
 all devices [419](#)
 large screen 3270 or SLU 2 devices [420](#)
 period usage [354](#)

- physical page positioning (FIN) [454](#)
- physical paging
 - description [484](#)
 - specifying multiple input pages [454](#)
- PL/I segmentation APIs
 - DFSPWSH include files [565](#)
 - DFSQGETS [565](#)
 - DFSQGETS API [572](#)
 - DFSQSETS [565](#)
 - DFSQSETS API [575](#)
 - DFSXGETS [565](#)
 - DFSXGETS API [577](#)
 - DFSXSETS [565](#)
 - DFSXSETS API [579](#)
 - overview [565](#)
 - return codes [582](#)
- POS (Position) call
 - examples [26](#)
 - format [26](#)
 - I/O area [26](#)
 - parameters [26](#)
 - POS (Position) call
 - description [26](#)
 - unqualified
 - keywords [26](#)
 - usage [26](#)
- POS (Position) command
 - EXEC DLI command format [181](#)
 - format [181](#)
 - options [181](#)
 - POS (Position) command
 - description [181](#)
 - restriction [181](#)
 - usage [181](#)
- POS call function [228](#)
- position
 - establishing in database [16](#)
- Position (POS) command
 - description [181](#)
 - EXEC DLI command format [181](#)
 - format [181](#)
 - options [181](#)
 - restriction [181](#)
 - usage [181](#)
- position in the database, determining the current [187](#)
- precision of numbers
 - description [590](#)
 - determined by SQLMSLEN variable [777](#)
 - values for data types [590](#)
- predicate
 - basic [597](#)
 - BETWEEN [599](#)
 - description [597](#)
 - IN [599](#)
- PREINIT parameter, input restart [257](#)
- PREPARE statement
 - description [757](#)
 - example [758](#)
- prepared SQL statement
 - dynamically prepared by PREPARE [757](#)
 - executing [749](#)
 - identifying by DECLARE [744](#)
 - obtaining information
 - with DESCRIBE [745](#)
- prepared SQL statement (*continued*)
 - SQLIMSDA provides information [775](#)
- preset destination mode [461](#)
- print mode [496](#)
- printed page format control
 - bottom margin [497](#)
 - horizontal tabbing [497](#)
 - left margin position [497](#)
 - line density [497](#)
 - line width [497](#)
 - page depth [497](#)
 - top margin [497](#)
 - vertical tabbing [497](#)
- PRN= operand (DIV statement), specifying [446](#)
- processing
 - options
 - P (path) [201](#)
- program deadlock [41](#)
- program function keys (3270)
 - literals for master terminal format [520](#)
- program tab function
 - 3270 or SLU 2 [485](#)
 - fill character [411](#)
- programmed symbol
 - buffers [422](#)
 - feature [487](#)
 - solving problems [423](#)
- programmed symbols (PS)
 - buffers
 - determining if loaded [422](#)
 - loading [422](#)
- prompt facility for output messages [496](#)
- protecting the screen
 - PROTECT option [515](#)
- PRPSQLSTT command
 - format [291](#)
- PSB (program specification block)
 - in a CICS online program
 - scheduling a [191](#)
 - terminating a [196](#)
- PSSEGHWM [27](#)
- PT (program tab) function
 - 3270 or SLU 2 [485](#)
 - fill character [411](#)
- PUNCH statement [250](#)
- PURG call
 - and OTMA environment [107](#)
 - description [107](#)
 - format [107](#)
 - parameters [107](#)
 - restrictions [107](#)
 - Spool API [107](#)
 - summary [75](#)
 - usage [107](#)
- PURG call function [228](#)
- purge call [107](#)

Q

- Q command code
 - and the DEQ call [206](#)
 - example [206](#)
 - full function and segment release [206](#)
 - lock class [206](#)

Q command code (*continued*)

MAXQ [206](#)

QRYDSC reply object

format [323](#)

QRYDTA reply object

format [323](#)

QRYPOPRM reply message

format [324](#)

qualified field names [595](#)

QUERY command

example [182](#)

format [182](#)

options [182](#)

QUERY command

description [182](#)

restrictions [182](#)

usage [182](#)

question mark (?) [749](#)

R

R command code [212](#)

RCDCTL= operand (DIV statement)

specifying [446](#)

use [499](#)

RCMD call

description [60](#), [143](#)

format [60](#), [143](#)

parameters [60](#), [143](#)

restrictions [60](#), [143](#)

use [60](#), [143](#)

RDBAFLRM reply message

format [326](#)

RDBATHRM reply message

format [327](#)

RDBNACRM reply message

format [328](#)

RDBNAM parameter

format [344](#)

RDBNFNRM reply message

format [329](#)

RDBUPDRM reply message

format [330](#)

RDPN (return destination process name)

specifying in MFLD statement [446](#)

use on Finance or SLU P workstations [408](#)

use with ISC subsystem communication [461](#)

RDPN= operand (DIV statement), specifying [446](#)

record mode

description [473](#)

input example [477](#)

process of record in [480](#)

treatment of nulls [476](#)

with ISC [480](#)

REFRESH command

example [182](#)

format [182](#)

options [182](#)

REFRESH command

description [182](#)

restrictions [182](#)

usage [182](#)

releasing

a segment [157](#)

removing a segment and its dependents [158](#)

REPL (Replace) call

format [28](#)

N command code [205](#)

parameters [28](#)

REPL (Replace) call

description [28](#)

SSAs [28](#)

usage [28](#)

REPL (Replace) command

examples [183](#)

format [183](#)

REPL (Replace) command

description [183](#)

restrictions [183](#)

usage [183](#)

REPL call function [228](#)

Replace (REPL) command

description [183](#)

examples [183](#)

format [183](#)

options [183](#)

REPL (Replace) command

options [183](#)

restrictions [183](#)

usage [183](#)

replacing a segment [183](#)

requesting a catalog record

using GUR [19](#)

requesting a segment

using GU [16](#)

resetting a subpointer [213](#)

restart call [150](#)

Restart, Extended

position in database [71](#)

Restart, Extended (XRST)

description [71](#)

with Symbolic Checkpoint (CHKP Symbolic) [35](#)

restarting your program

XRST call [150](#)

restrictions

CHKP (Checkpoint) command [156](#)

DEQ (Dequeue) command [157](#)

DLET (Delete) command [158](#)

F command code [203](#)

GN (Get Next) command [159](#)

GNP (Get Next in Parent) command [164](#)

GU (Get Unique) command [169](#)

ISRT (Insert) command [174](#)

LOG command [180](#)

number of database calls and Fast Path [206](#)

POS (Position) command [181](#)

QUERY command [182](#)

REFRESH command [182](#)

REPL (Replace) command [183](#)

RETRIEVE command [187](#)

ROLB (Rollback) command [188](#)

ROLL command [189](#)

ROLS (Rollback to SETS or SETU) command [190](#)

SETS (Set a Backout Point) command [192](#)

SETU (Set a Backout Point Unconditionally) command

[193](#)

SYMCHKP (Symbolic Checkpoint) command [195](#)

XRST (Extended Restart) command [197](#)

- retrieval calls
 - D command code [201](#)
 - F command code [203](#)
 - L command code [204](#)
- RETRIEVE command
 - example [187](#)
 - format [187](#)
 - options [187](#)
 - restrictions [187](#)
 - RETRIEVE command
 - description [187](#)
 - usage [187](#)
- Retrieve Command (RCMD) call
 - See RCMD call [60](#), [143](#)
- retrieving
 - dependent segments sequentially [164](#)
 - dependents sequentially [14](#)
 - first occurrence of a segment [203](#)
 - last occurrence [204](#)
 - segments
 - Q command code, Fast Path [206](#)
 - Q command code, full function [206](#)
 - sequentially [201](#)
 - segments sequentially [159](#)
 - segments with D [201](#)
 - specific segments [169](#)
 - the location of a dependent segment [181](#)
 - the location of the last inserted sequential dependent segment [181](#)
- returning a status code [155](#)
- REXX
 - . (period) usage [354](#)
 - calls
 - return codes [351](#)
 - summary [351](#)
 - syntax [351](#)
 - commands
 - DL/I calls [350](#)
 - summary [350](#)
 - DL/I calls, example [351](#)
 - execs
 - DOCMD [373](#)
 - IVPREXX [377](#)
 - PART [371](#)
 - PARTNAME [372](#)
 - PARTNUM [372](#)
 - PCBINFO [369](#)
 - SAY [368](#)
 - IMSRXTRC, trace output [358](#)
 - issuing synchronous callout requests
 - default output area length [351](#)
 - ICAL [351](#)
 - input area [351](#)
 - output area [351](#)
- REXX, IMS adapter
 - . (period) usage [356](#)
 - address environment [349](#)
 - AIB, specifying [351](#)
 - description [347](#)
 - DFSREXX0 program [347](#), [377](#)
 - DFSREXX1 [347](#)
 - DFSREXXU user exit [347](#)
 - DFSRR00 [377](#)
 - diagram [348](#)
- REXX, IMS adapter (*continued*)
 - DL/I parameters [351](#)
 - environment [351](#)
 - example execs [368](#)
 - feedback processing [351](#)
 - I/O area [351](#)
 - installation [347](#)
 - IVPREXX exec [377](#)
 - IVPREXX PSB [349](#)
 - IVPREXX setup [349](#)
 - LLZZ processing [351](#)
 - LNKED requirements [347](#)
 - non-TSO/E [347](#)
 - PCB, specifying [351](#)
 - programs [347](#)
 - PSB requirements [347](#)
 - sample generation [349](#)
 - sample JCL [349](#)
 - SPA processing [351](#)
 - SRRBACK [347](#)
 - SRRCMIT [347](#)
 - SSA, specifying [351](#)
 - SYSEXEC DD [347](#), [349](#)
 - system environment [347](#), [349](#)
 - SYSTSIN DD [349](#)
 - SYSTSPRT DD [347](#), [349](#)
 - TSO environment [347](#)
 - TSO/E restrictions [347](#)
 - ZZ processing [351](#)
- REXXIMS commands
 - DLIINFO [356](#), [357](#)
 - IMSRXTRC [356](#), [358](#)
 - MAPDEF [356](#)
 - MAPGET [356](#)
 - MAPPUT [356](#), [362](#)
 - SET [356](#), [363](#)
 - SRRBACK [356](#), [364](#)
 - SRRCMIT [356](#), [364](#)
 - STORAGE [356](#), [364](#)
 - WTL [356](#), [365](#)
 - WTO [356](#), [365](#)
 - WTOR [356](#), [366](#)
 - WTP [356](#), [365](#)
- REXXTDLI commands [350](#)
- RLSE (Release locks) call
 - summary [1](#)
- RLSE (Release Locks) call
 - format [30](#)
 - parameters [30](#)
 - RLSE (Release Locks) call
 - description [30](#)
 - SSAs [30](#)
 - usage [30](#)
- RLSE command [293](#)
- RLSERM reply message
 - format [332](#)
- RMODE 24, AMODE 31, running user modules in [471](#)
- ROLB (Roll Back) call
 - ROLB (Roll Back) call
 - description [61](#)
- ROLB (Rollback) command
 - example [188](#)
 - format [188](#)
 - options [188](#)

ROLB (Rollback) command (*continued*)

restrictions [188](#)

ROLB (Rollback) command

description [188](#)

usage [188](#)

ROLB call

description [145](#)

format [145](#)

parameters [145](#)

restrictions [145](#)

summary [74](#)

usage [145](#)

ROLB call function [228](#)

ROLL (Roll) call

DL/I calls, system service

ROLL [62](#)

ROLL (Roll) call

description [62](#)

format [62](#)

roll back to SETS/SETU call [147](#)

ROLL call

description [146](#)

format [146](#)

parameters [146](#)

restrictions [146](#)

summary [74](#)

usage [146](#)

ROLL call function [228](#)

ROLL command

example [189](#)

format [189](#)

options [189](#)

restrictions [189](#)

ROLL command

description [189](#)

usage [189](#)

Rollback (ROLB) command

description [188](#)

example [188](#)

format [188](#)

options [188](#)

restrictions [188](#)

usage [188](#)

rollback call [145](#)

Rollback to SETS or SETU (ROLS) command

description [190](#)

examples [190](#)

format [190](#)

options [190](#)

restrictions [190](#)

usage [190](#)

ROLS (Roll Back to SETS) call

format [62](#)

parameters [62](#)

ROLS (Roll Back to SETS) call

description [62](#)

ROLS (Rollback to SETS or SETU) command

DB PCB

specifying [190](#)

examples [190](#)

format [190](#)

options [190](#)

restrictions [190](#)

ROLS (Rollback to SETS or SETU) command

ROLS (Rollback to SETS or SETU) command (*continued*)

ROLS (Rollback to SETS or SETU) command (*continued*)

description [190](#)

specifying the DB PCB [190](#)

usage [190](#)

ROLS call

description [147](#)

format [147](#)

parameters [147](#)

restrictions [147](#)

Spool API functions [148](#)

summary [74](#)

usage [147](#)

ROLS call function [228](#)

ROLX call function [228](#)

row

deleting [744](#)

inserting [752](#)

row-value expression [597](#)

RPRN (return primary resource name) [446](#)

RPRN= operand (DIV statement), specifying [446](#)

RSCLMTRM reply message

format [333](#)

RTRVFLD command object

format [294](#)

RTRVFLDREL Command object (X'CCOB') [295](#)

RULES parameter

FIRST, L command code [204](#)

HERE

F command code [203](#)

L command code [204](#)

RULES= [174](#)

S

S (STATUS) statement [252](#)

S command code

examples [213](#)

subpointer, resetting [213](#)

sample

code

asynchronous processing [552](#)

synchronous processing [543](#)

sample JCL [257](#)

sampleswarranty

OTMA C/I [543](#)

SAY exec [368](#)

SCA (system control area)

description [486](#)

device-dependent information [431](#)

specifying [431](#)

use [515](#)

scale of numbers

description [590](#)

SCHD (Schedule) command

example [191](#)

format [191](#)

options [191](#)

SCHD (Schedule) command

description [191](#)

usage [191](#)

Schedule (SCHD) command

description [191](#)

example [191](#)

Schedule (SCHD) command (*continued*)
 format [191](#)
 options [191](#)
 usage [191](#)
 scheduling a PSB in a CICS online program [191](#)
 screen formatting
 3180 [414](#)
 3270 or SLU 2
 erase all unprotected option [411](#)
 force format write option [411](#)
 3290
 logical units [412](#)
 partitions [412](#)
 SCS1 devices
 DEV statement [446](#)
 search condition
 description [600](#)
 order of evaluation [600](#)
 SECCHK command
 format [295](#)
 SECCHKRM reply message
 format [334](#)
 segment
 adding one sequentially [179](#)
 adding to a database [174](#)
 and its dependents, removing [158](#)
 releasing a [157](#)
 replacing [183](#)
 requesting using GU [16](#)
 retrieving sequentially [159](#)
 retrieving specific [169](#)
 sequential dependent
 retrieving the location of the last one inserted [181](#)
 segment edit routine
 use [471](#)
 segment format, output message
 restriction [429](#)
 SEGMLIST Command object (X'CC0A') [297](#)
 SELECT statement
 description [759](#)
 dynamic invocation [604](#)
 SELECT= operand (DPAGE statement), specifying [454](#)
 sequence
 hierarchy [11](#)
 sequence, indication for statements [257](#)
 sequential dependent segments
 retrieving the location of the last one inserted [181](#)
 sequentially retrieving
 dependent segments [164](#)
 segments [159](#)
 Set a Backout Point (SETS) command
 description [192](#)
 example [192](#)
 format [192](#)
 options [192](#)
 restrictions [192](#)
 usage [192](#)
 Set a Backout Point Unconditionally (SETU) command
 description [193](#)
 formats [193](#)
 options [193](#)
 restrictions [193](#)
 usage [193](#)
 set backout point call [148](#)
 set backout point unconditional call [148](#)
 SET clause of UPDATE statement [770](#)
 SET command (REXX) [356](#), [363](#)
 set options call [109](#)
 SET SUBFUNC command (REXX) [363](#)
 SET ZZ [363](#)
 SETO call
 and OTMA environment [109](#)
 description [109](#)
 format [109](#)
 parameters [109](#)
 restrictions [109](#)
 summary [74](#)
 usage [109](#)
 SETO call function [228](#)
 SETS (Set a Backout Point) call
 format [64](#)
 parameters [64](#)
 SETS (Set a Backout Point) call
 description [64](#)
 SETS (Set a Backout Point) command
 example [192](#)
 format [192](#)
 options [192](#)
 restrictions [192](#)
 SETS (Set a Backout Point) command
 description [192](#)
 usage [192](#)
 SETS call
 description [148](#)
 format [148](#)
 parameters [148](#)
 restrictions [148](#)
 Spool API functions [148](#)
 summary [74](#)
 usage [148](#)
 SETS call function [228](#)
 setting
 parentage with the P command code [206](#)
 subset pointer to zero [215](#)
 setting a backout point
 DL/I [192](#)
 unconditionally [193](#)
 SETU (Set a Backout Point Unconditional) call
 description [64](#)
 format [64](#)
 parameters [64](#)
 SETU (Set a Backout Point Unconditionally) command
 example [193](#)
 examples
 SETU (Set a Backout Point Unconditionally)
 command [193](#)
 formats [193](#)
 options [193](#)
 restrictions [193](#)
 Set a Backout Point Unconditionally (SETU) command
 example [193](#)
 SETU (Set a Backout Point Unconditionally) command
 description [193](#)
 usage [193](#)
 SETU call
 description [148](#)
 restrictions [148](#)
 Spool API functions [148](#)

SETU call (*continued*)
 summary [74](#)
 shift in (SI) control character [490](#)
 shift in (SI) framing character [489](#)
 shift out (SO) control character [490](#)
 shift out (SO) framing character [489](#)
 short string column [591](#)
 SKIP call function [240](#)
 SLDx= operand (DEV statement), use [497](#)
 SLU type 2
 default literal input message fields [472](#)
 defining IMS TM password [473](#)
 SNAP call
 format [65](#)
 parameters [65](#)
 SNAP call
 description [65](#)
 status codes [65](#)
 SNAP call function [228](#)
 SO/SI control characters
 blank suppress option [490](#)
 hex representation [490](#)
 pair verification [490](#)
 processing by MFS [490](#)
 use in mixed data field [490](#)
 SO/SI framing characters [489](#)
 space character [587](#)
 special character [587](#)
 specific segments, retrieving [169](#)
 Spool API
 functions [104](#)
 ISRT call [104](#)
 STORAGE command example [364](#)
 SQL (Structured Query Language)
 assignment operation [592](#)
 character [587](#)
 comparison operation [592](#)
 constants [593](#)
 data types
 character strings [591](#)
 datetime [591](#)
 description [588](#)
 numbers [590](#)
 dynamic [586](#)
 identifier [588](#)
 interactive [586](#)
 naming conventions [588](#)
 null value [590](#)
 ordinary identifier [587](#)
 static [585](#)
 token [587](#)
 value [588](#)
 variable names [588](#)
 SQL statements
 ALTER DATABASE
 description [605](#)
 ALTER TABLE
 description [619](#)
 ALTER TABLESPACE
 description [647](#)
 CLOSE [653](#)
 COMMENT ON
 description [654](#)
 CONTINUE [772](#)

SQL statements (*continued*)
 CREATE DATABASE
 description [656](#)
 CREATE PROGRAMVIEW
 description [669](#)
 CREATE TABLE
 description [686](#)
 CREATE TABLESPACE
 description [729](#)
 DECLARE CURSOR
 description [743](#)
 example [743](#)
 DECLARE STATEMENT [744](#)
 DELETE
 description [744](#)
 example [745](#)
 DESCRIBE OUTPUT [745](#)
 DROP DATABASE
 description [746](#)
 DROP PROGRAMVIEW
 description [747](#)
 DROP TABLE
 description [747](#)
 DROP TABLESPACE
 description [748](#)
 EXECUTE [749](#)
 FETCH
 description [750](#)
 example [751](#)
 INCLUDE
 description [752](#)
 example [752](#)
 SQLIMSCA [775](#)
 SQLIMSDA [778](#)
 INSERT
 description [752](#)
 invocation [602](#)
 OPEN
 description [755](#)
 example [757](#)
 operational form [585](#)
 PREPARE [757](#)
 SELECT [759](#)
 UPDATE
 description [769](#)
 example [771](#)
 WHENEVER [772](#)
 SQLATTR command
 format [298](#)
 SQLCARD command
 format [298](#)
 SQLCODE
 +100 [756](#)
 SQLDARD command
 format [300](#)
 SQLDTA command
 format [304](#)
 SQLERROR
 clause of WHENEVER statement [772](#)
 SQLERRRM reply message
 format [335](#)
 SQLIMSCA (SQL communication area)
 contents [773](#)
 entry changed by UPDATE [771](#)

SQLIMSCA (SQL communication area) *(continued)*
 INCLUDE statement [752](#)
 SQLIMSCABC field of SQLIMSCA [773](#)
 SQLIMSCAID field of SQLIMSCA [773](#)
 SQLIMSCODE
 +100 [604](#), [772](#)
 description [604](#)
 field of SQLIMSCA [773](#)
 SQLIMSD field of SQLIMSDA [776](#)
 SQLIMSDA
 header [776](#)
 SQLIMSDA (SQL descriptor area)
 clause of INCLUDE statement [752](#)
 contents [775](#)
 SQLIMSDABC field of SQLIMSDA [776](#)
 SQLIMSDAID field of SQLIMSDA [776](#)
 SQLIMSDATA field of SQLIMSDA [776](#)
 SQLIMSERRD(n) field of SQLIMSCA [773](#)
 SQLIMSERRM
 description [605](#)
 SQLIMSERRMC field of SQLIMSCA [773](#)
 SQLIMSERRML field of SQLIMSCA [773](#)
 SQLIMSERRP field of SQLIMSCA [773](#)
 SQLIMSIND field of SQLIMSDA [776](#)
 SQLIMSLen field of SQLIMSDA [776](#)
 SQLIMSN field of SQLIMSDA
 description [776](#)
 SQLIMSNAME field of SQLIMSDA [776](#)
 SQLIMSSTATE
 '02000' [772](#)
 description [604](#)
 field of SQLIMSCA [773](#)
 SQLIMSTYPE field of SQLIMSDA
 description [776](#)
 values [777](#)
 SQLIMSWARNn field of SQLIMSCA [773](#)
 SQLSTATE
 '02000' [756](#)
 SQLSTT command
 format [306](#)
 SQLWARNING clause
 WHENEVER statement [772](#)
 SRRBACK command (REXX)
 description [356](#)
 format, usage [364](#)
 SRRCMIT command (REXX)
 description [356](#)
 format, usage [364](#)
 SSA parameter [344](#)
 SSACOUNT parameter [345](#)
 SSALIST command object
 format [307](#)
 SSAs (segment search arguments)
 GN [11](#)
 usage
 DLET [7](#)
 GNP [14](#)
 ISRT [22](#)
 REPL [28](#)
 RLSE [30](#)
 STACK statement (language utility) [416](#)
 STAK call function [240](#)
 standard, SQL (ANSI/ISO)
 SQL-style comments [587](#)

START call function [240](#)
 starting position in a database, establishing a [169](#)
 STAT (Statistics) call
 format [68](#)
 parameters [68](#)
 STAT (Statistics) call
 description [68](#)
 usage [68](#)
 STAT (Statistics) command
 example [194](#)
 format [194](#)
 options [194](#)
 STAT (Statistics) command
 description [194](#)
 usage [194](#)
 STAT call function [228](#)
 statement
 naming convention [588](#)
 STATEMENT clause of DECLARE STATEMENT statement [744](#)
 static SQL
 description [602](#)
 Statistics (STAT) command
 description [194](#)
 example [194](#)
 format [194](#)
 options [194](#)
 usage [194](#)
 statistics, obtaining IMS database [194](#)
 status code
 GE (segment not found) [201](#)
 status codes
 GB, end of database [201](#)
 obtaining [182](#)
 returning a [155](#)
 STATUS statement [252](#)
 storage
 !token [364](#)
 STORAGE command [364](#)
 STORAGE command (REXX)
 description [356](#)
 format, usage [364](#)
 stream mode
 description [473](#)
 input example [478](#)
 process of record in [480](#)
 treatment of nulls [476](#)
 with ISC [480](#)
 string
 character [591](#)
 comparison [593](#)
 constant [594](#)
 fixed-length
 description [591](#)
 short [591](#)
 structured query language (SQL)
 result tables [585](#)
 SUB= operand (DEV statement)
 use [480](#)
 subset pointers
 M command [212](#)
 R command code [212](#)
 resetting [213](#)
 S command code [213](#)
 sample application [210](#)

- subset pointers (*continued*)
 - Z command code [215](#)
- substitution character [479](#)
- Summary
 - database management call [1](#)
 - system service calls [31](#)
- summary, EXEC DLI commands [154](#)
- Symbolic Checkpoint (CHKP Symbolic)
 - format [35](#)
 - parameters [35](#)
 - restrictions [35](#)
 - usage [35](#)
- Symbolic Checkpoint (SYMCHKP) command
 - description [195](#)
 - example [195](#)
 - format [195](#)
 - options [195](#)
 - restrictions [195](#)
 - usage [195](#)
- symbolic checkpoint call [118](#)
- Symbolic CHKP call
 - description [118](#)
 - format [118](#)
 - parameters [118](#)
 - restrictions [118](#)
 - summary [74](#)
 - usage [118](#)
- SYMCHKP (Symbolic Checkpoint) command
 - current position [195](#)
 - example [195](#)
 - format [195](#)
 - options [195](#)
 - restrictions [195](#)
 - SYMCHKP (Symbolic Checkpoint) command
 - description [195](#)
 - usage [195](#)
- SYNC (Synchronization Point) call
 - format [69](#)
 - parameters [69](#)
- SYNC (Synchronization Point) call
 - description [69](#)
 - usage [69](#)
- SYNC call
 - description [150](#)
 - format [150](#)
 - parameters [150](#)
 - restrictions [150](#)
 - summary [74](#)
 - usage [150](#)
- SYNC call function [228](#)
- synchronization call [150](#)
- syntax diagram
 - how to read [x](#)
- syntax of EXEC DLI commands [153](#)
- SYSIN input [257](#)
- SYSIN2 input processing [257](#)
- SYSSERVE keyword [153](#)
- system contents directory [122](#)
- system control area [486](#)
- system definition
 - 3270 master terminal format support [520](#)
 - considerations, with MFS [499](#)
- system literals
 - description [487](#)

- system log, writing information to the [180](#)
- system message format, IMS-provided [518](#)
- system service
 - ACCEPT [155](#)
 - CHKP (Checkpoint) [156](#)
 - command summary [153](#)
 - DEQ (Dequeue) [157](#)
 - LOAD [179](#)
 - LOG [180](#)
 - QUERY [182](#)
 - REFRESH [182](#)
 - ROLB (Rollback) [188](#)
 - ROLL [189](#)
 - ROLS (Rollback to SETS or SETU) [190](#)
 - SETS (Set a Backout Point) [192](#)
 - SETU (Set a Backout Point Unconditionally) [193](#)
 - STAT (Statistics) [194](#)
 - SYMCHKP (Symbolic Checkpoint) [195](#)
 - XRST (Extended Restart) [197](#)
- system service calls
 - APSB (Allocate PSB) [33](#)
 - CHKP (Basic) [34](#)
 - CHKP (Symbolic) [35](#)
 - DPSB (deallocate) [36](#)
 - GMSG (Get Message) [37](#)
 - ICMD (Issue Command) [40](#)
 - INIT (Initialize) [41](#)
 - INQY (Inquiry) [47](#)
 - LOG (Log) [58](#)
 - PCB (schedule a PSB) [59](#)
 - RCMD (Retrieve Command) [60](#)
 - ROLB (Roll Back) [61](#)
 - SETS/SETU (Set a Backout Point) [64](#)
 - SNAP [65](#)
 - STAT (Statistics) [68](#)
 - SYNC (Synchronization Point) [69](#)
 - TERM (Terminate) [70](#)
 - XRST (Extended Restart) [71](#)

T

- T (Comment) statement [241](#)
- tabbing
 - control characters [497](#)
 - field tabs [474](#)
 - horizontal [497](#)
 - vertical [497](#)
- table
 - naming convention [588](#)
 - result table [757](#)
- TERM (Terminate) call
 - format [70](#)
- TERM (Terminate) call
 - description [70](#)
 - usage [70](#)
- TERM (Terminate) command
 - example [196](#)
 - format [196](#)
 - options [196](#)
- TERM (Terminate) command
 - description [196](#)
 - usage [196](#)
- Terminate (TERM) command

Terminate (TERM) command *(continued)*
 description [196](#)
 example [196](#)
 format [196](#)
 options [196](#)
 usage [196](#)
 terminating a PSB in a CICS online program [196](#)
 test program [217](#)
 time
 data type [591](#)
 TIME
 data type
 description [591](#)
 timestamp
 data type [591](#)
 TIMESTAMP
 data type
 description [591](#)
 trademarks [781](#), [782](#)
 trailing blank compression [505](#)
 transaction code [509](#)
 translation, character
 for input messages
 using XX'3F' [480](#)
 for output messages
 device control characters [483](#)
 SUB= operand (DEV statement) [480](#)
 transmission chains [503](#)
 truncation
 of input messages [463](#)
 of output fields [483](#)
 TSO/E REXX [347](#)
 TYPE= operand (DEV statement), specifying [408](#)
 TYPE= operand (DIV statement)
 specifying [446](#)

U

U (Comment) statement [241](#)
 U Command Code [208](#)
 unconditionally setting a backout point [193](#)
 unit of work (UOW)
 ending a logical [156](#)
 unprotecting the screen
 UNPROTECT option [515](#)
 unqualified POS call
 I/O returned area
 key words [26](#)
 map of [26](#)
 keywords [26](#)
 UNSTACK statement (language utility) [416](#)
 UOW (unit of work)
 ending a logical [156](#)
 UPDATE
 statement
 description [769](#)
 example [771](#)
 update rule [771](#)
 updating
 rows in a table [769](#)
 UPDCNT parameter [345](#)
 usage
 ACCEPT command [155](#)
 CHKP (Checkpoint) command [156](#)

usage *(continued)*
 DEQ (Dequeue) command [157](#)
 GN (Get Next) command [159](#)
 GNP (Get Next in Parent) command [164](#)
 GU (Get Unique) command [169](#)
 ISRT (Insert) command [174](#)
 LOAD command [179](#)
 LOG command [180](#)
 POS (Position) command [181](#)
 QUERY command [182](#)
 REFRESH command [182](#)
 REPL (Replace) command [183](#)
 RETRIEVE command [187](#)
 ROLB (Rollback) command [188](#)
 ROLL command [189](#)
 ROLS (Rollback to SETS or SETU) command [190](#)
 SCHD (Schedule) command [191](#)
 SETS (Set a Backout Point) command [192](#)
 SETU (Set a Backout Point Unconditionally) command [193](#)
 STAT (Statistics) command [194](#)
 SYMCHKP (Symbolic Checkpoint) command [195](#)
 TERM (Terminate) command [196](#)
 XRST (Extended Restart) command [197](#)
 USING clause
 EXECUTE statement [749](#)
 OPEN statement [756](#)

V

V command code [210](#)
 V5SEGRBA [27](#)
 value
 SQL [588](#)
 VALUES clause
 INSERT statement [754](#)
 variable
 description [595](#)
 host
 referencing [595](#)
 SQL syntax [595](#)
 referencing [595](#)
 SQL syntax [595](#)
 substitution for parameter markers [749](#)
 VERSION
 function of INIT call [41](#)
 version identification
 description [508](#)
 for DPM formats [522](#)
 for SLU P [462](#)
 VSAM, STAT call [69](#)
 VT= operand (DEV statement)
 use [497](#)
 VTAB= operand (DEV statement)
 use [497](#)

W

W command code
 examples [214](#)
 WAITAOI [37](#)
 WHENEVER statement
 description [772](#)

WHENEVER statement (*continued*)
 example [772](#)
WIDTH= operand (DEV statement)
 use [497](#)
writing information to the system log [180](#)
WTL command (REXX)
 description [356](#)
 format, usage [365](#)
WTO command (REXX)
 description [356](#)
 format, usage [365](#)
WTO statement [256](#)
WTOR command (REXX)
 description [356](#)
 format, usage [366](#)
WTOR statement [256](#)
WTP command (REXX)
 description [356](#)
 format, usage [365](#)

X

XRF (Extended Recovery Facility)
 message format after takeover [496](#)
XRST (Extended Restart) [35](#)
XRST (Extended Restart) call
 XRST (Extended Restart) call
 description [71](#)
XRST (Extended Restart) command
 example [197](#)
 format [197](#)
 options [197](#)
 restrictions [197](#)
 usage [197](#)
 XRST (Extended Restart) command
 description [197](#)
XRST call
 description [150](#)
 format [150](#)
 parameters [150](#)
 restrictions [150](#)
 summary [74](#)
 usage [150](#)
XRST call function [228](#)

Z

Z command code
 examples [215](#)
 setting a subpointer to zero [215](#)
z/OS environment [349](#)



Product Number: 5635-A06
5655-DS5
5655-TM4